

# Repair Parts

116.879.AB.4

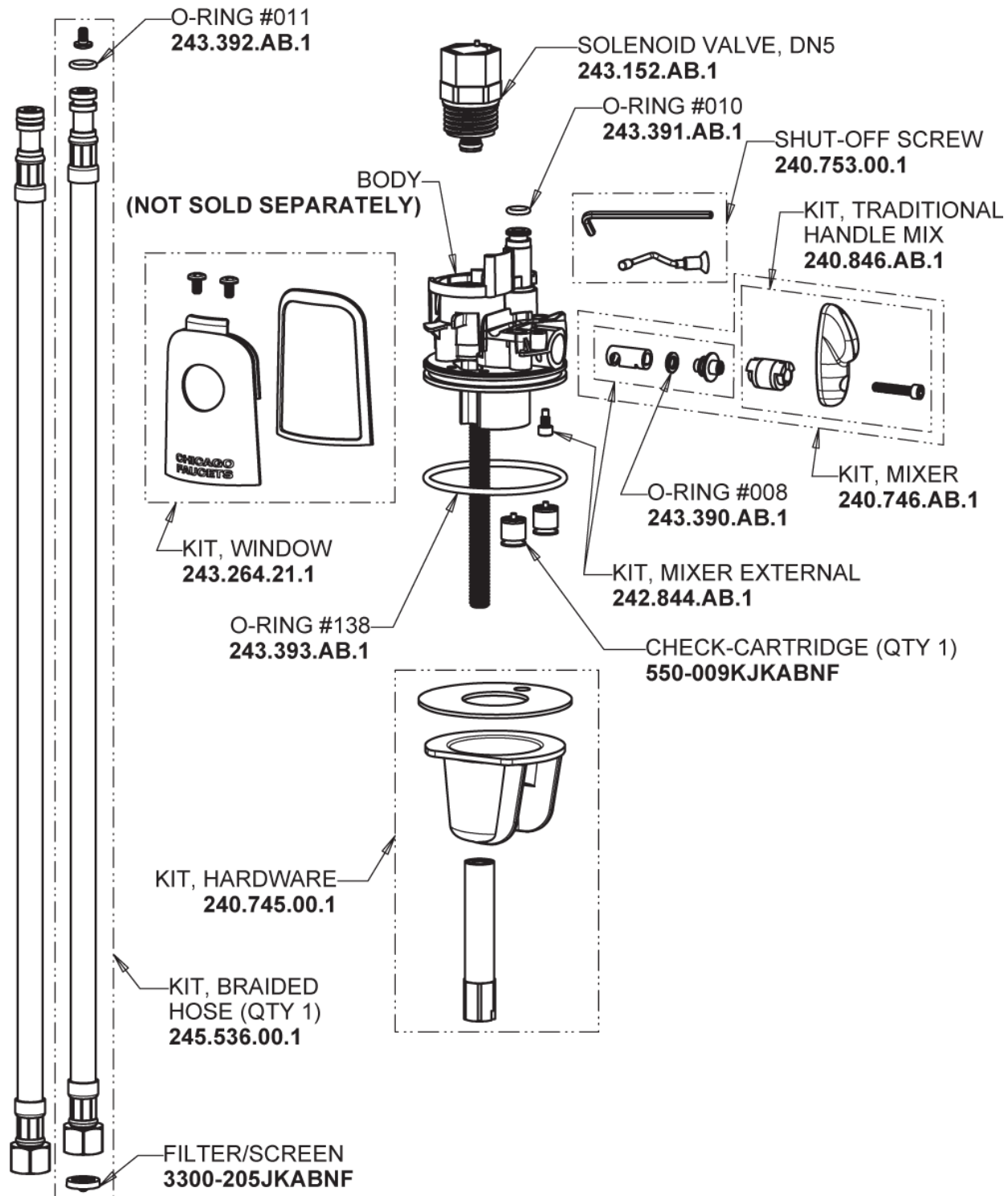
Touch-free, programmable faucet with above-deck electronics

# CHICAGO FAUCETS®

Geberit Group

HyTronic Base with User Temp Control

## Base Parts:



## For Technical Assistance:

Phone: 800-TEC-TRUE (832-8783)

Email: [techsupport.us@chicagofaucets.com](mailto:techsupport.us@chicagofaucets.com)

2100 South Clearwater Drive

Des Plaines, IL 60018

Phone: 847-803-5000

[chicagofaucets.com](http://chicagofaucets.com)

# Repair Parts

116.879.AB.4

Touch-free, programmable faucet with above-deck electronics

# CHICAGO FAUCETS®

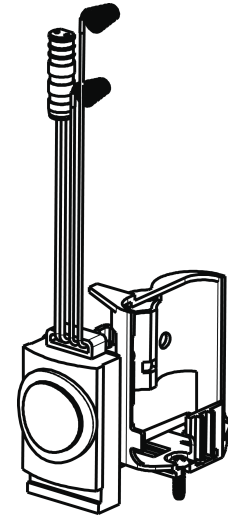
Geberit Group

HyTronic Curve Spout  
**242.798.AB.1**

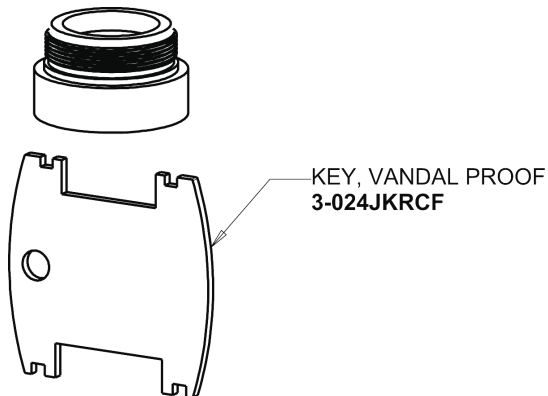


- FLOW CONTROL 1.5 GPM MAX  
**1020-006JKABNF**
- CHECK-CARTRIDGE  
**550-009JKABNF**
- O-RING #010  
**243.391.AB.1**

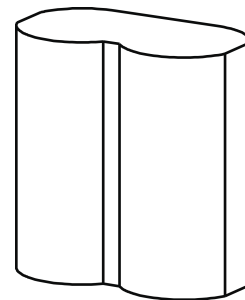
Electronic Module  
**242.574.00.1**



Vandal Proof Non-Aerating Laminar Stream Solidifier Outlet  
**242.757.AB.1**



CR-P2 6V Lithium Battery  
**242.560.00.1**



## For Technical Assistance:

Phone: 800-TEC-TRUE (832-8783)

Email: [techsupport.us@chicagofaucets.com](mailto:techsupport.us@chicagofaucets.com)

2100 South Clearwater Drive

Des Plaines, IL 60018

Phone: 847-803-5000

[chicagofaucets.com](http://chicagofaucets.com)