

# Repair Parts

116.877.AB.4

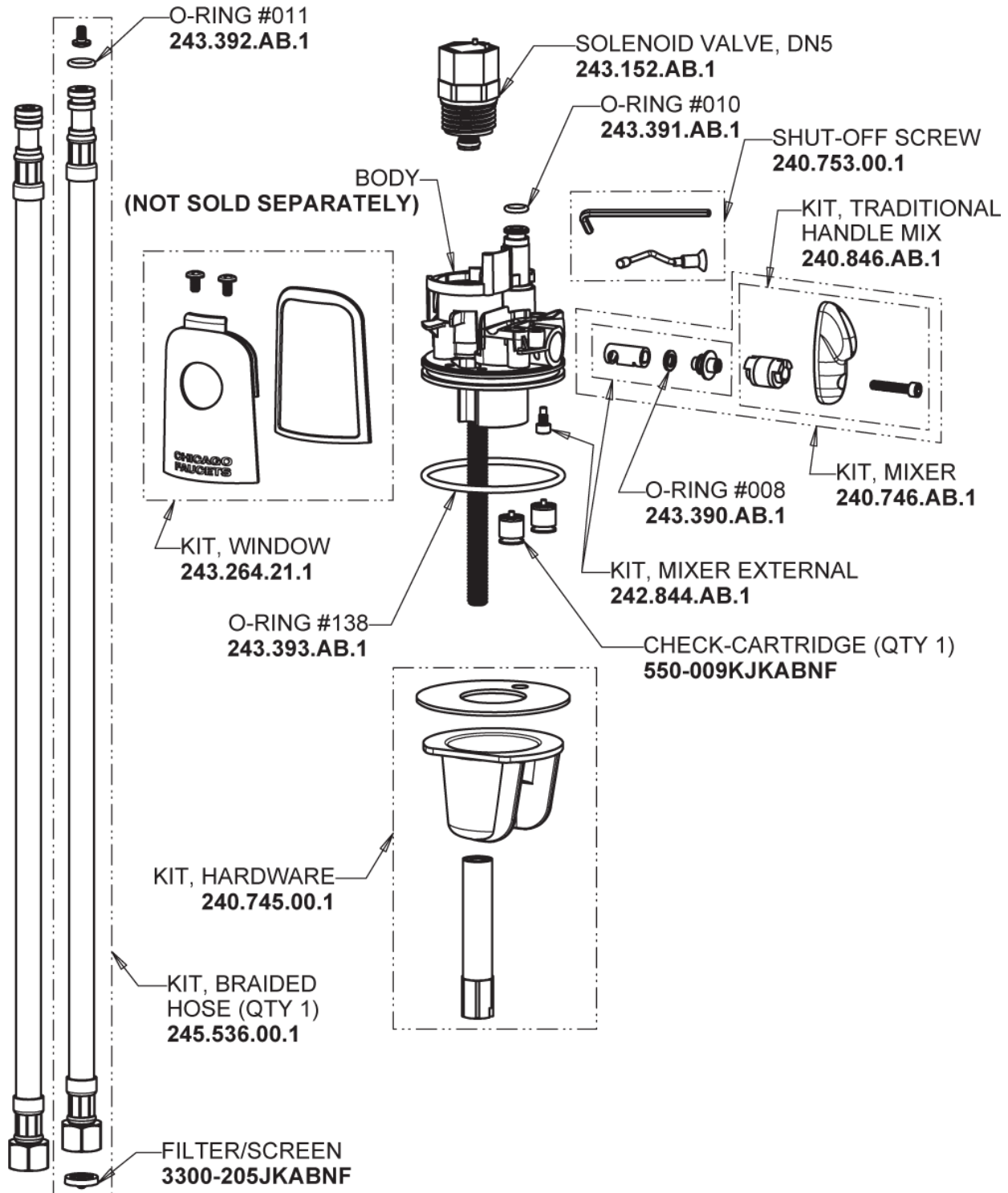
Touch-free, programmable faucet with above-deck electronics

# CHICAGO FAUCETS®

Geberit Group

HyTronic Base with User Temp Control

## Base Parts:



## For Technical Assistance:

Phone: 800-TEC-TRUE (832-8783)

Email: [techsupport.us@chicagofaucets.com](mailto:techsupport.us@chicagofaucets.com)

2100 South Clearwater Drive

Des Plaines, IL 60018

Phone: 847-803-5000

[chicagofaucets.com](http://chicagofaucets.com)

# Repair Parts

116.877.AB.4

Touch-free, programmable faucet with above-deck electronics

# CHICAGO FAUCETS®

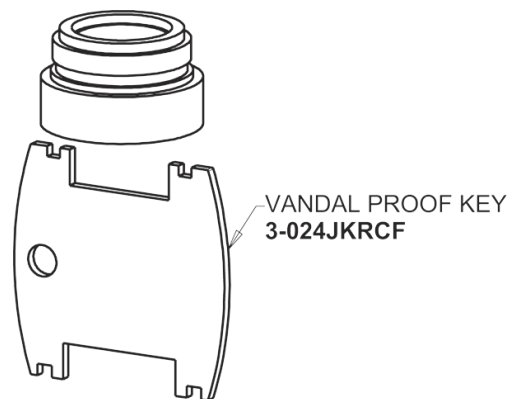
Geberit Group

HyTronic Curve Spout  
**242.798.AB.1**

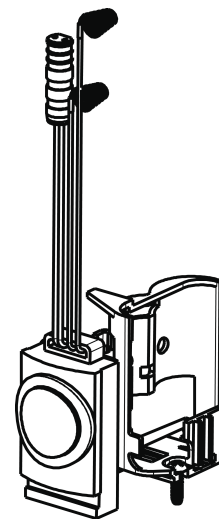


- FLOW CONTROL 1.5 GPM MAX  
**1020-006KJKABNF**
- CHECK-CARTRIDGE  
**550-009KJKABNF**
- O-RING #010  
**243.391.AB.1**

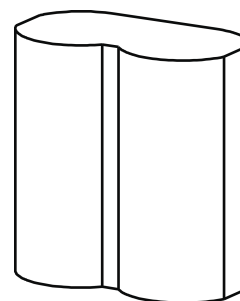
0.35 GPM (1.3 L/min) Vandal Proof Econo-Flo Non-Aerating  
Outlet  
**E39VPJKABCP**



Electronic Module  
**242.574.00.1**



CR-P2 6V Lithium Battery  
**242.560.00.1**



## For Technical Assistance:

Phone: 800-TEC-TRUE (832-8783)

Email: [techsupport.us@chicagofaucets.com](mailto:techsupport.us@chicagofaucets.com)

2100 South Clearwater Drive  
Des Plaines, IL 60018  
Phone: 847-803-5000  
[chicagofaucets.com](http://chicagofaucets.com)