

# Repair Parts

116.857.AB.1

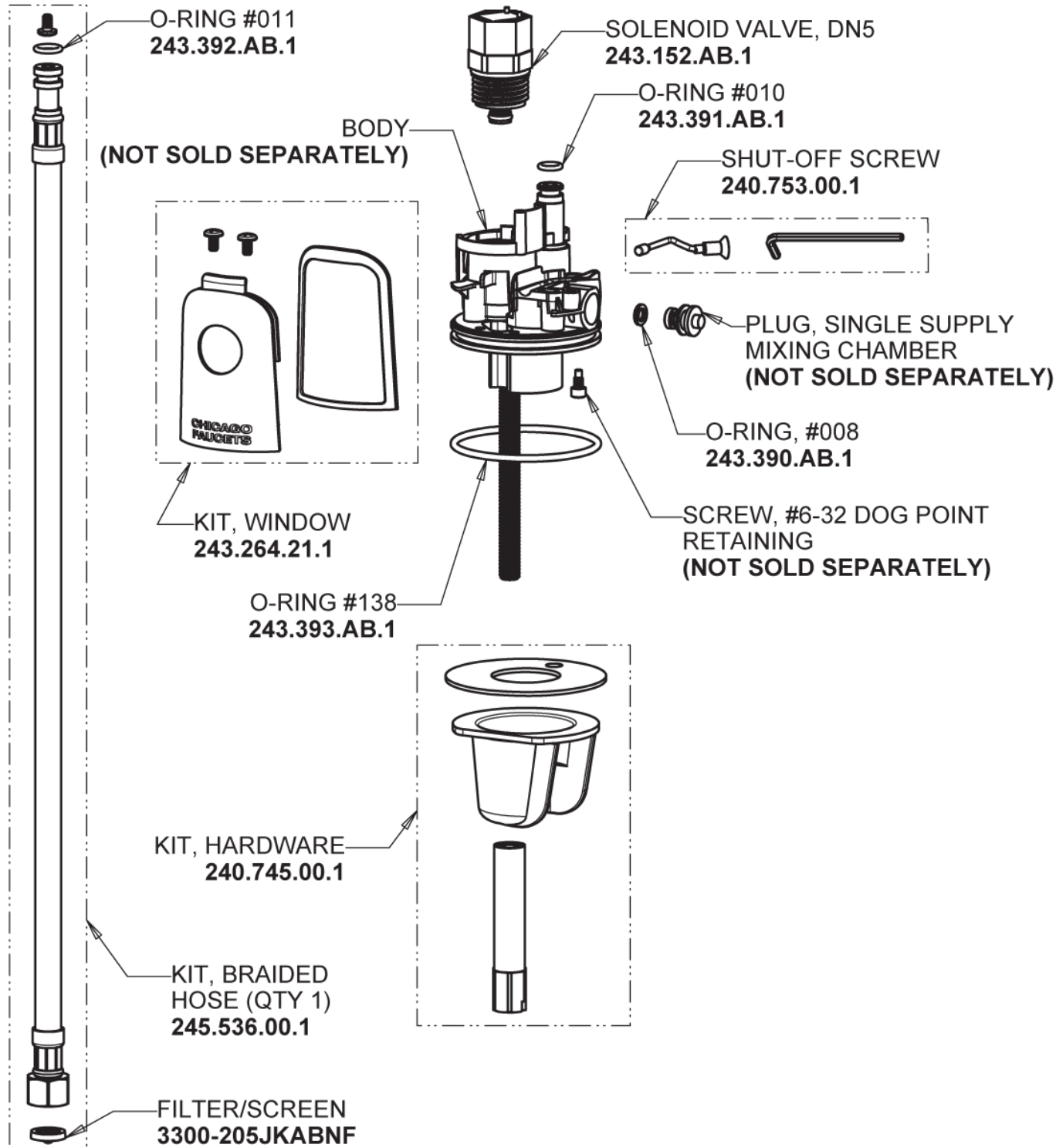
Touch-free, programmable faucet with above-deck electronics

# CHICAGO FAUCETS®

Geberit Group

HyTronic Base, No Mixer

## Base Parts:



## For Technical Assistance:

Phone: 800-TEC-TRUE (832-8783)

Email: [techsupport.us@chicagofaucets.com](mailto:techsupport.us@chicagofaucets.com)

2100 South Clearwater Drive

Des Plaines, IL 60018

Phone: 847-803-5000

[chicagofaucets.com](http://chicagofaucets.com)

# Repair Parts

116.857.AB.1

Touch-free, programmable faucet with above-deck electronics

# CHICAGO FAUCETS®

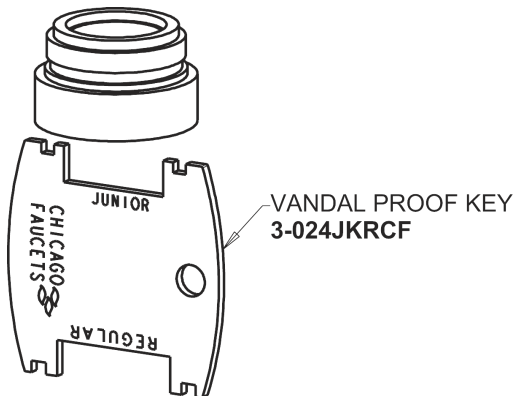
Geberit Group

HyTronic Curve Spout  
242.755.AB.1

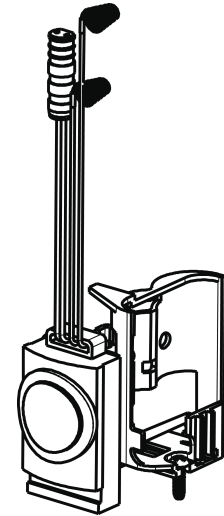


- FLOW CONTROL 1.5 GPM MAX  
1020-006JKABNF
- CHECK-CARTRIDGE  
550-009JKABNF
- O-RING #010  
243.391.AB.1

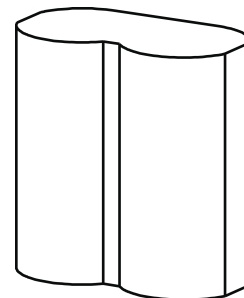
0.5 GPM (1.9 L/min) Vandal Proof Econo-Flo Non-Aerating  
Spray  
E2805JKABCP



Electronic Module  
242.433.00.1



CR-P2 6V Lithium Battery  
242.560.00.1



## For Technical Assistance:

Phone: 800-TEC-TRUE (832-8783)

Email: [techsupport.us@chicagofaucets.com](mailto:techsupport.us@chicagofaucets.com)

2100 South Clearwater Drive

Des Plaines, IL 60018

Phone: 847-803-5000

[chicagofaucets.com](http://chicagofaucets.com)