

# Repair Parts

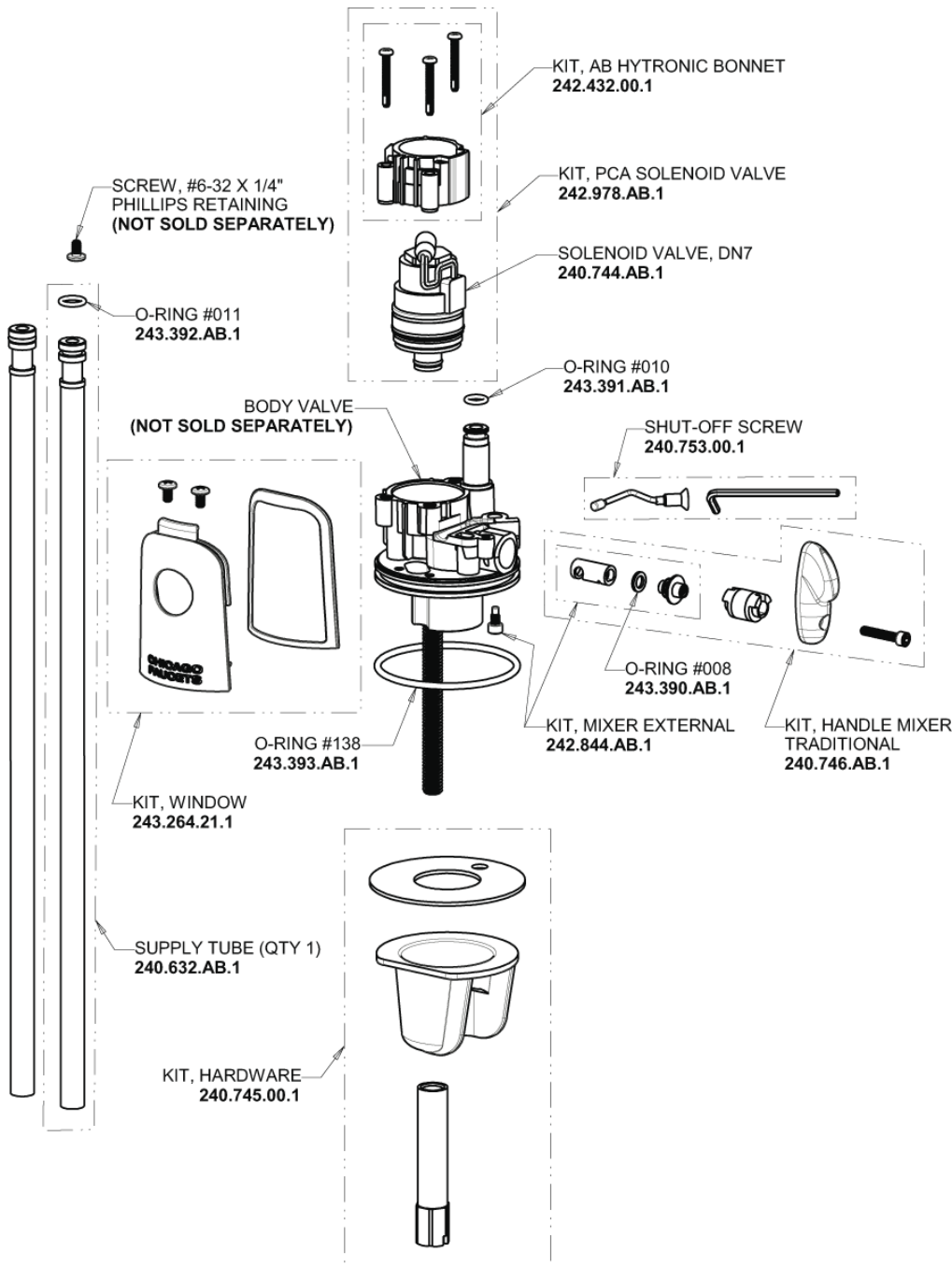
116.812.AB.1

Touch-free, programmable faucet with mixing valve and supply stops, for Patient Care applications

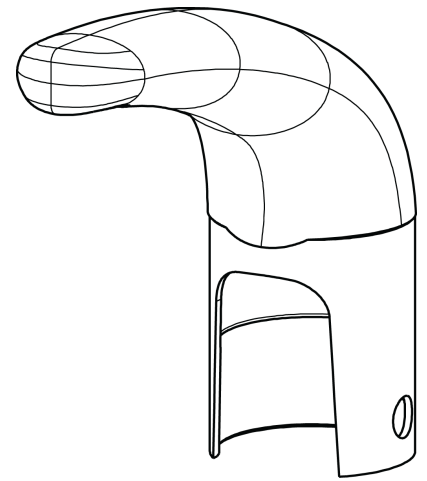
# CHICAGO FAUCETS®

Geberit Group

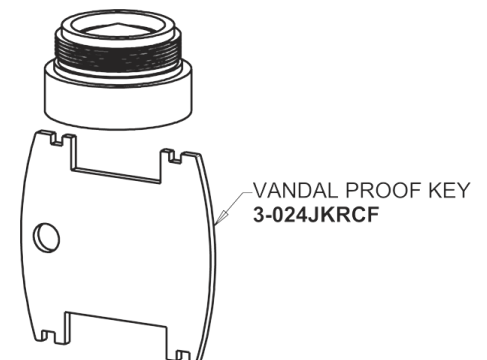
## Base Parts:



HyTronic Traditional Spout  
244.487.00.1



2.2 GPM (8.3 L/min) Vandal Proof  
Softflo Aerator  
E12VPJKABCP



## For Technical Assistance:

Phone: 800-TEC-TRUE (832-8783)

Email: [techsupport.us@chicagofaucets.com](mailto:techsupport.us@chicagofaucets.com)

2100 South Clearwater Drive

Des Plaines, IL 60018

Phone: 847-803-5000

[chicagofaucets.com](http://chicagofaucets.com)

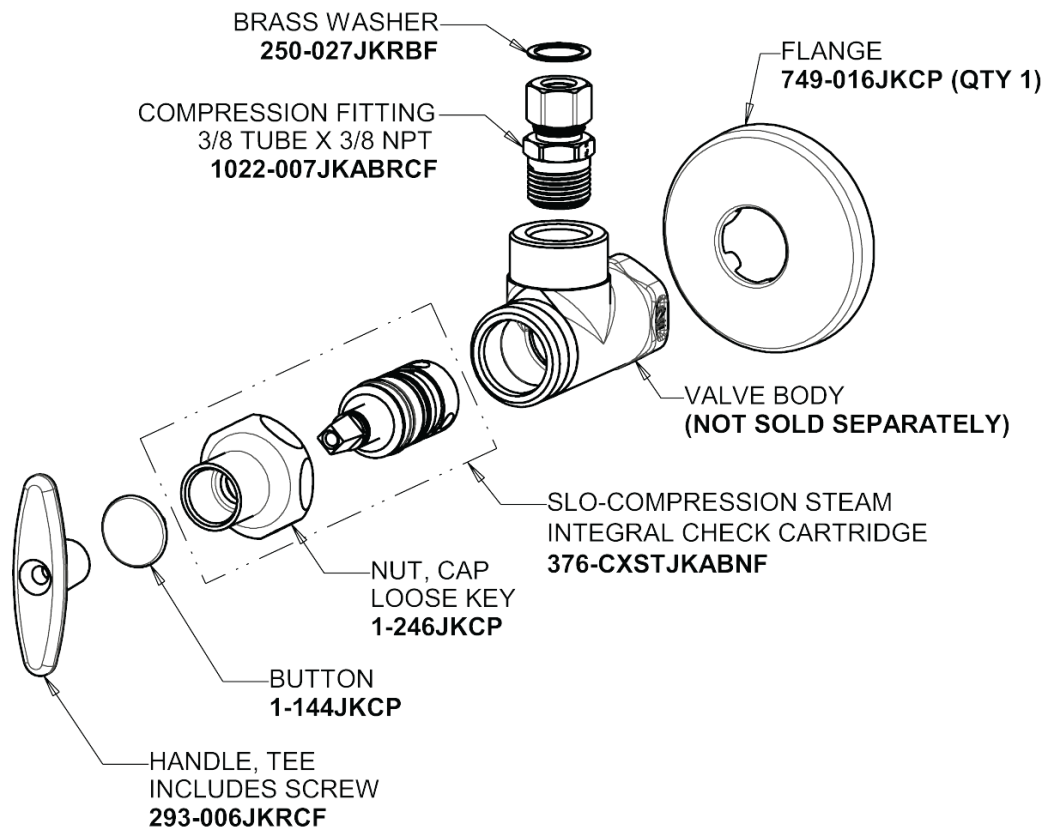
# Repair Parts

116.812.AB.1

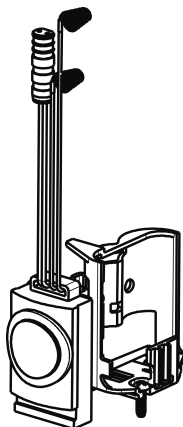
Touch-free, programmable faucet with mixing valve and supply stops, for Patient Care applications

**CHICAGO  
FAUCETS®**  
Geberit Group

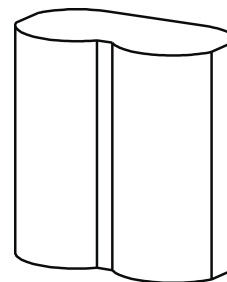
Supply stop with Integral Check Valve  
**1013-CSTABCP**



Electronic Module  
**242.433.00.1**



CR-P2 6V Lithium Battery  
**242.560.00.1**



## For Technical Assistance:

Phone: 800-TEC-TRUE (832-8783)

Email: [techsupport.us@chicagofaucets.com](mailto:techsupport.us@chicagofaucets.com)

2100 South Clearwater Drive  
Des Plaines, IL 60018  
Phone: 847-803-5000  
[chicagofaucets.com](http://chicagofaucets.com)

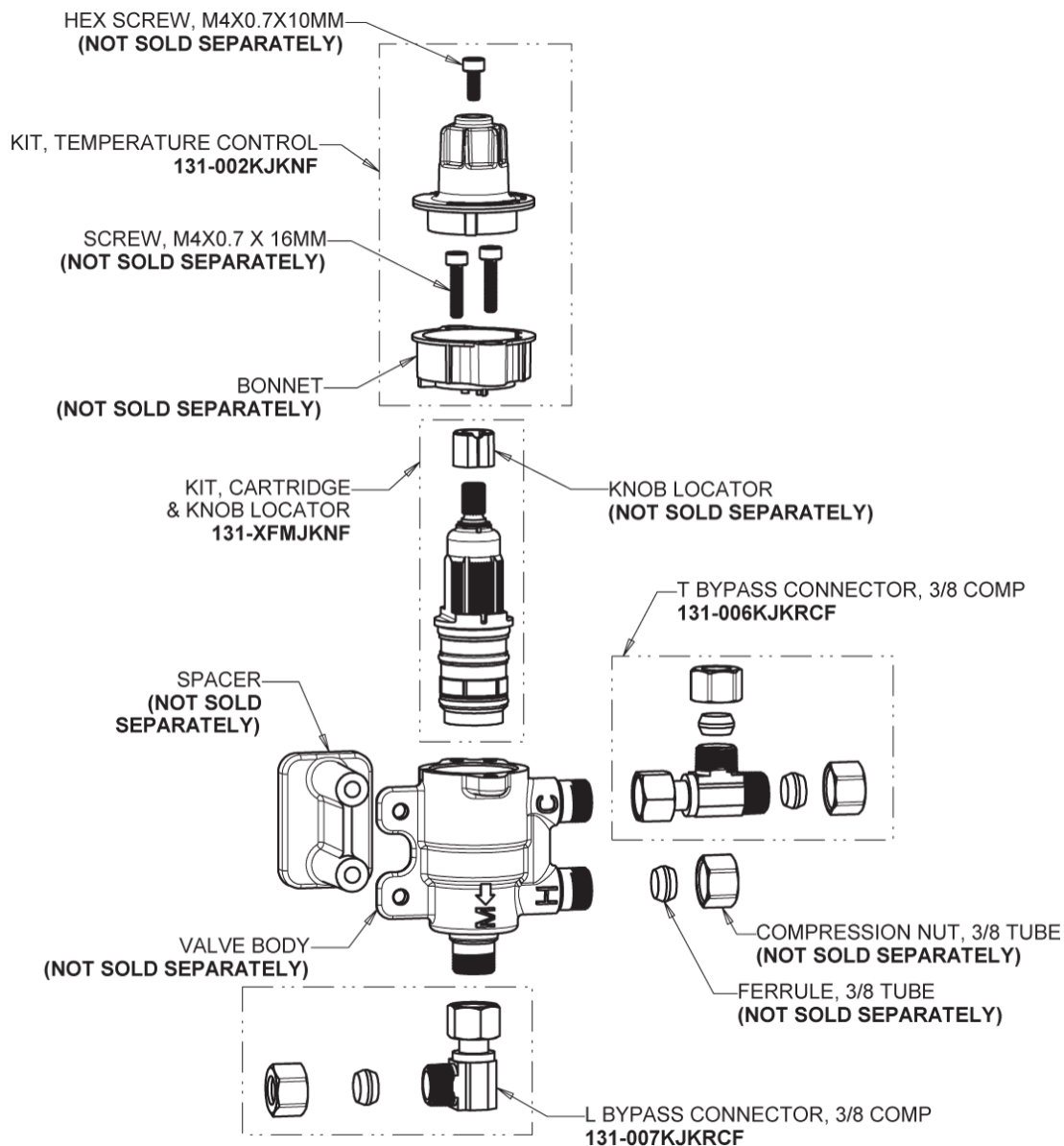
# Repair Parts

116.812.AB.1

Touch-free, programmable faucet with mixing valve and supply stops, for Patient Care applications

**CHICAGO  
FAUCETS**  
Geberit Group

Thermostatic Mixing Valve  
**131-LCJKABRCF**



## For Technical Assistance:

Phone: 800-TEC-TRUE (832-8783)

Email: [techsupport.us@chicagofaucets.com](mailto:techsupport.us@chicagofaucets.com)

2100 South Clearwater Drive

Des Plaines, IL 60018

Phone: 847-803-5000

[chicagofaucets.com](http://chicagofaucets.com)