

# Repair Parts

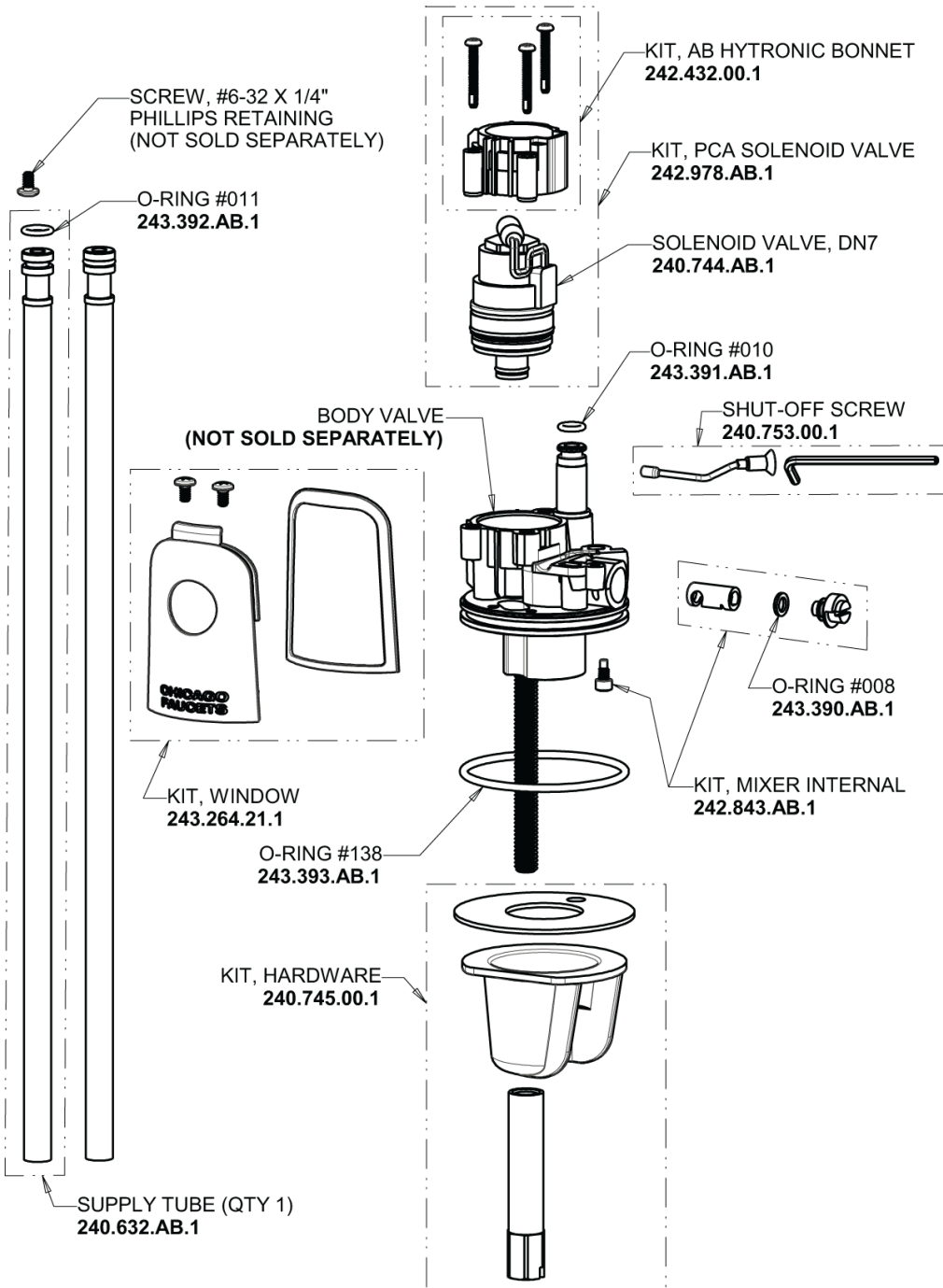
116.788.AB.1

Touch-free, programmable faucet with mixing valve, for Patient Care applications

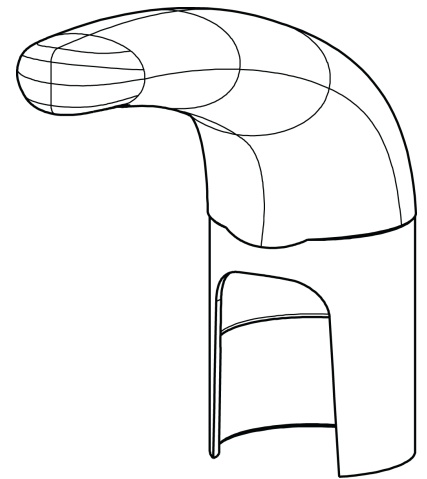
# CHICAGO FAUCETS®

Geberit Group

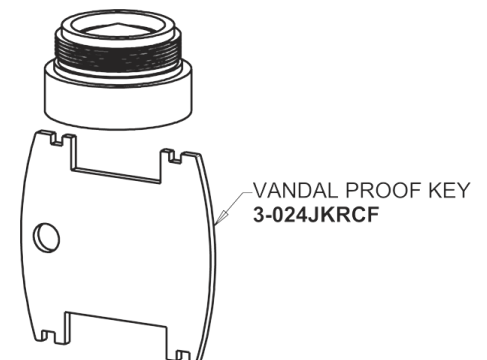
## Base Parts:



HyTronic Traditional Spout  
244.507.00.1



2.2 GPM (8.3 L/min) Vandal Proof  
Softflo Aerator  
E12VPJKABCP



## For Technical Assistance:

Phone: 800-TEC-TRUE (832-8783)

Email: [techsupport.us@chicagofaucets.com](mailto:techsupport.us@chicagofaucets.com)

2100 South Clearwater Drive

Des Plaines, IL 60018

Phone: 847-803-5000

[chicagofaucets.com](http://chicagofaucets.com)

# Repair Parts

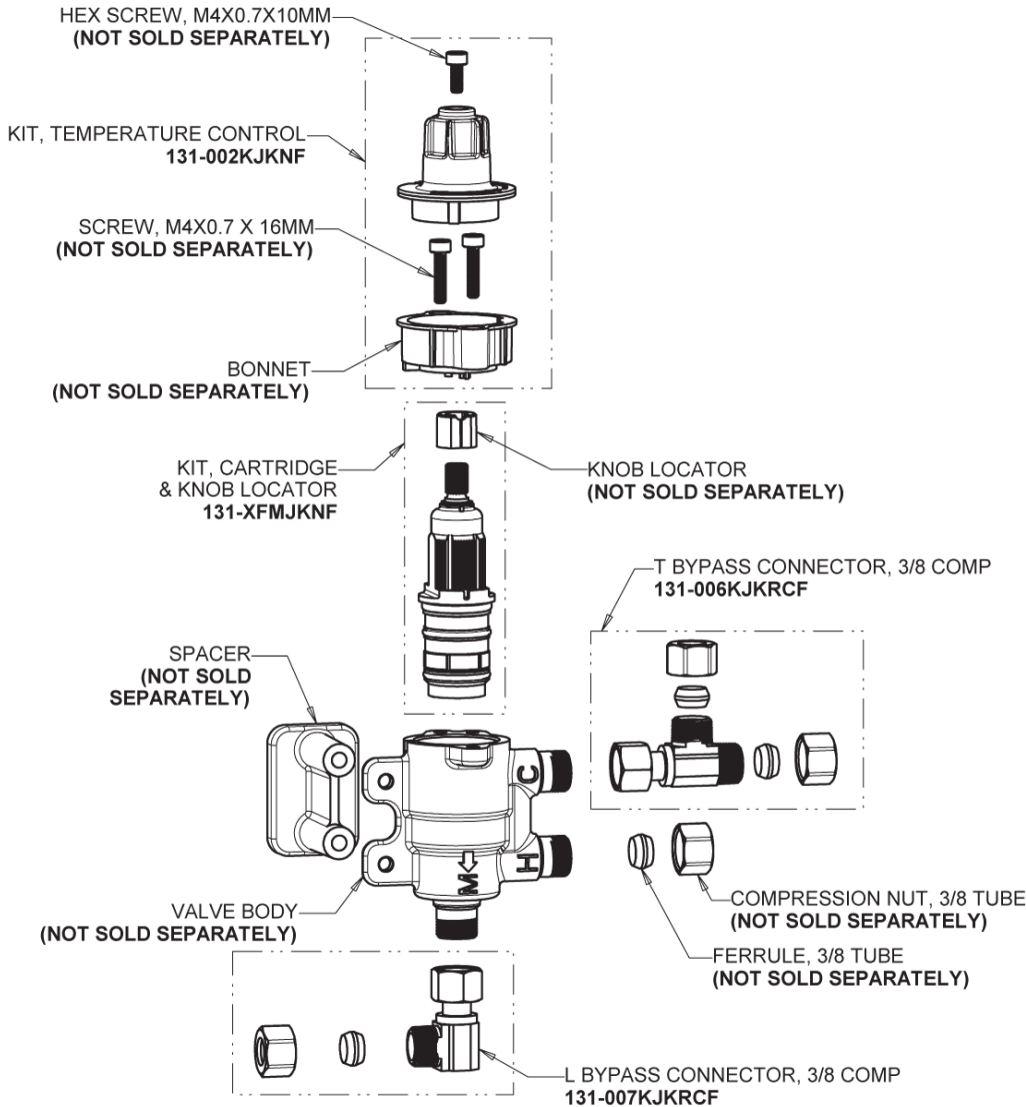
116.788.AB.1

Touch-free, programmable faucet with mixing valve, for Patient Care applications

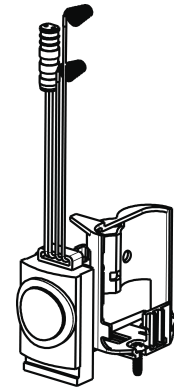
# CHICAGO FAUCETS®

Geberit Group

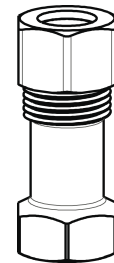
## Thermostatic Mixing Valve 131-LCJKABRCF



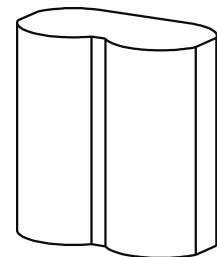
## Electronic Module 242.433.00.1



## Inline Check Valve 243.315.AB.1



## CR-P2 6V Lithium Battery 242.560.00.1



## For Technical Assistance:

Phone: 800-TEC-TRUE (832-8783)

Email: [techsupport.us@chicagofaucets.com](mailto:techsupport.us@chicagofaucets.com)

2100 South Clearwater Drive

Des Plaines, IL 60018

Phone: 847-803-5000

[chicagofaucets.com](http://chicagofaucets.com)