

# Repair Parts

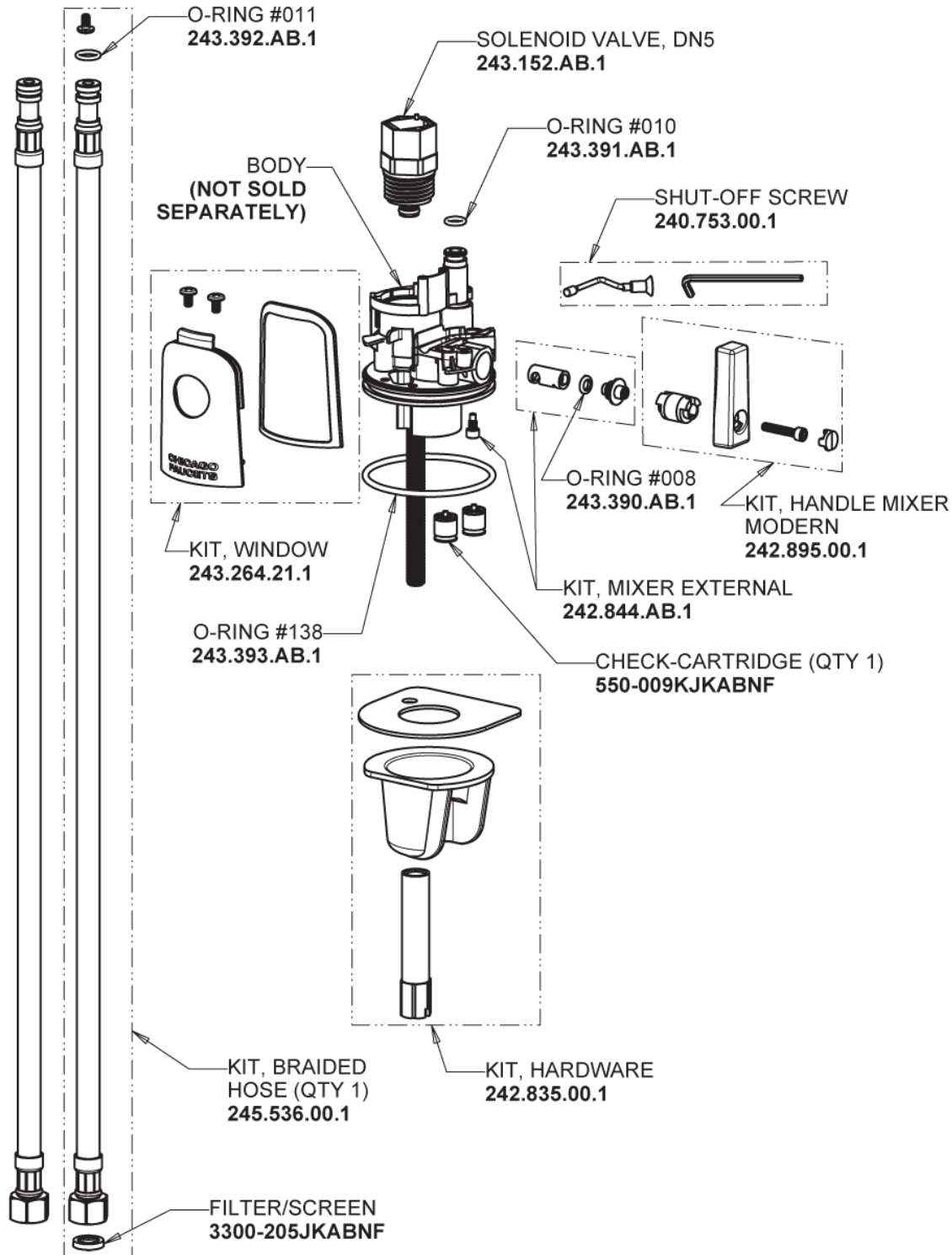
116.718.AB.4

Touch-free, programmable faucet with above-deck electronics

# CHICAGO FAUCETS®

Geberit Group

## Base Parts:



## For Technical Assistance:

Phone: 800-TEC-TRUE (832-8783)

Email: [techsupport.us@chicagofaucets.com](mailto:techsupport.us@chicagofaucets.com)

2100 South Clearwater Drive

Des Plaines, IL 60018

Phone: 847-803-5000

[chicagofaucets.com](http://chicagofaucets.com)

# Repair Parts

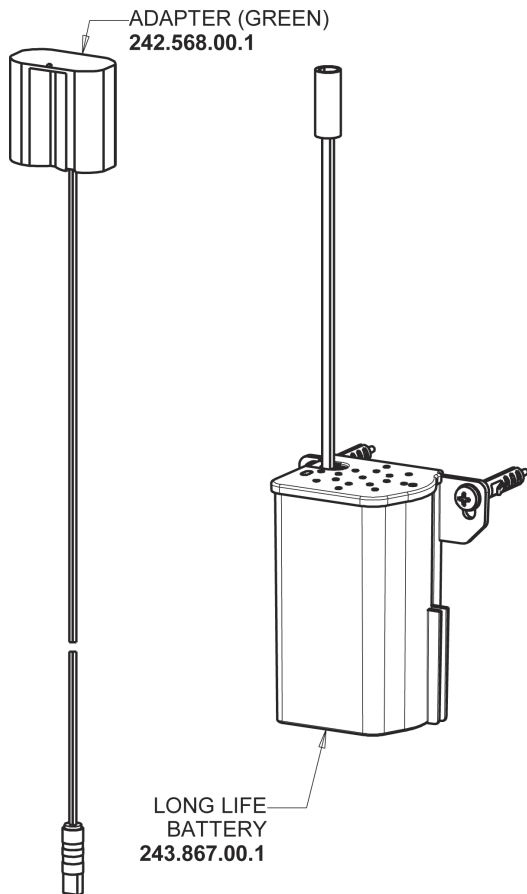
116.718.AB.4

Touch-free, programmable faucet with above-deck electronics

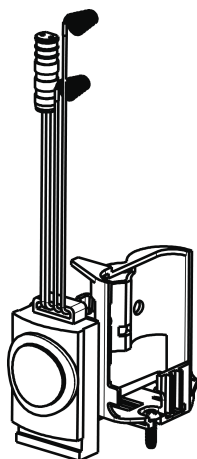
# CHICAGO FAUCETS®

Geberit Group

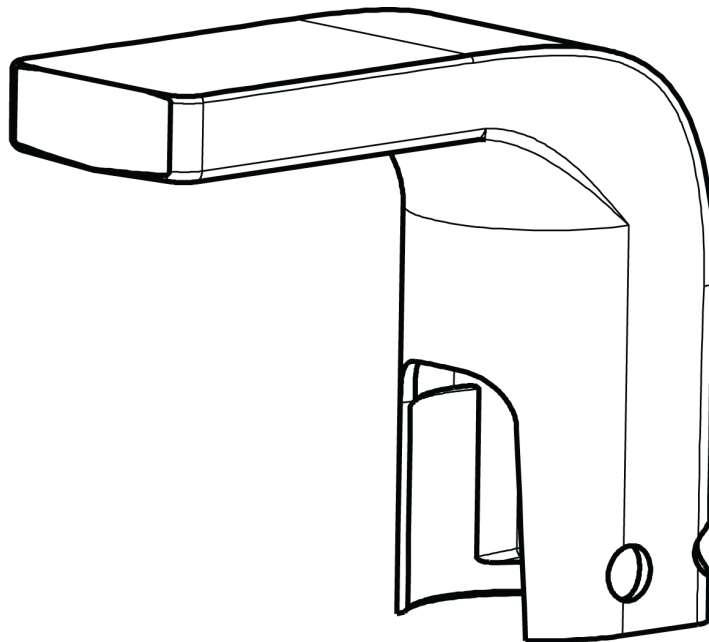
Long Life Battery Kit  
243.868.00.1



Electronic Module  
242.574.00.1



HyTronic Edge Spout  
242.797.AB.1



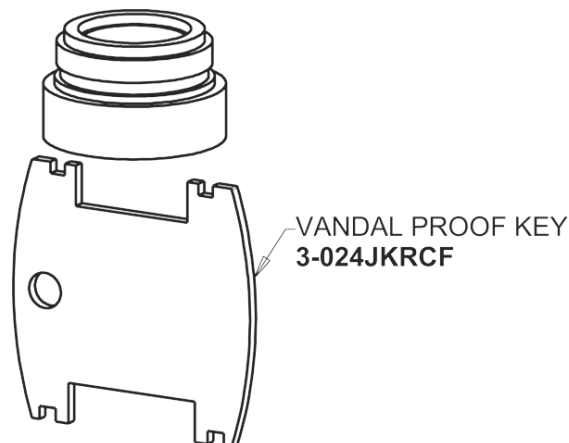
CHECK-CARTRIDGE  
550-009KJKABNF



O-RING, #010  
243.391.AB.1



0.35 GPM (1.3 L/min) Vandal Proof Econo-Flo Non-Aerating  
Outlet  
E39VPJKABCP



## For Technical Assistance:

Phone: 800-TEC-TRUE (832-8783)

Email: [techsupport.us@chicagofaucets.com](mailto:techsupport.us@chicagofaucets.com)

2100 South Clearwater Drive

Des Plaines, IL 60018

Phone: 847-803-5000

[chicagofaucets.com](http://chicagofaucets.com)