

Repair Parts

116.717.AB.4

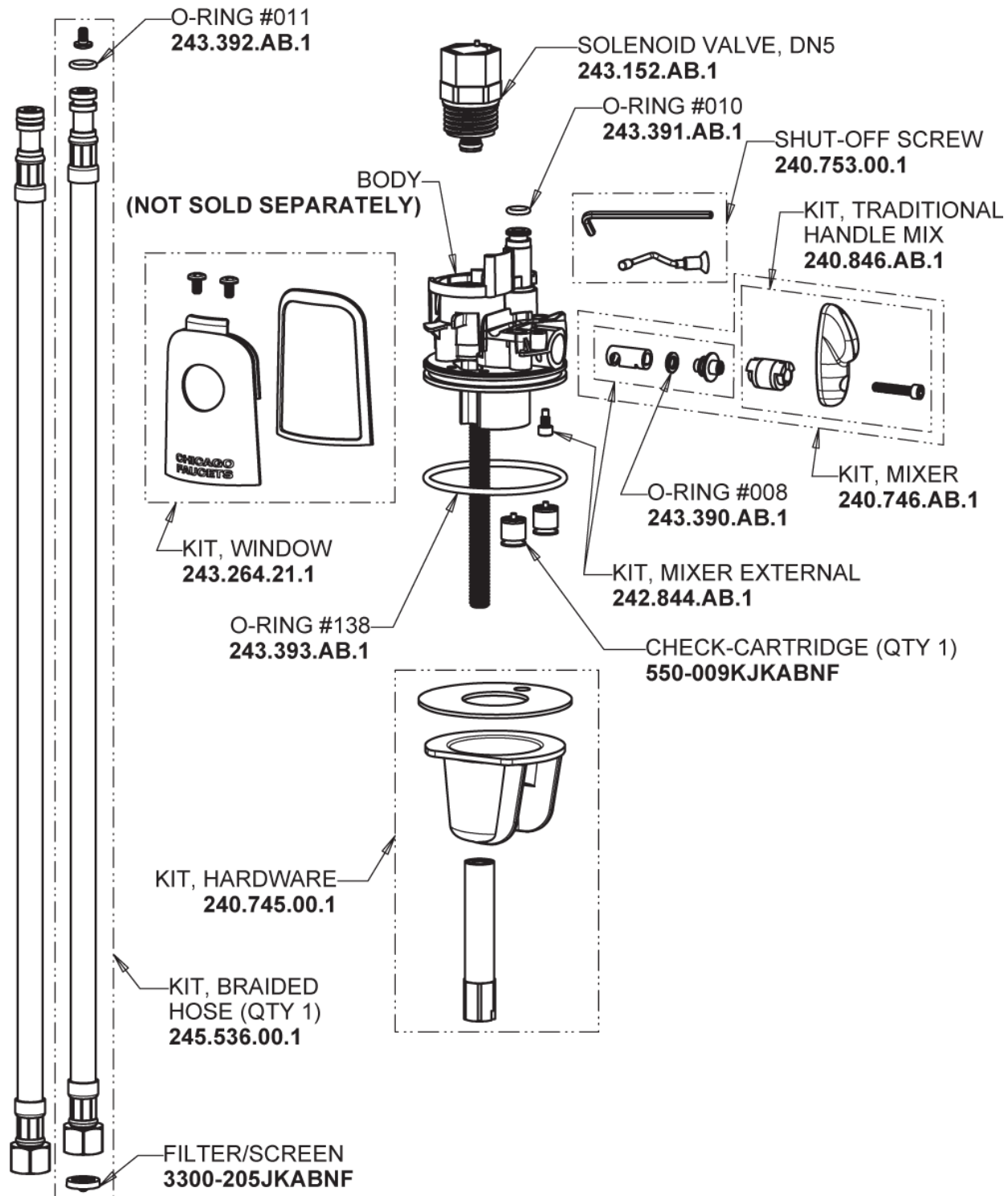
Touch-free, programmable faucet with above-deck electronics

CHICAGO FAUCETS®

Geberit Group

HyTronic Base with User Temp Control

Base Parts:



For Technical Assistance:

Phone: 800-TEC-TRUE (832-8783)

Email: techsupport.us@chicagofaucets.com

2100 South Clearwater Drive

Des Plaines, IL 60018

Phone: 847-803-5000

chicagofaucets.com

Repair Parts

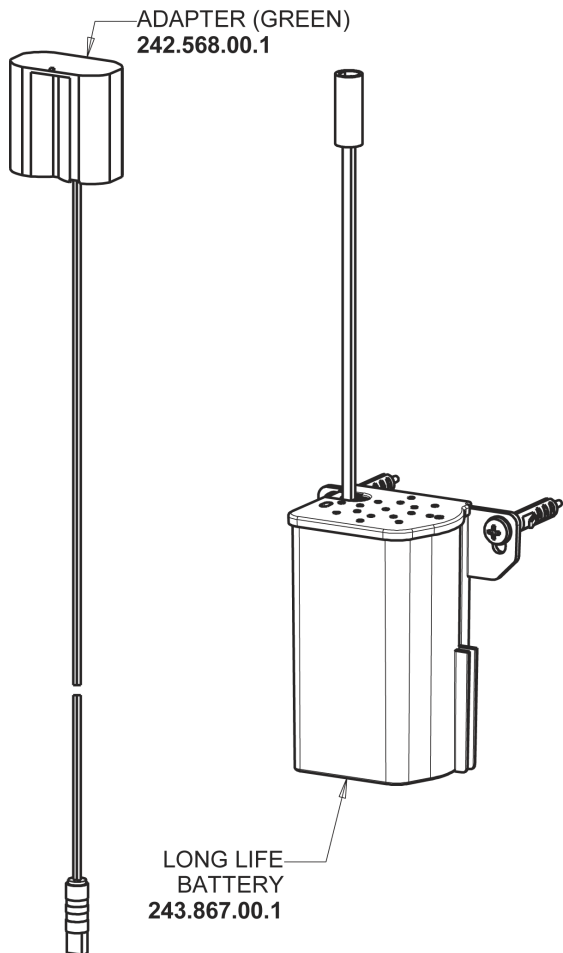
116.717.AB.4

Touch-free, programmable faucet with above-deck electronics

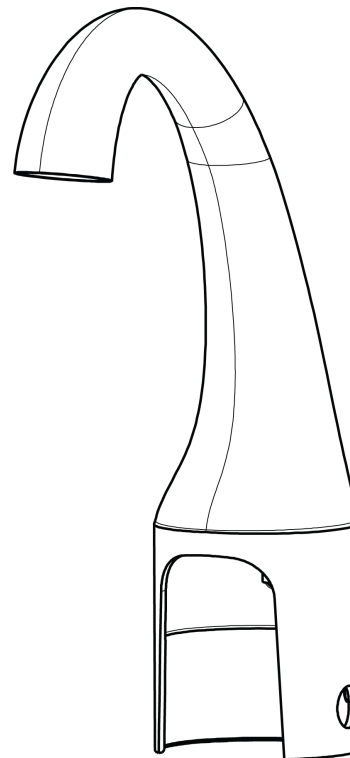
CHICAGO FAUCETS®

Geberit Group

Long Life Battery Kit
243.868.00.1



HyTronic Curve Spout
242.798.AB.1



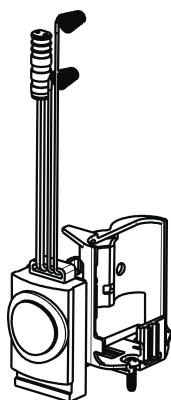
FLOW CONTROL 1.5 GPM MAX
1020-006KJKABNF

CHECK-CARTRIDGE
550-009KJKABNF

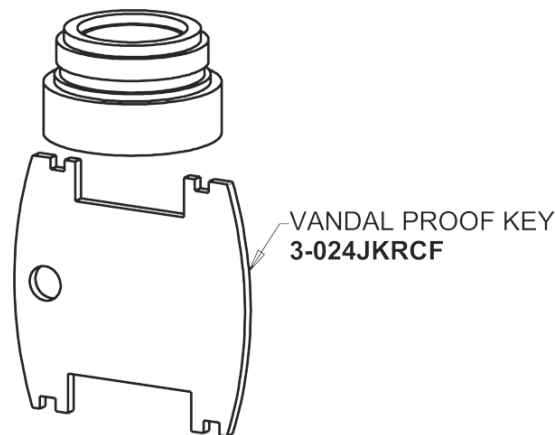
O-RING #010
243.391.AB.1

The diagram shows three small components: a flow control valve, a check-cartridge, and an O-ring.

Electronic Module
242.574.00.1



0.35 GPM (1.3 L/min) Vandal Proof Econo-Flo Non-Aerating Outlet
E39VPJKABCP



For Technical Assistance:

Phone: 800-TEC-TRUE (832-8783)

Email: techsupport.us@chicagofaucets.com

2100 South Clearwater Drive
Des Plaines, IL 60018
Phone: 847-803-5000
chicagofaucets.com