

# ELECTRICAL CIRCUIT DIAGRAMS FOR TSG-2G AND TSG-2F TOP ELEMENTS

R1 -R2 -R3 -R4

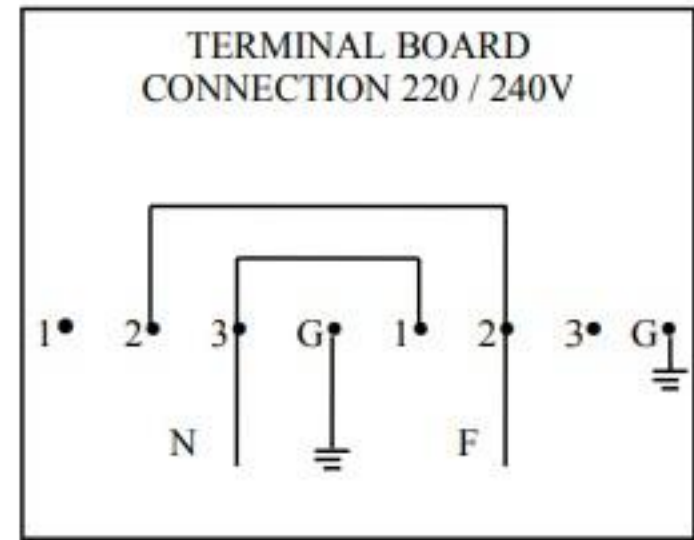
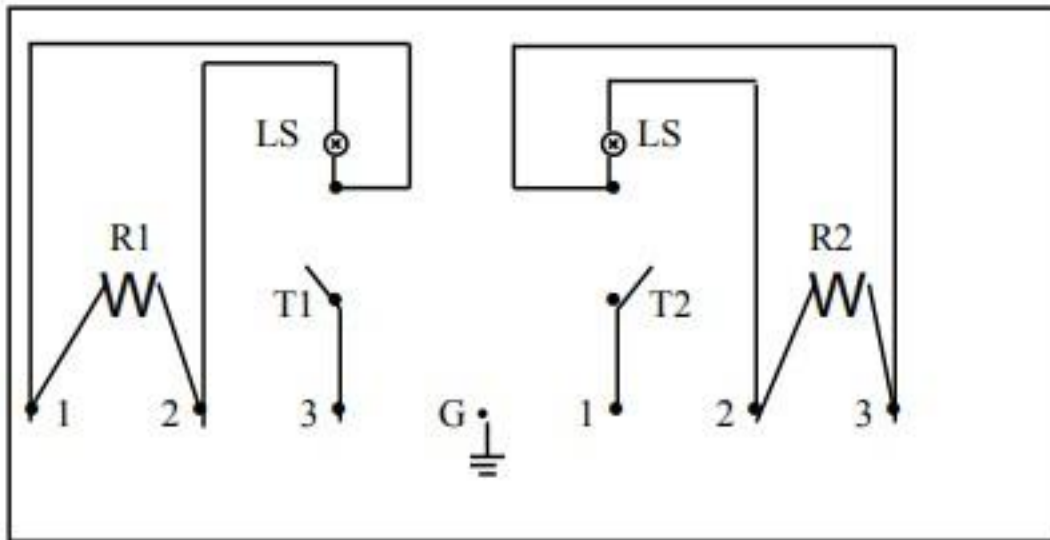
= RESISTORS

LS

= PILOT LAMP

T1 - T2

= THERMOSTATS



## ELECTRICAL CIRCUIT DIAGRAMS

### FOR TSG-1G AND TSG-1F ELEMENTS

