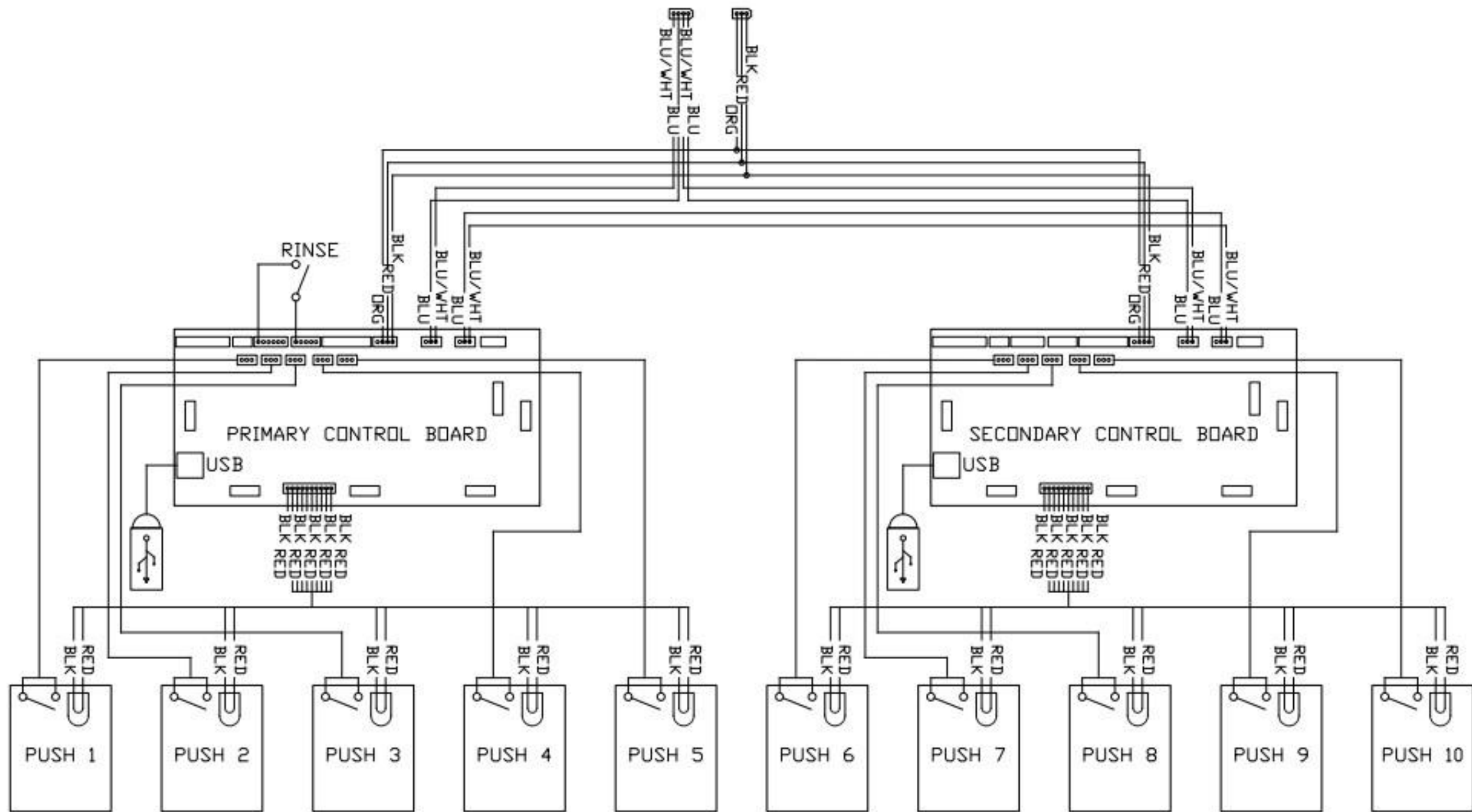
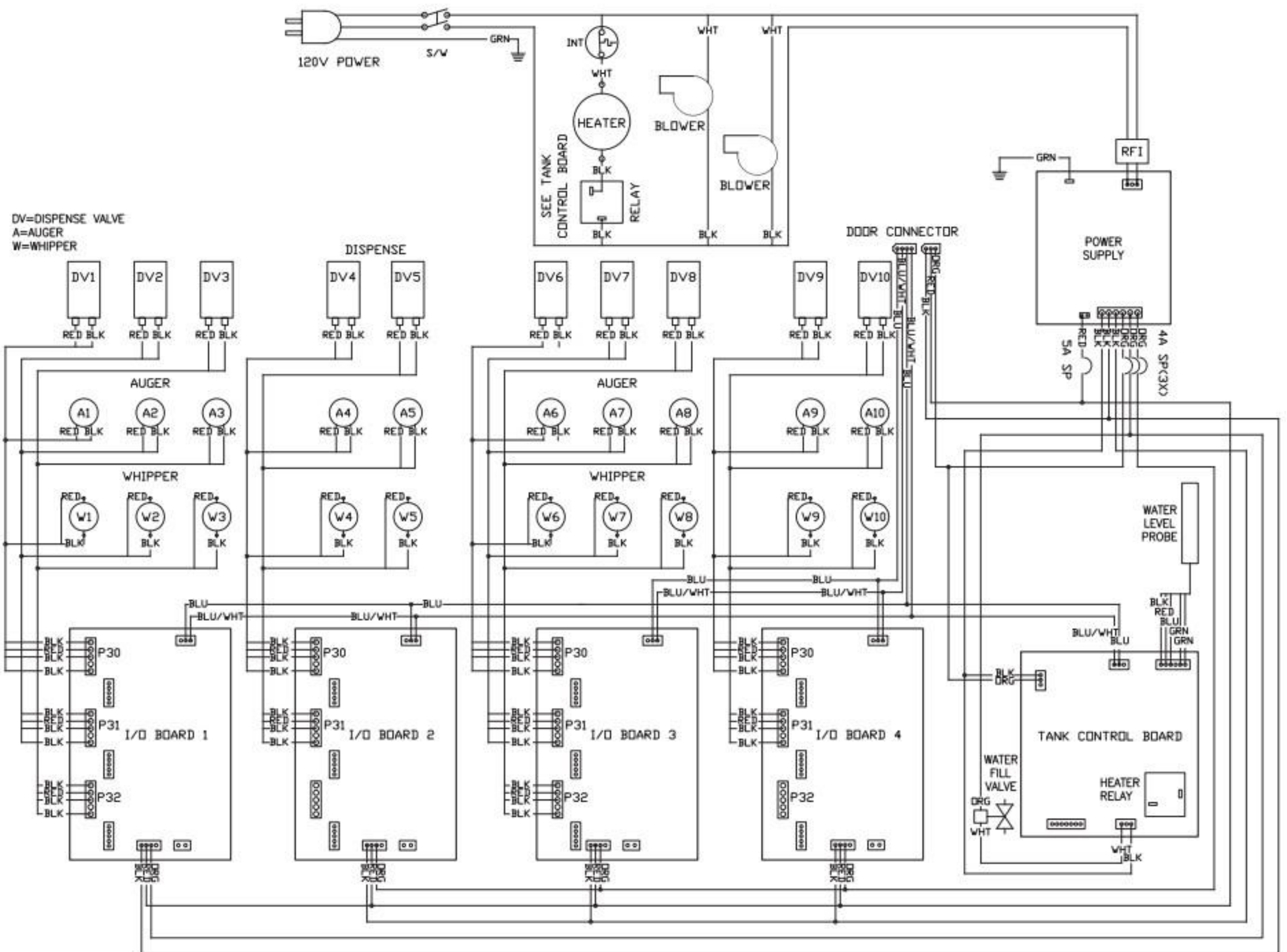


DOOR CONNECTOR





DV=DISPENSE VALVE
 A=AUGER
 W=WHIPPER

120V POWER
 S/W
 GRN

SEE TANK CONTROL BOARD
 CONTROL BOARD
 HEATER
 RELAY
 WHT
 WHT
 BLK
 BLK

BLOWER
 BLOWER
 WHT
 BLK
 BLK

DOOR CONNECTOR

POWER SUPPLY
 RFI
 4A SP(X)
 5A SP
 GRN

DISPENSE

DV1
 DV2
 DV3
 RED BLK
 RED BLK
 RED BLK

DV4
 DV5
 RED BLK
 RED BLK

DV6
 DV7
 DV8
 RED BLK
 RED BLK
 RED BLK

DV9
 DV10
 RED BLK
 RED BLK

AUGER

A1
 A2
 A3
 RED BLK
 RED BLK
 RED BLK

A4
 A5
 RED BLK
 RED BLK

AUGER

A6
 A7
 A8
 RED BLK
 RED BLK
 RED BLK

AUGER

A9
 A10
 RED BLK
 RED BLK

WHIPPER

W1
 W2
 W3
 RED
 RED
 RED
 BLK
 BLK
 BLK

W4
 W5
 RED
 RED
 BLK
 BLK

WHIPPER

W6
 W7
 W8
 RED
 RED
 RED
 BLK
 BLK
 BLK

W9
 W10
 RED
 RED
 BLK
 BLK

I/O BOARD 1
 P30
 P31
 P32

I/O BOARD 2
 P30
 P31
 P32

I/O BOARD 3
 P30
 P31
 P32

I/O BOARD 4
 P30
 P31
 P32

WATER LEVEL PROBE

TANK CONTROL BOARD

WATER FILL VALVE

HEATER RELAY

