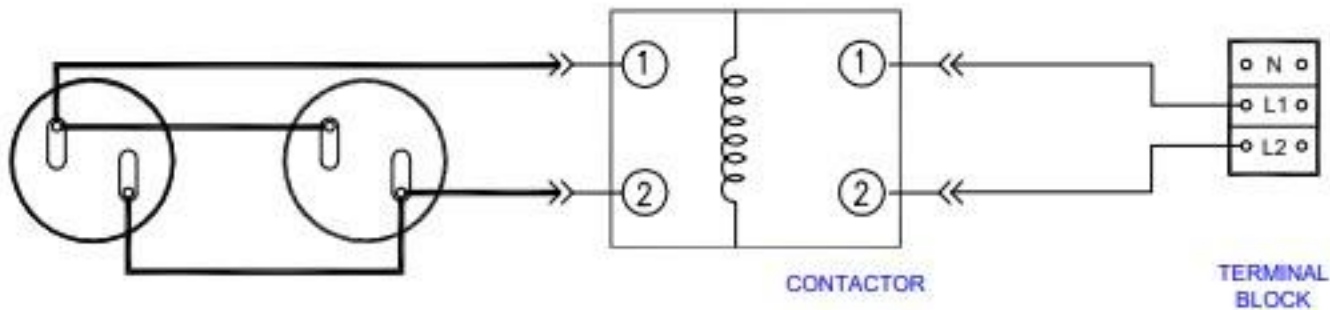


CONTACTOR

TERMINAL
BLOCK

3 PHASE 240 VOLTS
G197A (3 x 3.5 KW)
TOTAL: 10.5 KW

SHEET 4 of 4



1 PHASE 240 VOLTS
G197A (2 x 3.5 KW)
TOTAL: 7 KW

240 VOLTS

