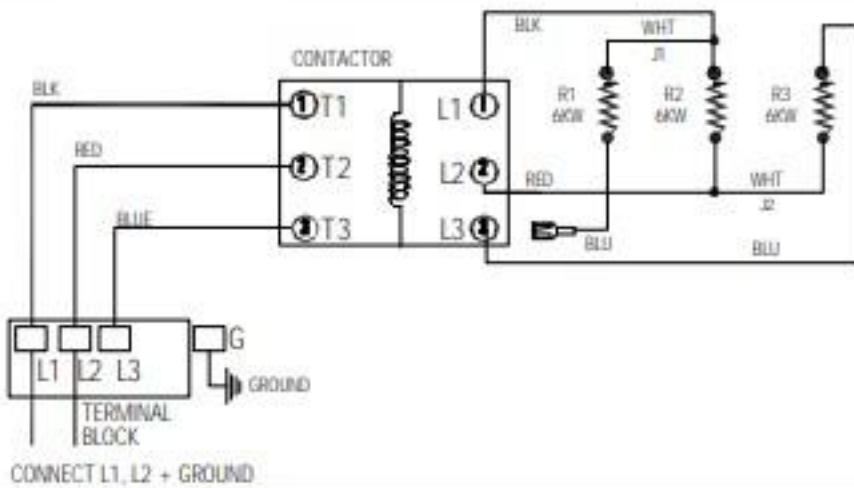


NO. OF HEATERS: 3 KW PER HEATER: 6 TOTAL KW: 18 PHASE: 3 VOLTS: 230 AMPS: 45.2
 NO. OF HEATERS: 3 KW PER HEATER: 6 TOTAL KW: 18 PHASE: 3 VOLTS: 208 AMPS: 50

L1 INPUT 240V
 L2 1 PH
 G GND

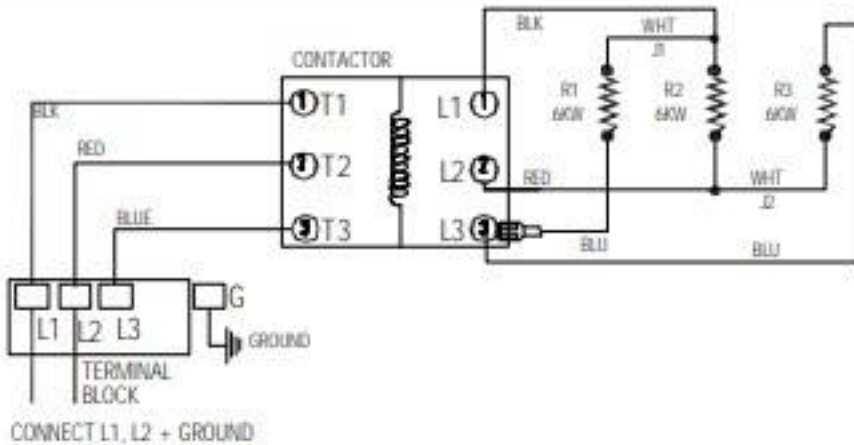


[CHECK MARK INDICATES WIRING OF UNIT]

230V, 6KW, 1 PHASE, 26 AMPS

REQUIRES: L1, L2, GRD

30 AMP CIRCUIT BREAKER

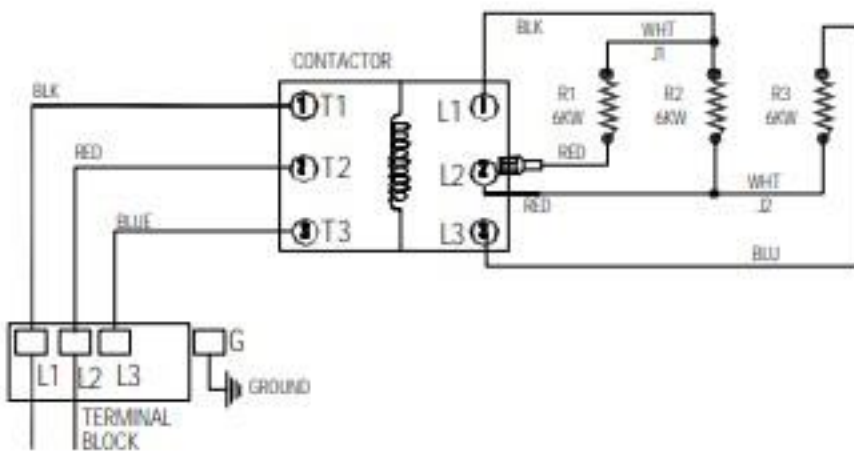
BLUE WIRE W/ PUSH ON TERMINAL IS NOT
CONNECTED TO CONTACTOR "L3"SUPPLIED WITH NEMA 6-30P PLUG
REQUIRES 6-30 RECEPTACLE230V, 9KW, 1 PHASE, 39 AMPS

REQUIRES: L1, L2, GRD

40 AMP CIRCUIT BREAKER

BLUE WIRE W/ PUSH ON TERMINAL IS
CONNECTED TO CONTACTOR "L3"

HARDWIRED

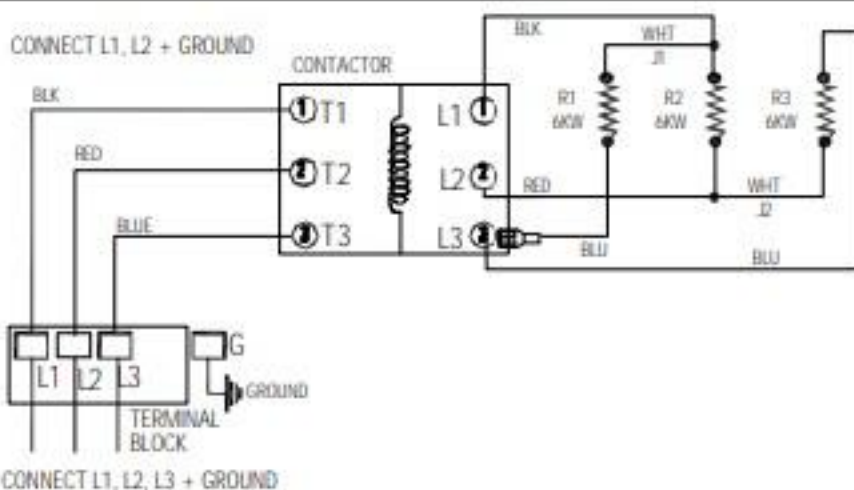
230V, 12KW, 1 PHASE, 50 AMPS

REQUIRES: L1, L2, GRD

60 AMP CIRCUIT BREAKER

BLUE WIRE W/ PUSH ON TERMINAL IS
CONNECTED TO CONTACTOR "L2"

HARDWIRED

230V, 18KW, 3 PHASE, 45 AMPS

REQUIRES: L1, L2, L3, GRD

50 AMP CIRCUIT BREAKER

BLUE WIRE W/ PUSH ON TERMINAL IS
CONNECTED TO CONTACTOR "L3"

HARDWIRED

