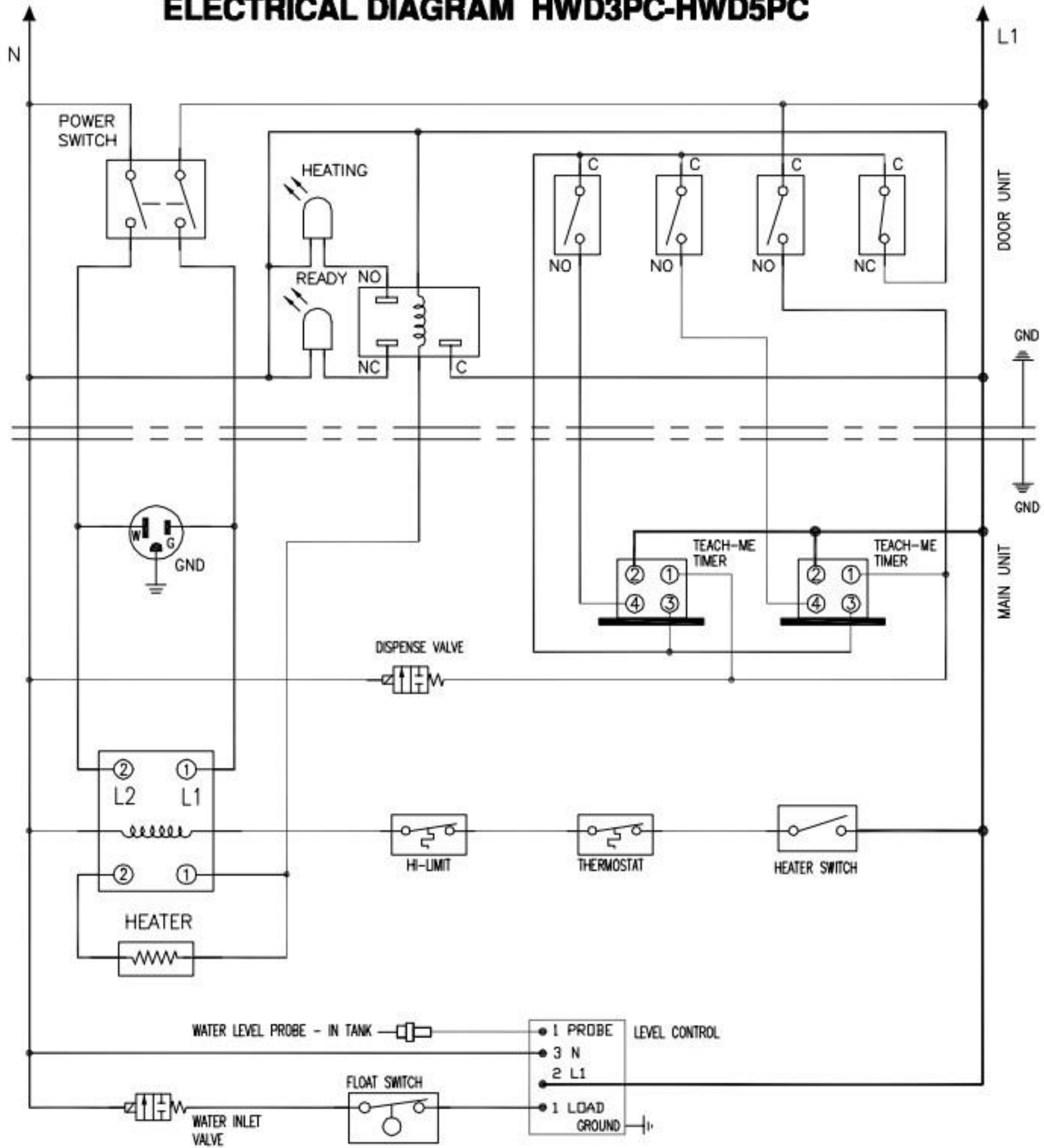


# ELECTRICAL DIAGRAM HWD3PC-HWD5PC



**ELECTRICAL DIAGRAM HWD3 - HWD5**