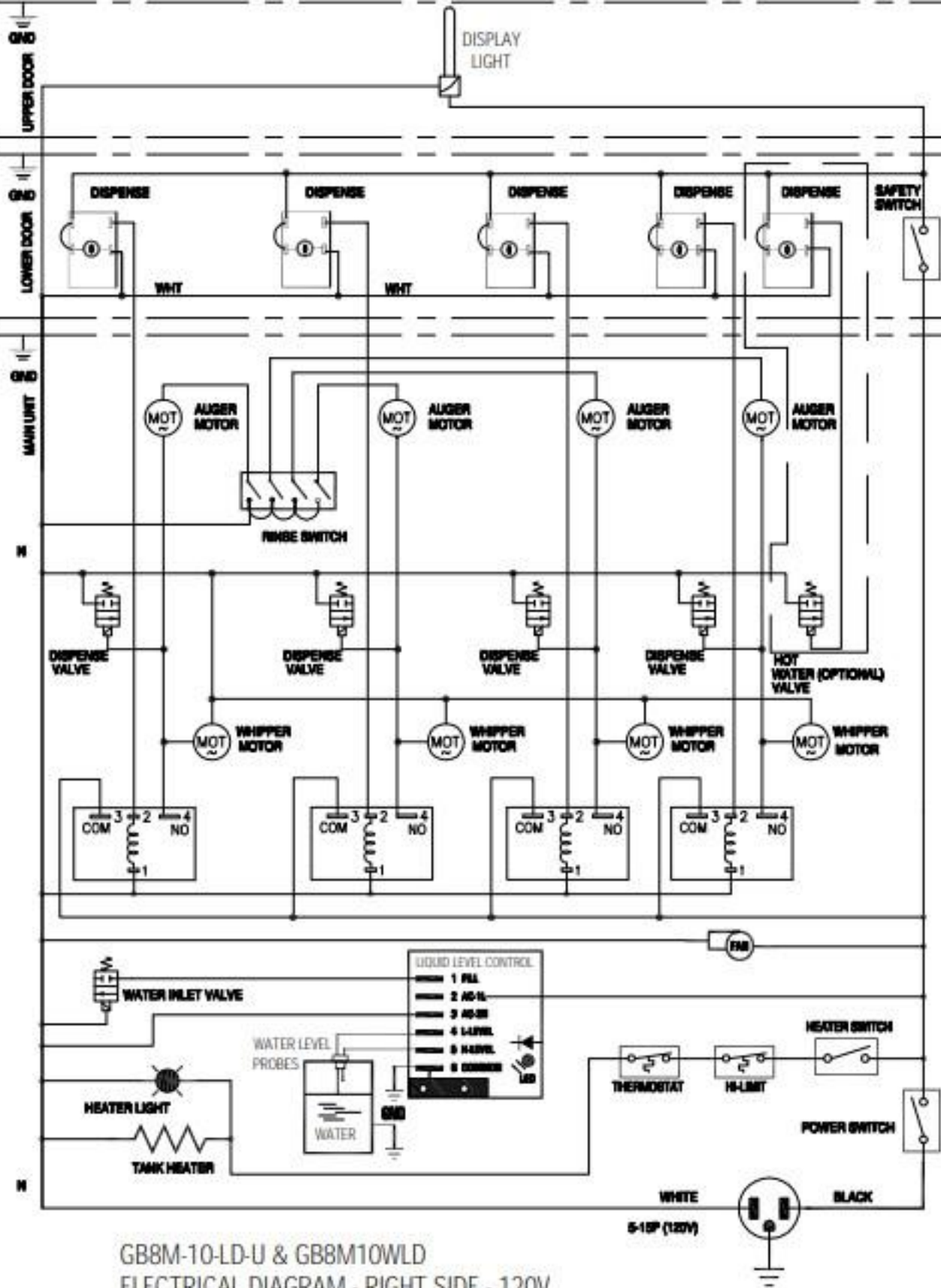


GB8M-10-LD-U & GB8M10WLD
ELECTRICAL DIAGRAM - LEFT SIDE - 120V



GB8M-10-LD-U & GB8M10WLD
ELECTRICAL DIAGRAM - RIGHT SIDE - 120V