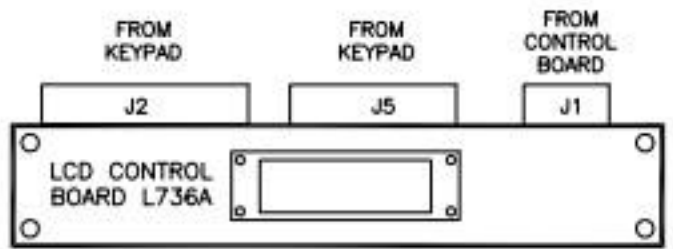
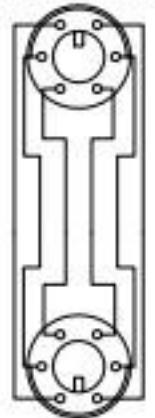


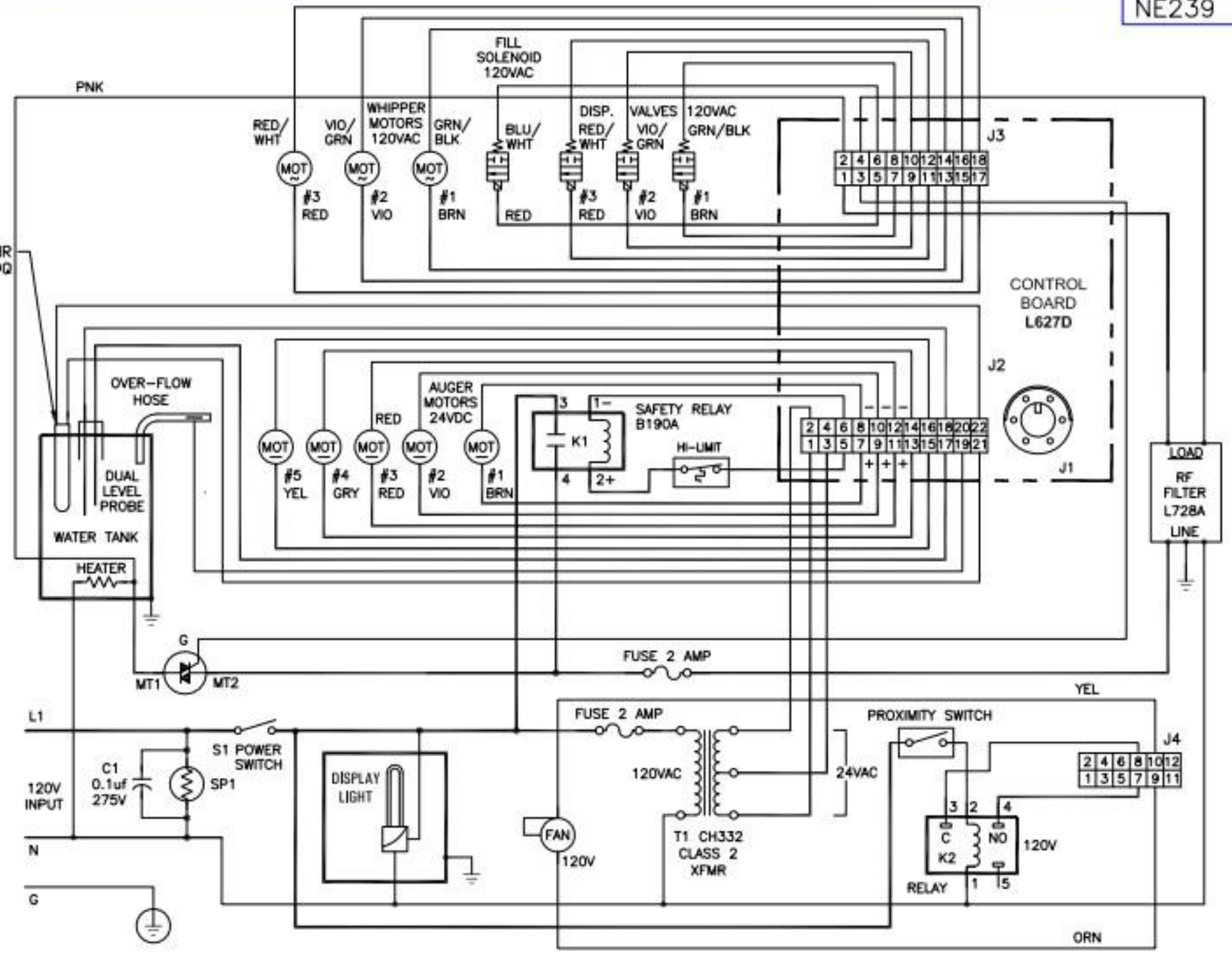
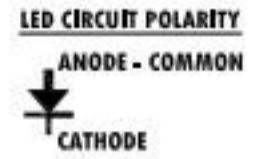
TO CONTROL BOARD  
P1 KMDL-6S-AS



**LEDs PIN LAYOUT**

ANODE	CATH	CATH	CATH	CATH	CATH	CATH	CATH	CATH	CATH	CATH	CATH	CATH	CATH
1-1	1-2	1-3	1-4	2-1	2-2	2-3	2-4	3-1	3-2	3-3	3-4		
2	3	4	5	6	7	8	9	10	11	12	13	14	15

	C1	C2	C3	C4	C5	
R1	HW			CW		1
R2	1-1	2-1	3-1	RINSE		2
R3	1-2	2-2	3-2	DOWN		3
R4	1-3	2-3	3-3	UP		4
R5	1-4	2-4	3-4	STOP	FF	5
	5	7	8	10	9	

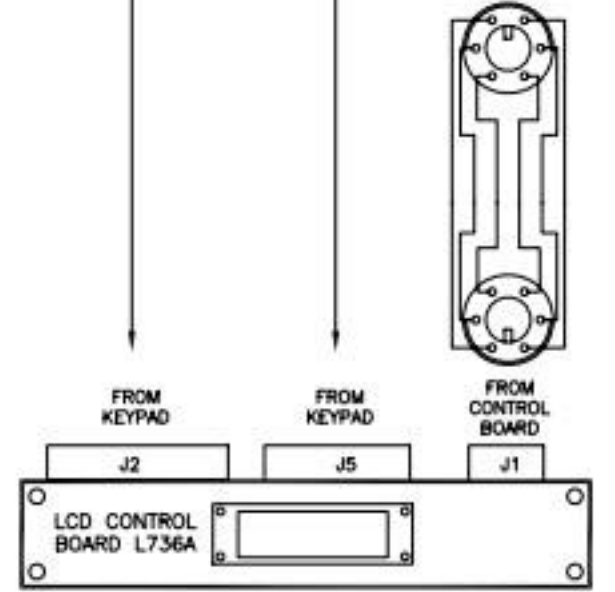
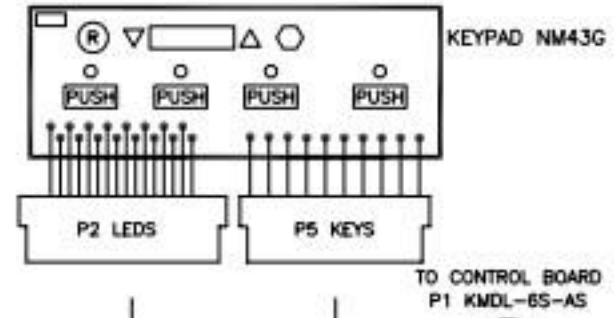
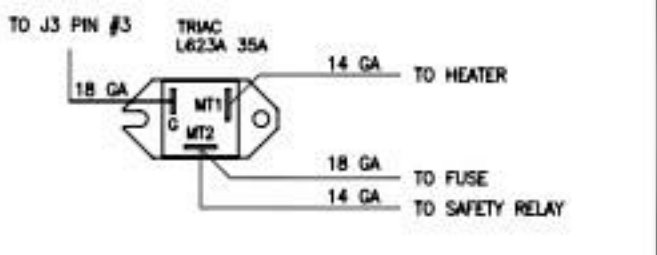


**120V**

REV	BY	DATE	DESCRIPTION
C	JL	03/26/08	ADDED OVER-FLOW HOSE CONNECTION TO PIN 19; REMOVED PIN 20 CONNECTION
B	GV	5/17/05	MODIFIED DISPLAY LIGHT

TOLERANCES UNLESS OTHERWISE SPECIFIED	FINISHED DECIMAL	FRACTIONAL	ANGULAR	MATERIAL	APPROVED BY	DATE	PART NO
	±.005	±1/64	±1/2°				NE239
DO NOT SCALE THIS DRAWING				DRAWN BY	M.M.	DATE	10/20/04
				SCALE			1 : 1

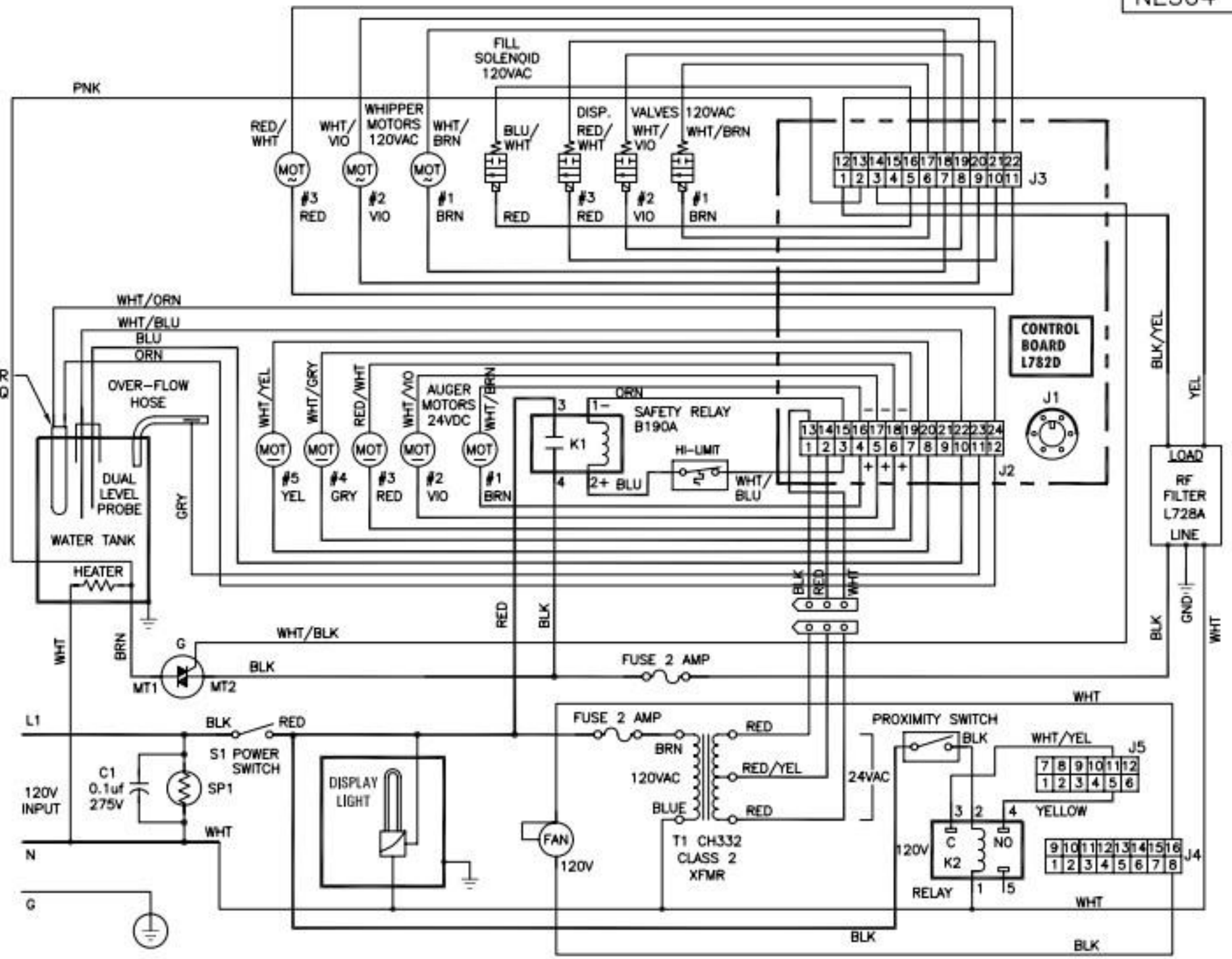




**LEDs PIN LAYOUT**

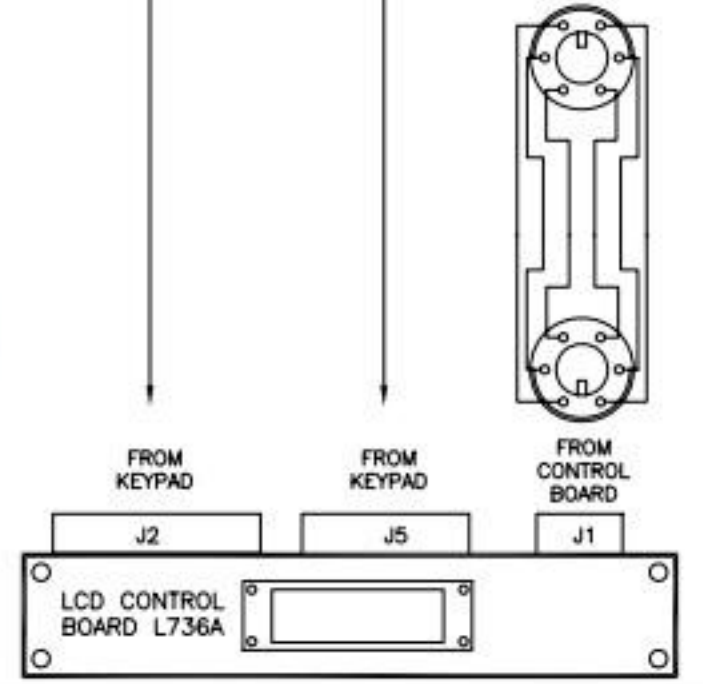
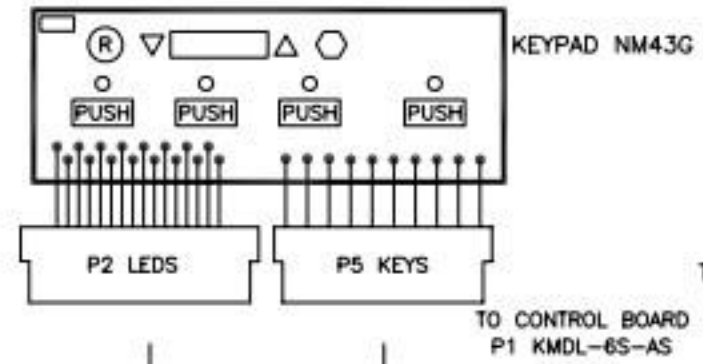
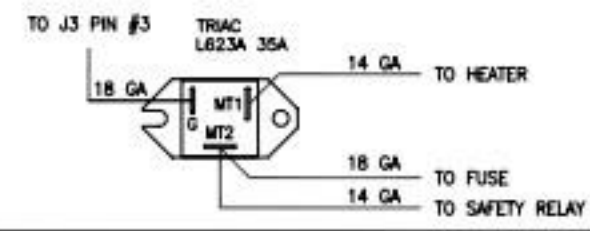
CATH	CATH	CATH	CATH	CATH	CATH	CATH	CATH	CATH	CATH	CATH	CATH	CATH	CATH	CATH	CATH
1-1	1-2	1-3	1-4	2-1	2-2	2-3	2-4	3-1	3-2	3-3	3-4				
2	3	4	5	6	7	8	9	10	11	12	13	14	15	16	

	C1	C2	C3	C4	C5	
R1	HW			CW		1
R2	1-1	2-1	3-1	RINSE		2
R3	1-2	2-2	3-2	DOWN		3
R4	1-3	2-3	3-3	UP		4
R5	1-4	2-4	3-4	STOP	FF	5
	5	7	8	10	3	



**120V**

TOLERANCES ON DIMENSIONS NOT OTHERWISE SPECIFIED	FINISHED DECIMAL FRACTIONAL ANGULAR MATERIAL	REV	BY	DATE	DESCRIPTION
DO NOT SCALE THIS DRAWING	✓ ±.005 ±1/64 ±1/2"				
CECILWARE CORPORATION		43-05 20 AVE. L.I.C. NY 11105			
TITLE ELECTRICAL DIAGRAM - 120V 1.8 KW W/ 6-CHANNEL (GB5MF-IT)		DRAWING NO NE304		REV.	



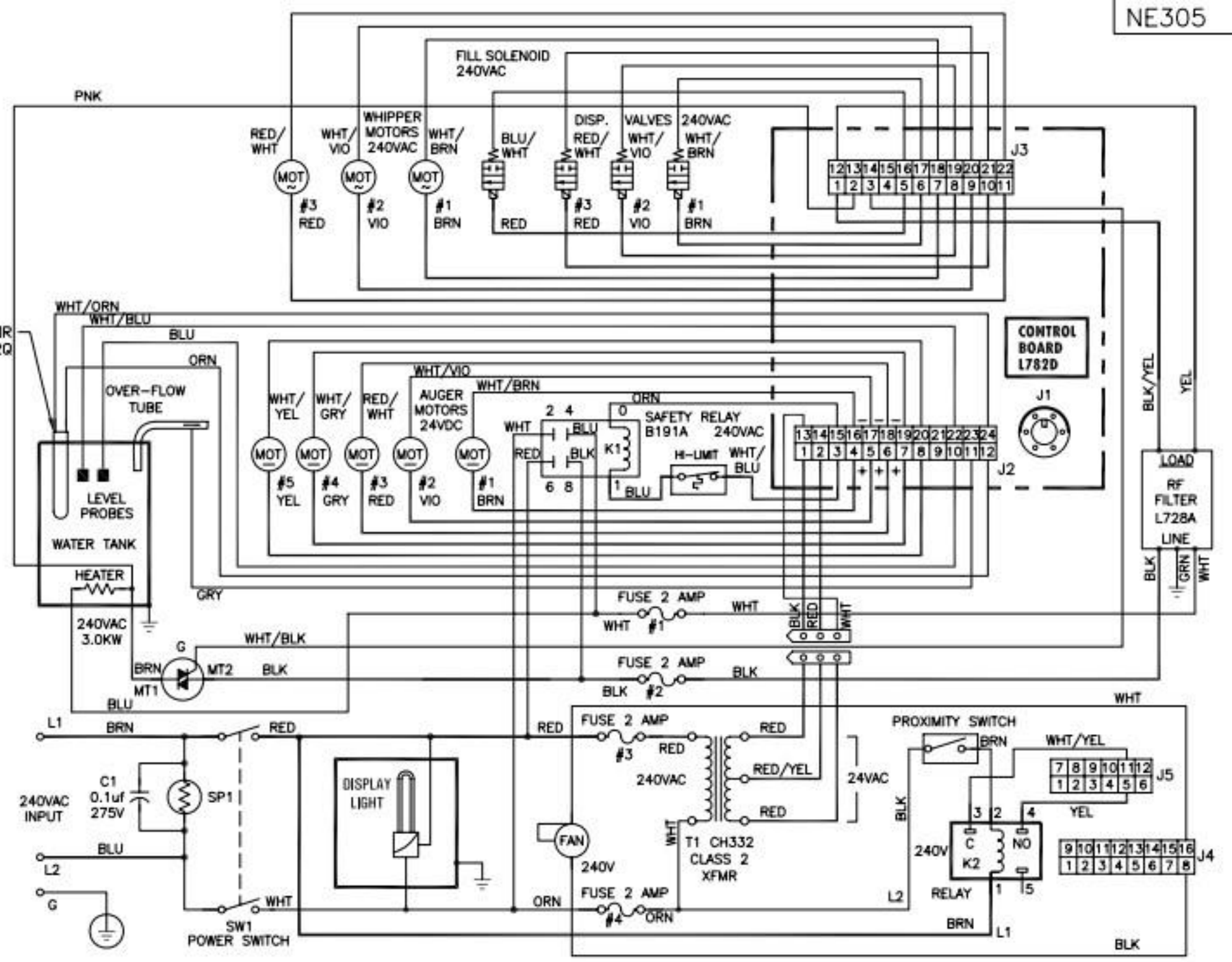
**LEDs PIN LAYOUT**

CATH	CATH	CATH	CATH	CATH	CATH	CATH	CATH	CATH	CATH	CATH	CATH	CATH	CATH	CATH
1-1	1-2	1-3	1-4	2-1	2-2	2-3	2-4	3-1	3-2	3-3	3-4			
2	3	4	5	6	7	8	9	10	11	12	13	14	15	16

C1	C2	C3	C4	C5	
R1	HW		CW	1	
R2	1-1	2-1	3-1	RINSE	2
R3	1-2	2-2	3-2	DOWN	3
R4	1-3	2-3	3-3	UP	4
R5	1-4	2-4	3-4	STOP	5
	5	7	8	10	9

**LED CIRCUIT POLARITY**  
 ANODE - COMMON  
 ↓  
 CATHODE



240V

REV	BY	DATE	DESCRIPTION
TOLERANCES ON DIMENSIONS NOT OTHERWISE SPECIFIED FINISHED DECIMAL FRACTIONAL ANGULAR ✓ ±.005 ±1/64 ±1/2" DO NOT SCALE THIS DRAWING			
MATERIAL		APPROVED BY	DATE
PART NO NE305		DRAWN BY J.L.	DATE 02/04/09
SCALE 1:1		CECILWARE CORPORATION 43-05 20 AVE. L.I.C. NY 11105	
TITLE ELECTRICAL DIAGRAM-240V/3.0KW W/ 6-CHANNEL BOARD (GB5MF-IT)			DRAWING NO NE305
			REV.