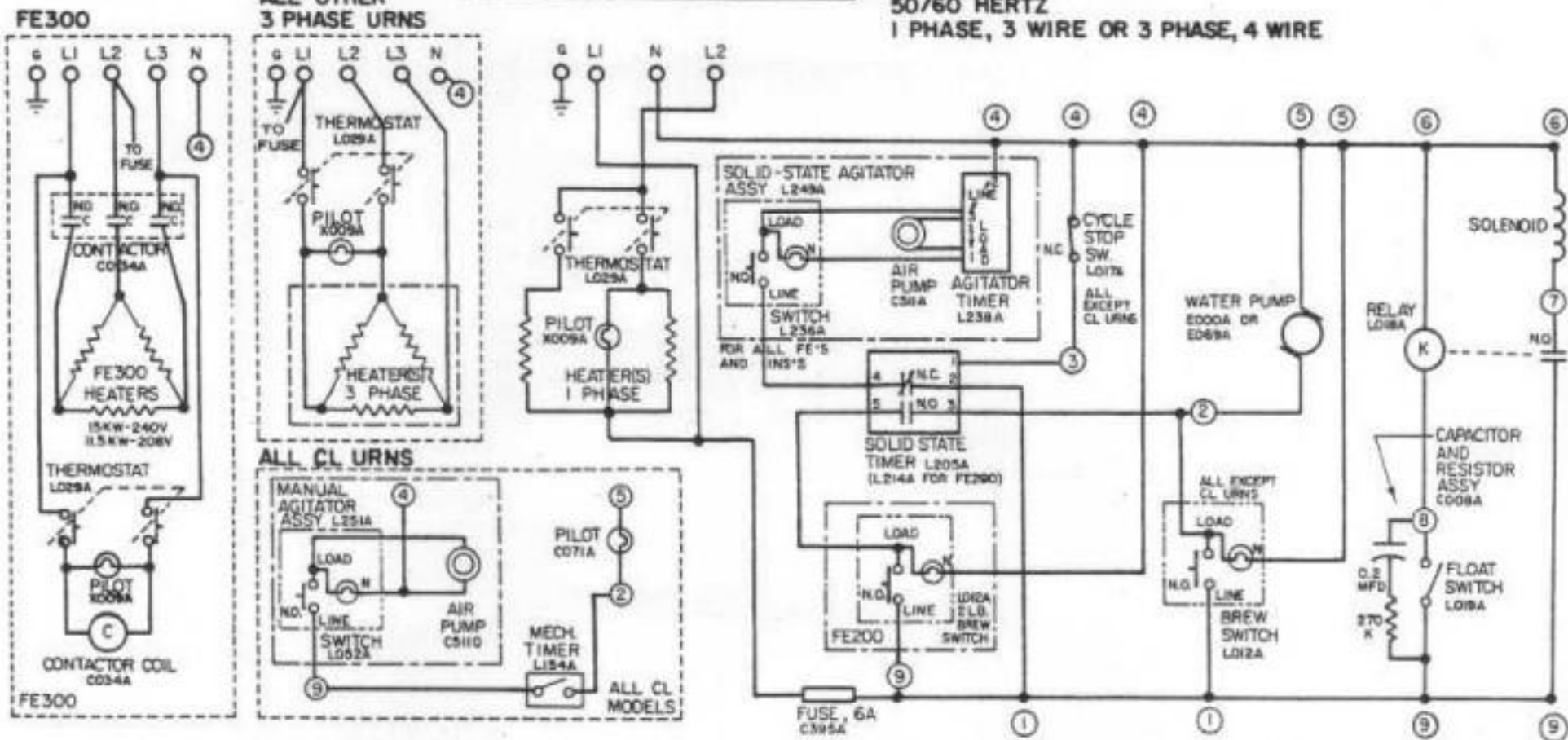


ILL. 4 - SCHEMATIC DIAGRAM - 120/208V OR 120/240V

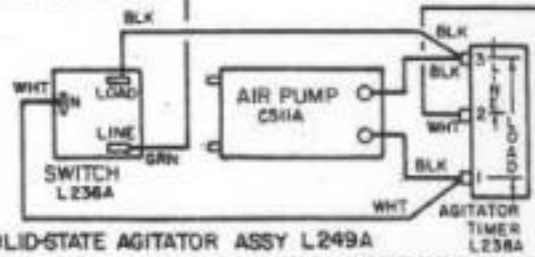
50/60 HERTZ

1 PHASE, 3 WIRE OR 3 PHASE, 4 WIRE

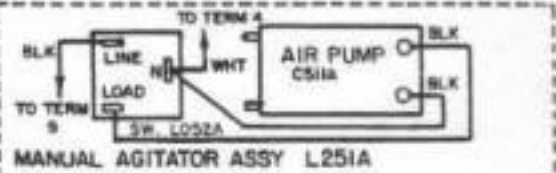


NOTE: ○ = TERMINAL BLOCK NUMBER

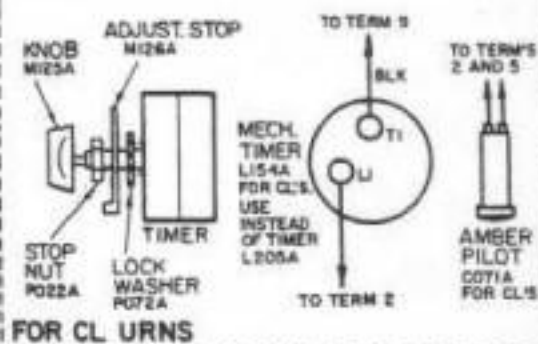
FOR ALL FE
AND INS URNS



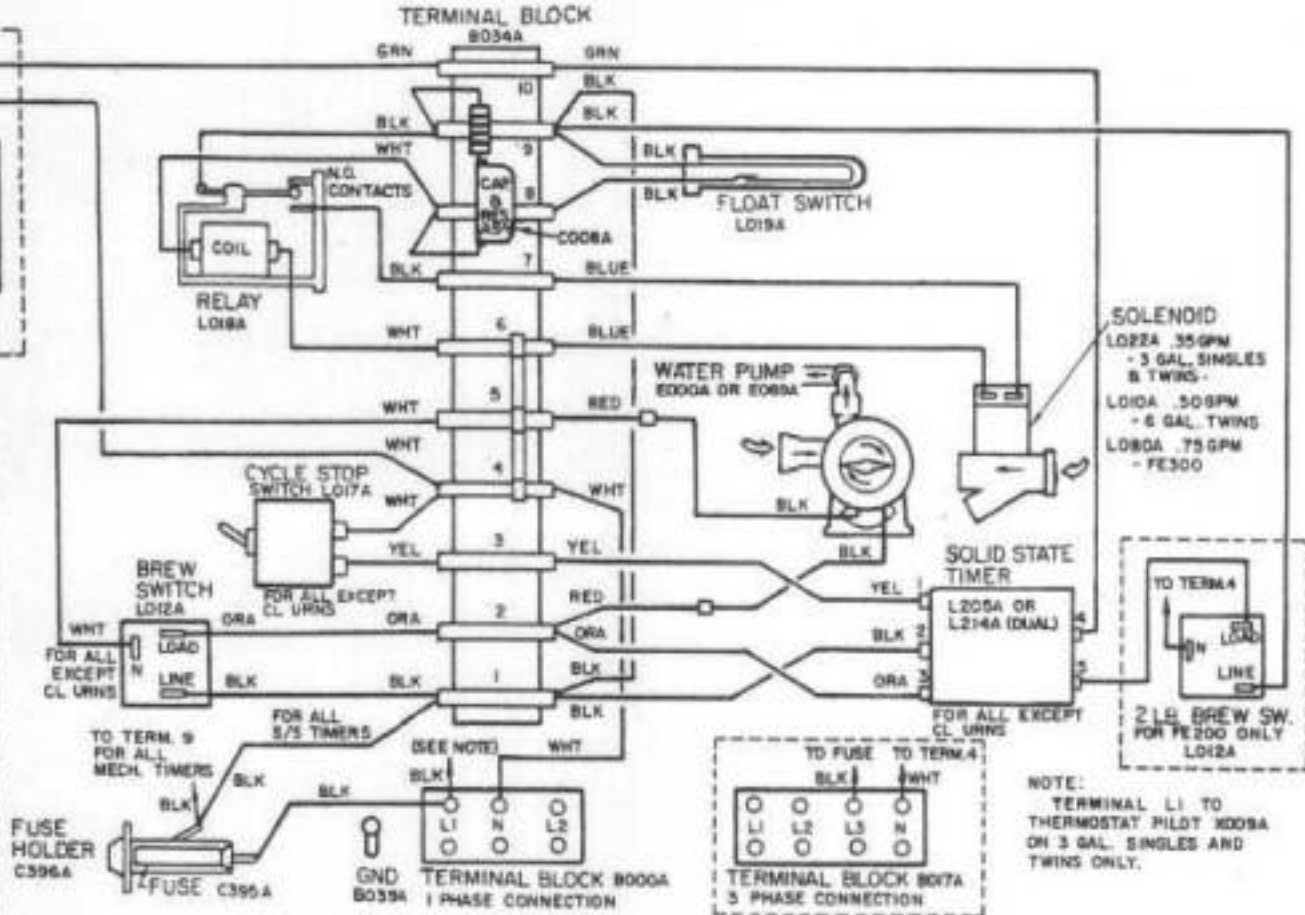
SOLID-STATE AGITATOR ASSY L249A



MANUAL AGITATOR ASSY L251A

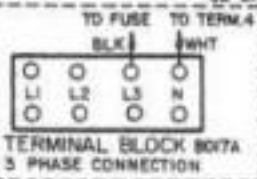


FOR CL URNS



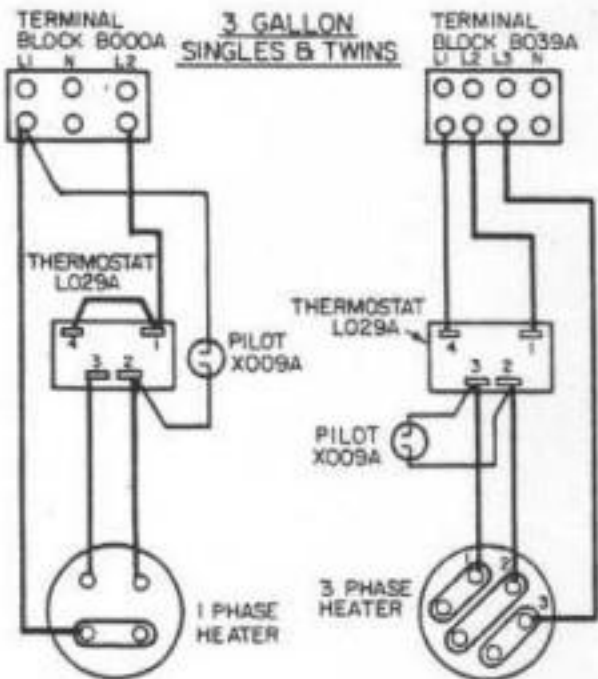
SOLENOID
L022A .35 GPM
- 3 GAL. SINGLES
& TWINS -
L010A .50 GPM
- 6 GAL. TWIN
L080A .75 GPM
- FE300

NOTE:
TERMINAL L1 TO
THERMOSTAT PILOT X009A
ON 3 GAL. SINGLES AND
TWIN ONLY.



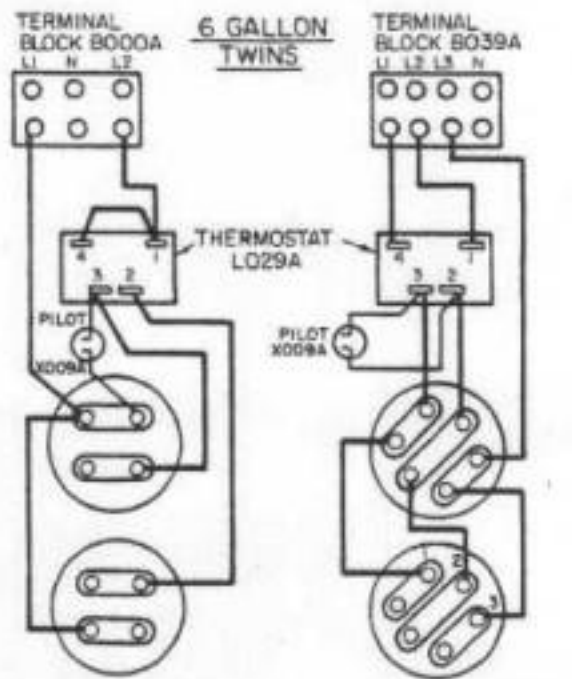
TERMINAL BLOCK B017A
3 PHASE CONNECTION

TERMINAL BLOCK B000A
1 PHASE CONNECTION



GO13A (8 KW) FOR FE100, INS100, CR533
GO31A (7 KW) FOR FE75, INS75, CR53, CL75, CL100

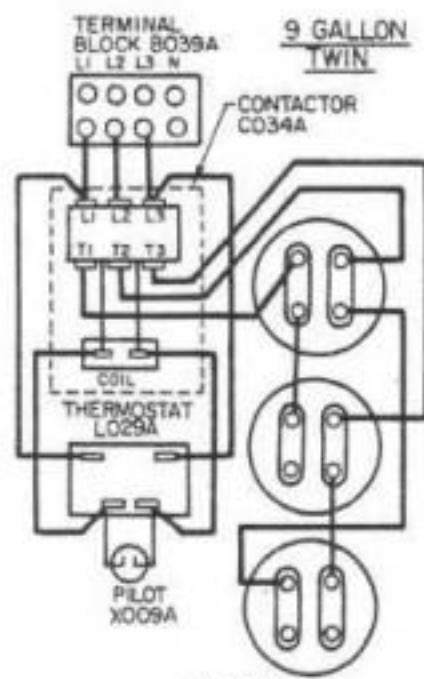
GO26A (8 KW) FOR FE100, INS100, CR533, CL100
GO24A (6 KW) FOR FE75, INS75, CR53, CL75



1 PHASE HEATERS
GO11A (5 KW EACH)

3 PHASE HEATERS
GO18A (5 KW EACH)

FOR FE200, FE250, CR566, CL200



1 PHASE HEATERS FOR FE300
GO11A (5 KW EACH)
15 KW,
3 PHASE