

FRESH BREWED ICED TEA DISPENSER SYSTEM

OPERATION MANUAL

Specifications
Installation & Start-Up
Tea Strength Adjustment
Cleaning
Parts List
Troubleshooting Guide
Wiring Diagram

Specifications	Dimensions	Shipping Wt.
Model No.	D x W x H	(lbs.)
FBT3 (Plastic)*	22" x 9½" x 26½"	32
FBT3SS (Stainless)*	25½" x 13" x 27"	34
SSC-1 (Stainless)	15½" x 11½" x 18"	13
BSS-1 (Stainless Base)	15½" x 11½" x 18"	10
T1F (Plastic)	9" x 12½" x 16"	6½

*Water Connection = ¼" Flare Fitting

Capacity: 3 gallons

Electrical: 120V, 1500W, 12.5 Amps, Line Cord Connected.



INSTALLATION AND OPERATING INSTRUCTIONS:

- Carefully remove brewer from carton.
- Remove plastic urn and empty contents.
- Install (4) 4" legs to bottom of unit.
- Install brass inlet fitting to water valve.
- Set unit into position and connect water line.
- Turn water on - check for leaks.
- Insure heater switch, located at the upper right rear of unit is in "OFF" position.
- Plug unit into 110-120 volt grounded outlet fused at 15 AMPS.
- Assemble faucet to plastic urn as per enclosed instructions, replace urn with cover making sure it is in its proper position.
- Check to make sure brew basket is in position.
- Depress "RED" power switch.
RED LIGHT in switch should now be on.
- IMPORTANT!**
During the hot water tank filling operation water will flow from the dilution tube assembly. Therefore it is extremely important that the urn is in place in order to provide a basin for this water.
To fill hot water tank proceed as follows:
 - Depress "RED" power switch - Red Light in switch should now be on.
 - Depress "GREEN" brew switch and allow "FRESH - T" unit to complete one cycle.

WARRANTY

Every Cecilware product has been carefully inspected before shipment. The finest of materials and the highest standards of workmanship have been built in to the equipment.

Within 1 year of purchase, should any Cecilware product show defect in factory workmanship or material, we agree to repair, at our option or replace without cost to user such parts which prove upon factory inspection to have been so defective. All equipment must be shipped transportation charges prepaid for acceptance. This warranty covers replacement parts only, labor charges are covered for 90 days after installation.

This warranty does not apply under the following conditions:

- neglect or abuse of equipment
- excessive lime condition
- improper installation
- any outside modification to equipment

Every Cecilware urn body is covered for three years. This warranty covers the stainless steel body and stainless steel liners only.

Portable equipment such as Electric Fryers, Food Warmers, Electric Stoves, Dispensers, Plug-In Urns, Coffee Brewers and Warmers must be returned to the factory or brought to an authorized service station for repair.



EXECUTIVE OFFICE & FACTORY

43-05 20th Avenue
Long Island City, NY 11105
Telephone: (718) 932-1414
Fax: (718) 932-7860

WESTERN OFFICE & FACTORY

2551 Fernwood Avenue
Lynwood, CA 90262
Telephone: (310) 774-0770
Fax: (310) 774-1314

INSTALLATION AND OPERATING INSTRUCTIONS (continued):

- C. Empty urn of water accumulated during first cycle.
- D. Depress "Green" Brew switch once again. Near the end of this cycle water should flow from brew funnel, when this happens depress "RED" Power switch to terminate cycle.
- 13. Locate heater switch at upper right rear of unit and switch to the "UP" or "ON" position. Allow 15 minutes for water to heat before proceeding.
- 14. Empty water from urn which may have accumulated during tank filling.
- 15. A. If using 3 gallon tea bags simply remove brew funnel and place bag inside (no wire basket is necessary if using Tea bag).
B. If using ground Tea Leaves make sure that wire basket is in place in the brew funnel. Place one paper filter into wire basket. Add tea and replace brew funnel.
- 16. WITH "RED" POWER SWITCH ON, DEPRESS "GREEN" Brew switch and allow 10 to 12 minutes to complete brew time. Make sure funnel drip-out is completed before removing brew funnel.
- 17. As required dispense tea from urn faucet into tea glass with ice.

CLEANING INSTRUCTIONS:

- Daily:**
- 1. Wipe exterior of dispenser with a soft damp cloth.
 - 2. Wash tea reservoir with mild soap and warm water. Rinse thoroughly and replace on stand.

TEA BREWER ADJUSTMENTS:

The Tea Brewer has been factory set to brew 3 Gallons of tea. Should it become necessary to readjust or adjust for amounts less than 3 Gallons follow these steps below.

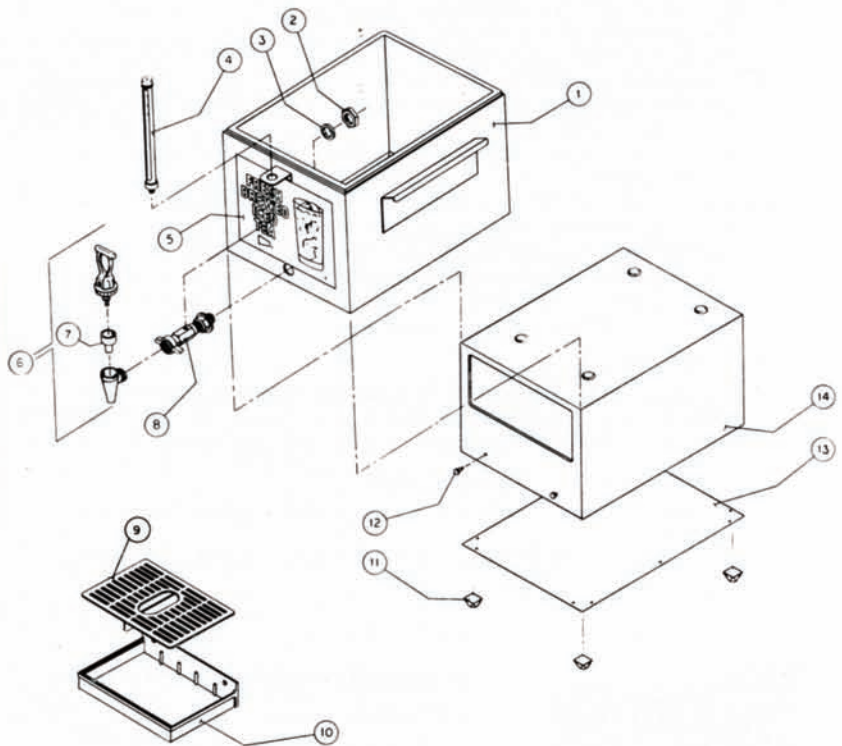
TIMER ADJUSTMENT:

- 1. Unplug unit.
- 2. Remove 3 Phillips screws securing top panel.
- 3. Lift off top cover exposing timer.
- 4. To Brew more tea turn timer knob clockwise, to brew less tea turn timer knob counterclockwise.
- 5. Plug unit in and cycle unit. Repeat adjustment as necessary until desired volume is attained.

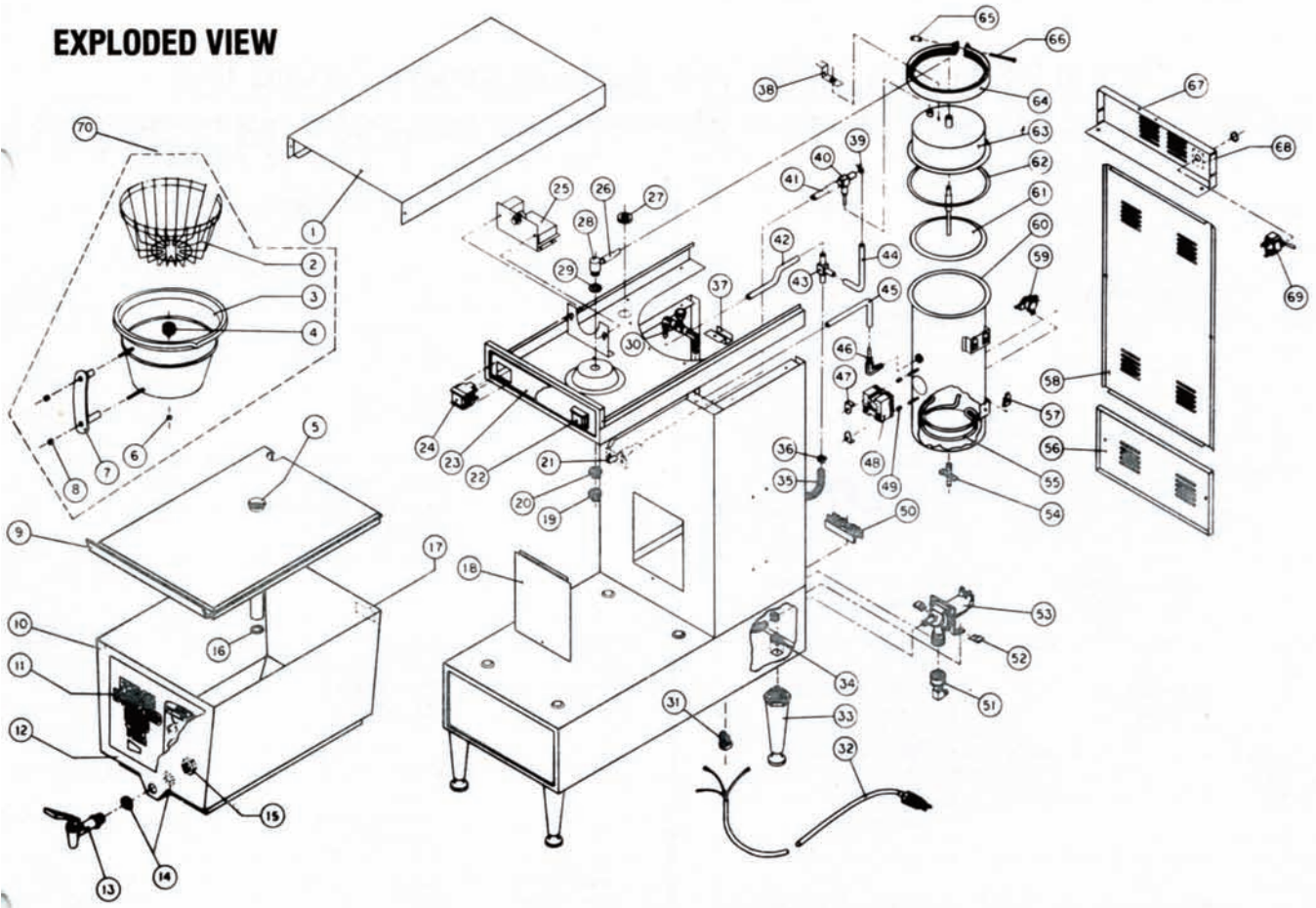
BREW VOLUME ADJUSTMENT (Adjustor Assembly):

- 1. Follow steps 1 - 3 in timer adjustment procedure.
- 2. Locate Brew Volume adjustment screw on clear block in front of tank top. (30)
- 3. With Brew Funnel out of unit, but with urn in place, plug unit in and Depress Brew Switch. CAUTION: HOT WATER MAY SPATTER AT THE BEGINNING OF CYCLE!
- 4. ADJUST FLOW FROM SPRAY HEAD BY TURNING VOLUME ADJUSTMENT SCREW CLOCKWISE TO REDUCE FLOW AND COUNTERCLOCKWISE TO INCREASE FLOW. AT PROPER ADJUSTMENT SPRAY PATTERN WILL FALL APPROXIMATELY 2 INCHES FROM TOP INSIDE OF URN WALLS.
- 5. PLUG UNIT IN.
- 6. REPLACE BREW FUNNEL, EMPTY URN AND PUSH BREW SWITCH. THE BREW VOLUME ADJUSTMENT IS CORRECT WHEN, AT THE END OF THE BREW CYCLE DILUTION STREAM STOPS. THE BREW FUNNEL HAS FILLED TO WITHIN 1" FROM THE TOP. BE CAREFUL NOT TO OVERFILL BREW FUNNEL.

PARTS LIST		
FIG. #	DESCRIPTION	PART #
1	CARRIER ASSEMBLY (SSC-1)	97243
2	NUT-FAUCET	K105C
3	WASHER-FAUCET SHANK	07229
4	SIGHT GLASS ASSEMBLY	80245
5	DECAL	15546
6	FAUCET	80244
7	SEAT CUP	80222
8	FAUCET SHANK FOR SIGHT GLASS ASSEMBLY	92189
8A	FAUCET SHANK W/O SIGHT GLASS	92192
9	CUP REST	75015
10	DRIP TRAY	75014
11	FEET	10059
12	STUD-DRIP TRAY	97007
13	BASE COVER	40990
14	STAND ASSEMBLY (BSS-1)	97242
See Exploded View for:		
5	DROP TUNE	77240
9	TANK LID	86020
16	"O" RING	20014



EXPLODED VIEW



PARTS LIST

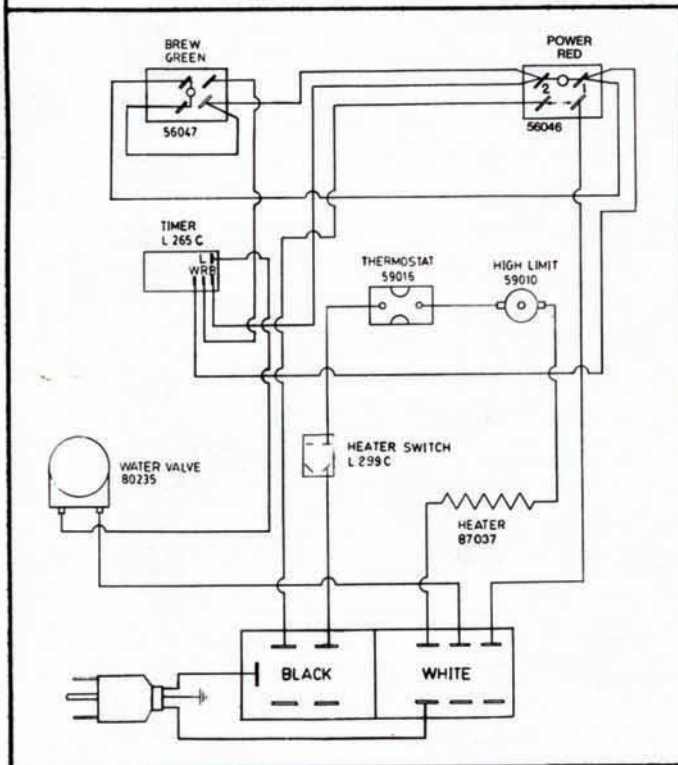
Fig. #	DESCRIPTION	PART #	Fig. #	DESCRIPTION	PART #
1	TOP COVER	40941	36	CLAMP IDEAL	34033
2	WIRE BASKET (OPTIONAL)	75057	37	ADJUSTOR BRACKET	97219
3	BREW FUNNEL ONLY	97504	38	HOLD DOWN BRACKET	73317
4	RESTRICTOR/SCREEN ASSY.	38325	39	HOSE CLAMP	34025
5	DROP TUBE	77240	40	TEE EXPANSION ASSY	97221
6	RESTRICTOR ASSY. NUT	03045	41	SILICONE TUBE 6 1/2"	77278
7	HANDLE	02016	42	SILICONE TUBE 9"	77246
8	BREW FUNNEL NUT	03069	43	TEE	10054
9	TANK LID	86020	44	SILICONE TUBE 6 1/2"	77244
10	URN TANK	86011	45	SILICONE TUBE 9"	77246
11	DECAL-FRESH BREWED TEA	15546	46	HOSE BARBELBOW	09295
12	DECAL-FILL LINE LEVEL	15551	47	THERMOSTAT BRACKET	73276
13	FAUCET	80218	48	THERMOSTAT	59016
14	WASHER	19015	49	SPACER	38265
15	NUT-FAUCET	03047	50	TERMINAL BLOCK	60105
16	"O" RING	20014	51	INLET HOSE FITTING	95101
17	DISHWASHER LABEL	15552	52	TINNERMAN NUT	03016
18	ACCESS PANEL	40934	53	WATER VALVE	80235
19	SPRAY HEAD	09296	54	TANK DRAIN VALVE	80224
20	SPRAY HEAD NUT	K107C	55	HEATING ELEMENT	87037
21	DILUTION TUBE ASSY.	97216	56	LOWER REAR PANEL	40916
22	POWER SWITCH	56046	57	TINNERMAN NUT	03011
23	DECAL-SWITCH	15547	58	REAR CENTER PANEL	40918
24	BREW SWITCH	56047	59	HIGH TEMPERATURE CONTROL	59010
25	TIMER	L265C	60	TANK	97132
26	TUBE TANK/SPRAY HEAD	77243	61	TANK BAFFLE	97215
27	GROMMET	M090C	62	GASKET SEAL	20039
28	SPRAY HEAD FITTING ASSY.	95138	63	TANK TOP	97214
29	WASHER	M197C	64	TANK CLAMP	97131
30	ADJUSTOR ASSY.	99603	65	TANK CLAMP NUT	03053
31	STRAIN RELIEF	57032	66	TANK CLAMP BOLT	06121
32	POWER CORD	44242	67	REAR TOP COVER	40938
33	4" PLASTIC LEG (SET OF 4)	M172C	68	DECAL HEATER ON-OFF	15589
34	NUT RETAINER	03068	69	HEATER SWITCH	L069C
35	TUBING BRAIDED 21 1/2"	77273	70	BREW FUNNEL ASS'Y.	95501

TROUBLE SHOOTING GUIDE - For Qualified Service Persons Only

Warning: Unplug the dispenser power cord before repairing or replacing any internal components of units.

Trouble	Probable Cause	Remedy	Trouble	Probable Cause	Remedy
No Water When Brew Switch is Depressed	A) Dispenser Unplugged	A) Plug Unit In	Tea Too Weak	D) Inoperative High Limit	D) Replace High Limit
	B) Circuit Breaker Off or Tripped	B) Reset Breaker		E) Loose Electrical Connection	E) Check All Electrical Connections for Contact
	C) Power Switch Off	C) Depress "RED" Power Switch	Tea Too Strong	A) Too Much Water (IN EXCESS OF THREE GALLONS)	A) Turn Timer Counter Clockwise and Re-Brew Repeat until desired Strength is achieved
	D) Inoperative Dispense Switch	D) Replace Switch		B) Adjustor Assembly out of Adjustment	B) Refer to Adjustor Assembly instructions
Water Does Not Shut Off	E) Inoperative Timer	E) Replace Timer	C) Brew Water Not Hot Enough	C) Turn Up Thermostat	
	F) Hot Water Tank Not Full	F) Refer To Tank Filling Instructions	D) Spray Head Limed Up	D) Remove Spray Head and Delime. When Replacing Spray Head Tighten only Finger Tight	
	G) Water Supply Off	G) Turn On Water	Water Boils	A) Not Enough Water (LESS THAN 3 GALLONS)	A) Turn Timer Knob Clockwise and Rebrew, Repeat until Desired Strength is Achieved
	H) Inlet Screen Plugged	H) Remove Screen & Clean		B) Malfunctioning Thermostat	A) Replace Thermostat
Water Leaks From Tank Vent Tube	I) Inoperative Inlet Water Valve	I) Replace Water Valve	B) Thermostat Not Contacting Tank	B) Tighten Retaining Nuts	
	J) Loose Electrical Connection	J) Check all Electrical Connections for contact	Water Spills Over Top of Brew Funnel	A) Adjustor Assy Set Too High	A) Refer To Adjustor Assembly Instruction
Water From Spray Head Not Hot	A) Leaking Inlet Water Valve	A) Replace Valve		B) Brew Funnel Clogged	B) Remove Restrictor/Screen Assy and Clean
	B) Brew Switch Stuck	B) Replace Switch			
	C) Faulty Timer	C) Replace Timer			
Water Leaks From Tank Vent Tube	A) Dilution Tube Blocked or Limed Up	A) Remove Tube and Check for Blockage			
	B) Vacuum Tee Plugged	B) Remove Tee and Check for Blockage			
Water From Spray Head Not Hot	A) Heater Switch In "Off" Position	A) Turn On Switch			
	B) Inoperative Thermostat	B) Replace Thermostat			
	C) Inoperative Heating Element	C) Replace Heating Element			

WIRING DIAGRAM



BREW VOLUME ADJUSTMENT DIAGRAM

