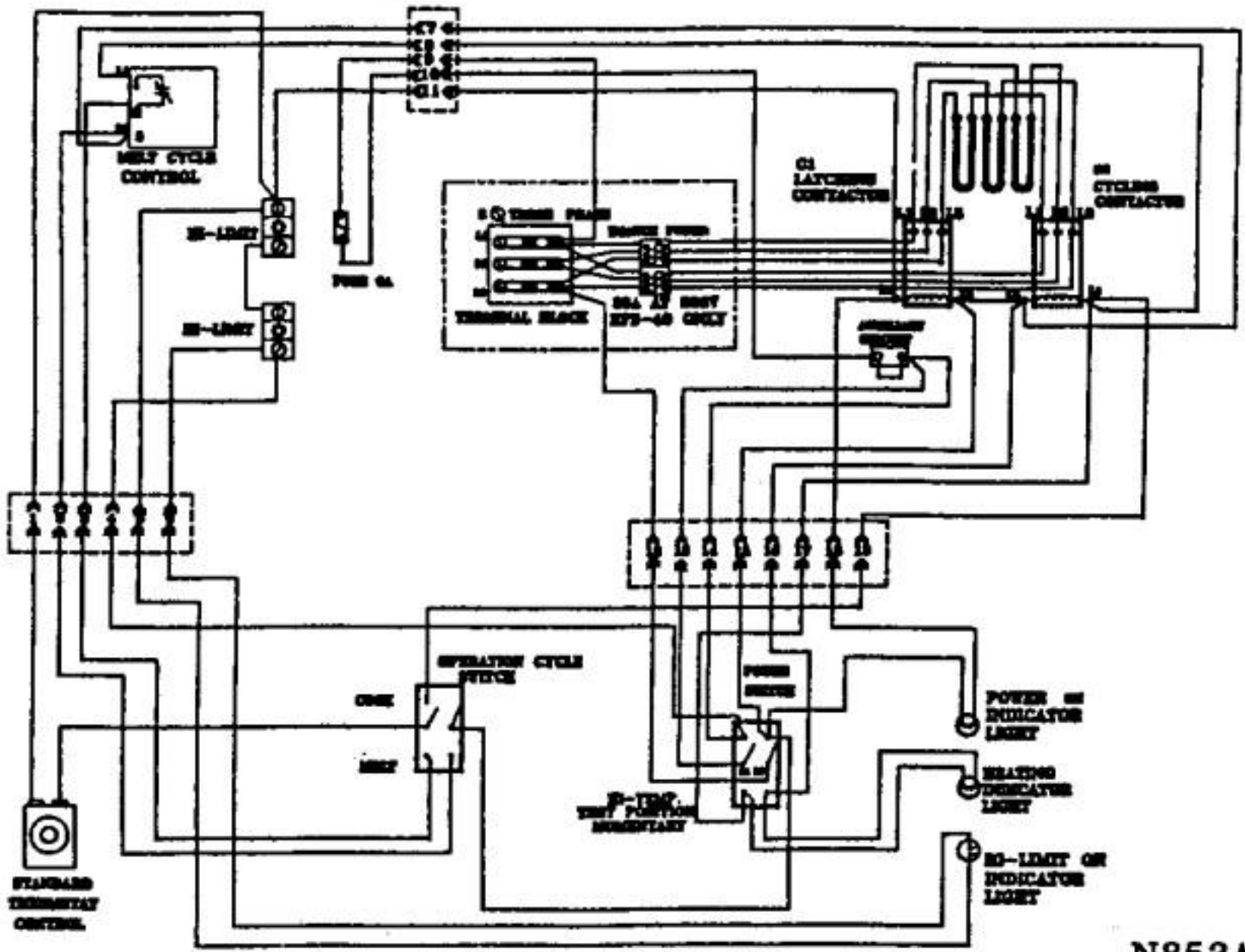


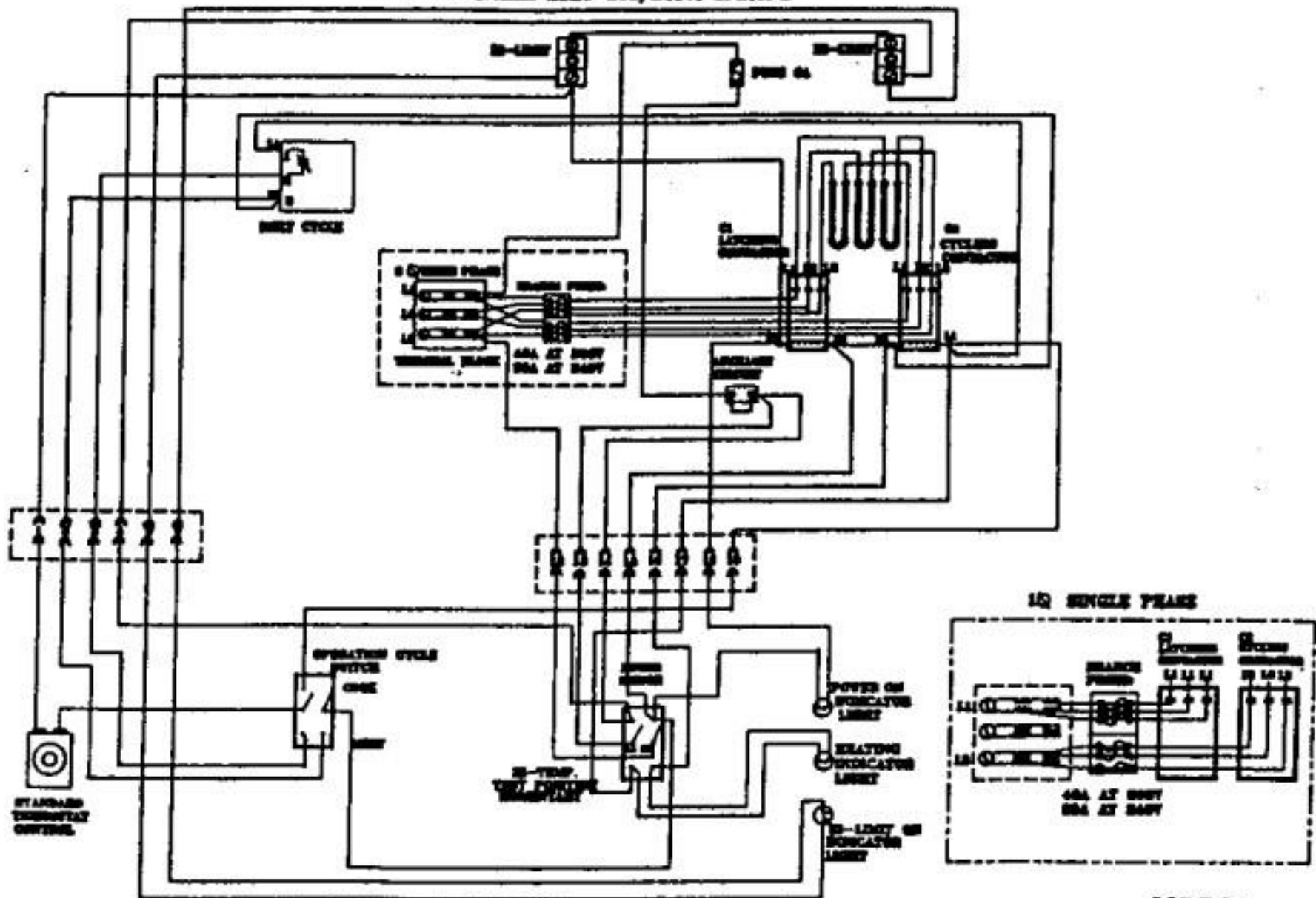
EFS/EFP-30,40 WITH STANDARD THERMOSTAT CONTROL

WIRING DIAGRAM: 13.5KW, 18KW 208/240V 3PH

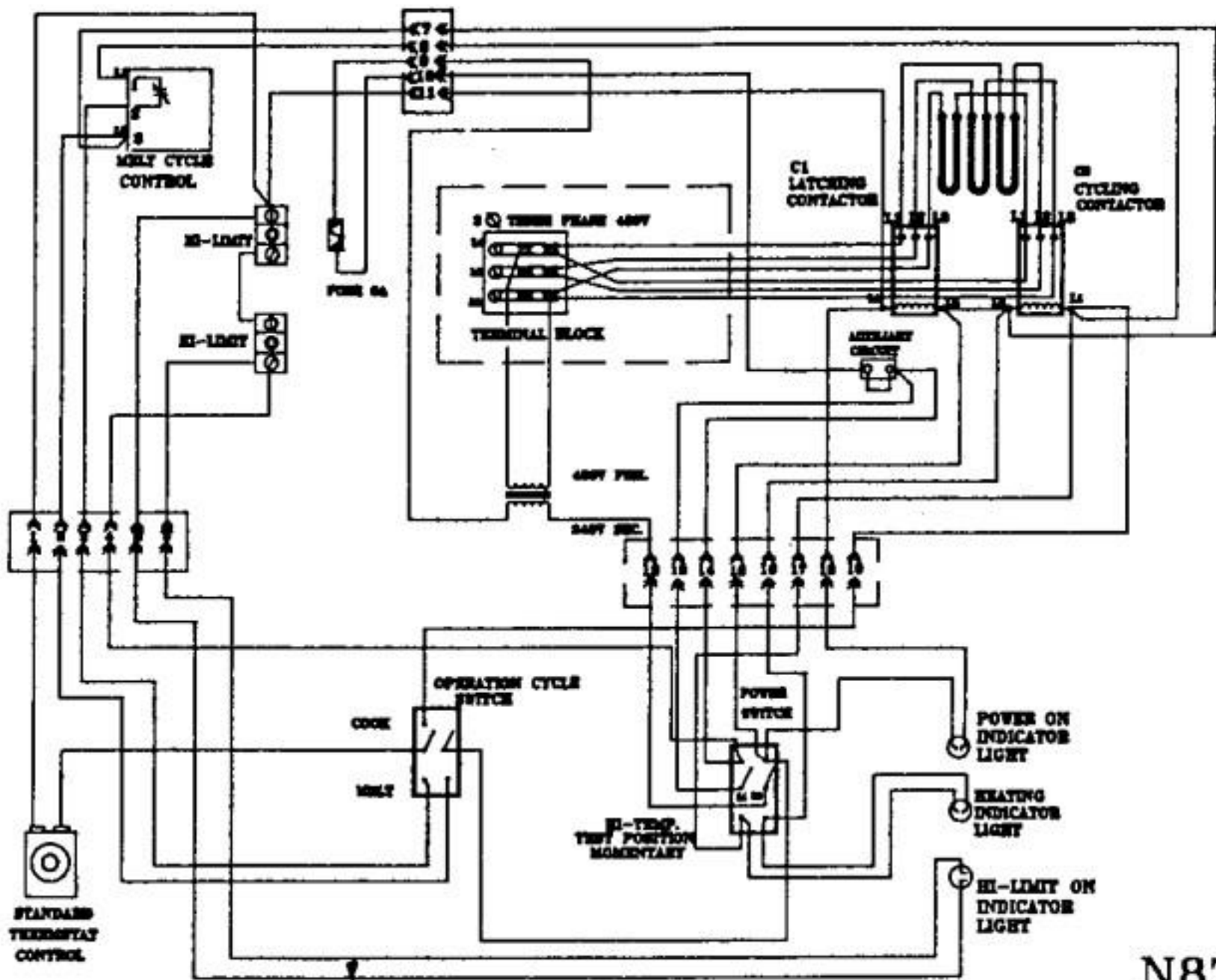


KFS/EFP-65 WITH STANDARD THERMOSTAT CONTROL

WIRING DIAGRAM 21KV 200/240V. 50/60 HZ.



N856A



N870A

