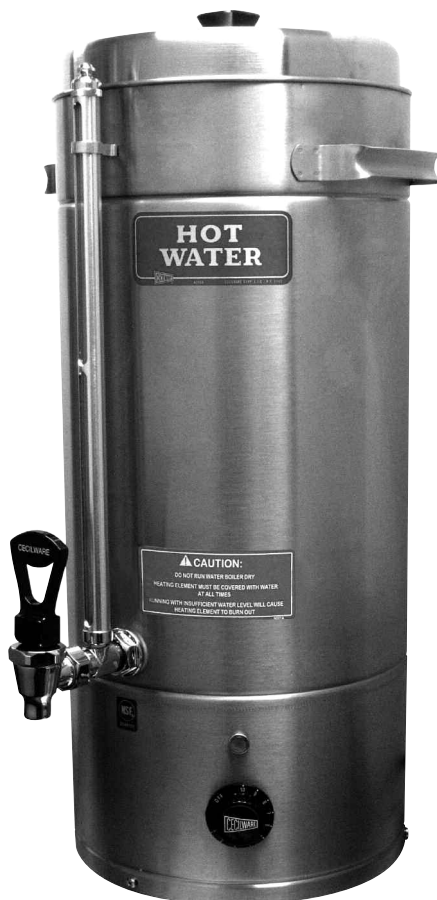




Since 1911

Portable Hot Water Boilers

Instruction Manual



Model: CS113 and CS115

Special Features:

- Precision Thermostat For Accurate Temperature Control.
- Portable, Easily Moved To Any Convenient Location.
- Sight Glass Indicates Water Level.

CAUTION:

Do Not Run The Unit Dry (without water)

Turn thermostat knob all the way counterclockwise to OFF position. Fill with fresh water, plug into electric outlet, turn thermostat knob clockwise to the maximum setting of "10", then turn to the desired temperature (between 5 and 8).

Cecilware Corporation 43-05 20th. Avenue, LIC NY 11105
Tel: 800.935.2211 / 718.932.1414 • Fax: 718.932.7860
Email: customer.service@cecilware.com



Since 1911

www.cecilware.com

Portable Hot Water Boilers CS113 and CS115

Very Important Setup Instructions:

Do Not Run The Unit Dry (*without water*)

Turn thermostat knob all the way counterclockwise to OFF position. Fill with fresh water, plug into electric outlet, turn thermostat knob clockwise to the maximum setting of "10", then turn to the desired temperature (between 5 and 8).

Cleaning Instructions:

- 1 Wipe exterior with a soft, damp cloth.
- 2 Clean urn inside with mild soap and water. Rinse thoroughly.

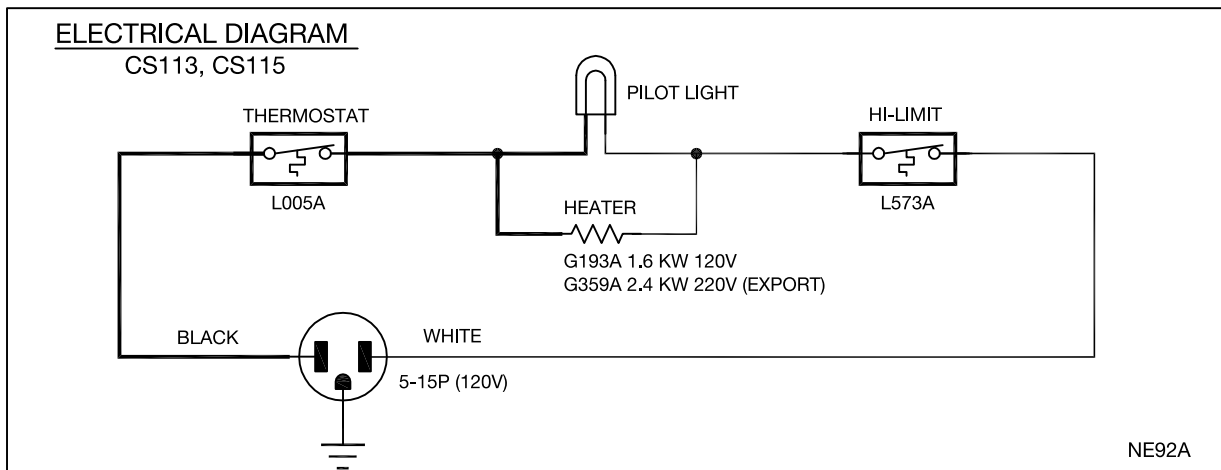
Specifications



NEMA 5-15R

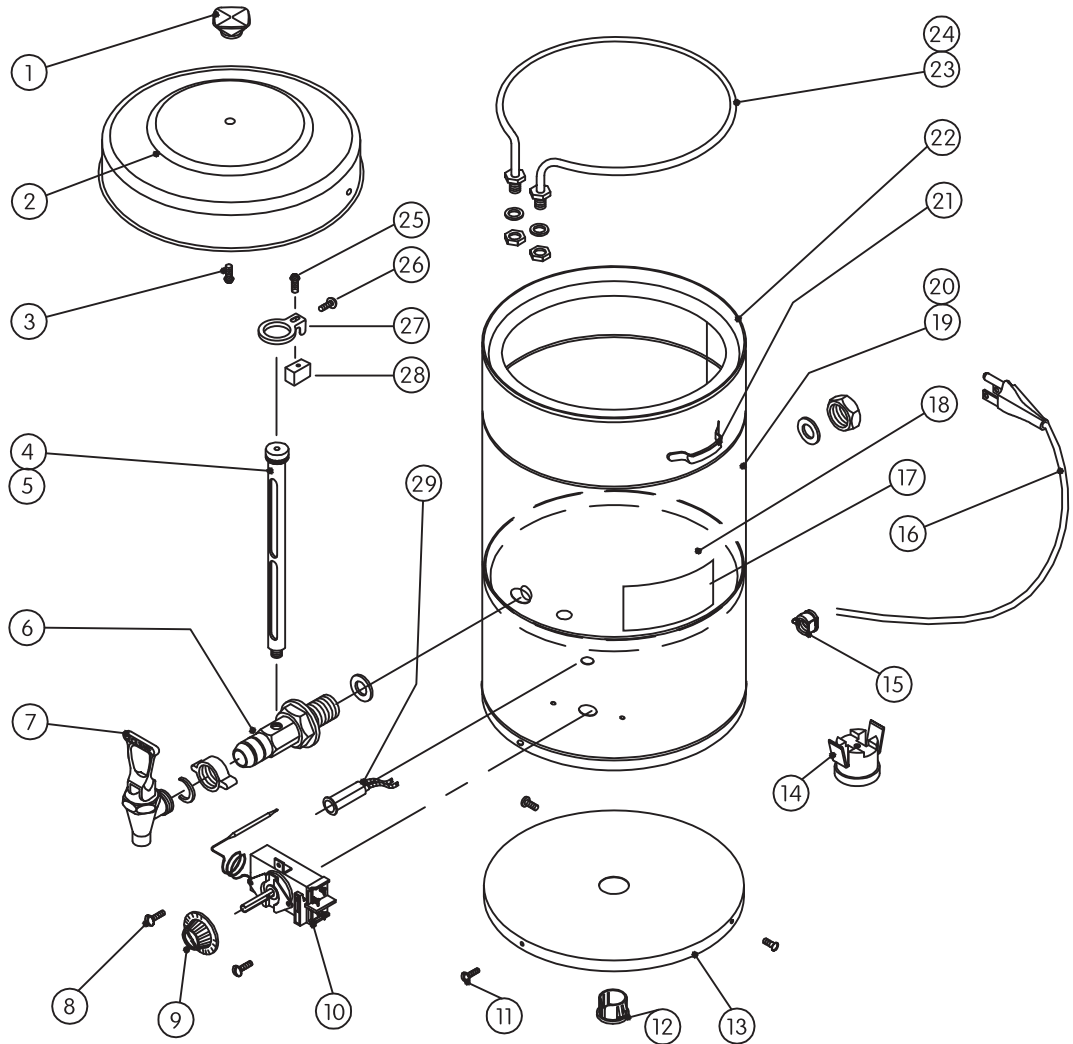
Model	Description	Dimensions Diameter x H	Electrical	Ship Weight
CS113	3 gal. Holding Urn/Water Boiler	11" diameter x 21½"	120V, 1.4KW, 11.6A	15 lbs.
CS115	5 gal. Holding Urn/Water Boiler	11" diameter x 27½"	120V, 1.4KW, 11.6A	18 lbs.

Electrical: Cord & plug set included, Nema plug 5-15P. Export voltage 2.4KW 220V available. **Body Construction:** Stainless steel.



Portable Hot Water Boilers CS113 and CS115

Parts List CS113 & CS115



ITEM	DESCRIPTION	PART #	ITEM	DESCRIPTION	PART #
1	URN COVER KNOB	M027A	16	LINE CORD	C032A
2	COVER, URN	Q004A	17	CAUTION LABEL	N001A
3	SCREW, PAN HD PHIL S.S. 10-24 X 1/2"	P264A	18	BOTTOM, WATER COMPARTMENT	Q187A
4	GAUGE GLASS SHIELD 8" (CS113)	D023A	19	URN BODY (CS113)	R045A
5	GAUGE GLASS SHIELD 10 3/4" (CS115)	D018A	20	URN BODY (CS115)	R046A
6	GAUGE SHANK	D021A	21	HANDLE	M007A
7	FAUCET	D064A	22	PLUG IN COLLAR	Q012A
8	SCREW, THERMOSTAT	P018A	23	HEATER ELEMENT 120 V	G193A
9	THERMOSTAT KNOB	M008A	24	HEATER ELEMENT 220 V	G359A
10	THERMOSTAT	L005A	25	SCREW, PAN HD PHIL S.S. 6-32 X 1/4" L	P688A
11	SCREW, 8-32 X 3/8" SELF TAP	P140A	26	SCREW, PAN HD PHIL S.S. w/O-RING 10-32 X 3/8" L	N001A
12	HOLE PLUG (1.250 DIA)	P300A	27	SIGHT GLASS RETAINER	UB17A
13	BOTTOM COVER	Q186A	28	RETAINER MOUNTING BLOCK	K808A
14	HI-LIMIT	L573A	29	PILOT LIGHT	C002A
15	STRAIN RELIEF	B012A			

Cecilware Corporation 43-05 20th. Avenue, LIC NY 11105
Tel: 800.935.2211 / 718.932.1414 • Fax: 718.932.7860
Email: customer.service@cecilware.com



Since 1911

www.cecilware.com