



**Cecilware®**

# Operator Manual

## Electric Cheesemelter

CM24M, CM24Q, CM36M, CM36Q



Activate your warranty now at  
<http://gmcw.com/warranty-registration>



### Table of Contents

Safety Information .....	2	Cleaning .....	3
Unpacking .....	2	Maintenance .....	3
Installation .....	2	Parts Diagram and List .....	4
Operation .....	3	Wiring Diagram .....	4

Thank you for purchasing this quality Cheesemelter. For your safety and the safety of others, read all warnings and the operator's manual before installing or using the product. Properly instruct all operators. Keep training records. For future reference, record serial number here:

#### Grindmaster-Cecilware

4003 Collins Lane, Louisville, KY 40245 USA  
Phone: 502.425.4776 Toll Free: 800.695.4500  
Fax: 502.425.4664  
Web: [gmcw.com](http://gmcw.com) Email: [info@gmcw.com](mailto:info@gmcw.com)

Grindmaster-Cecilware provides the industry's BEST warranty. Visit [gmcw.com](http://gmcw.com) for warranty terms and conditions.



**Grindmaster  
Cecilware**

## Safety Information

### Important Safety Information



This is the safety alert symbol. It is used to alert you to potential personal injury hazards. Obey all safety messages that follow this symbol to avoid possible injury or death.

For your safety and the safety of others, read all warnings and the operator's manual before installing or using the product.

**DANGER:** This term warns the user of imminent hazard that will result in serious injury or death.

**WARNING:** This term refers to a potential hazard or unsafe practice, which could result in serious injury or death.

**CAUTION:** This term refers to a potential hazard or unsafe practice, which could result in minor or moderate injury.

**NOTICE:** This term refers to information that needs special attention or must be fully understood.

### **⚠ WARNING**

- Do not deform power cord.
- Follow national and local electrical codes.
- Do not store or use gasoline or other flammable vapors and liquids in the vicinity of this or any other appliance.
- Use only on a dedicated circuit load that is properly protected and capable of the rated load. Do not use extension cords, as this could result in electrical shock, overheating, and fire.
- Risk of electrical shock. Disconnect power before servicing or cleaning unit. Contact Grindmaster-Cecilware Technical Service for service assistance.
- If the supply cord is damaged, it must be replaced by the manufacturer, its service agents or similarly qualified persons in order to avoid a hazard.

FAILURE TO COMPLY TO THE ABOVE RISKS PERSONAL INJURY, SHOCK HAZARD, FIRE, OR DAMAGE TO EQUIPMENT.

### **⚠ CAUTION**

- Read and understand the operating instructions in this manual thoroughly. Only allow properly trained persons to operate this machine.
- Stay alert at all times during operation.
- Operate with care. Surfaces will get very hot and may cause serious burns.

### **NOTICE**

- Keep operating area clean.

## Unpacking

Carefully lift unit out of shipping container, and inspect immediately for shipping damage. Your Cheesemelter was shipped in a carton designed to give it maximum protection. It was thoroughly inspected before leaving the factory. File any claims for shipping damage or irregularities directly with the carrier.

## Installation

### **Mechanical Installation**

**Counter location:** Select a suitable location for your cheesemelter and adjust the leveling legs on the bottom of the unit to level it and prevent rocking. Height may be adjusted by turning the feet up or down as desired.

**Pass-thru location:** Remove the outer and inner back panels and adjust the leveling legs.

**Wall mounted:** Remove the outer back panel and mount the wall brackets to the back of the unit using the same screws. Refer to diagram on page 4. Position the Cheesemelter on the wall and mark the four holes through the mounting brackets on the wall. Use 5/16" diameter toggle bolts 2" long or an equivalent fastener to mount the unit to the wall.

## Installation (continued)

### Electrical Installation

**CM24M and CM24Q:** provide a suitable 120V - 15A wall outlet.

**CM36M and CM36Q:**

**FOR QUALIFIED SERVICE PERSONS ONLY**

**▲ WARNING:** Electrical shock hazard. Make sure main disconnect is off before connecting unit.

Before connecting the unit, read the electrical specification label. Verify that the power supply available matches the information on this label.

Remove the cover from the field wiring compartment located on the bottom of the Cheesemelter. Use a suitable conduit fitting and connect two #10 wires from the power source to terminal L1 and L2 of the terminal block and a ground wire to the grounding lug marked GND. Refer to **Wiring Diagram** next page.

### Operation

Apply power to the unit and turn the infinite switch knob(s) to the high position. Allow a few minutes for the element(s) to reach operating temperature. Place the wire rack at the desired level and the cheesemelter is ready to operate. Adjust the knob(s) for the proper heat and adjust the rack for the type of food you are preparing.

### Cleaning

**▲ CAUTION:** To avoid burns, allow unit to cool before cleaning.

Use a mild detergent on the stainless exterior and a commercial cleaner for the oven compartment.

### Maintenance

**▲ CAUTION:** Disconnect power from unit before attempting electrical repairs.

**FOR QUALIFIED SERVICE PERSONS ONLY**

**Problem:** Element(s) do not heat when control(s) are turned on.

Possible Cause: Loss of power to cheesemelter.

Remedy: Check fuses or reset circuit breakers from power source.

**Problem:** One or more element(s) of cheesemelter fail to heat up with infinite switch and pilot on. Possible Cause: Element is burned out and should be replaced.

Replace as follows: (See diagram next page)

A - Metal Sheath Elements.

1. Turn off power to cheesemelter.
2. Remove one screw from each element bracket and rotate bracket (11) to clear element.

3. Remove the two screws holding the element to the side panel and withdraw the element. Remove the two wires from the element being careful that the wires do not fall behind the panel.
4. Replace the element in the reverse order of removal.

B - Quartz Tube Element.-

1. Remove quartz element bracket mounting screws from one side of the cheesemelter.
2. Lower the bracket (9) to clear the quartz elements and withdraw the guard rods (10) from the other bracket.
3. Remove the other bracket.
4. Slide the element (1 A) to one side to clear the side panel and withdraw the element to the front of the cheesemelter. Remove the quick disconnect terminals from the defective element and replace it with a new one.
5. Reinstall components in the reverse order of removal.

**NOTICE:** Be certain the replacement quartz element is of the same wattage and voltage as the one it's replacing.

**Problem:** Element(s) do not heat and pilot light related to the element(s) does not light.

Possible Cause: Infinite control not operating and should be replaced.

Remedy: Replace infinite control as follows:

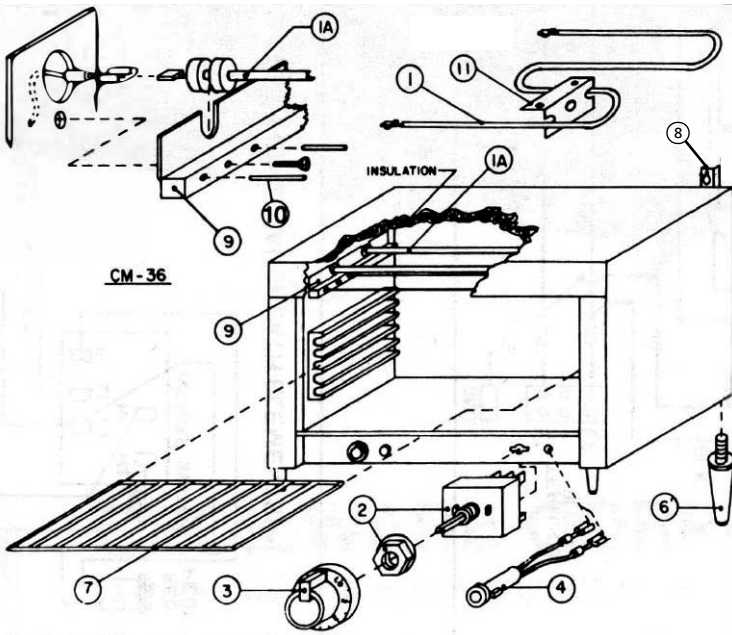
1. Remove bottom cover of cheesemelter.
2. Remove knob and nut from infinite control and withdraw from front panel.
3. Disconnect wires from faulty control and replace it with a new one.
4. Assemble the parts in the reverse order of removal. Refer to diagram next page for correct connections to control.

If you need help, call Grindmaster-Cecilware Technical Service Department, (502) 425-4776 or (800) 695-4500 (USA & Canada only) (Monday through Friday 8 AM - 6 PM EST). Please have the model and serial number ready so that accurate information can be given.

Prior authorization must be obtained from Grindmaster- Cecilware for all warranty claims.

**Grindmaster-Cecilware provides the industry's BEST warranty. Visit our website at [GMCW.com](http://GMCW.com) for warranty terms and conditions.**

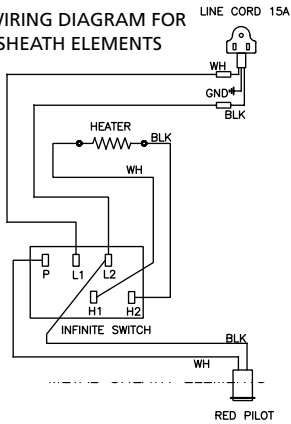
# Parts Diagram and List



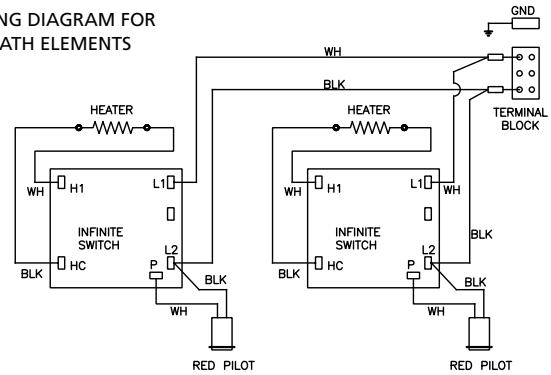
Description	CM24M	CM24Q	CM36M	CM36Q
1 208V/240V 1500W Heating Element 120V 1500W Heating Element				G101A
1A 208V/240V 900W Quartz Element 120V 500W Quartz Element				G191A
2 Infinite Switch	344-00035	344-00035	344-00055	344-00055
3 Infinite Switch Knob	M060A	M060A	M060A	M060A
4 Pilot Light	C164A	C164A	C164A	C164A
5 Line Cord	C032A	C032A		
6 Adjustable Legs	71256	71256	71256	71256
7 Wire Rack	S080A	S080A	S079A	S079A
8 Bracket Wall Mount (Optional)	U345AL	U345AL	U345AL	U345AL
9 Quartz Element Brackets		U467A		U467A
10 Rod Guard		V158A		V159A
11 Element Bracket	U301A		U301A	

## Wiring Diagram

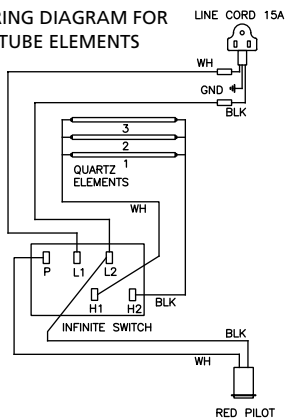
CM-24M WIRING DIAGRAM FOR METAL SHEATH ELEMENTS



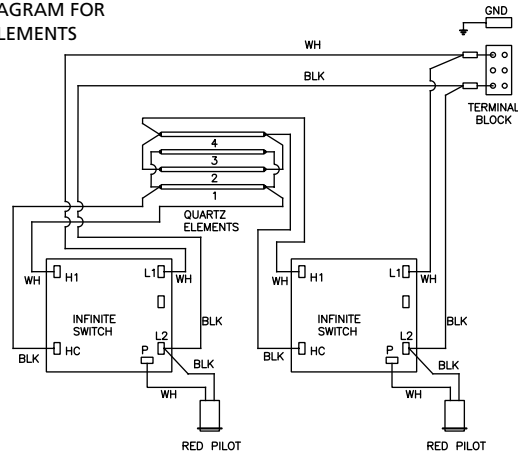
CM-36M WIRING DIAGRAM FOR METAL SHEATH ELEMENTS



CM-24Q WIRING DIAGRAM FOR QUARTZ TUBE ELEMENTS



CM-36Q WIRING DIAGRAM FOR QUARTZ TUBE ELEMENTS



### Grindmaster-Cecilware

4003 Collins Lane, Louisville, KY 40245 USA  
 Phone: 502.425.4776 Toll Free: 800.695.4500  
 Fax: 502.425.4664  
 Web: gmcw.com Email: info@gmcw.com



**Grindmaster  
Cecilware**