

3 PHASE 240 VOLTS  
 G197A (3 x 3.5 KW )  
 TOTAL: 10.5 KW

SHEET 4 of 4

|               |                 |               |
|---------------|-----------------|---------------|
| APP'D BY      | DATE            | PART NO NE267 |
| DRAWN BY G.V. | DATE 04/26/2006 | SCALE 1 : 1   |

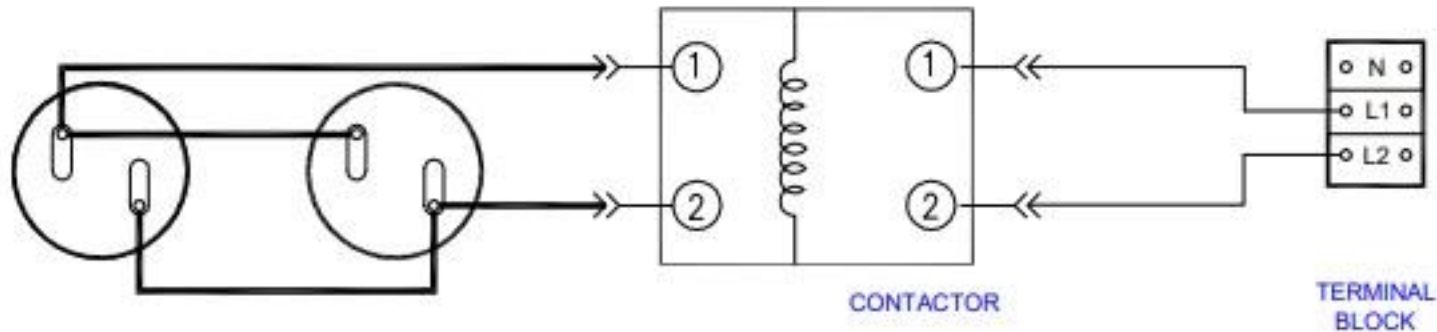
| REV | BY | DATE | DESCRIPTION |
|-----|----|------|-------------|
|-----|----|------|-------------|

**CECILWARE CORPORATION 43-05 20 AVE. L.I.C. NY 11105**

TITLE: ELECTRICAL DIAGRAM

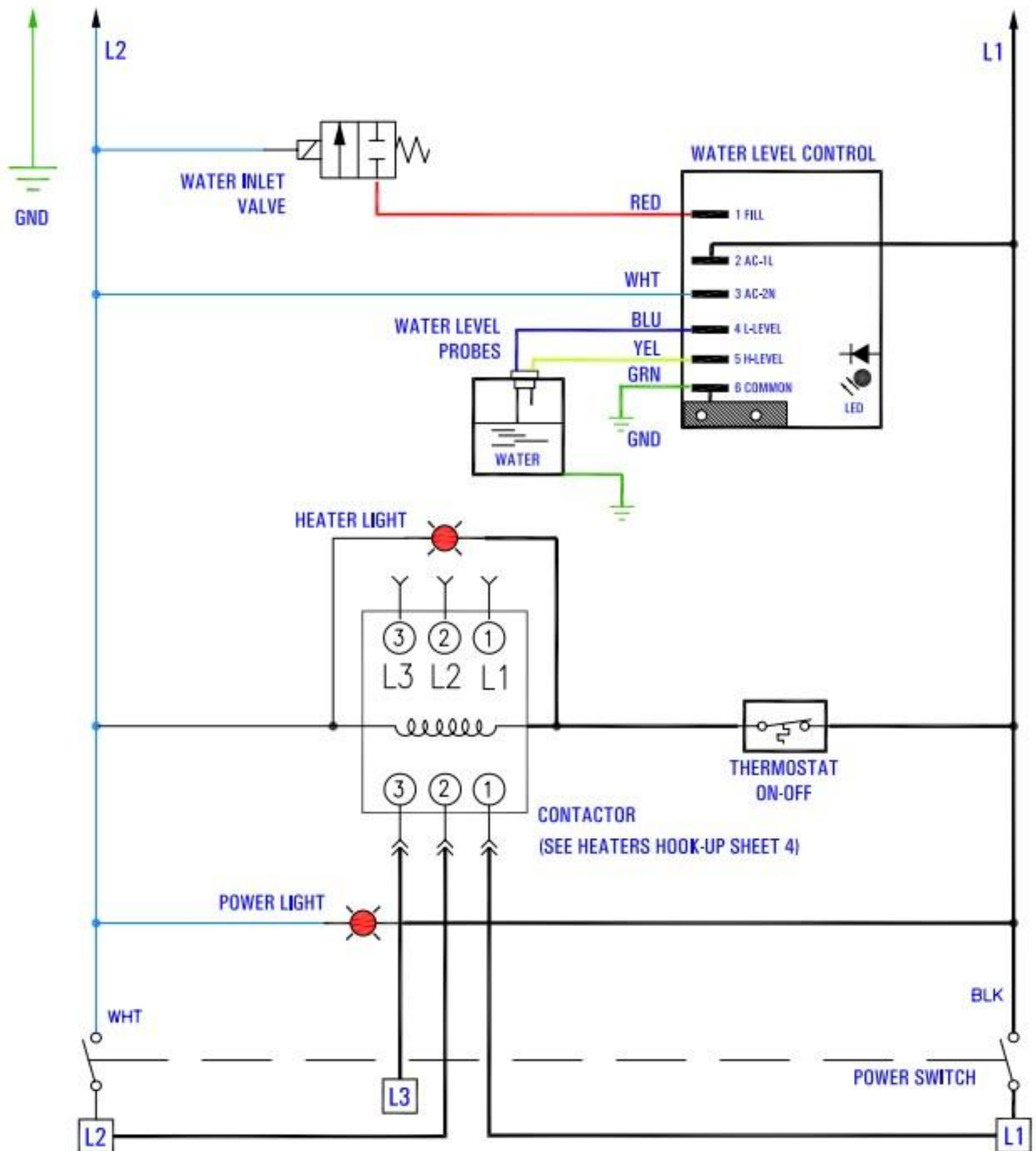
REV.

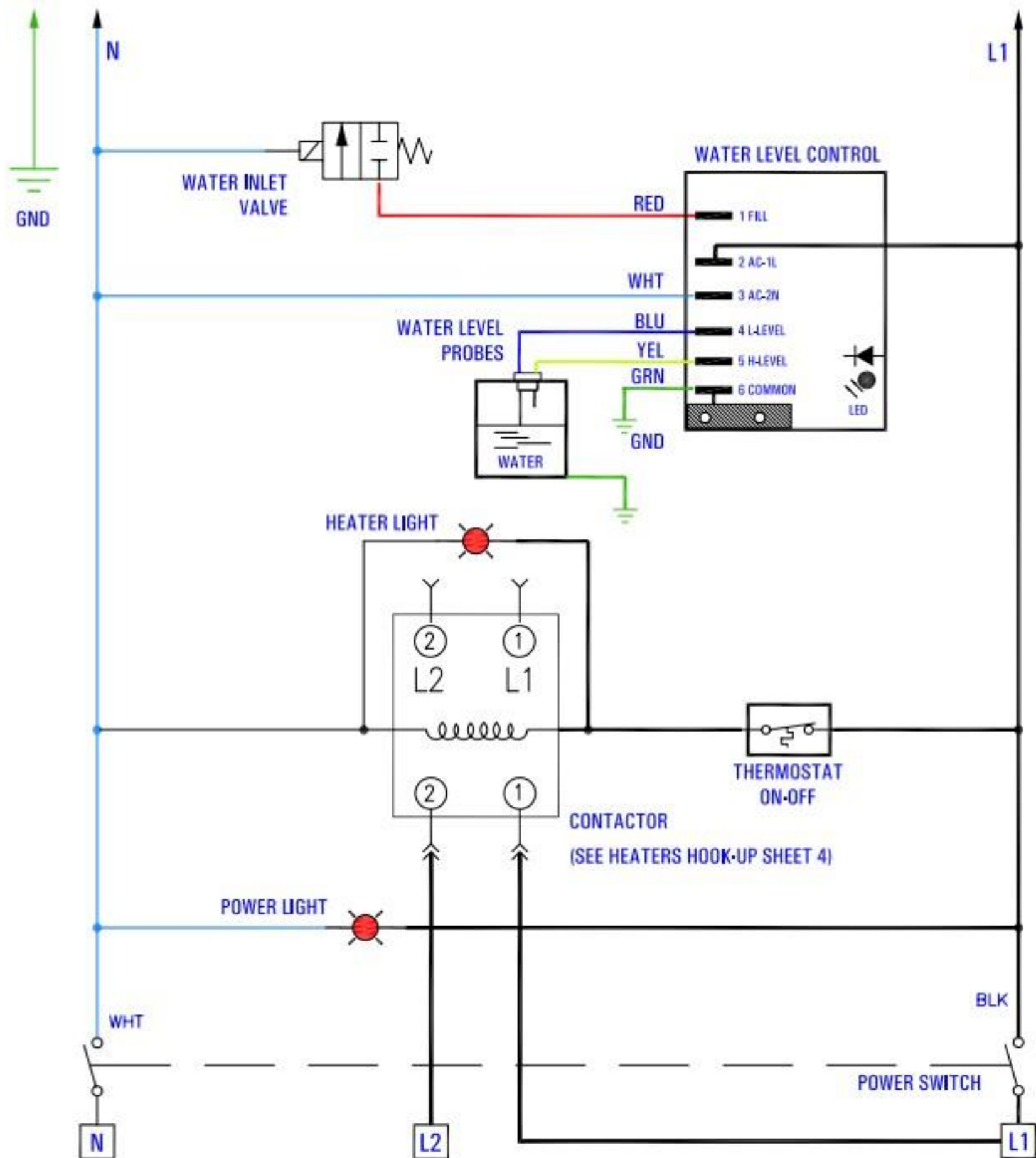
NE267



1 PHASE 240 VOLTS  
G197A (2 x 3.5 KW)  
TOTAL: 7 KW

# ELECTRICAL DIAGRAM ME10E-N, ME15E-N 240 VOLTS





# ELECTRICAL DIAGRAM ME10E-N, ME15E-N 120 VOLTS

