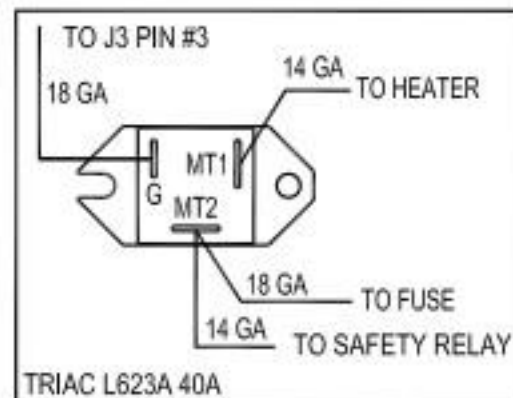
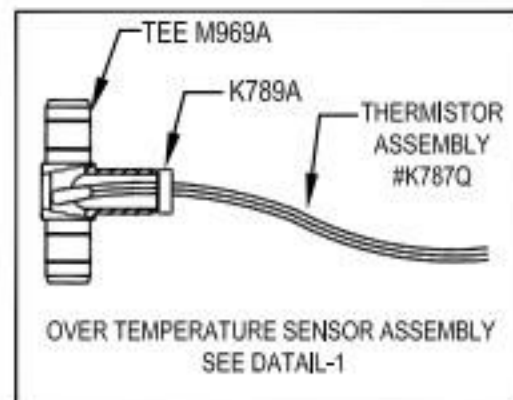
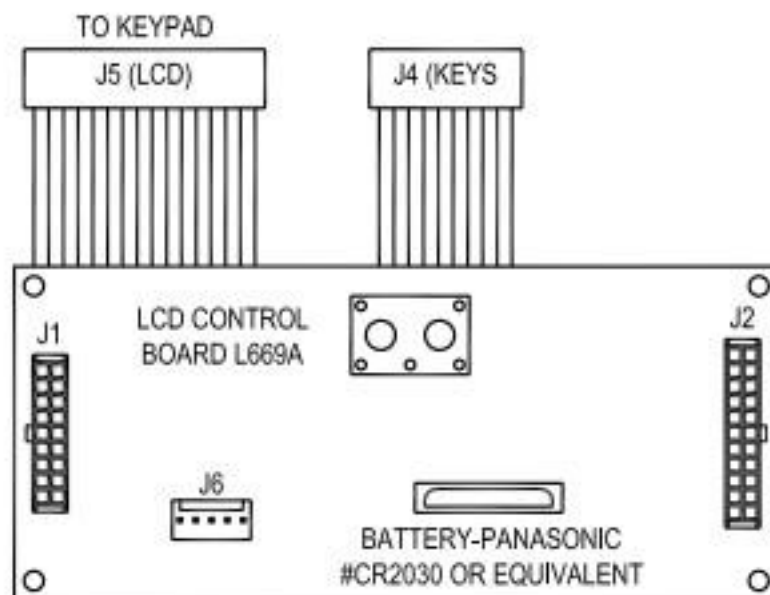
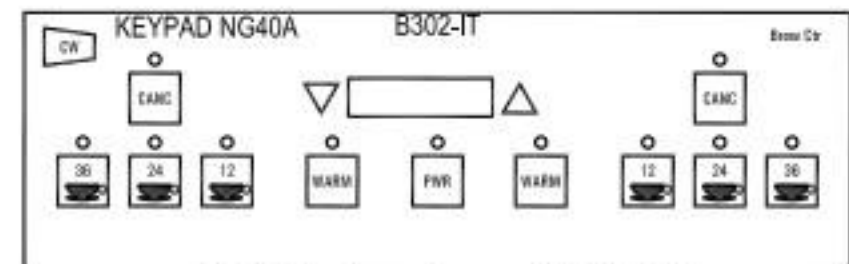
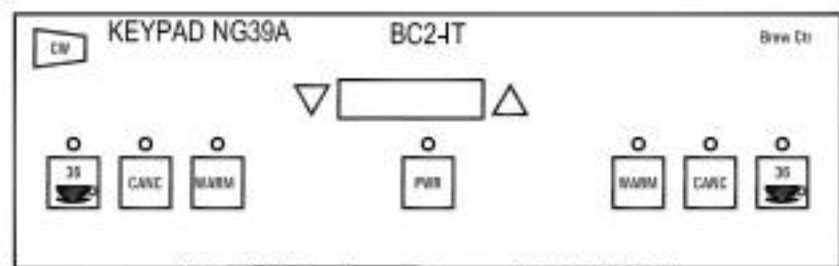


C	02/01/10	THERMISTOR L742Q WAS L6390; OVER FLOW ELBOW WAS HOSE
B	04/02/09	CHANGED RELAY CONNECTION NUMBERS



BERG CONNECTORS

P2 LEDS

P5 KEYS

APP'D BY

DATE

PART NO

NE139

