

CATALOG OF REPLACEMENT PARTS CHALLENGER XL AND ENDURANCE SERIES GAS RANGES

ITW Food Equipment Group

VULCAN



MODELS

| | | |
|------|-------|-----|
| 24S | 48S | 60 |
| C24S | C48S | C60 |
| G24S | G48S | G60 |
| | C48SS | |
| 36S | G48SS | 72 |
| C36S | 48C | C72 |
| G36S | C48C | G72 |
| 36C | G48C | |
| C36C | | |
| G36C | | |



For additional information on Vulcan-Hart Company or to locate an authorized parts and service provider in your area, visit our website at www.vulcanequipment.com

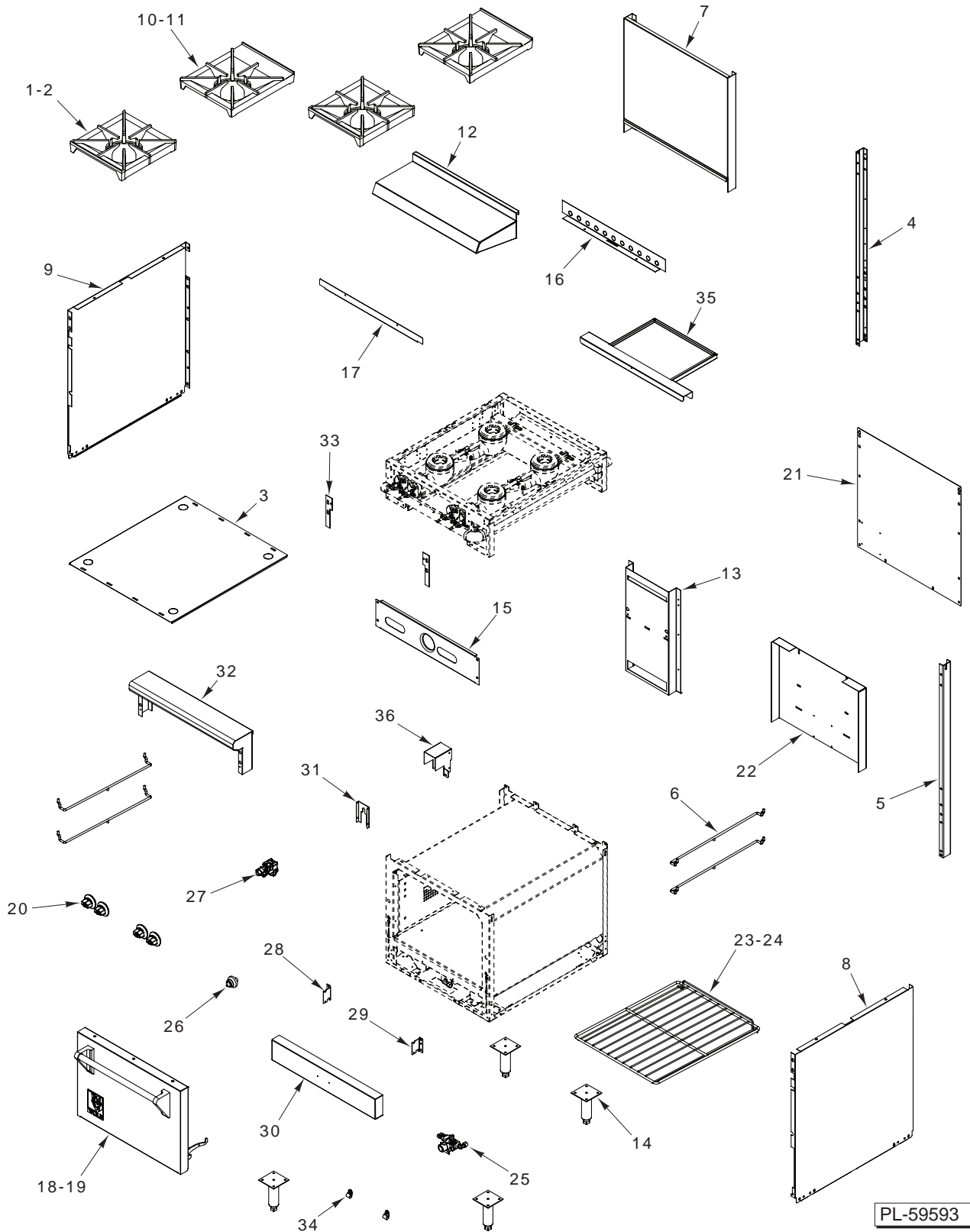
Table Of Contents

| | |
|----|---|
| 3 | ORIFICE CHART |
| 5 | RANGE BODY AND PANELS (24 SERIES) |
| 7 | RANGE BODY AND PANELS (36 SERIES) |
| 9 | RANGE BODY AND PANELS (60 SERIES WITH GRIDDLE/BROILER) |
| 11 | RANGE BODY AND PANELS (60 SERIES) |
| 13 | RANGE BODY AND PANELS (72 SERIES) |
| 14 | DOOR ASSEMBLY (WOLF RANGES) |
| 15 | DOOR ASSEMBLY (VULCAN RANGES) |
| 16 | OPEN TOP BURNER (WITH PILOT) |
| 17 | OPEN TOP BURNER (WITH FLASH TUBE) |
| 18 | OPEN TOP BURNER MODULE (12 INCH ASSEMBLY) |
| 19 | OPEN TOP BURNER MODULE (24 INCH ASSEMBLY) |
| 20 | OPEN TOP BURNER MODULE (36 INCH ASSEMBLY) |
| 21 | GRIDDLE/BROILER TOP MODULE |
| 23 | THERMOSTAT GRIDDLE CONTROL ASSEMBLY (24 INCH UNITS) |
| 25 | THERMOSTAT GRIDDLE CONTROL ASSEMBLY (36 INCH UNITS) |
| 26 | CONVECTION OVEN CONTROL BRACKET (BEFORE 3/11/2010) |
| 27 | CONVECTION OVEN CONTROL BRACKET (ON OR AFTER 3/11/2010) |
| 28 | STANDARD OVEN CONTROL BRACKET |
| 29 | OVEN BURNER ASSEMBLY |
| 31 | STANDARD OVEN MODULE (24 SERIES) |
| 33 | CONVECTION OVEN MODULE (24 SERIES) |
| 35 | STANDARD OVEN MODULE (36 SERIES) |
| 37 | CONVECTION OVEN MODULE (36 SERIES) (ON OR AFTER 3/10/2010) |
| 39 | GRIDDLE TOP MODULE (12 INCH UNIT) |
| 41 | GRIDDLE TOP MODULE (24 INCH UNIT) |
| 43 | GRIDDLE TOP MODULE (36 INCH UNIT) |
| 44 | OPEN TOP BURNER MANIFOLD ASSEMBLIES |
| 45 | CONVECTION MOTOR ASSEMBLY (24 INCH UNIT) |
| 46 | CONVECTION MOTOR ASSEMBLY (30 INCH UNIT) |
| 47 | CONVECTION MOTOR ASSEMBLY (FB) (30 INCH UNIT) |
| 48 | ACCESSORIES FOR STEP-UP BURNERS |

CHALLENGER XL AND ENDURANCE SERIES GAS RANGES REPLACEMENT PARTS

| All orifices use the following base part number | | | | | | | | | | | | |
|---|---------------------|--------|-----------|-----------|--------------|--------------|--------------|--------------|--------------|--------------|--------------|--------------|
| 00-719951-000xx | | | | | | | | | | | | |
| Find the device, gas type, and elevation | | | | | | | | | | | | |
| (e.g. the orifice for the Hot Top, propane, 2000-3999 elevation would use 00-719951-00059) | | | | | | | | | | | | |
| COP | DEVICE | BTU | 0 | | 2 | | 4 | | 6 | | 8 | |
| | | | 1 | 2 | 3 | 4 | 5 | 6 | 7 | 8 | 9 | 10 |
| | | | NAT | PRO | NAT | PRO | NAT | PRO | NAT | PRO | NAT | PRO |
| | | | 0 TO 1999 | 0 TO 1999 | 2000 TO 3999 | 2000 TO 3999 | 4000 TO 5999 | 4000 TO 5999 | 6000 TO 7999 | 6000 TO 7999 | 8000 TO 9999 | 8000 TO 9999 |
| | OPEN TOP BURNER | 30,000 | 42 | 53 | 43 | 54 | 43 | 54 | 44 | 54 | 46 | 55 |
| | ALL GRIDDLES | 20,000 | 45 | 54 | 47 | 54 | 47 | 55 | 48 | 55 | 49 | 56 |
| | STANDARD OVEN 30" | 35,000 | 36 | 51 | 38 | 52 | 39 | 52 | 41 | 53 | 42 | 53 |
| | CONVECTION OVEN 30" | 32,000 | 36 | 51 | 36 | 52 | 37 | 52 | 39 | 53 | 41 | 53 |
| | STANDARD OVEN 24" | 25,000 | 43 | 53 | 44 | 54 | 45 | 54 | 46 | 54 | 47 | 55 |
| | CONVECTION OVEN 24" | 25,000 | 42 | 53 | 43 | 54 | 43 | 54 | 44 | 54 | 46 | 55 |
| | HOT TOP | 14,000 | 51 | 57 | 52 | 59 | 52 | 60 | 53 | 61 | 53 | 63 |
| | GRIDDLE/ BROILER | 10,000 | 55 | 64 | 56 | 65 | 56 | 66 | 56 | 67 | 57 | 68 |

ORIFICE CHART

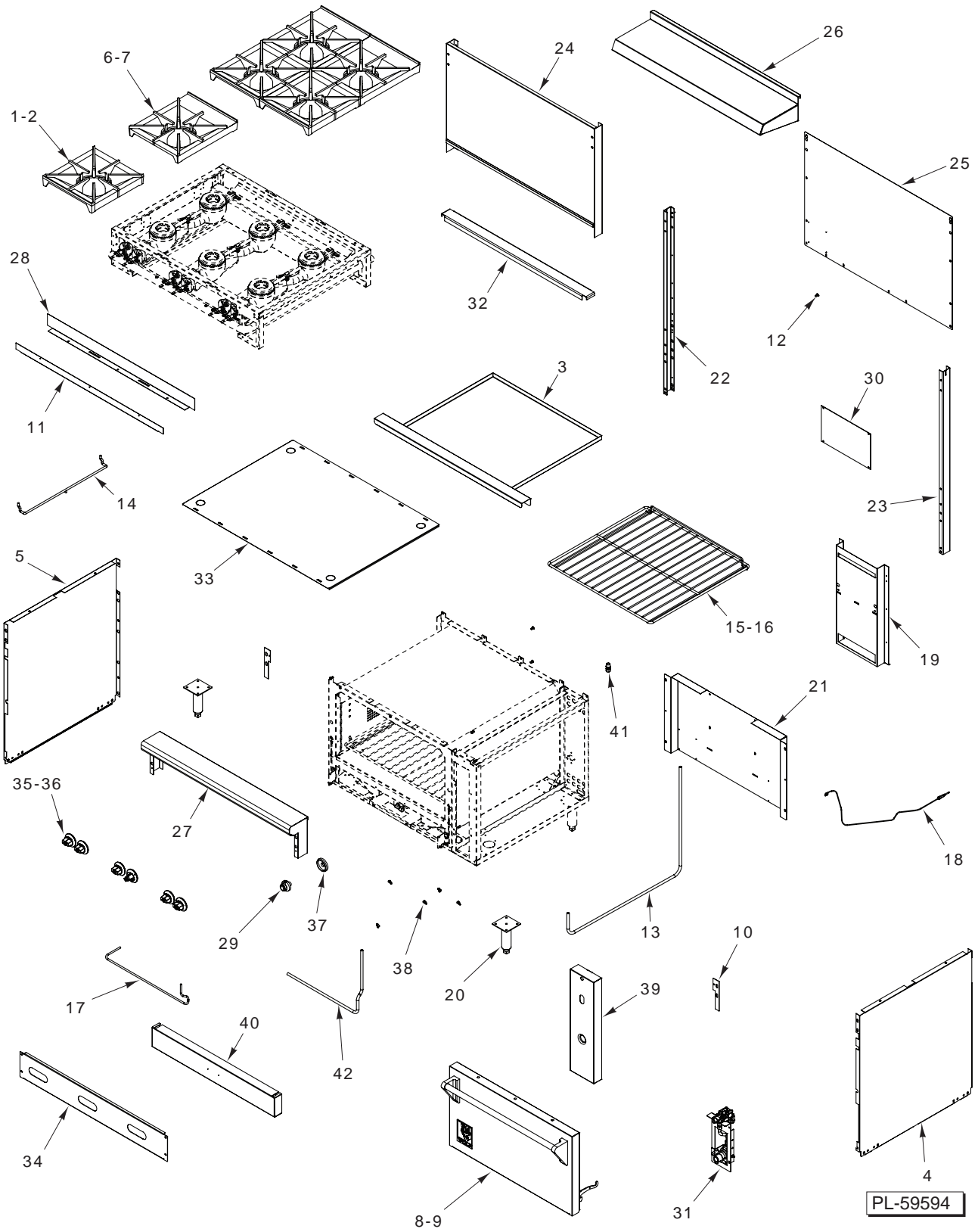


PL-59593

RANGE BODY AND PANELS (24 SERIES)

RANGE BODY AND PANELS (24 SERIES)

| ILLUS. | PART NO. | NAME OF PART | AMT. |
|----------|-----------------|--|------|
| PL-59593 | | | |
| 1 | 00-925000 | Grate – Front (Wolf)..... | 2 |
| 2 | 00-925028 | Grate – Front (Vulcan) | 2 |
| 3 | 00-923518 | Cover – Insulation..... | 1 |
| 4 | 00-921051 | Bayonet Back Channel (LH) | 1 |
| 5 | 00-921052 | Bayonet Back Channel (RH)..... | 1 |
| 6 | 00-921064 | Rack Slide..... | 4 |
| 7 | 00-923507 | Back Splash – Front (24 In.) | 1 |
| 8 | 00-921047 | Side Panel – Right..... | 1 |
| 9 | 00-921048 | Side Panel – Left | 1 |
| 10 | 00-925001 | Grate – Rear (Wolf)..... | 2 |
| 11 | 00-925029 | Grate – Rear (Vulcan)..... | 2 |
| 12 | 00-923506-0000A | Top Shelf Assy..... | 1 |
| 13 | 00-921083 | Back Flue Channel | 1 |
| 14 | 00-413112-00012 | Leg – Adjustable (6 In.) (SST) | 4 |
| 15 | 00-924522 | Manifold Cover (24 In.) (T-Stat) | 1 |
| 16 | 00-924518 | Heat Shield Rear (24 In.) | 1 |
| 17 | 00-924520 | Front Heat Shield (24 In.) | 1 |
| 18 | 00-922065-0000A | Door Assy. (24 In.) (Wolf)..... | 1 |
| 19 | 00-922066-0000A | Door Assy. (24 In.) (Vulcan) | 1 |
| 20 | 00-719255-00012 | Knob – Red (Wolf) | 4 |
| 21 | 00-923525 | Rear Heat Shield (24 In.) | 1 |
| 22 | 00-921786 | Rear Flue (24 In.)..... | 1 |
| 23 | 00-923508-0000A | Oven Rack (24 In.) (Standard)..... | 1 |
| 24 | 00-921634-0000A | Oven Rack (24 In.) (Convection) | 1 |
| 25 | 00-923533-0000A | Control Assy. (CBA-48SSL) | 1 |
| 26 | 00-922012 | BJ Thermostat Knob | 1 |
| 27 | 00-922020 | BJ Thermostat..... | 1 |
| 28 | 00-921203 | Hinge – Kick Panel (LH) | 1 |
| 29 | 00-921204 | Hinge – Kick Panel (RH)..... | 1 |
| 30 | 00-921305-0000A | Vulcan Kick Panel Assy. (24 In.) | 1 |
| 31 | 00-921014 | Cover Back – BJ Valve | 1 |
| 32 | 00-925490 | Bull Nose Assy. (24 In.)..... | 1 |
| 33 | 00-921058 | Gasket – Bullnose..... | 2 |
| 34 | 00-402558-00004 | Tubing Clip..... | 5 |
| 35 | 00-921142-0000A | Crumb Tray Assy. (24 In.) | 1 |
| 36 | 00-921013 | Cover – BJ Valve | 1 |
| | 00-497001-00001 | Caster (Without Brake) | AR |
| | 00-479001-00002 | Caster (With Brake) | AR |



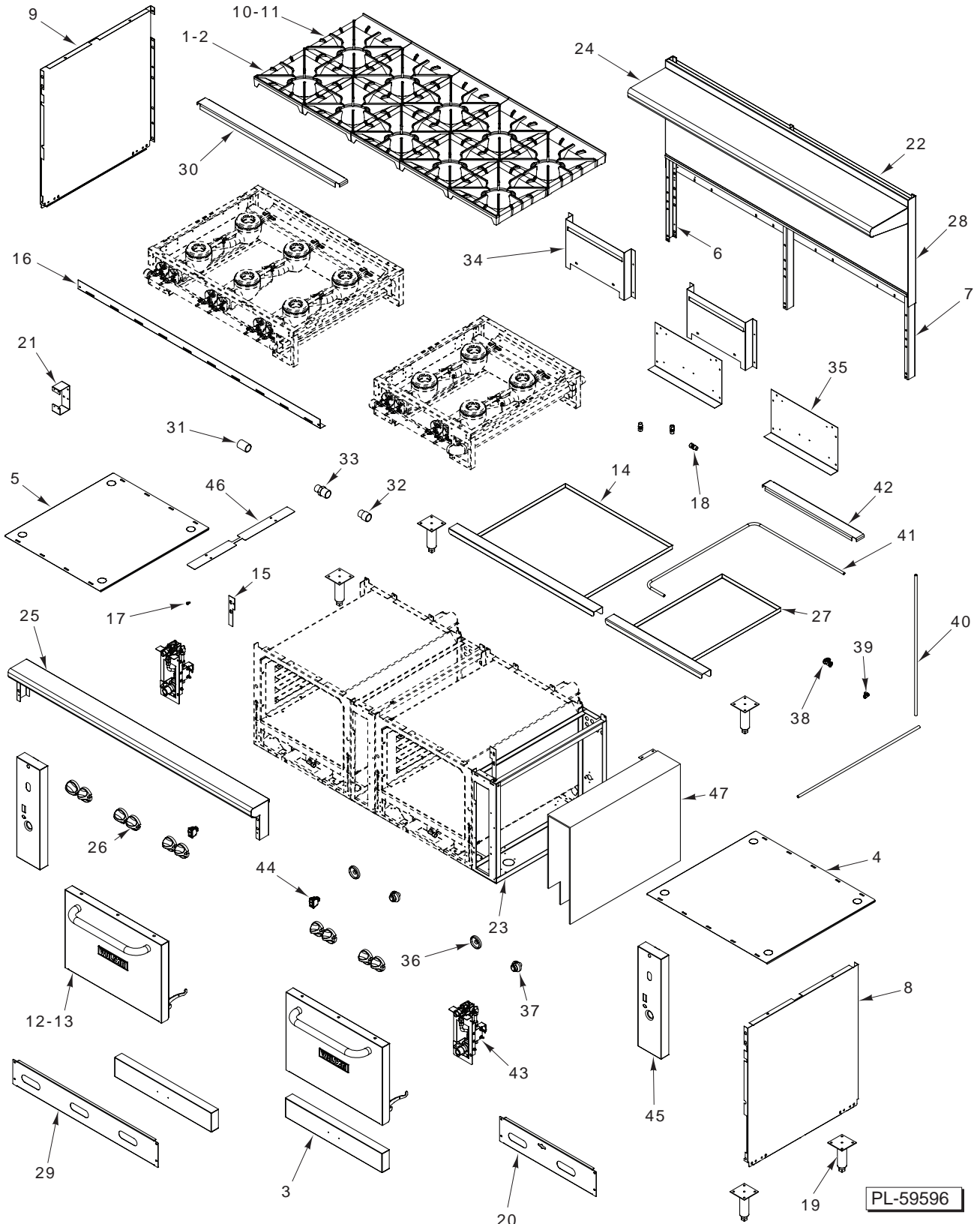
RANGE BODY AND PANELS (36 SERIES)

RANGE BODY AND PANELS (36 SERIES)

| ILLUS. PL-59594 | PART NO. | NAME OF PART | AMT. |
|--------------------|-----------------|--------------------------------------|------|
| 1 | 00-925000 | Grate – Front (Wolf)..... | 3 |
| 2 | 00-925028 | Grate – Front (Vulcan)..... | 3 |
| 3 | 00-921044-0000A | Crumb Tray Assy. (36 In.)..... | 1 |
| 4 | 00-921047 | Side Panel – Right..... | 1 |
| 5 | 00-921048 | Side Panel – Left..... | 1 |
| 6 | 00-925001 | Grate – Rear (Wolf)..... | 3 |
| 7 | 00-925029 | Grate – Rear (Vulcan)..... | 3 |
| 8 | 00-922067-0000A | Door Assy. (30 In.) (Wolf)..... | 1 |
| 9 | 00-922068-0000A | Door Assy. (30 In.) (Vulcan)..... | 1 |
| 10 | 00-921058 | Gasket – Bullnose..... | 2 |
| 11 | 00-921059 | Heat Shield..... | 1 |
| 12 | 00-730228 | Self-Tapping Screw 10-24 X 1/2..... | 11 |
| 13 | 00-426508-00060 | Flex Tube (7/16 X 60 In.)..... | 1 |
| 14 | 00-921064 | Rack Slide..... | 4 |
| 15 | 00-921010-0000A | Oven Rack (30 In.) (Standard)..... | 2 |
| 16 | 00-921548-0000A | Oven Rack (30 In.) (Convection)..... | 2 |
| 17 | 00-426505-00042 | Flex Tube (1/4 X 42 In.)..... | 1 |
| 18 | 00-921565 | Thermocouple Assy..... | 1 |
| 19 | 00-921083 | Back Flue Channel..... | 1 |
| 20 | 00-413112-00012 | Leg (6 In. Adjustable) (SST)..... | 4 |
| 21 | 00-921105 | Rear Flue..... | 1 |
| 22 | 00-921051 | Bayonet – Back Channel (LH)..... | 1 |
| 23 | 00-921052 | Bayonet – Back Channel (RH)..... | 1 |
| 24 | 00-921053 | Back Splash – Front..... | 1 |
| 25 | 00-921411 | Rear Heat Shield..... | 1 |
| 26 | 00-921038-0000A | Top Shelf Assy..... | 1 |
| 27 | 00-921017-0000A | Bull Nose Assy..... | 1 |
| 28 | 00-921148 | Heat Shield..... | 1 |
| 29 | 00-922012 | BJ Thermostat – Knob..... | 1 |
| 30 | 00-921410 | Cover – Flue Mid..... | 1 |
| 31 | 00-922011-0000A | Standard Control Assy..... | 1 |
| 32 | 00-925034 | Grate Support..... | 1 |
| 33 | 00-922006 | Cover – Insulation..... | 1 |
| 34 | 00-921170 | Manifold Cover..... | 1 |
| 35 | 00-921215 | Knob (Wolf)..... | 6 |
| 36 | 00-428300-00001 | Knob – Endurance..... | 6 |
| 37 | 00-719384 | BJ Bezzle..... | 1 |
| 38 | 00-402558-00004 | Tubing Clip..... | 5 |
| 39 | 00-921312 | Control Panel – Standard..... | 1 |
| 40 | 00-921309-0000A | Kick Panel Assy..... | 1 |
| 41 | FP-085-42 | Fitting 3/8 X 7/16..... | 1 |
| 42 | 00-426508-00036 | Flex Tube (7/16 X 36 In.)..... | 1 |

RANGE BODY AND PANELS (60 SERIES WITH GRIDDLE/BROILER)

| ILLUS. | PART NO. | NAME OF PART | AMT. |
|--------|-----------------|--------------------------------------|------|
| | PL-59595 | | |
| 1 | 00-925000 | Grate – Front (Wolf)..... | 3 |
| 2 | 00-925028 | Grate – Front (Vulcan)..... | 3 |
| 3 | 00-921036 | Cover – Insulation..... | 2 |
| 4 | 00-921048 | Side Panel – Left..... | 1 |
| 5 | 00-925001 | Grate – Rear (Wolf)..... | 3 |
| 6 | 00-925029 | Grate – Rear (Vulcan)..... | 3 |
| 7 | 00-921309-0000A | Kick Panel Assy..... | 2 |
| 8 | 00-922067-0000A | Door Assy. (30 In.) (Wolf)..... | 2 |
| 9 | 00-922068-0000A | Door Assy. (30 In.) (Vulcan)..... | 2 |
| 10 | 00-921058 | Gasket – Bull Nose..... | 1 |
| 11 | 00-921059 | Heat Shield..... | 1 |
| 12 | 00-730228 | Self-Tapping Screw 10-24 X 1/2..... | 7 |
| 13 | 00-921064 | Rack Slide..... | 4 |
| 14 | FP-085-42 | Fitting 3/8 X 7/16..... | 2 |
| 15 | 00-929020-0000A | CBA-60L Control Bracket Assy..... | 1 |
| 16 | 00-413112-00012 | Leg (6 In. Adjustable) (SST)..... | 6 |
| 17 | 00-921051 | Bayonet – Back Channel (LH)..... | 1 |
| 18 | 00-921052 | Bayonet – Back Channel (RH)..... | 2 |
| 19 | 00-929007 | Rear Heat Shield (60 In.)..... | 1 |
| 20 | 00-921083 | Back Flue Channel..... | 2 |
| 21 | 00-921105 | Rear Flue..... | 2 |
| 22 | 00-929021-0000A | CBA-60R Control Bracket Assy..... | 1 |
| 23 | 00-929005-0000A | Top Shelf Assy. (60 In.)..... | 1 |
| 24 | 00-922012 | BJ Thermostat – Knob..... | 2 |
| 25 | 00-921215 | Knob (Wolf)..... | 6 |
| 26 | 00-921148 | Heat Shield..... | 1 |
| 27 | 00-921258 | Back Splash – Front..... | 1 |
| 28 | 00-763289 | Manifold Cover (36 In.) (C60CC)..... | 1 |
| 29 | 00-921044-0000A | Crumb Tray Assy. (36 In.)..... | 1 |
| 30 | 00-921252 | Side Panel Right..... | 1 |
| 31 | 00-926513-0000A | Splash Assy. – Outer (RH)..... | 1 |
| 32 | 00-926527-0000A | Splash Assy. – Outer (LH)..... | 1 |
| 33 | 00-921254 | Bracket – Manifold (260)..... | 1 |
| 34 | 00-925490-0000A | Bull Nose Assy. (260)..... | 1 |
| 35 | 00-921247-0000A | Crumb Tray Assy. (260)..... | 1 |
| 36 | 00-921269-0000A | Bull Nose Assy. (260)..... | 1 |
| 37 | 00-925055 | Union (1 In.)..... | 1 |
| 38 | 00-921483 | Mounting Bracket (260)..... | 1 |
| 39 | 00-428300 | Knob 2.75 Dia..... | 3 |
| 40 | 00-921482 | Manifold Cover (260)..... | 1 |
| 41 | 00-921481 | Right Manifold Bracket (260)..... | 1 |
| 42 | 00-921480 | Left Manifold Bracket (260)..... | 1 |
| 43 | 00-921410 | Cover – Flue Mid..... | 2 |
| 44 | 00-922021 | BJWA-60 Thermostat..... | 2 |
| 45 | 00-921013 | Cover – BJ Valve..... | 2 |
| 46 | 00-921014 | Cover Back – BJ Valve..... | 2 |
| 47 | 00-426508-00060 | Flex Tube (7/16 X 60 In.)..... | 2 |
| 48 | 00-925060 | Tee 3/8..... | 1 |
| 49 | 00-719156 | Elbow 3/8 X 7/16..... | 2 |
| 50 | 00-426508-00030 | Flex Tube (7/16 X 30 In.)..... | 3 |
| 51 | 00-426508-00008 | Flex Tube (7/16 X 8 In.)..... | 2 |
| 52 | 00-921255-0000A | Griddle Assy. (24 In.)..... | 1 |

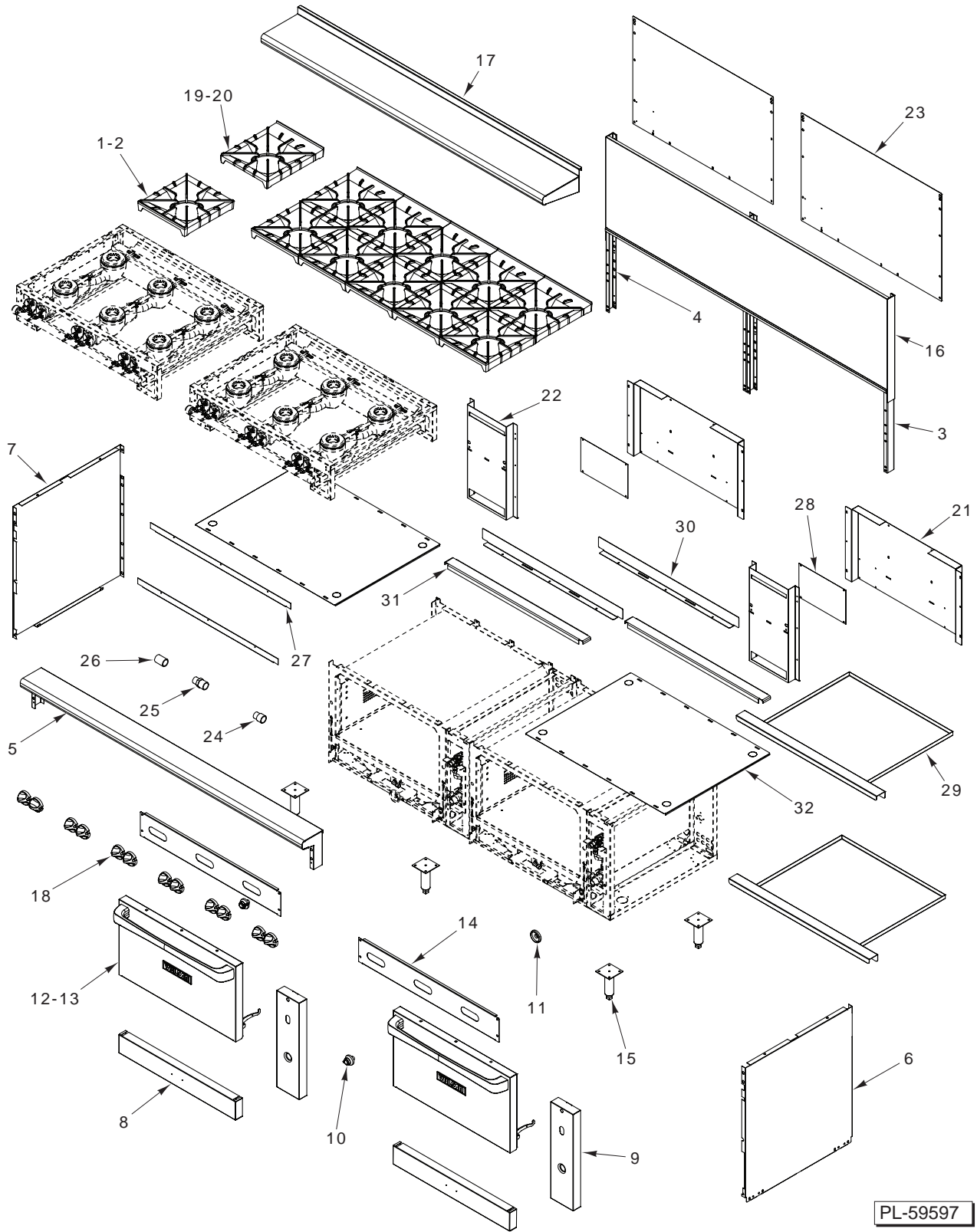


PL-59596

RANGE BODY AND PANELS (60 SERIES)

RANGE BODY AND PANELS (60 SERIES)

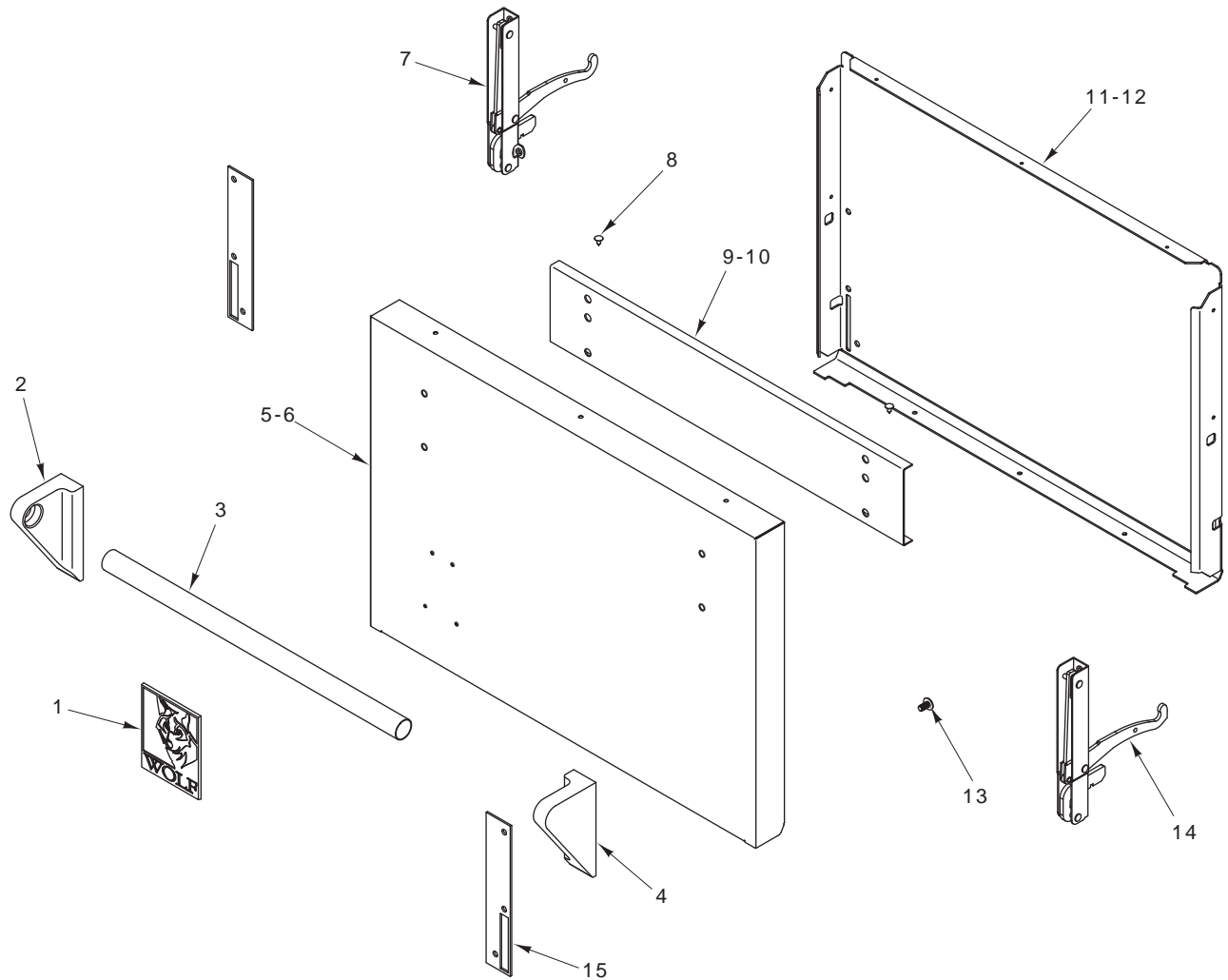
| ILLUS. | PART NO. | NAME OF PART | AMT. |
|--------|-----------------|---------------------------------------|------|
| | PL-59596 | | |
| 1 | 00-925000 | Grate – Front (Wolf)..... | 5 |
| 2 | 00-925028 | Grate – Front (Vulcan)..... | 5 |
| 3 | 00-921309-0000A | Kick Panel Assy..... | 2 |
| 4 | 00-921036 | Cover – Insulation..... | 1 |
| 5 | 00-923518 | Cover – Insulation..... | 1 |
| 6 | 00-921051 | Bayonet – Back Channel (LH)..... | 1 |
| 7 | 00-921052 | Bayonet – Back Channel (RH)..... | 2 |
| 8 | 00-921047 | Side Panel – Right..... | 1 |
| 9 | 00-921048 | Side Panel – Left..... | 1 |
| 10 | 00-925001 | Grate – Rear (Wolf)..... | 5 |
| 11 | 00-925029 | Grate – Rear (Vulcan)..... | 5 |
| 12 | 00-922067-0000A | Door Assy. (30 In.) (Wolf)..... | 2 |
| 13 | 00-922068-0000A | Door Assy. (30 In.) (Vulcan)..... | 2 |
| 14 | 00-921044-0000A | Crumb Tray Assy. (36 In.)..... | 1 |
| 15 | 00-921058 | Gasket – Bull Nose..... | 2 |
| 16 | 00-929010 | Heat Shield..... | 1 |
| 17 | 00-730228 | Self-Tapping Screw 10-24 x 1/2..... | 4 |
| 18 | FP-085-42 | Fitting 3/8 x 7/16..... | 3 |
| 19 | 00-413112-00012 | Leg (6 In. Adjustable) (SST)..... | 6 |
| 20 | 00-924522 | Manifold Cover (24 In.)..... | 1 |
| 21 | 00-929012 | Joint Bracket..... | 1 |
| 22 | 00-929007 | Rear Heat Shield (60 In.)..... | 1 |
| 23 | 00-922000-0000A | Frame Assy. (6 In.)..... | 2 |
| 24 | 00-921300-0000A | Top Shelf Assy..... | 1 |
| 25 | 00-921005-0000A | Bull Nose Assy..... | 1 |
| 26 | 00-428300 | Knob 2.75 Dia..... | 10 |
| 27 | 00-924510-0000A | Crumb Tray Assy. (24 In.)..... | 1 |
| 28 | 00-929006 | Back Splash – Front..... | 1 |
| 29 | 00-921170 | Manifold Cover..... | 1 |
| 30 | 00-925034 | Grate Support..... | 1 |
| 31 | 00-921377 | Coupler – Left..... | 1 |
| 32 | 00-921378 | Coupler – Right..... | 1 |
| 33 | 00-921379 | Nipple..... | 1 |
| 34 | 00-921633 | Back Flue Channel..... | 2 |
| 35 | 00-921632 | Flue Cover (24 In.) (Convection)..... | 2 |
| 36 | 00-719384 | BJ Bezzle..... | 2 |
| 37 | 00-922012 | BJ Thermostat – Knob..... | 2 |
| 38 | 00-925060 | Tee 3/8..... | 1 |
| 39 | 00-719156 | Elbow 3/8 x 7/16..... | 1 |
| 40 | 00-426508-00030 | Flex Tube (7/16 x 30 In.)..... | 2 |
| 41 | 00-426508-00060 | Flex Tube (7/16 x 60 In.)..... | 1 |
| 42 | 00-924507 | Grate Support..... | 1 |
| 43 | 00-921408-0000A | Control Assy. (Convection)..... | 2 |
| 44 | 00-921528 | Switch – Rocker..... | 2 |
| 45 | 00-921369 | Control Panel..... | 2 |
| 46 | 00-922045 | Cover – Center Spillover..... | 1 |
| 47 | 00-922005 | Insulation Blanket (6 In.)..... | 1 |



RANGE BODY AND PANELS (72 SERIES)

RANGE BODY AND PANELS (72 SERIES)

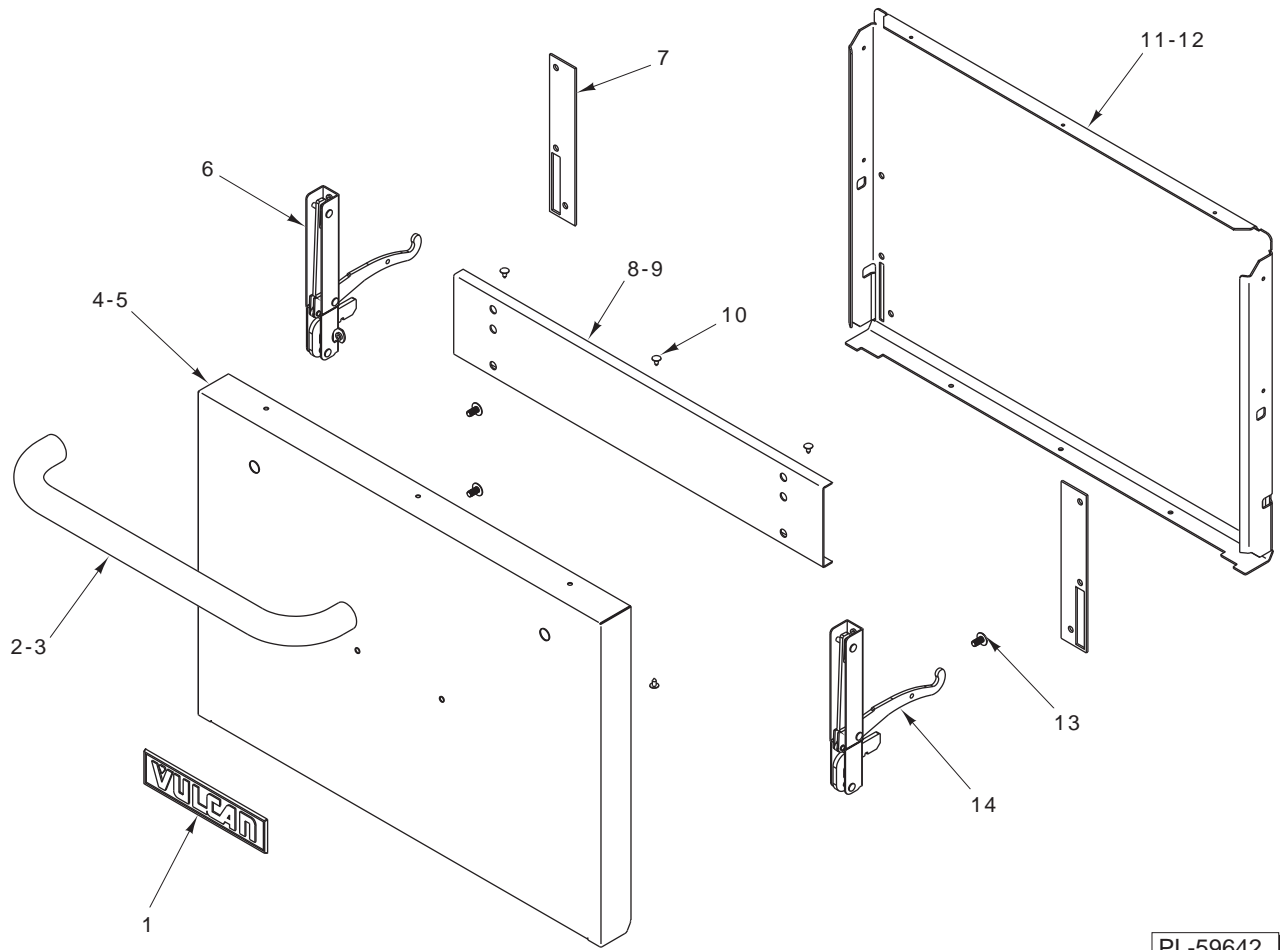
| ILLUS. | PART NO. | NAME OF PART | AMT. |
|----------|-----------------|-----------------------------------|------|
| PL-59597 | | | |
| 1 | 00-925000 | Grate – Front (Wolf)..... | 6 |
| 2 | 00-925028 | Grate – Front (Vulcan)..... | 6 |
| 3 | 00-921052 | Bayonet – Back Channel (RH)..... | 2 |
| 4 | 00-921051 | Bayonet – Back Channel (LH)..... | 2 |
| 5 | 00-921284-0000A | Bull Nose Assy. (72 In.)..... | 1 |
| 6 | 00-921047 | Side Panel – Right..... | 1 |
| 7 | 00-921048 | Side Panel – Left..... | 1 |
| 8 | 00-921309-0000A | Kick Panel Assy..... | 2 |
| 9 | 00-921312 | Control Panel (Standard)..... | 2 |
| 10 | 00-922012 | BJ Thermostat – Knob..... | 2 |
| 11 | 00-719384 | BJ Bezzle..... | 2 |
| 12 | 00-922067-0000A | Door Assy. (30 In.) (Wolf)..... | 2 |
| 13 | 00-922068-0000A | Door Assy. (30 In.) (Vulcan)..... | 2 |
| 14 | 00-921034 | Manifold Cover..... | 2 |
| 15 | 00-413112-00012 | Leg (6 In. Adjustable) (SST)..... | 6 |
| 16 | 00-921152 | Back Splash – Front..... | 1 |
| 17 | 00-921301-0000A | Top Shelf Assy. (72 In.)..... | 1 |
| 18 | 00-428300 | Knob 2.75 Dia..... | 12 |
| 19 | 00-925001 | Grate – Rear (Wolf)..... | 6 |
| 20 | 00-925029 | Grate – Rear (Vulcan)..... | 6 |
| 21 | 00-921105 | Rear Flue..... | 2 |
| 22 | 00-921083 | Back Flue Channel..... | 2 |
| 23 | 00-921054 | Rear Heat Shield (36 In.)..... | 2 |
| 24 | 00-921378 | Coupler – Right..... | 1 |
| 25 | 00-921379 | Nipple..... | 1 |
| 26 | 00-921377 | Coupler – Left..... | 1 |
| 27 | 00-921059 | Heat Shield..... | 2 |
| 28 | 00-921410 | Cover – Flue Mid..... | 2 |
| 29 | 00-921044-0000A | Crumb Tray Assy. (36 In.)..... | 2 |
| 30 | 00-921148 | Heat Shield..... | 2 |
| 31 | 00-925034 | Grate Support..... | 2 |
| 32 | 00-922006 | Cover – Insulation..... | 2 |



PL-59641

DOOR ASSEMBLY (WOLF RANGES)

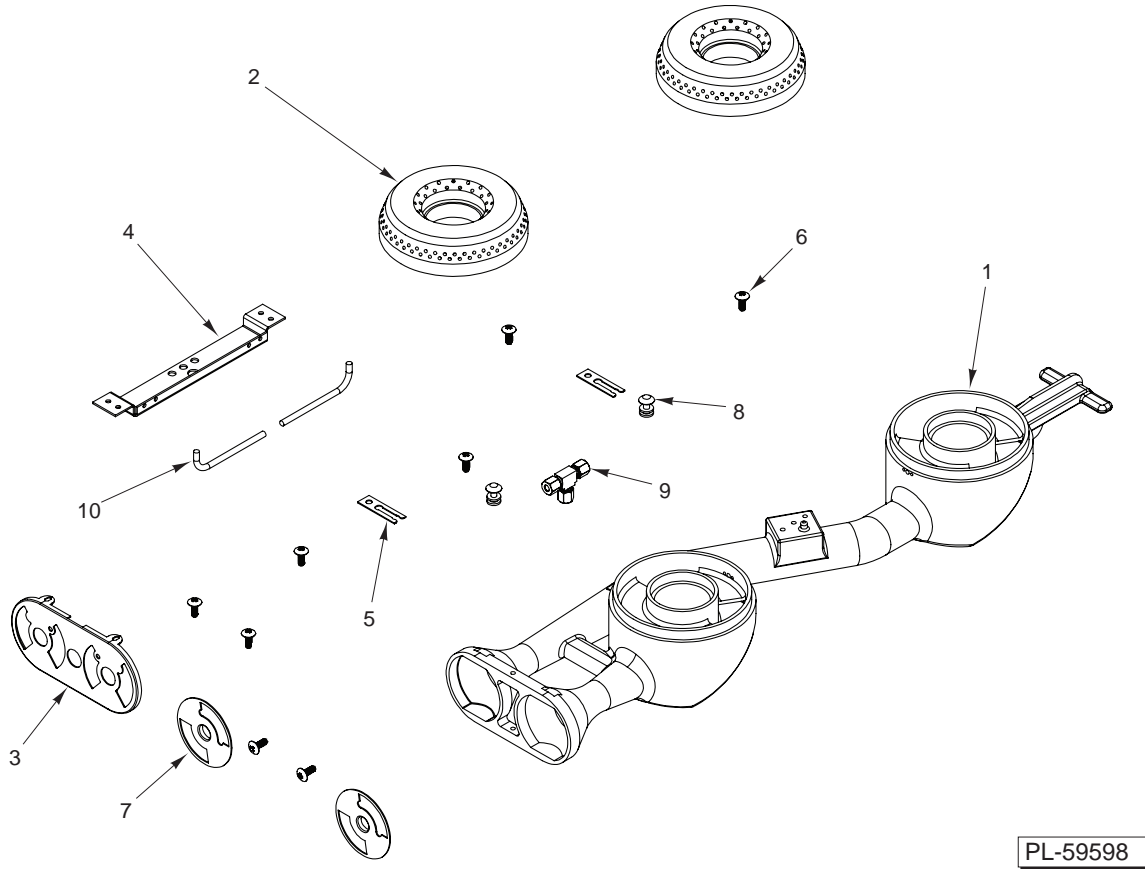
| ILLUS. | PART NO. | NAME OF PART | AMT. |
|--------|-----------------|---|------|
| | PL-59641 | | |
| 1 | 00-722484 | Logo – Medium (Wolf)..... | 1 |
| 2 | 00-719621 | Bracket – Aluminum Door Handle (LH)..... | 1 |
| 3 | 00-921043 | Handle – Door..... | 1 |
| 4 | 00-719622 | Bracket – Aluminum Door Handle (RH)..... | 1 |
| 5 | 00-923520 | Panel – Door (24 In.)..... | 1 |
| 6 | 00-921089 | Panel – Door (30 In.)..... | 1 |
| 7 | 00-497027-00002 | Hinge – Door Spring (LH)..... | 1 |
| 8 | 00-730240 | Mach. Screw #8 x 1/2..... | 6 |
| 9 | 00-923522 | Reinforcement – Door (24 In.)..... | 1 |
| 10 | 00-921343 | Reinforcement – Door (30 In.)..... | 1 |
| 11 | 00-922030 | Liner – Door (24 In.)..... | 1 |
| 12 | 00-921022 | Liner – Door (30 In.)..... | 1 |
| 13 | 00-723369 | Mach. Screw 1/4-20 x 1/2 Phil. Truss Hd..... | 6 |
| 14 | 00-497027-00001 | Hinge – Door Spring (RH)..... | 1 |
| 15 | 00-921033 | Insulator – Door Hinge..... | 2 |
| | 00-922065-0000A | Door Assy. (24 In.) (Incls. Items 1 thru 5, 7, 8, 9, 11, & 13 thru 15)..... | 2 |
| | 00-922067-0000A | Door Assy. (30 In.) (Incls. Items 1 thru 4, 6, 7, 8, 10, & 12 thru 15)..... | 2 |



PL-59642

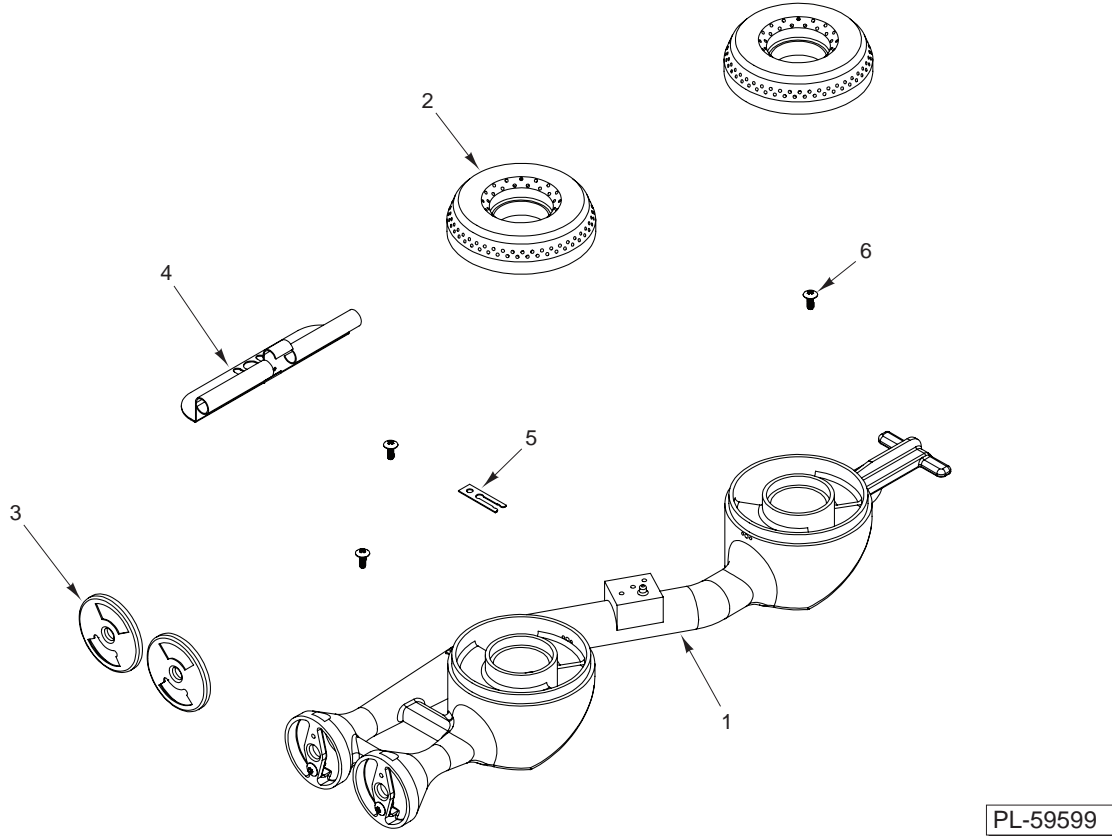
DOOR ASSEMBLY (VULCAN RANGES)

| ILLUS. | PART NO. | NAME OF PART | AMT. |
|--------|-----------------|---|------|
| | PL-59642 | | |
| 1 | 00-417700-00001 | Nameplate (7 ¹ / ₄ In.) (Vulcan) | 1 |
| 2 | 00-921342 | Handle – Door (24 In.) | 1 |
| 3 | 00-428618-00001 | Handle – Oven | 1 |
| 4 | 00-921302 | Panel – Door (24 In.) | 1 |
| 5 | 00-921288 | Panel – Door | 1 |
| 6 | 00-497027-00002 | Hinge – Door Spring (LH) | 1 |
| 7 | 00-921033 | Insulator – Door Hinge | 2 |
| 8 | 00-923522 | Reinforcement – Door (24 In.) | 1 |
| 9 | 00-921343 | Reinforcement – Door | 1 |
| 10 | 00-730240 | Mach. Screw #8 x 1/2 | 6 |
| 11 | 00-922030 | Liner – Door (24 In.) | 1 |
| 12 | 00-921022 | Liner – Door (30 In.) | 1 |
| 13 | 00-723369 | Mach. Screw 1/4-20 x 1/2 Phil. Truss Hd. | 6 |
| 14 | 00-497027-00001 | Hinge – Door Spring (RH) | 1 |
| | 00-922066-0000A | Door Assy. (24 In.) (Incls. Items 1, 2, 4, 6, 7, 8, 10, 11, 13, & 14) | 2 |
| | 00-922068-0000A | Door Assy. (30 In.) (Incls. Items 1, 3, 5, 6, 7, 9, 10, 12, 13, & 14) | 2 |



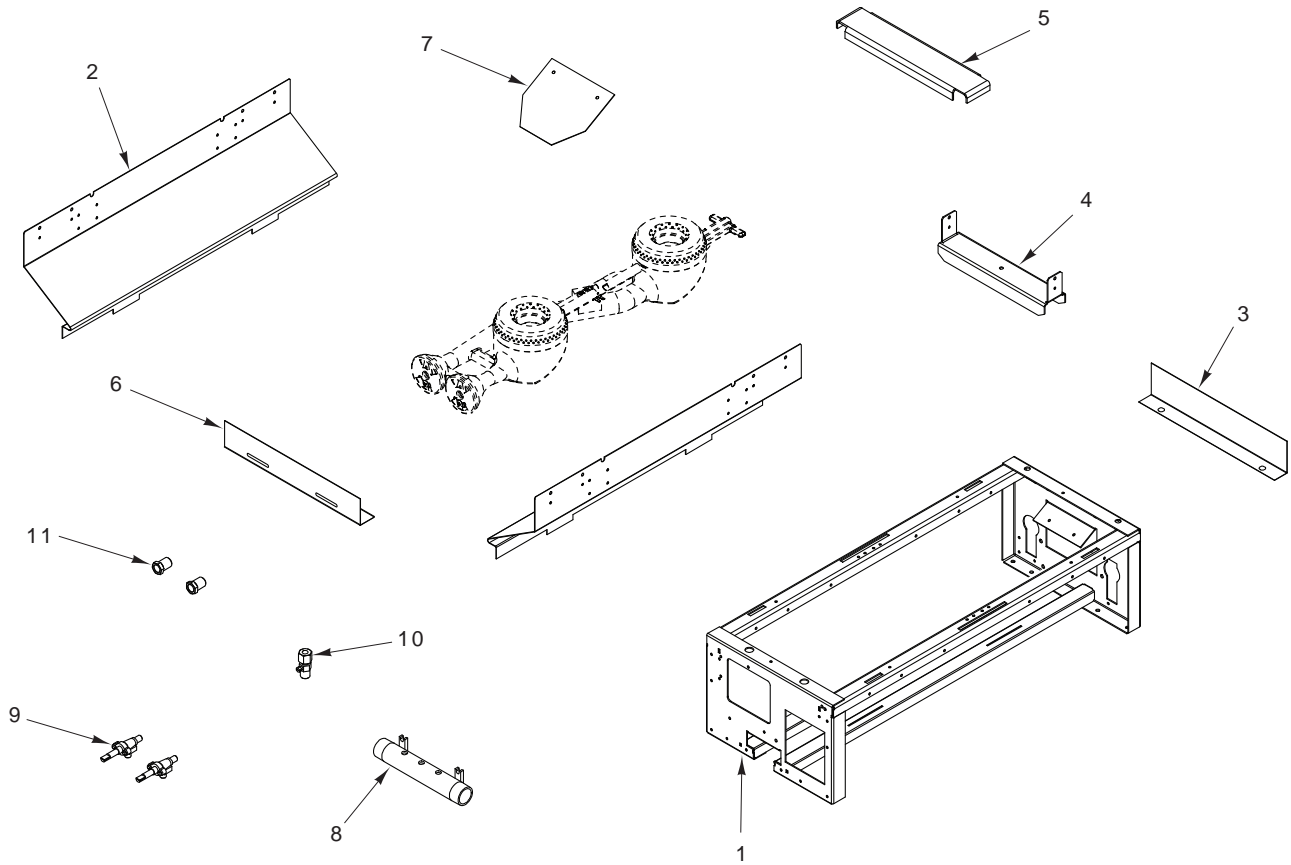
OPEN TOP BURNER (WITH PILOT)

| ILLUS. | PART NO. | NAME OF PART | AMT. |
|----------|-----------------|-------------------------------------|------|
| PL-59598 | | | |
| 1 | 00-928015 | Venturi Burner Assy..... | 1 |
| 2 | 00-417608-00002 | Burner Head | 2 |
| 3 | 00-925067 | Double Shutters..... | 1 |
| 4 | 00-925069 | Bracket – Pilot Mounting..... | 1 |
| 5 | 00-413302-00001 | Clip – Pilot Mounting..... | 2 |
| 6 | - | Self-Tapping Screw 10-24 x 1/4..... | 8 |
| 7 | 00-925068 | Shutter – Venturi Top | 2 |
| 8 | 00-719135 | Top – Pilot (SST)..... | 2 |
| 9 | 00-719174 | Tee 3/16 (Brass)..... | 1 |
| 10 | 00-921407 | Tubing | 2 |



OPEN TOP BURNER (WITH FLASH TUBE)

| ILLUS. | PART NO. | NAME OF PART | AMT. |
|----------|-----------------|-------------------------------------|------|
| PL-59599 | | | |
| 1 | 00-714215-00002 | Open Top Burner..... | 1 |
| 2 | 00-417608-00001 | Burner Head | 2 |
| 3 | 00-719329 | Shutters | 2 |
| 4 | 00-787275-00001 | Flash Tube | 1 |
| 5 | 00-413302-00001 | Clip – Pilot Mounting..... | 1 |
| 6 | - | Self-Tapping Screw 10-24 x 1/4..... | 3 |

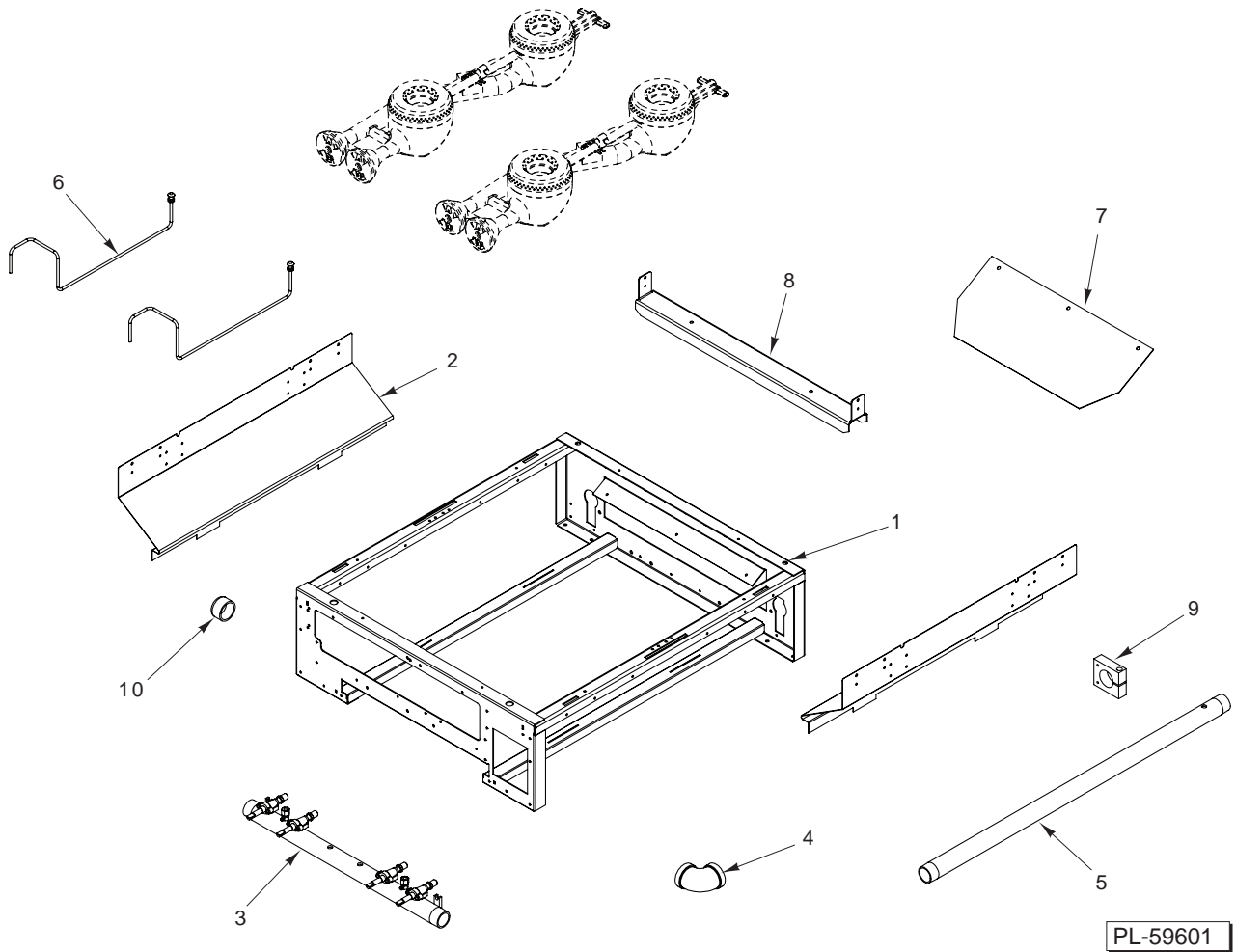


PL-59600

OPEN TOP BURNER MODULE (12 INCH ASSEMBLY)

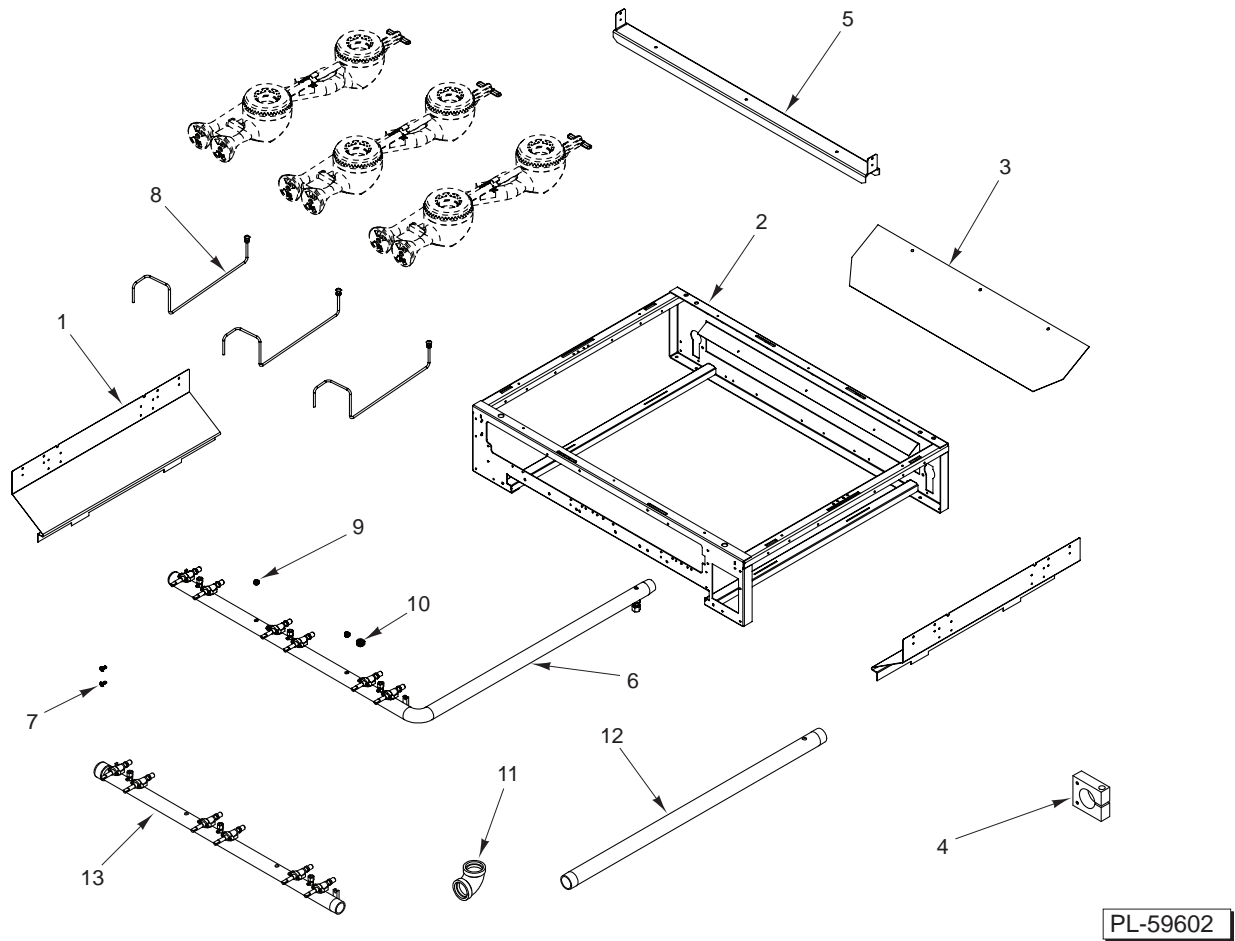
| ILLUS. | PART NO. | NAME OF PART | AMT. |
|--------|-----------------|--------------------------------------|------|
| | | | |
| 1 | 00-924002-0000A | Weldment – Frame Assy. (12 In.)..... | 1 |
| 2 | 00-925015 | Drip Pan Guide | 2 |
| 3 | 00-921141 | Rear Heat Shield (12 In.)..... | 1 |
| 4 | 00-924006 | Burner Support | 1 |
| 5 | 00-924007 | Grate Support | 1 |
| 6 | 00-921160 | Front Heat Shield (12 In.) | 1 |
| 7 | 00-924022 | Deflector – OTB Module (12 In.)..... | 1 |
| 8 | 00-924005-0000A | Manifold Weldment (12 In.)..... | 1 |
| 9 | AB-A18-318 | Burner Control Valve..... | 2 |
| 10 | 00-719179 | Valve – Single Pilot..... | 1 |
| *11 | - | Valve Hood..... | 2 |

* See Orifice Chart on page 3.



OPEN TOP BURNER MODULE (24 INCH ASSEMBLY)

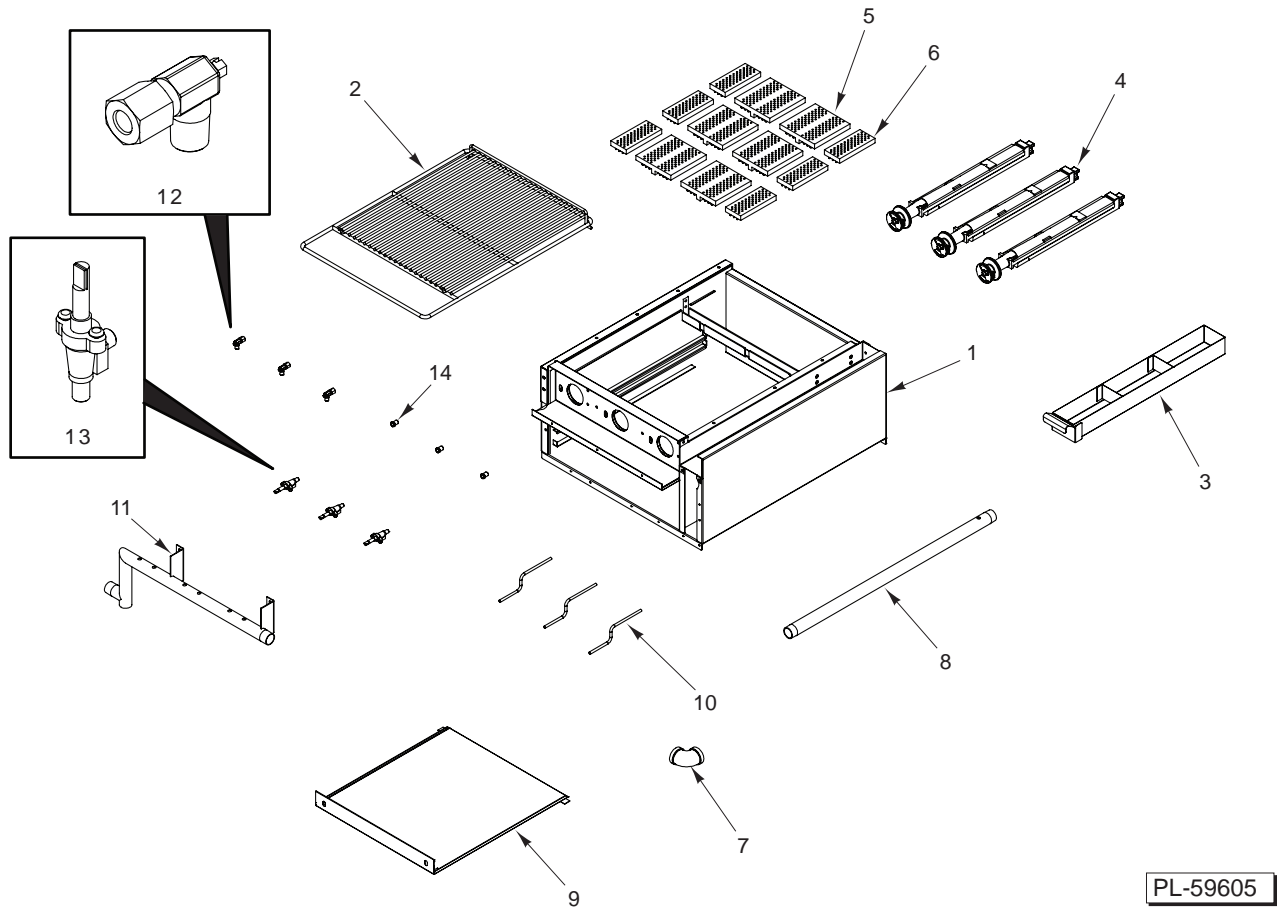
| ILLUS. PL-59601 | PART NO. | NAME OF PART | AMT. |
|--------------------|-----------------|--------------------------------------|------|
| 1 | 00-924502-0000A | Weldment – Frame Assy. (24 In.)..... | 1 |
| 2 | 00-925015 | Drip Pan Guide | 2 |
| 3 | 00-924504-0000A | Manifold Assy. (24 In.)..... | 1 |
| 4 | 00-925053 | Elbow (1 In.)..... | 1 |
| 5 | 00-929004 | Inlet Pipe (1 In.) | 1 |
| 6 | 00-921107-0000A | Pilot Pipe Assy. | 2 |
| 7 | 00-924515 | Deflector – Rear..... | 1 |
| 8 | 00-924516 | Burner Support | 1 |
| 9 | 00-921009 | Saddle Clamp | 1 |
| 10 | 00-929016 | Cap | 1 |



OPEN TOP BURNER MODULE (36 INCH ASSEMBLY)

| ILLUS. | PART NO. | NAME OF PART | AMT. |
|--------|-----------------|--|------|
| 1 | 00-925015 | Drip Pan Guide | 2 |
| 2 | 00-925003-0000A | Top Frame Assy. (36 In.) | 1 |
| 3 | 00-925014 | Deflector – Rear..... | 1 |
| 4 | 00-921009 | Saddle Clamp (Alternate Assy.) | 1 |
| 5 | 00-925035 | Burner Support | 1 |
| *6 | - | Manifold Assy..... | 1 |
| 7 | 00-730228 | Self-Tapping Screw 10-24 x 1/2..... | 21 |
| 8 | 00-922124 | Pilot Pipe Assy. | 3 |
| 9 | 00-719363 | Plug 1/8 Countersink | 2 |
| 10 | 00-719371 | Plug 1/4 Steel Hex Hd. | 2 |
| 11 | 00-925053 | Elbow (1 In.) (Alternate Assy.)..... | 1 |
| 12 | 00-929004 | Inlet Pipe (Alternate Assy.)..... | 1 |
| 13 | 00-929003-0000A | Manifold Assembly (36 In.) (Alternate Assy.) | 1 |

* See Oven Burner Assembly for servicable parts. Manifold Assembly 00-925011-0000A is not available, components available for purchase.

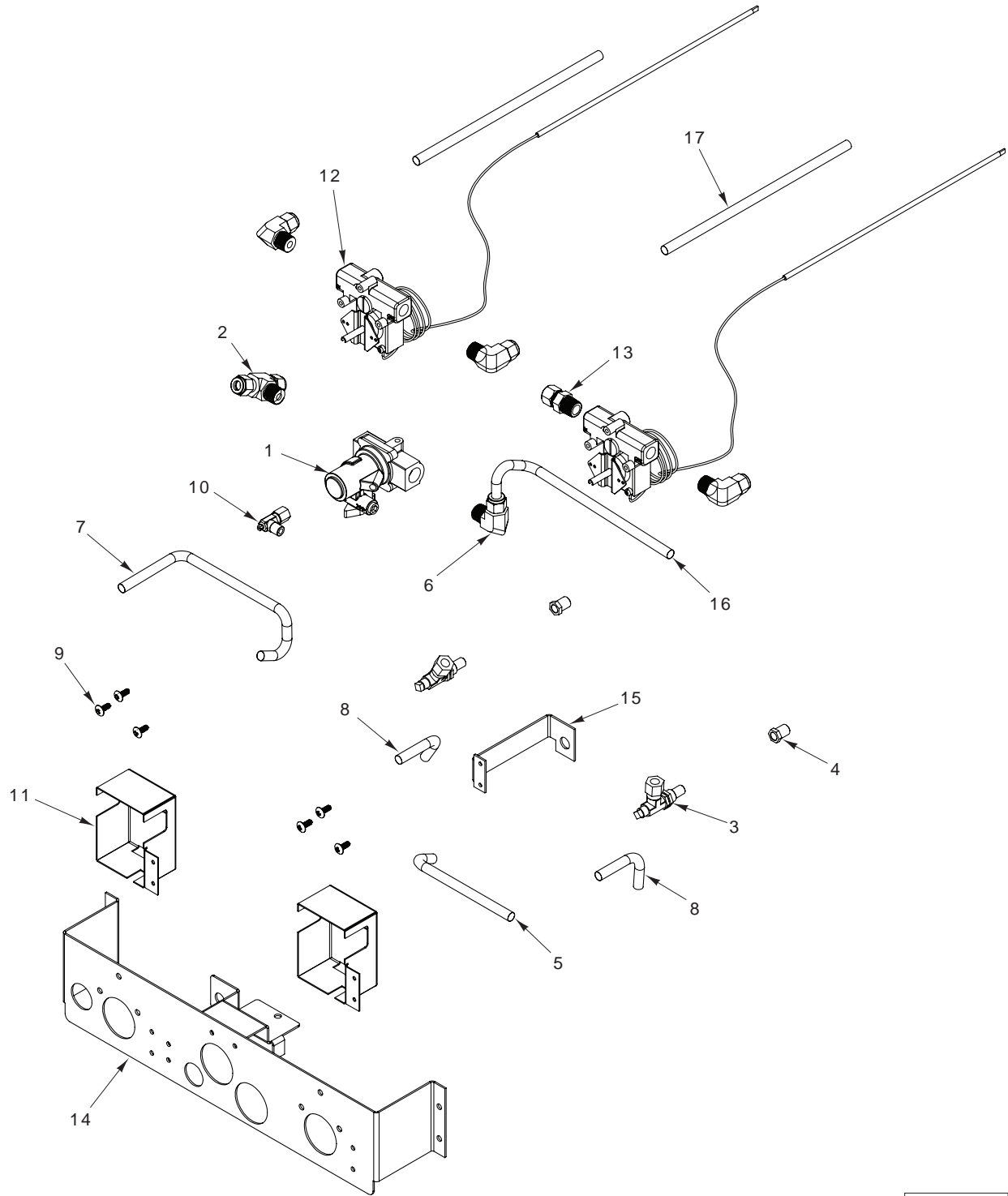


PL-59605

GRIDDLE/BROILER TOP MODULE

| ILLUS. | PART NO. | NAME OF PART | AMT. |
|--------|-----------------|--|------|
| | PL-59605 | | |
| 1 | 00-921373-0000A | Frame Assy. (260 Grd/Brlr) | 1 |
| 2 | 00-417632-00001 | Broiler Grid..... | 1 |
| 3 | 00-921490-0000A | Grease Can Assy. | 1 |
| 4 | 00-411684-000G1 | Burner (Grd/Brlr) | 3 |
| 5 | 00-404145-00001 | Broiler Brick – Center..... | 6 |
| 6 | 00-417698-00001 | Broiler Brick – Side | 6 |
| 7 | 00-925053 | Elbow (1 In.)..... | 1 |
| 8 | 00-929004 | Inlet Pipe..... | 1 |
| 9 | 00-417669-000G1 | Tray Weldment – Drip (Broiler) | 1 |
| 10 | 00-497062-000G1 | Tube Assy. – Pilot (Broiler) (260) | 3 |
| 11 | 00-921485-0000A | Manifold Weldment | 1 |
| 12 | 00-404193-00001 | Valve 1/8 x 1/4 x 90 Deg. | 3 |
| 13 | 00-497240-00001 | Burner Control Valve..... | 3 |
| *14 | - | Valve Hood..... | 3 |

* See Orifice Chart on page 3.



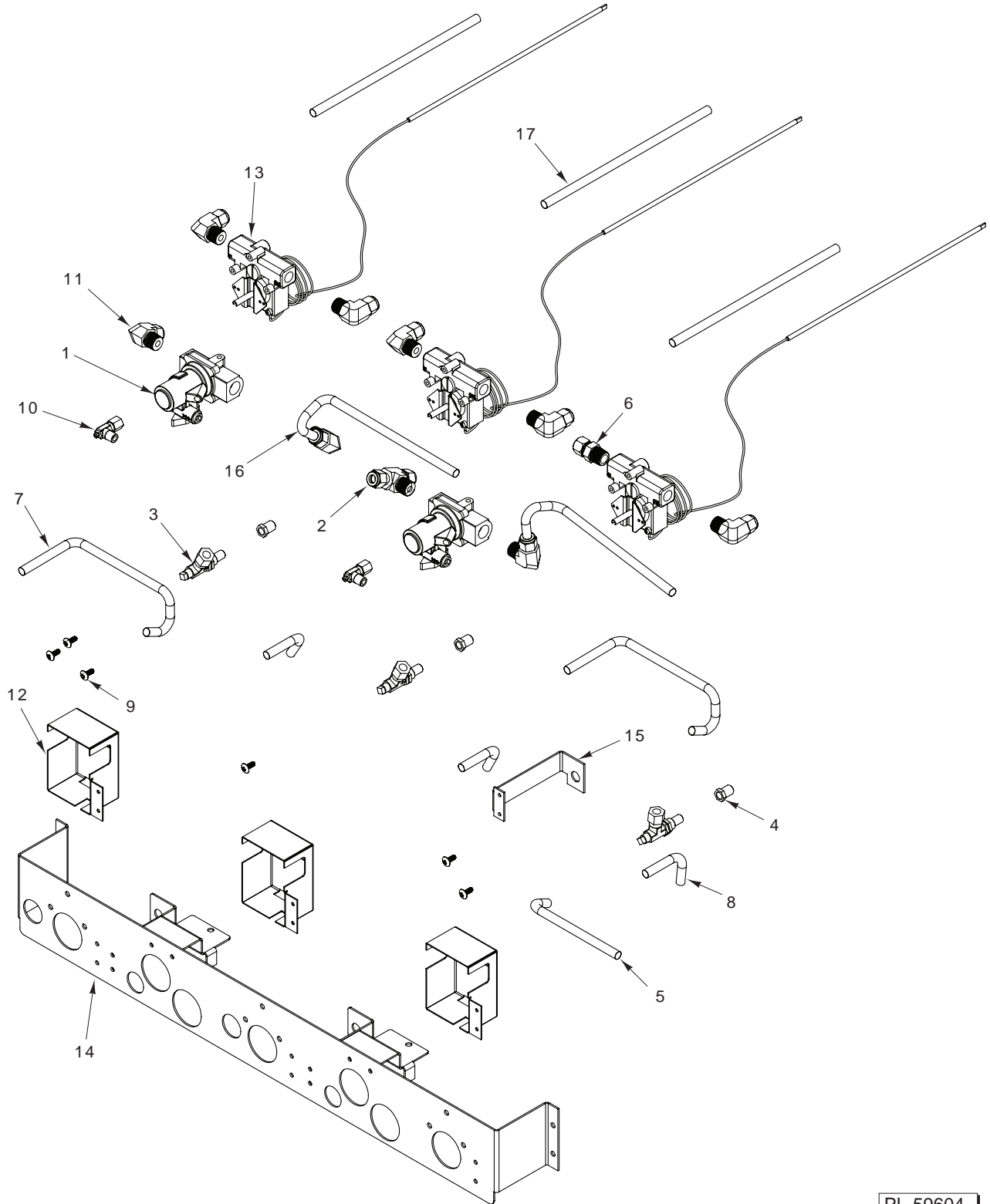
PL-59603

THERMOSTAT GRIDDLE CONTROL ASSEMBLY (24 INCH UNITS)

THERMOSTAT GRIDDLE CONTROL ASSEMBLY (24 INCH UNITS)

| ILLUS. PL-59603 | PART NO. | NAME OF PART | AMT. |
|--------------------|-----------------|---|------|
| 1 | 00-498025 | Valve – BASO H15AB-6..... | 1 |
| 2 | 00-498028 | Tee ³ / ₈ Male Compression..... | 1 |
| 3 | 00-719383 | Elbow ³ / ₈ Orifice | 2 |
| *4 | - | Valve – Hood..... | 2 |
| 5 | 00-928038 | Flex Tubing (³ / ₈ GS-BASO) | 1 |
| 6 | 00-719376 | Elbow ³ / ₈ x ³ / ₈ | 4 |
| 7 | 00-722221 | Flex Tubing (³ / ₈ x 12 In.)..... | 1 |
| 8 | 00-928037 | Flex Tubing (³ / ₈ GS-Nozzle) | 2 |
| 9 | 00-730228 | Self-Tapping Screw 10-24 x ¹ / ₂ | 6 |
| 10 | 00-404193-00001 | Valve ¹ / ₈ x ¹ / ₄ x 90 Deg. | 1 |
| 11 | 00-921167 | GS Cover | 2 |
| 12 | 00-498096-00550 | Valve 550F T-Stat Combo..... | 2 |
| 13 | 00-719377 | Connector – Straight ³ / ₈ x ³ / ₈ (Brass)..... | 1 |
| 14 | 00-921168-0000A | Weldment – Control Panel TRD24..... | 1 |
| 15 | 00-921071 | Bracket – Right Orifice..... | 1 |
| 16 | 00-722221 | Flex Tubing (³ / ₈ x 12 In.)..... | 1 |
| 17 | 00-719566 | Sleeving – Silicon | 2 |

* See orifice chart on page 3.



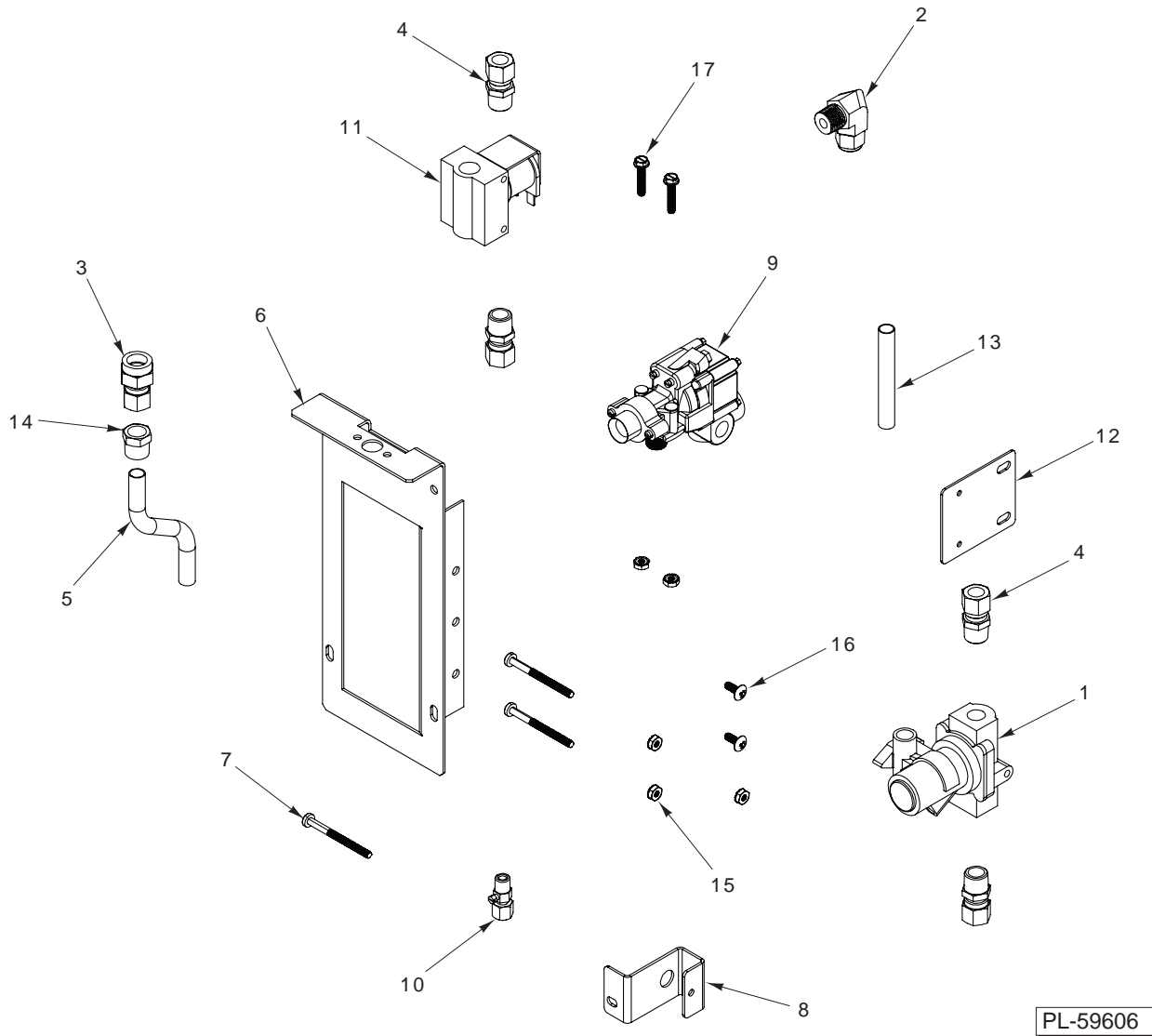
PL-59604

THERMOSTAT GRIDDLE CONTROL ASSEMBLY (36 INCH UNITS)

THERMOSTAT GRIDDLE CONTROL ASSEMBLY (36 INCH UNITS)

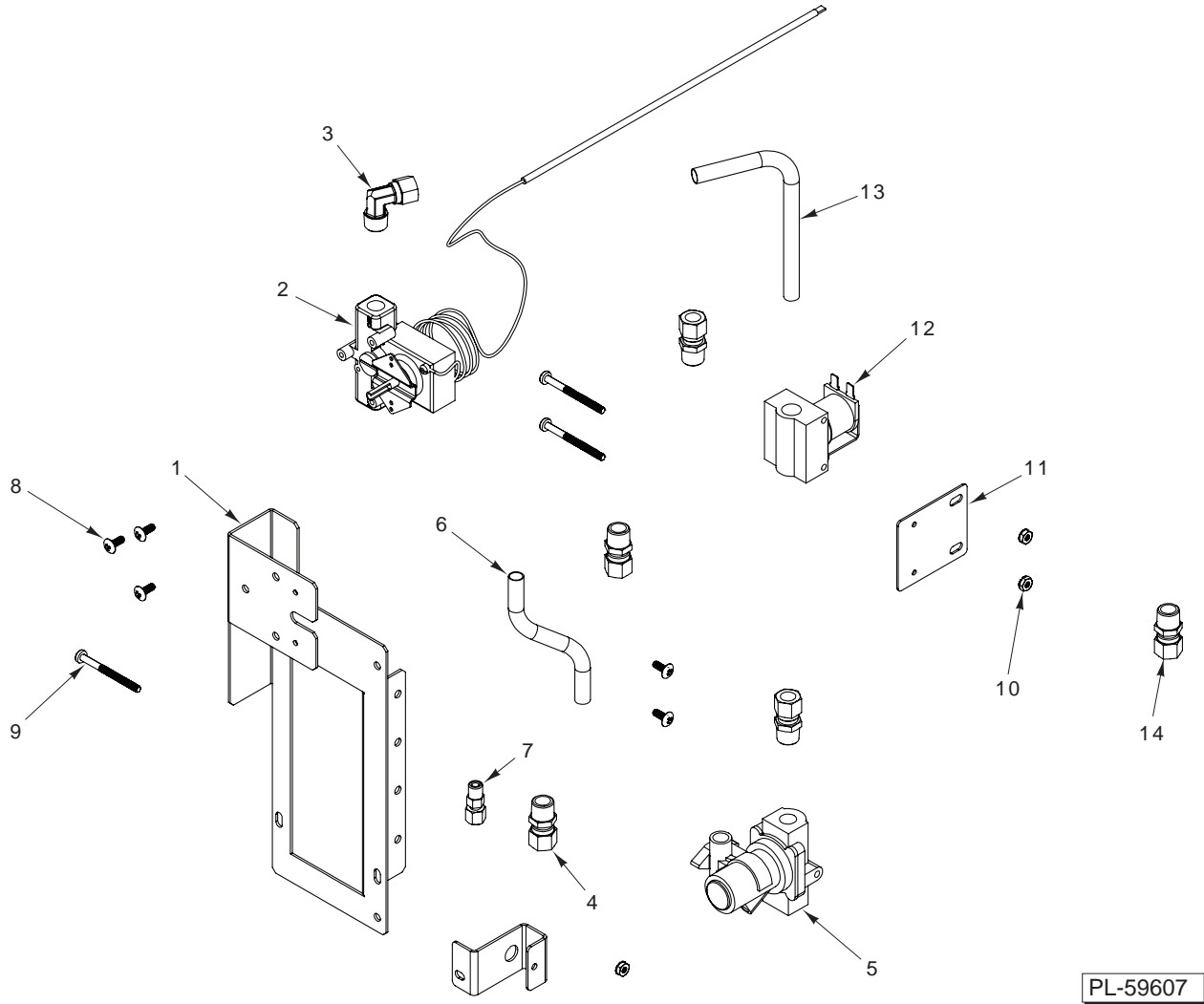
| ILLUS. | PART NO. | NAME OF PART | AMT. |
|----------|-----------------|---|------|
| PL-59604 | | | |
| 1 | 00-498025 | Valve – BASO H15AB-6..... | 2 |
| 2 | 00-498028 | Tee ³ / ₈ Male Compression..... | 1 |
| 3 | 00-719383 | Elbow ³ / ₈ Orifice | 3 |
| *4 | - | Orifice | 3 |
| 5 | 00-928038 | Flex Tubing (³ / ₈ GS-BASO)..... | 1 |
| 6 | 00-719377 | Connector – Straight ³ / ₈ x ³ / ₈ (Brass)..... | 1 |
| 7 | 00-722221 | Flex Tubing (³ / ₈ X 12 In.)..... | 2 |
| 8 | 00-928037 | Flex Tubing (³ / ₈ GS-Nozzle)..... | 3 |
| 9 | 00-730228 | Self-Tapping Screw 10-24 x ¹ / ₂ | 6 |
| 10 | 00-404193-00001 | Valve ¹ / ₈ x ¹ / ₄ x 90 Deg. | 2 |
| 11 | 00-719376 | Elbow ³ / ₈ x ³ / ₈ | 8 |
| 12 | 00-921167 | GS Cover..... | 3 |
| 13 | 00-498096-00550 | Valve (550F) T-Stat Combo | 3 |
| 14 | 00-921169-0000A | Weldment – Control Panel TRD36..... | 1 |
| 15 | 00-921071 | Bracket – Right Orifice..... | 1 |
| 16 | 00-722221 | Flex Tubing (³ / ₈ X 12 In.)..... | 2 |
| 17 | 00-719566 | Sleeving – Silicon | 3 |

* See Orifice Chart on page 3.



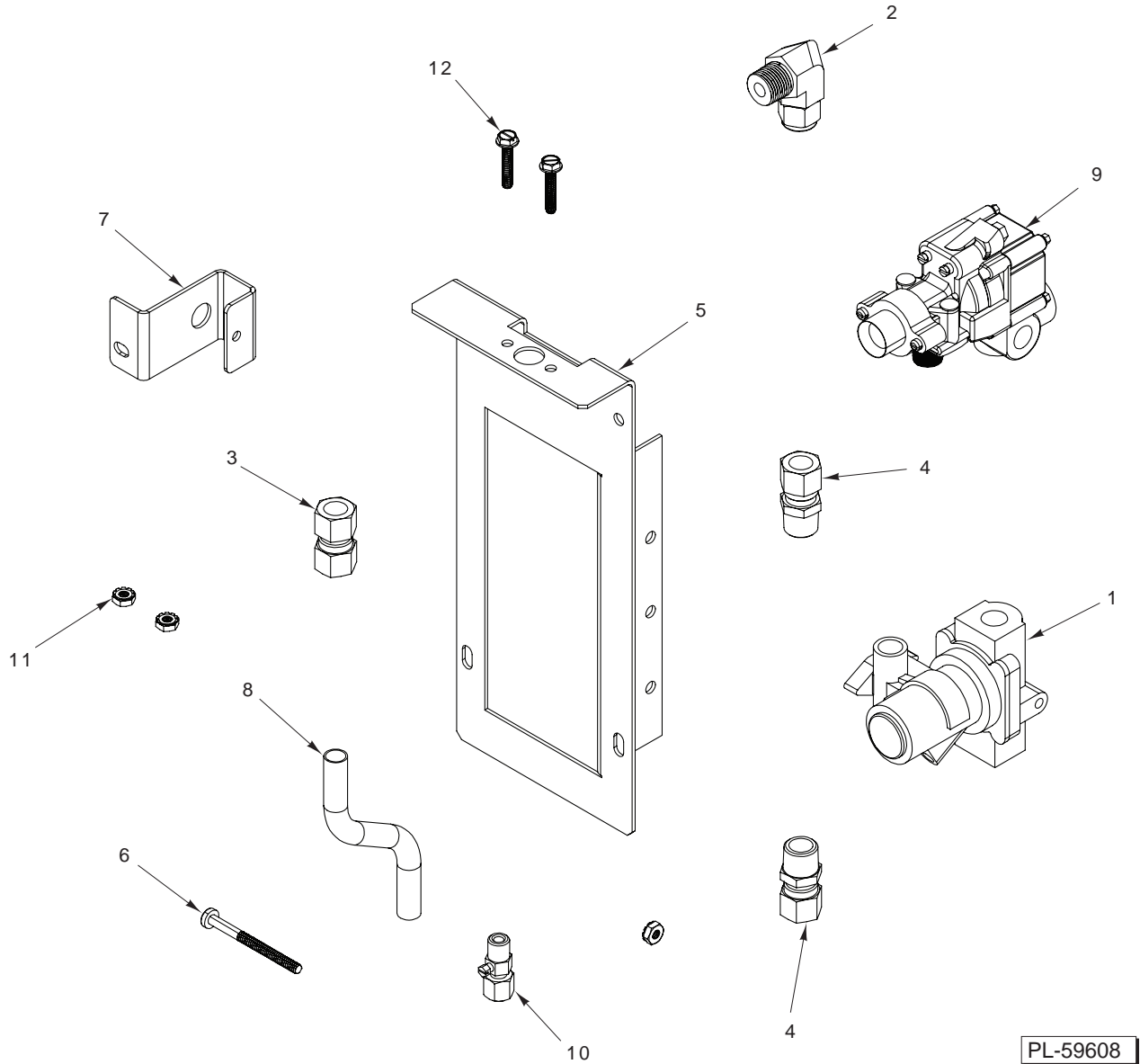
CONVECTION OVEN CONTROL BRACKET (BEFORE 3/11/2010)

| ILLUS. | PART NO. | NAME OF PART | AMT. |
|--------|-----------------|---|------|
| 1 | 00-922008 | BASO H15AB-7 | 1 |
| 2 | 00-922015 | Elbow | 1 |
| 3 | FP-086-07 | Fitting – Straight $\frac{3}{8}$ X $\frac{7}{16}$ | 1 |
| 4 | FP-085-42 | Fitting $\frac{3}{8}$ X $\frac{7}{16}$ | 4 |
| 5 | 00-922007 | Tubing – T-Stat Safety | 1 |
| 6 | 00-922010 | Bracket – Controller | 1 |
| 7 | 00-730054 | Screw 10-24 x 2 $\frac{1}{4}$ | 3 |
| 8 | 00-922014 | Bracket – BASO Support | 1 |
| 9 | 00-922020 | BJ Thermostat..... | 1 |
| 10 | 00-719179 | Valve – Single Pilot | 1 |
| 11 | 00-770085-00002 | Solenoid..... | 1 |
| 12 | 00-922027 | Mounting Plate – Solenoid..... | 1 |
| 13 | 00-921544 | Tubing – T-Stat to Solenoid | 1 |
| 14 | 00-921540 | Reducer $\frac{3}{8}$ X $\frac{1}{4}$ | 1 |
| 15 | 00-730534 | Nut 10-24 Hex KEPS | 5 |
| 16 | 00-730228 | Self-Tapping Screw 10-24 x $\frac{1}{2}$ | 2 |
| 17 | 00-922019 | Screw 10-24 X 1 | 2 |



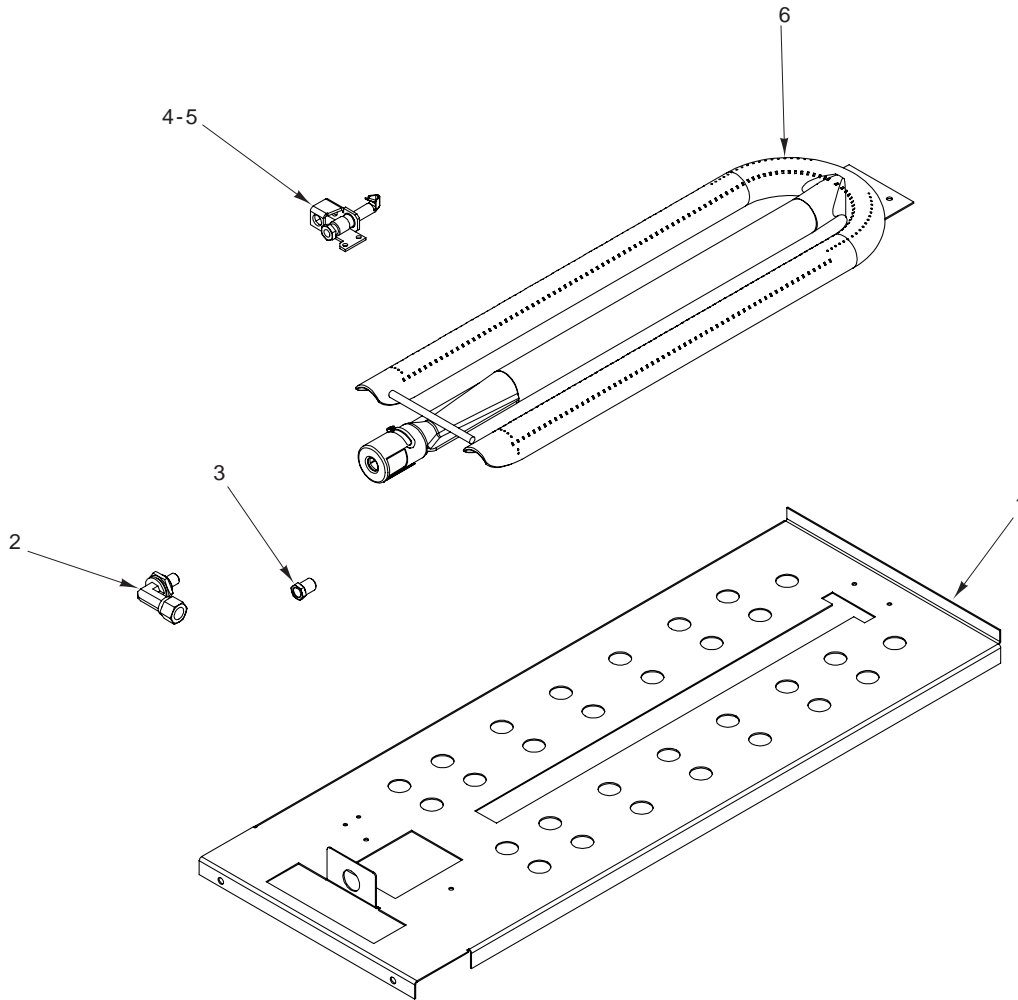
CONVECTION OVEN CONTROL BRACKET (ON OR AFTER 3/11/2010)

| ILLUS. | PART NO. | NAME OF PART | AMT. |
|--------|-----------------|--|------|
| 1 | 00-921638 | Bracket – Controller | 1 |
| 2 | 00-498096-00550 | Valve (550F) T-Stat Combo | 1 |
| 3 | FP-085-68 | Elbow ³ / ₈ X ⁷ / ₁₆ | 1 |
| 4 | 00-922014 | Bracket – BASO Support | 1 |
| 5 | 00-922008 | BASO H15AB-7 | 1 |
| 6 | 00-922007 | Tubing – T-Stat Safety | 1 |
| 7 | 00-719179 | Valve – Single Pilot | 1 |
| 8 | 00-730228 | Self-Tapping Screw 10-24 x ¹ / ₂ | 5 |
| 9 | 00-730054 | Screw 10-24 x 2 ¹ / ₄ | 3 |
| 10 | 00-730534 | Nut 10-24 Hex KEPS | 3 |
| 11 | 00-922027 | Mounting Plate – Solenoid..... | 1 |
| 12 | 00-770085-00002 | Solenoid..... | 1 |
| 13 | 00-426508-00008 | Flex Tube (⁷ / ₁₆ X 8 In.)..... | 1 |
| 14 | FP-085-42 | Fitting ³ / ₈ X ⁷ / ₁₆ | 5 |



STANDARD OVEN CONTROL BRACKET

| ILLUS. PL-59608 | PART NO. | NAME OF PART | AMT. |
|--------------------|-----------------|--|------|
| 1 | 00-922008 | BASO H15AB-7 | 1 |
| 2 | 00-922015 | Elbow | 1 |
| 3 | 00-922017 | Fitting ¹ / ₈ x ⁷ / ₁₆ | 1 |
| 4 | FP-085-42 | Fitting ³ / ₈ x ⁷ / ₁₆ | 2 |
| 5 | 00-922010 | Bracket – Controller | 1 |
| 6 | 00-730054 | Screw 10-24 x 2 ¹ / ₄ | 1 |
| 7 | 00-922014 | Bracket – BASO Support..... | 1 |
| 8 | 00-426508-00006 | Flex Tubing (6 In.)..... | 1 |
| 9 | 00-922020 | BJ Thermostat..... | 1 |
| 10 | 00-719179 | Valve – Single Pilot..... | 1 |
| 11 | 00-730534 | Nut 10-24 Hex KEPS..... | 3 |
| 12 | 00-922019 | Screw 10-24 X 1 | 2 |

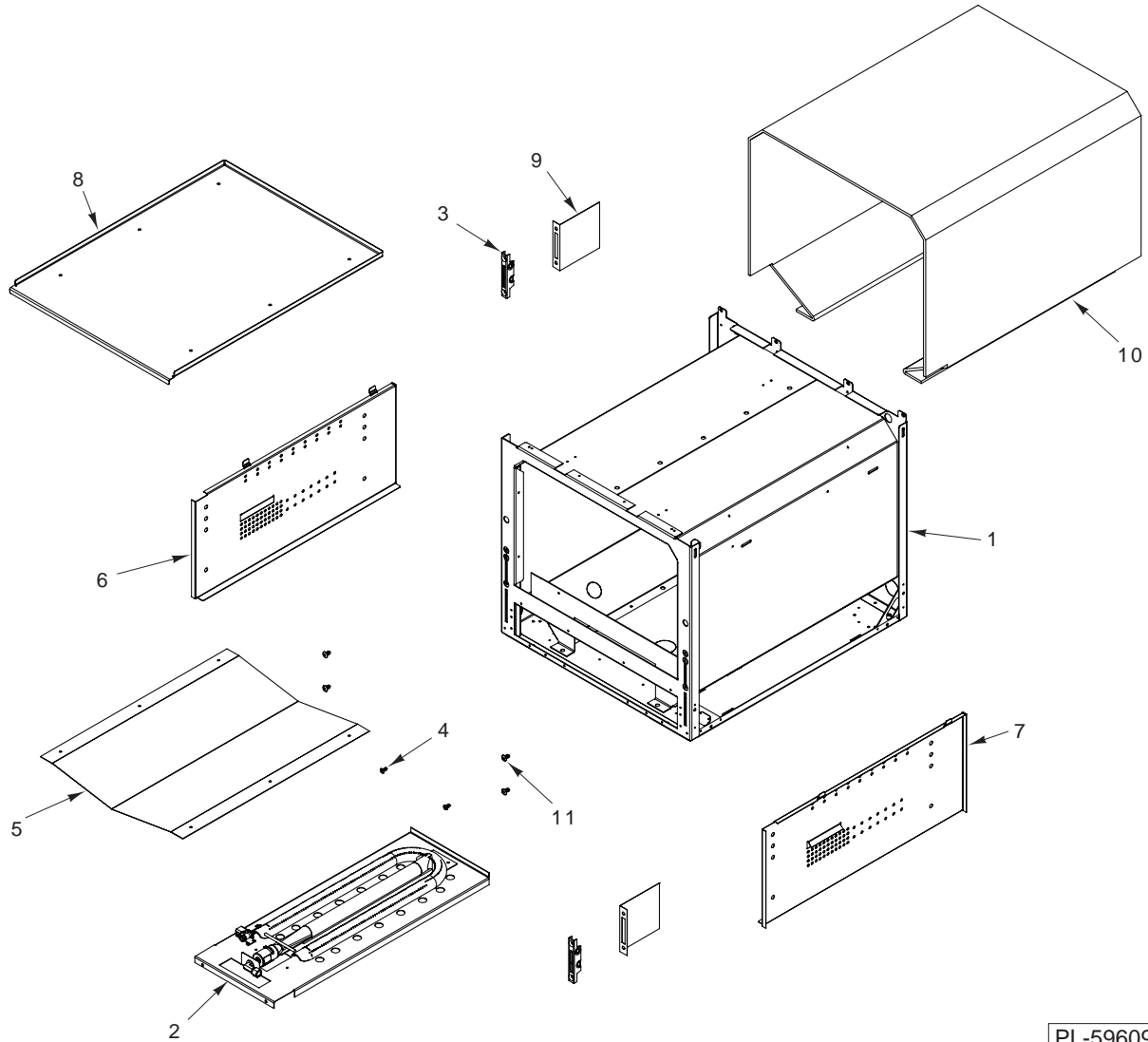


PL-59613

OVEN BURNER ASSEMBLY

| ILLUS. | PART NO. | NAME OF PART | AMT. |
|----------|-------------|---|------|
| PL-59613 | | | |
| 1 | 00-921023 | Carrier – Burner..... | 1 |
| 2 | 00-404079-F | Elbow ⁷ / ₁₆ Orifice..... | 1 |
| *3 | - | Valve Hood..... | 1 |
| 4 | 00-426262-1 | Oven Pilot Assy. (NAT)..... | 1 |
| 5 | 00-426262-2 | Oven Pilot Assy. (PRO)..... | 1 |
| 6 | 00-921091-A | Burner – Oven Module..... | 1 |

* See Orifice Chart on page 3.



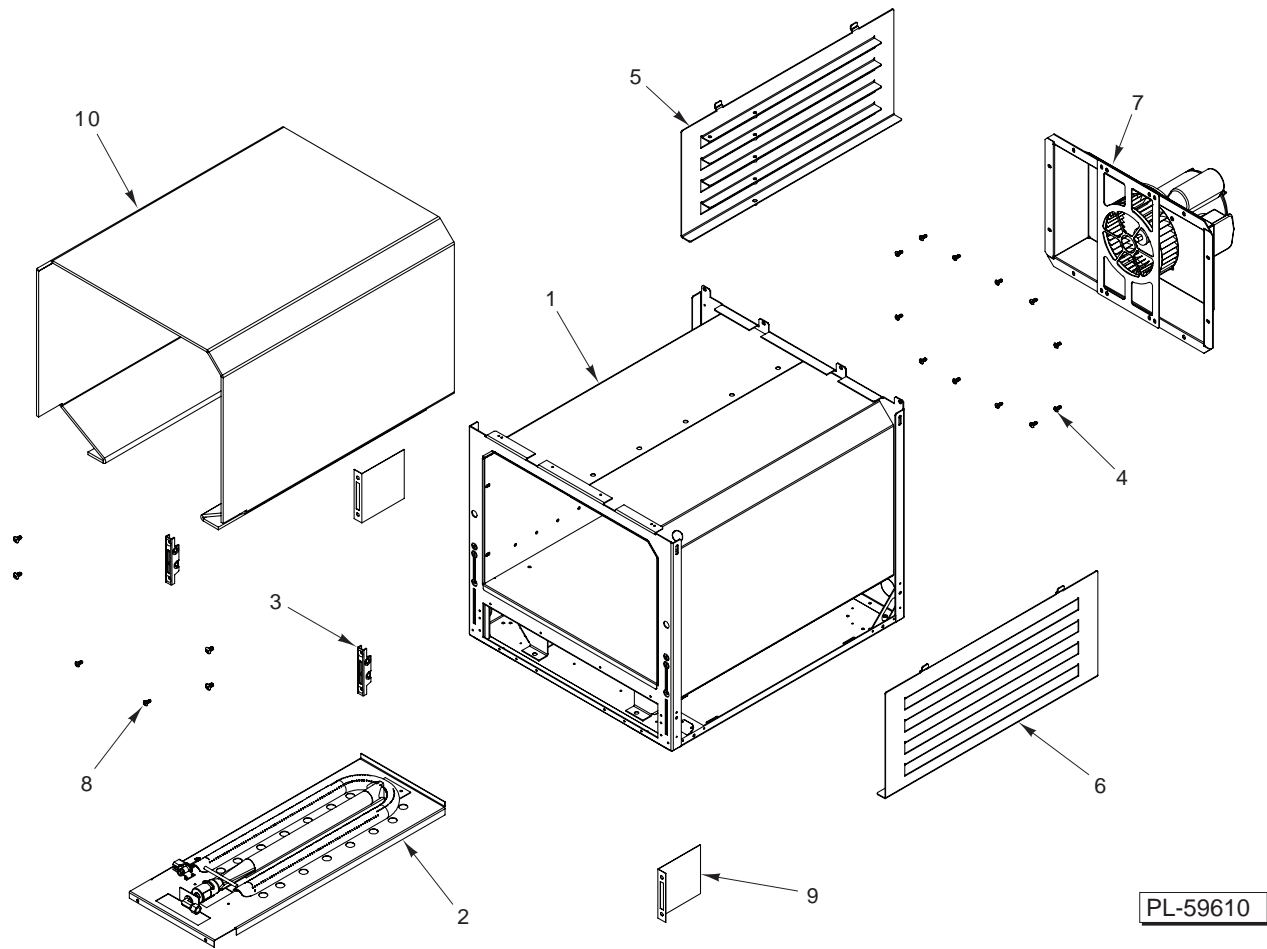
PL-59609

CONVECTION OVEN MODULE (24 SERIES)

STANDARD OVEN MODULE (24 SERIES)

| ILLUS. | PART NO. | NAME OF PART | AMT. |
|----------|-----------------|-------------------------------------|------|
| PL-59609 | | | |
| 1 | 00-923500-0000A | Frame Assy. (24 In.)..... | 1 |
| *2 | 00-921021-0000A | Oven Burner Assy. | 1 |
| 3 | 00-497029-00001 | Door Hinge Stop | 2 |
| 4 | 00-730228 | Self-Tapping Screw 10-24 x 1/2..... | 2 |
| 5 | 00-923516 | Flame Deflector | 1 |
| 6 | 00-921073 | Side Panel – Left | 1 |
| 7 | 00-921078 | Side Panel – Right..... | 1 |
| 8 | 00-923515 | Cavity Bottom (24 In.)..... | 1 |
| 9 | 00-921095 | Insulation – Door Hinge | 2 |
| 10 | 00-923527 | Insulation Blanket (24 In.) | 1 |
| 11 | 00-723369 | Screw 1/4-20 x 1/2 | 4 |

* See Oven Burner Assembly for servicable parts.



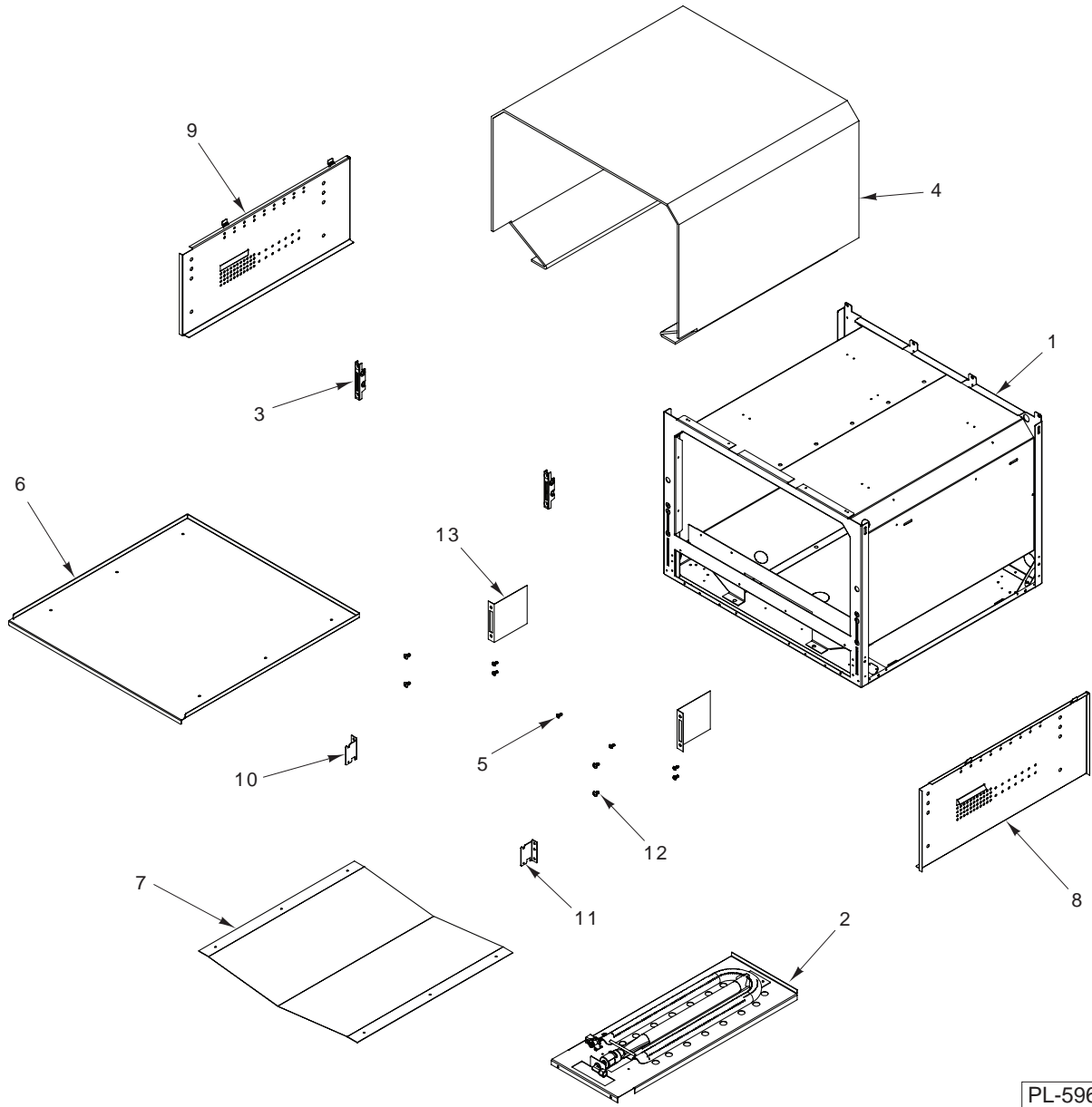
PL-59610

CONVECTION OVEN MODULE (24 SERIES)

CONVECTION OVEN MODULE (24 SERIES)

| ILLUS. | PART NO. | NAME OF PART | AMT. |
|----------|-----------------|--|------|
| PL-59610 | | | |
| 1 | 00-921676-0000A | Convection Oven Cavity Assy. (24 In.)..... | 1 |
| *2 | 00-921021-0000A | Oven Burner Assy. | 1 |
| 3 | 00-497029-00001 | Door Hinge Stop | 2 |
| 4 | 00-730228 | Self-Tapping Screw 10-24 x 1/2..... | 14 |
| 5 | 00-921547-0000A | Rack Guide Assy. – Left..... | 1 |
| 6 | 00-921546-0000A | Rack Guide Assy. – Right | 1 |
| **7 | 00-921500-0A-24 | Motor Assy. (24 In. Convection Oven) | 1 |
| 8 | 00-723369 | Screw 1/4-20 x 1/2 | 4 |
| 9 | 00-921095 | Insulation – Door Hinge | 2 |
| 10 | 00-923527 | Insulation Blanket (24 In.) | 1 |

* See Oven Burner Assembly for servicable parts.
 ** See Convection Motor Assembly for servicable parts.

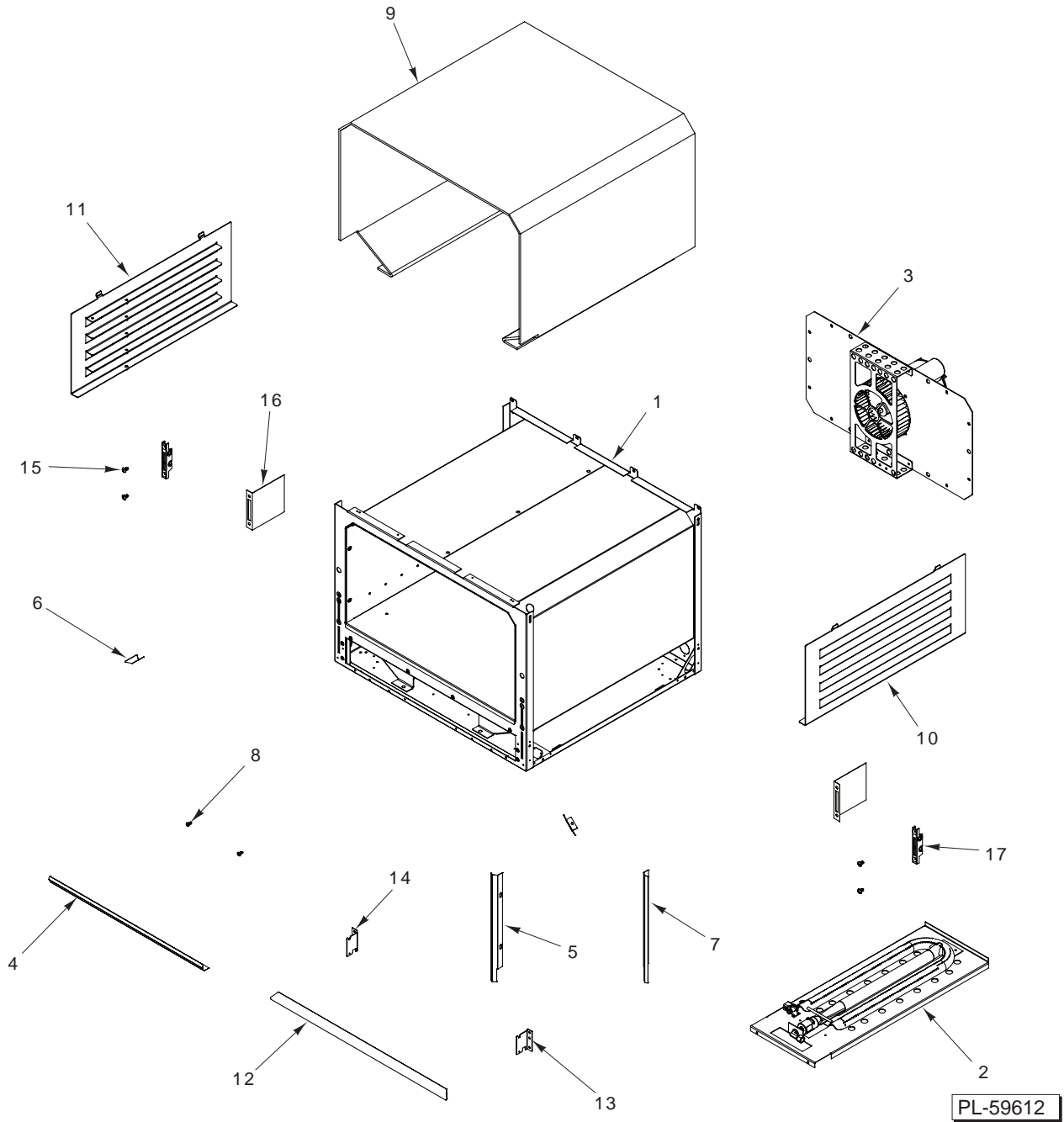


STANDARD OVEN MODULE (36 SERIES)

STANDARD OVEN MODULE (36 SERIES)

| ILLUS. | PART NO. | NAME OF PART | AMT. |
|----------|-----------------|-------------------------------------|------|
| PL-59611 | | | |
| 1 | 00-921070-0000A | Oven Module (30 In.)..... | 1 |
| *2 | 00-921021-0000A | Oven Burner Assembly..... | 1 |
| 3 | 00-497029-00001 | Door Hinge Stop..... | 2 |
| 4 | 00-921035 | Insulation Blanket..... | 1 |
| 5 | 00-730228 | Self-Tapping Screw 10-24 x 1/2..... | 6 |
| 6 | 00-921015 | Cavity Bottom (30 In. Oven)..... | 1 |
| 7 | 00-921080 | Flame Deflector..... | 1 |
| 8 | 00-921325 | Side Panel – Right..... | 1 |
| 9 | 00-921326 | Side Panel – Left..... | 1 |
| 10 | 00-921203 | Hinge – Kick Panel (LH)..... | 1 |
| 11 | 00-921204 | Hinge – Kick Panel (RH)..... | 1 |
| 12 | 00-723369 | Screw 1/4-20 x 1/2..... | 4 |
| 13 | 00-921095 | Insulation – Door Hinge..... | 2 |

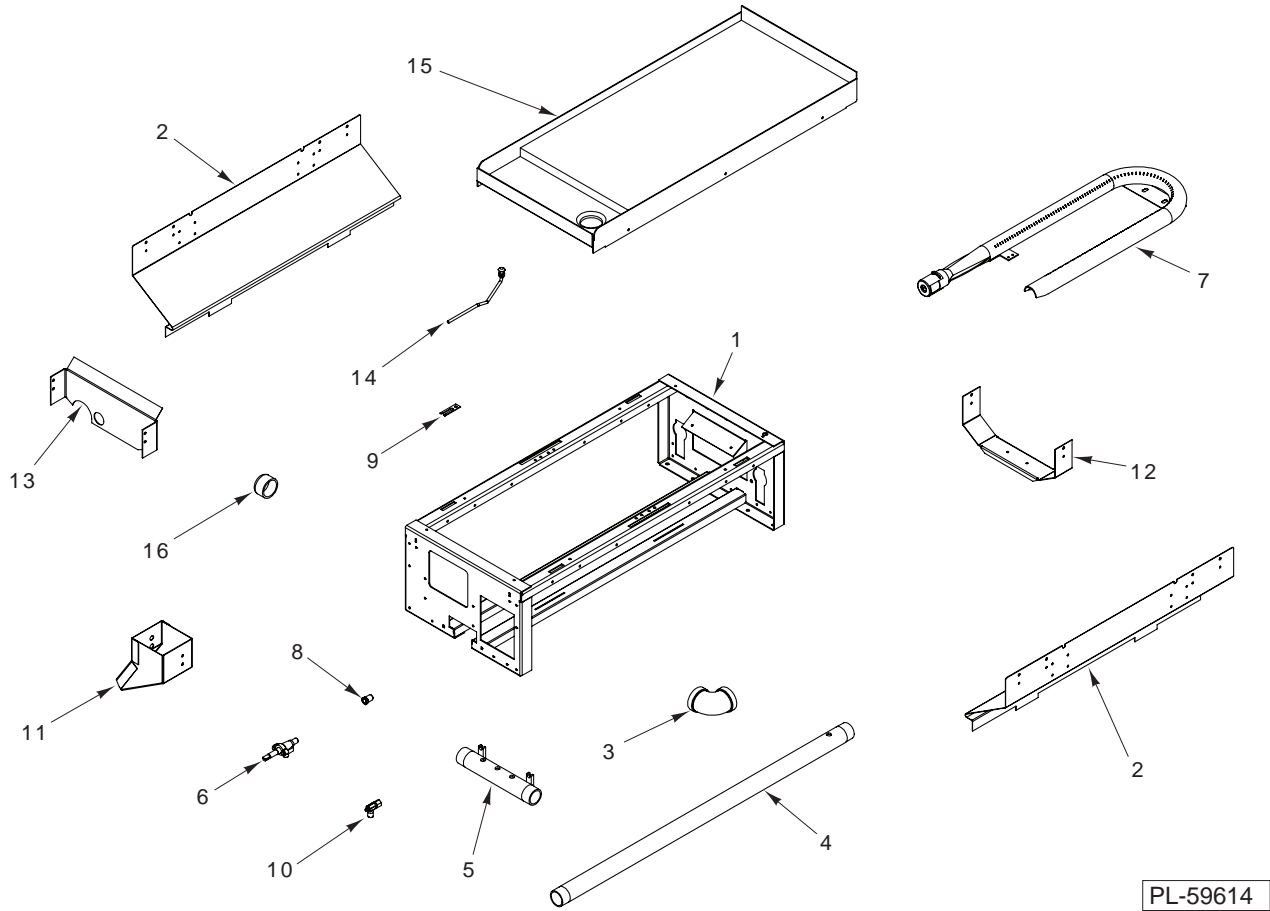
* See Oven Burner Assembly for servicable parts.



CONVECTION OVEN MODULE (36 SERIES) (ON OR AFTER 3/10/2010)

CONVECTION OVEN MODULE (36 SERIES) (ON OR AFTER 3/10/2010)

| ILLUS. | PART NO. | NAME OF PART | AMT. |
|----------|-----------------|---------------------------------------|------|
| PL-59612 | | | |
| 1 | 00-921469-0000A | Bottom Assy. (30 In. Convection)..... | 1 |
| 2 | 00-921021-0000A | Oven Burner Assembly | 1 |
| 3 | 00-921695-0000A | Motor Assy. (FB) | 1 |
| 4 | 00-921512 | Seal – Top | 1 |
| 5 | 00-921513 | Side Seal – Left | 1 |
| 6 | 00-921514 | Seal – Corner..... | 2 |
| 7 | 00-921536 | Side Seal – Right | 1 |
| 8 | 00-730228 | Self-Tapping Screw 10-24 x 1/2..... | 34 |
| 9 | 00-921035 | Insulation Blanket | 1 |
| 10 | 00-921546-0000A | Rack Guide Assy. – Right | 1 |
| 11 | 00-921547-0000A | Rack Guide Assy. – Left..... | 1 |
| 12 | 00-921537 | Seal – Bottom | 1 |
| 13 | 00-921204 | Hinge – Kick Panel (RH)..... | 1 |
| 14 | 00-921203 | Hinge – Kick Panel (LH) | 1 |
| 15 | 00-723369 | Screw 1/4-20 x 1/2 | 4 |
| 16 | 00-921095 | Insulation – Door Hinge | 2 |
| 17 | 00-497029-00001 | Door Hinge Stop | 2 |



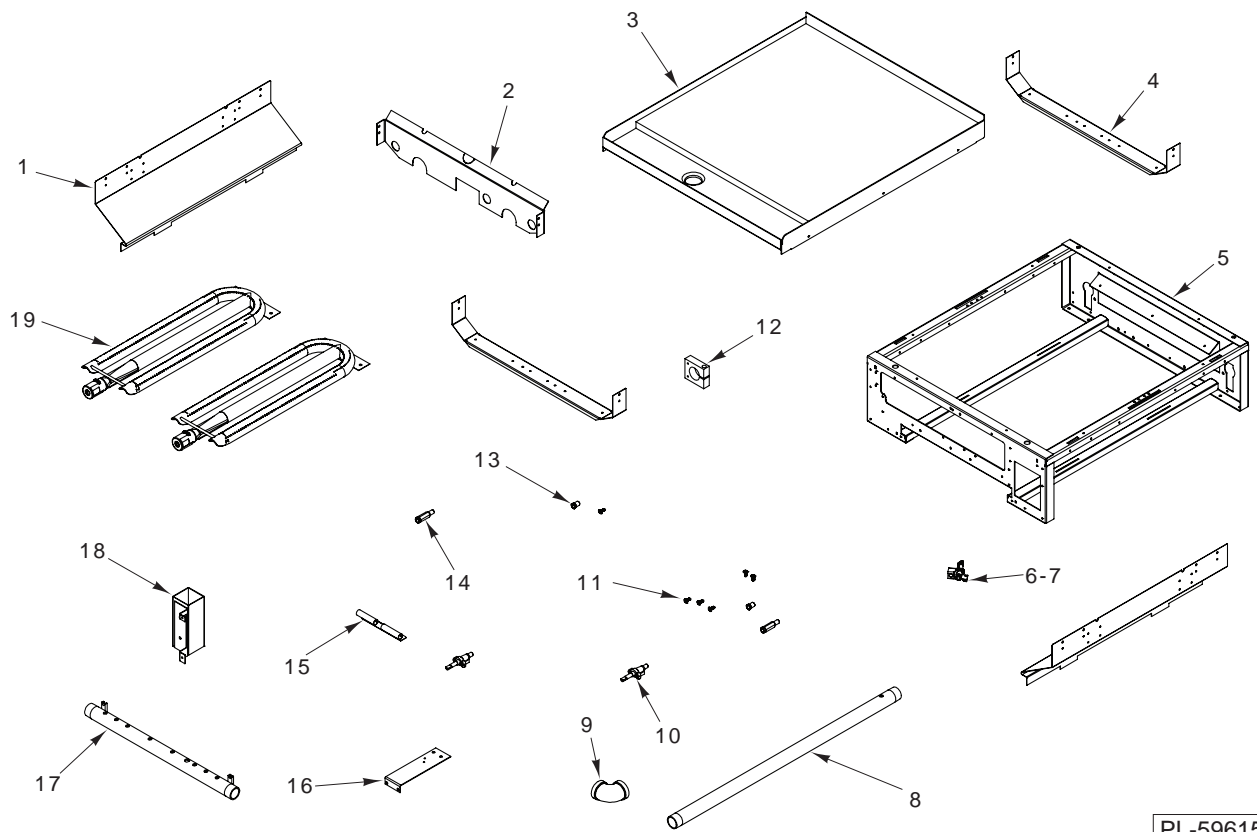
PL-59614

GRIDDLE TOP MODULE (12 INCH UNIT)

GRIDDLE TOP MODULE (12 INCH UNIT)

| ILLUS. PL-59614 | PART NO. | NAME OF PART | AMT. |
|--------------------|-----------------|---|------|
| 1 | 00-924002-0000A | Weldment – Frame Assy. (12 In.)..... | 1 |
| 2 | 00-925015 | Drip Pan Guide | 2 |
| 3 | 00-925053 | Elbow | 1 |
| 4 | 00-929004 | Inlet Pipe..... | 1 |
| 5 | 00-924005-0000A | Manifold Weldment (12 In.)..... | 1 |
| 6 | 00-497240-00001 | Valve – Manual Griddle..... | 1 |
| 7 | 00-924020-0000A | Burner – Griddle XL (12 In.)..... | 1 |
| *8 | - | Orifice | 1 |
| 9 | 00-413302-00001 | Clip – Pilot Mounting..... | 1 |
| 10 | 00-404193-00001 | Valve Pilot Adjustable (³ / ₁₆ In.)..... | 1 |
| 11 | 00-924016-0000A | Grease Chute Assy. | 1 |
| 12 | 00-924019 | Burner Support | 1 |
| 13 | 00-924028 | Heat Shield (12 In. Griddle) | 1 |
| 14 | 00-428915-00001 | Griddle Pilot Tube/Tip Assy. | 1 |
| 15 | 00-924012-0000A | Griddle Assy. (12 In.)..... | 1 |
| 16 | 00-929016 | Cap (1 to 1 ¹ / ₂)..... | 1 |

* See Orifice Chart on page 3.



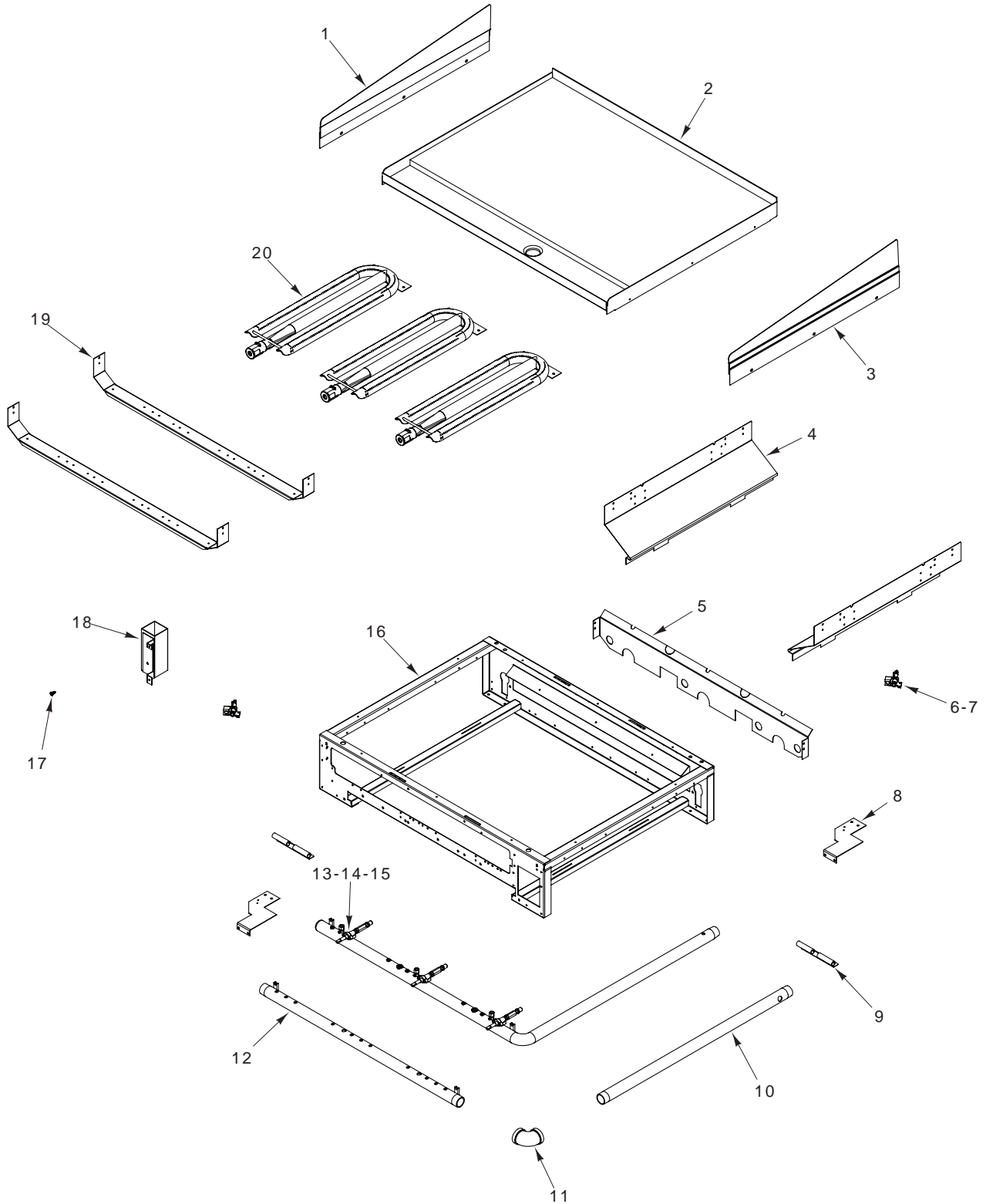
PL-59615

GRIDDLE TOP MODULE (24 INCH UNIT)

GRIDDLE TOP MODULE (24 INCH UNIT)

| ILLUS. | PART NO. | NAME OF PART | AMT. |
|----------|-----------------|---|------|
| PL-59615 | | | |
| 1 | 00-925015 | Drip Pan Guide | 2 |
| 2 | 00-926518 | Heat Shield (24 in. Griddle) | 1 |
| 3 | 00-924511-0000A | Griddle Assy. (24 In.)..... | 1 |
| 4 | 00-924503 | Burner Support | 2 |
| 5 | 00-924502-0000A | Frame Assy. (24 In.)..... | 1 |
| 6 | 00-426262-00001 | Oven Pilot Assy. (NAT)..... | 1 |
| 7 | 00-426262-00002 | Oven Pilot Assy. (PRO)..... | AR |
| 8 | 00-929004 | Inlet Pipe..... | 1 |
| 9 | 00-925053 | Elbow (1 In.)..... | 1 |
| 10 | 00-497240-00001 | Valve – Manual Griddle..... | 2 |
| 11 | 00-730228 | Self-Tapping Screw 10-24 x 1/2..... | 6 |
| 12 | 00-921009 | Saddle Clamp | 1 |
| *13 | - | Orifice | 2 |
| 14 | 00-926523 | Valve Extension | 2 |
| 15 | 00-921074 | Flash Tube – Griddles..... | 1 |
| 16 | 00-921075 | Bracket – Pilot Mount..... | 1 |
| 17 | 00-921027-0000A | Manifold Weldment (24 In.)..... | 1 |
| 18 | 00-926519-0000A | Grease Chute Assy. | 1 |
| 19 | 00-926509-0000A | Burner – Griddle XL (24 & 36 In.) | 2 |
| | 00-926513-0000A | Splash Assy. (RH) | 1 |
| | 00-926527-0000A | Splash Assy. (LH)..... | 1 |
| | 00-719179 | Valve – Pilot Adjustment (1/4 In.)..... | 1 |
| | 00-426505-00012 | Tube – Flex 1/4 x 12 In. | 1 |

* See Orifice Chart on page 3.



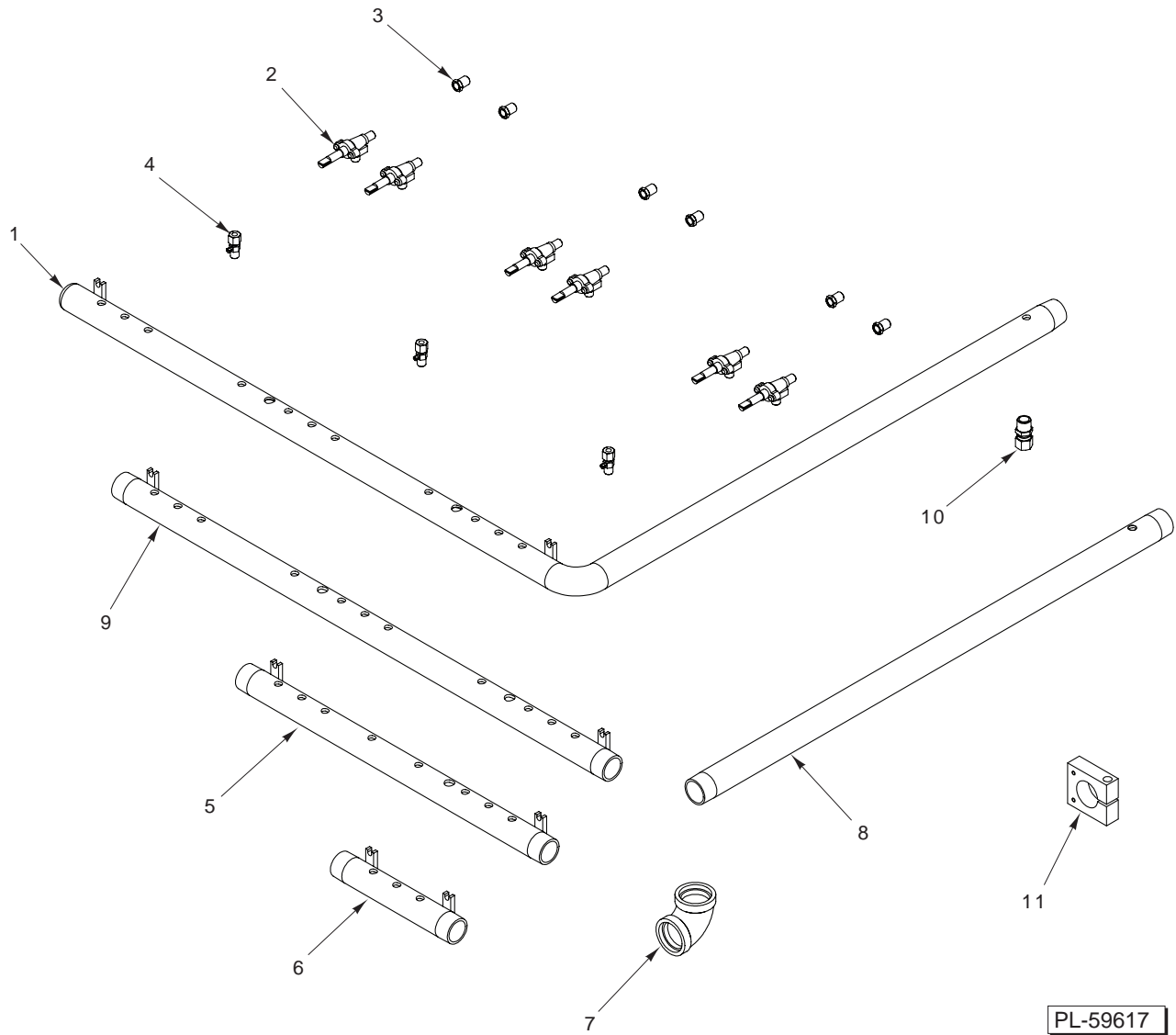
PL-59616

GRIDDLE TOP MODULE (36 INCH UNIT)

GRIDDLE TOP MODULE (36 INCH UNIT)

| ILLUS. | PART NO. | NAME OF PART | AMT. |
|----------|-----------------|--|------|
| PL-59616 | | | |
| 1 | 00-926527-0000A | Splash Assy. – Outer (LH)..... | 1 |
| 2 | 00-926500-0000A | Griddle Plate Assy. (36 In.)..... | 1 |
| 3 | 00-926513-0000A | Splash Assy. – Outer (RH)..... | 1 |
| 4 | 00-925015 | Drip Pan Guide | 2 |
| 5 | 00-926504 | Heat Shield (36 In.) T-Stat Griddle..... | 1 |
| 6 | 00-426262-00001 | Oven Pilot Assy. (NAT)..... | 2 |
| 7 | 00-426262-00002 | Oven Pilot Assy. (PRO)..... | 2 |
| 8 | 00-924523 | Bracket – Pilot Mount Left..... | 2 |
| 9 | 00-921074 | Flash Tube – Griddles..... | 2 |
| 10 | 00-929004 | Inlet Pipe..... | 1 |
| 11 | 00-925053 | Elbow | 1 |
| 12 | 00-921029-0000A | Manifold Weldment (36 In.)..... | 1 |
| 13 | 00-719179 | Valve – Pilot Adjustment | 2 |
| 14 | 00-497240-00001 | Valve – Manual Griddle..... | 3 |
| 15 | 00-956253 | Valve – Extension | 3 |
| 16 | 00-925003-0000A | Top Frame Assy. (36 In.)..... | 1 |
| 17 | 00-730228 | Self-Tapping Screw 10-24 x 1/2..... | AR |
| 18 | 00-926519-0000A | Grease Chute Assy. | 1 |
| 19 | 00-925013 | Burner Support (36 In. Griddle) | 2 |
| 20 | 00-926509-0000A | Burner – Griddle XL (24 & 36 In.) | 3 |
| | 00-426505-00012 | Tube – Flex 1/4 x 12 In..... | 2 |
| * | - | Orifice | 3 |

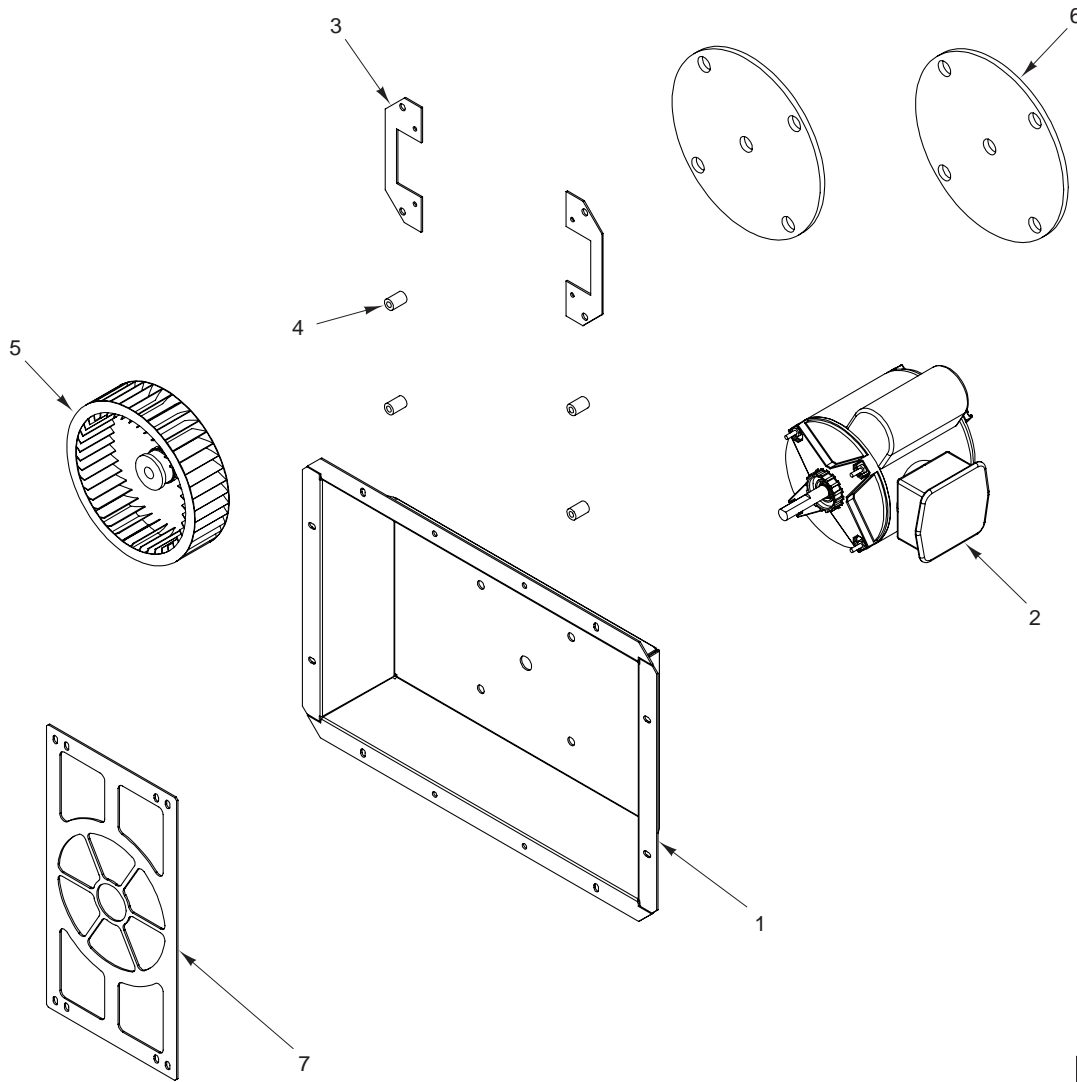
* See Orifice Chart on page 3.



OPEN TOP BURNER MANIFOLD ASSEMBLIES

| ILLUS. PL-59617 | PART NO. | NAME OF PART | AMT. | | |
|--------------------|-----------------|--|------|-----|-----|
| | | | 36" | 24" | 12" |
| 1 | 00-925008-0000A | Pipe – Manifold Module (36 In.)..... | 1 | - | - |
| 2 | 00-719221 | Valve – Adjustable (With Split Stem)..... | 6 | 4 | 2 |
| *3 | - | Orifice | 6 | 4 | 2 |
| 4 | 00-719179 | Valve – Single Pilot..... | 3 | 2 | 1 |
| 5 | 00-921027-0000A | Manifold Weldment (24 In.)..... | - | 1 | - |
| 6 | 00-924005-0000A | Manifold Weldment (12 In.)..... | - | - | 1 |
| 7 | 00-925053 | Elbow | 1 | 1 | 1 |
| 8 | 00-929004 | Inlet Pipe..... | 1 | 1 | 1 |
| 9 | 00-921029-0000A | Manifold Weldment (36 In.)..... | 1 | - | - |
| 10 | FP-085-42 | Fitting ³ / ₈ x ⁷ / ₁₆ | 1 | 1 | 1 |
| 11 | 00-921009 | Saddle Clamp | AR | AR | AR |

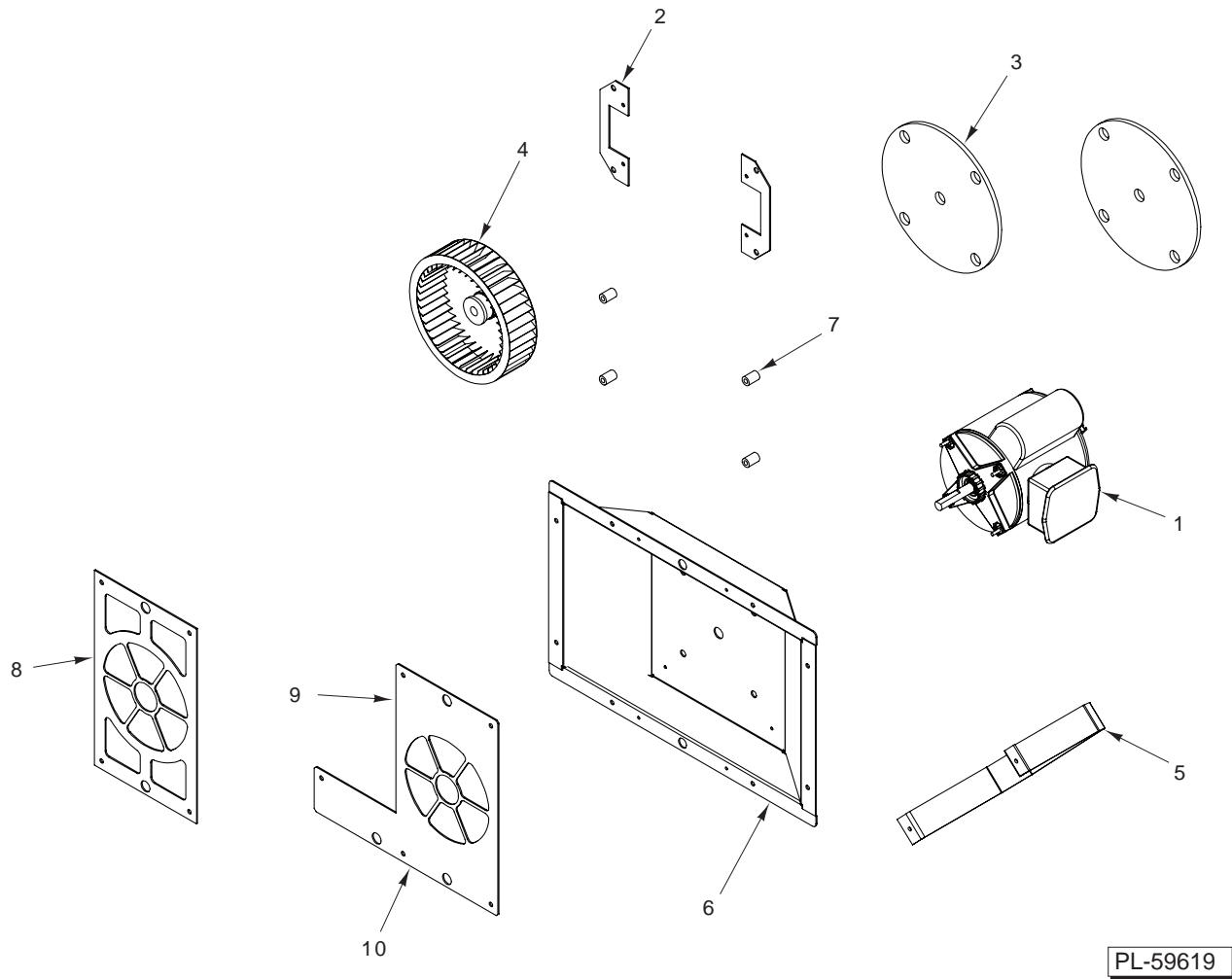
* See Orifice Chart on page 3.



PL-59618

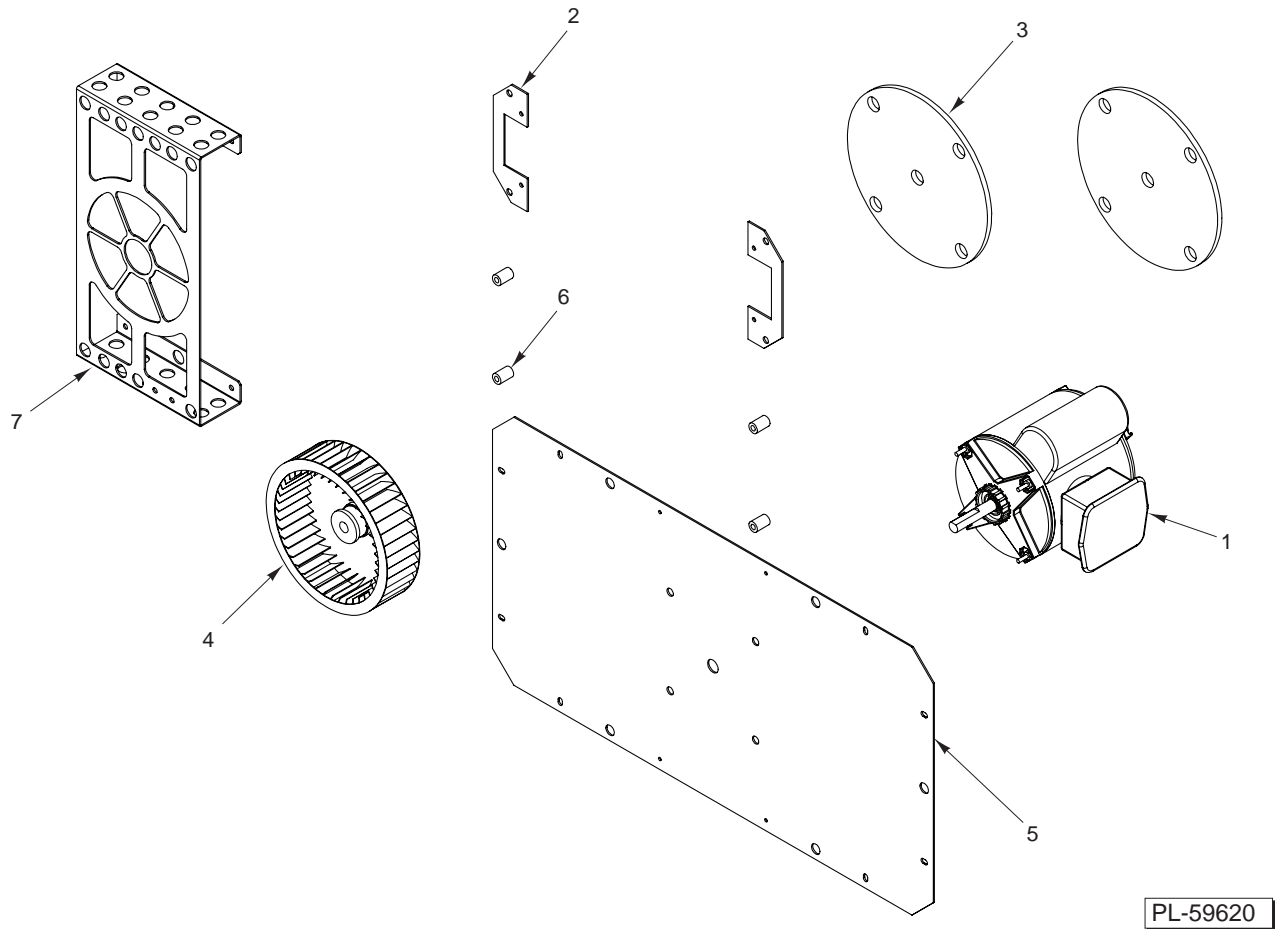
CONVECTION MOTOR ASSEMBLY (24 INCH UNIT)

| ILLUS. | PART NO. | NAME OF PART | AMT. |
|----------|-----------------|-----------------------------|------|
| PL-59618 | | | |
| 1 | 00-921459 | Motor Mount HB..... | 1 |
| 2 | 00-419730-00001 | Motor (1/8 Hp.) | 1 |
| 3 | 00-419719-00002 | Motor Mounting Bracket..... | 2 |
| 4 | 00-712380 | Spacer | 4 |
| 5 | 00-415780-00008 | Rotor Blower | 1 |
| 6 | 00-428898-00008 | Motor Insulation | 2 |
| 7 | 00-921465 | Guard - Motor..... | 1 |
| | 00-921093 | Guard - Motor Grease..... | 1 |
| | 00-921631 | Deflector - Air Flow..... | 1 |



CONVECTION MOTOR ASSEMBLY (30 INCH UNIT)

| ILLUS. | PART NO. | NAME OF PART | AMT. |
|----------|-----------------|--|------|
| PL-59619 | | | |
| 1 | 00-419730-00001 | Motor (1/8 Hp.) | 1 |
| 2 | 00-419719-00002 | Motor Mounting Bracket | 2 |
| 3 | 00-428898-00008 | Motor Insulation | 2 |
| 4 | 00-415780-00008 | Rotor Blower | 1 |
| 5 | 00-428347-00001 | Motor Guard | 1 |
| 6 | 00-921576 | Motor Mount HB (Dom: 05/05/2009 To 03/09/2010) | 1 |
| 7 | 00-712380 | Spacer | 4 |
| 8 | 00-921515 | Guard – Motor (Rev C, Dom: 05/05/2008 To 2/17/2009) | 1 |
| 9 | 00-921575 | Blower Cover HB (Rev B, Dom: 10/19/2009 To 01/27/2010) | 1 |
| 10 | 00-921575 | Blower Cover HB | 1 |



CONVECTION MOTOR ASSEMBLY (FB) (30 INCH UNIT)

| ILLUS. | PART NO. | NAME OF PART | AMT. |
|----------|-----------------|-----------------------------|------|
| PL-59620 | | | |
| 1 | 00-419730-00001 | Motor (1/8 Hp.) | 1 |
| 2 | 00-419719-00002 | Motor Mounting Bracket..... | 2 |
| 3 | 00-428898-00008 | Motor Insulation | 2 |
| 4 | 00-415780-00008 | Rotor Blower | 1 |
| 5 | 00-921640 | Motor Mount HB..... | 1 |
| 6 | 00-712380 | Spacer | 4 |
| 7 | 00-921658 | Blower Cover HB | 1 |
| | 00-921093 | Guard – Motor Grease..... | 1 |
| | 00-921631 | Deflector – Air Flow..... | 1 |

ACCESSORIES FOR STEP-UP BURNERS

| PART NO. | NAME OF PART | AMT. |
|---|---|------|
| ML Step-Up (12 In.) (Vulcan) | | |
| 00-719237 | Nut ³ / ₁₆ Alpha Brass (P/N A64009) | 1 |
| 00-730228 | Self-Tapping Screw 10-24 x ¹ / ₂ (Reviewed DWM 8/26/08) | 6 |
| 00-921298 | Grate Stop | 1 |
| 00-921329-0000A | Rear Frame – Step-Up (36 In.) | 1 |
| 00-921330 | Burner Head – Step-Up | 1 |
| 00-921382 | Bracket – Pilot Step-Up | 1 |
| 00-921419-0000A | Pilot Tube Assy. – Step-Up | 1 |
| 00-413302-00001 | Clip Pilot Mounting | 2 |
| 00-719243 | Brass Sleeve (³ / ₁₆) | 1 |
| ML-137209-00HTV Hot Top Module (12 In.) (Vulcan) | | |
| 00-921416 | I & O Manual Supplement Sheet | 1 |
| 00-924002-0000A | Frame Assy. (12 In.) | 1 |
| 00-924005-0000A | Manifold Weldment (12 In.) | 1 |
| 00-924008 | Manifold Cover (12 In.) | 1 |
| 00-924019 | Burner Support (12 In.) | 1 |
| 00-924020-0000A | Burner – Griddle (12 In.) | 1 |
| 00-924028 | Heat Shield – Griddle (12 In.) | 1 |
| 00-925015 | Crumb Tray Guide (CHR XL) | 2 |
| 00-927011 | Knob – Griddle XL | 1 |
| 00-404193-00001 | Valve ¹ / ₈ x ¹ / ₄ 90 Deg. (Pilot Adjustment Valve, 260 Broiler) (Reviewed DM 10/7/08) (Adjustable Pilot Valve For 260 Endurance & MSA Griddle) | 1 |
| 00-428915-00001 | Pilot Tube Assy. Griddle (T3-BZ001-10) | 1 |
| 00-497240-00001 | Valve – Griddle Burner | 1 |
| 00-497246-00001 | Knob – Griddle | 1 |
| ML-137210-0001V Hot Top Module (24 In.) (Vulcan) | | |
| 00-426505-00012 | Tube – Flex (¹ / ₄ x 12 In.) | 1 |
| 00-921074 | Flash Tube (24 In. Griddle) | 1 |
| 00-921075 | Bracket – Griddle Pilot (24 In.) | 1 |
| 00-921416 | I & O Manual Supplement Sheet | 1 |
| 00-924024-0000A | Manifold Pipe Assy. | 1 |
| 00-924502-0000A | Weldment – Frame Assy. (24 In.) | 1 |
| 00-924503 | Burner Support (24 In.) | 2 |
| 00-924510-0000A | Weldment – Crumb Tray (24 In.) | 1 |
| 00-924514 | Cover – Manifold (24 In.) | 1 |
| 00-925015 | Crumb Tray Guide (CHR XL) | 2 |
| 00-926509-0000A | Burner – Griddle | 2 |
| 00-926518 | Heat Shield – Griddle (24 In.) | 1 |
| 00-497246-00001 | Knob – Griddle | 2 |
| ML-137211-00HTV Hot Top Module (36 In.) (Vulcan) | | |
| 00-426505-00012 | Tube – Flex (¹ / ₄ x 12 In.) | 1 |
| 00-719179 | Valve – Single Pilot (Reviewed DWM 9/3/08) | 2 |
| 00-730228 | Self-Tapping Screw 10-24 x ¹ / ₂ (Reviewed DWM 8/26/08) | 5 |
| 00-921029-0000A | Weldment – Manifold (36 In.) | 1 |
| 00-921034 | Manifold Cover (36 In.) (CHR XL) | 1 |
| 00-921074 | Flash Tube – Griddle (24 In.) | 2 |
| 00-921075 | Bracket – Griddle Pilot (24 In.) | 2 |
| 00-921416 | I & O Manual Supplement Sheet | 1 |
| 00-925003-0000A | Top Frame Assy. (36 In.) (CHR XL) | 1 |
| 00-925013 | Griddle Burner Support (36 In.) | 2 |
| 00-925015 | Crumb Tray Guide (CHR XL) | 2 |
| 00-926504 | Heat Shield (36 In.) | 1 |
| 00-926509-0000A | Burner – Griddle | 3 |
| 00-926523 | Extension (2.13 Orifice) | 3 |
| 00-497240-00001 | Valve – Griddle Burner | 3 |
| 00-497246-00001 | Knob – Griddle | 3 |
| ML-137251-000HT Hot Tops | | |
| 00-925057 | Hot Top – Front | 1 |
| 00-925058 | Hot Top – Rear | 1 |