

Direct Drive Roof Exhausters

RB SERIES

Sturdy constructed direct drive roof exhausters ideal for industrial & commercial applications.



FEATURES

FEATURES

- TEFC, ball bearing motor, maximum ambient temperature 40° C (104° F).
- Heavy duty galvanized blades.
- Galvanized steel wind-band and rain-proof butterfly dampers that rotate easily on brass bushings.
- Cast iron pillow block bearings.
- Heavy duty pulleys and belts.
- Not recommended for dirty or dust laden applications.

Roof Exhausters are non-stock items and are non-cancelable and non-refundable without prior authorization.

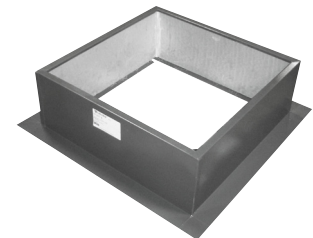


DISCONNECT SWITCHES

- Wire disconnect switches are available.

ACCESSORIES

RC ROOF CURB



- For Canarm Roof Exhaust fans.
- Sturdy powder coated, 16 gauge steel.
 - 3" flanges
 - 1" SM insulation
 - Damper shelf

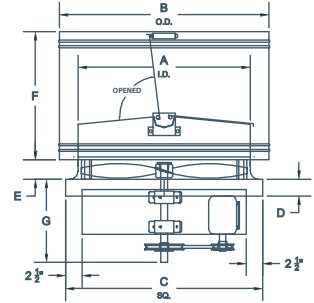
FAN SIZE	MODEL
18"	RC18
24"	RC24
30"	RC30
36"	RC36
42"	RC42
48"	RC48
54"	RC54
60"	RC60

RB SERIES

Direct Drive Roof Exhausters

DIMENSIONS

MODEL #	A Dia.	B Dia.	C Sq.	D	E	F	G (MAX.)
RB24	25"	31 1/2"	29 1/2"	3"	4"	19"	18 1/2"
RB30	31"	36 1/2"	35 1/2"	3"	4"	22"	18 1/2"
RB36	37"	43 1/2"	41 1/2"	3"	4"	25"	18 1/2"
RB42	43"	49 1/2"	47 1/2"	3"	4"	27"	18 1/2"
RB48	49"	55 1/2"	53 1/2"	3"	4"	30"	18 1/2"
RB54	55"	61 1/2"	59 1/2"	3"	4"	36"	21"
RB60	61"	70"	68"	2"	5"	42"	21"

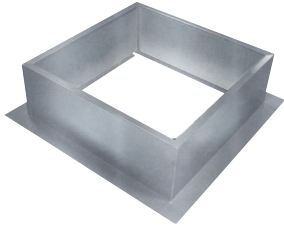


PERFORMANCE SPECIFICATIONS

BLADE DIAMETER	MODEL #		0" SP				1/8" SP				1/4" SP				3/8" SP				DbA @ 5 Ft.	
	SINGLE PHASE	RPM	HP	CFM	BHP	FEI	FEPact (kW)	CFM	BHP	FEI	FEPact (kW)	CFM	BHP	FEI	FEPact (kW)	CFM	BHP	FEI		FEPact (kW)
24"	RB24T10075	1090	3/4	4495	0.48	-	-	3715	0.49	-	-	2813	0.52	-	-	2407	0.6	-	-	72
	RB24T10100	1190	1	4864	0.62	0.88	0.64	4192	0.64	0.96	0.66	3316	0.65	0.94	0.67	2821	0.73	0.87	0.74	74
	RB24T10150	1370	1.5	5643	0.95	0.69	0.93	5019	0.97	0.77	0.95	4342	0.97	0.83	0.95	3628	1.02	0.80	0.99	78
	RB24T10200	1510	2	6176	1.27	0.57	1.22	5610	1.3	0.65	1.24	5094	1.29	0.73	1.23	4379	1.31	0.74	1.25	81
	RB30T10075	875	3/4	7216	0.55	-	-	5812	0.59	-	-	4514	0.65	-	-	-	-	-	-	71
	RB30T10100	965	1	7944	0.74	1.14	0.75	6798	0.79	1.20	0.79	5285	0.81	1.15	0.81	4594	0.94	0.58	0.92	73
	RB30T10150	1005	1.5	8278	0.84	1.06	0.84	7204	0.89	1.14	0.88	5649	0.89	1.12	0.88	4970	1.04	1.02	1.02	78
	RB30T10200	1220	2	10047	1.49	0.75	1.41	9284	1.57	0.85	1.48	7983	1.59	0.89	1.49	6798	1.6	0.91	1.50	82
	RB30T10300	1405	3	11595	2.27	0.58	2.08	10961	2.37	0.67	2.16	10004	2.4	0.75	2.19	8643	2.35	0.79	2.14	85
	RB36T10100	660	1	10325	0.81	1.33	0.81	8292	0.86	1.33	0.85	5910	0.91	1.14	0.90	-	-	-	-	72
	RB36T10150	750	1.5	11676	1.21	1.03	1.17	10087	1.27	1.11	1.22	7474	1.24	1.06	1.19	6271	1.42	0.94	1.35	75
	RB36T10200	835	2	13050	1.66	0.85	1.55	11641	1.74	0.95	1.62	9274	1.63	1.00	1.53	7756	1.81	0.91	1.68	78
	RB36T10300	940	3	14741	2.37	0.69	2.16	13498	2.47	0.78	2.25	11866	2.48	0.84	2.26	9718	2.4	0.86	2.19	83
	RB42T10200	685	2	15667	1.36	1.21	1.30	14022	1.47	1.31	1.39	11162	1.48	1.29	1.40	9472	1.67	1.17	1.56	78
	RB42T10300	780	3	17902	2.05	0.94	1.89	16542	2.15	1.07	1.97	14447	2.19	1.14	2.01	12102	2.27	1.10	2.08	83
	RB42T10500	925	5	21259	3.4	0.68	3.03	20181	3.54	0.81	3.15	18555	3.63	0.89	3.23	16604	3.65	0.94	3.24	88
	RB42T10750	1080	7.5	24791	5.29	0.52	4.62	23968	5.57	0.62	4.85	22602	5.61	0.71	4.88	21241	5.71	0.78	4.97	91
	RB54T10300	530	3	27360	2.34	1.22	2.14	24351	2.56	1.30	2.32	19239	2.49	1.31	2.26	13859	2.59	1.10	2.35	79
	RB54T10500	625	5	32395	3.8	0.91	3.37	29832	4.12	1.01	3.64	26595	4.19	1.09	3.70	21559	4.03	1.10	3.56	84
	RB54T10750	720	7.5	37470	5.9	0.68	5.13	35201	6.22	0.79	5.39	32688	6.4	0.88	5.54	29603	6.48	0.94	5.61	88
	RB54T11000	795	10	41304	7.92	0.57	6.80	39385	8.32	0.67	7.14	36962	8.51	0.75	7.29	34754	8.6	0.83	7.37	91
	RB60T10500	520	5	38766	4	1.02	3.54	34855	4.34	1.11	3.82	29850	4.39	1.16	3.86	24111	4.47	1.10	3.93	72
	RB60T10750	595	7.5	44002	6	0.78	5.21	41080	6.44	0.89	5.58	37189	6.65	0.96	5.75	31006	6.28	1.01	5.44	87
	RB60T11000	650	10	48444	7.87	0.66	6.76	45444	8.29	0.77	7.11	42039	8.55	0.85	7.33	38226	8.65	0.91	7.41	89
54"	MODEL #			0" SP				1/8" SP				1/4" SP				3/8" SP				dBa @ 5 Ft.
	THREE PHASE	RPM	HP	CFM	BHP	FEI	FEPact (kW)	CFM	BHP	FEI	FEPact (kW)	CFM	BHP	FEI	FEPact (kW)	CFM	BHP	FEI	FEPact (kW)	
	RB24T30075*	1090	3/4	4495	0.48	-	-	3715	0.49	-	-	2813	0.52	-	-	2407	0.6	-	-	72
	RB24T30100*	1190	1	4864	0.62	0.92	0.62	4192	0.64	1.00	0.63	3316	0.65	0.98	0.64	2821	0.73	0.90	0.71	74
	RB24T30150*	1370	1.5	5643	0.95	0.70	0.92	5019	0.97	0.79	0.93	4342	0.97	0.84	0.93	3628	1.02	0.81	0.98	78
	RB24T30200*	1510	2	6176	1.27	0.57	1.22	5610	1.3	0.65	1.24	5094	1.29	0.73	1.23	4379	1.31	0.74	1.25	81
	RB30T30075*	875	3/4	7216	0.55	-	-	5812	0.59	-	-	4514	0.65	-	-	-	-	-	-	71
	RB30T30100*	965	1	7944	0.74	1.18	0.72	6798	0.79	1.24	0.77	5285	0.81	1.18	0.78	4594	0.94	1.07	0.9	73
	RB30T30150*	1005	1.5	8278	0.84	1.08	0.82	7204	0.89	1.16	0.87	5649	0.89	1.14	0.87	4970	1.04	1.04	1.00	78
	RB30T30200*	1220	2	10047	1.49	0.75	1.41	9284	1.57	0.85	1.48	7983	1.59	0.89	1.50	6798	1.6	0.90	1.50	82
	RB30T30300*	1405	3	11595	2.27	0.59	2.04	10961	2.37	0.68	2.13	10004	2.4	0.76	2.15	8643	2.35	0.80	2.11	85
	RB36T30100*	660	1	10325	0.81	1.37	0.78	8292	0.86	1.36	0.83	5910	0.91	1.17	0.87	-	-	-	-	72
	RB36T30150*	750	1.5	11676	1.21	1.05	1.15	10087	1.27	1.13	1.20	7474	1.24	1.07	1.18	6271	1.42	0.95	1.34	75
	RB36T30200*	835	2	13050	1.66	0.85	1.56	11641	1.74	0.94	1.63	9274	1.63	1.00	1.53	7756	1.81	0.90	1.69	78
	RB36T30300*	940	3	14741	2.37	0.70	2.13	13498	2.47	0.79	2.21	11866	2.48	0.86	2.22	9718	2.4	0.87	2.15	83
	RB42T30200*	685	2	15667	1.36	1.21	1.29	14022	1.47	1.31	1.39	11162	1.48	1.29	1.40	9472	1.67	1.17	1.57	78
	RB42T30300*	780	3	17902	2.05	0.95	1.85	16542	2.15	1.09	1.94	14447	2.19	1.16	1.97	12102	2.27	1.12	2.04	83
	RB42T30500*	925	5	21259	3.4	0.69	3.01	20181	3.54	0.81	3.13	18555	3.63	0.90	3.21	16604	3.65	0.95	3.22	88
	RB42T30750*	1080	7.5	24791	5.29	0.53	4.53	23968	5.57	0.63	4.77	22602	5.61	0.72	4.80	21241	5.71	0.79	4.89	91
	RB54T30300*	530	3	27360	2.34	1.24	2.10	24351	2.56	1.32	2.29	19239	2.49	1.33	2.23	13859	2.59	1.12	2.32	79
	RB54T30500*	625	5	32395	3.8	0.91	3.35	29832	4.12	1.01	3.64	26595	4.19	1.09	3.70	21559	4.03	1.10	3.56	84
	RB54T30750*	720	7.5	37470	5.9	0.69	5.05	35201	6.22	0.80	5.32	32688	6.4	0.89	5.48	29603	6.48	0.95	5.55	88
	RB54T31000*	795	10	41304	7.92	0.57	6.77	39385	8.32	0.67	7.11	36962	8.51	0.76	7.27	34754	8.6	0.84	7.35	91
	RB60T30500*	520	5	38766	4	1.03	3.53	34855	4.34	1.11	3.83	29850	4.39	1.16	3.88	24111	4.47	1.10	3.95	72
RB60T30750*	595	7.5	44002	6	0.80	5.13	41080	6.44	0.90	5.52	37189	6.65	0.97	5.70	31006	6.28	1.03	5.38	87	
RB60T31000*	650	10	48444	7.87	0.67	6.73	45444	8.29	0.77	7.08	42039	8.55	0.85	7.31	38226	8.65	0.91	7.39	89	
RB60T31500*	745	15	55411	11.8	0.51	9.97	52997	12.36	0.61	10.44	49981	12.61	0.69	10.66	47117	12.97	0.75	10.96	92	

Options & Accessories Roof Curbs

NON-VENTED FOR 300, 700, SIS, ALX, SB-SBRM & SD-SDUB SERIES



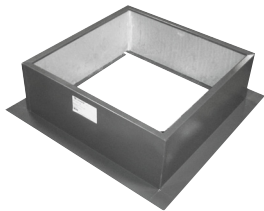
RCG ROOF CURB

- RCG are 18" high, RCGL are 12" high
- 18 gauge galvanized steel construction
- 1 3/4" flanges
- Insulated curbs available (RCGI or RCGLI)
- Shipped fully assembled

Please note Galvanized Curbs (RCG's) are for UL705 only. For UL762 the curb must be vented and be a minimum of 40" from roof to outlet - use RCGV curbs (below)

Part # (Non-Insulated)	Part # (Insulated)	Curb OD Dimension sq	Curb fits Models
RCG17.5 / RCGL17.5	RCGI17.5 / RCGLI17.5	17.5"	ALX105, ALX120, SD-SDUB-10, SD-SDUB-12
RCG18.5 / RCGL18.5	RCGI18.5 / RCGLI18.5	18.5"	307
RCG19.5 / RCGL19.5	RCGI19.5 / RCGLI19.5	19.5"	ALX135, ALX150, SB-SBRM-13, SD-SDUB-30, SD-SDUB-33, SD-SDUB-50, ALX105-C2, ALX120-C2
RCG22.5 / RCGL22.5	RCGI22.5 / RCGLI22.5	22.5"	309,709,SIS-09
RCG23.25 / RCGL23.25	RCGI23.25 / RCGLI23.25	23.25"	ALX165, SB-SBRM-15, SD-SDUB-85, ALX135-C2, ALX150-C2, ALX180-C2
RCG26.5 / RCGL26.5	RCGI26.5 / RCGLI26.5	26.5"	ALX180, SIS-10, SB-SBRM-18, ALX165-C2
RCG30.5 / RCGL30.5	RCGI30.5 / RCGLI30.5	30.5"	312,712,715, SIS-12, SIG-12, SIG-15
RCG31.5 / RCGL31.5	RCGI31.5 / RCGLI31.5	31.5"	ALX210, ALX245, SB-SBRM-24
RCG34.5 / RCGL34.5	RCGI34.5 / RCGLI34.5	34.5"	315,718,SIS-15,SIS-18
RCG38.5 / RCGL38.5	RCGI38.5 / RCGLI38.5	38.5"	318, SB-SBRM-30, ALX210-C2, ALX245-C2, ALX300
RCG42.5 / RCGL42.5	RCGI42.5 / RCGLI42.5	42.5"	SIS-20, ALX360, SB-SBRM36

NON-VENTED FOR RTA, RB & RD SERIES



- 16 gauge galvanized or painted steel construction
- RC are insulated, painted, with 3" flanges and damper shelf
- RCG are non-insulated, galvanized, with 1 3/4" flanges
- RCGI are insulated, galvanized, with 1 3/4" flanges
- All are 10 1/4" high
- Shipped fully assembled

ROOF CURBS FOR RTA, RB & RD SERIES (Non-vented) 10 1/4" High				
Part # Painted	Part # Galv (Non-Insulated)	Part # Galv (Insulated)	Curb OD Dimension sq	Curb fits Models
RC18	RCG21.625	RCGI21.625	21.6"	RTA18
RC24	RCG29.125	RCGI29.125	29.1"	RTA-RB-RD24
RC30	RCG35.125	RCGI35.125	35.1"	RTA-RB-RD30
RC36	RCG41.125	RCGI41.125	41.1"	RTA-RB-RD36
RC42	RCG47.125	RCGI47.125	47.1"	RTA-RB-RD42-RTASH
RC48	RCG53.125	RCGI53.125	53.1"	RTA-RB-RD48-RTASH
RC54	RCG59.125	RCGI59.125	59.1"	RTA-RB54-RTASH
RC60	RCG67.125	RCGI67.125	67.1"	RTA-RB60

VENTED FOR ALX, SB-SBRM & SD-SDUB SERIES



RCGV ROOF CURB

- UL762 requires vents and minimum 40" from roof to outlet
- Curb height varies to meet UL762 (see table)
- RCGV are 18" high, RCGVL are 12" high
- RCGVH vary to meet UL762
- 18 gauge galvanized steel construction
- 1 3/4" flanges
- Non-insulated & shipped fully assembled

Part #	Part #	UL762 Curb Height	Curb OD Dimension sq	Curb Fits Models
Vented 18" high (RCGV) Vented 12" high (RCGVL)	To Meet UL762			
RCGV17.5 / RCGVL17.5	RCGVH17.5	27"	17.5"	ALX105, ALX120, SD-SDUB-10, SD-SDUB-12
RCGV19.5 / RCGVL19.5	RCGVH19.5	25"	19.5"	ALX135, ALX150, SB-SBRM-13, SD-SDUB-30, SD-SDUB-33, SD-SDUB-50, HRE-13, ALX105-C2, ALX105-C2
RCGV23.25 / RCGVL23.25	RCGV23.25	18"	23.25"	ALX165, SB-SBRM-15, SD-SDUB-85, HRE-16, ALX135-C2, ALX150-C2, ALX180-C2
RCGV26.5 / RCGVL26.5	RCGV26.5	18"	26.5"	ALX180, SB-SBRM-18, HRE-20, ALX165-C2
RCGV31.5 / RCGVL31.5	RCGV31.5	18"	31.5"	ALX210, ALX245, SB-SBRM-24, HRE-24
RCGV38.5 / RCGVL38.5	RCGV38.5	18"	38.5"	SB-SBRM-30, ALX210-C2, ALX245-C2, ALX300

Options & Accessories Disconnect Switches



**EL1/3-25A
MOISTURE RESISTANT SWITCH**

Single or Three Phase
Moisture resistant, IP65
25 Amps, 3 Poles

HP Ratings
120V AC - 3hp
240V AC - 7.5hp
480V AC - 15hp
600V AC - 20hp



**DS1/3-30A
DISCONNECT SWITCH**

Single or Three Phase
Disconnect NEMA 3R (3030D)
30 Amps, 3 Poles

HP Ratings
120V AC - 3hp
240V AC - 7.5hp
480V AC - 15hp
600V AC - 20hp



**KG1-2P1PH
TOGGLE SWITCH**

Single Phase, Non-reversing,
toggle operation NEMA 1
(2510KG1)
30 Amps, 2 Poles

HP Ratings
120V AC - 2hp
240V AC - 2hp
480V AC - 2hp



**8890-5426-1
TOGGLE SWITCH WITH PILOT LIGHT**

15 Amps, 2 Poles

HP Ratings
120V AC - 0.5hp



**8890-54522-W
TOGGLE SWITCH**

20 Amps, 2 Poles

HP Ratings
120V AC - 1hp
240V AC - 2hp



**8890-MS403
TOGGLE SWITCH**

40 Amps, 3 Poles

HP Ratings
120V AC - 7.5hp
240V AC - 15hp
480V AC - 20hp
600V AC - 40hp



**8890-N13NC
SWITCH ENCLOSURE
WITH LOCKOUT**

NEMA 1 Steel switch