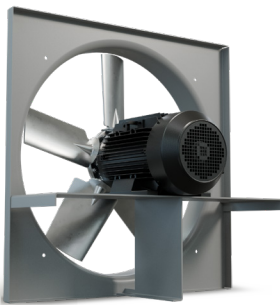


Heavy Duty Direct Drive Wall Exhaust Fans

ADD SERIES

Designed for heavy duty, commercial and industrial exhaust applications.



These fans are typically used for high volume, high static pressure applications. The series ADD is designed and constructed for efficient & economical operations and is direct drive, therefore requiring little or no maintenance. Heavy duty cast aluminum airfoil or polyamide glass reinforced (PAG) blades are standard to ADD series fans providing maximum performance at low sound levels.

Applications include factories, warehouses, gymnasiums, underground parking garages, etc.

This fan is used for exhaust applications. Please consult factory for supply applications.

FEATURES

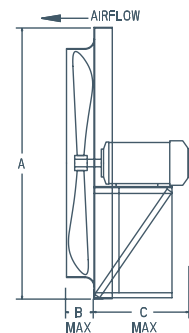
- Heavy gauge steel fan panel with deep spun and flared venturi for maximum efficiency.
- Heavy gauge welded steel motor supports.
- Cast aluminum airfoil or polyamide glass reinforced (PAG) blades.
- TEFC motors are standard.



Reversing blades available on 30", 36", 42" and 48" models. Please consult factory for details. Reversing fan with cabinet will be a steel control damper.

DIMENSIONS

MODEL	BLADE DIAMETER	A X A SQUARE	B	C (DIRECT DRIVE MOTOR FRAME)		
				56 - 184	213 - 215	254 - 286
ADD12	12"	16.125"	2.0"	13"	--	--
ADD14	14"	18.125"	2.5"	13"	--	--
ADD16	16"	20.125"	3.0"	13"	--	--
ADD18	18"	22.125"	3.0"	13"	--	--
ADD20	20"	24.125"	3.5"	13"	--	--
ADD24	24"	29.625"	4.0"	13"	14"	--
ADD30	30"	35.625"	4.5"	13"	14"	25"
ADD36	36"	41.625"	5.0"	13"	14"	25"
ADD42	42"	47.625"	5.0"	13"	14"	25"
ADD48	48"	53.625"	5.0"	--	14"	25"



OPTIONS



For fan complete with cabinet/guard and shutter, substitute "T" with CBS



For fan complete with front sleeve and shutter, substitute "T" with SLS



For fan with rear sleeve and back guard, substitute "T" with SLB

Options & Accessories for Standard Wall Exhaust Fans

CABINET, BACK GUARD & SHUTTER (CBS)



FRONT GUARDS

Front guards available, consult factory.

Wire mesh not available on all sizes.



FRONT SLEEVE & SHUTTER (SLS)

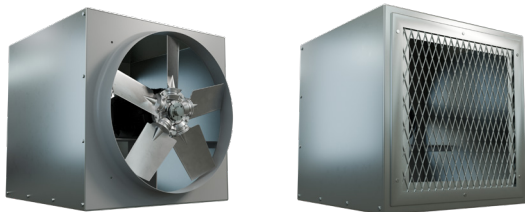


STEEL CONTROL & MOTORIZED CONTROL DAMPERS

Motorized steel control dampers can be mounted in fan cabinet or sleeve in either exhaust or intake applications. Consult factory.



REAR SLEEVE & BACK GUARD (SLB)



SPECIAL COATING

For most applications, Canarm's standard enamel paint will provide the necessary surface protection for painted parts. For special requirements, coatings such as hot dipped galvanizing and epoxy, please consult factory.

DISCONNECT SWITCHES

Wire disconnect switches are available.

MOTOR OPTIONS

TWO SPEED MOTOR

Two speed motors are available for some of Canarm's exhaust fans. 1800/1200 or 1800/900 RPM variable torque, single and three phase. Consult factory for available voltages and configurations.



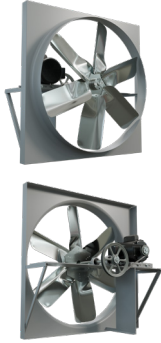
Explosion Proof MOTORS (direct drive only)

Some of Canarm exhaust fans can be equipped with Explosion Proof Motors for hazardous locations. Class I, Groups C & D - Class II, Groups F & G. Consult factory for models.

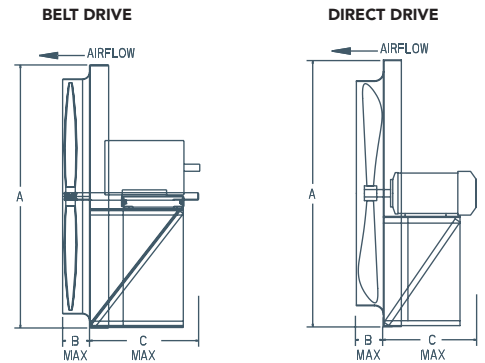
Class I, Group C	Atmospheres containing ethyl ether, ethylene, gases or vapors of equivalent hazard.
Class I, Group D	Atmospheres such as acetone, ammonia, benzene, butane, cyclopropane, ethanol, gasoline, hexane, methane, natural gas, naphtha, propane, or gasses or vapors of equivalent hazard.
Class II Group F	Atmospheres containing carbonaceous dust, including carbon black, charcoal, coal, or coke dusts that have more than 8% total entrapped volatiles, or dusts that have been sensitized by other materials so that they present an explosion hazard.
Class II Group G	Atmospheres containing combustible dusts not included in group E or F, including flour, grain, wood, plastic and chemicals.

Options & Accessories for Standard Wall Exhaust Fans

VENTURI



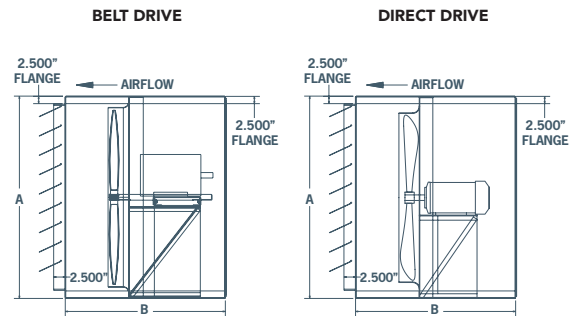
BLADE DIAMETER	A X A SQUARE	B	C					
			BELT DRIVE MOTOR FRAME		DIRECT DRIVE MOTOR FRAME			
			56 - 184	213 - 286	56 - 184	213 - 215	254 - 286	
12"	16.125"	2.0"	--	--	13"	--	--	
14"	18.125"	2.5"	--	--	13"	--	--	
16"	20.125"	3.0"	--	--	13"	--	--	
18"	22.125"	3.0"	--	--	13"	--	--	
20"	24.125"	3.5"	--	--	13"	--	--	
24"	29.625"	4.0"	18"	--	13"	14"	--	
30"	35.625"	4.5"	18"	--	13"	14"	25"	
36"	41.625"	5.0"	18"	28"	13"	14"	25"	
42"	47.625"	5.0"	18"	28"	13"	14"	25"	
48"	53.625"	5.0"	18"	28"	--	14"	25"	
54"	59.657"	5.5"	18"	28"	--	--	--	
60"	67.657"	6.0"	18"	28"	--	--	--	



CABINET, BACK GUARD & SHUTTER (CBS)



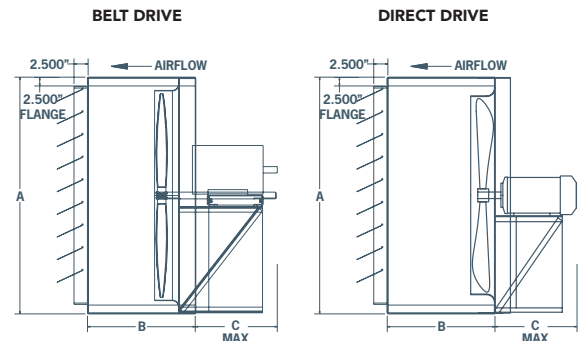
BLADE DIAMETER	A X A SQUARE	B	C					
			BELT DRIVE MOTOR FRAME		DIRECT DRIVE MOTOR FRAME			
			56 - 184	213 - 286	56 - 184	213 - 215	254 - 286	
12"	16.375"	--	--	--	26"	--	--	
14"	18.375"	--	--	--	26"	--	--	
16"	20.375"	--	--	--	26"	--	--	
18"	22.375"	--	--	--	26"	--	--	
20"	24.375"	--	--	--	26"	--	--	
24"	29.875"	33"	--	33"	33"	--	--	
30"	35.875"	33"	--	33"	33"	43"	--	
36"	41.875"	33"	43"	33"	33"	33"	43"	
42"	47.875"	33"	43"	33"	33"	33"	43"	
48"	53.875"	33"	43"	--	33"	33"	43"	
54"	59.9375"	33"	43"	--	--	--	--	
60"	67.9375"	33"	43"	--	--	--	--	



FRONT SLEEVE & SHUTTER (SLS)



BLADE DIAMETER	A X A SQUARE	B	C					
			BELT DRIVE MOTOR FRAME		DIRECT DRIVE MOTOR FRAME			
			56 - 184	213 - 286	56 - 184	213 - 215	254 - 286	
12"	16.375"	15.0"	--	--	12"	--	--	
14"	18.375"	15.0"	--	--	12"	--	--	
16"	20.375"	15.0"	--	--	12"	--	--	
18"	22.375"	15.0"	--	--	12"	--	--	
20"	24.375"	15.0"	--	--	12"	--	--	
24"	29.875"	19.0"	15"	--	10"	11"	--	
30"	35.875"	19.0"	15"	--	10"	11"	22"	
36"	41.875"	19.0"	15"	25"	10"	11"	22"	
42"	47.875"	19.0"	15"	25"	10"	11"	22"	
48"	53.875"	19.0"	15"	25"	--	11"	22"	
54"	59.9375"	19.0"	15"	25"	--	--	--	
60"	67.9375"	19.0"	15"	25"	--	--	--	



REAR SLEEVE & BACK GUARD (SLB)



BLADE DIAMETER	A X A SQUARE	B	C					
			BELT DRIVE MOTOR FRAME		DIRECT DRIVE MOTOR FRAME			
			56 - 184	213 - 286	56 - 184	213 - 215	254 - 286	
12"	16.375"	2.0"	--	--	15"	--	--	
14"	18.375"	2.5"	--	--	15"	--	--	
16"	20.375"	3.0"	--	--	15"	--	--	
18"	22.375"	3.0"	--	--	15"	--	--	
20"	24.375"	3.5"	--	--	15"	--	--	
24"	29.875"	4.0"	19"	--	19"	19"	--	
30"	35.875"	4.5"	19"	--	19"	19"	29"	
36"	41.875"	5.0"	19"	29"	19"	19"	29"	
42"	47.875"	5.0"	19"	29"	19"	19"	29"	
48"	53.875"	5.0"	19"	29"	--	19"	29"	
54"	59.9375"	5.5"	19"	29"	--	--	--	
60"	67.9375"	6.0"	19"	29"	--	--	--	

