

OWNER'S MANUAL

Model ADC33 Adjustable Dish Caddy

Table of Contents

1. Introduction	2
2. Parts Identification and Column Adjustment Instructions	
A. Parts Identification	2
B. ADC33 Column Adjustment Instructions.....	2
3. Maintenance and Cleaning	
A. Safety Warnings: Tips for Ensuring Years of Safe Use.....	2
B. Cleaning Instructions	2
C. Caster Maintenance.....	2
4. Warranty.....	3
5. Replacement Parts.....	3
6. ADC33 Adjustable Dish Caddy Perspective Views.....	3
7. Sample Plate Configuration for ADC33 Adjustable Dish Caddy.....	4



ADC33



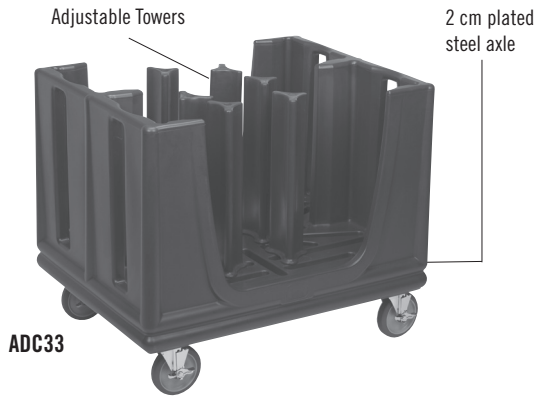
1. Introduction

Congratulations on the purchase of your new Cambro Dish Caddy. This Owner's Manual provides you with a step-by-step guide to operating and maintaining your Dish Caddy.

If you have any further questions, please do not hesitate to contact your Cambro Sales Representative, visit our Web site at www.cambro.com or call our Customer Service Department. (See page 3.)

2. Parts Identification and Column Adjustment Instructions

A. Parts Identification



IMPORTANT: Read all instructions prior to use and save for future reference.

B. ADC33 Column Adjustment Instructions

To move adjustable columns for the ADC33 adjustable dish caddy:

1. Locate adjustment knobs on the bottom side of the ADC33 unit.
2. Loosen the adjustment knob for the tower(s) being moved.
3. Place the desired plate into the preferred location.
4. Adjust the tower(s) until the plate is held securely in place.
5. Re-tighten the adjustment knobs to hold the tower(s) in their new position.
6. If the tower is to be moved to a new slot, remove the adjustment knob and washer.
7. Remove the tower from its original slot and place it into the desired slot.
8. Replace the washer, followed by the adjustment knob onto the bottom portion of the tower.
9. Tighten the tower following steps 3–5.

3. Maintenance and Cleaning

A. Safety Warnings: Tips for Ensuring Years of Safe Use

To help protect your Cambro Dish Caddy and reduce risk of employee injuries:

WARNING! Using a dish caddy with one or more damaged casters may result in personal injury or property damage. **Never** use a caddy with caster damage. **Always** repair any damaged casters before returning caddy to service.

NOTICE: Placing your dish caddy against any direct heat source such as a hot oven or grill may cause irreparable damage to the caddy. Always keep the dish caddy at a safe distance from direct heat sources.

B. Cleaning

Schedule a thorough, regular cleaning and parts inspection of casters, axles and adjustable column hardware (adjustable models only). Check to make sure they are in good working condition and replace any damaged parts.

- Using a soft cloth or brush and a mild commercial cleaning detergent, clean all surfaces of the caddy. Sanitizing solutions are recommended. For adjustable models, remove adjustable columns for thorough cleaning and replace after drying.

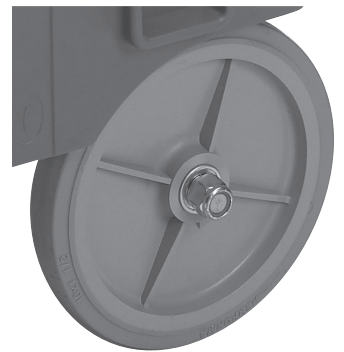
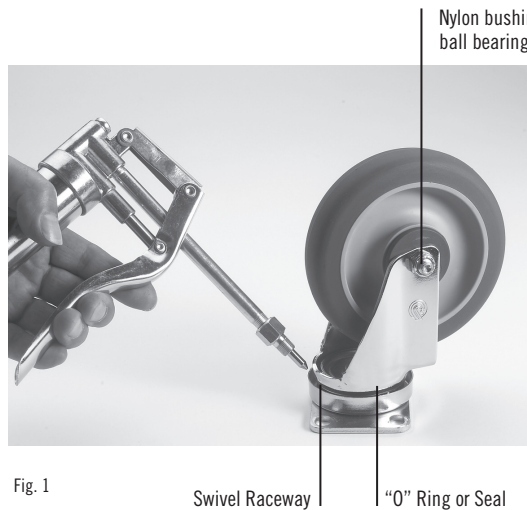
- **NOTICE:** Use of cleaners containing ammonia or bleach may discolor or damage the surface of the dish caddy. Abrasive pads or brushes made of steel or steel wool will damage the surface of the dish caddy. **DO NOT** use these items to clean this product.

- Rinse with clean hot water 21°C or hotter.
- Air dry whenever possible or wipe thoroughly with a dry, clean, soft cloth.

C. Caster Maintenance

Perform caster maintenance each time your Dish Caddy has been washed or steam cleaned.

1. Grease swivel raceway of caster using a lubricant such as Lubriplate #930-AA, Keystone #84EPXLT multi-purpose grease or equivalent. Apply grease using a grease gun with a needle nose adapter or a tube-type applicator such as Sta-lube Moly-graph Assembly Lube (Fig. 1). These can be obtained at most auto parts stores.
2. Use a light oil such as WD-40 on the hub (Fig. 2). Check caster for damage and test caster spin and swivel rotation before returning to service.



4. Warranty

Cambro warrants to the original buyer that if a product proves defective:

1. Within 1 year from the date of manufacture, Cambro will replace the product free of charge; or,
2. After 1 year and up to 2 years from the date of manufacture, Cambro will grant a credit of 2/3 off replacement product; or,
3. After 2 years and up to 3 years from the date of manufacture, Cambro will grant a credit of 1/3 of the original price towards a replacement product.

Improper product use, product abuse or failure to follow the care and usage instructions noted in this manual voids this warranty.

5. Replacement Parts & Customer Service Information

Please visit www.cambro.com for a complete list of replacement parts. The model number of the Dish Caddy is required to determine the correct replacement part. The model number can be found on the bottom of the unit.

CAMBRO U.S.A.
5801 Skylab Road
Huntington Beach, CA 92647
P.O. Box 2000
Huntington Beach, CA 92647-2000
TEL: (714) 848-1555
FAX: (714) 843-2630

C.E.L.
TEL: (31) 168 707 210
FAX: (31) 168 707 211

NORTH IRELAND & UK
TEL: 0800 587 0057 Toll Free
FAX: 0845 280 3411

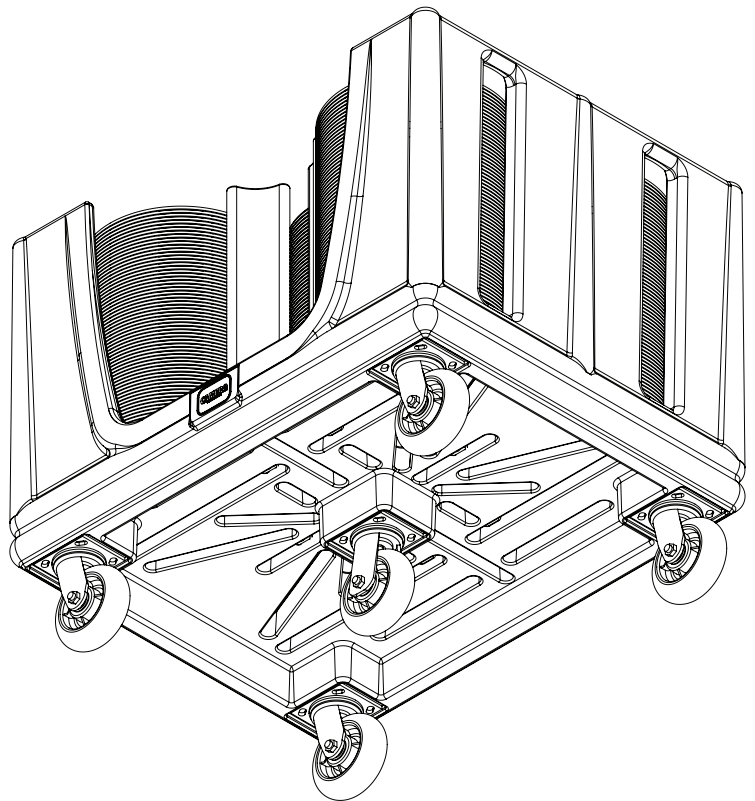
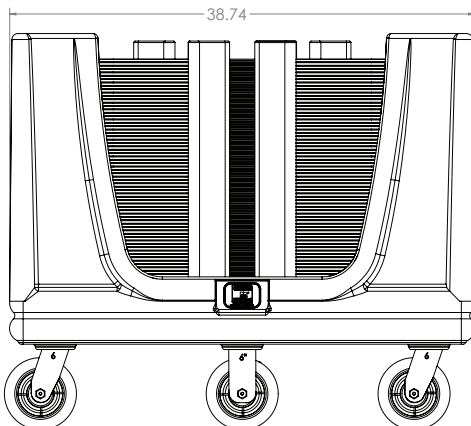
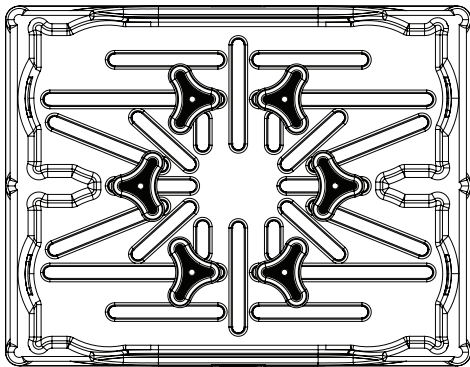
IRELAND
TEL: 1800 509 046 Toll Free
FAX: 01 633 55 76

CAMBRO-ÖZAY PLASTİK SAN.ve TİC.A.Ş
TEL: +90 262 7512940
FAX: +90 262 7511879

CAMBRO CHINA
TEL: 0752-2387033
FAX: 0752-2387019

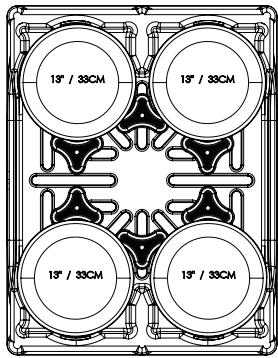
6. ADC33 Adjustable Dish Caddy Perspective Views

The ADC33 features four 15,24 cm swivel casters with brakes at each corner, and one rigid caster in the center of the unit which makes it easy to maneuver, even when the caddy is fully loaded!

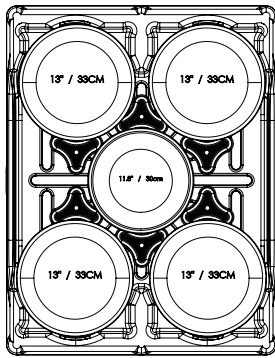


7. Sample Plate Configurations for ADC33 Adjustable Dish Caddy

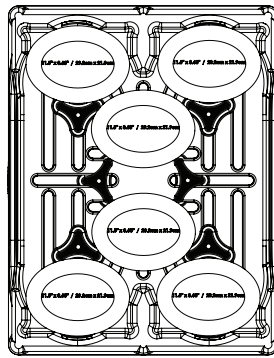
The versatile design allows many possible configurations for your dinnerware:
The approximate capacity is 45-60 plates/stack, depending on the brand.



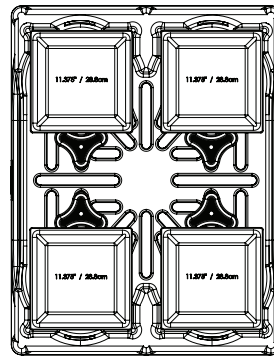
6 Dividers
4 stacks (11 to 33 cm) Rounds



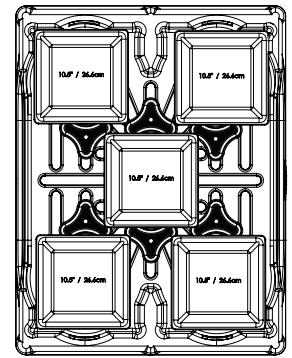
6 Dividers
4 stacks (11 to 33 cm) Rounds and
1 stack (17,55 to 30 cm) Rounds



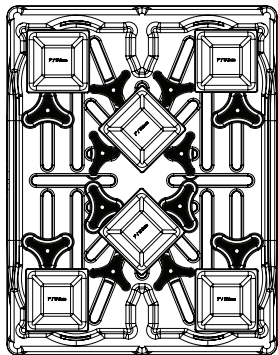
6 Dividers
6 stacks (20,3 to 29,2 cm x
12,7 to 21,9 cm) Ovals



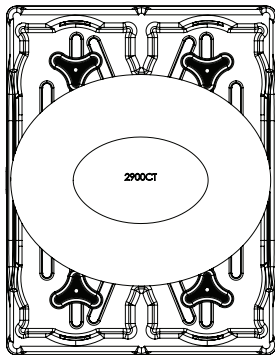
4 Dividers
4 stacks (25 to 28,8 cm) Squares



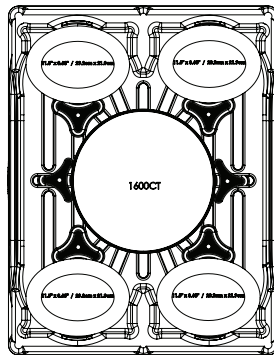
6 Dividers
5 stacks (24 to 27,9 cm) Squares



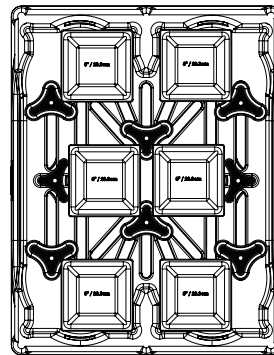
12 Dividers*
6 stacks (15,2 to 20,3 cm) Squares
or Rounds



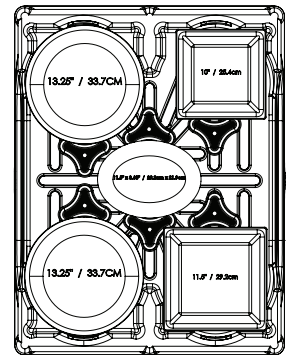
4 Dividers
1 stack (35 to 73,6 cm Long) and
up to (59,9 cm Wide) Oval Trays



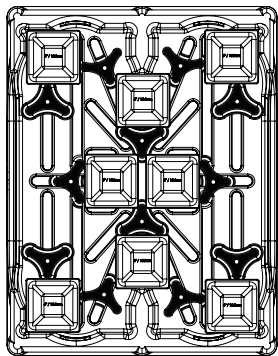
6 Dividers
4 stacks (21,9 to 29,2 cm) Ovals and
1 stack (40,5 cm) Round



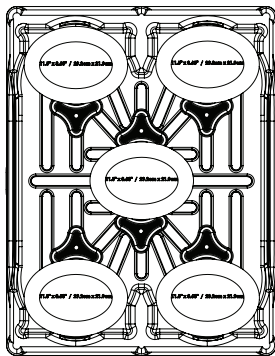
8 Dividers*
6 stacks (20,3 cm) Medium Squares



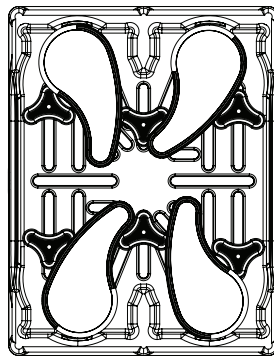
6 Dividers
2 stacks (33,7 cm) Large Rounds,
1 stack (25,4 cm) Medium Squares,
1 stack (29,2 cm) Large Squares, and
1 stack (21,9 to 29,2 cm) Medium Ovals



12 Dividers*
8 stacks (15,2 cm) Small Squares



6 Dividers
5 stacks (21,9 to 29,2 cm) Ovals



6 Dividers
4 stacks Custom Plates

*Extra tower dividers needed for this configuration.

CODE	DESCRIPTION	DIMENSIONS	CARTON DIMENSIONS	CASE KG (CUBE M ³)
ADC33	Versa Dish Caddy (includes Sanitary Plastic Cover)	98,43 x 76,2 x 83,82 cm	102,24 x 78,11 x 90,17 cm	34,93 (0,72)
ADCD33	Single Tower Divider (with hardware) for ADC33	11,11 x 15,08 x 50,42 cm (Installed on Dish Caddy)	63,5 x 16,51 x 12,7 cm	1,64 (0,013)

Case pack: 1. Colors: Dark Brown (131), Slate Blue (401).

CAMBRO

© Cambro Manufacturing Company, 5801 Skylab Road, Huntington Beach, CA 92647

(RPK-I33u-00-00-07.03.2012)