



# IMIX<sup>®</sup>-3S+



## ILLUSTRATED PARTS CATALOG

Designs, materials, weights, specifications, and dimensions for equipment or replacement parts are subject to change without notice.

### BUNN-O-MATIC CORPORATION

POST OFFICE BOX 3227

SPRINGFIELD, ILLINOIS 62708-3227

PHONE: (217) 529-6601 FAX: (217) 529-6644

[www.bunn.com](http://www.bunn.com)

To ensure you have the latest revision of the Operating Manual, Illustrated Parts Catalog, Programming Manual, or Service Manual, please visit the Bunn-O-Matic website, at [www.bunn.com](http://www.bunn.com). This is absolutely FREE, and the quickest way to obtain the latest catalog and manual updates. For Technical Service, contact Bunn-O-Matic Corporation at 1-800-286-6070.

## **BUNN-O-MATIC COMMERCIAL PRODUCT WARRANTY**

Warranty statements and information can be found on our website. Please visit <https://commercial.bunn.com/support/warranty-lookup> for further details.

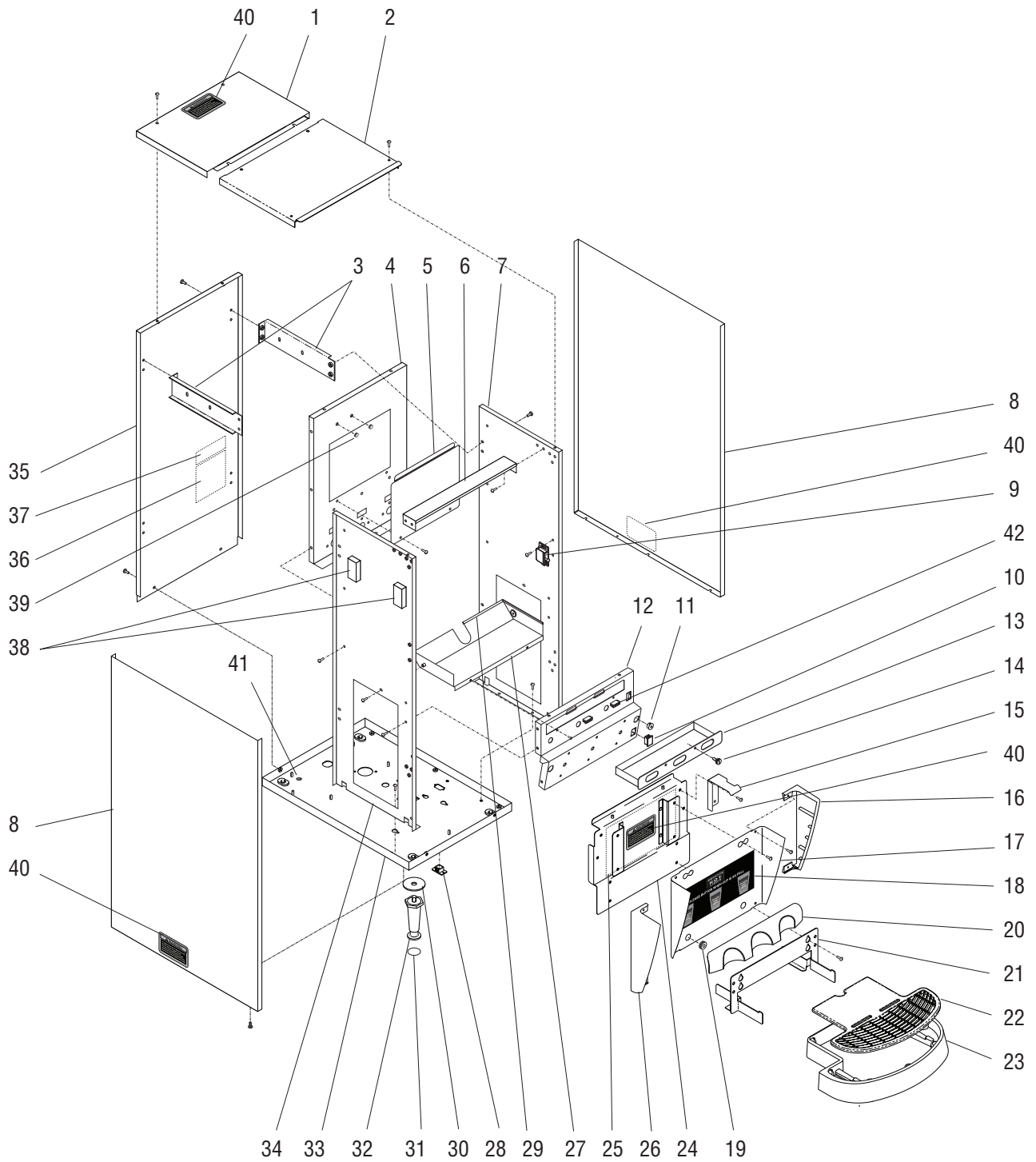
## TABLE OF CONTENTS

TITLE	PAGE NO.
Covers, Panels and Drip Tray .....	4
Door, Lamp, Dispense Switches and Panels (Left and Right Hinged Doors).....	8
Door, Lamp, Dispense Switches and Panels (Top Hinged Doors) .....	12
Auger Drive and Hopper Assembly .....	16
Mixing/Whipper Chambers and Drive Motor .....	18
Tank, Heater and Overflow Protection .....	20
Dispense Valves and Lines.....	24
Electrical Controls .....	26
Numerical Index.....	28



# COVERS, PANELS AND DRIP TRAY

IMIX®-3S+



## COVERS, PANELS AND DRIP TRAY

ITEM	PART NO.	QTY.	DESCRIPTION
1	36958.1001	1	Cover, Top Rear - BLK
	36958.1002	1	Cover, Top Rear - SST
	01311.0003	2	Screw, Truss Head BLK #8-32 x .25"
	01311.0000	2	Screw, Truss Head SST #8-32 x .25"
2	36959.0001	1	Cover, Top Front - BLK (Right and Left Hinged Doors)
	36959.0002*	1	Cover, Top Front - SST (Right and Left Hinged Doors)
	41577.0001	1	Cover, Top Front - BLK (Top Hinged Doors)
	01311.0003	2	Screw, Truss Head BLK #8-32 x .25"
	01311.0000	2	Screw, Truss Head SST #8-32 x .25"
	01382.0002	2	Screw, Truss Head BLK #6-32 x .375"
3	35926.0000	4	Bracket, Side Support
	01311.0001	8	Screw, Truss Head - Locking #8-32 x .25"
4	36967.0005	1	Panel, Inner Rear
	01311.0001	6	Screw, Truss Head - Locking #8-32 x .25"
5	36968.0001	1	Panel, Inner Access
	01311.0000	2	Screw, Truss Head #8-32 x .25"
6	36986.0000	1	Strap, Top Support (Right and Left Hinged Doors)
	41660.0000	1	Bracket, Hinge (Top Hinged Doors)
	01311.0001	6	Screw, Truss Head - Locking #8-32 x .25"
7	36230.0001	1	Panel, Inner Right (Right Hinged Door)
	36230.0002	1	Panel, Inner Right (Left Hinged Door)
	36230.0003	1	Panel, Inner Right (Top Hinged Doors)
	01311.0001	2	Screw, Truss Head - Locking #8-32 x .25"
8	35912.0001*	2	Panel, Side - BLK (Right and Left Hinged Doors)
	35912.0002*	2	Panel, Side - SST (Right and Left Hinged Doors)
	35912.0012	1	Panel, Right Side (Top Hinged Doors)
	35912.0014	1	Panel, Left Side (Top Hinged Doors)
	01311.0003	6	Screw, Truss Head BLK #8-32 x .25"
	01311.0000	6	Screw, Truss Head SST #8-32 x .25"
9	34666.0000	1	Catch, Door Latch
	02336.0000	2	Screw, Truss Head #4-40 x .375"
	01509.0001	2	Lock Washer, Int.-tooth #4
10	38935.0000	1	Insert, Switch Hole
11	00669.0005	1	Plug
12	36965.0000	1	Panel, Whipper Motor (Early Models)
	36965.0003	1	Panel, Whipper Motor (Late Models)(Rocker Type Rinse Switch)
	36965.0005	1	Panel, Whipper Motor (Late Models)(Toggle Type Rinse Switch)
	01311.0001	8	Screw, Truss Head - Locking #8-32 x .25"
13	36978.0000*	1	Tray, Powder Box (Early Models)
	36978.0001	1	Tray, Powder Box (Late Models)
14	37988.0000*	2	Screw, Captive #10-32 x .50" (Early Models)
	34998.0000	2	E-Ring, Retaining .127" OD
15	36644.0000	1	Bracket, Door Locking
	01311.0001	2	Screw, Truss Head - Locking #8-32 x .25"
16	36743.0001	1	Cap, Splash Panel Right
	44224.0000	4	Screw, PNH PHH #6-20X.38 LG
17	37498.1000	1	Panel W/Decal, Splash (Includes items 16, 18, 19, 20, & 26)

(Continued)

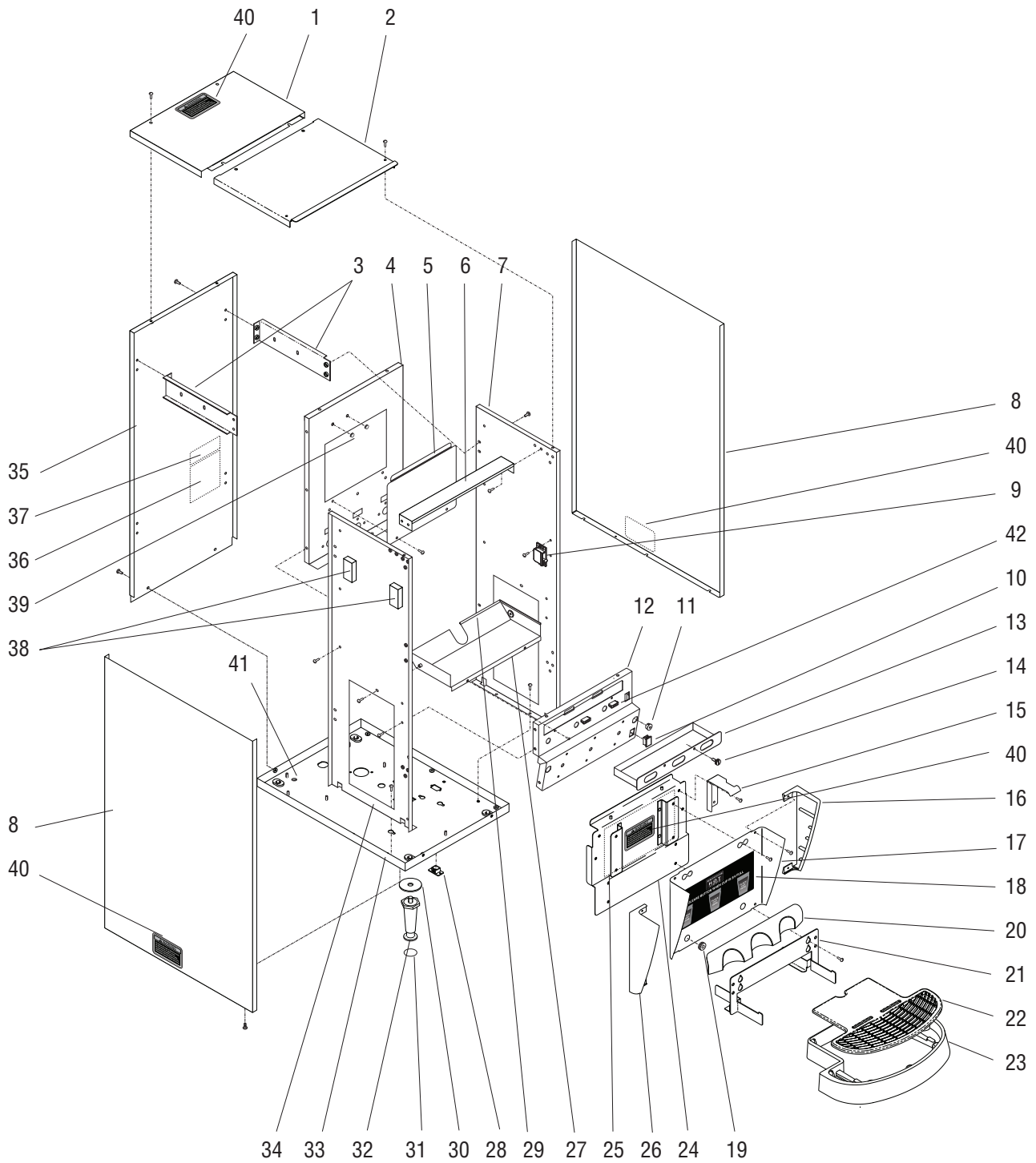
\* Indicates the part number listed is for reference only. See DESCRIPTION for possible service replacement.



# COVERS, PANELS AND DRIP TRAY

IMIX®-3S+

(Continued)



P3648.25

## COVERS, PANELS AND DRIP TRAY

ITEM	PART NO.	QTY.	DESCRIPTION
18	28328.0011	1	Decal, Caution-Hot Liquid & Cup
19	02536.0000	2	Grommet, Silicone .375" ID
20	36983.0000	1	Guide, Cup
21	37462.0000	1	Bracket, Drip Tray
	01311.0001	2	Screw, Truss Head - Locking #8-32 x .25"
22	36985.0000	1	Cover, Drip Tray
23	36984.0000	1	Drip Tray
24	36972.0001*	1	Panel, Lower Access
	01311.0000	2	Screw, Truss Head #8-32 x .25"
25	38986.0000*	1	Schematic 120V (Doors with Fluorescent Lighting)
	38986.0013	1	Schematic 120V (Doors with LED Lighting)
	38986.0001	1	Schematic 230V (Doors with Fluorescent Lighting)
26	36743.0000	1	Cap, Splash Panel Left
	44224.0000	4	Screw, PNH PHH #6-20X.38 LG
27	36974.0001	1	Shelf, Powder Box
	01311.0001	2	Screw, Truss Head - Locking #8-32 x .25"
	02336.0000	2	Screw, Truss Head #4-40 x .375"
28	36398.0000	1	Plug, Hole DB-9 (Early Models)
29	02434.0008*	4	Gasket, U-Channel 4.60" (Order item 44)
30	01526.0001	4	Washer, Flat .438" ID x 1.88" OD
31	03996.0000	4	Pad, Rubber 1.25" Dia. (Also see item 43)
32	26528.0000	4	Leg, 4.0" Adjustable (Also see item 43)
33	36963.0000	1	Panel, Bottom
34	36229.0001	1	Panel, Inner Left (Right Hinged Door)
	36229.0002	1	Panel, Inner Left (Left Hinged Door)
	36229.0003	1	Panel, Inner Left (Top Hinged Doors)
	01311.0001	2	Screw, Truss Head - Locking #8-32 x .25"
35	36961.1001	1	Panel Assembly, Rear - BLK (Includes items 36 and 37)
	36961.0002*	1	Panel Assembly, Rear - SST
	01311.0003	11	Screw, Truss Head BLK #8-32 x .25"
	01311.0000	11	Screw, Truss Head SST #8-32 x .25"
36	00986.0000	1	Decal, Warning-Electrical
37	00656.0001	1	Decal, Comply to Plumbing Code
38	36896.0000	4	Pad, Styro 1.0" x 2.0" x 0.5"
39	00619.0002	2	Plug, Hole .25" Dia.
40	37881.0000	4	Decal, No Serviceable Parts
41	00824.0002	1	Decal, Grounding
42	21436.0000	2	Catch, Magnetic Snap-in
43	13255.0003	-	Kit, Leg 4.0" Adjustable (Includes 4 each of items 31 & 32)
44	02434.1000	-	Gasket, U-Channel - 18" LG
	02434.1001	-	Gasket, U-Channel - 36" LG

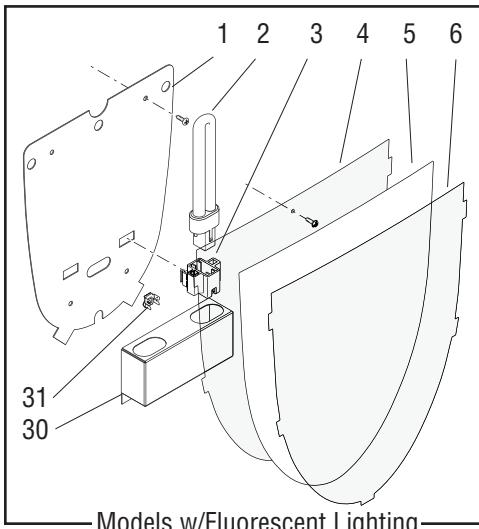
\* Indicates the part number listed is for reference only. See DESCRIPTION for possible service replacement.



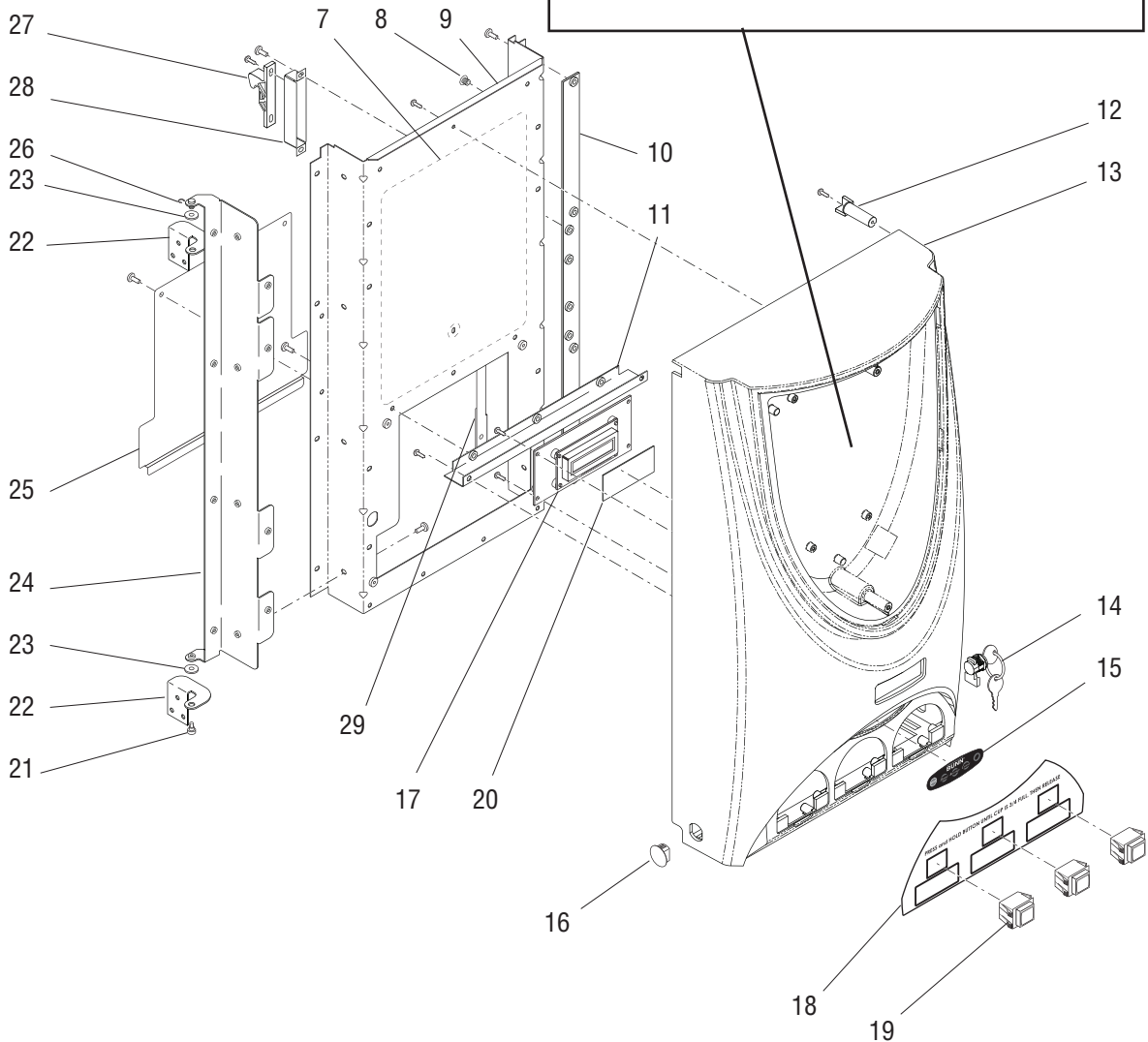
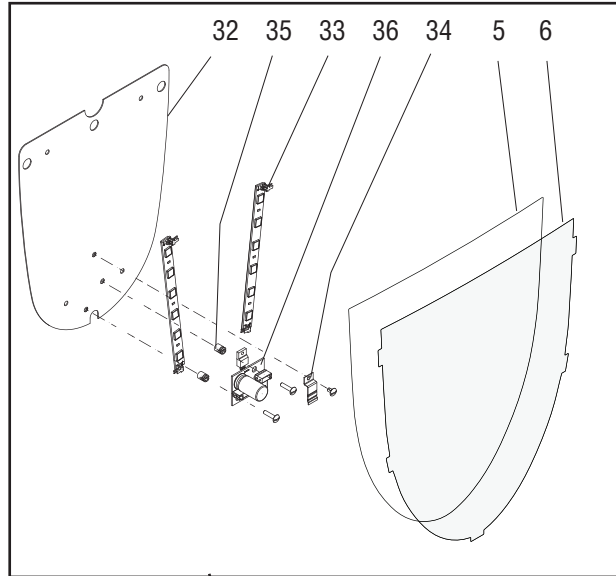
# DOOR, LAMP, DISPENSE SWITCHES AND PANELS (LEFT & RIGHT HINGED DOORS)

**IMIX®-3S+**

(EARLY MODELS)



Models w/Fluorescent Lighting



P3649.45

**DOOR, LAMP, DISPENSE SWITCHES AND PANELS  
(LEFT & RIGHT HINGED DOORS)**

ITEM	PART NO.	QTY.	DESCRIPTION	(EARLY MODELS)
1	37466.0003	1	Panel, Lamp (Doors with Fluorescent Lighting)	
	46278.0001	1	Panel, LED (Doors with LED Lighting)	
	44224.0000	4	Screw, PNH PHH #6-20X.38 LG TYPE 25	
2	32806.0000	2	Lamp, Fluorescent - 7 Watts (Doors with Fluorescent Lighting)	
3	32807.0001	2	Lamp Holder, Fluorescent (Doors with Fluorescent Lighting)	
4	37456.0000	1	Lens, Fixed	
	02336.0000	2	Screw, Truss Head #4-40 x .375"	
5	37457.0000	1	Display, Graphics	
	37457.0006	1	Display, Iced Coffee Graphics	
6	37456.0001	1	Lens, Removable	
7	37254.0003	1	Decal, Cleaning	
8	36149.0000	8	Fastener, Snap-in .197" Hole	
9	36667.1001*	1	Panel, Door - Upper (Right Hinged Door)(Includes item 7)	
	36667.1003*	1	Panel, Door - Upper (Left Hinged Door)(Includes item 7)	
	44224.0000	4	Screw, PNH PHH #6-20X.38 LG TYPE 25	
	01311.0001	19	Screw, Truss Head Locking #8-32 x .25"	
10	36658.0000*	1	Flange, Door	
11	36734.0001	1	Bracket, Inner Panel	
	44224.0000	4	Screw, PNH PHH #6-20X.38 LG TYPE 25	
12	36244.0000	1	Plug, Door Hinge	
	44224.0000	4	Screw, PNH PHH #6-20X.38 LG TYPE 25	
13	-----	1	Door (Obsolete part)	
14	32863.1000	1	Keylock W/Keys, Door (Not used on models without door locks)	
	28095.0000	1	Key Set	
15	36231.0000	1	Membrane Switch	
16	00669.0004	1	Plug, .75" x .625" hole (One additional used on models without door locks)	
17	38832.1001	1	Circuit Board, Display	
	01311.0000	4	Screw, Truss Head #8-32 x .25"	
18	39060.0000	1	Plate, Switch	
19	28296.0002	3	Switch, Dispense	
20	37013.0000	1	Cover, LCD Door Lens	
21	24457.0002	1	Screw, .25" Shoulder #8-32	
22	36647.0000	2	Bracket, Hinge (Left Side Hinge)	
	36647.0001	2	Bracket, Hinge (Right Side Hinge)	
	01311.0001	6	Screw, Truss Head #8-32 x .25" Locking	
23	34362.0000	2	Bushing, Hinge	

**(Continued)**

\* Indicates the part number listed is for reference only. See DESCRIPTION for possible service replacement.

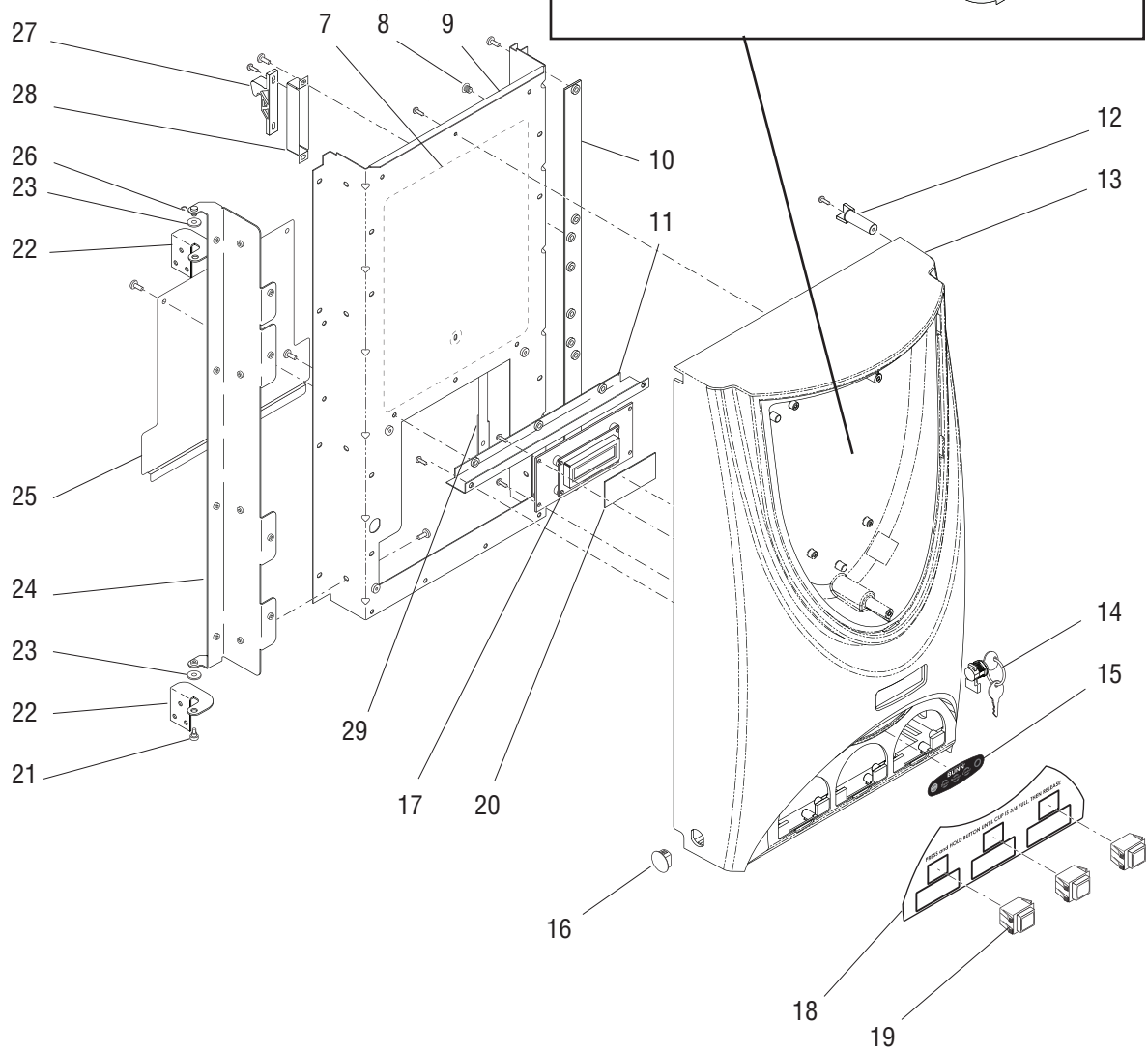
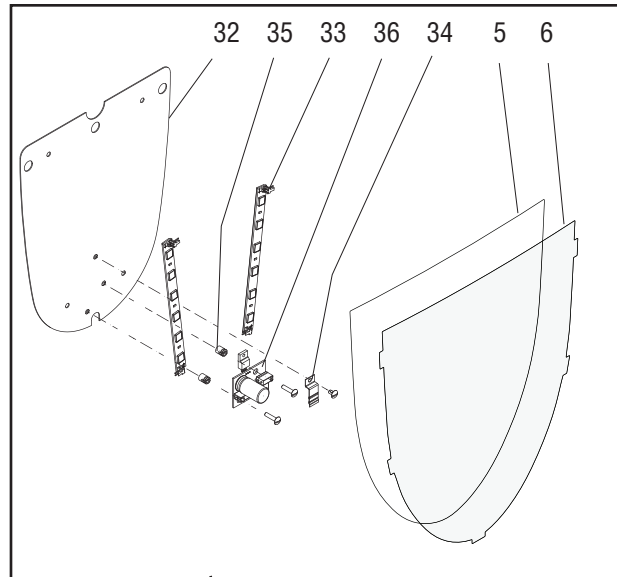
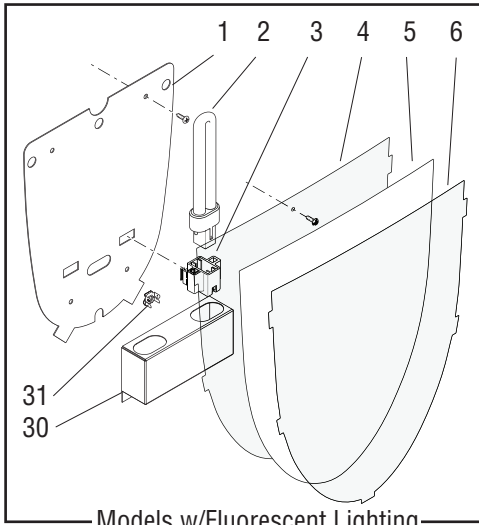


# DOOR, LAMP, DISPENSE SWITCHES AND PANELS (LEFT & RIGHT HINGED DOORS)

**IMIX®-3S+**

(Continued)

(EARLY MODELS)



**DOOR, LAMP, DISPENSE SWITCHES AND PANELS  
(LEFT & RIGHT HINGED DOORS)**

ITEM	PART NO.	QTY.	DESCRIPTION	(EARLY MODELS)
24	36661.0000*	1	Flange, Door Hinge (Left Side Hinge)	
	36661.0001*	1	Flange, Door Hinge (Right Side Hinge)	
25	36659.0001*	1	Panel, Door - Lower (Right Hinged Door)	
	36659.0003	1	Panel, Door - Lower (Left Hinged Door)	
	01311.0000	2	Screw, Truss Head #8-32 x .25"	
	01311.0001	1	Screw, Truss Head #8-32 x .25" Locking"	
26	01403.0000	1	E-Ring, External .188" Shaft	
27	34667.0000	1	Keeper, Door Latch	
	01382.0000	2	Screw, Truss Head #6-32 x .38"	
28	36669.0000*	1	Bracket, Keeper Mounting	
	01311.0001	2	Screw, Truss Head #8-32 x .25" Locking"	
29	40031.1000	1	Baffle Kit, Left Hand Hinge	
	40031.1001*	1	Baffle Kit, Right Hand Hinge	
30	40032.0000	1	Bracket (Doors with Fluorescent Lighting)	
31	28335.0000	1	Clip, Ground (Doors with Fluorescent Lighting)	
33	42593.0000	2	CBA, 6 LED	
34	41244.0000	1	Clip	
	01308.0002	1	Screw, Truss Head 6-32 x .25" Lkg	
35	29081.0005	2	Spacer	
36	48005.0001	1	CBA, Backlight Regulator	
	02367.0002	2	Screw, Truss Head 6-32 x .62" Lkg	

**NOTE: The following items are not illustrated**

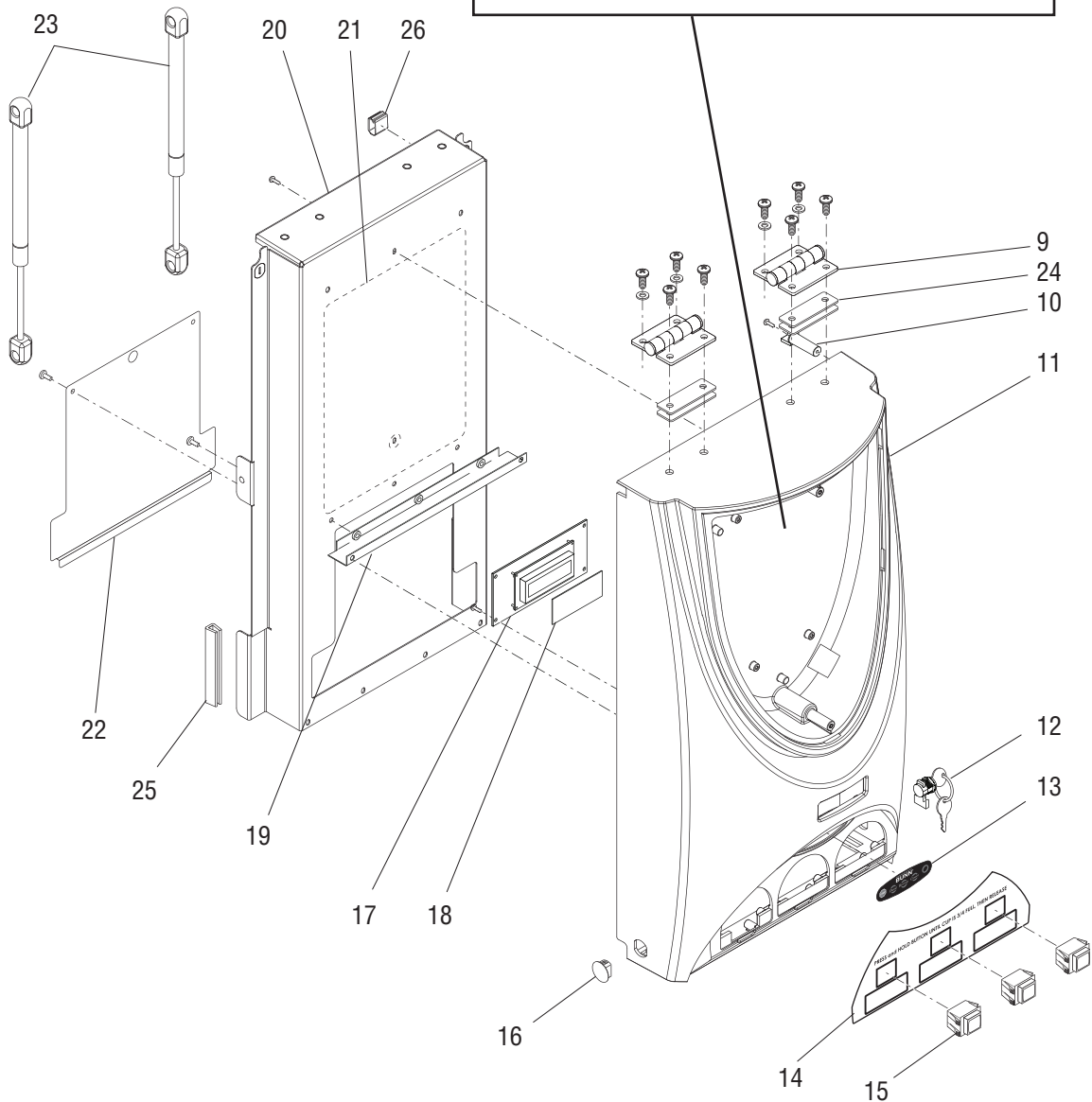
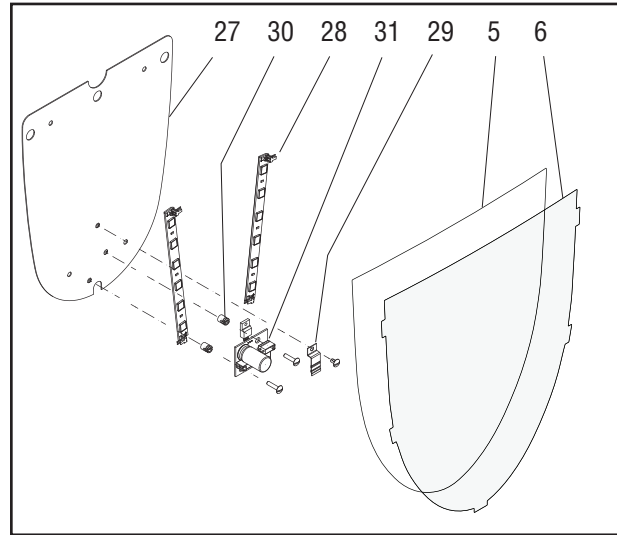
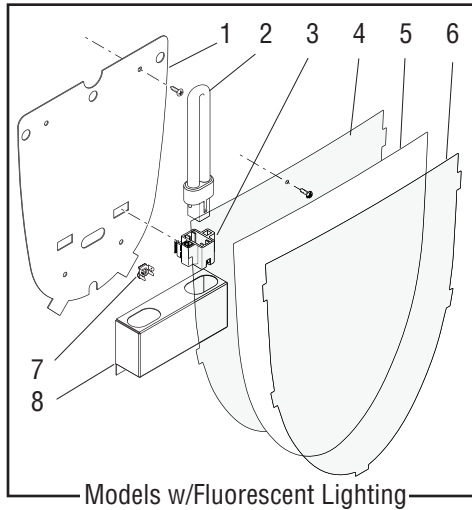
37	39038.0000	1	Plate, Latch Mounting	
	01382.0000	2	Screw, Truss Head #6-32 x .38"	
38	26444.0000	2	Bushing, Strain Relief	
39	36888.0000	1	Wiring Harness, Door Interconnect (Doors with Fluorescent Lighting)	
	47311.0001	1	Wiring Harness, Door Interconnect (Doors with LED Lighting)	
40	36887.0003	1	Wiring Harness, Backlight (Doors with Fluorescent Lighting)	
41	26537.0000	1	Decal, Flavors (Almond Amaretto, Cappuccino, French Vanilla, Hazelnut, Hot Chocolate and Raspberry Mocha)	
	26537.0001	1	Decal, Flavors (Swiss Mocha, Mocha, Raspberry Vanilla, Irish Creme, Coffee and Original)	
	26537.0003	1	Decal, Flavors (White Chocolate, Cinnamon Vanilla Nut, Decaf, Regular, French Vanilla and Hot Chocolate)	
	26537.0039*	1	Decal, Iced Coffee Flavors (Espresso Latte, Mocha Latte, Colombian, Dark Roast, Raspberry Coffee, Hazelnut Coffee, French Vanilla Latte, Caramel Latte, Chai Tea Latte, Horchatta)	

\* Indicates the part number listed is for reference only. See DESCRIPTION for possible service replacement.



# DOOR, LAMP, DISPENSE SWITCHES AND PANELS (TOP HINGED DOORS)

IMIX®-3S+



P4116.45

**DOOR, LAMP, DISPENSE SWITCHES AND PANELS  
(TOP HINGED DOORS)**

ITEM	PART NO.	QTY.	DESCRIPTION
1	37466.0003	1	Panel, Lamp (Doors with Fluorescent Lighting)
	46278.0001	1	Panel, LED (Doors with LED Lighting)
	44224.0000	4	Screw, PNH PHH #6-20X.38 LG TYPE 25
2	32806.0000	2	Lamp, Fluorescent - 7 Watts (Doors with Fluorescent Lighting)
3	32807.0001	2	Lamp Holder, Fluorescent (Doors with Fluorescent Lighting)
4	37456.0000	1	Lens, Fixed
	02336.0000	2	Screw, Truss Head #4-40 x .375"
5	37457.0000	1	Display, Graphics
	37457.0006	1	Display, Iced Coffee Graphics
6	37456.0001	1	Lens, Removable
7	28335.0000	1	Clip, Ground (Doors with Fluorescent Lighting)
8	40032.0000	1	Bracket (Doors with Fluorescent Lighting)
9	43514.0001	2	Hinge
	41923.0000	8	Screw, Pan Head BLK .25-20 x
	41921.0000	4	Washer
10	36244.0000	1	Plug, Door Hinge
	44224.0000	4	Screw, PNH PHH #6-20X.38 LG TYPE 25
11	37096.1005	1	Door
12	32863.1000	1	Keylock W/Keys, Door (Not used on models without door locks)
	28095.0000	1	Key Set
13	36231.0000	1	Membrane Switch
14	39060.0000	1	Plate, Switch
15	28296.0002	3	Switch, Dispense
16	00669.0004	1	Plug, .75" x .625" hole (One additional used on models without door locks)
17	38832.1001	1	Circuit Board, Display
	01311.0000	4	Screw, Truss Head #8-32 x .25"
18	37013.0000	1	Cover, LCD Door Lens
19	36734.0001	1	Bracket, Inner Panel
	44224.0000	4	Screw, PNH PHH #6-20X.38 LG TYPE 25
20	41564.0000	1	Panel, Door - Upper (Includes item 21)
	44224.0000	4	Screw, PNH PHH #6-20X.38 LG TYPE 25
	01311.0001	19	Screw, Truss Head Locking #8-32 x .25"
21	37254.0003	1	Decal, Cleaning
22	36659.0003	1	Panel, Door - Lower
	01311.0000	4	Screw, Truss Head #8-32 x .25"
23	33111.1001	2	Gas Spring
24	44095.0000	4	Shim

**(Continued)**

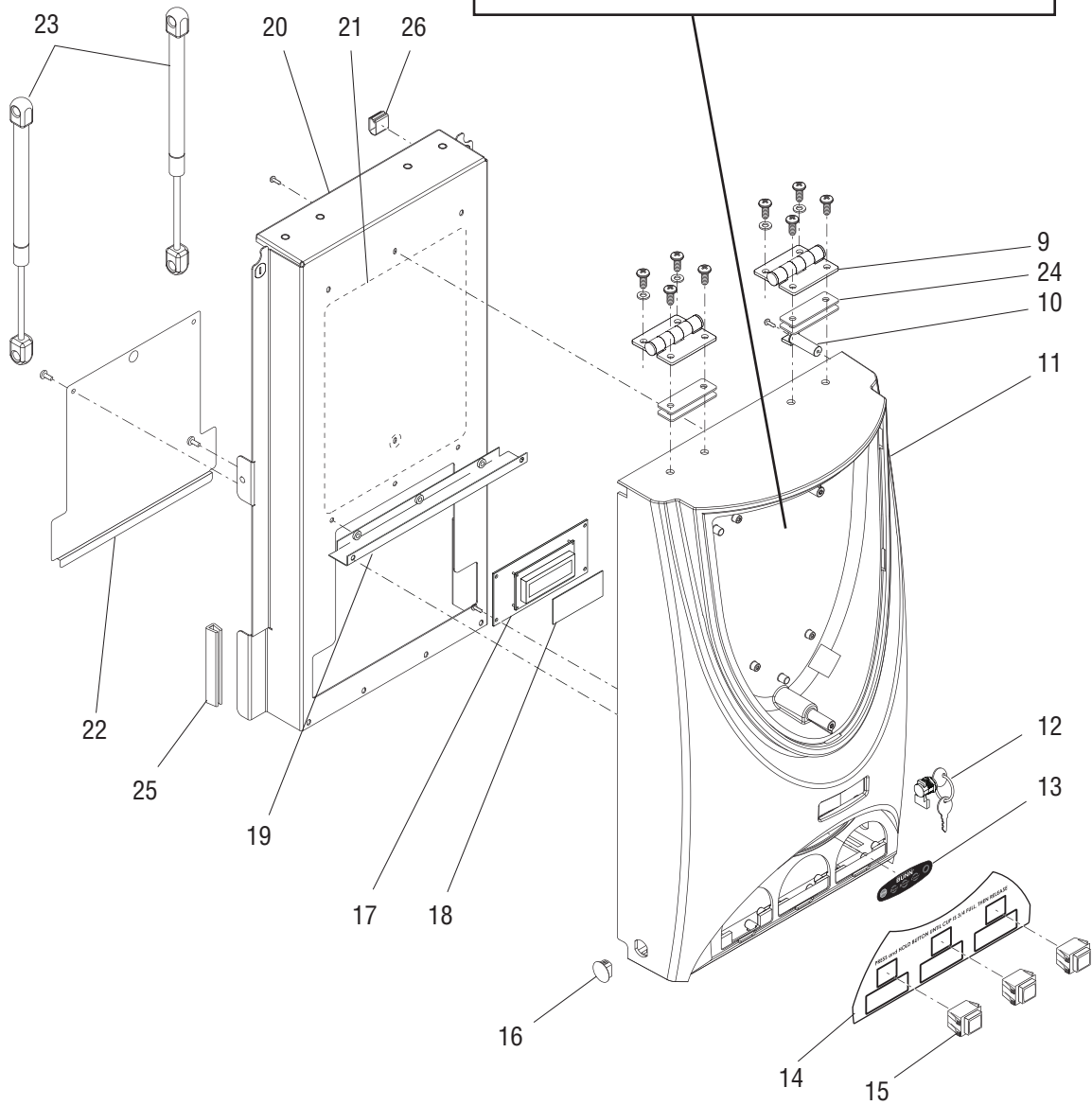
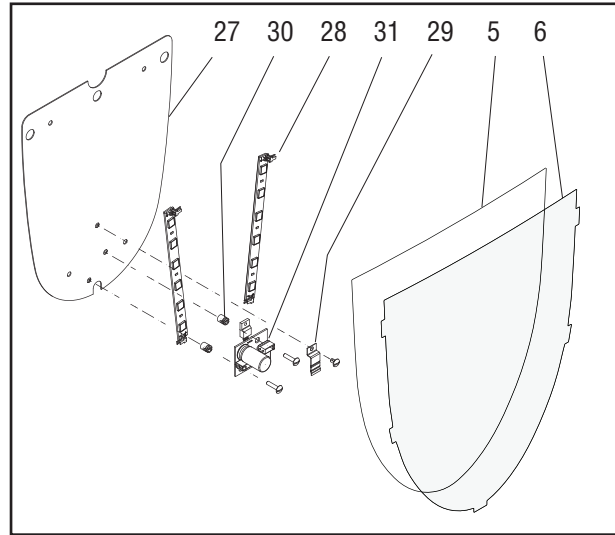
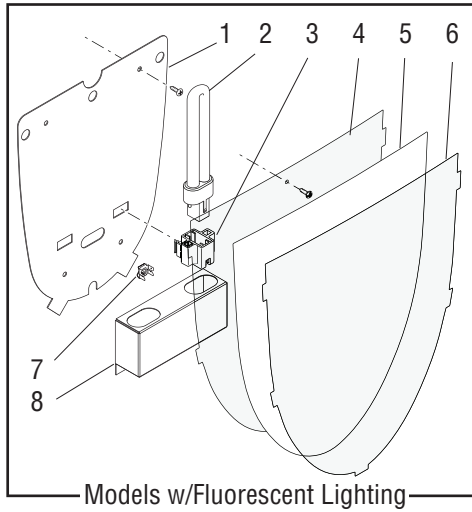
\* Indicates the part number listed is for reference only. See DESCRIPTION for possible service replacement.



# DOOR, LAMP, DISPENSE SWITCHES AND PANELS (TOP HINGED DOORS)

IMIX®-3S+

(Continued)



P4116.45

**DOOR, LAMP, DISPENSE SWITCHES AND PANELS  
(TOP HINGED DOORS)**

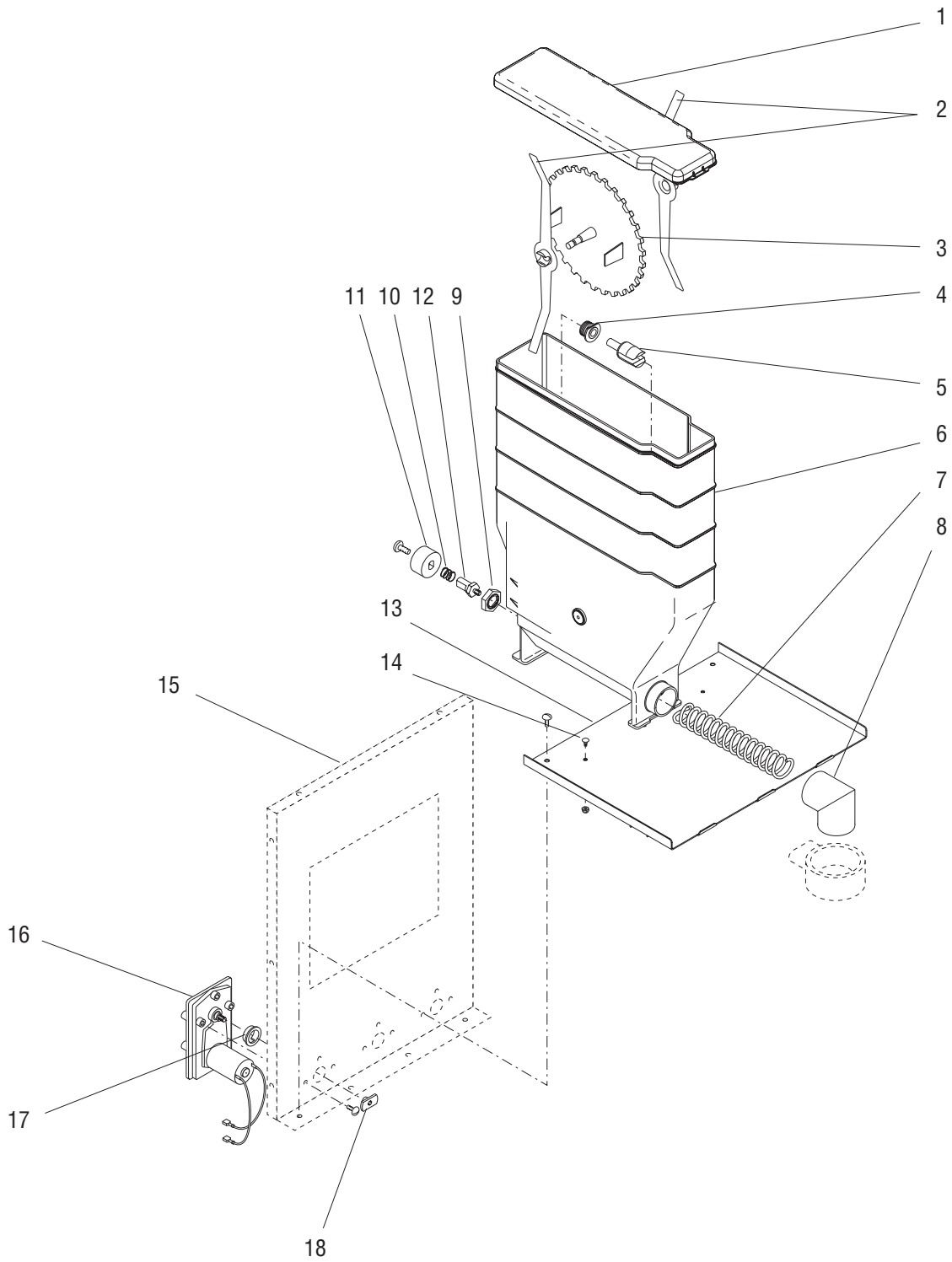
ITEM	PART NO.	QTY.	DESCRIPTION
25	02434.0005*	2	Gasket, U-channel 3.5" (order item 36)
26	35260.0000	2	Cable Mount
28	42593.0000	2	CBA, 6 LED
29	41244.0000	1	Clip
	01308.0002	1	Screw, Truss Head 6-32 x .25" Lkg
30	29081.0005	2	Spacer
31	48005.0001	1	CBA, Backlight Regulator
	02367.0002	2	Screw, Truss Head 6-32 x .62" Lkg
<b>NOTE: The following items are not illustrated</b>			
32	00707.0001	2	Bushing, Strain Relief
33	36888.0002	1	Wiring Harness, Door Interconnect (Doors with Fluorescent Lighting)
	47311.0001	1	Wiring Harness, Door Interconnect (Doors with LED Lighting)
34	36887.0003	1	Wiring Harness, Backlight
35	26537.0000	1	Decal, Flavors (Almond Amaretto, Cappuccino, French Vanilla, Hazelnut, Hot Chocolate and Raspberry Mocha)
	26537.0001	1	Decal, Flavors (Swiss Mocha, Mocha, Raspberry Vanilla, Irish Creme, Coffee and Original)
	26537.0003	1	Decal, Flavors (White Chocolate, Cinnamon Vanilla Nut, Decaf, Regular, French Vanilla and Hot Chocolate)
	26537.0039	1	Decal, Iced Coffee Flavors (Espresso Latte, Mocha Latte, Colombian, Dark Roast, Raspberry Coffee, Hazelnut Coffee, French Vanilla Latte, Caramel Latte, Chai Tea Latte, Horchatta)
36	02434.1000	-	Gasket, U-Channel - 18" LG
	02434.1001	-	Gasket, U-Channel - 36" LG

\* Indicates the part number listed is for reference only. See DESCRIPTION for possible service replacement.



# AUGER DRIVE AND HOPPER ASSEMBLY

IMIX®-3S+



P3642.50

## AUGER DRIVE AND HOPPER ASSEMBLY

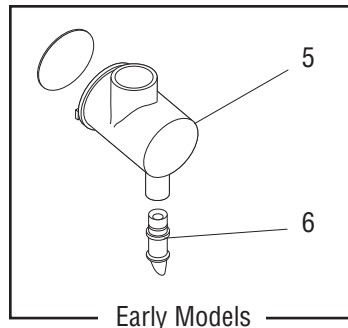
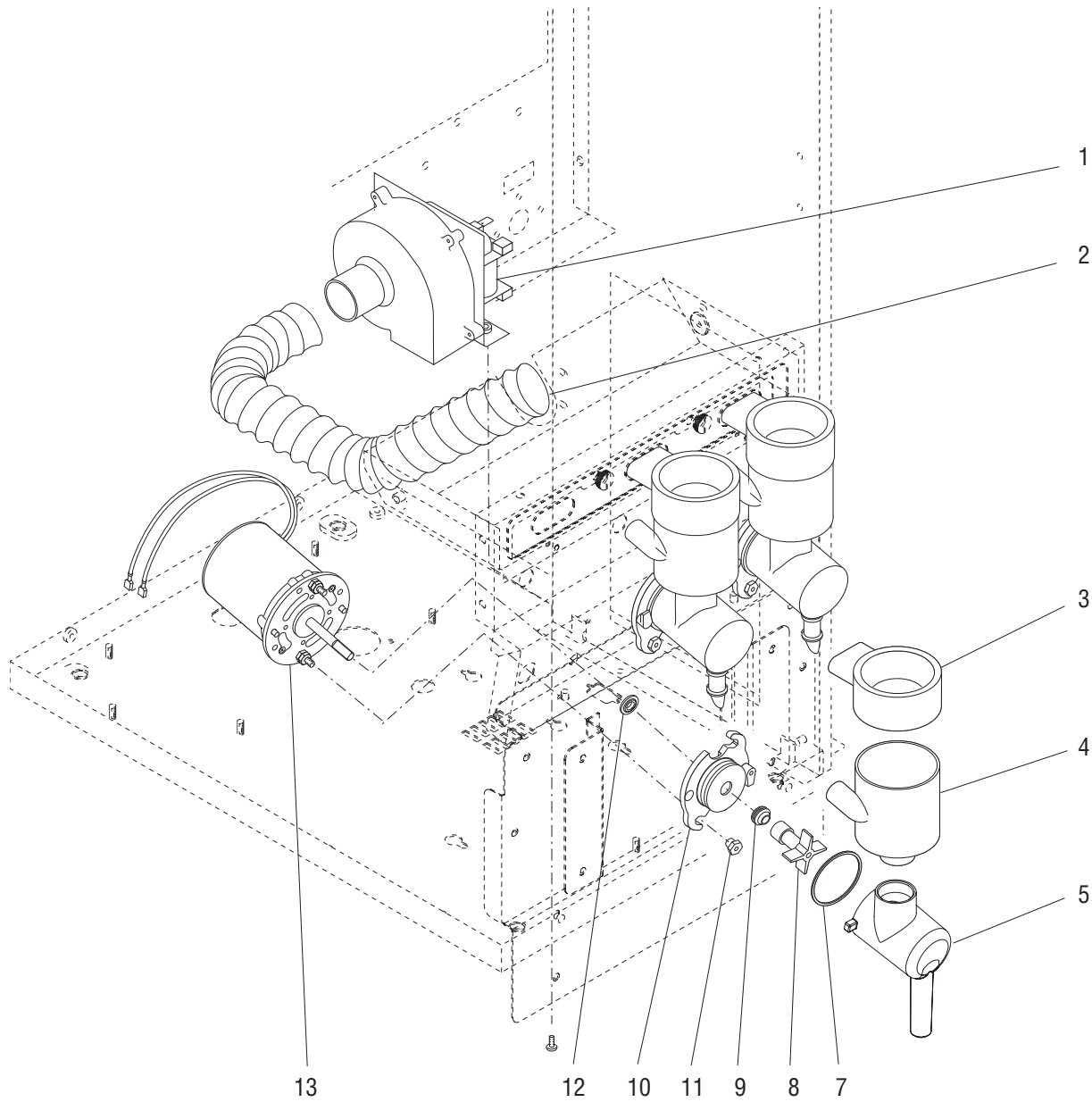
ITEM	PART NO.	QTY.	DESCRIPTION
-	37010.1001	1	Hopper Assy (Includes one each of items 1-12)
1	36653.0001	3	Lid, Hopper
2	32337.0000	6	Mixing Blade
3	32386.0001	3	Disk, Agitator (30 Tooth)
4	28067.0000	3	Bushing, Auger Drive Shaft
5	26940.0002	3	Shaft, Auger Drive
6	37011.0001	3	Hopper
7	39442.0000	3	Auger, Wire
8	25903.0000	3	Elbow, Ejector
9	25743.0000	3	Locknut
10	36774.0000	3	Spring, Hopper Coupling
11	36770.0000	3	Coupling, Auger Drive
	01326.0002	3	Screw, Truss Head #10-32 x .25"
12	37539.1000	3	Shaft, Auger Drive
13	36970.0000	1	Panel, Hopper Support
	01311.0000	2	Screw, Truss Head #8-32 x .25" Locking
14	20960.0000	3	Screw, Shoulder #6-32 x .375"
	00991.0002	3	Nut, Elastic Lock #6-32
15	-----	-	See COVERS, PANELS & DRIP TRAYS
16	37037.0001	3	Gearmotor Assy, Auger (Each includes items 17 & 18)
	01311.0000	9	Screw, Truss Head #8-32 x .25"
17	26401.0000	1	Dust Seal, Hopper Motor
18	36773.0000	1	Plate, Auger Drive
19	35260.0000	3	Cable Mount, Adhesive (Not Illustrated)

\* Indicates the part number listed is for reference only. See DESCRIPTION for possible service replacement.



# MIXING/WHIPPER CHAMBERS AND DRIVE MOTOR

IMIX®-3S+



## MIXING/WHIPPER CHAMBERS AND DRIVE MOTOR

ITEM	PART NO.	QTY.	DESCRIPTION
1	28295.0000	1	Fan & Bracket Assembly 120V
	28295.0001	1	Fan & Bracket Assembly 230V
	01311.0001	2	Screw, Truss Head - Locking #8-32 x .25"
2	28297.0001	1	Hose, Vacuum
3	25732.0000	3	Steam Collector
4	25733.0003	3	Mixing Chamber
5	25734.0007	3	Whipper Chamber
6	25736.0000*	3	Dispense Tip
	28864.0000*	3	Dispense Tip, Soup
7	24733.0010	3	O-Ring
8	25902.0000	3	Frother
9	26356.0000	3	Seal, Shaft
	26356.1000	-	Kit, Shaft Seal (Includes 6 Seals)
10	28866.0000	3	Receptacle, Whipper Chamber
11	28865.0000	6	Nut, Whipper Motor/Receptacle Mounting
12	28867.0000	3	Slinger
13	28428.1000	3	Motor, Whipper 120V
	28428.1002	3	Motor, Whipper 230V
14	32906.0001	-	Kit, Preventive Maintenance (Includes items 3 thru 10 and 25903.0000 Elbow)

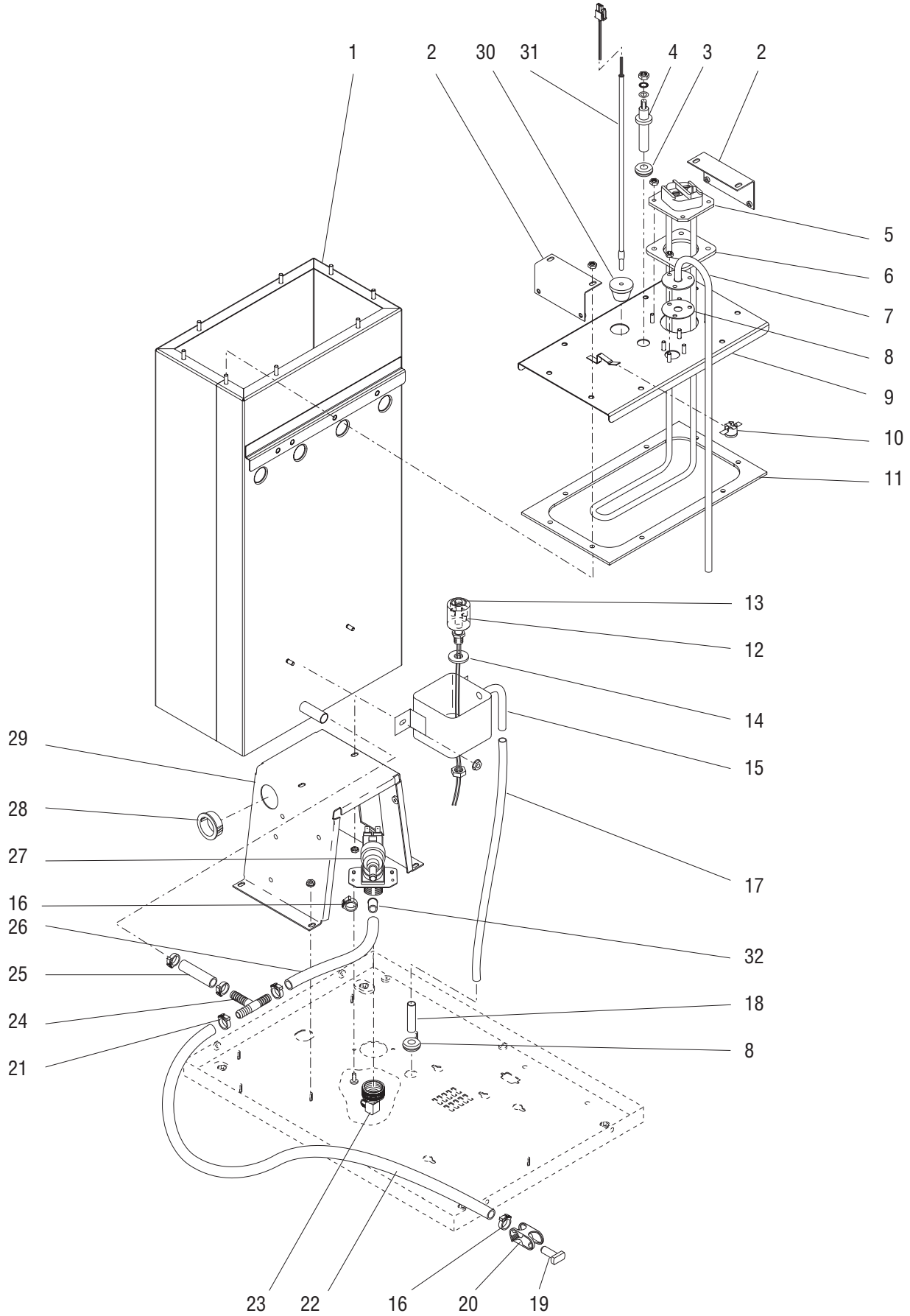
} Early Models. Order item 5

\* Indicates the part number listed is for reference only. See DESCRIPTION for possible service replacement.



# TANK, HEATER AND OVERFLOW PROTECTION

IMIX®-3S+



P3650.50

## TANK, HEATER AND OVERFLOW PROTECTION

ITEM	PART NO.	QTY.	DESCRIPTION
1	37098.0002	1	Tank, Squared (With Copper Overflow Cup)
	37098.1004	1	Tank, Squared (With Aluminum Overflow Cup)
	00970.0000	2	Nut, Keps #8-32
2	36226.0000	2	Bracket, Tank Mounting Upper
	00970.0000	4	Nut, Keps #8-32
3	02536.0000	2	Grommet, .375" I.D.
4	20936.1000	1	Probe Kit (Includes items indented below)
	20203.0100	1	Lock Washer, Internal Tooth #8
	01501.0000	1	Washer, Flat .164" ID x .375" OD
	00908.0000	1	Nut, #8-32
5	36741.1000	1	Tank Heater, 1700W 120V (Includes item 6)
	36741.1001	1	Tank Heater, 1320W 120V (Includes item 6)
	36741.1005	1	Tank Heater Kit, 1200W 120V (Includes item 6)
	36740.1000	1	Tank Heater, 3500W 230V (Includes item 6)
	00908.0000	4	Nut, #8-32
6	12398.0000	1	Gasket, Tank Heater
7	36220.0000	1	Tube, Overflow
	00908.0000	3	Nut, #8-32
8	05515.0000	1	Gasket, Overflow Tube
9	35940.0002	1	Lid, Tank
	00908.0000	4	Nut, Hex #8-32
10	29329.1000	1	Thermostat, Limit
11	35937.0003	1	Gasket, Tank Lid
12	03803.0002	1	Switch Assy, Liquid Level (Includes items 13 & 14)
	00946.0000	1	Nut, Hex .125" FPT
13	03807.0000	1	Clip, Spring
14	03633.0000	1	Gasket, Float Switch
15	22728.0000*	1	Overflow Cup (Copper)
	00970.0000	2	Nut, Keps #8-32
	41259.1003	1	Overflow Cup (Aluminum)
	41266.0000	1	Film
	41280.0001	1	Elbow
04797.0000	1	Washer	
16	12422.0001	2	Clamp, Hose .59"/.66" ID
17	28526.0028*	1	Tube, Silicone .312" ID x 9.5" (Order item 34)
18	21801.0015	1	Tube .375" O.D. x 1.50" LG
19	34392.0000	1	Plug, Hose .375" ID
20	11630.0002	1	Clamp Shut Off, Tube

(Continued)

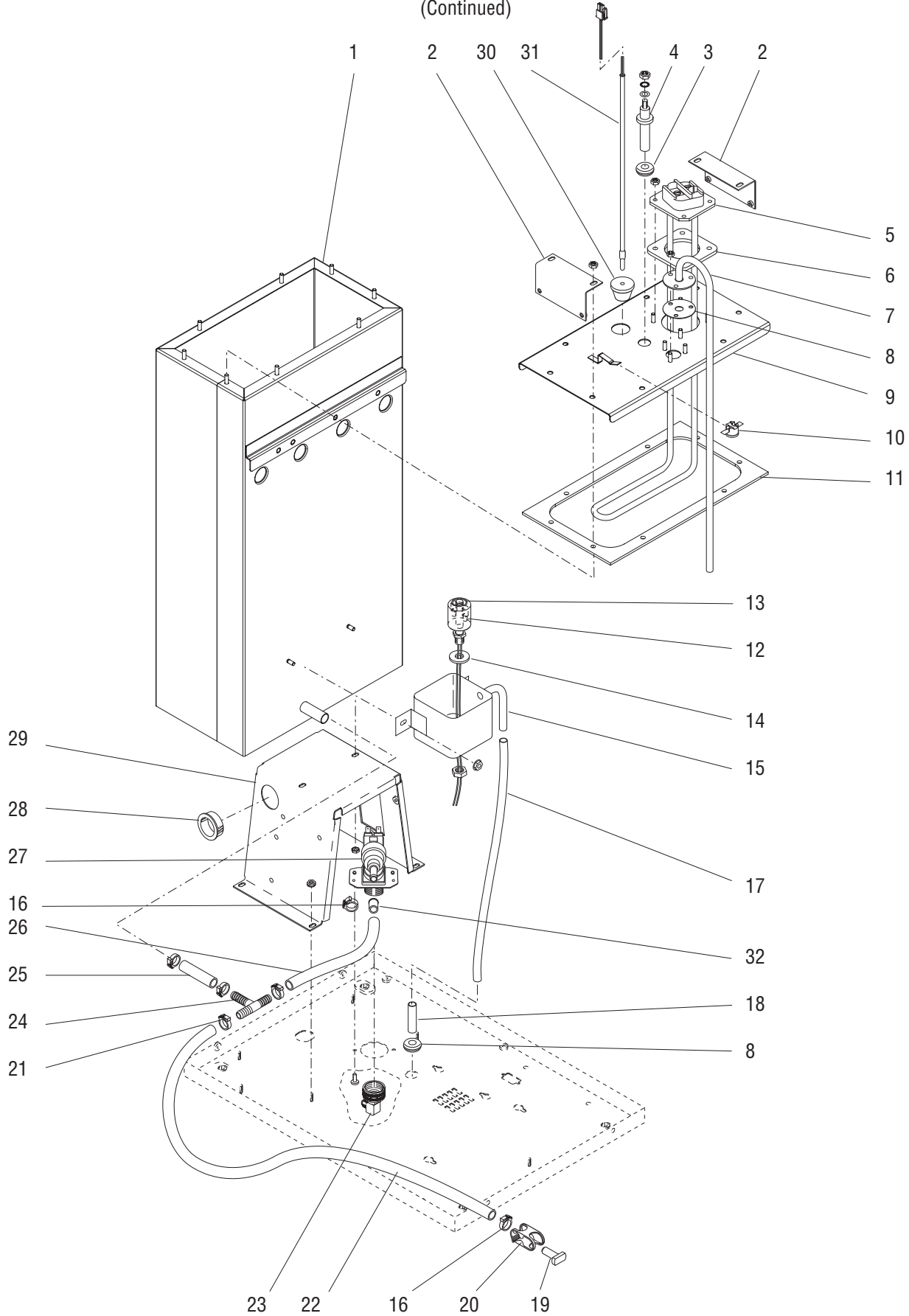
\* Indicates the part number listed is for reference only. See DESCRIPTION for possible service replacement.



# TANK, HEATER AND OVERFLOW PROTECTION

IMIX®-3S+

(Continued)



P3650.50

## TANK, HEATER AND OVERFLOW PROTECTION

ITEM	PART NO.	QTY.	DESCRIPTION
21	12422.0005	4	Clamp, Hose .62"/.71" ID
22	20976.0056*	1	Tube, Silicone .375" ID x 28.0" (Order item 35)
23	37297.0006	1	Elbow, .25" Flare x .75" FTHRD
24	38948.0000	1	Tee, .50" Barb
25	20976.0017*	1	Tube, Silicone .375" ID x 2.0" (Order item 35)
26	20976.0055*	1	Tube, Silicone .375" ID x 9.0" (Order item 35)
27	36233.1000	1	Valve, Water Inlet 120V
	36233.0001	1	Valve, Water Inlet 230V
	32283.0000	2	Screw, Pan Head M4 x 6MM
28	01592.0001	1	Bushing, Snap 1.18" Dia. Hole
29	35942.0001*	1	Bracket, Tank Mounting Lower
	00970.0000	4	Nut, Keps #8-32
30	33801.0003	1	Grommet
31	28891.1008	1	Probe, Temperature/Dry Plug
32	36378.0001	1	Valve, Check 2.5 psi
33	36222.0001*	1	Insulation, Tank
34	28526.1000	-	Tube, Silicone .312" ID x .562" OD x 12"
	28526.1001	-	Tube, Silicone .312" ID x .562" OD x 36"
	28526.1002	-	Tube, Silicone .312" ID x .562" OD x 60"
	28526.1003	-	Tube, Silicone .312" ID x .562" OD x 120"
35	20976.1000	-	Tube, Silicone, .375" ID x .50" OD x 12.0"
	20976.1001	-	Tube, Silicone, .375" ID x .50" OD x 36.0"
	20976.1002	-	Tube, Silicone, .375" ID x .50" OD x 120.0"
36	35946.0002	1	Baffle
37	34572.0000	2	Panel, Baffle Insert
	34765.0000	4	Nut, Flanged #10-32
38	43644.0000	-	Kit, Valve Rebuild

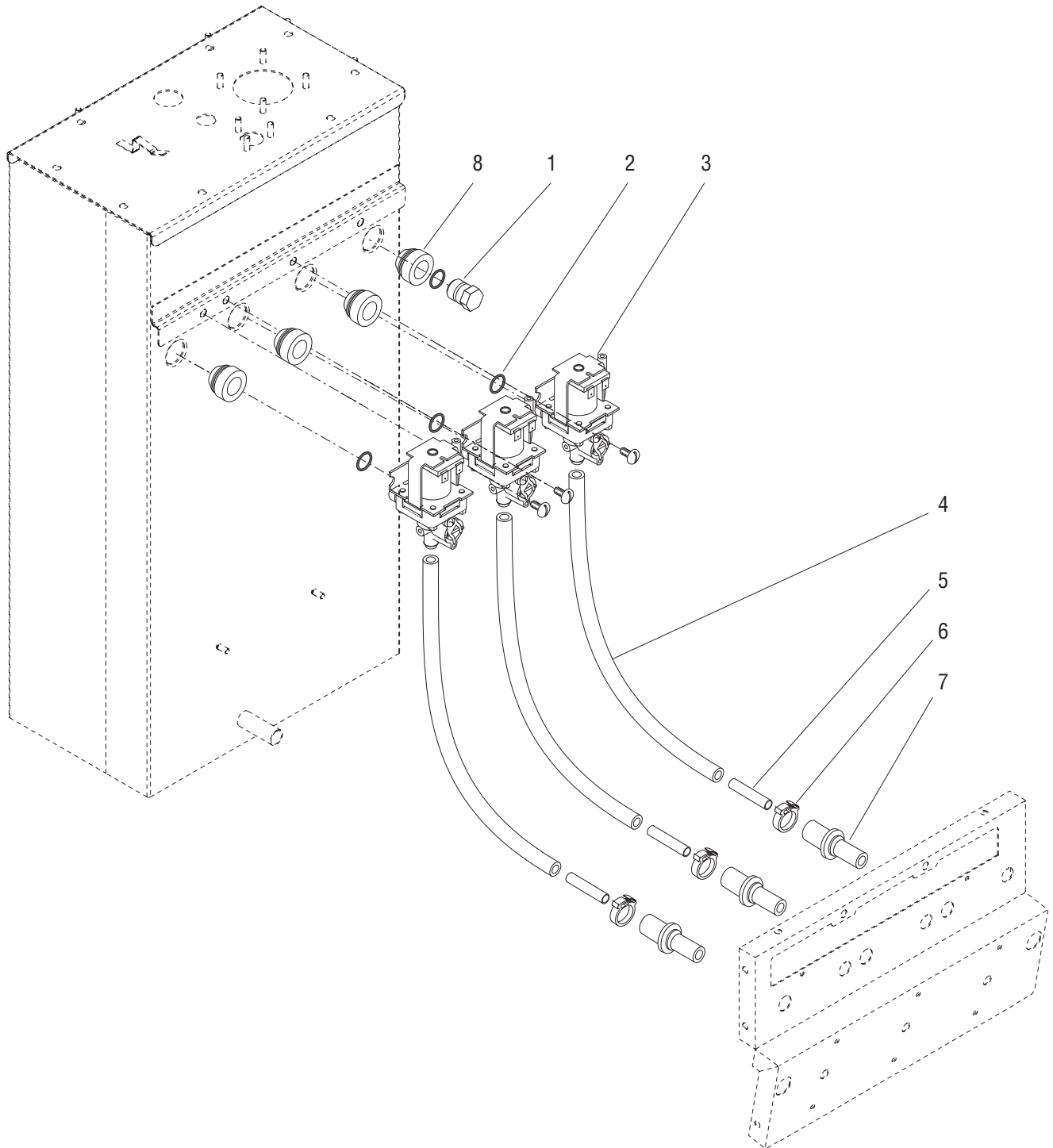
Not Illustrated

\* Indicates the part number listed is for reference only. See DESCRIPTION for possible service replacement.



# DISPENSE VALVES AND LINES

IMIX®-3S+



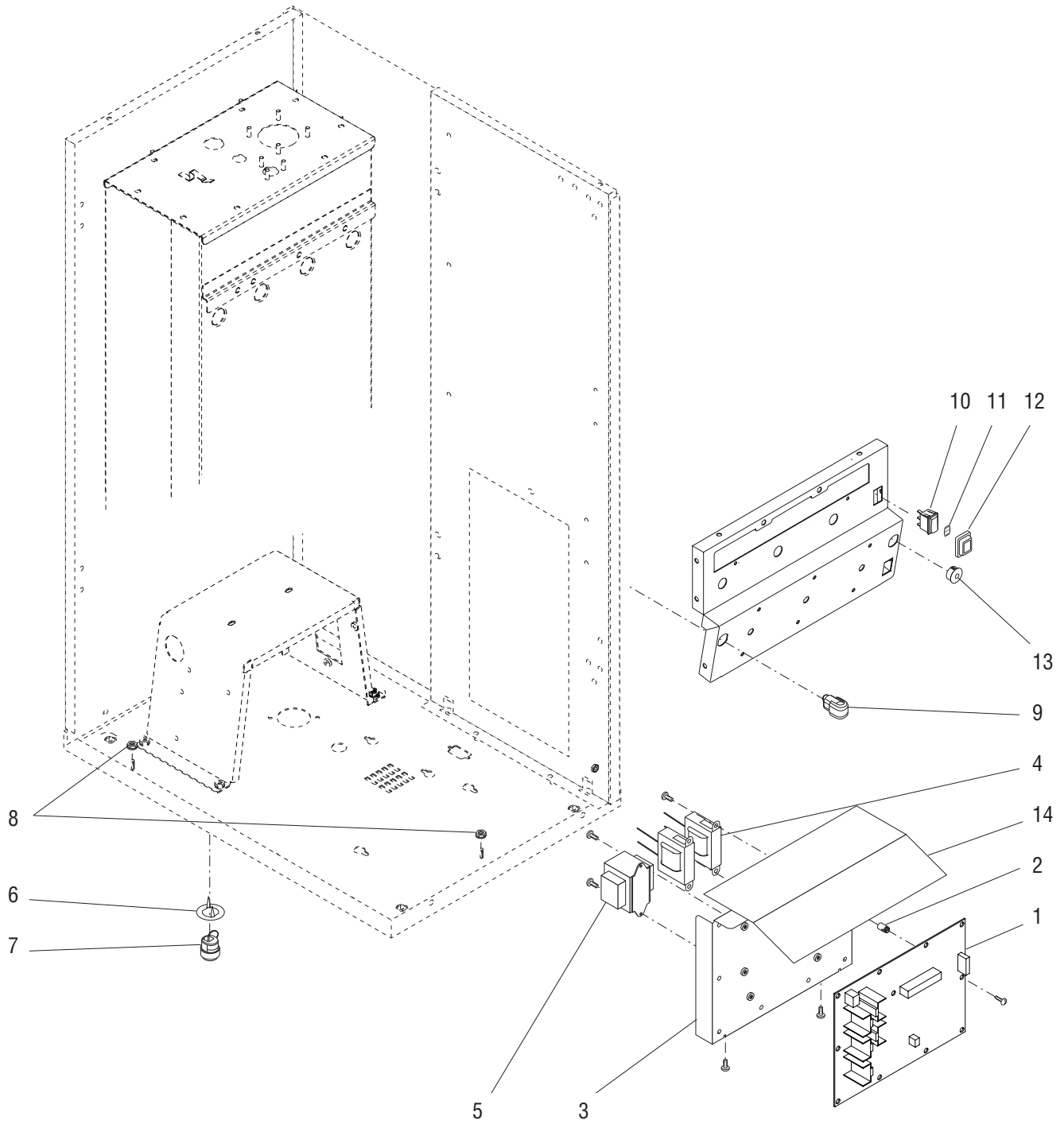
P3643.75

## DISPENSE VALVES AND LINES

ITEM	PART NO.	QTY.	DESCRIPTION
1	26369.1000	1	Plug (Includes item 2)
2	24733.0011	4	O-Ring
3	39285.1001	3	Valve, Liquid Dispense 120V (Includes item 2)
	39285.1002	3	Valve, Liquid Dispense 230V (Includes item 2)
	01326.0000	3	Screw, Truss Head #10-32 x .25"
4	28526.0027*	3	Tube, Silicone .312" ID x 16.5" (Order item 9)
5	21801.0015	3	Tube, .375" OD x 1.50"
6	12422.0001	3	Clamp, Hose .59"/.66" ID
7	25803.0000	3	Water Inlet, Mixing Chamber
8	37970.0000	4	Grommet
9	28526.1001	-	Tube, Silicone .312" I.D. x .438" O.D. x 36"
	28526.1002	-	Tube, Silicone .312" I.D. x .438" O.D. x 60"
	28526.1003	-	Tube, Silicone .312" I.D. x .438" O.D. x 120"
10	45965.1000	-	Repair Kit, Dispense Valve (Includes Spring, Flow Control, O-rings, and Diaphragm)

} Not  
Illustrated

\* Indicates the part number listed is for reference only. See DESCRIPTION for possible service replacement.



## ELECTRICAL CONTROLS

ITEM	PART NO.	QTY.	DESCRIPTION
1	40280.1000	1	Control Board Assy, Main
	01382.0008	11	Screw, Truss Head #6-32 x 1.0"
2	29081.0004	11	Spacer
3	38853.0000	1	Bracket, Component Mounting
	01311.0001	2	Screw, Truss Head Locking #8-32 x .25"
4	28327.0002	2	Ballast, 120V-60HZ W/Terminals
	39642.0000	2	Ballast, 230V-50HZ W/Terminals
	01382.0000	4	Screw, Truss Head #6-32 x .38"
5	34829.0001	1	Transformer Assy, 120V to 24V
	01382.0000	2	Screw, Truss Head #6-32 x .38"
7	01686.0000	1	Bushing, Strain Relief
8	00970.0000	2	Nut, Ground Keps #8-32
9	26444.0000	2	Bushing, Strain Relief
10	27437.0002	1	Switch, Normal/Program/Rinse (Rocker Type Switch
	28857.0000	1	Switch, Run/Rinse (Toggle Type Switch
11	37192.0000	1	Decal, Normal/Program/Rinse Switch (Rocker Type Switch
	26523.0000	1	Decal, Rinse/Run Switch (Toggle Type Switch
12	34390.0000	1	Cap, Switch
13	00669.0005	1	Plug
14	46640.0000	1	Drip Shield
<b>The following items are not illustrated</b>			
15	20630.0008	1	Cord Assembly, Power 120V
16	38940.0006	1	Wiring Harness, Main 120V (Doors with Fluorescent Lighting)
	38940.0026	1	Wiring Harness, Main 120V (Doors with LED Lighting)
	38940.0008	1	Wiring Harness, Main 230V (Doors with Fluorescent Lighting)
	01511.0000	1	Lock Washer, External-tooth #8
	00908.0000	1	Nut, Hex #8-32 (Grounding)
17	38941.0001	1	Wiring Harness, Door Switch
18	38942.0001	1	Wiring Harness, Auger Motor
19	47555.0000	2	Strain Relief (Doors with LED Lighting)
20	46293.0001	1	Wiring Harness, Transformer (Doors with LED Lighting)

\* Indicates the part number listed is for reference only. See DESCRIPTION for possible service replacement.