



SMART WAVE[®] Series



WIDE BASE

NARROW BASE

COMBO

ILLUSTRATED PARTS CATALOG

Designs, materials, weights, specifications, and dimensions for equipment or replacement parts are subject to change without notice.

BUNN-O-MATIC CORPORATION

POST OFFICE BOX 3227

SPRINGFIELD, ILLINOIS 62708-3227

PHONE: (217) 529-6601 FAX: (217) 529-6644

www.bunn.com

To ensure you have the latest revision of the Operating Manual, Illustrated Parts Catalog, Programming Manual, or Service Manual, please visit the Bunn-O-Matic website, at www.bunn.com. This is absolutely FREE, and the quickest way to obtain the latest catalog and manual updates. For Technical Service, contact Bunn-O-Matic Corporation at 1-800-286-6070.

BUNN-O-MATIC COMMERCIAL PRODUCT WARRANTY

Bunn-O-Matic Corp. ("BUNN") warrants equipment manufactured by it as follows:

- 1) Airpots, thermal carafes, decanters, GPR servers, iced tea/coffee dispensers, MCR/MCP/MCA single cup brewers, thermal servers and ThermoFresh® servers (mechanical and digital) 1 year parts and 1 year labor.
- 2) All other equipment - 2 years parts and 1 year labor plus added warranties as specified below:
 - a) Electronic circuit and/or control boards - parts and labor for 3 years.
 - b) Compressors on refrigeration equipment - 5 years parts and 1 year labor.
 - c) Grinding burrs on coffee grinding equipment to grind coffee to meet original factory screen sieve analysis - parts and labor for 4 years or 40,000 pounds of coffee, whichever comes first.

These warranty periods run from the date of installation BUNN warrants that the equipment manufactured by it will be commercially free of defects in material and workmanship existing at the time of manufacture and appearing within the applicable warranty period. This warranty does not apply to any equipment, component or part that was not manufactured by BUNN or that, in BUNN's judgment, has been affected by misuse, neglect, alteration, improper installation or operation, improper maintenance or repair, non periodic cleaning and descaling, equipment failures related to poor water quality, damage or casualty. In addition, the warranty does not apply to replacement of items subject to normal use including but not limited to user replaceable parts such as seals and gaskets. This warranty is conditioned on the Buyer 1) giving BUNN prompt notice of

any claim to be made under this warranty by telephone at (217) 529-6601 or by writing to Post Office Box 3227, Springfield, Illinois 62708-3227; 2) if requested by BUNN, shipping the defective equipment prepaid to an authorized BUNN service location; and 3) receiving prior authorization from BUNN that the defective equipment is under warranty.

THE FOREGOING WARRANTY IS EXCLUSIVE AND IS IN LIEU OF ANY OTHER WARRANTY, WRITTEN OR ORAL, EXPRESS OR IMPLIED, INCLUDING, BUT NOT LIMITED TO, ANY IMPLIED WARRANTY OF EITHER MERCHANTABILITY OR FITNESS FOR A PARTICULAR PURPOSE. The agents, dealers or employees of BUNN are not authorized to make modifications to this warranty or to make additional warranties that are binding on BUNN. Accordingly, statements by such individuals, whether oral or written, do not constitute warranties and should not be relied upon.

If BUNN determines in its sole discretion that the equipment does not conform to the warranty, BUNN, at its exclusive option while the equipment is under warranty, shall either 1) provide at no charge replacement parts and/or labor (during the applicable parts and labor warranty periods specified above) to repair the defective components, provided that this repair is done by a BUNN Authorized Service Representative; or 2) shall replace the equipment or refund the purchase price for the equipment.

THE BUYER'S REMEDY AGAINST BUNN FOR THE BREACH OF ANY OBLIGATION ARISING OUT OF THE SALE OF THIS EQUIPMENT, WHETHER DERIVED FROM WARRANTY OR OTHERWISE, SHALL BE LIMITED, AT BUNN'S SOLE OPTION AS SPECIFIED HEREIN, TO REPAIR, REPLACEMENT OR REFUND.

In no event shall BUNN be liable for any other damage or loss, including, but not limited to, lost profits, lost sales, loss of use of equipment, claims of Buyer's customers, cost of capital, cost of down time, cost of substitute equipment, facilities or services, or any other special, incidental or consequential damages.

392, A Partner You Can Count On, Air Infusion, AutoPOD, AXIOM, BrewLOGIC, BrewMETER, Brew Better Not Bitter, BrewWISE, BrewWIZARD, BUNN Espresso, BUNN Family Gourmet, BUNN Gourmet, BUNN Pour-O-Matic, BUNN, BUNN with the stylized red line, BUNNlink, Bunn-O-Matic, Bunn-O-Matic, BUNNserve, BUNNSERVE with the stylized wrench design, Cool Froth, DBC, Dr. Brew stylized Dr. design, Dual, Easy Pour, EasyClear, EasyGard, FlavorGard, Gourmet Ice, Gourmet Juice, High Intensity, iMIX, Infusion Series, Intellisteam, My Café, Phase Brew, PowerLogic, Quality Beverage Equipment Worldwide, Respect Earth, Respect Earth with the stylized leaf and coffee cherry design, Safety-Fresh, savemycoffee.com, Scale-Pro, Silver Series, Single, Smart Funnel, Smart Hopper, SmartWAVE, Soft Heat, SplashGard, The Mark of Quality in Beverage Equipment Worldwide, ThermoFresh, Titan, trifacta, TRIFECTA (stylized logo), Velocity Brew, Air Brew, Beverage Bar Creator, Beverage Profit Calculator, Brew better, not bitter., Build-A-Drink, BUNNSource, Coffee At Its Best, Cyclonic Heating System, Daypart, Digital Brewer Control, Element, Milk Texturing Fusion, Nothing Brews Like a BUNN, Picture Prompted Cleaning, Pouring Profits, Signature Series, Sure Tamp, Tea At Its Best, The Horizontal Red Line, Ultra are either trademarks or registered trademarks of Bunn-O-Matic Corporation. The commercial trifacta® brewer housing configuration is a trademark of Bunn-O-Matic Corporation.

TABLE OF CONTENTS

HOOD ASSEMBLIES	4
TRUNK, FAUCET & BASE	6
REAR FRAME & INLET FIRST STYLE.....	8
REAR FRAME & INLET SECOND STYLE	10
TANK AND COMPONENTS	12
FUNNELS	14
NUMERICAL INDEX	16

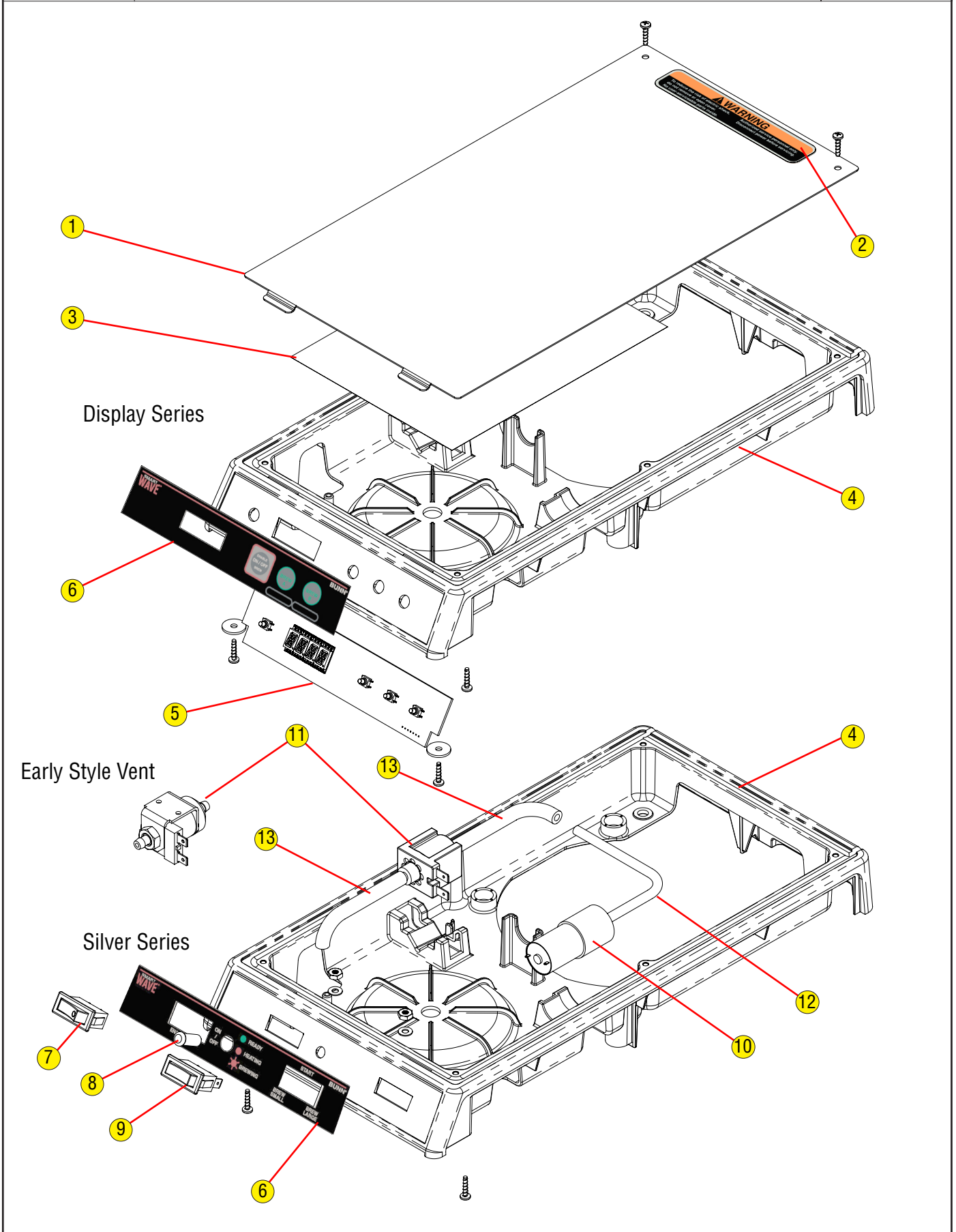
To order coffee filters, water filters, or other accessories, refer to Specification Sheets at www.bunn.com

Fraction	Decimal		Fraction	Decimal
1/16	0.063		9/16	0.563
1/8	0.125		5/8	0.625
3/16	0.188		11/16	0.688
1/4	0.250		3/4	0.750
5/16	0.313		13/16	0.813
3/8	0.375		7/8	0.875
7/16	0.438		15/16	0.938
1/2	0.500		1	1.000



HOOD ASSEMBLIES

SMART
WAVE™



HOOD ASSEMBLIES

ITEM	PART NO.	QTY. DISPLAY	QTY. SILVER	DESCRIPTION
1	40152.1000 01360.0001	1 2	1 2	Cover, (Includes Item 2) Screw # 8-32 x .375"
2	37881.0002	1	1	Decal, No User Serviceable Parts
3	40405.0001 40405.0002 40405.0003 40405.0004	1 1 1 -	1 1 1 -	Schematic 230V Schematic 120V/240V Schematic 100V & 120V Schematic 120V Combo Only
4	39661.0000 39661.0001 44646.0001 00908.0000 01501.0000	- 1 2 2 3	1 - 2 2 3	Hood (Silver Series) Hood (Display) Screw # 8-32 x .375" Nut #8-32 Washer
5	39955.1000 01360.0001 40608.0000	1 2 2	- - -	Display Board Screw # 8-32 x .375" Washer
6	40201.0000 40202.0000	- 1	1 -	Decal, Silver Series Decal, Display Series
7	40310.0000	-	1	Switch, Enable Brew ON/OFF
8	40298.0000	-	1	LED
9	40309.0000	-	1	Switch, Brew Start
10	38316.1000	1	1	Air Pump (Includes 2 Cable Ties)
11	39984.1000 ----- 39984.1001 -----	1 1 1 1	1 1 1 1	Vent Solenoid (Includes Cable Ties) Early Style Cable Tie (Purchase locally) Vent Solenoid (Includes Cable Ties) Later Style Cable Tie (Purchase locally)
12	-----	1	1	Tube .125" ID x 6.0" LG (Order # 23, cut as needed)
13	-----	2	2	Tube .188" ID x 4.0" LG (Order # 24, cut as needed)

The Following Items Are Not Illustrated

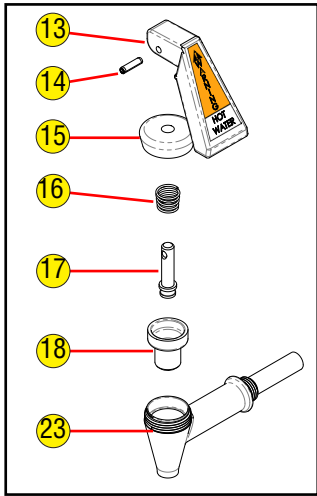
14	36671.0003	1	-	Decals, Flavor/Batch	
15	40167.0001	1	1	Wiring Harness, CBA To Vent, Pump, Level Probe	
16	40168.0001	-	1	Wiring Harness, CBA To Switches	
17	40173.0000 40173.0001 40173.0002	1 1 1	1 1 1	Wiring Harness, Main 120V (Includes 1 Limit Thermostat) Wiring Harness, Main 230V (Includes 2 Limit Thermostats) Wiring Harness, Main 120V/240V (Includes 1 Limit Thermostat)	
18	40378.0001	1	-	Wiring Harness, CBA To Display Board	
19	49085.0000	-	-	Wiring Harness, CBA to Relay	} COMBO MODELS ONLY
20	49086.0000	-	-	Wiring Harness (Black Lead), Relay to Inlet Valve	
21	49087.0000	-	-	Wiring Harness (Black Lead), CBA to Relay	
22	49088.0000	-	-	Wiring Harness (White Lead), Inlet Valve to Inlet Valve	
23	36630.1000 36630.1001 36630.1002	- - -	- - -	Tube, Bulk .125" ID x 1 Foot Tube, Bulk .125" ID x 3 Feet Tube, Bulk .125" ID x 10 Feet	
24	36631.1000 36631.1001 36631.1002	- - -	- - -	Tube, Bulk .188" ID x 1 Foot Tube, Bulk .188" ID x 3 Feet Tube, Bulk .188" ID x 10 Feet	

* Indicates the part number listed is for reference only. See DESCRIPTION for possible service replacement.

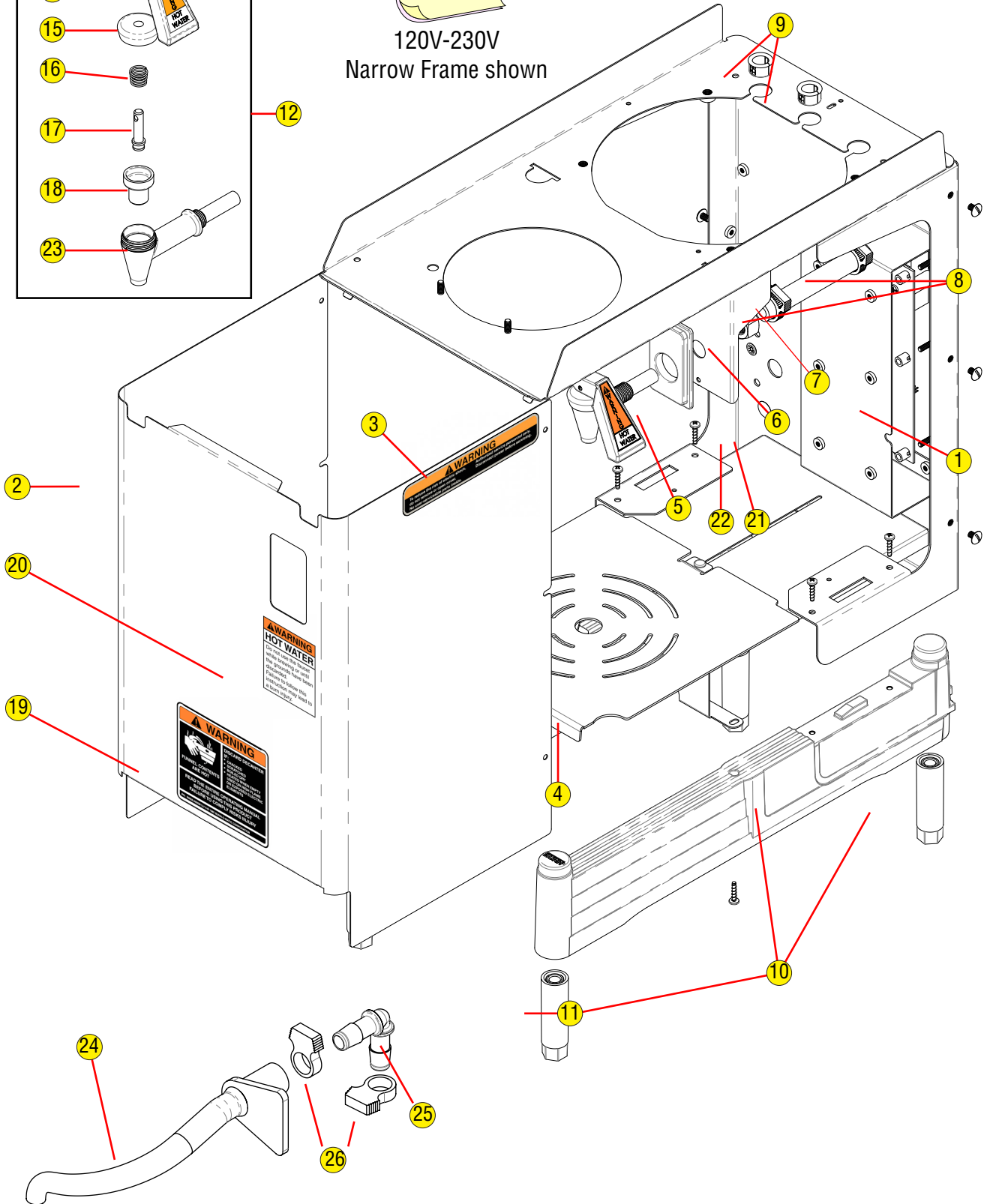


TRUNK, FAUCET & BASE

SMART
WAVE™



Note
120V-230V
Narrow Frame shown



TRUNK, FAUCET & BASE

ITEM	PART NO.	QTY. DISPLAY	QTY. SILVER	DESCRIPTION
1	39658.1002	1	1	Control Board Assy. 120V
	39658.1003	1	1	Control Board Assy. 240V RoHS
	39658.1005	1	1	Control Board Assy. 120V RoHS Combo Only
	29081.0002	6	6	Spacer
	02367.0000	6	6	Screw Truss head #6-32 x .625"
2	40153.1000	1	1	Front Cover w/Decals (Narrow)
	41691.1000	1	1	Front Cover w/Decals (Wide)
	41691.1001	1	1	Front Cover w/Decals (Wide) w/o Faucet Hole
	01308.0000	6	6	Screw Truss head #6-32 x .25"
3	37881.0002	1	1	Decal, No User Serviceable Parts
4	40273.0000	1	1	Booster Plate (Narrow)
	40273.0001	1	1	Booster Plate (Wide)
5	39974.0000	1	1	Bezel, Faucet
	40374.0000	2	2	Ring, Self Locking
6	29264.0000	1	1	Nut, Faucet
7	-----	1	1	Tube, Tank to Faucet .313" ID x 3.5" (Order # 29)
	-----	1	1	Tube, Inlet to Dilution .313" ID x 18.0" (Combo Only) (Order # 29)
8	12422.0006	2	2	Clamp, SNP - 8
9	00614.0000	2	2	Bushing
10	39703.1000	2	2	Leg Assy. (Includes 2 Feet Assy.)
	44646.0001	6	6	Screw, Tapping Pan head #6 x .6"
11	39667.0000	4	4	Foot Assy.
12	40293.0000	1	1	Faucet Assy.
13	02861.0003	1	1	Handle
14	02858.0000	1	1	Pin
15	02854.0000	1	1	Bonnet
16	02595.0000	1	1	Spring
17	13054.0000	1	1	Stem
18	02766.0000	1	1	Seat Cup
19	00658.0000	1	1	Decal, Warning-Decanter/Funnel
20	42878.0000	1	1	Decal, Warning-Hot Water Faucet
21	00970.0000	1	1	Keps Nut #8-32, Ground Wire
22	00824.0002	1	1	Decal, Ground
23	-----	1	1	Body, Faucet
24	55250.0000	-	-	Tube, Dilution (Combo Only)
25	37850.0000	-	-	Fitting, Elbow (Combo Only)

Continued on next page

* Indicates the part number listed is for reference only. See DESCRIPTION for possible service replacement.

TRUNK, FAUCET & BASE

ITEM	PART NO.	QTY. DISPLAY	QTY. SILVER	DESCRIPTION
26	12422.0001	-	-	Clamp, SNP - 10 (Combo Only)

The Following Items Are Not Illustrated

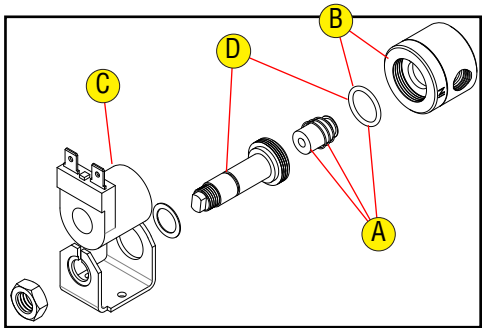
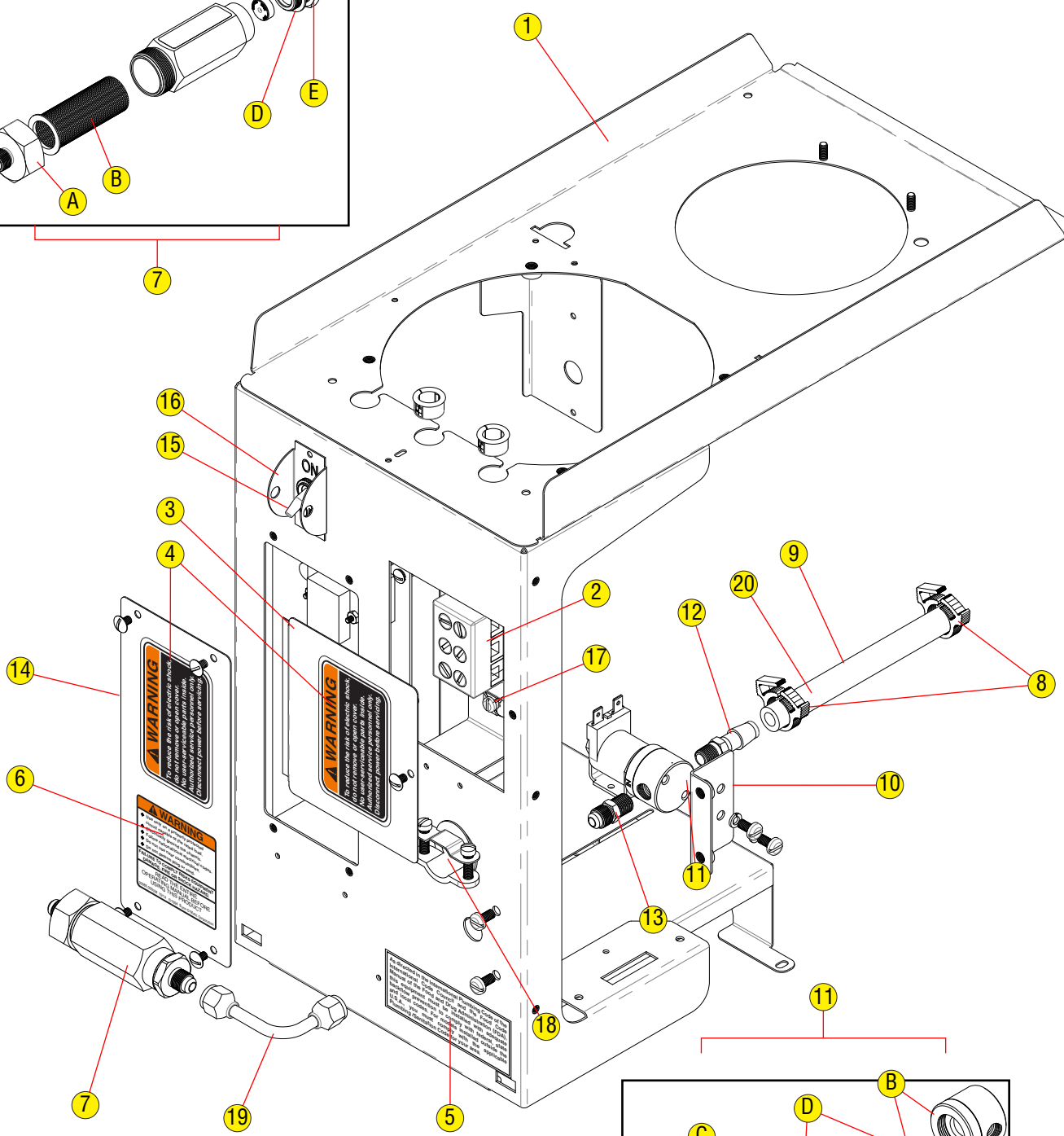
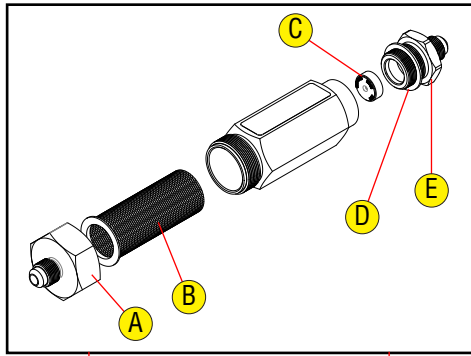
29	28526.1000	-	-	Tube, .313" ID x 12" LG
	28526.1001	-	-	Tube, .313" ID x 36" LG
	28526.1002	-	-	Tube, .313" ID x 60" LG
	28526.1003	-	-	Tube, .313" ID x 120" LG

* Indicates the part number listed is for reference only. See DESCRIPTION for possible service replacement.



REAR FRAME & INLET - FIRST STYLE

SMART
WAVE™



Note
120V/240V
Frame shown

REAR FRAME & INLET - FIRST STYLE

ITEM	PART NO.	QTY.		DESCRIPTION
		DISPLAY	SILVER	
1	-----	1	1	Frame Assy. 120V & 230V Narrow Models (No longer available)
	-----	1	1	Frame Assy. 120V/240V Narrow Models (Illustrated) (No longer available)
2	07038.0000	1	1	terminal Block 120V/240V Models Only
	01317.0000	2	2	Screw, Truss Head #8-32 x .5"
3	40739.1000	1	1	Cover, Term. Block Access 120V/240V Models Only (Includes Decal)
	01308.0000	1	1	Screw, Truss Head #6-32 x .25"
4	37881.0000	2	2	Decal, No User Serviceable Parts (1 less used on 120V)
5	00656.0001	1	1	Decal, Comply to Plumbing Code
6	00986.0000	1	1	Decal, Warning-Electrical
7	22300.0222	1	1	Strainer/Flow Control .222 GPM
A	22249.0000	1	1	Cap .25" Flare
B	23721.0000	1	1	Screen
C	20526.1222	1	1	Flow Washer .222 GPM
D	01155.0000	1	1	Gasket
E	01154.0001	1	1	Outlet .25" Flare
8	12422.0006	2	2	Clamp, SNP-8
9	-----	1	1	Tube, .313" ID x 5.5" LG (Order # 29 on page 9)
10	36996.0001	1	1	Bracket
	01327.0000	2	2	Screw, Pan Head #10-32 x .375"
11	01085.0002	1	1	Solenoid Assy. 120V
	01085.0005	1	1	Solenoid Assy. 230V
	01327.0000	2	2	Screw, Pan Head #10-32 x .375"
	01502.0000	2	2	Lockwasher
A	01111.0002	1	1	Repair Kit (Plunger, Spring, O-ring)
B	28479.0000	1	1	Base/O-Ring Kit
C	28480.0000	1	1	Coil, 120VAC
D	28481.0000	1	1	Guide/O-Ring Kit
12	40343.0000	1	1	Fitting
13	00402.0001	1	1	Fitting
14	40179.1000	1	1	Cover, Board Access 120V & 230V Models
	40179.1001	1	1	Cover, Board Access 120V/240V Models Only (Illustrated)
	01308.0000	4	4	Screw, Truss Head #6-32 x .25"
15	40763.0001	1	1	Toggle Switch, DPST, Main ON/OFF (120V/240V Only)
16	25102.0000	1	1	Bracket, Switch Gaurd (120V/240V Only)
17	37804.0000	1	1	Ground Screw #8-32 x .5" (120V/240V Models Only)
18	01590.0000	1	1	Connector, Cord
19	00310.0000	1	1	Tube Assembly
20	36379.0001	1	1	Valve, Check 2.5 Psi (CE Models Only)

} Includes Decals

The Following Items Are Not Illustrated

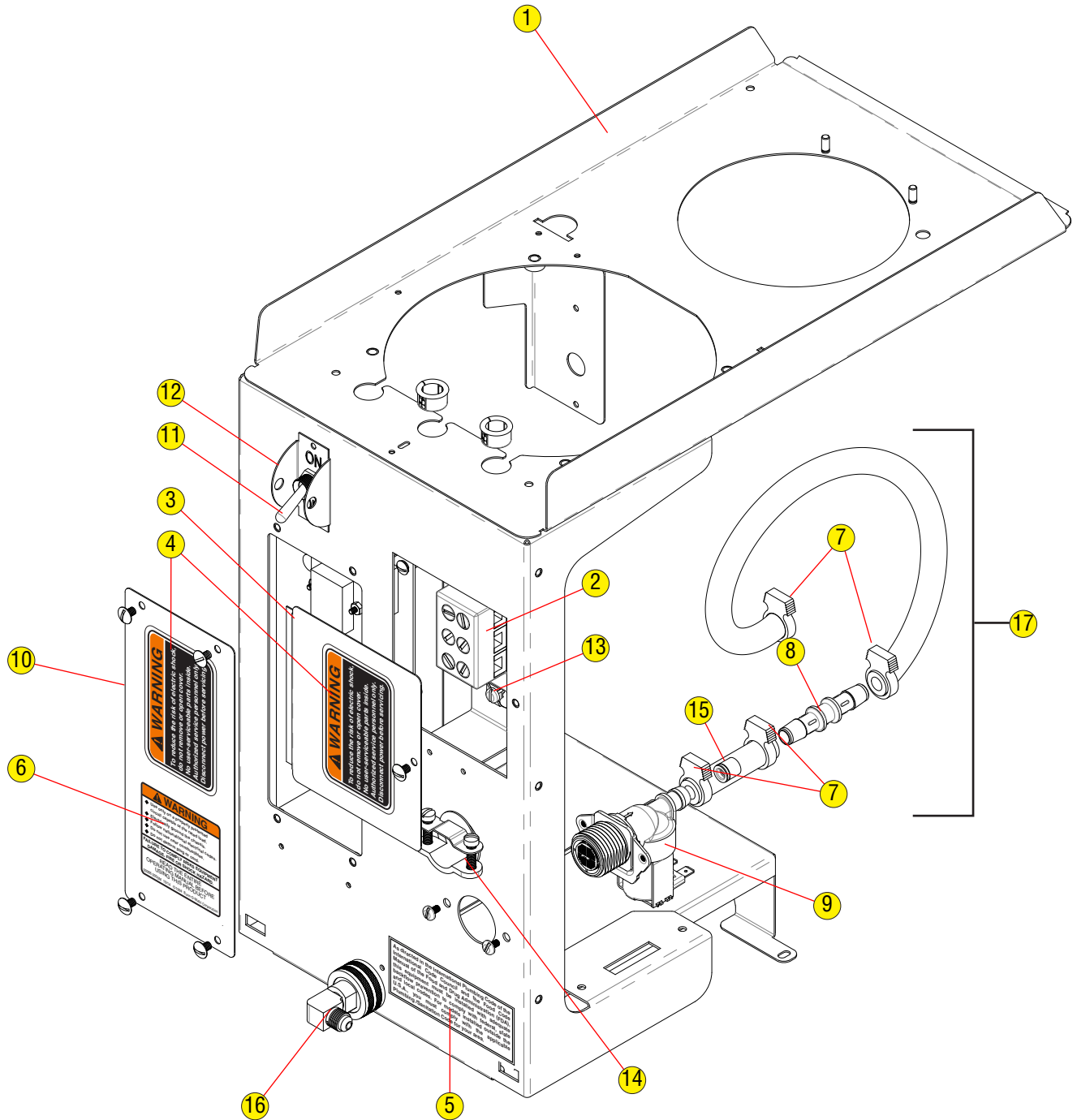
21	36381.0005	1	1	Power Cord, 120V
	36381.0006	1	1	Power Cord, 230V

* Indicates the part number listed is for reference only. See DESCRIPTION for possible service replacement.



REAR FRAME & INLET - SECOND STYLE

SMART
WAVE™



120V/240V
Frame shown

REAR FRAME & INLET - SECOND STYLE

ITEM	PART NO.	QTY.		DESCRIPTION
		DISPLAY	SILVER	
1	-----	1	1	Frame Assy. 120V & 230V Narrow Models (No longer available)
	-----	1	1	Frame Assy. 120V/240V Narrow Models (Illustrated) (No longer available)
	-----	1	1	Frame Assy. 120V Wide Models Only (Not available)
	-----	1	1	Frame Assy. 120V/240V & 230V Wide Models Only (Not available)
	-----	1	1	Frame Assy. 230V (IRAM) Wide Models Only (Not available)
	-----	1	1	Frame Assy. 120V Combo Models Only (Not available)
	-----	1	1	Frame Assy. 230V (CE) Wide Models Only (Not available)
2	07038.0000	1	1	terminal Block 120V/240V Models Only
	01317.0000	2	2	Screw, Truss Head #8-32 x .5"
3	40739.1000	1	1	Cover, Term. Block Access 120V/240V Models Only (Includes Decal)
	01308.0000	1	1	Screw, Truss Head #6-32 x .25"
4	37881.0000	2	2	Decal, No User Serviceable Parts (1 less used on 120V)
5	00656.0001	1	1	Decal, Comply to Plumbing Code
6	00986.0000	1	1	Decal, Warning-Electrical
7	12422.0006	4	4	Clamp, SNP-8
8	45313.0000	1	1	Connector, Union .375" X .375" - Kynar
9	40693.1000	1	1	Inlet Valve Assy, 120V W/FLO CTL
	40693.1001	1	1	Inlet Valve Assy, 230V W/FLO CTL
	40693.1004	1	1	Inlet Valve Assy, 100V W/FLO CTL
	49084.0000	1	1	Inlet Valve Assy, 120V W/FLO CTL (Combo Tea Brewer Only)
	32283.0000	2	2	Screw, SST SLTD PNH M4 X 6MM
	46884.0000	1	1	Strainer
10	40179.1000	1	1	Cover, Board Access 120V & 230V Models
	40179.1001	1	1	Cover, Board Access 120V/240V Models Only (Illustrated)
	01308.0000	4	4	Screw, Truss Head #6-32 x .25"
11	40763.0001	1	1	Toggle Switch, DPST, Main ON/OFF (120V/240V Only)
12	25102.0000	1	1	Bracket, Switch Guard (120V/240V Only)
13	37804.0000	1	1	Ground Screw #8-32 x .5" (120V/240V Models Only)
14	01590.0000	1	1	Connector, Cord
15	36379.0001	1	1	Valve, Check
16	37297.0006	1	1	Elbow
17	41716.1002	1	1	Kit, Tube Assy W/Check Valve & Connector

The Following Items Are Not Illustrated

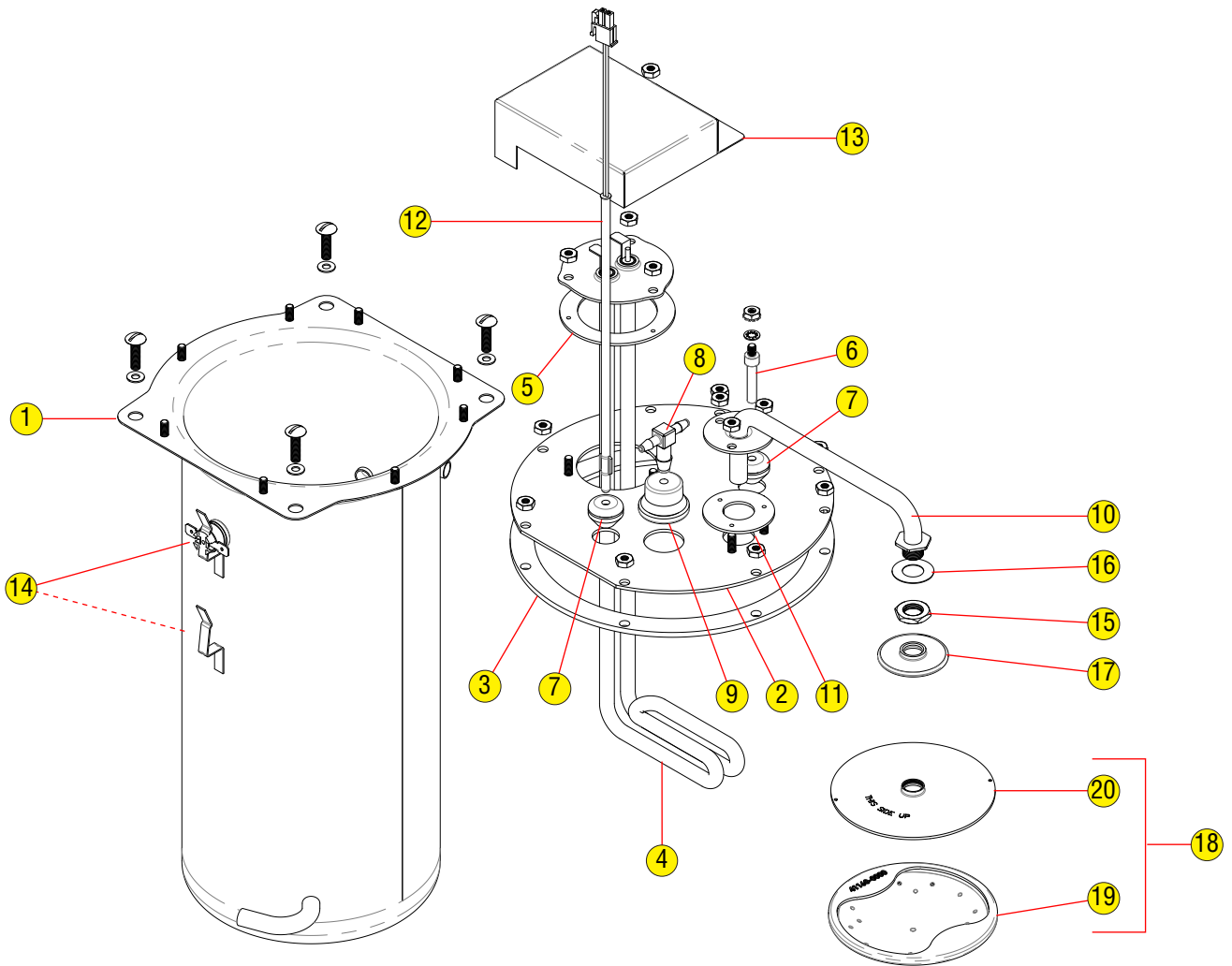
18	36381.0005	1	1	Power Cord, 120V
	36381.0006	1	1	Power Cord, 230V
19	29446.0001	1	1	EMI Filter 10A
	01311.0000	2	2	Screw, TRH SLTD SST 8-32 x ¼
	00970.0000	2	2	Keps Nut, 8-32
20	34707.0011	1	1	Wiring Harness, EMI to CBA

* Indicates the part number listed is for reference only. See DESCRIPTION for possible service replacement.



TANK AND COMPONENTS

SMART
WAVE™



TANK AND COMPONENTS

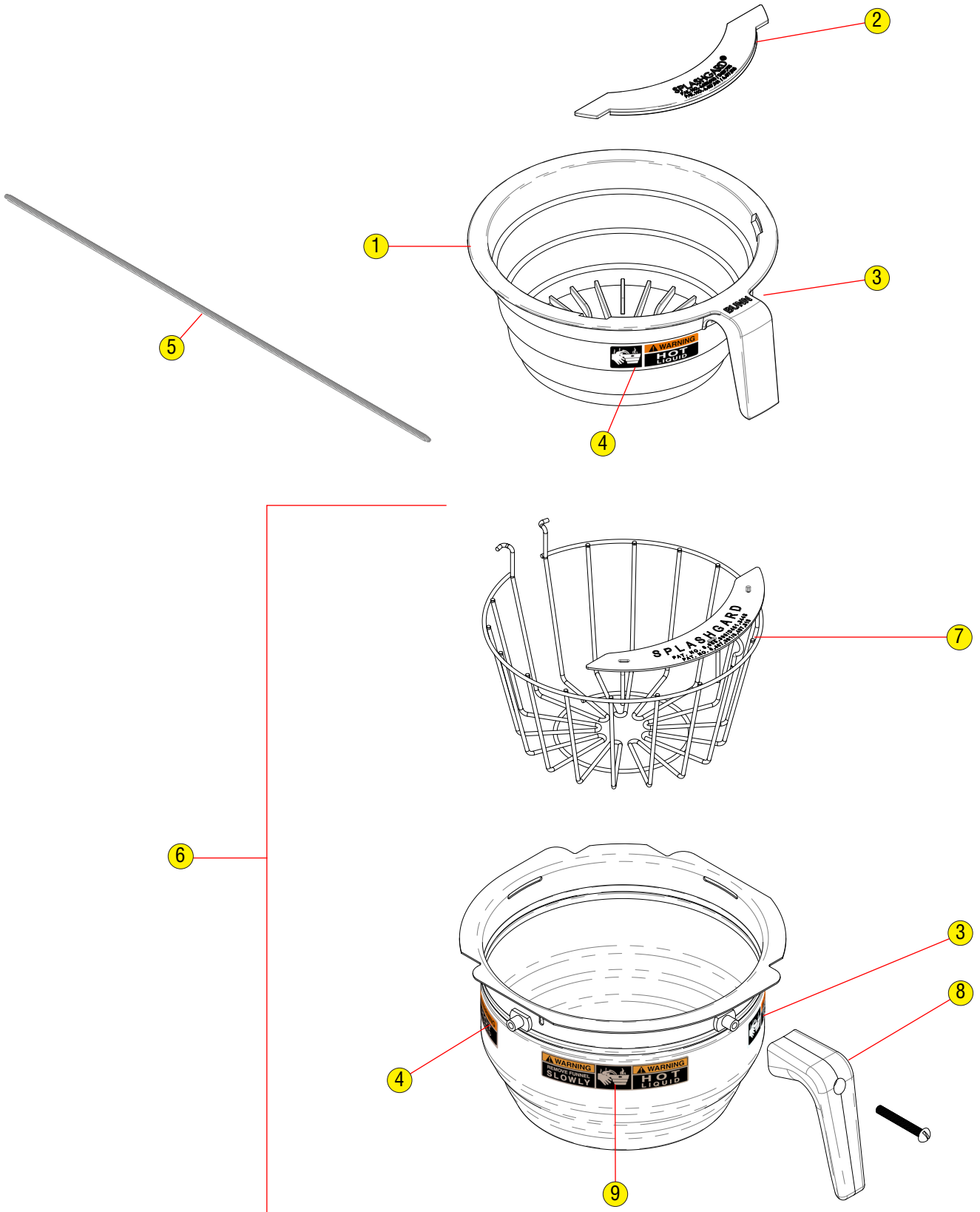
ITEM	PART NO.	QTY. DISPLAY	QTY. SILVER	DESCRIPTION	
1	04118.0005 01326.0007 01501.0000	1 4 4	1 4 4	Tank, Screw #10-32x.625" Washer	
2	40141.0001 00908.0000	1 8	1 8	Tank Lid, Nut #8-32	
3	04221.0000	2	1	Gasket, Tank Lid	
4	39294.1000 39294.1001 39294.1002 00908.0000	1 1 1 3	1 1 1 3	Tank Heater 1850W, 230V (Includes Gasket) Tank Heater 1250W, 100V (Includes Gasket) Tank Heater 1320W, 120V (Includes Gasket) Nut #8-32	
5	39590.0000	1	1	Gasket, Tank Heater	
6	40288.1000 20203.0100 00908.0000	1 1 3	1 1 3	Probe Kit, Liquid Level (Includes Nut & Washer) Lock Washer Nut #8-32	
7	33201.0000	2	2	Grommet, Probes	
8	40287.0000	1	1	Tee Fitting	
9	33801.0003	1	1	Grommet, Tee	
10	40160.1000 00908.0000	1 3	1 3	Tube Assy., Sprayhead Nut #8-32	
11	05515.0000	1	1	Gasket, Sprayhead Tube	
12	38855.0001	1	1	Probe, Temperature Sensor	
13	40176.0000	1	1	Cover, Tank Heater	
14	29329.1000 37188.0000	1 2	1 2	Thermostat, Limit 120V, 120/240V (Auto Reset) Thermostat, Limit 230V, (One Shot)	} Also Included in Main Harness
15	01075.0000	1	1	Nut, Sprayhead .438-20	
16	01527.0000	1	1	Washer	
17	01082.0000	1	1	Sprayhead, 6-.078 (Standard)	
18	41160.1000	1	1	Sprayhead Assy, Flexible 17 Hole	
19	41160.0000	1	1	Sprayhead, Flexible 17 Hole	
20	35070.0001	1	1	Sprayhead Back	
The Following Items Are Not Illustrated					
21	40291.1000 40291.1001 40291.1003	1 1 1	1 1 1	Tank Kit, 1320W, 120V, (Includes 1-5 & 7-11) Tank Kit, 1850W, 220V, (Includes 1-5 & 7-11) Tank Kit, 1250W, 100V, (Includes 1-5 & 7-11)	

* Indicates the part number listed is for reference only. See DESCRIPTION for possible service replacement.



FUNNELS

SMART
WAVE™



FUNNELS

ITEM	PART NO.	QTY. DISPLAY	QTY. SILVER	DESCRIPTION
1	20583.0003 03021.0016	1 -	1 -	Funnel Assembly, Coffee (Includes decals & splashgard) Funnel Assembly, Tea (Includes decals & splashgard)
2	32964.0000	1	1	Splashgard
3	03408.0002	1	1	Decal, Warning-Remove Funnel Slowly
4	03409.0002	1	1	Decal, Warning-Hot Liquid
5	01188.0000	1	1	Deliming Spring
6	34559.0000	1	1	Funnel Assembly, Gourmet
7	34546.0000	1	1	Basket
8	20244.1000 01331.0002	1 1	1 1	Handle Screw, #10-32x1.5"
9	28694.0000	1	1	Decal, Warning-Remove Funnel Slowly

NUMERICAL INDEX

PART NO.	PAGE NO.	PART NO.	PAGE NO.	PART NO.	PAGE NO.	PART NO.	PAGE
00310.0000	11	04118.0005	15	37804.0000	11	40378.0001	5
00402.0001	11	04221.0000	15	37804.0000	13	40405.0001	5
00463.0000	9	05515.0000	15	37881.0000	11	40405.0002	5
00614.0000	7	07038.0000	11	37881.0000	13	40405.0003	5
00656.0001	11	07038.0000	13	37881.0002	5	40405.0004	5
00656.0001	13	12422.0001	9	37881.0002	7	40608.0000	5
00658.0000	7	12422.0006	11	38316.1000	5	40693.1000	13
00824.0002	7	12422.0006	13	38855.0001	15	40693.1001	13
00908.0000	15	12422.0006	7	39294.1000	15	40693.1004	13
00908.0000	15	13054.0000	7	39294.1001	15	40739.1000	11
00908.0000	15	20203.0100	15	39294.1002	15	40739.1000	13
00908.0000	15	20244.1000	17	39590.0000	15	40763.0001	11
00908.0000	5	20526.1222	11	39658.1002	7	40763.0001	13
00970.0000	7,13	20583.0003	17	39658.1003	7	41160.0000	15
00986.0000	11	22249.0000	11	39658.1005	7	41160.1000	15
00986.0000	13	22300.0222	11	39661.0000	5	41691.1000	7
01075.0000	15	23721.0000	11	39661.0001	5	41691.1001	7
01082.0000	15	25102.0000	11	39667.0000	7	41716.1002	13
01085.0002	11	25102.0000	13	39703.1000	7	42878.0000	7
01085.0005	11	28479.0000	11	39955.1000	5	44646.0001	5
01111.0002	11	28480.0000	11	39974.0000	7	44646.0001	7
01154.0001	11	28481.0000	11	39984.1000	5	44865.0000	7
01155.0000	11	28526.1000	9	39984.1001	5	45313.0000	13
01188.0000	17	28526.1001	9	40125.0006	13	46884.0000	13
01308.0000	11	28526.1002	9	40141.0001	15	47304.0000	7
01308.0000	11	28526.1003	9	40152.1000	5	49084.0000	13
01308.0000	13	28694.0000	17	40153.1000	7	49085.0000	5
01308.0000	13	29081.0002	7	40160.1000	15	49086.0000	5
01308.0000	7	29264.0000	7	40167.0001	5	49087.0000	5
01311.0000	13	29329.1000	15	40168.0001	5	49088.0000	5
01317.0000	11	29446.0001	13	40173.0000	5		
01317.0000	13	32283.0000	13	40173.0001	5		
01326.0007	15	32964.0000	17	40173.0002	5		
01327.0000	11	33201.0000	15	40176.0000	15		
01327.0000	11	33801.0003	15	40179.1000	11		
01331.0002	17	34546.0000	17	40179.1000	13		
01360.0001	5	34559.0000	17	40179.1001	11		
01360.0001	5	34707.0011	13	40179.1001	13		
01501.0000	15	35070.0001	15	40187.0001	9		
01501.0000	5	36379.0001	11,13	40201.0000	5		
01502.0000	11	36381.0005	11	40202.0000	5		
01527.0000	15	36381.0005	13	40273.0000	7		
01532.0000	9	36381.0006	11	40273.0001	7		
01590.0000	11	36381.0006	13	40287.0000	15		
01590.0000	13	36630.1000	5	40288.1000	15		
02367.0000	7	36630.1001	5	40291.1000	15		
02595.0000	7	36630.1002	5	40291.1001	15		
02766.0000	7	36631.1000	5	40291.1003	15		
02854.0000	7	36631.1001	5	40293.0000	7		
02858.0000	7	36631.1002	5	40298.0000	5		
02861.0003	7	36671.0003	5	40309.0000	5		
03021.0016	17	36996.0001	11	40310.0000	5		
03408.0002	17	37188.0000	15	40343.0000	11		
03409.0002	17	37297.0006	13	40374.0000	7		

