

ILLUSTRATED PARTS CATALOG

Designs, materials, weights, specifications, and dimensions for equipment or replacement parts are subject to change without notice.

Bunn-O-Matic Corporation

Post Office Box 3227, Springfield, Illinois 62708-3227

Phone (217) 529-6601 | Fax (217) 529-6644

Technical Support Phone (800) 420-2866

BUNN-O-MATIC COMMERCIAL PRODUCT WARRANTY

Warranty statements and information can be found on our website. Please visit <https://commercial.bunn.com/support/warranty-lookup> for further details.

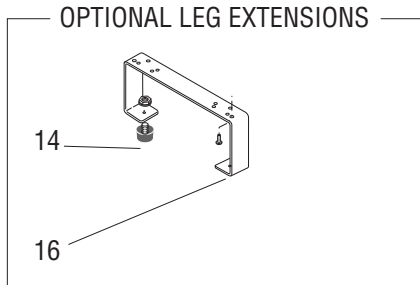
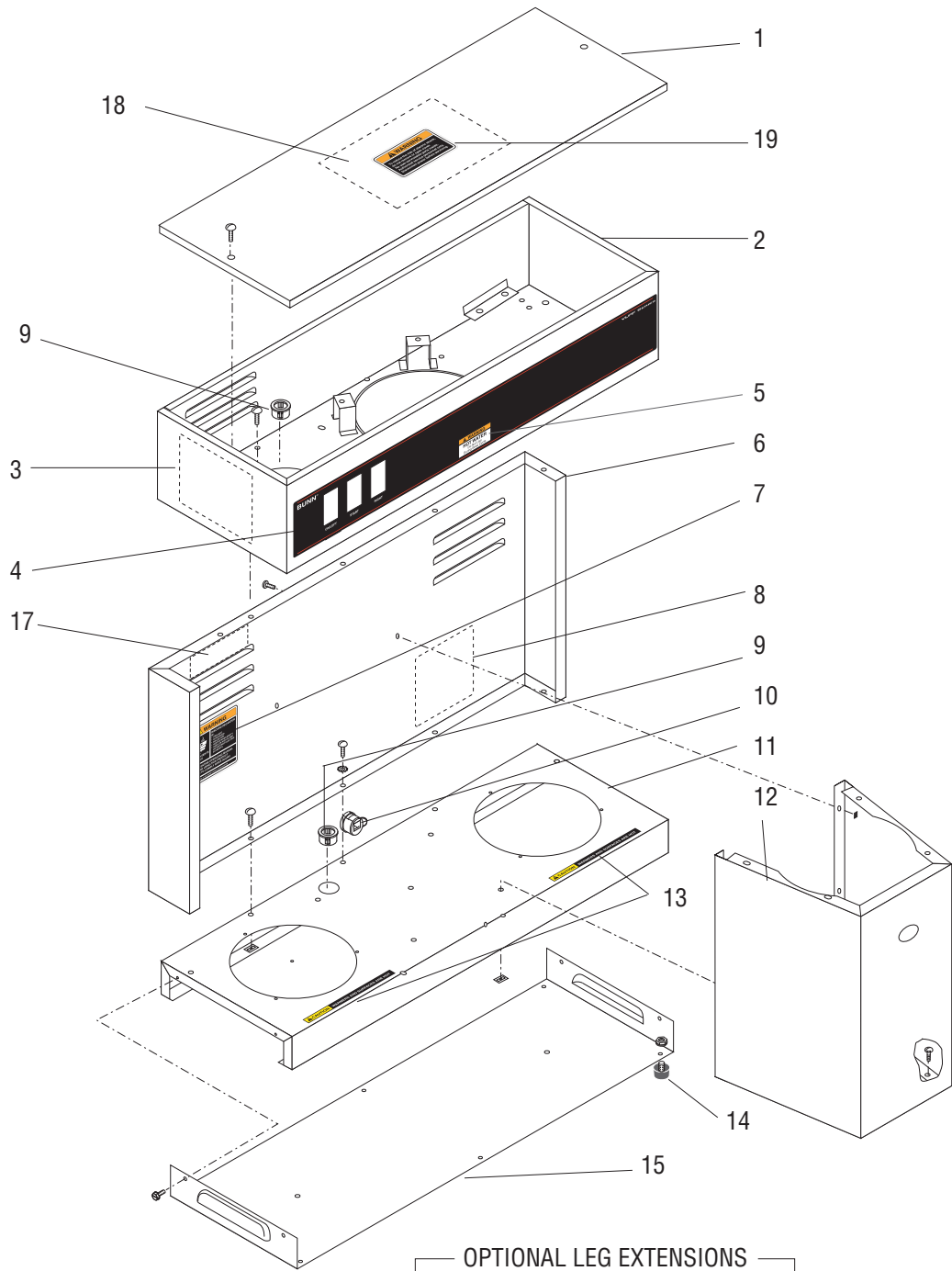
TABLE OF CONTENTS

Housing & Covers	4
Tank & Components.....	6
Strainer/Flow Control, Inlet Valve & Faucet.....	8
Electrical & Operating Controls	12
Warmer Assemblies	14
Funnels & Basket	16



HOUSING & COVERS

VLPF



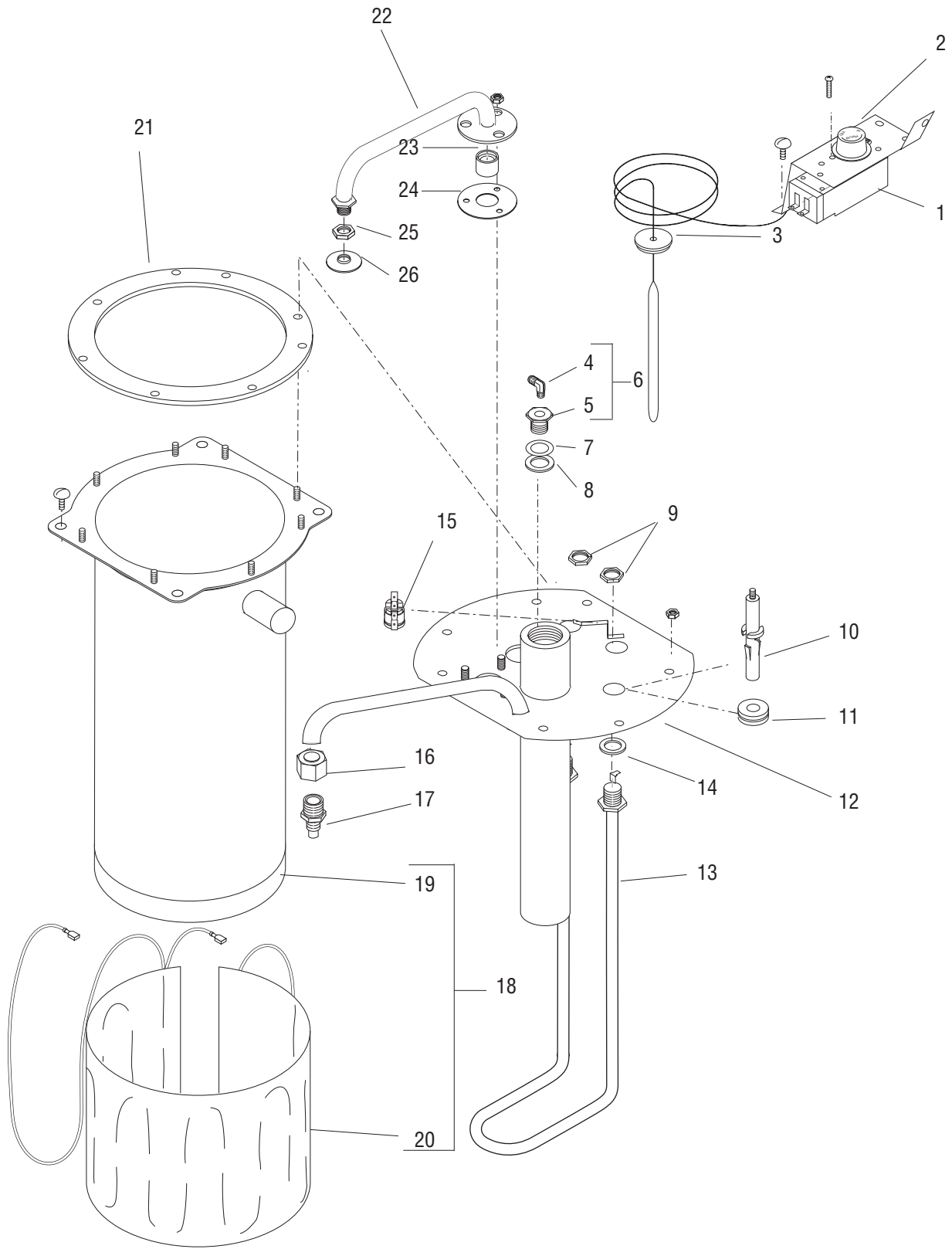
HOUSING & COVERS

ITEM	PART NO.	QTY.	DESCRIPTION
1	07408.0000	1	Cover, Top
	01303.0000	2	Screw, PNH Sltd, SST 4-40 x .50"
2	07406.1000	1	Housing , Hood(Includes items 3 thru 5)
	01311.0000	9	Screw, Truss Head (SST) 8-32 x .25"
	00978.0000	8	Fastener, Flat Type (SST) 8-32
	00970.0000	1	Nut, Keps - SST 8-32
3	10178.0000	1	Schematic, Elec 120V VLPF
4	22124.0000	1	Decal, Control Panel
5	42878.0000	1	Decal, Warning Hot Water (FCT)
6	25154.0001	1	Panel W/Decals, Trunk Rear - BLK (Includes items 7 & 8)(Also order Item 17)
	01311.0000	5	Screw, Truss Head (SST) 8-32 x .25"
	00978.0000	4	Fastener, Flat Type (SST) 8-32
	00908.0000	1	Nut, Hex - SST 8-32.
7	00658.0000	1	Decal, Caution - Decanter/Funnel
8	00831.0000	1	Decal, Warning - Electrical
9	01663.0000	2	Bushing, Snap - .875" Dia.
10	01686.0000	1	Bushing, Strain Relief - Nylon
11	04273.1000	1	Housing, Base(Includes item 13)
12	37454.0001	1	Housing, Trunk Front (BLK)
	01311.0000	6	Screw, Truss Head (SST) 8-32 x .25"
	00916.0000	6	Fastener, J-Type 4-40.025 Gap
13	12364.0000	2	Decal, Caution - Warmers are Hot
14	04198.0001	1	Foot, Kit Blk SBR - .75" OD x .48" HT #6 (Set of 4)
15	04203.0000	1	Cover, Base
	02332.0002	6	Screw, Hex-Crimptite 6-32 x .38"
16	02776.0000	2	Leg Extensions - 3.5" HT (Optional)
	02332.0002	4	Screw, Hex-Crimptite 6-32 x .38"
17	00656.0001	1	Decal, Comply to Plumbing Code
18	32540.0000	1	Decal, Timer Adjustment
19	37881.0000	1	Decal, No Serviceable Parts



TANK & COMPONENTS

VLPF



TANK & COMPONENTS

ITEM	PART NO.	QTY.	DESCRIPTION
-	07409.0000	1	Tank Assy, 1320 Watt 120V (Includes items 6-16, 18-21 and 26)
	01315.0000	2	Screw, Truss Head (SST) 8-32 x.38"
1	04314.0001	1	Thermostat Kit (Includes items 2 & 3)
	20762.0000	2	Screw, Binding Head 8-32 x .25" (Terminal Screws)
2	00720.0000	1	Knob, Thermostat
3	07073.1000	1	Grommet, Thermostat
4	00400.0001	1	Elbow, Male - TNPL .25" FLR x .12MPT
5	00948.0000	1	Fitting Inlet .750-16 x .125" FPT
6	00460.0000	1	Fitting Assy, Tank Inlet (Includes items 4 & 5)
7	01540.0000	1	Washer, SST - .750" ID x 1.0" OD x .01
8	01201.0000	1	Gasket, Tank Inlet -Silicone
9	00942.0000	2	Nut, Hex - Brass .50" -20
10	07412.1000	1	Probe Kit, Liquid Level
	01501.0000	1	Washer
	20203.0100	1	Lockwasher #8
	00908.0000	1	Nut #8-32
11	02536.0000	1	Grommet, Silicone
12	07435.0000	1	Tank Lid Assy, W/intake tube (See Tank & Components- Later Style, Item 12)
	00908.0000	8	Nut, Hex 8-32
13	04236.1000	1	Tank Heater Kit 1320W 120V (Includes item 14)
14	00943.0000	2	Gasket, Tank Heater
15	29329.1000	1	Thermostat, Limit - 230F - 17A
16	00929.0001	1	Nut/Sleeve
17	07401.0000	1	Fitting, Air Vent
18	07431.0000	1	Tank w/Blanket Warmer 120V (Includes items 18 & 19)
19	07432.0000	1	Tank (12.25" HT W/Fct Ftg)
20	04260.0000	1	Blanket Warmer, 50W 120V
21	04221.0000	1	Gasket, Tank Lid
22	05555.0002	1	Sprayhead Tube Kit (See Tank & Components - Later Style, Item 24)
	00908.0000	3	Nut, Hex 8-32
23	05518.0000	1	Hub, Syphon
24	05515.0000	1	Gasket, Sprayhead Tube
25	01075.0000	1	Nut, Hex .438" - 20
26	01082.0000	1	Sprayhead, 6-Hole
	01082.0005	1	Sprayhead, 5-Hole (Optional)
	01082.0006	1	Sprayhead, 1-Hole (Optional-Pouch Pack)
27	21016.0008	1	Lead, Elec - Blk 4" Limit Thermo to Tank Heater

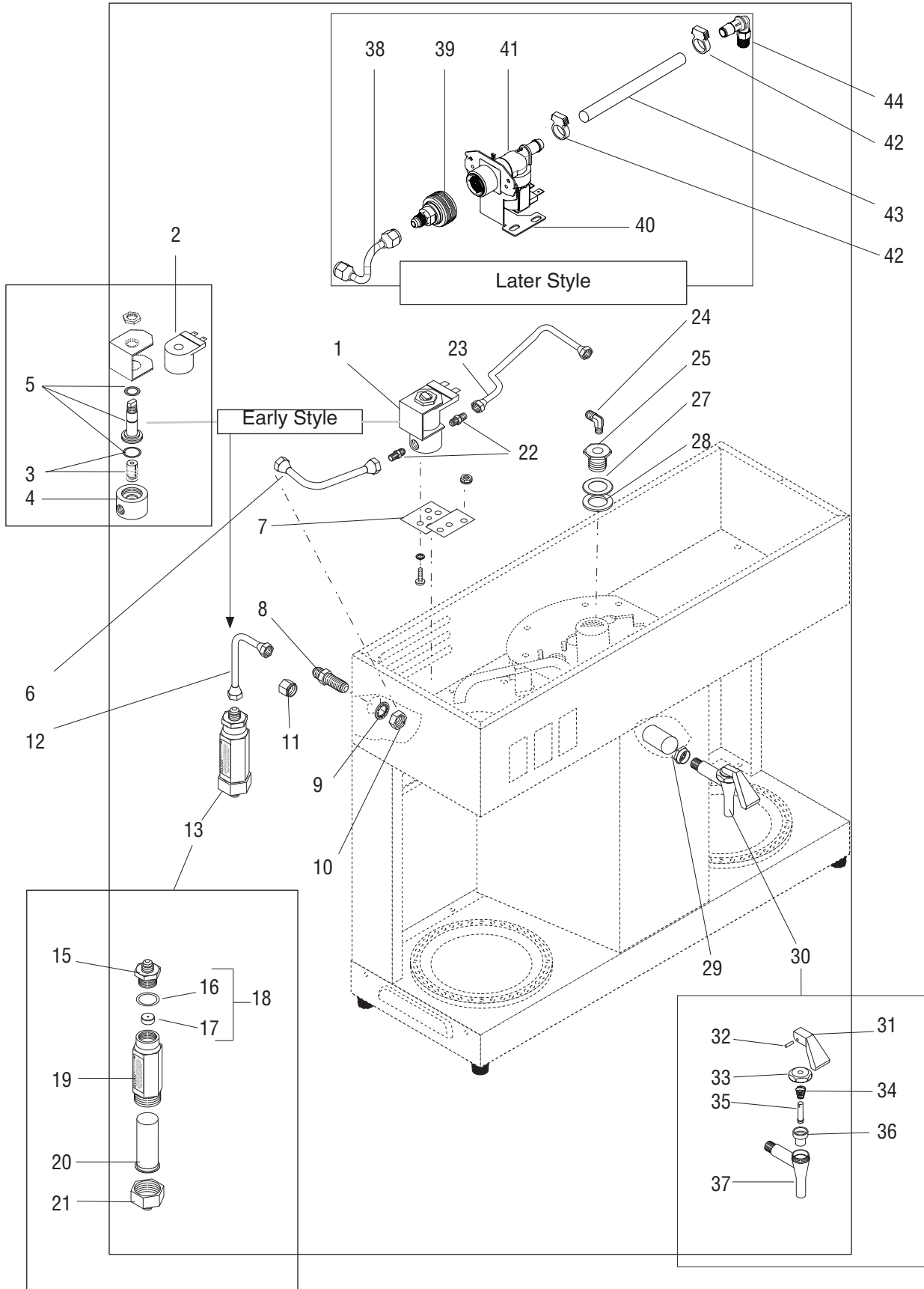
Note: The following items are not illustrated



STRAINER/FLOW CONTROL, INLET VALVE & FAUCET

VLPF

(continued)



P1965

STRAINER/FLOW CONTROL, INLET VALVE & FAUCET

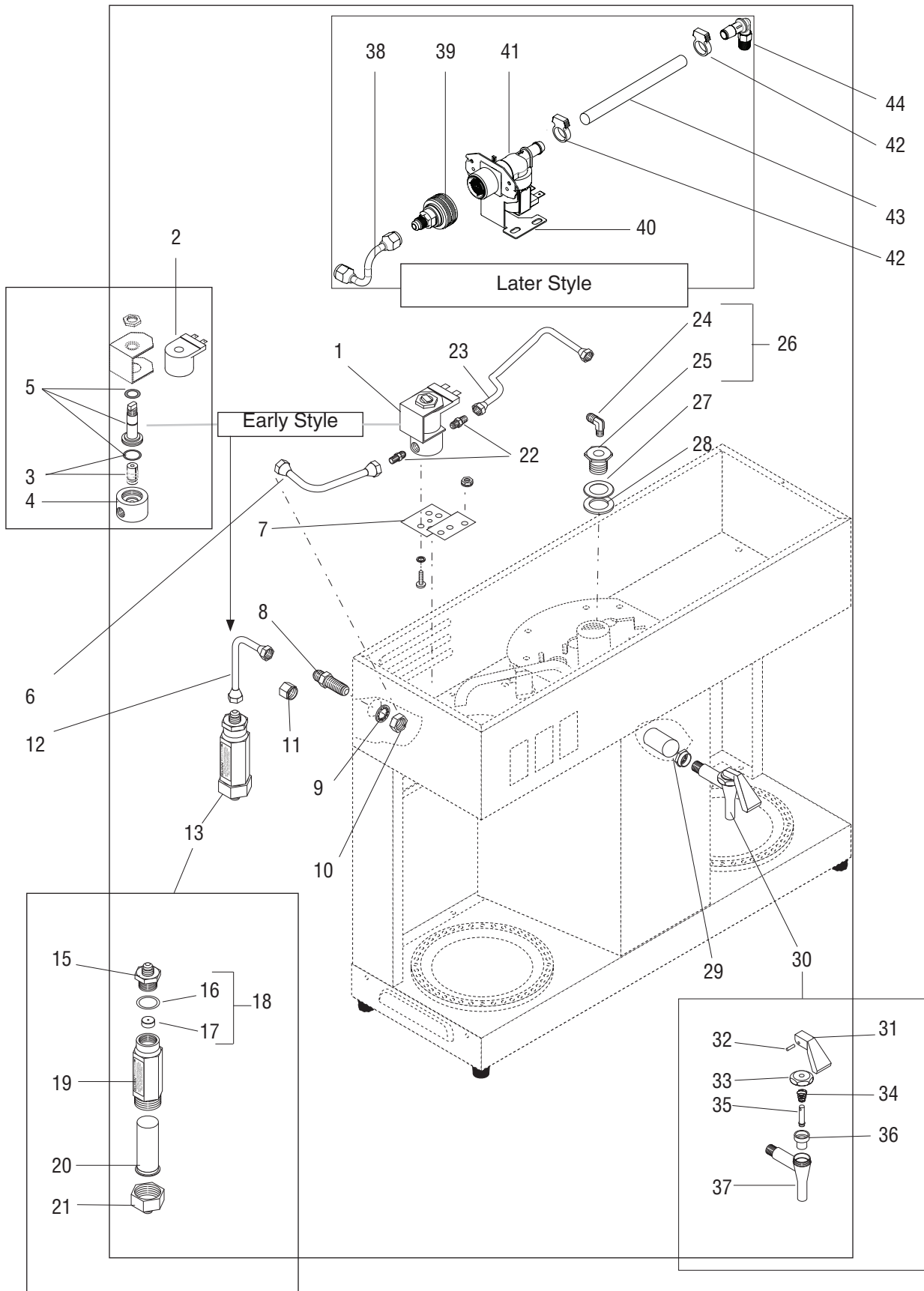
ITEM	PART NO.	QTY.	DESCRIPTION
1	01085.0002	1	Solenoid, 120V 1" Dia. Coil (Includes items 2 thru 5)
	01327.0000	2	Screw #10-32 x .375"
	01502.0000	2	Lockwasher #10
2	28480.0000	1	Coil 120V
3	01111.0002	1	Solenoid Valve Repair Kit 120V
4	28479.0000	1	Base Kit (Includes O-Ring)
5	28481.0000	1	Guide Kit 120V (Includes Washer and O-Ring)
6	00310.0000	1	Tube Assy (Solenoid to Bulkhead)
7	07441.0000	1	Bracket, Solenoid/Relay Mtg
	00970.0000	2	Nut, Keps #8-32 Zinc Pl
8	00459.0000	1	Fitting, Bulkhead .25" FLR
9	01532.0000	1	Lockwasher, Internal Tooth .438"
10	00463.0000	1	Nut, Brass .438"-20
11	00935.0000	1	Cap, Brass .25" FLR (For shipping purposes only)
12	00310.0000	1	Tube Assy (Bulkhead to Strainer/Flow Control)
13	22300.0175	1	Strainer/Flow Control Assy (.175 GPM)(Includes items 15 thru 21)
14	24356.0175	1	Str/Flow Comb w/Tbg (.175 GPM) (Includes items 12 & 13)
15	01154.0000	1	Fitting, Flow Control Outlet
16	01155.0000	1	Gasket, Flow Control
17	-----	1	Washer, Flow Control (Order item 18)
18	20526.1175	1	Washer/Gasket Assy (Includes items 16 & 17)
19	-----	1	Body (Order item 13)
20	23721.0000	1	Screen
21	22249.0000	1	Fitting, Flow Control Inlet
22	00402.0001	2	Connector .25" FLR x .125" MPT
23	07442.0000	1	Tube Assy, Solenoid to Tank
	24684.0000	2	Gasket, .25" flare copper
24	00400.0001	1	Elbow, Male - TNPL .25" FLR x .125" MPT (Early Style)
	58424.0000	1	Elbow, 1/8-27 NPT X 3/8 Barb KYNAR (Later Style)
25	00948.0000	1	Fitting Inlet .750-16 x .125" FPT
26	-----	1	
27	01540.0000	1	Washer, SST - .750" ID x 1.0" OD x .01
28	01201.0000	1	Gasket, Tank Inlet -Silicone

(continued)



STRAINER/FLOW CONTROL, INLET VALVE & FAUCET

VLPF



P1965

STRAINER/FLOW CONTROL, INLET VALVE & FAUCET

ITEM	PART NO.	QTY.	DESCRIPTION
29	02850.0000	1	Nut, Faucet Jam .50"-20 UNF
30	02596.1000	1	Faucet Assy (Includes items 31 thru 37)
31	02601.0000	1	Handle, Red
32	02858.0000	1	Pin
33	02854.0000	1	Nut, Bonnet
34	02595.0000	1	Spring
35	13054.0000	1	Stem
36	02766.0000	1	Faucet, Seat Cup
37	-----	1	Body (Order item 30)
38	00310.0020	1	Tube Assy, Cop .25FLR
39	37297.0002	1	Fitting,.25 FLR X.75 Hose Thd
40	58349.0000	1	Bracket, Solenoid - VLPF
41	40693.0011	1	Inlet Valve Assy, 120V .175GPM Flow Control
42	12422.0001	2	Clamp, Hose-Snap Type .59/.66ID
43	-----	1	Tube, Silicone.375 x .625 x 6.00 (Order item 47)
44	58424.0000	1	Elbow, 1/8-27 NPT X 3/8 Barb KYNAR
45	02594.0000	-	Faucet Stem W/Pin (Includes items 32 and 35)
46	28706.0000	-	Faucet Repair Kit (Includes items 31,32 and 34 thru 36)

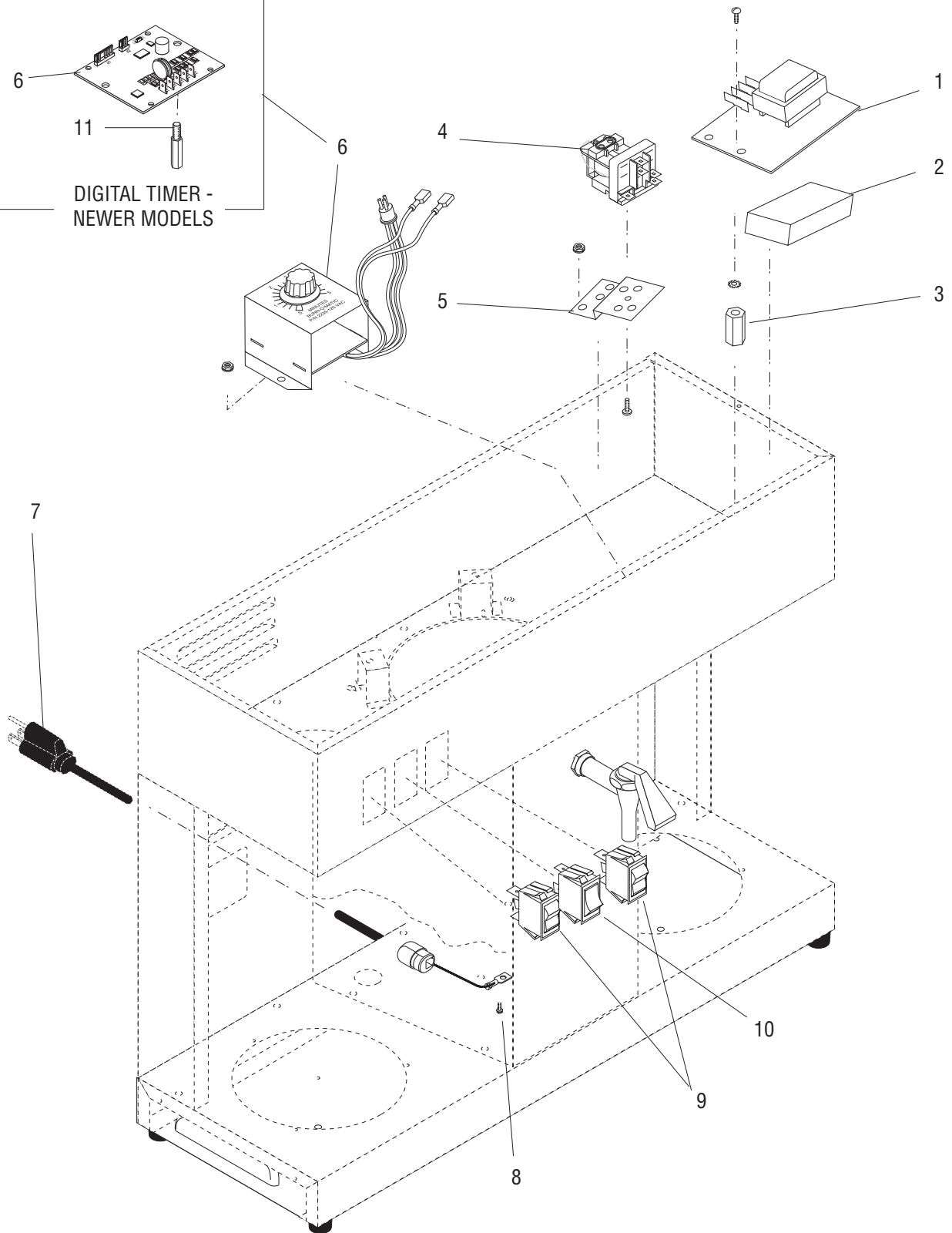
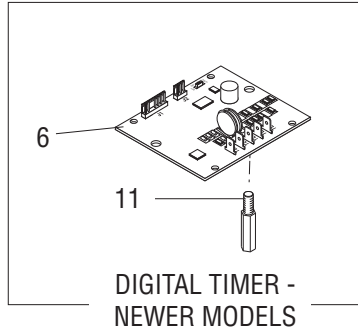
Note: The following items are not illustrated

47	20976.1000	-	Tube, Silicone -.375ID x 12.0"LG
	20976.1001	-	Tube, Silicone -.375ID x 36.0"LG
	20976.1002	-	Tube, Silicone -.375ID x 120.0"LG



ELECTRICAL & OPERATING CONTROLS

VLPF

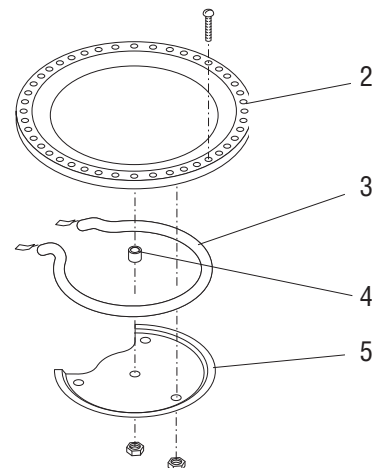
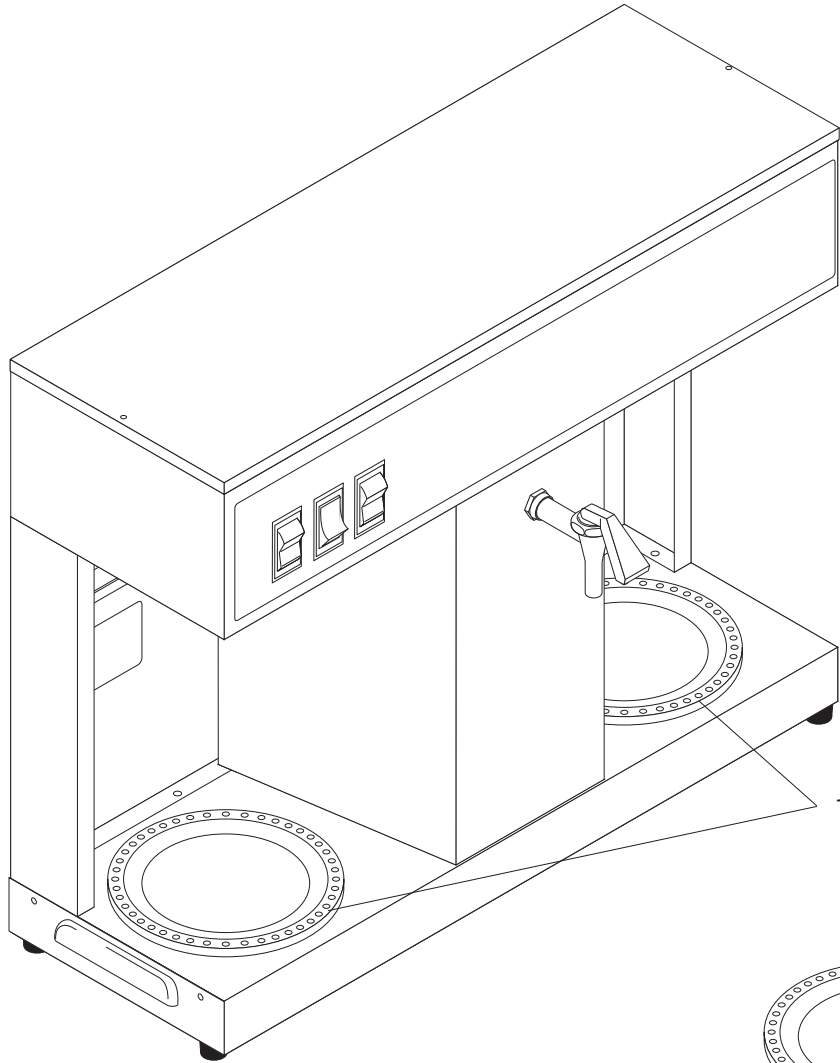


ELECTRICAL & OPERATING CONTROLS

ITEM	PART NO.	QTY.	DESCRIPTION
1	07074.1030	1	Control Board, Level 120V 5 sec
	01311.0000	2	Screw, Truss Head #8-32 x .25"
	01511.0000	2	Lock Washer, Ext T - #8- Zinc. PI
2	03263.0000	1	Pad, Sponge, ADH Back .5" x 2.0" x 2.0"
3	00950.0000	2	Spacer, Hex Nut 8-32 x .75" HT
4	02618.1000	1	Relay, 120V SPDT
	01347.0000	1	Screw, TRH Serr SST 6-32 x .38"
5	07441.0000	1	Bracket, Solenoid/Relay MTG
	00970.0000	2	Nut, Keps #8-32 Zinc PI
6	32400.0002	1	Timer, Digital - 120V (Late Models)
	-----	1	Timer, 5 Min - 120V - N.O. (Early Models, Order Item 17)
	00970.0000	2	Nut, Keps #8-32 Zinc PI
7	01637.0000	1	Cord, Pwr - 16/3 HSJO 5-15P 60"
8	02337.0001	1	Screw #10-32 x .375"
9	02753.0000	2	Switch, On/Off - Light - Amber 120V
10	02628.0000	1	Switch, Mom-Start SPST N.O.
11	23825.0000	2	Spacer

Note: The following items are not illustrated

12	34951.0000	1	Wiring Harness, 120V
13	21016.0030	1	Lead, Elec - BLK 4" (Control Therm to Power Cord)
14	21016.0031	1	Lead, Elec - BLU/BLK 4" (Control Therm to Limit Therm)
15	07014.0000	2	Terminal Housing .25" Recpt
16	29445.0000	1	Wiring Harness, Digital Timer (Early Models with Digital Timers)
17	32400.0000	1	Digital Timer Replacement Kit (Includes Items 6, 11, 12 & 17) (used to replace old style timers)
18	06064.0000	1	Label, Power Cord Warning

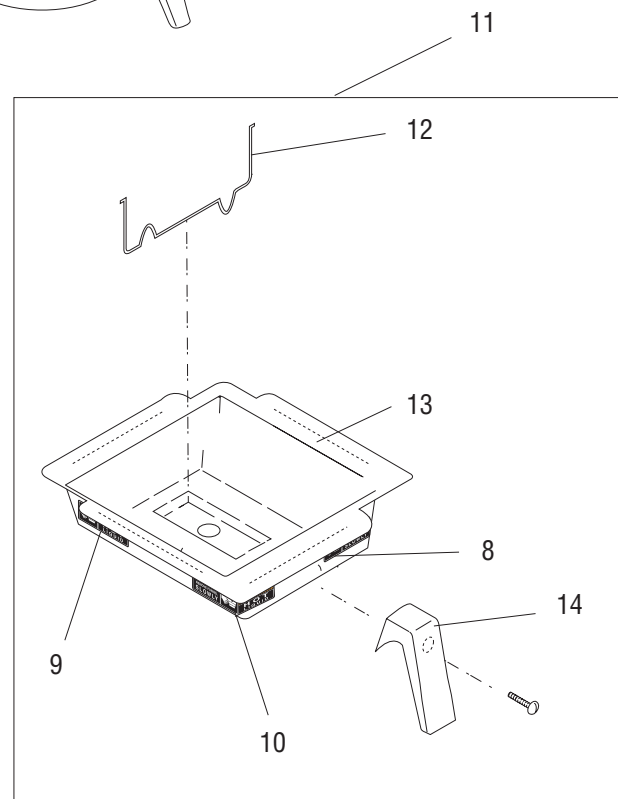
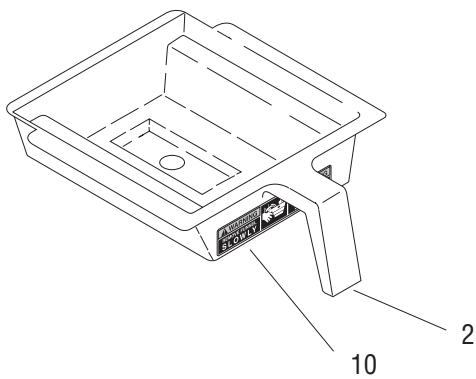
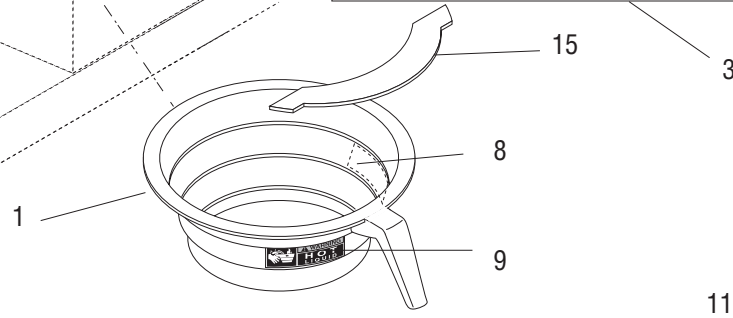
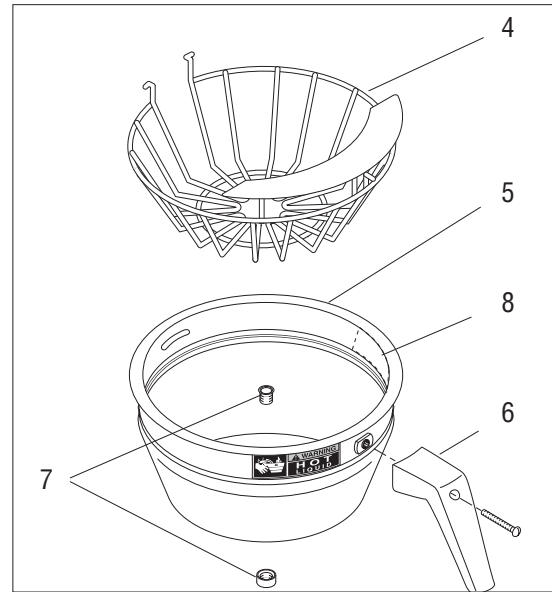
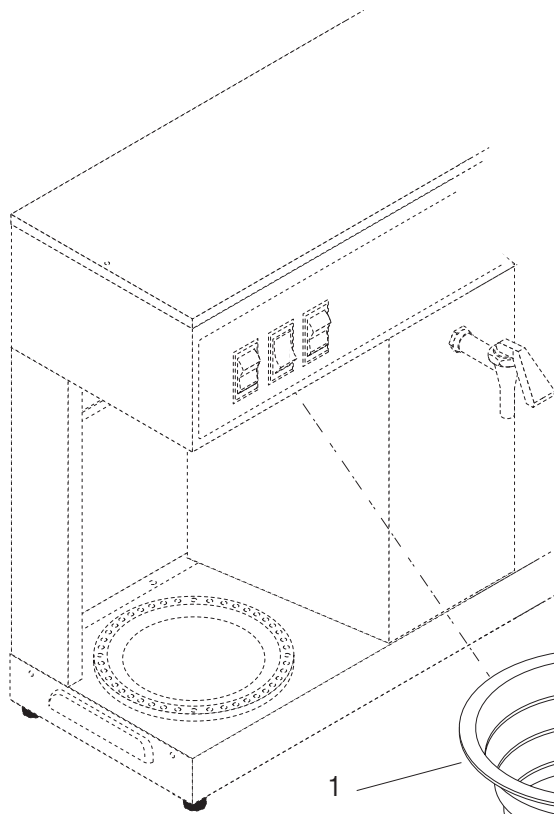


WARMER ASSEMBLIES			
ITEM	PART NO.	QTY.	DESCRIPTION
1	03652.0000	2	Warmer Assy, 100W 120V (Includes items 2 thru 5)
	01303.0000	6	Screw #4-40 x .50"
	00916.0000	6	Fastener, "J" Type #4-40
2	03656.0000	1	Dish
3	01227.0000	1	Warmer Element, 100W 120V
4	13042.0001	1	Spacer
5	05212.0000	1	Plate
	00970.0000	2	Nut, Keps #8-32



FUNNELS & BASKET

VLPF



P1975.85

FUNNELS & BASKET

ITEM	PART NO.	QTY.	DESCRIPTION
1	20583.0003	1	Funnel W/Decals, Plastic - Blk (Includes items 8, 9 & 15)
	20583.0006	1	Funnel W/Decals, Plastic - Orn (Includes items 8, 9 & 15)
2	02774.0001	1	Funnel W/Decals, Pouch Pack - Blk (Small)(Includes item 10)
	04274.0002	1	Funnel W/Decals, Pouch Pack - Blk (Large)(Includes item 10)
3	20216.0000	1	Funnel, SST W/Black Handle (7.125" Dia.)(Includes items 4 thru 9)
	20216.0001	1	Funnel, SST W/Orange Handle (7.125" Dia.)(Includes items 4 thru 9)
4	33088.0000	1	Filter Basket
5	28553.0000	1	Funnel, SST (Includes items 8 & 9)
6	20244.1000	1	Handle, Black (Includes screw)
	20244.1001	1	Handle, Orange (Includes screw)
	01331.0002	1	Screw, RDH LKG Patch #10-32
7	01031.0000	1	Funnel Tip Kit
8	03408.0002	1	Decal, Warning - Remove Funnel
9	03409.0002	1	Decal, Warning - Hot Liquid
10	28694.0000	1	Decal, Warning - Hot Liquid/Remove Funnel
11	29151.0000	1	Funnel Assy, SST - Pouch Pack Blk Handle(Includes items 8-10 & 12-14)
12	29845.0000	1	Insert, Pouch Pack Funnel - wireform
13	-----	1	Funnel (order item 11)
14	29152.1000	1	Funnel Handle Kit, SST Pouch Pack Blk (Includes screw)
	29152.1001	1	Funnel Handle Kit, SST Pouch Pack Orn (Includes screw)
	01331.0002	1	Screw, RDH LKG Patch #10-32
15	32964.0000	1	Splash Guard