



## ILLUSTRATED PARTS CATALOG

Designs, materials, weights, specifications, and dimensions for equipment or replacement parts are subject to change without notice.

For Technical Service, contact Bunn-O-Matic Corporation at 1-800-286-6070.

**Bunn-O-Matic Corporation**  
Post Office Box 3227, Springfield, Illinois 62708-3227  
Phone (217) 529-6601 | Fax (217) 529-6644

## BUNN-O-MATIC COMMERCIAL PRODUCT WARRANTY

Bunn-O-Matic Corp. ("BUNN") warrants equipment manufactured by it as follows:

- 1) All coffee and tea dispensers/servers, MCR/MCP/MCA single cup brewers, and BUNNlink® electronic circuit and/or control boards – 1 year parts and 1 year labor.
- 2) Product-specific warranties for Crescendo®, Fast Cup®, Sure Immersion®, Sure Tamp®, and others – 1 year parts and 1 year labor. Please visit [commercial.bunn.com/support/warranty-lookup](https://commercial.bunn.com/support/warranty-lookup) for further details.
- 3) All other equipment – 2 years parts and 1 year labor plus added warranties as specified below:
  - a) Electronic circuit and/or control boards – parts and labor for 3 years.
  - b) Compressors on refrigeration equipment – 5 years parts and 1 year labor.
  - c) Grinding burrs on coffee grinding equipment for 4 years or 40,000 pounds of coffee, whichever comes first.

These warranty periods run from the date of installation. BUNN warrants that the equipment manufactured by it will be commercially free of defects in material and workmanship existing at the time of manufacture and appearing within the applicable warranty period. This warranty does not apply to any equipment, component or part that was not manufactured by BUNN or that, in BUNN's judgment, has been affected by misuse, neglect, alteration, improper installation or operation, improper maintenance or repair, non periodic cleaning and descaling, equipment failures related to poor water quality, damage or casualty. In addition, the warranty does not apply to replacement of items subject to normal wear with use including but not limited to user replaceable parts such as seals and gaskets. This warranty is conditioned on the Buyer 1) giving BUNN prompt notice of any claim to be made under this warranty by telephone at (217) 529-6601 or by writing to Post Office Box 3227, Springfield, Illinois 62708-3227; 2) if requested by BUNN, shipping the defective equipment prepaid to an authorized BUNN service location; and 3) receiving prior authorization from BUNN that the defective equipment is under warranty.

**THE FOREGOING WARRANTY IS EXCLUSIVE AND IS IN LIEU OF ANY OTHER WARRANTY, WRITTEN OR ORAL, EXPRESS OR IMPLIED, INCLUDING, BUT NOT LIMITED TO, ANY IMPLIED WARRANTY OF EITHER MERCHANTABILITY OR FITNESS FOR A PARTICULAR PURPOSE.** The agents, dealers or employees of BUNN are not authorized to make modifications to this warranty or to make additional warranties that are binding on BUNN. Accordingly, statements by such individuals, whether oral or written, do not constitute warranties and should not be relied upon.

If BUNN determines in its sole discretion that the equipment does not conform to the warranty, BUNN, at its exclusive option while the equipment is under warranty, shall either 1) provide at no charge replacement parts and/or labor (during the applicable parts and labor warranty periods specified above) to repair the defective components, provided that this repair is done by a BUNN Authorized Service Representative; or 2) shall replace the equipment or refund the purchase price for the equipment.

**THE BUYER'S REMEDY AGAINST BUNN FOR THE BREACH OF ANY OBLIGATION ARISING OUT OF THE SALE OF THIS EQUIPMENT, WHETHER DERIVED FROM WARRANTY OR OTHERWISE, SHALL BE LIMITED, AT BUNN'S SOLE OPTION AS SPECIFIED HEREIN, TO REPAIR, REPLACEMENT OR REFUND.**

In no event shall BUNN be liable for any other damage or loss, including, but not limited to, lost profits, lost sales, loss of use of equipment, claims of Buyer's customers, cost of capital, cost of down time, cost of substitute equipment, facilities or services, or any other special, incidental or consequential damages.

# TABLE OF CONTENTS

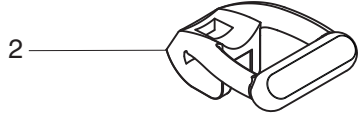
Faucet Assemblies.....	4
TD4/TD4T .....	6
TD3T-N.....	8
Numerical Index.....	10



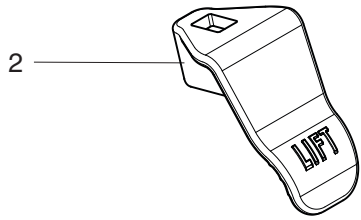
# FAUCETS

TD4  
TD4T

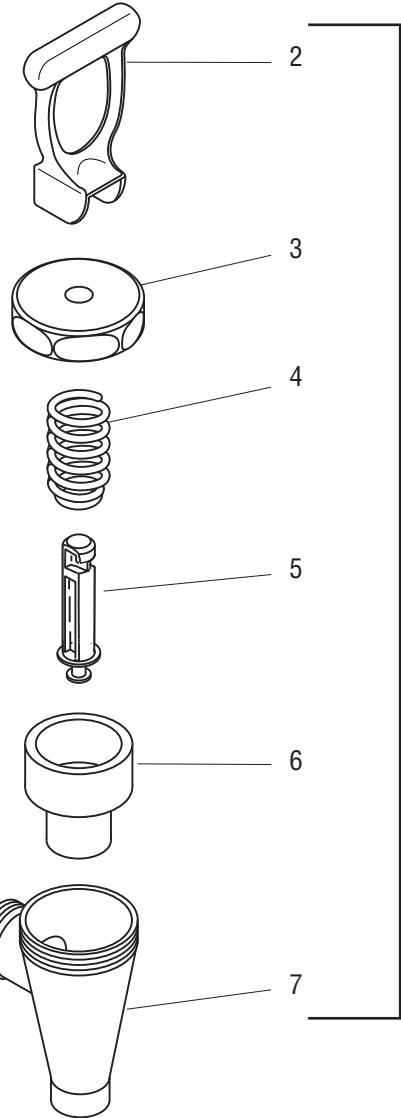
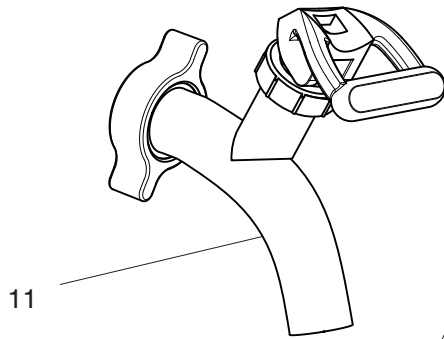
## NUDGER HANDLE



## LIFT HANDLE



## PINCH TUBE FAUCET



9

10

8

ITEM	PART NO.	QTY.	DESCRIPTION
1	03260.0101	1	Faucet Assy, Black "BUNN-O-MATIC" (Includes items 2 - 7)
	03260.0102	1	Faucet Assy, Black "Sweet / Unsweet" (Includes items 2 - 7)
	03260.0103	1	Faucet Assy, (Blank) (Includes items 2 - 7)
	03260.0119	1	Faucet Assy, Black (Nudger) (Includes items 2 - 7)
	03260.0021	1	Faucet Assy, Lift Handle (Includes items 2 - 7)
2	29163.0101	1	Faucet Handle, "BUNN-O-MATIC" Black
	29163.0103	1	Faucet Handle, Black (Sweet / Unsweet)
	29163.0106	1	Faucet Handle, (Blank) Black
	32253.0101	1	Faucet Handle, Black (Nudger)
	45946.0100	1	Faucet Handle, Lift
3	29165.0101	1	Faucet Bonnet, Black
4	00601.0000	1	Faucet Spring
5	29164.0000	1	Faucet Stem
6	00600.0000	1	Faucet Cup
7	-----	1	Faucet Body (Not available order item 1)
8	01221.0000	1	C-Ring, Faucet Shank (Except TD3T-N)
9	03093.0002	1	Wing Nut, Black
10	45415.0000	1	Washer (TD3T-N Only)
11	47326.1000	1	Pinch Tube Faucet Assy (90°) (Includes items 8 - 9)

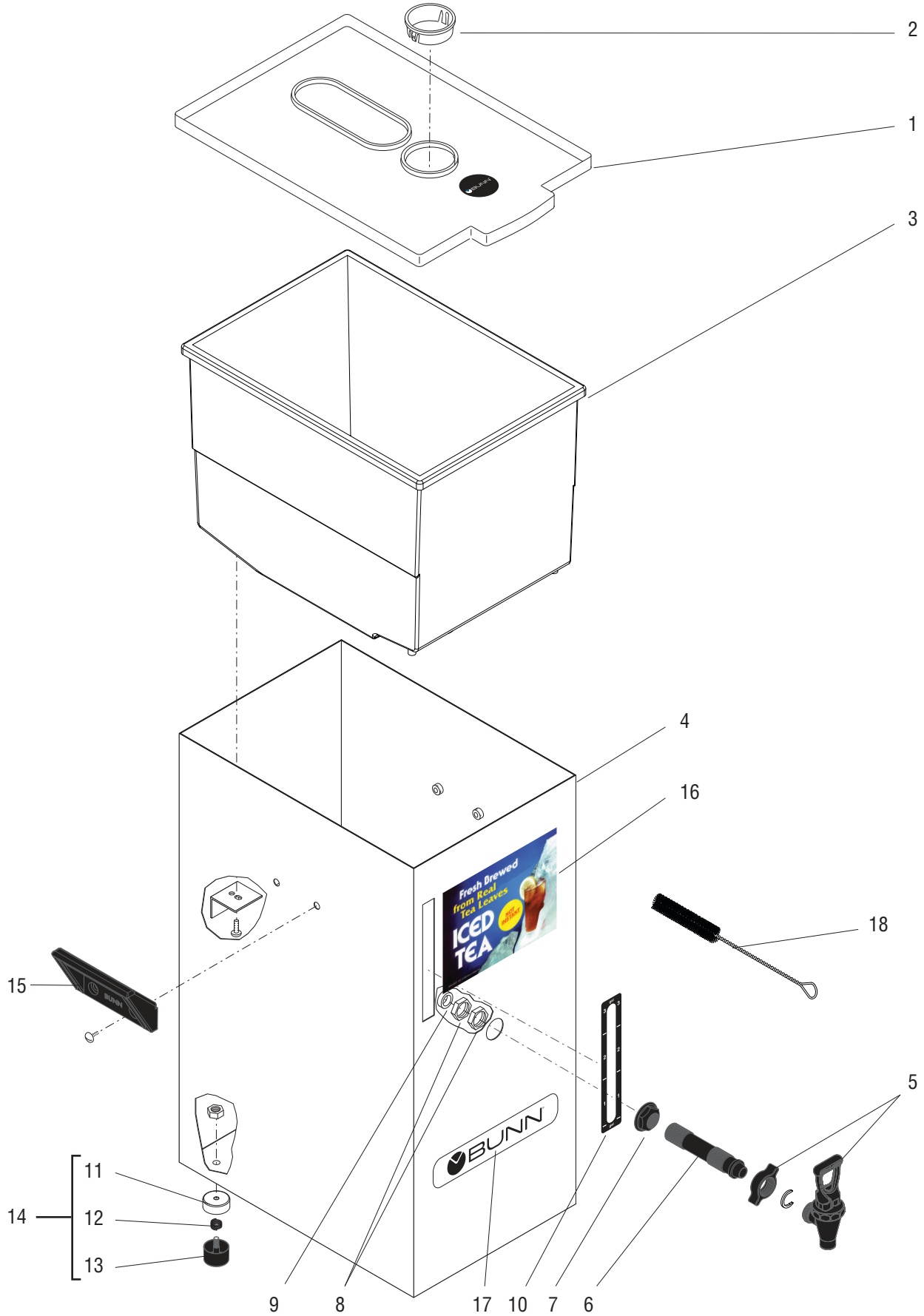
**The Following Items Are Not Illustrated**

12	29166.0001	1	Faucet Repair Kit, Black "BUNN-O-MATIC" (Includes items 2, 4 - 6)
	29166.0002	1	Faucet Repair Kit, Black "Sweet / Unsweet" (Includes items 2, 4 - 6)
	41183.0000	1	Faucet Repair Kit, Black "Sweet / Unsweet" (Includes items 2 - 9)
	29166.0008	1	Faucet Repair Kit, Black (Nudger) (Includes items 2, 4 - 6)
	29166.0009	1	Faucet Repair Kit, Lift Handle (Includes items 2, 4 - 6)



# DISPENSER

TD4  
TD4T



ITEM	PART NO.	QTY.	DESCRIPTION
1	03255.0000	1	Lid, Reservoir (Solid)(Includes Decal Not illustrated)
	00778.0001	1	Decal, BUNN (Not illustrated)
	03255.0002	1	Lid, Reservoir (Brew-thru)(Includes item 2)
2	03285.0002	1	Bushing, Lid
3	03078.1002	1	Reservoir
	01364.0000	2	Screw, pan head #6 x .312 (self-tapping)
4	-----	1	Housing (Not available)
5	-----	1	Faucet Assembly (Refer to Page 4)
6	03362.0004	1	Faucet Shank, Black
7	03092.0001	1	Nut, flanged - Black
8	00958.0000	2	Nut, hex brass .50"-14 NPSM
9	03099.0000	1	Gasket
10	39786.0002	1	Gauge, Sight W/Markings - Black
11	00752.0000	4	Cover
12	00751.0000	4	Spring
13	00754.0001	4	Foot, Black Plastic
14	01175.0000	4	Foot Kit
	23700.0000	4	Nut, Keps .25"-20
15	03710.0002	2	Handle, Black
	02325.0000	4	Screw, pan head .25"-20 x .312"
16	03043.0002	1	Decal, Fresh Brewed Iced Tea
	21412.0001	1	Decal, Fresh Brewed Iced Coffee
17	00651.0001	1	Decal, BUNN
18	00674.0000	1	Brush, cleaning

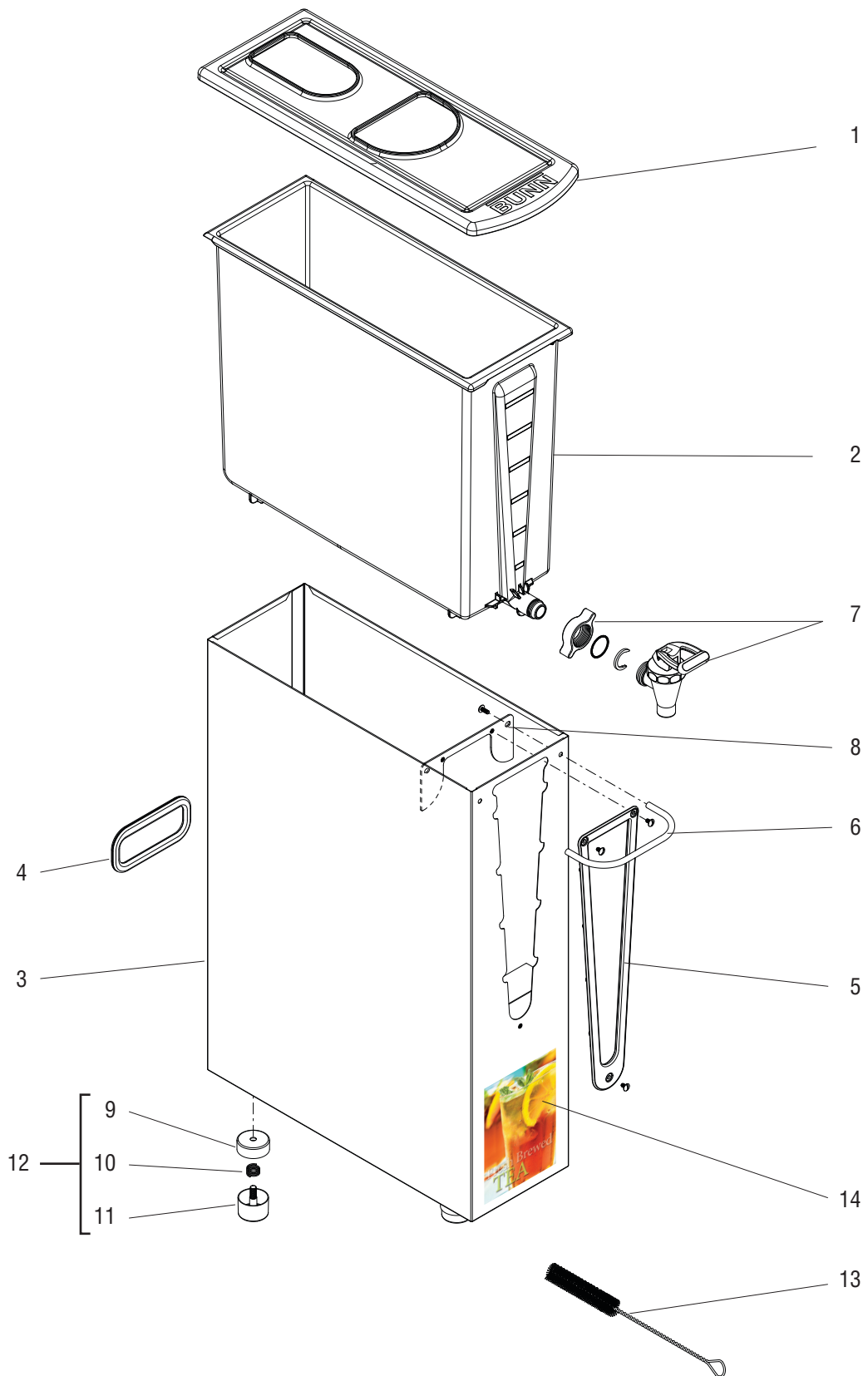
**The Following Items Are Not Illustrated**

19	03362.1004	1	Faucet Shank Kit, Black (Includes items 12 thru 16)
----	------------	---	---



# RESERVOIRS, HOUSING AND FAUCETS

TD3T-N



ITEM	PART NO.	QTY.	DESCRIPTION
1	44310.0003	1	Lid, Brew Through
	44310.0004	1	Lid, Solid
2	44309.0003	1	Reservoir 3.5 Gallon
3	45107.1002	1	Housing, (Includes Cleaning Decal)
4	40854.0000	2	Handle, Black
5	44931.0000	1	Bezel, Front
	02323.0002	3	Screw, TRH-SLTD-BLK OXD 6-32x.25"
6	44932.0000	1	Handle, Front
	01317.0003	2	Screw, TRH-SLTD LKG SST 8-32x.38"
7	-----	1	Faucet Assembly (Refer to Page 4)
8	44933.0001	1	Backing Plate, Handle
9	00752.0000	4	Cover
10	00751.0000	4	Spring
11	00754.0001	4	Foot, Black Plastic
12	01175.0000	4	Foot Kit
13	00674.0000	1	Brush, Cleaning
14	47501.0000	1	Decal

**NUMERICAL INDEX**

PART NO.	PAGE NO.	PART NO.	PAGE NO.
00600.0000.....	5		
00601.0000.....	5		
00651.0001.....	7		
00674.0000.....	7,9		
00751.0000.....	7,9		
00752.0000.....	7,9		
00754.0001.....	7,9		
00778.0001.....	7		
00958.0000.....	7		
01175.0000.....	7,9		
01221.0000.....	5		
01317.0003.....	9		
01364.0000.....	7		
02323.0002.....	9		
02325.0000.....	7		
03043.0002.....	7		
03078.1002.....	7		
03092.0001.....	7		
03093.0002.....	5		
03099.0000.....	7		
03255.0000.....	7		
03255.0002.....	7		
03260.0001.....	5		
03260.0002.....	5		
03260.0019.....	5		
03260.0021.....	5		
03285.0002.....	7		
03362.0004.....	7		
03362.1004.....	7		
03710.0002.....	7		
21412.0001.....	7		
23700.0000.....	7		
29163.0001.....	5		
29163.0003.....	5		
29164.0000.....	5		
29165.0001.....	5		
29166.0001.....	5		
29166.0002.....	5		
29166.0008.....	5		
32253.0001.....	5		
39786.0002.....	7		
40854.0000.....	9		
41183.0000.....	5		
44309.0001.....	9		
44310.0000.....	9		
44310.0002.....	9		
44931.0000.....	9		
44932.0000.....	9		
44933.0001.....	9		
45107.1000.....	9		
45302.0000.....	7,9		
45415.0000.....	5		
45946.0000.....	5		
47326.1000.....	5		
47501.0000.....	9		