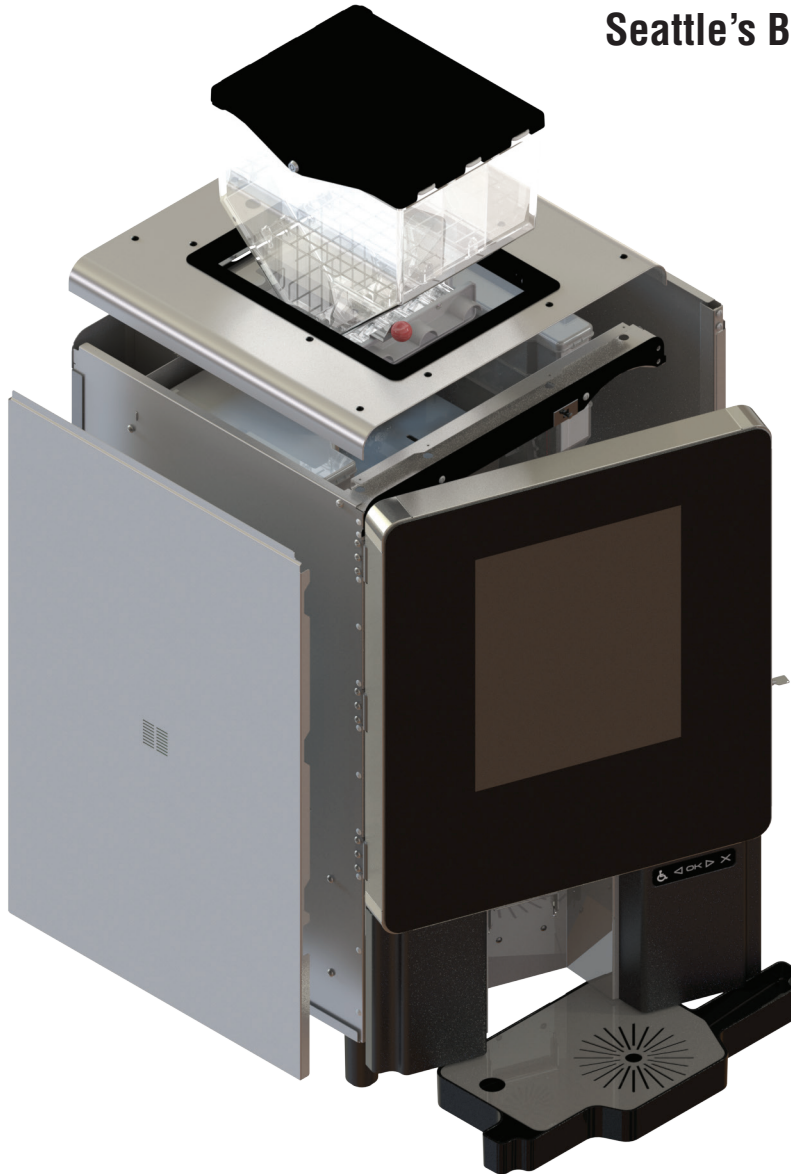




Serenade™
Single-Cup Brewer
Serving Starbucks
and
Seattle's Best Coffee



ILLUSTRATED PARTS CATALOG

Designs, materials, weights, specifications, and dimensions for equipment or replacement parts are subject to change without notice.

Sure Immersion Product Warranty

Warranty statements and information can be found on our website. Please visit <https://commercial.bunn.com/support/warranty-lookup> for further details.

TABLE OF CONTENTS

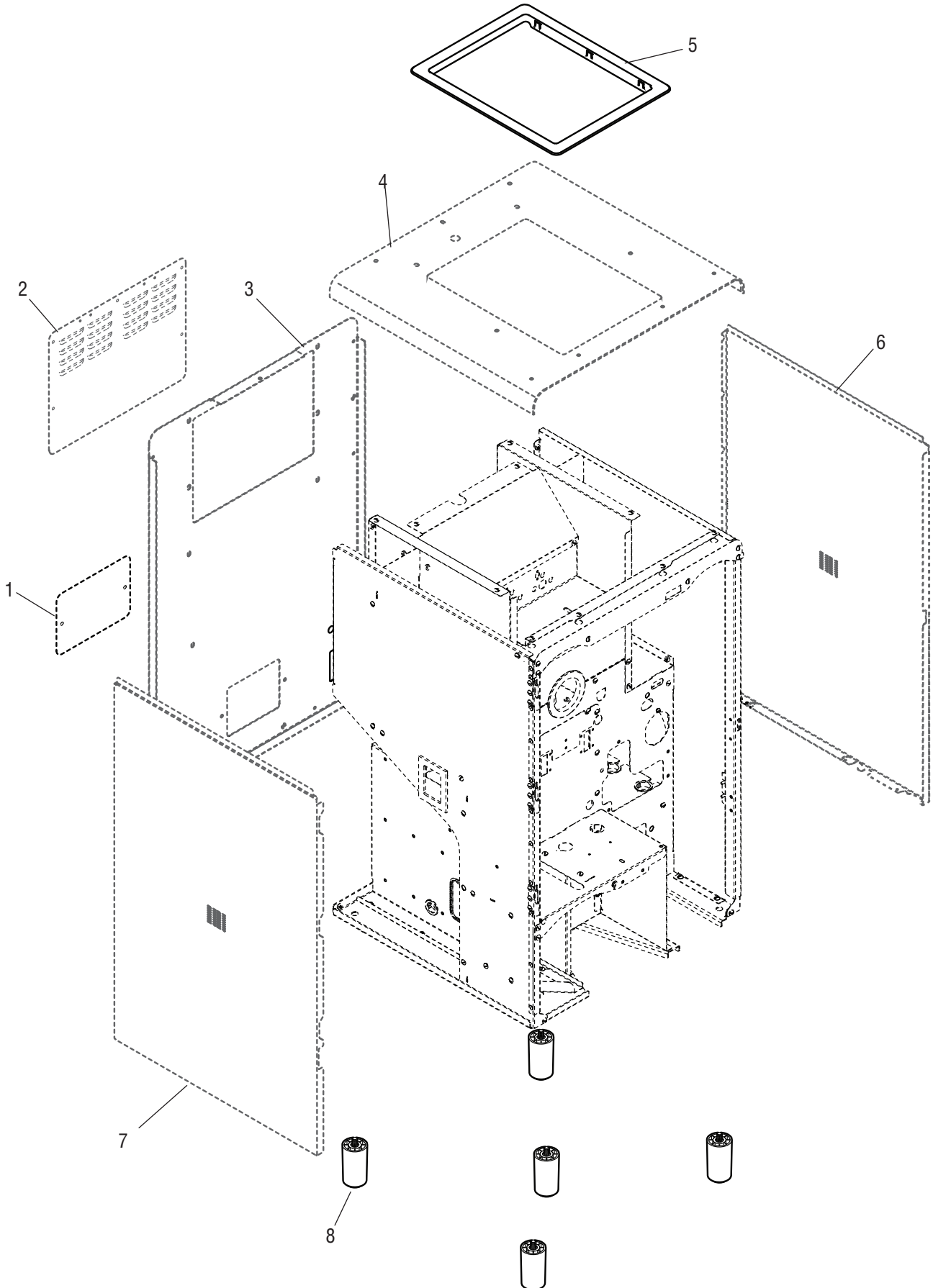
| | |
|--|----|
| EXTERIOR COMPONENTS | 4 |
| DOOR COMPONENTS | 8 |
| LOWER DOOR SPLASH PANEL ADA COMPONENTS | 10 |
| DECALS | 12 |
| GRINDER COMPONENTS..... | 14 |
| BREW ARM COMPONENTS | 16 |
| PAPER PATH - TAKEUP DRIVE COMPONENTS | 18 |
| BREW COMPONENTS | 20 |
| POWDER HOPPER COMPONENTS | 22 |
| POWDER HOPPER DRIVE COMPONENTS | 24 |
| VACUUM COMPONENTS | 26 |
| WATER TANK COMPONENTS..... | 30 |
| WATER VALVE COMPONENTS | 32 |
| WATER HOSE COMPONENTS | 34 |
| ELECTRICAL COMPONENTS..... | 40 |
| KITS..... | 47 |

To search this document electronically, press “control” + “F” (on P.C.) or “command” + “F” on Mac, then type in description or part number, press “enter”.



EXTERIOR COMPONENTS

Serenade

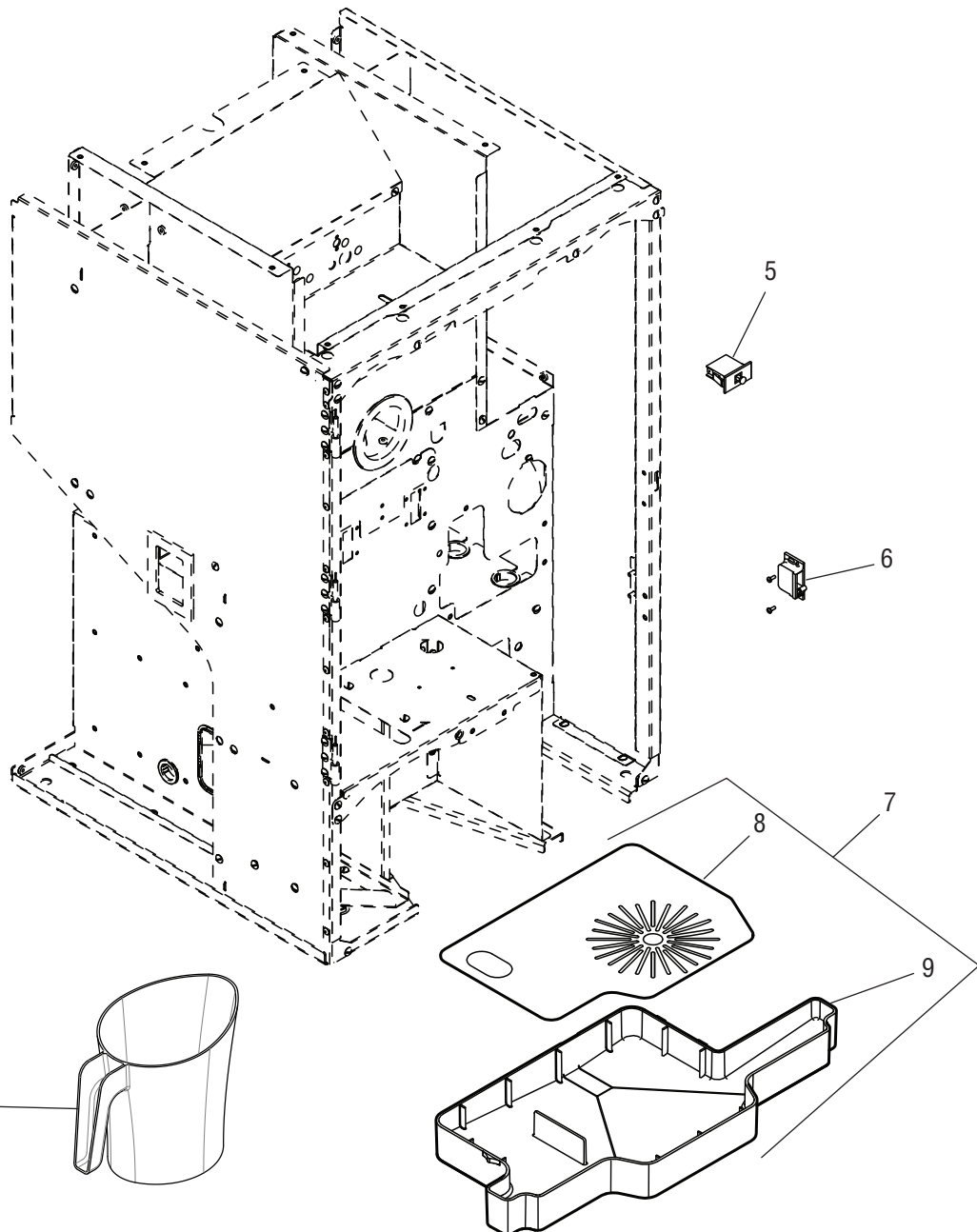
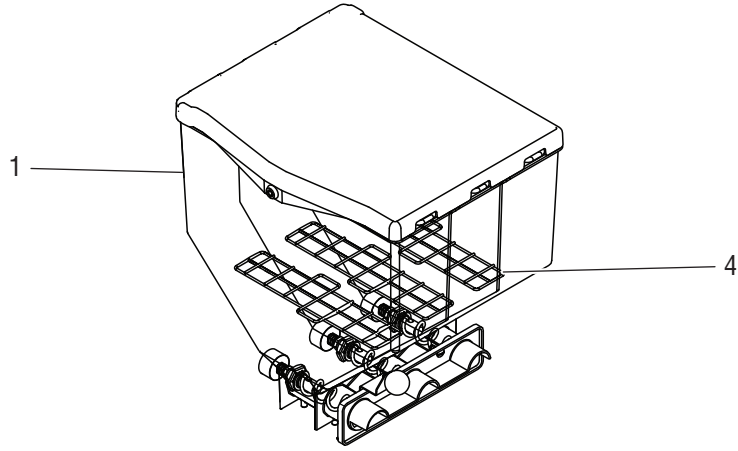


| EXTERIOR COMPONENTS | | | |
|---------------------|------------|------|---------------------------|
| ITEM | PART NO. | QTY. | DESCRIPTION |
| 1 | 49415.1000 | | Panel, Water Valve Access |
| 2 | 49416.0000 | | Panel, Tank Valve Access |
| 3 | 49414.0000 | | Panel, Back |
| 4 | | | Panel, Top |
| 5 | 52607.0000 | 1 | Ring, Bean Hopper Trim |
| 6 | | | Panel, Right Side |
| 7 | | | Panel, Left Side |
| 8 | 47978.1001 | 5 | Kit, Leg |

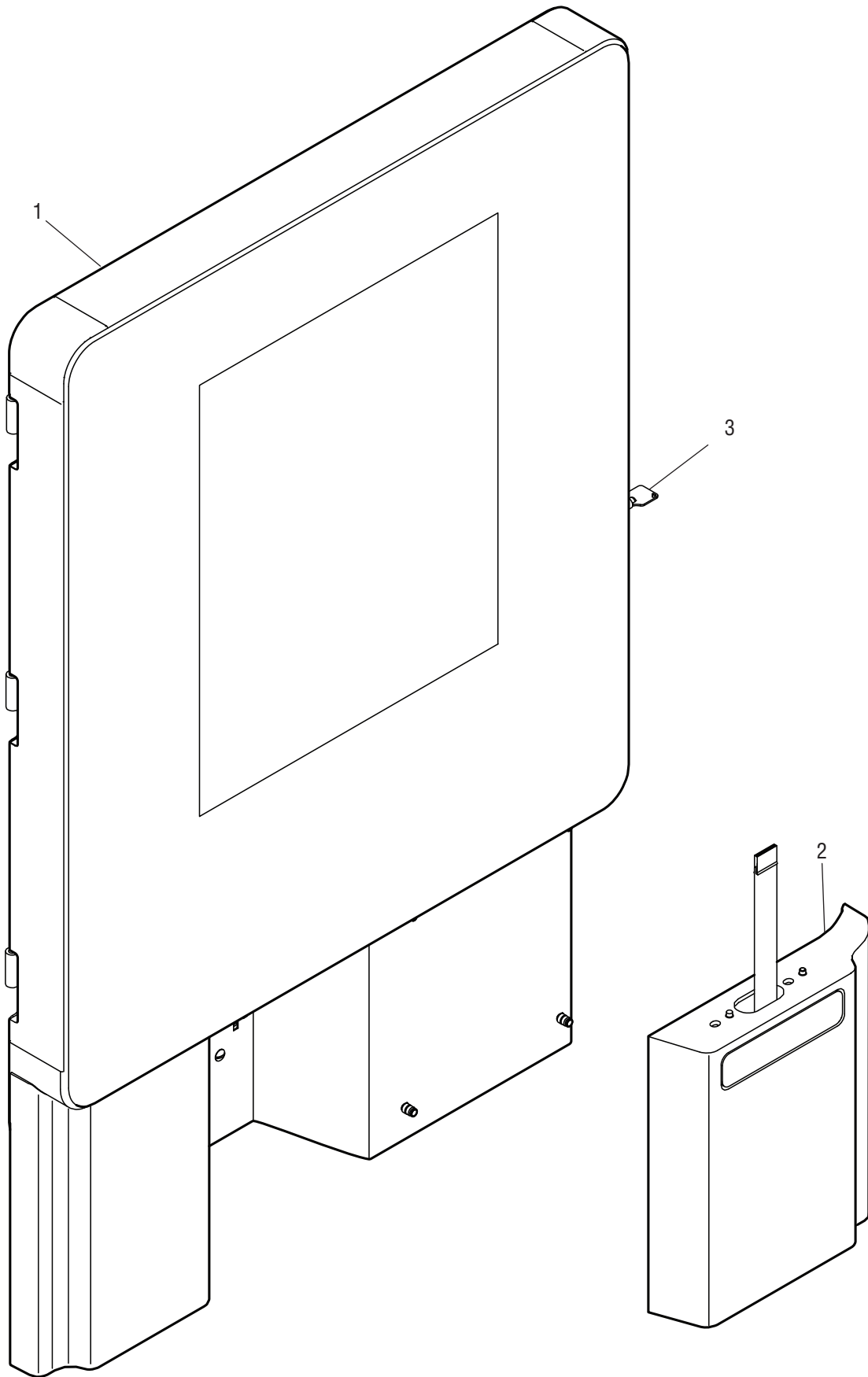


EXTERIOR COMPONENTS

Serenade

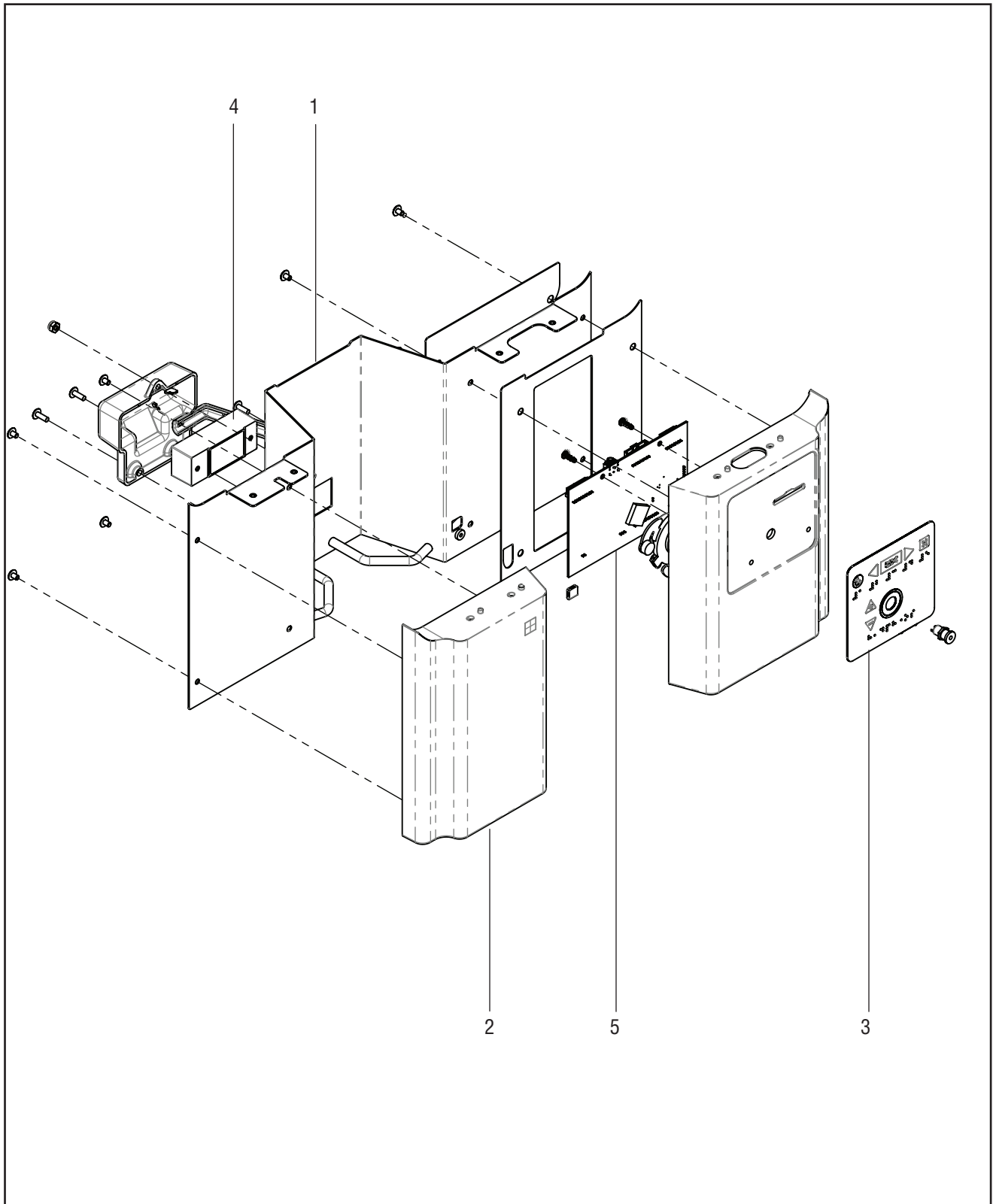


| EXTERIOR COMPONENTS | | | |
|---------------------|------------|------|---|
| ITEM | PART NO. | QTY. | DESCRIPTION |
| 1 | 52452.1000 | 1 | Assembly, Bean Hopper |
| 2 | 52445.0000 | 2 | Lid, Bean Hopper Inner (Side) - Not Shown |
| 3 | 52446.0000 | 1 | Lid, Bean Hopper Inner (Center) - Not Shown |
| 4 | 52449.0001 | 3 | Guard, Bean Hopper Finger |
| 5 | 50573.0001 | 1 | Switch, Door Interlock |
| 6 | 34666.0000 | 1 | Door Catch |
| 7 | 52537.1000 | 1 | Kit, Drip Tray with Cover |
| 8 | 52724.0000 | 1 | Cover, Drip Tray |
| 9 | 52537.0000 | 1 | Drip Tray |
| 10 | 04238.0000 | 1 | Pitcher |



**DOOR COMPONENTS
DESCRIPTION**

| ITEM | PART NO. | QTY. | DESCRIPTION |
|--|------------|------|--|
| 1 | 52421.1010 | 1 | Kit, Door Assembly |
| | 52841.1000 | 1 | Kit, Touchscreen - 17" |
| | 50775.0011 | 1 | Cable, Power - Not Shown |
| 2 | 52993.1000 | 1 | Assembly, ADA Lower Door Panel |
| 3 | 52729.1000 | 1 | Kit, Door Lock Assembly w/ Cam |
| The following items are not illustrated | | | |
| 4 | 53307.0000 | 1 | Wiring Harness (Display to ADA Membrane) |
| 5 | 51711.1000 | 1 | Kit, Door Wiring Harness - Not Shown |

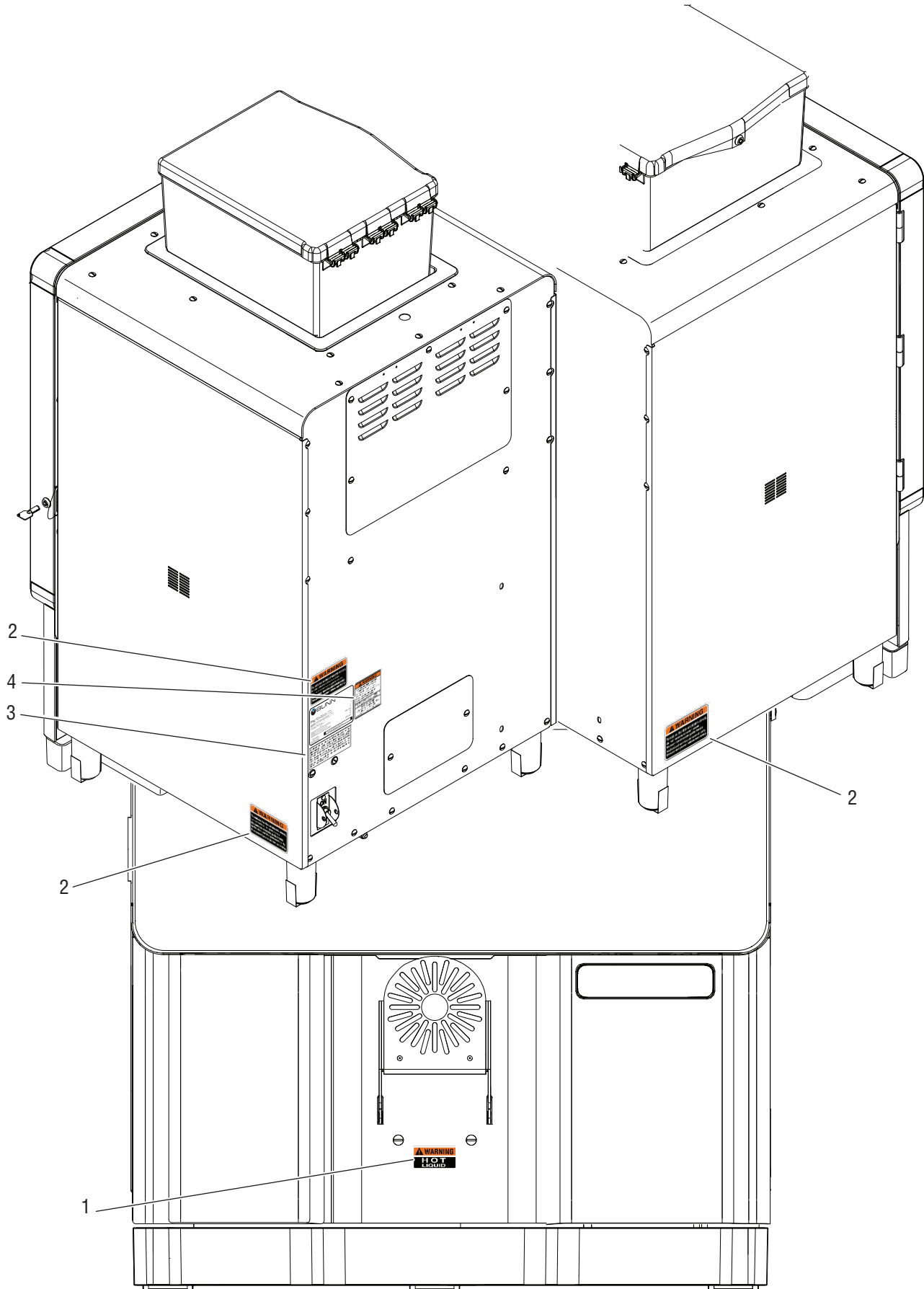


LOWER DOOR SPLASH PANEL ADA COMPONENTS

| ITEM | PART NO. | QTY. | DESCRIPTION |
|------|----------------------------|------|--------------------------------|
| 1 | 52430.0002 | 1 | Panel Weldment, Splash ADA |
| 2 | 52992.0000 | 1 | Assy, Front Door Splash Insert |
| 3 | 57661.0001 | 1 | Switch, Membrane Braille ADA |
| 4 | 57725.0001 | 1 | Sensor, Time Of Flight |
| 5 | 57742.1000 | 1 | CBA, Interface ADA SI |

The following items are not illustrated

| | | | |
|---|----------------------------|---|-----------------------------------|
| 6 | 57752.0000 | 1 | Harness, Cup Detect ADA |
| 7 | 57755.0000 | 1 | Harness, Display to Interface ADA |
| 8 | 57760.0000 | 1 | Harness, Exciter |



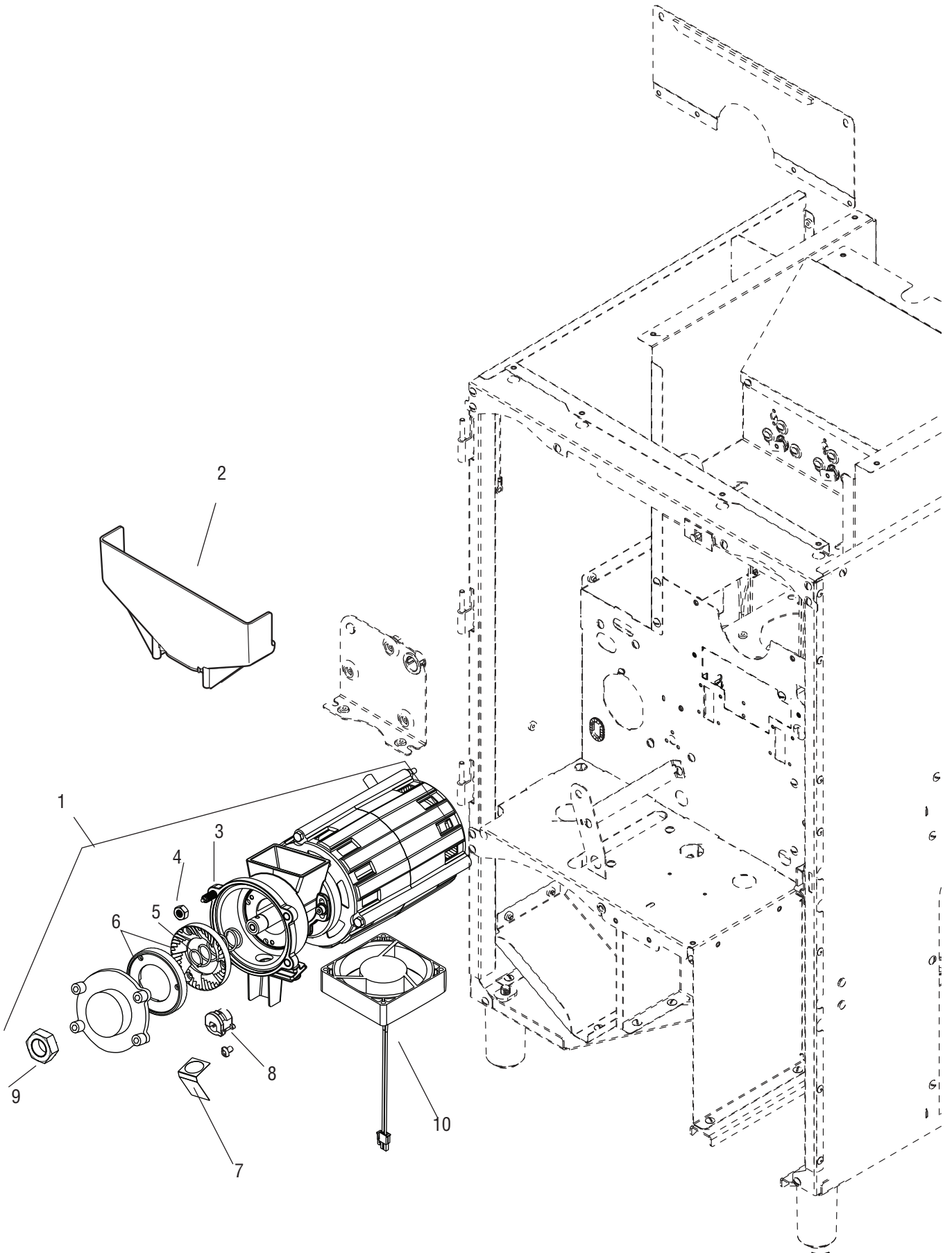
EXTERIOR COMPONENTS - DECALS

| ITEM | PART NO. | QTY. | DESCRIPTION |
|------|------------|------|---|
| 1 | 35710.0000 | 1 | Decal, Warning Hot Liquids |
| 2 | 37881.0000 | 1 | Decal, Warning No Service Parts |
| | 37881.0001 | 1 | Decal, Warning No Service Parts, ENG/FR |
| 3 | 00656.0001 | 1 | Decal, Comply To Plumbing Code |
| 4 | 00986.0002 | 1 | Decal, Warning Electrical |



GRINDER COMPONENTS

Serenade



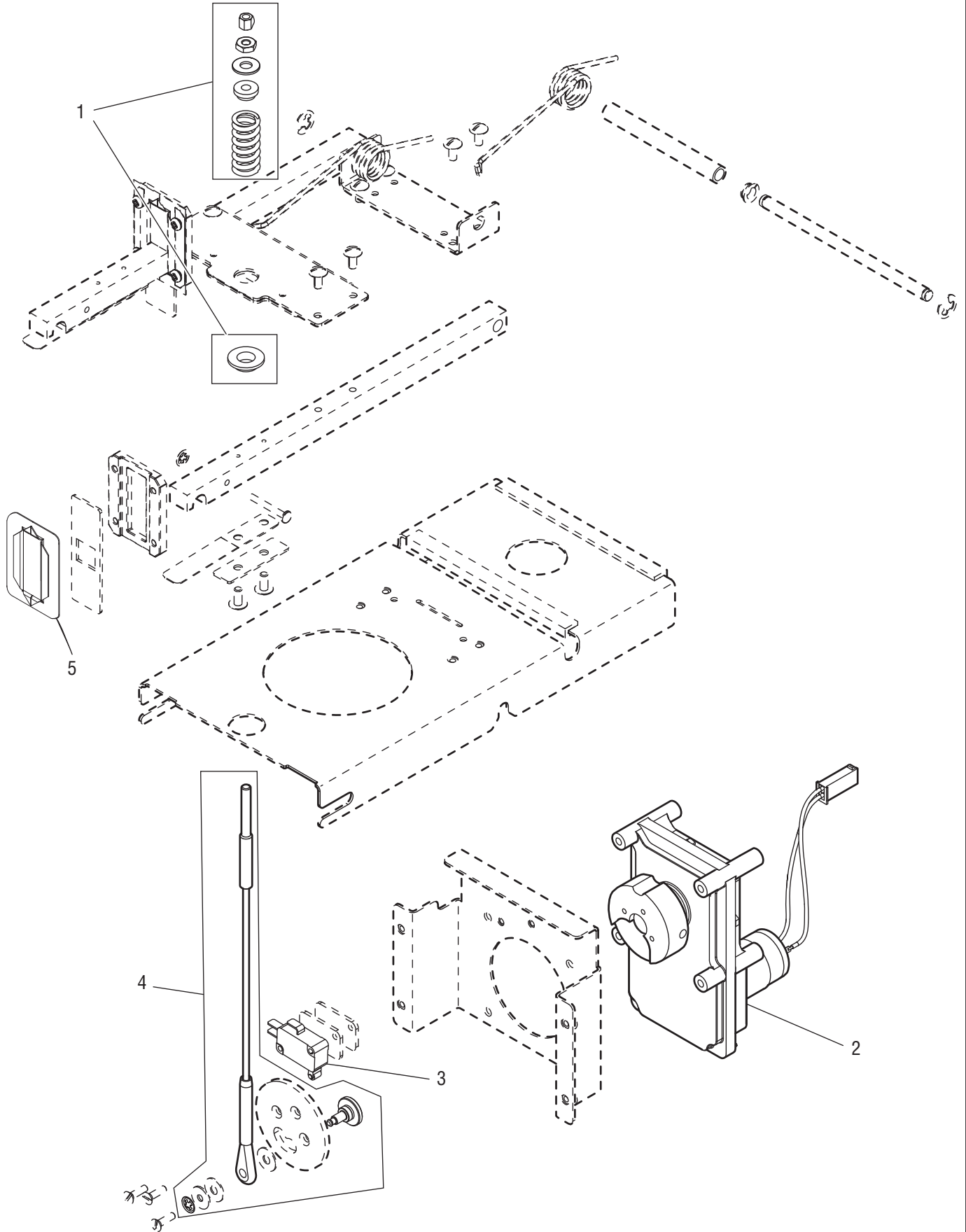
GRINDER COMPONENTS

| ITEM | PART NO. | QTY. | DESCRIPTION |
|------|------------|------|--|
| 1 | 52369.0000 | 1 | Kit, Grinder/120V (includes capacitor) |
| | 52369.0001 | 1 | Kit, Grinder/230V (includes capacitor) |
| | 50811.0103 | | Capacitor, 45MF 440V |
| 2 | 52407.1000 | 1 | Kit, Bean Funnel (Includes Gasket) |
| 3 | 52980.0000 | 1 | Plunger, Spring M6 x 1.0 |
| 4 | 52981.0000 | 1 | Nut, Hex M6 SST |
| 5 | 50811.0101 | 1 | Auger Wire, EMH-54 |
| 6 | 50811.0102 | 2 | Grinding Burrs, Set - 54mm Steel |
| 7 | 50811.0100 | 1 | Flapper, Coffee Dechaffer |
| 8 | 47280.0001 | 1 | Bushing, Strain Relief |
| 9 | 50811.0106 | 1 | Nut, Hex M16 x 1.0 |
| 10 | 33358.0000 | 1 | Fan Assy, 24VDC 52CFM 3.62"x1.0" |



BREW ARM COMPONENTS

Serenade



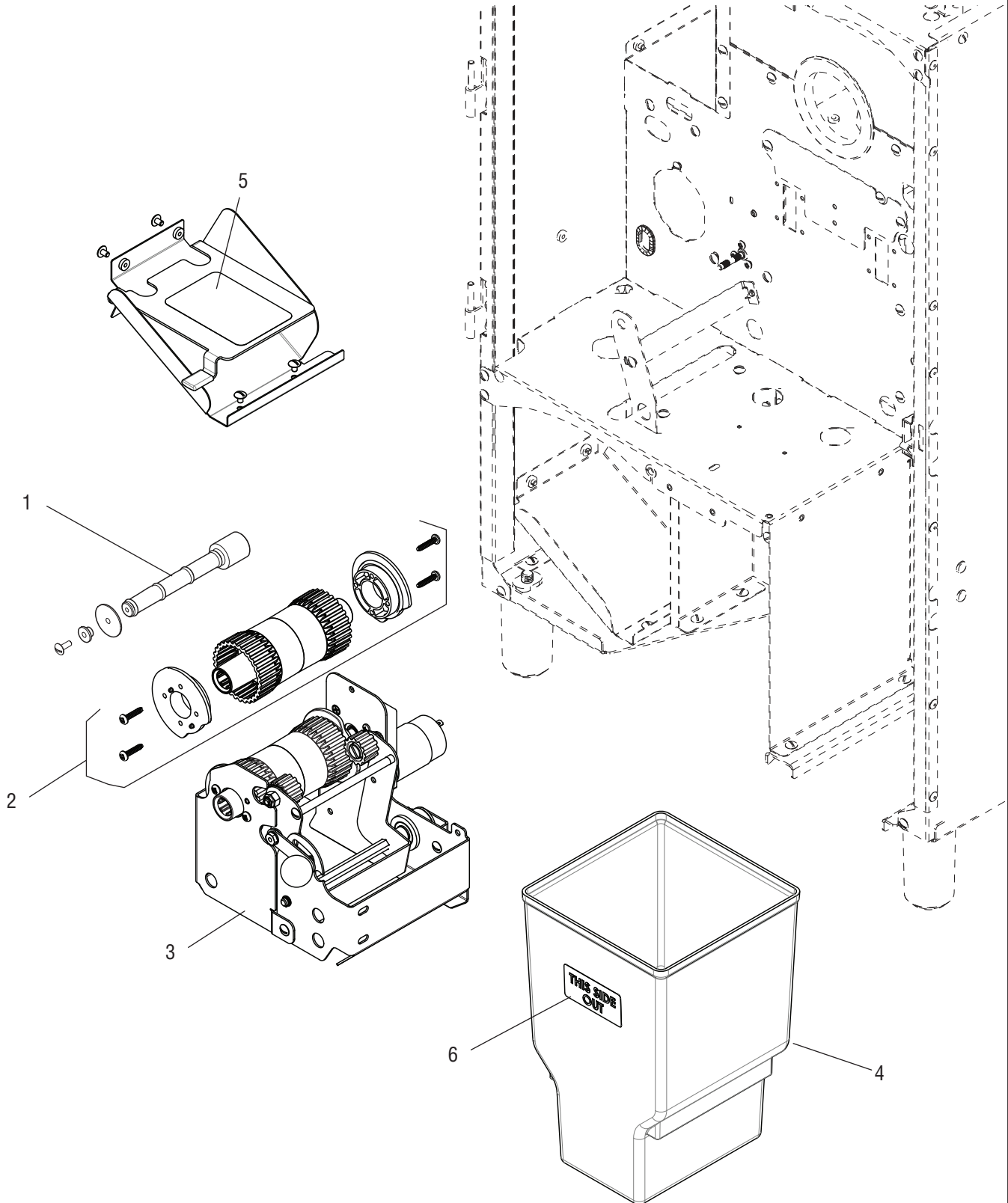
BREW ARM COMPONENTS

| ITEM | PART NO. | QTY. | DESCRIPTION |
|------|------------|------|-----------------------------------|
| 1 | 50954.1000 | 1 | Kit, Brew Arm Torsion Hardware |
| 2 | 53663.0000 | 1 | Gear Motor Assy, w/terms-Brew Arm |
| | 52733.1010 | 1 | Kit, Gear Motor Assy Brew Arm |
| 3 | 25977.0000 | 1 | Roller Switch |
| 4 | 52601.1001 | 1 | Kit, Cam Wheel Assembly |
| | 51023.0002 | 1 | Roller, Pivot Arm Link |
| | 52972.0000 | 1 | Retainer Ring |
| 5 | 54107.0000 | 2 | Gasket, Brew Arm |



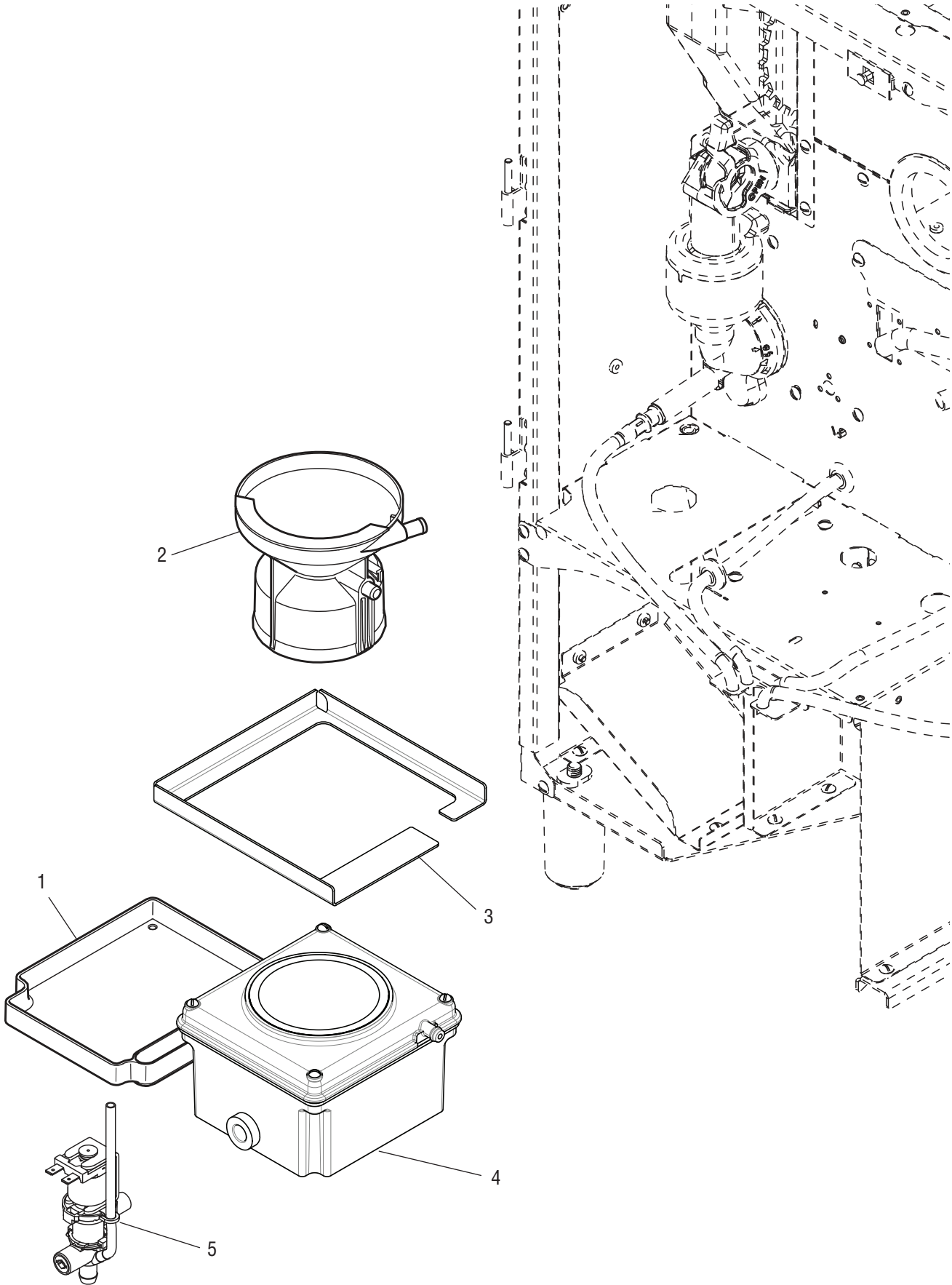
PAPER PATH - TAKEUP DRIVE COMPONENTS

Serenade



PAPER PATH - TAKEUP DRIVE COMPONENTS

| ITEM | PART NO. | QTY. | DESCRIPTION |
|------|------------|------|------------------------------|
| 1 | 51268.1060 | 1 | Kit, Paper Counter Roller |
| 2 | 52471.1010 | 1 | Kit, Paper Drive Main Roller |
| 3 | 54720.1000 | 1 | Kit, Paper Feed Assembly |
| 4 | 53460.1000 | 1 | Grounds Funnel (Open Bottom) |
| | 53460.1001 | 1 | Grounds Bin (Closed Bottom) |
| 5 | 55344.1000 | 1 | Kit, Paper Tensioner |
| 6 | 55343.0000 | 1 | Decal, This Side Out |



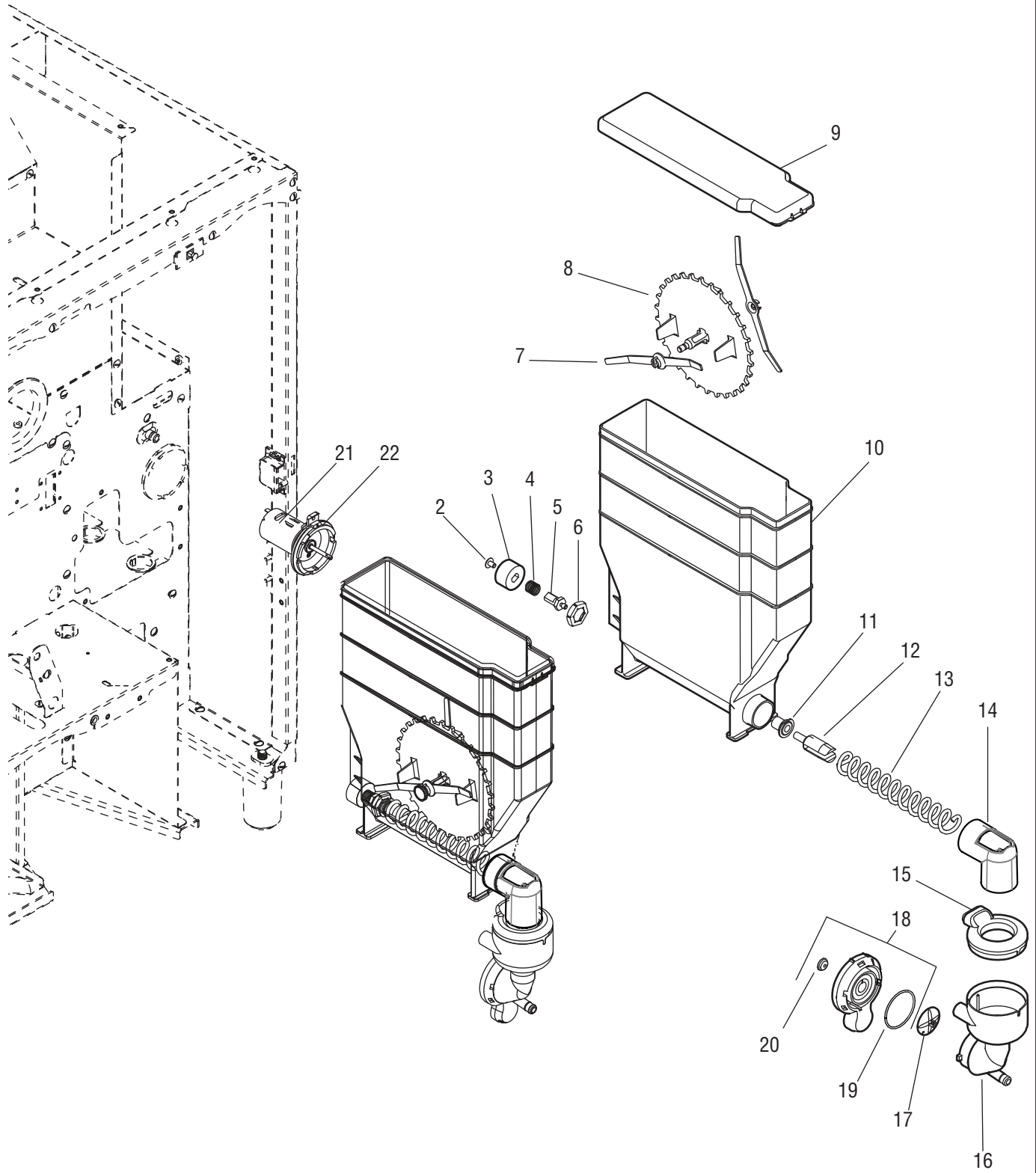
BREW COMPONENTS

| ITEM | PART NO. | QTY. | DESCRIPTION |
|------|------------|------|-----------------------------|
| 1 | 52762.0000 | 1 | Overflow Tray |
| 2 | 50203.0001 | 1 | Brew Funnel |
| 3 | 53955.0000 | 1 | Grounds Tray |
| 4 | 54171.1020 | 1 | Brew Box Assembly |
| | 51171.1020 | 1 | Kit, Brew Box Rebuild |
| 5 | 49936.0001 | 1 | Coffee Dispense Valve |
| | 49936.0010 | 1 | Service Kit, Dispense Valve |



POWDER HOPPER COMPONENTS

Serenade



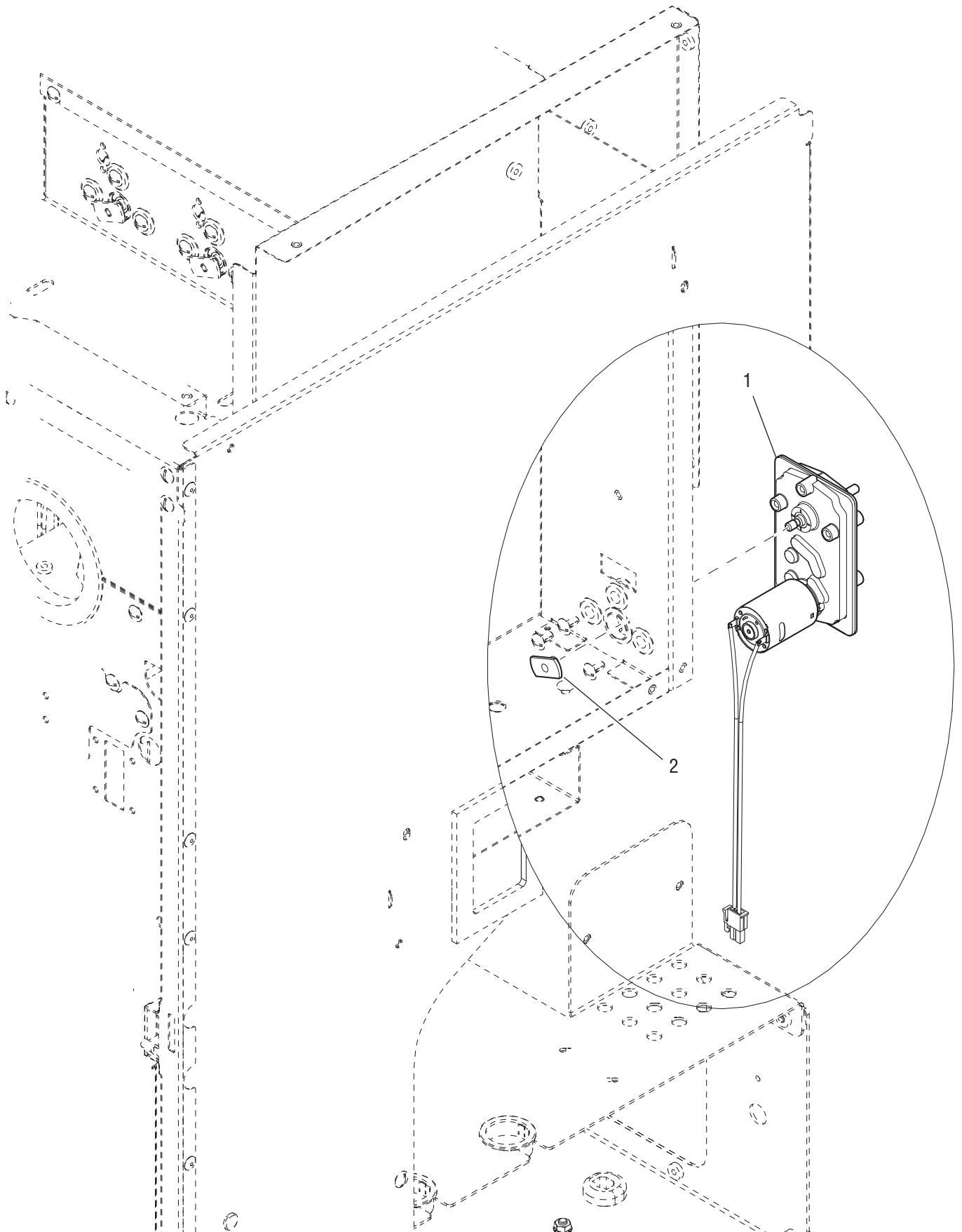
POWDER HOPPER COMPONENTS
DESCRIPTION

| ITEM | PART NO. | QTY. | DESCRIPTION |
|------|------------|------|--|
| 1 | 37010.1010 | 2 | Hopper Assembly, 6.5 lb Wire Auger (contains items 1-12) |
| 2 | 01326.0002 | 2 | Screw, TRH LKG Patch 10-32x.31 |
| 3 | 36770.0000 | 2 | Coupling, Auger Drive |
| 4 | 36774.0000 | 2 | Spring, Hopper Coupling |
| 5 | 37539.0000 | 2 | Drive Shaft, Hopper |
| 6 | 25743.0000 | 2 | Locknut, .625-11x .224 |
| 7 | 32337.0000 | 4 | Mixing Blade, 6" |
| 8 | 32386.0001 | 2 | Disk, Agitator 30-Tooth |
| 9 | 36653.0001 | 2 | Lid, Hopper |
| 10 | 36652.0000 | 2 | Hopper |
| 11 | 28067.0000 | 2 | Bushing, Auger Drive Shaft |
| 12 | 26940.0007 | 2 | Shaft, Auger Drive - Steel FMD3 |
| 13 | 39442.0000 | 2 | Auger Wire, |
| 14 | 53155.1000 | 2 | Kit, Powder Hopper Dispense Elbow |
| 15 | 50597.0000 | 2 | Steam Trap |
| 16 | 50594.0000 | 2 | Mixing Chamber |
| 17 | 50593.0000 | 2 | Impeller |
| 18 | 50595.0000 | 2 | Base, Blender (Includes items 19 & 20) |
| 19 | 50595.0001 | 2 | O-Ring, 1.48 ID Blender Base |
| 20 | 50595.0002 | 2 | Gasket, Silicone Blender Base |
| 21 | 50596.0000 | 1 | Whipper Motor |
| 22 | 57609.0000 | 2 | Kit, Whipper Motor Base w/Screws |



POWDER HOPPER DRIVE COMPONENTS

Serenade



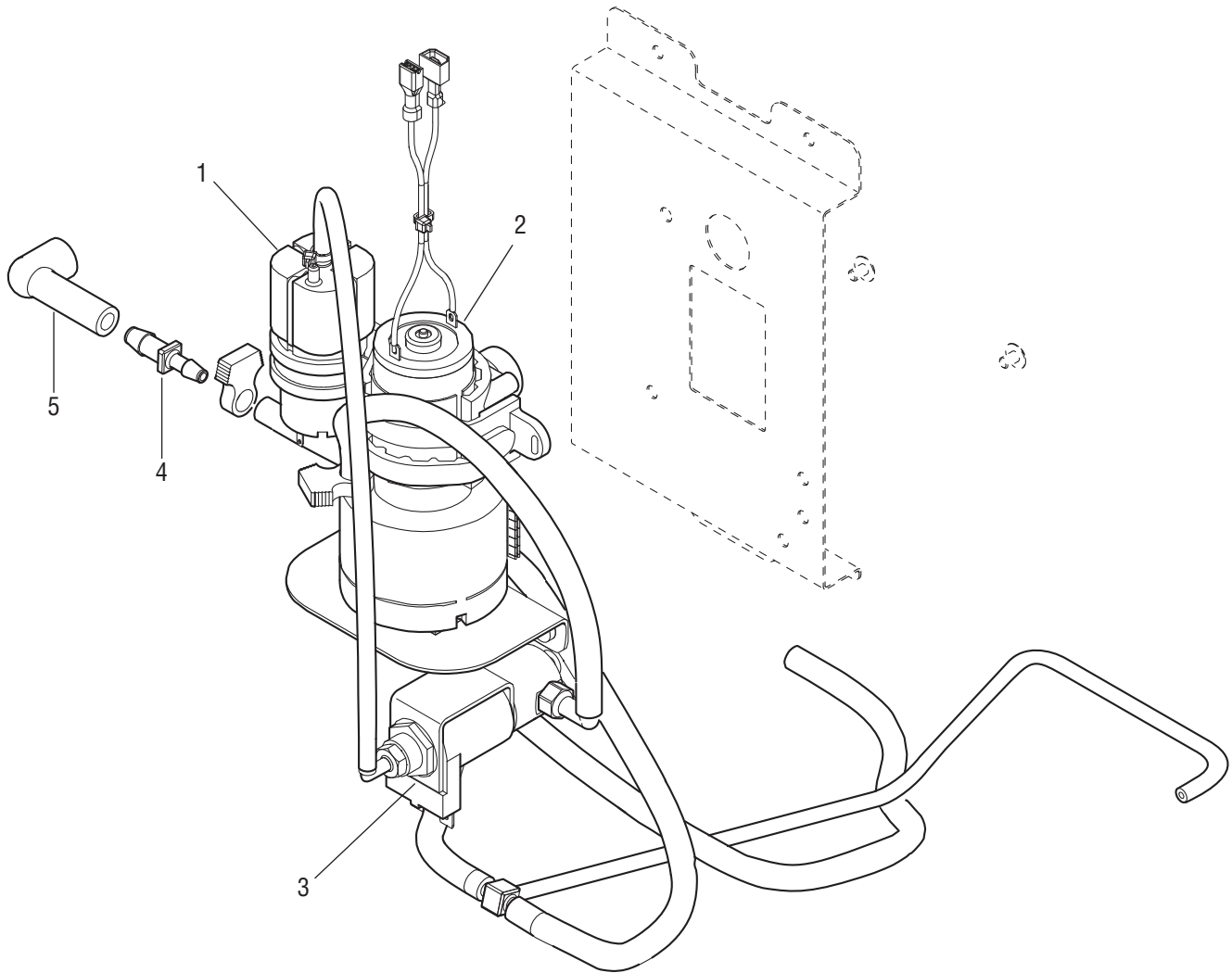
POWDER HOPPER DRIVE COMPONENTS

| ITEM | PART NO. | QTY. | DESCRIPTION |
|------|------------|------|--------------------|
| 1 | 37037.1001 | 2 | Gearmotor Assembly |
| 2 | 36773.0000 | 2 | Auger Drive Plate |



VACUUM COMPONENTS- EARLY STYLE

Serenade



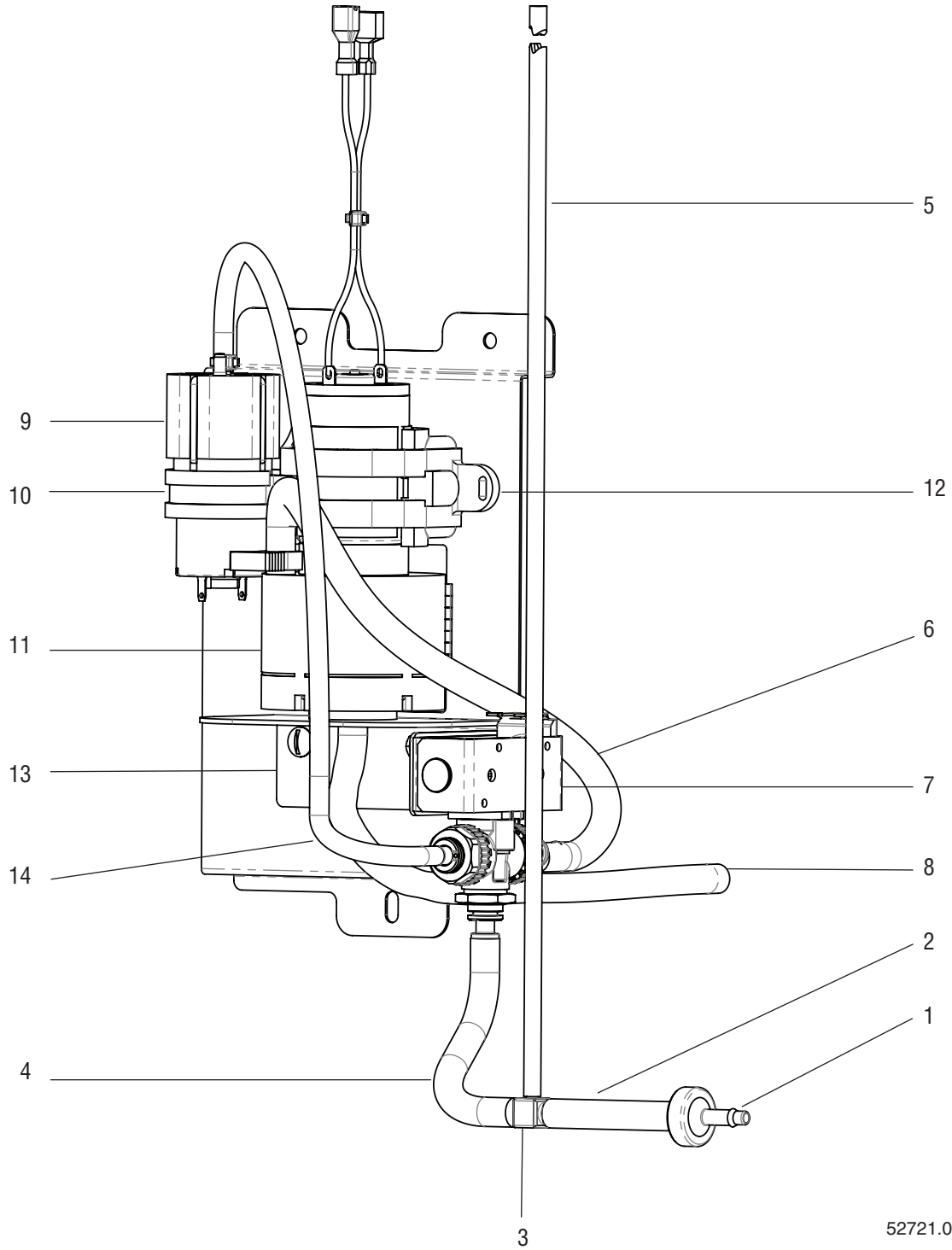
VACUUM COMPONENTS - EARLY STYLE

| ITEM | PART NO. | QTY. | DESCRIPTION |
|------|------------|------|--|
| 1 | 50854.1101 | 1 | Kit, Pump Assembly, Air Pump |
| 2 | 51994.0000 | 1 | Vacuum Pump |
| 3 | | 1 | 3-Way Valve Assy (Order Item 6) |
| 4 | 42780.0000 | 1 | Reducer, Barb .25 x .188 |
| 5 | 51527.0001 | 1 | Connector, w/rib - Brew Box Tube |
| 6. | 58679.1000 | 1 | Kit, Valve Solenoid 24V, 3/2 Way (See Later Style Pictorial) |
| | | 1 | Bracket, Pump and Valve Mtg |
| | | 1 | Valve, Solenoid 24v 3/2 Way |
| | | 1 | Adapter, 6mm x .125 Barb AVSR0MER |
| | | 2 | Fitting, 6mm PPSU Tube 4mm ID |
| | | 2 | Screw, Hex Crimptite"ab"#6x.25 |
| | | | Included in Item 6 |



VACUUM COMPONENTS - LATER STYLE

Serenade



52721.0000 H 14

VACUUM COMPONENTS - LATER STYLE

| ITEM | PART NO. | QTY. | DESCRIPTION |
|------|------------|------|---|
| 1. | 50589.0000 | 1 | Filter In-Line, 250 Mesh |
| 2. | | - | Tube, Silicone-.188id x 2" lg (Order Item 15) |
| 3. | 41089.0000 | 1 | Tee,.188x.188x.125 Polypropyl |
| 4. | | - | Tube, Silicone-.188id x 4.5" (Order Item 15) |
| 5. | | - | Tubing, Sil Pt .094id x .219od x 21lg (Order Item 17) |
| 6. | | - | Tube, Silicone-.188id x 10" (Order Item 15) |
| 7. | 58679.0000 | 1 | Valve, Solenoid 24v 3/2 Way |
| | 02332.0001 | 2 | Screw, Hex Crimptite"ab"#6x.25 |
| 8. | | - | Tube, Silicone-.188id x 23.5in (Order Item 15) |
| 9. | 50854.1101 | 1 | Kit, Pump Assembly, Air Pump |
| 10. | 40935.1000 | 1 | Kit, Loop Clamp 1.00" w/Nut |
| | 01321.0000 | 1 | Screw, Trh Sltd 8-32x1.0 SST |
| 11. | 51994.0000 | 1 | Vacuum Pump Assy, w/Terms |
| 12. | 47462.0000 | 1 | Saddle, Water Pump Motor |
| 13. | | 1 | Bracket, Pump and Valve Mounting |
| | 01311.0001 | 2 | Screw,Trh Sltd SST 8-32x.25lkg |
| 14. | | - | Tube, Silicone-.125id x 11.5in (Order Item 16) |

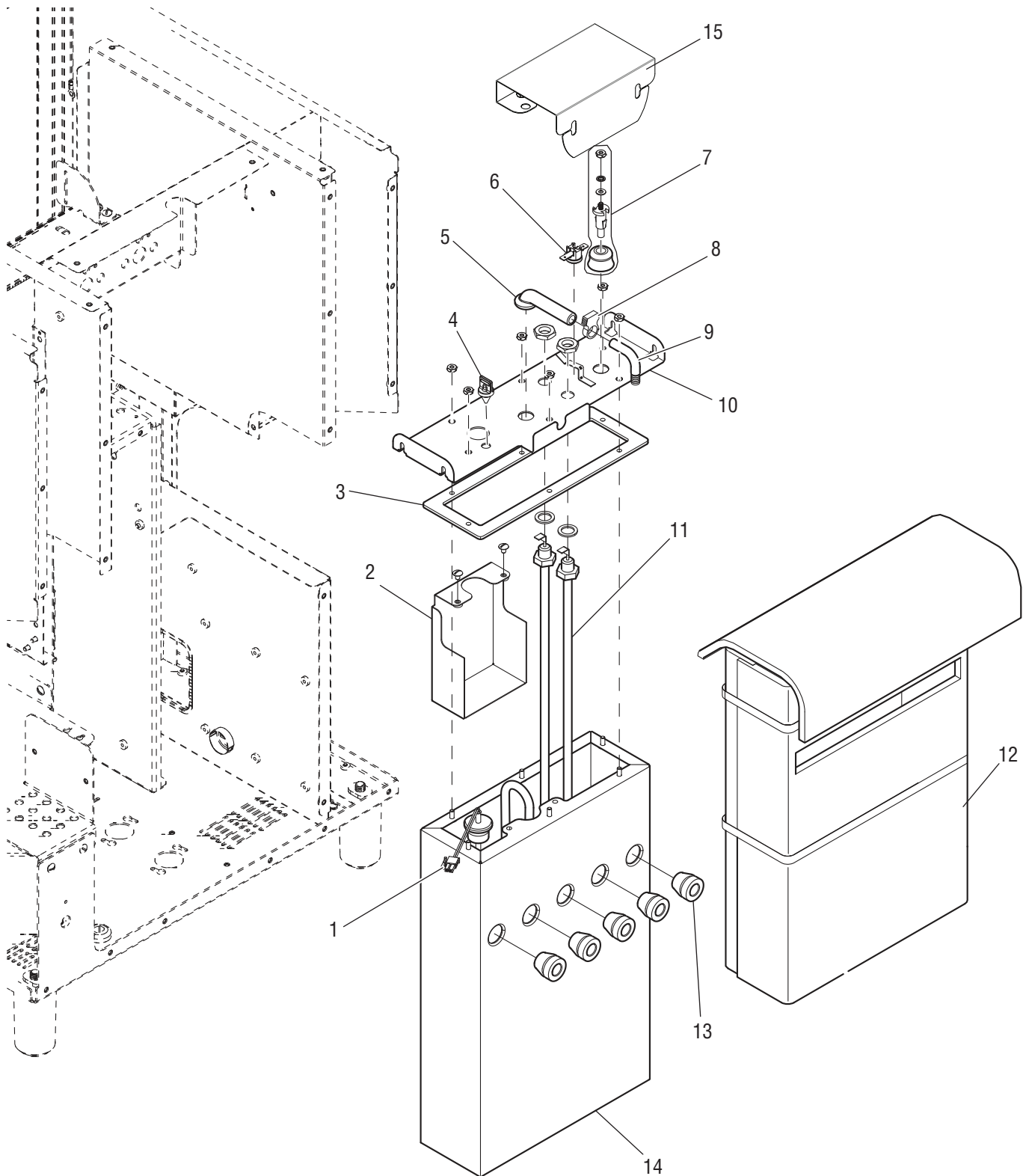
The following items are not illustrated

| | | | |
|-----|------------|---|---|
| 15. | 42916.1000 | - | Kit, Slcn-Trans Tube 12.0" LG |
| | 42916.1001 | - | Kit, Slcn-Trans Tube 36.0" LG |
| | 42916.1002 | - | Kit, Slcn-Trans Tube 120.0" LG |
| 16. | 42918.1000 | - | Kit, Slcn Tube .125 ID x 1 FT |
| | 42918.1001 | - | Kit, Slcn Tube .125 ID x 3 FT |
| | 42918.1002 | - | Kit, Slcn Tube .125 ID x 10 FT |
| | 42918.1004 | - | Kit, Slcn Tube .125 ID x 250 FT |
| 17. | 51571.1000 | - | Tubing, Sil Pt .094 ID x .219 OD x 12 LG |
| | 51571.1001 | - | Tubing, Sil Pt .094 ID x .219 OD x 36 LG |
| | 51571.1002 | - | Tubing, Sil Pt .094 ID x .219 OD x 120 LG |



WATER TANK COMPONENTS

Serenade



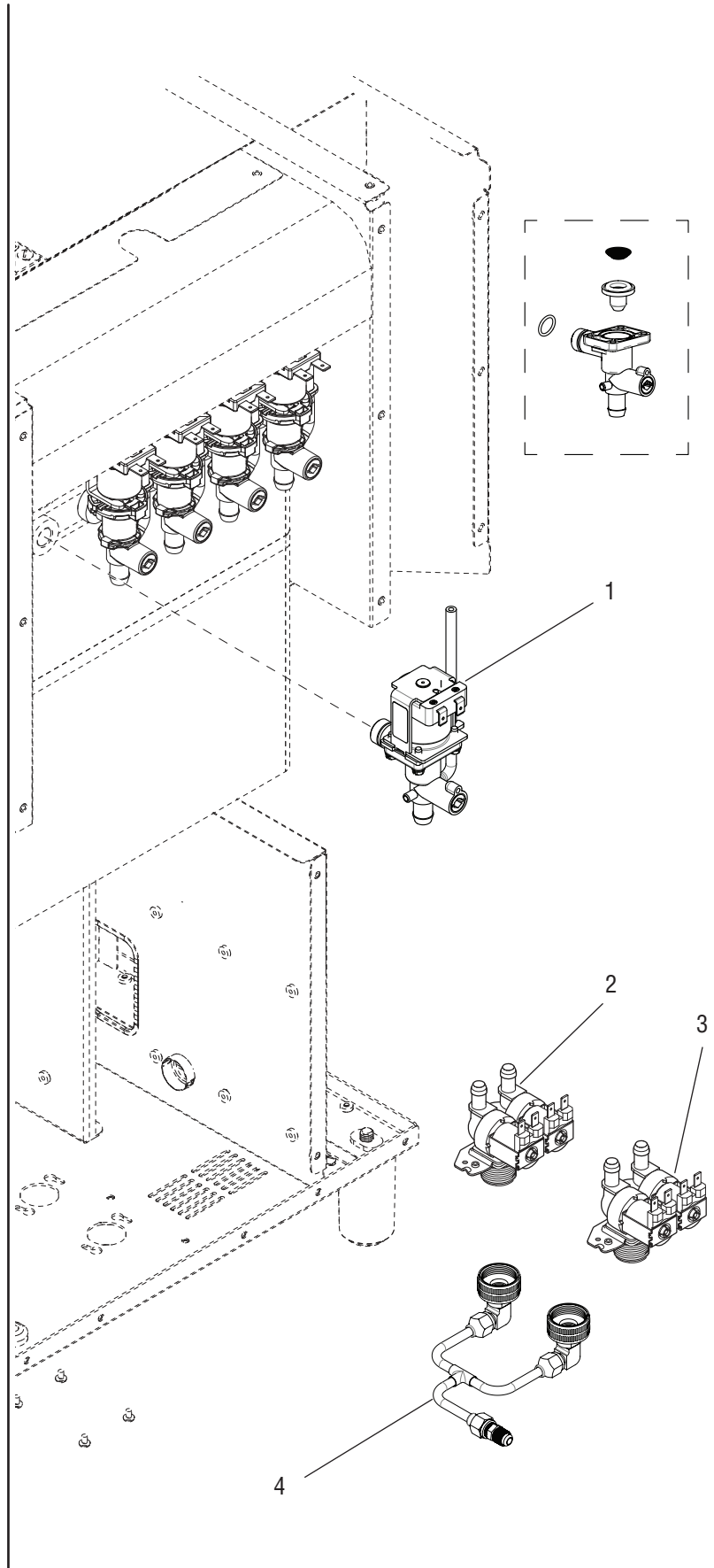
WATER TANK COMPONENTS
DESCRIPTION

| ITEM | PART NO. | QTY. | DESCRIPTION |
|------|------------|------|----------------------------------|
| - | 52413.1000 | 1 | Kit, Complete Tank |
| 1 | 39085.1002 | 1 | Kit, Temperature Probe |
| 2 | 52717.0000 | 1 | Baffle Weldment, Water Tank |
| 3 | 52409.0000 | 1 | Gasket, Narrow Tank |
| 4 | 44235.0000 | 1 | Plug, Barbed 0.360 w/Pull Tab |
| 5 | 38969.0003 | 1 | Fitting, 90° Tank Vent Silicon |
| 6 | 29329.1000 | 1 | Kit, Thermostat Limit-Auto Reset |
| 7 | 07412.1003 | 1 | Kit, Liquid Level Probe |
| 8 | 12422.0000 | 1 | Clamp, Hose Snap Type .47/.54ID |
| 9 | 34282.0000 | 1 | Elbow, SST .312 Hose ID One End |
| 10 | 52411.0000 | 1 | Tank Lid Weldment, Narrow Tank |
| 11 | 03070.1002 | 1 | Kit, Heater 1680W 120V |
| | 03070.1003 | 1 | Kit, Heater 1250W 120V |
| | 03299.1000 | 1 | Kit, Heater 1680W 230V |
| 12 | 53036.0000 | 1 | Insulation, Water Tank |
| 13 | 39285.0020 | 5 | Grommet, Valve MTG DSVP14 |
| 14 | 52412.0000 | 1 | Tank |
| 15 | 54320.0000 | 1 | Insulator, Tank |



WATER VALVE COMPONENTS

Serenade



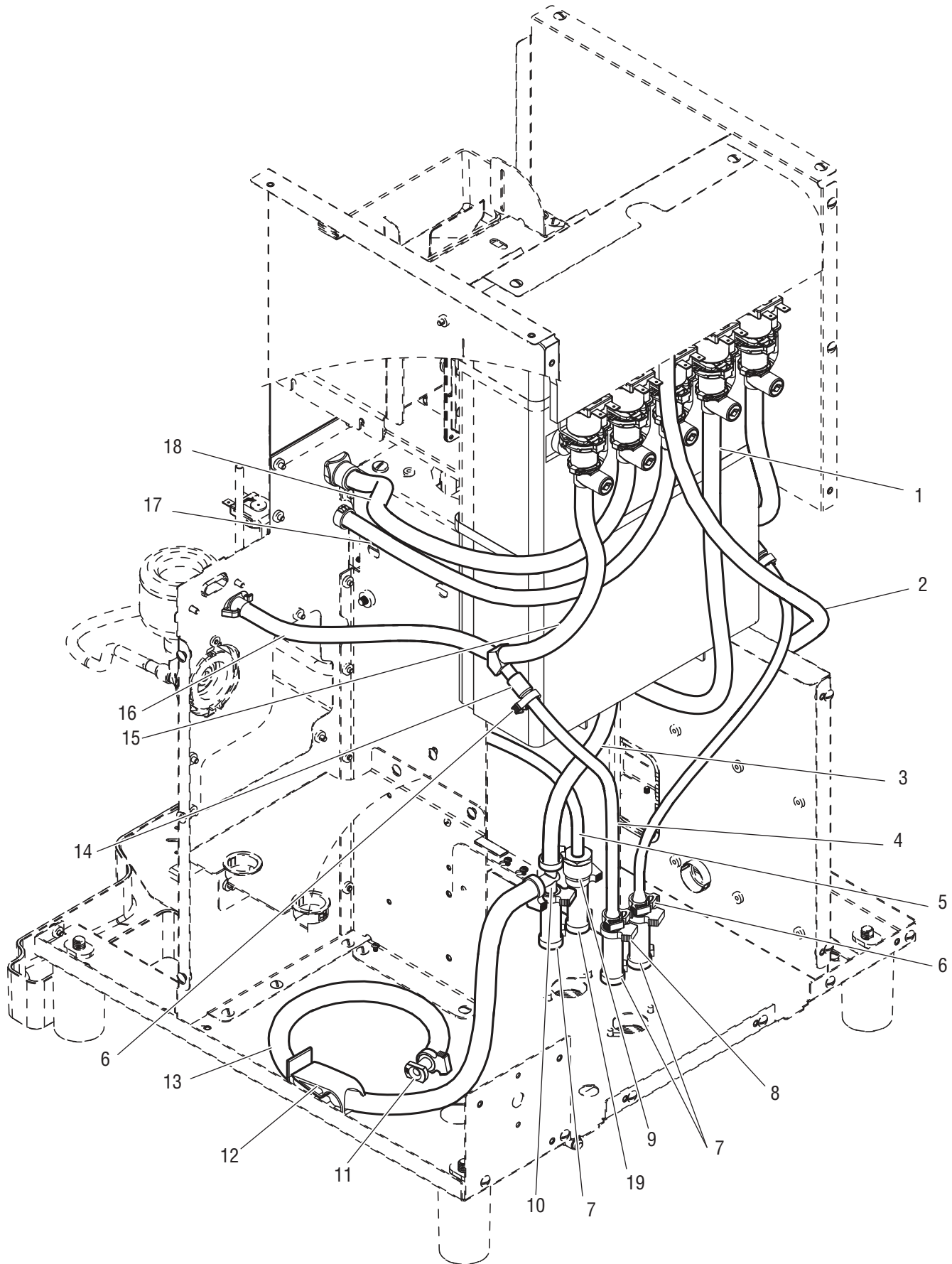
WATER VALVE COMPONENTS

| ITEM | PART NO. | QTY. | DESCRIPTION |
|------|--------------------------|--------|---|
| 1 | 39285.1005 45965.1000 | 1 5 | Kit, Dispense Valve Replacement (5 Valves) Kit, Repair Kit |
| 2 | 41579.0003 | 1 | Valve Assembly w/.75 GPM Flowcontrol |
| 3 | 41579.0004 | 1 | Valve Assembly w/.175 GPM Flowcontrol |
| 4 | 41969.1000 | 1 | Water Inlet Assembly |



WATER HOSE COMPONENTS

Serenade

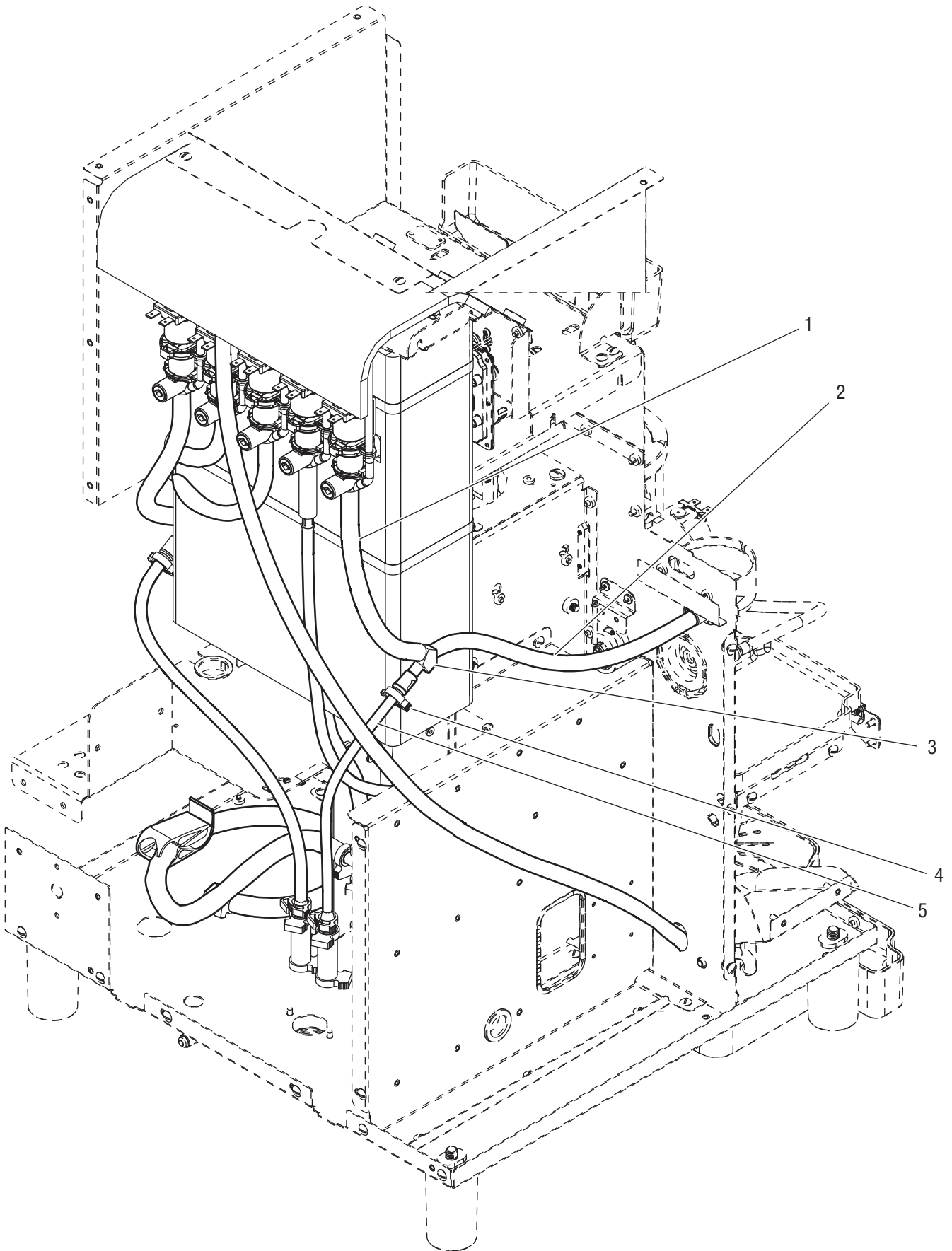


WATER HOSE COMPONENTS

| ITEM | PART NO. | QTY. | DESCRIPTION |
|------|------------|------|---|
| 1 | | 1 | Tube, Silicone .313" ID x 19.0" (order item 20) |
| 2 | | 1 | Tube, Silicone .375" ID x 29" (order item 22) |
| 3 | | 1 | Tube, Silicone .375" ID x 10.5" (order item 22) |
| 4 | | 1 | Tube, Silicone .188 ID x 12.0" (order item 21) |
| 5 | | 1 | Tube, Silicone 6mm ID x 18.7" (order item 23) |
| 6 | 12422.0011 | 4 | Clamp, Hose Snap Type 40/45 ID |
| 7 | | 3 | Tube, Silicone .375" ID x 2.0" (order item 24) |
| 8 | 12422.0001 | 8 | Clamp, Hose Snap Type 59/66ID |
| 9 | 41595.0005 | 1 | Flow Assy, TNPLT 50 GPM 38-25 |
| 10 | 38948.0001 | 1 | Fitting, Tee .375" Barb |
| 11 | 34392.0000 | 1 | Plug, Hose .375" |
| 12 | 11630.0002 | 1 | Clamp Shut Off, Tube |
| 13 | | 1 | Tube, Silicone .375" ID (order item 21) |
| 14 | 52468.1000 | 1 | Manifold Assembly with Check Valve |
| 15 | | 1 | Tube, Silicone .313" ID x 12.0" (order item 20) |
| 16 | | 1 | Tube, Silicone .313" ID x 5.0" (order item 20) |
| 17 | | 1 | Tube, Silicone .313" ID x 12.0" (order item 20) |
| 18 | | 1 | Tube, Silicone .313" ID x 14.0" (order item 20) |
| 19 | | 1 | Tube, Silicone Braided .375" ID (order item 25) |

The following items are not illustrated

| | | | |
|----|------------|---|--|
| 20 | 28526.1000 | - | Tube, Silicone .313 ID - 12 inches (Use as required) |
| | 28526.1001 | - | Tube, Silicone .313 ID - 36 inches (Use as required) |
| | 28526.1002 | - | Tube, Silicone .313 ID - 60 inches (Use as required) |
| 21 | 42916.1000 | - | Tube, Silicone .188" ID - 12 inches (Use as required) |
| | 42916.1001 | - | Tube, Silicone .188" ID - 36 inches (Use as required) |
| | 42916.1002 | - | Tube, Silicone .188" ID - 120 inches (Use as required) |
| 22 | 41193.1002 | - | Tube, Silicone .375" ID - 12 inches (Use as required) |
| | 41193.1001 | - | Tube, Silicone .375" ID - 36 inches (Use as required) |
| | 41193.1000 | - | Tube, Silicone .375" ID - 120 inches (Use as required) |
| 23 | 50732.1000 | - | Tube, Silicone 6mm ID - 12 inches (Use as required) |
| | 50732.1001 | - | Tube, Silicone 6mm ID - 36 inches (Use as required) |
| | 50732.1002 | - | Tube, Silicone 6mm ID - 120 inches (Use as required) |
| 24 | 20976.1000 | - | Tube, Silicone .375" ID - 12 inches (Use as required) |
| | 20976.1001 | - | Tube, Silicone .375" ID - 36 inches (Use as required) |
| | 20976.1002 | - | Tube, Silicone .375" ID - 120 inches (Use as required) |
| 25 | 37720.1000 | - | Tube, Silicone .375" ID - 12 inches (Use as required) |
| | 37720.1001 | - | Tube, Silicone .375" ID - 36 inches (Use as required) |
| | 37720.1002 | - | Tube, Silicone .375" ID - 120 inches (Use as required) |

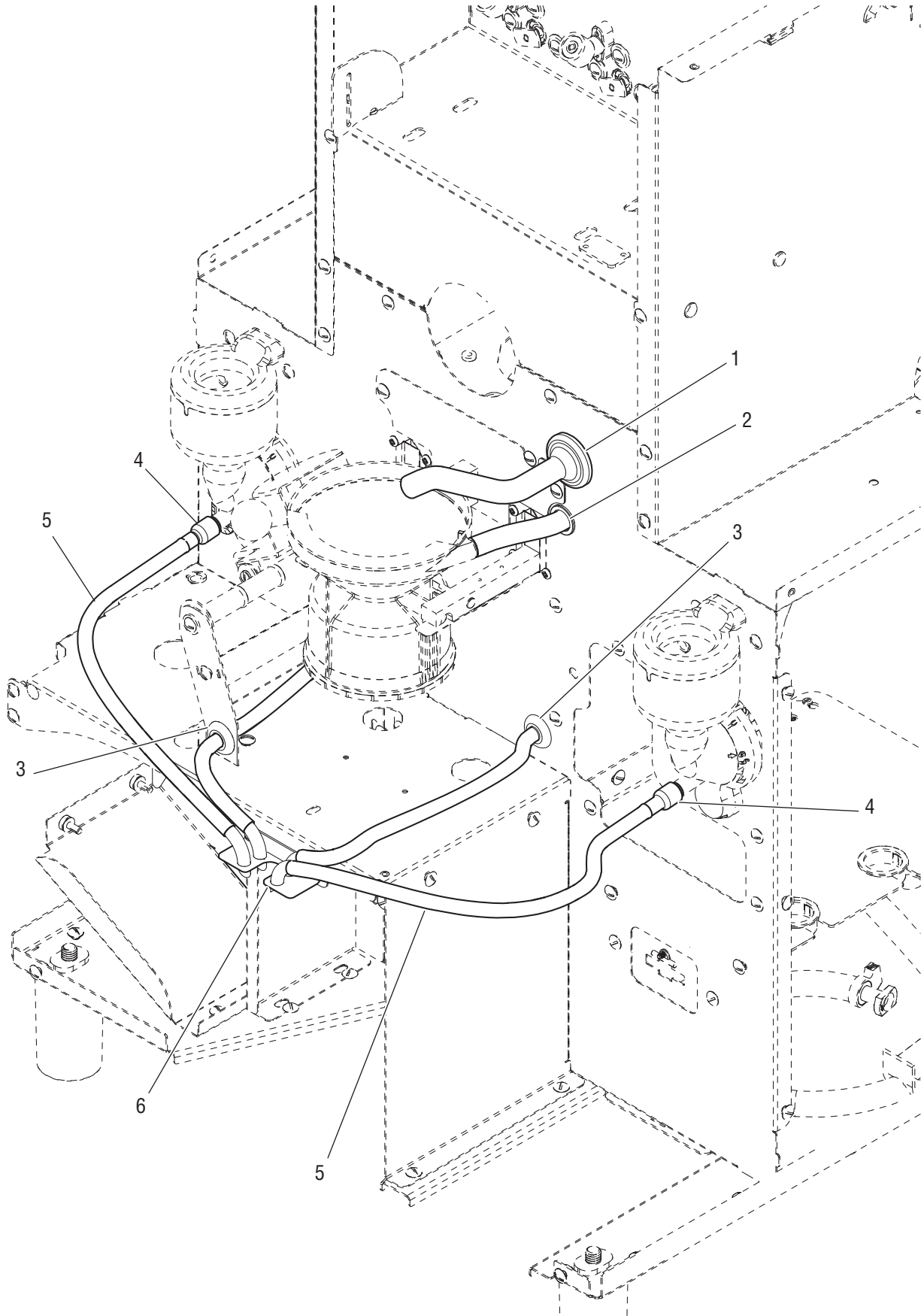


WATER HOSE COMPONENTS - continued

| ITEM | PART NO. | QTY. | DESCRIPTION |
|------|------------|------|--|
| 1 | | 1 | Tube, Silicone .313" ID x 12" (order item 6) |
| 2 | | 1 | Tube, Silicone .313" ID x 5.0" (order item 6) |
| 3 | 52468.1000 | 1 | Manifold Assembly with Check Valve |
| 4 | 12422.0011 | 1 | Clamp, Hose Snap Type 40/45 ID |
| 5 | | 1 | Tube, Silicone .188" ID x 9.5" (order item 7) |

The following items are not illustrated

| | | | |
|---|------------|---|---|
| 6 | 28526.1000 | - | Tube, Silicone .313 ID - 12 inches (Use as required) |
| | 28526.1001 | - | Tube, Silicone .313 ID - 36 inches (Use as required) |
| | 28526.1002 | - | Tube, Silicone .313 ID - 60 inches (Use as required) |
| 7 | 42916.1000 | - | Tube, Silicone .188" ID - 12 inches (Use as required) |
| | 42916.1001 | - | Tube, Silicone .188" ID - 36 inches (Use as required) |
| | 42916.1002 | - | Tube, Silicone .188" ID - 60 inches (Use as required) |



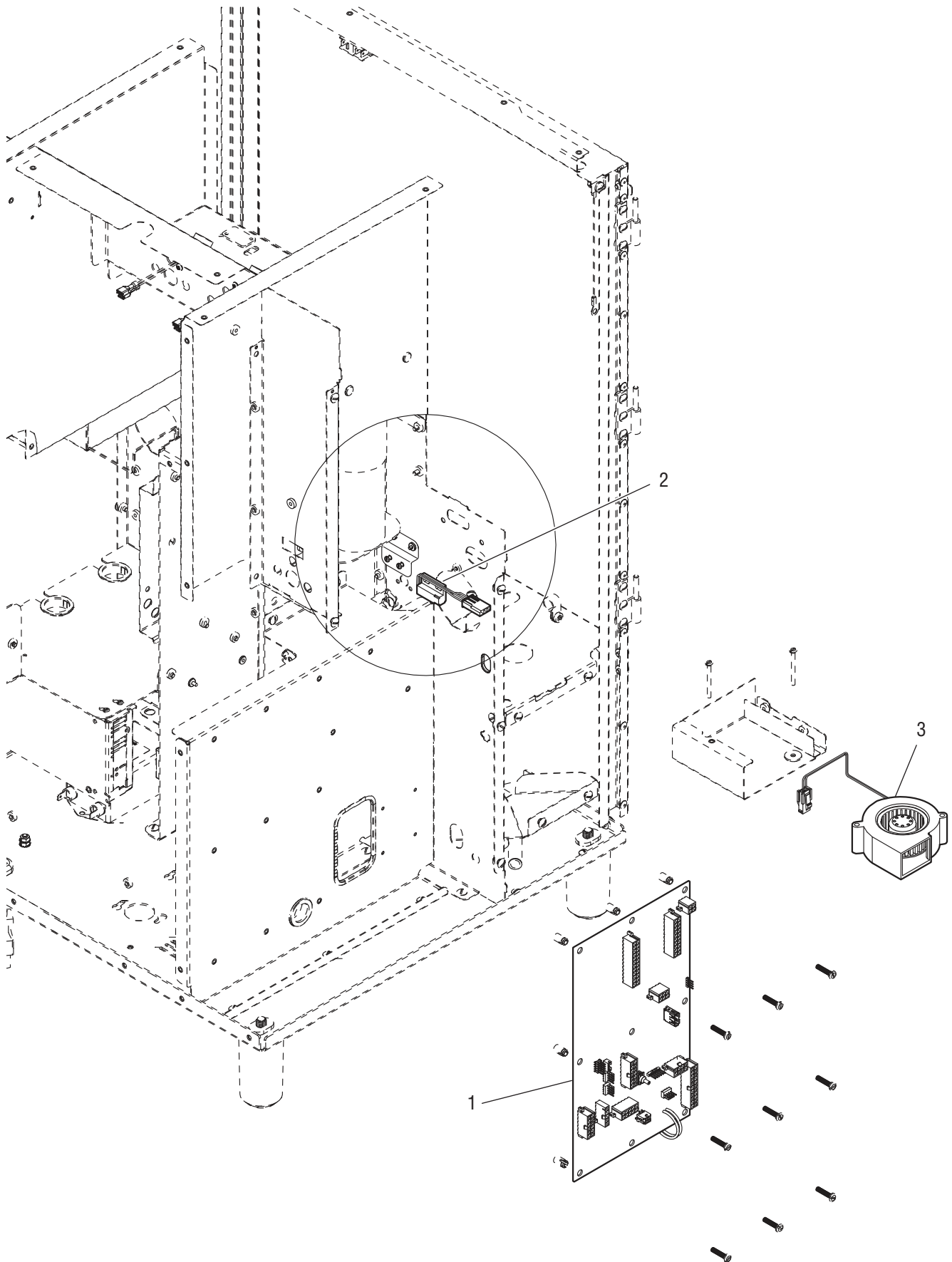
WATER HOSE COMPONENTS - continued

| ITEM | PART NO. | QTY. | DESCRIPTION |
|--|------------|------|---|
| 1 | 53129.0000 | 1 | Tube, Hot Water Dispense |
| 2 | 07070.0000 | 1 | Bushing, Snap .687 Dia. |
| 3 | 02536.0000 | 3 | Grommet, Silicone .375 Dia. |
| 4 | 53319.0000 | 2 | Fitting, 6mm Hose Barb |
| 5 | | 2 | Tube, Silicone 6mm ID x 22" (order item 7) |
| 6 | 52496.0000 | 1 | Bracket, Tube Holder |
| The following items are not illustrated | | | |
| 7 | 50732.1001 | - | Tube, Silicone 6mm ID x 36.0" (Use as required) |



ELECTRICAL COMPONENTS - LEFT SIDE

Serenade



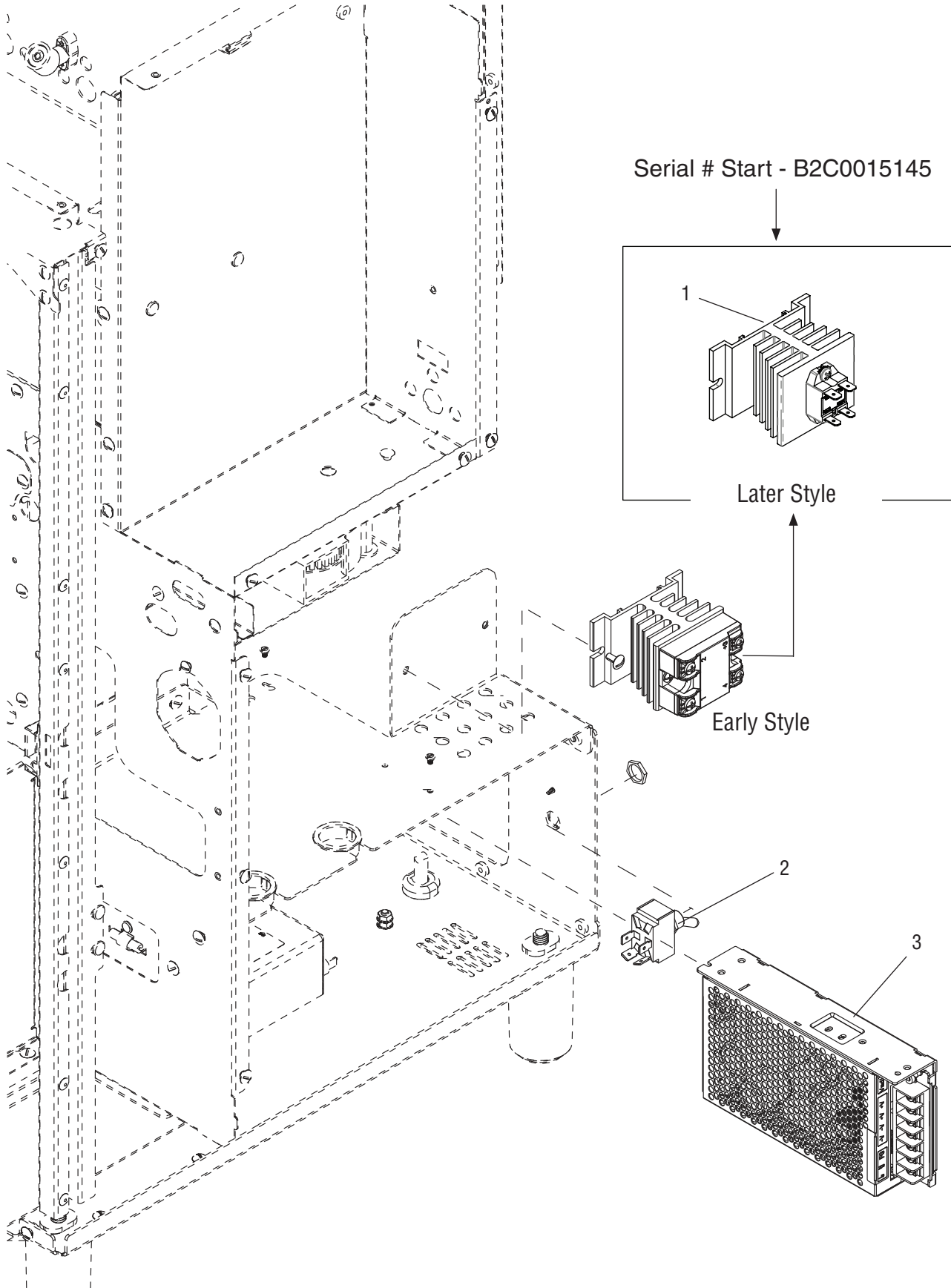
ELECTRICAL COMPONENTS - LEFT SIDE

| ITEM | PART NO. | QTY. | DESCRIPTION |
|------|------------|------|------------------------------------|
| 1 | 50632.1002 | 1 | CBA, CTRL - Sure Immersion 312 |
| 2 | 51321.1030 | 1 | Kit, RPM Sensor (Paper out Sensor) |
| 3 | 50569.0000 | 1 | Fan Assembly w/Terminals |



ELECTRICAL COMPONENTS - RIGHT SIDE

Serenade

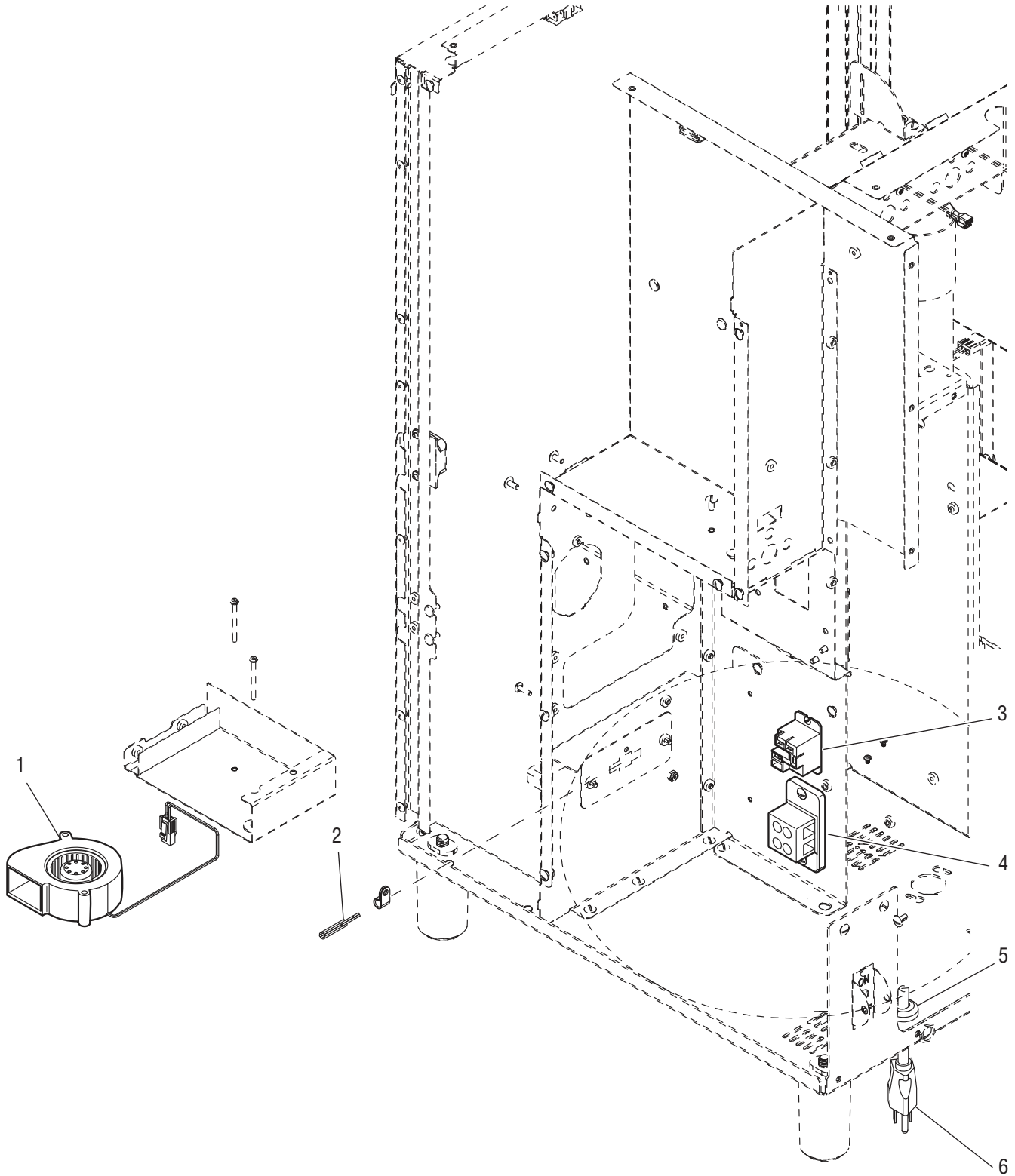


ELECTRICAL COMPONENTS - RIGHT SIDE

| ITEM | PART NO. | QTY. | DESCRIPTION |
|------|------------|------|---|
| 1 | 49266.0000 | 1 | Relay, Solid State w/ Ring Terminals (Early Style) |
| | 58195.0000 | 1 | Relay, Solid State w/ Male Spade Terminals (Later Style, Serial Number Start: B2C0015145) |
| 2 | 40763.0001 | 1 | Switch, Toggle DPST |
| 3 | 33363.0006 | 1 | Power Supply, 24VDC 6.50A 150W 120V 1 Phase |
| | 33363.0007 | 1 | Power Supply, 24VDC 6.25A 150W 230V 1 Phase (Closeout, Order Item 8) |

The following items are not illustrated

| | | | |
|---|------------|---|--|
| 4 | 36801.0001 | 1 | EMI Filter (230V Only) |
| 5 | 52744.0001 | 1 | Wiring Harness Main (Early) |
| | 52744.0002 | 1 | Wiring Harness, Main SI 312 (Later, Serial Number Start: B2C0015145) |
| 6 | 37842.0008 | 1 | Wiring Harness (Pwr Sw to EMI Filter) (230V Only) |
| 7 | 37842.0009 | 1 | Wiring Harness (EMI Filter to Term Blk) (230V Only) |
| 8 | 33363.1027 | 1 | Kit, Power Supply, 24VDC 6.3A, SI 312 |
| 9 | 52732.0002 | 1 | Wiring Harness, 312 Augers |



ELECTRICAL COMPONENTS - TRANSFORMER AND RELAYS

| ITEM | PART NO. | QTY. | DESCRIPTION |
|------|------------|------|--------------------------------|
| 1 | 50569.0000 | 1 | Fan Assembly w/Terminals |
| 2 | 53459.1000 | 1 | Reed Switch Assembly |
| 3 | 32104.0001 | 1 | Relay, 24V Coil |
| 4 | 01106.0000 | 1 | Terminal Block, 2-Pole Wht/Blk |
| 5 | 01686.0000 | 1 | Bushing, Strain RLF-STR |
| 6 | 20630.0008 | 1 | Cord Assembly, PWR 16/3-15P |



Page intentionally left blank.

KITS

Packaging Kit: **52990.1000** (not illustrated)

| | | | |
|---|----------------------------|---|--------------------------------------|
| 1 | 50766.0001 | 1 | Paper Roll |
| 2 | 26367.0000 | 1 | Dispense Nozzle Cleaning Brush |
| 3 | 42933.0001 | 1 | Cleaning Tablets, 1 Jar (32 Tablets) |
| 4 | 53460.1000 | 1 | Grounds Funnel |
| 5 | 53460.1001 | 1 | Grounds Bin |
| 6 | 53493.1000 | 1 | Kit, Brush with Hangar |
| | 53493.0000 | 1 | Cleaning Brush |

BUNNLink Kit: **48694.1003** (not illustrated)

| | | | |
|---|----------------------------|---|-----------------|
| 1 | 48694.0000 | 1 | CBA |
| 2 | 51269.0000 | 1 | Antenna |
| 3 | 53737.0000 | 1 | Antenna Adapter |
| 4 | 53306.0000 | 1 | Wiring Harness |

E-Pay Kit: **53634.1000** (not illustrated)

| | | | |
|---|----------------------------|---|------------------------------------|
| 1 | 53752.0000 | 1 | Card Reader System |
| 2 | 53812.0000 | 1 | Test Card |
| 3 | 53751.0000 | 1 | E-Pay Lower Door Assy w/ADA Switch |

Usb Software Kit: **54165.1003**

Assembled inlet water manifold: **41969.1000** (not illustrated)

| | | | |
|---|----------------------------|---|----------------------|
| 1 | 41969.0000 | 1 | Water Inlet Assembly |
| 2 | 00436.0001 | 1 | Flare Union Fitting |
| 3 | 37297.0006 | 2 | Hose Fitting Elbow |