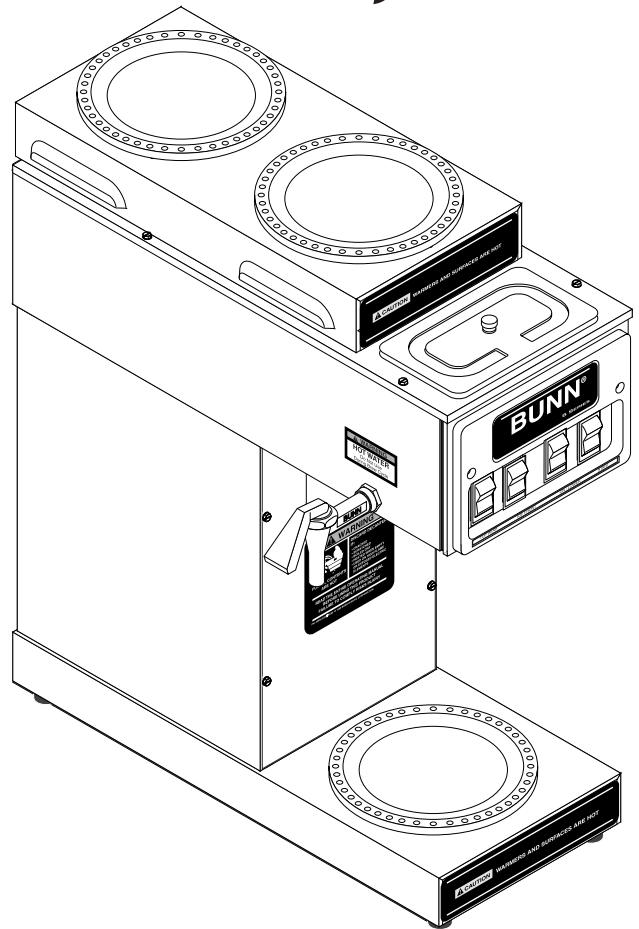
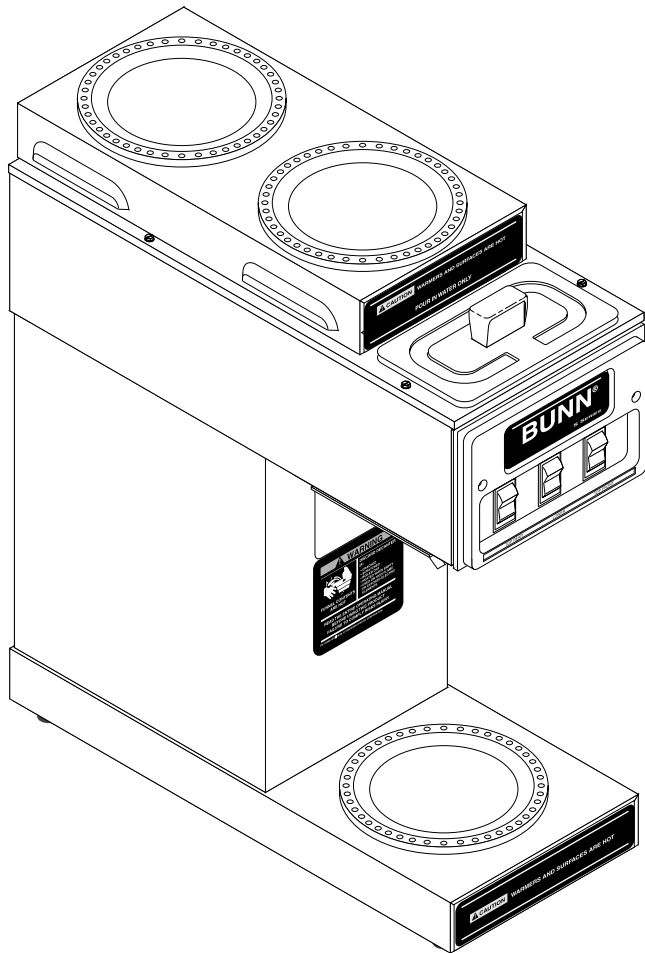


BUNN®

S, SA ST, STA STF, STFA



ILLUSTRATED PARTS CATALOG

Designs, materials, weights, specifications, and dimensions for equipment or replacement parts are subject to change without notice.

BUNN-O-MATIC CORPORATION

POST OFFICE BOX 3227

SPRINGFIELD, ILLINOIS 62708-3227

PHONE: (217) 529-6601 FAX: (217) 529-6644

BUNN-O-MATIC COMMERCIAL PRODUCT WARRANTY

Bunn-O-Matic Corp. ("BUNN") warrants equipment manufactured by it as follows:

- 1) All equipment other than as specified below: 2 years parts and 1 year labor.
- 2) Electronic circuit and/or control boards: parts and labor for 3 years.
- 3) Compressors on refrigeration equipment: 5 years parts and 1 year labor.
- 4) Grinding burrs on coffee grinding equipment to grind coffee to meet original factory screen sieve analysis: parts and labor for 3 years or 30,000 pounds of coffee, whichever comes first.

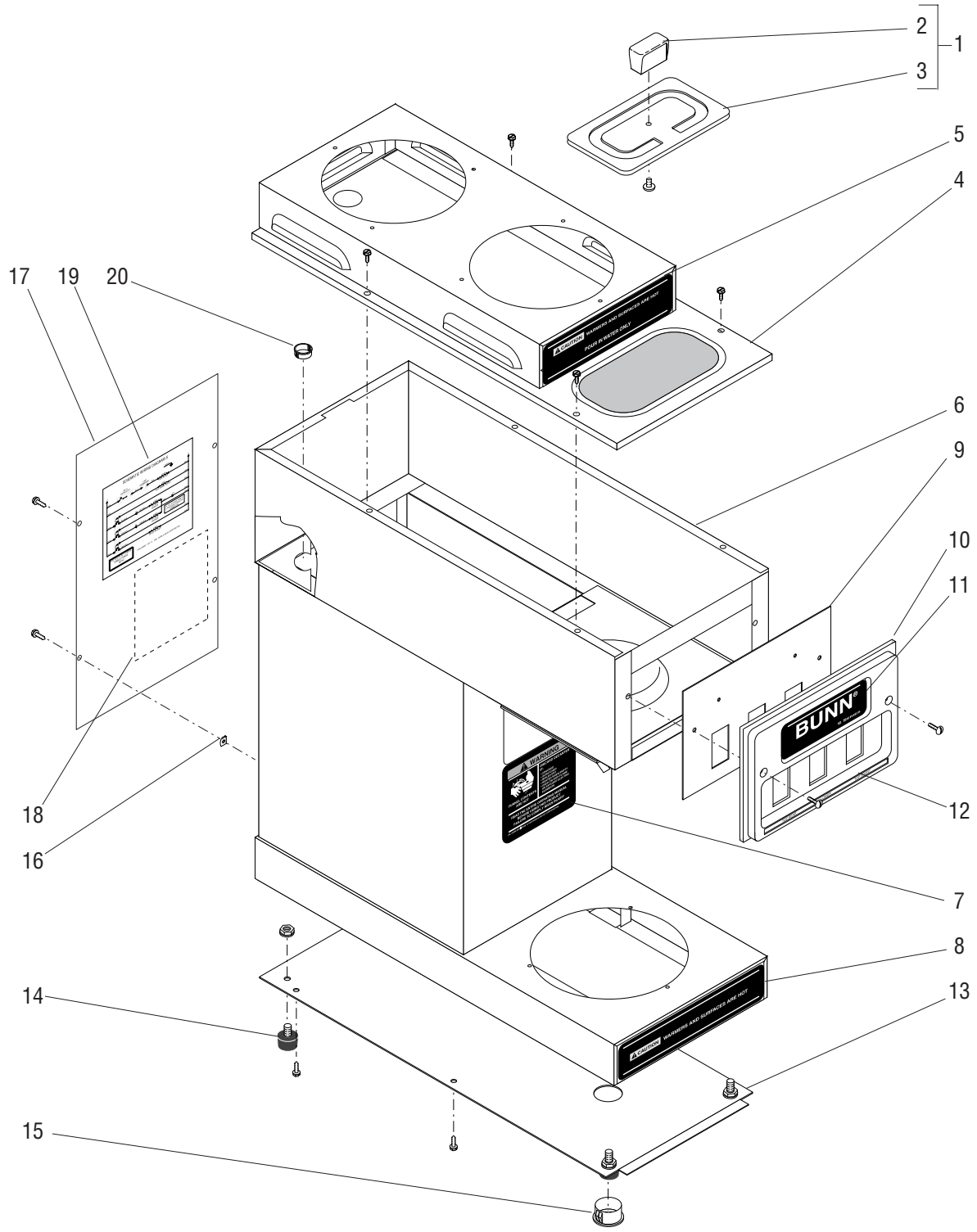
These warranty periods run from the date of installation BUNN warrants that the equipment manufactured by it will be commercially free of defects in material and workmanship existing at the time of manufacture and appearing within the applicable warranty period. This warranty does not apply to any equipment, component or part that was not manufactured by BUNN or that, in BUNN's judgment, has been affected by misuse, neglect, alteration, improper installation or operation, improper maintenance or repair, damage or casualty. This warranty is conditioned on the Buyer 1) giving BUNN prompt notice of any claim to be made under this warranty by telephone at (217) 529-6601 or by writing to Post Office Box 3227, Springfield, Illinois 62708-3227; 2) if requested by BUNN, shipping the defective equipment prepaid to an authorized BUNN service location; and 3) receiving prior authorization from BUNN that the defective equipment is under warranty.

THE FOREGOING WARRANTY IS EXCLUSIVE AND IS IN LIEU OF ANY OTHER WARRANTY, WRITTEN OR ORAL, EXPRESS OR IMPLIED, INCLUDING, BUT NOT LIMITED TO, ANY IMPLIED WARRANTY OF EITHER MERCHANTABILITY OR FITNESS FOR A PARTICULAR PURPOSE. The agents, dealers or employees of BUNN are not authorized to make modifications to this warranty or to make additional warranties that are binding on BUNN. Accordingly, statements by such individuals, whether oral or written, do not constitute warranties and should not be relied upon.

If BUNN determines in its sole discretion that the equipment does not conform to the warranty, BUNN, at its exclusive option while the equipment is under warranty, shall either 1) provide at no charge replacement parts and/or labor (during the applicable parts and labor warranty periods specified above) to repair the defective components, provided that this repair is done by a BUNN Authorized Service Representative; or 2) shall replace the equipment or refund the purchase price for the equipment.

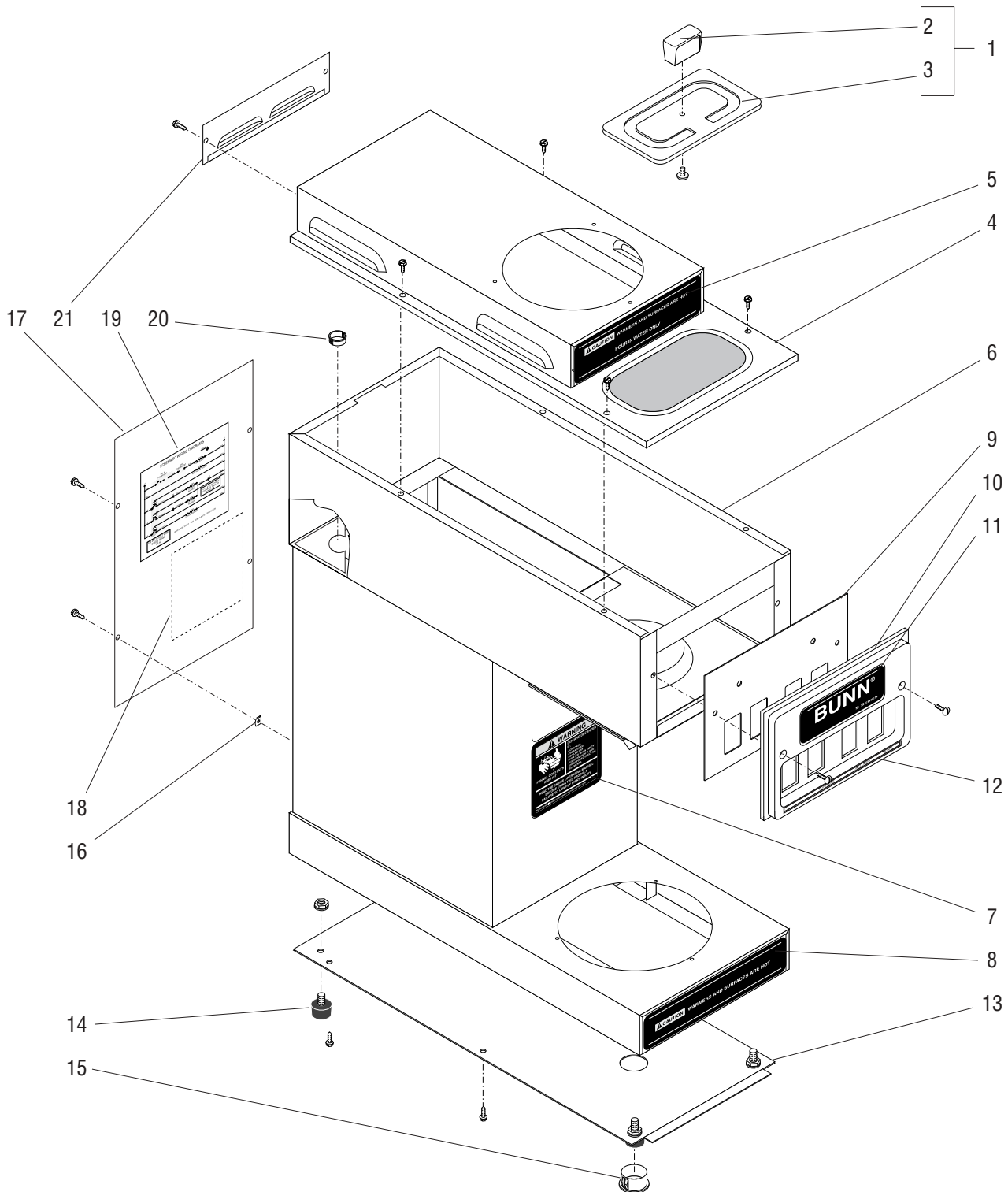
THE BUYER'S REMEDY AGAINST BUNN FOR THE BREACH OF ANY OBLIGATION ARISING OUT OF THE SALE OF THIS EQUIPMENT, WHETHER DERIVED FROM WARRANTY OR OTHERWISE, SHALL BE LIMITED, AT BUNN'S SOLE OPTION AS SPECIFIED HEREIN, TO REPAIR, REPLACEMENT OR REFUND.

In no event shall BUNN be liable for any other damage or loss, including, but not limited to, lost profits, lost sales, loss of use of equipment, claims of Buyer's customers, cost of capital, cost of down time, cost of substitute equipment, facilities or services, or any other special, incidental or consequential damages.



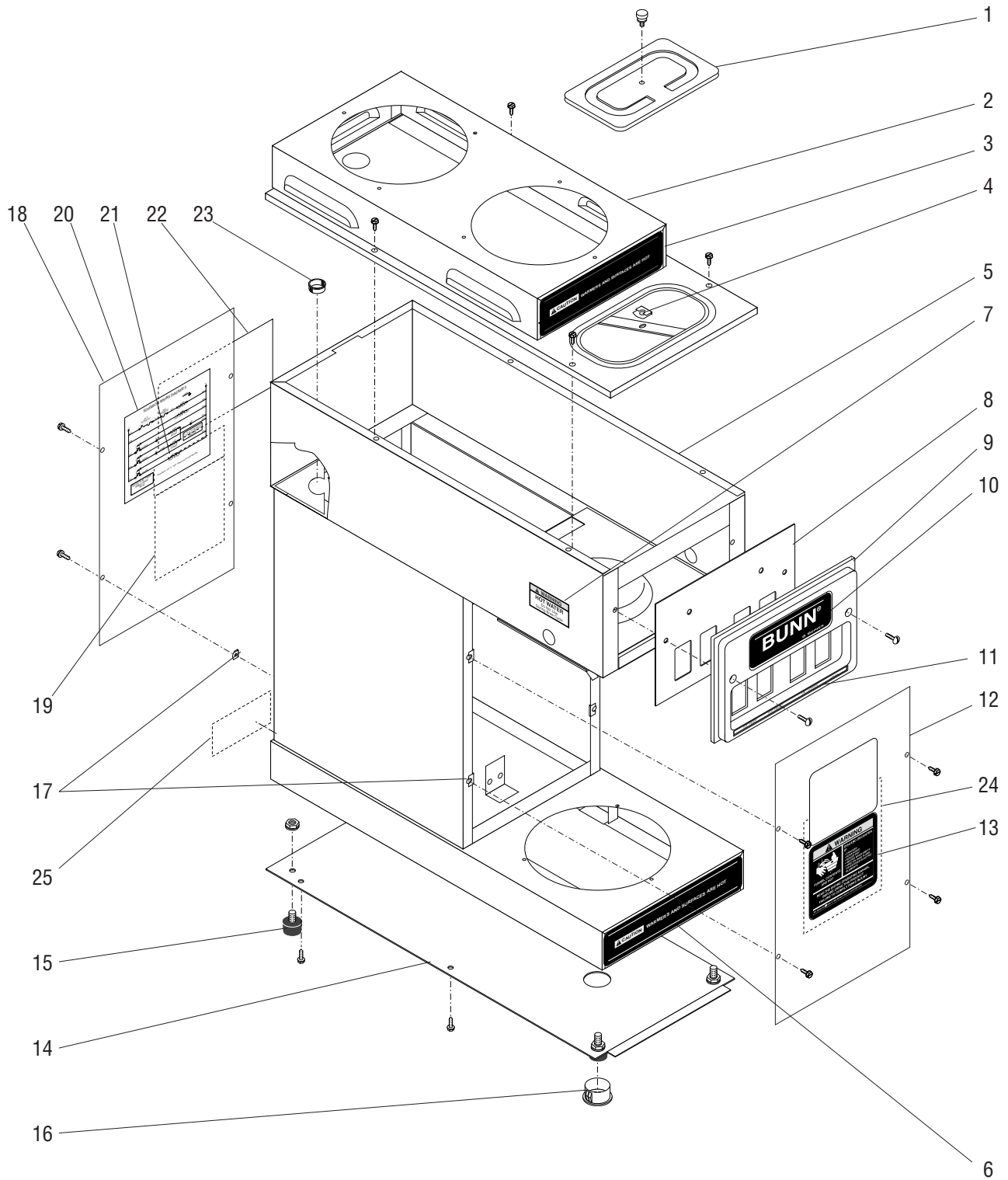
HOUSING AND COVERS

ITEM	PART NO.	QTY.	DESCRIPTION
1	02770.0000	1	Lid Assy (Includes items 2 and 3)
2	00757.0000	1	Knob
	01326.0000	1	Screw, Truss Head #10-32 x .25"
3	02722.0000	1	Lid, Pour In
4	29268.0000	1	Cover W/ Decals, Two Warmer Housing (Includes item 5)
	02690.0000	1	Cover, Top (No Top Warmer)
	01380.0000	4	Screw, Truss Head #8-32 x .50"
5	02763.0000	1	Decal, CAUTION-HOT SURFACE/POUR IN WATER ONLY
6	29255.0000	1	Housing W/ Decals, Main (Model S)(Includes items 7 and 8)
	29256.0000	1	Housing w/Decals (120/240V)(No Faucet)(Includes item 8)
	-----	1	Housing, Main (Model SA)(Contact BUNN-O-MATIC for availability)
7	00658.0000	1	Decal, Warning DECANTER/FUNNEL
8	02769.0000	1	Decal, CAUTION-HOT SURFACE
9	02750.0000	1	Plate, Backup (w/out ready light)
	02626.0000	1	Plate, Backup (w/ready light)
10	02721.0000	1	End Cap, Front (w/out ready light)
	02625.0000	1	End Cap, Front (w/ready light)
	02301.0000	2	Screw, Phillips Pan Head #6-32 x .625"
11	02751.0000	1	Decal, BUNN S Series
12	02762.0000	1	Label, Switch (Two Upper Warmers)(w/out ready light)
	02627.0000	1	Label, Switch (Two Upper Warmers)(w/ready light)
	02821.0000	1	Label, Switch (No Top Warmer)
13	02734.0000	1	Plate, Bottom Base
	02335.0001	4	Screw, Hex-Crimptite #8-32 x .375"
14	25137.0002	4	Foot
	00970.0000	4	Nut, KEPS #8-32
15	03011.0000	1	Plug, Vent
16	00917.0000	4	Fastener, "J" Type #8-32
17	29270.0000	1	Panel W/ Decals, Back(Includes items 18. Also order item 19)
	01311.0000	4	Screw, Truss Head #8-32 x .25"
18	00831.0000	1	Decal, Warning Electrical
19	10043.0000	1	Schematic, Electrical, 120V (Model S)
	-----	1	Schematic, Electrical, 230V (Model SA)(Not Serviced)
	-----	1	Schematic, Electrical, 120/240V (Model S)(Not Serviced)
20	00606.0000	1	Bushing



HOUSING AND COVERS

ITEM	PART NO.	QTY.	DESCRIPTION
1	02770.0000	1	Lid Assy (Includes items 2 and 3)
2	00757.0000	1	Knob
	01326.0000	1	Screw, Truss Head #10-32 x .25"
3	02722.0000	1	Lid, Pour In
4	29269.0000	1	Cover W/Decal, Top Housing, Pour In(One Upper Warmer)(Includes item 5)
	01380.0000	4	Screw, Truss Head #6-32 x .50"
5	02763.0000	1	Decal, CAUTION-HOT SURFACE/POUR IN WATER ONLY
6	-----	1	Housing, Main (Contact BUNN-O-MATIC for availability)
7	00658.0000	1	Decal, Warning DECANter/FUNNEL
8	02769.0000	1	Decal, CAUTION-HOT SURFACE
9	02626.0000	1	Plate, Backup
10	02625.0000	1	End Cap, Front
	02301.0000	2	Screw, Phillips Pan Head #6-32 x .625"
11	02751.0000	1	Decal, BUNN S Series
12	02958.0000	1	Label, Switch
13	02734.0000	1	Plate, Bottom Base
	02335.0001	4	Screw, Hex-Crimptite #8-32 x .375"
14	25137.0002	4	Foot
	00970.0000	4	Nut, KEPS #8-32
15	03011.0000	1	Plug, Vent
16	00917.0000	4	Fastener, "J" Type #8-32
17	29270.0000	1	Panel W/Decal (Includes item 18)
	01311.0000	4	Screw, Truss Head #8-32 x .25"
18	00831.0000	1	Decal, Warning Electrical
19	-----	1	Schematic, Electrical, 100V (Model SDB)(Not Serviced)
20	00606.0000	1	Bushing
21	02732.0000	1	Cover, Back
	01311.0000	2	Screw, Truss Head #8-32 x .25"
	00917.0000	2	Fastener, "J" Type #8-32

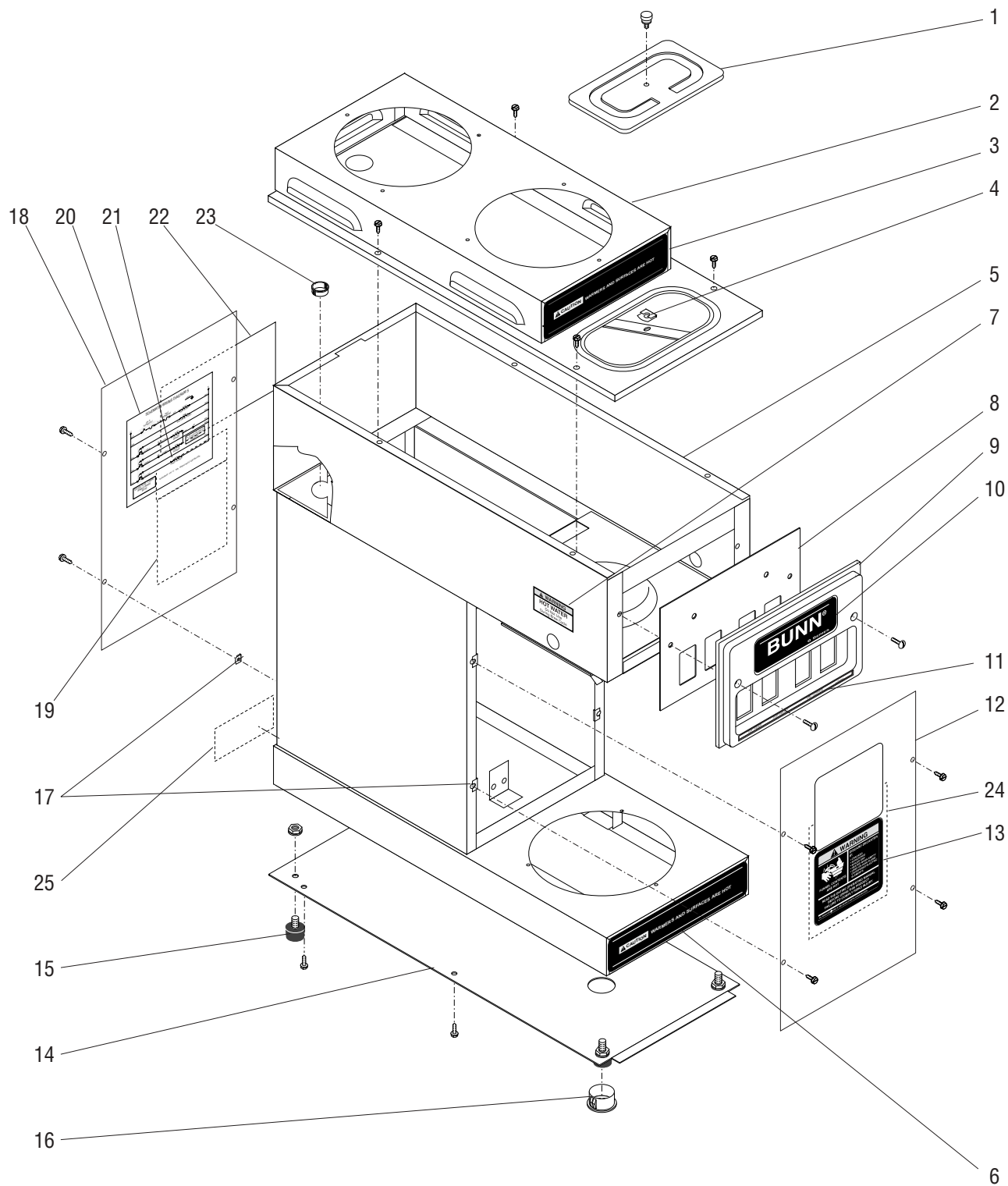


HOUSING AND COVERS

ITEM	PART NO.	QTY.	DESCRIPTION
1	02722.0000	1	Lid
	01319.0000	1	Screw, Thumb #8-32 x .75"
2	29268.0001	1	Cover W/Decals, Two Top Warmer Housing (Includes items 3 & 4)
	02811.1007	1	Cover, Housing (No Top Warmer)(Includes items 1 & 4)
	01380.0000	4	Screw, Truss Head #6-32 x .50"
3	02765.0000	1	Decal, CAUTION-HOT SURFACE
4	00912.0000	1	Fastener, "J" Type #8-32
5	29256.0000	1	Housing W/Decals, (120V & 120/240V)(No Faucet)(Includes item 6)
	29256.0001	1	Housing W/Decals, (120V & 120/240V)(Faucet Right)(Includes items 6 and 7)
	29256.0002	1	Housing W/Decals, (120V & 120/240V)(Faucet Left)(Includes items 6 and 7)
	-----	1	Housing (230V)(No Faucet)(Contact BUNN-O-MATIC for availability)
	-----	1	Housing (230V)(Faucet Right)(Contact BUNN-O-MATIC for availability)
	-----	1	Housing W/ 7.62" Wide Funnel (230V)(No Faucet)(Contact BUNN-O-MATIC for availability)
	-----	1	Housing W/ 7.62" Wide Funnel (230V)(Faucet Right)(Contact BUNN-O-MATIC for availability)
6	02769.0000	1	Decal, CAUTION-HOT SURFACE
7	00882.0000	1	Decal, WARNING HOT WATER
8	02626.0000	1	Plate, Backup (4 Hole)
	02750.0000	1	Plate, Backup (3 Hole)(No Top Warmer)
9	02625.0000	1	Cap, End (4 Hole)
	02721.0000	1	Cap, End (3 Hole)(No Top Warmer)
	02301.0000	2	Screw, Pan Head #6-32 x .625"
10	02751.0000	1	Decal, BUNN S Series
11	02627.0000	1	Label (Two Upper Warmers)
	02820.0000	1	Label (No Top Warmer)
	21239.0000	1	Label (Ready Light)
12	29270.0001	1	Panel W/Decals, Front (Includes item 13)
	01311.0000	4	Screw, Truss Head #8-32 x .25"
13	00658.0000	1	Decal, CAUTION-DECANTER/FUNNEL
14	02734.0000	1	Plate, Bottom Base
	02335.0001	4	Screw, Hex-Crimptite #8-32 x .375"
15	25137.0002	4	Foot
	00970.0000	4	Nut, KEPS #8-32
16	03011.0000	1	Plug, Vent
17	00917.0000	8	Fastener, "J" Type #8-32
18	29270.0002	1	Panel W/Decals, Back (Includes items 19 & 21. Also order item 20)
	01311.0000	4	Screw, Truss Head #8-32 x .25"
19	00831.0000	1	Decal, WARNING-ELECTRICAL

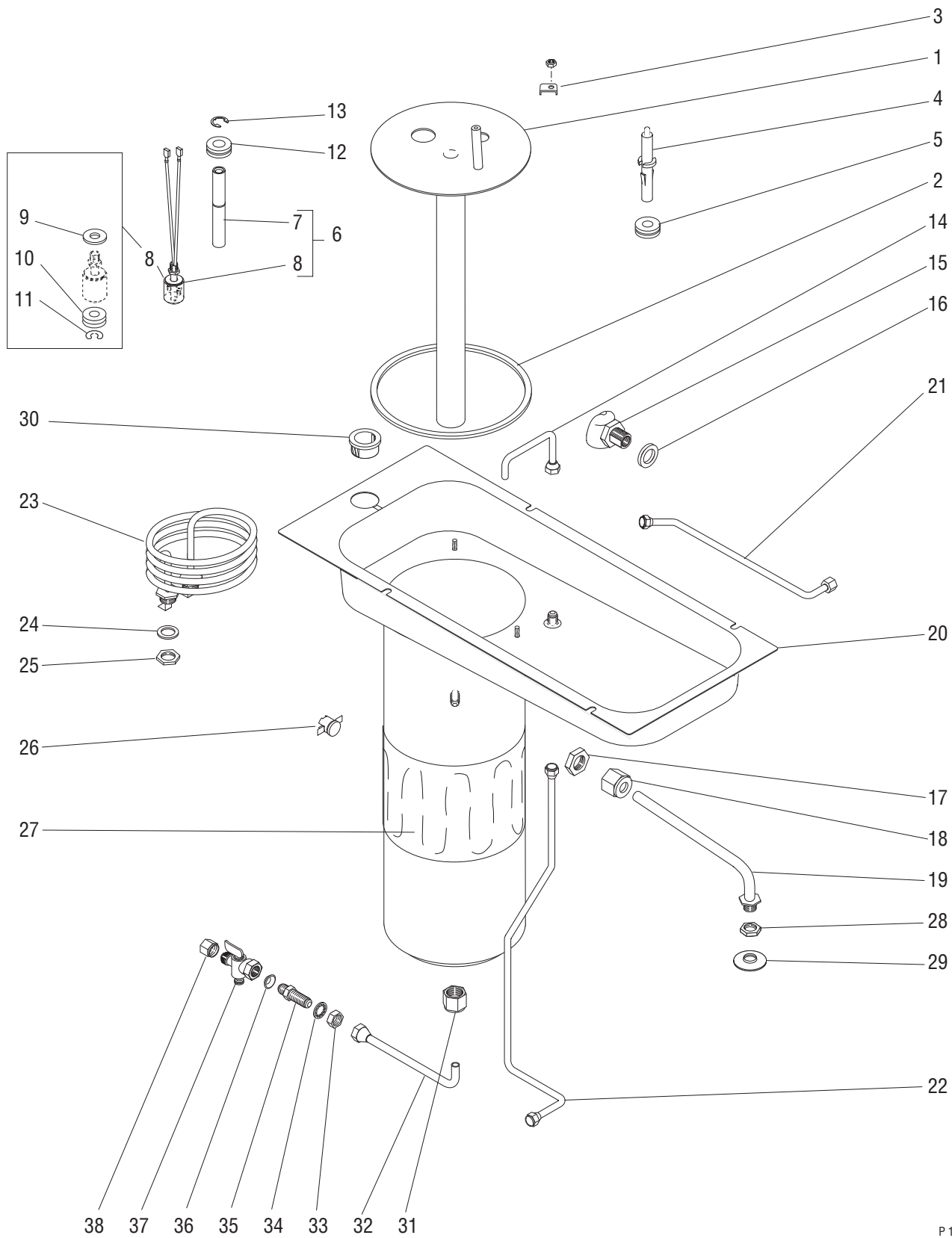
(Continued)

(Continued)



HOUSING AND COVERS

ITEM	PART NO.	QTY.	DESCRIPTION
20	10272.0000	1	Schematic (120V)(Model ST, STP)
	-----	1	Schematic (240V)(Model STA, STPA)(Not available)
	-----	1	Schematic (100V)(Model STB)(Not available)
	10292.0000	1	Schematic (120, 240V)(Model STF, STFP)
	10292.0002	1	Schematic (120 & 120/240V) (Model STF) (No Top Warmer)
	-----	1	Schematic (230V)(Model STFA, STFPA)(Not available)
	-----	1	Schematic (230V)(Model STFA)(No Top Warmer)(Not available)
	-----	1	Schematic (200V)(Model STFDB)(Not available)
	-----	1	
21	00656.0000	1	Decal, COMPLIANCE TO PLUMBING CODE
22	06060.1000	1	Decal, NOTICE-ELECTRICAL INSTALLATION (Not applicable to 15 amp units)
23	00606.0000	1	Bushing
24	32540.0000	1	Decal, Timer Batch Set (Models with Digital Timer)
25	33450.0000	1	Decal, Drain Notice (STFDB)



TANK AND BASIN

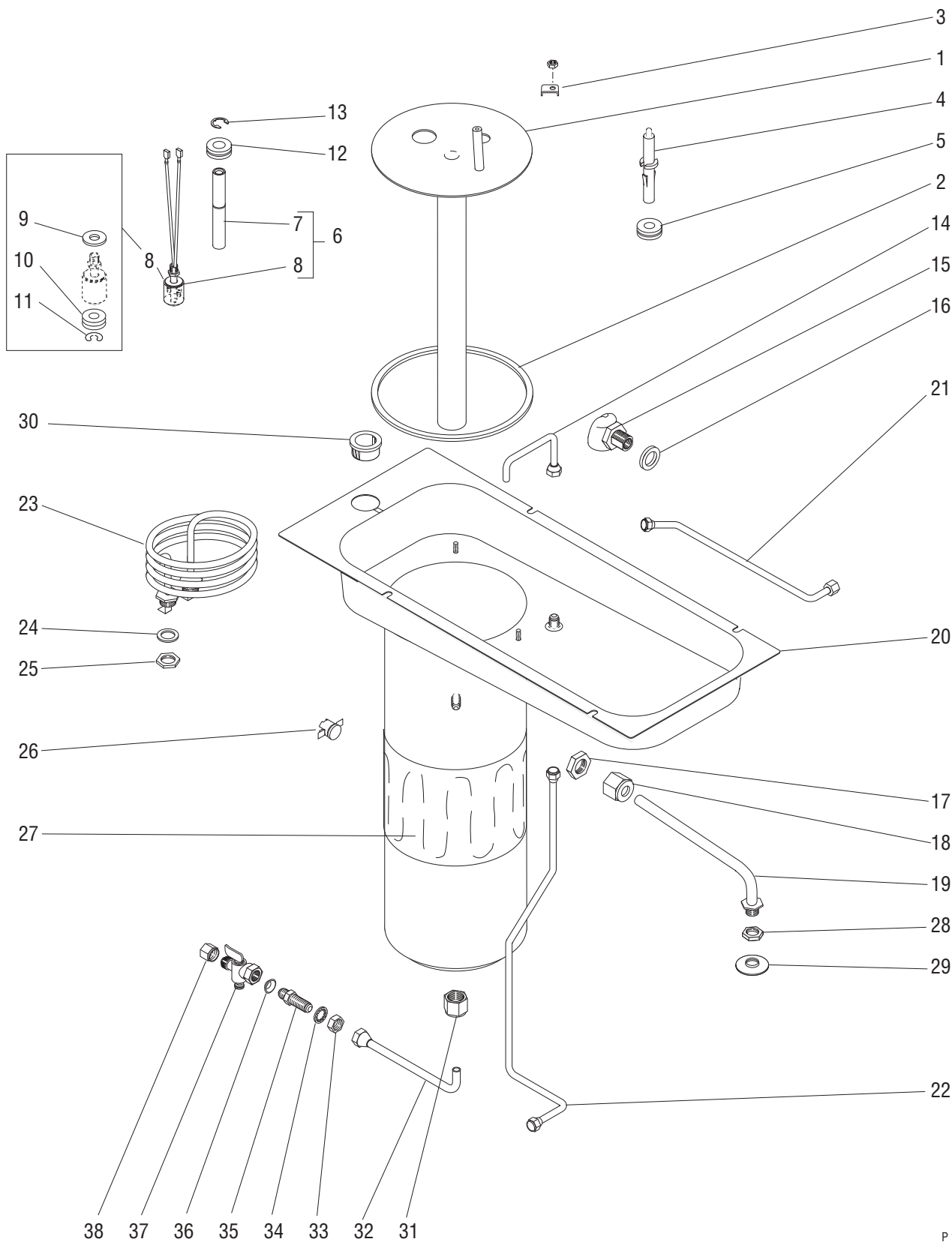
ITEM	PART NO.	QTY.	DESCRIPTION	
-	02604.1001	1	Tank Assy, Mod. S (1425W, 120V)	<div style="display: flex; align-items: center;"> <div style="border-left: 1px solid black; border-right: 1px solid black; border-bottom: 1px solid black; width: 20px; height: 20px; margin-right: 5px;"></div> <div style="margin-left: 5px;">Includes items 1 thru 3, 12 thru 20 & 22 thru 27</div> </div> <div style="display: flex; align-items: center; margin-top: 10px;"> <div style="border-left: 1px solid black; border-right: 1px solid black; border-bottom: 1px solid black; width: 20px; height: 20px; margin-right: 5px;"></div> <div style="margin-left: 5px;">Includes items 1 thru 5 & 12 thru 27</div> </div> <div style="display: flex; align-items: center; margin-top: 10px;"> <div style="border-left: 1px solid black; border-right: 1px solid black; border-bottom: 1px solid black; width: 20px; height: 20px; margin-right: 5px;"></div> <div style="margin-left: 5px;">Not Available. Order Components</div> </div>
	02604.1003	1	Tank Assy, Mod. ST-15 (1425W, 120V)	
	02604.1004	1	Tank Assy, Mod. ST-20 (1800W, 120V)	
	02604.1005	1	Tank Assy, Mod. ST-35 (3500W, 120/240V)	
	02604.1006	1	Tank Assy, Mod. STF-15, Faucet Right (1425W, 120V)	
	02604.1009	1	Tank Assy, Mod. STF-15, Faucet Left (1425W, 120V)	
	02604.1007	1	Tank Assy, Mod. STF-20, Faucet Right (1800W, 120V)	
	02604.1010	1	Tank Assy, Mod. STF-20, Faucet Left (1800W, 120V)	
	02604.1008	1	Tank Assy, Mod. STF-35, Faucet Right (3500W, 120/240V)	
	02604.1011	1	Tank Assy, Mod. STF-35, Faucet Left (3500W, 120/240V)	
	-----	1	Tank Assy, Mod. SA (1850W, 230V)	
	-----	1	Tank Assy, Mod. SDB (1600W, 100V)	
	-----	1	Tank Assy, Mod. STA-35 (3500W, 230V)	
	-----	1	Tank Assy, Mod. STFA-35, Faucet Right (3500W, 230V)	
	-----	1	Tank Assy, Mod. STB (3500W, 200V)	
	-----	1	Tank Assy, Mod. STFDB, Faucet Right (3500W, 200V)	
	-----	1	Tank Assy, Mod. STFA-20, Faucet Right (1850W, 230V)	
	-----	1	Tank Assy, Mod. S (3500W, 120/240V)	
1	02715.0000	1	Tank Lid (Brewers Without Faucets)	
	02829.0000	1	Tank Lid (Brewers With Faucets)	
2	02747.0000	1	Gasket, Tank Lid	
3	02775.0000	3	Bracket, Hold Down	
	00908.0000	3	Nut #8-32	
4	02803.1000	1	Probe, Liquid Level (Brewers With Faucets)(Includes Hardware)	
	01501.0000	1	Washer	
	20203.0100	1	Lockwasher #8	
	00908.0000	1	Nut #8-32	
5	02536.0000	1	Grommet (Brewers With Faucets)	

NOTE: Items 6 thru 13 are for Model SDB with rear drain only)

6	02961.1000	1	Switch, Float (Includes items 7 and 8)
7	02651.0000	1	Support
8	03803.0000	1	Switch Assy (Includes items 9 thru 11)
9	03633.0000	1	Gasket
10	-----	3	Washer, Adjusting (DO NOT USE IN THIS APPLICATION)
11	03807.0000	1	Clip, Spring
12	07075.0000	1	Grommet
13	02954.0000	1	Ring, Retaining
14	02652.0000	1	Tube, Fill Basin
15	02713.0000	1	Cup, Syphon
16	02746.0000	1	Gasket

(Continued)

(Continued)



TANK AND BASIN

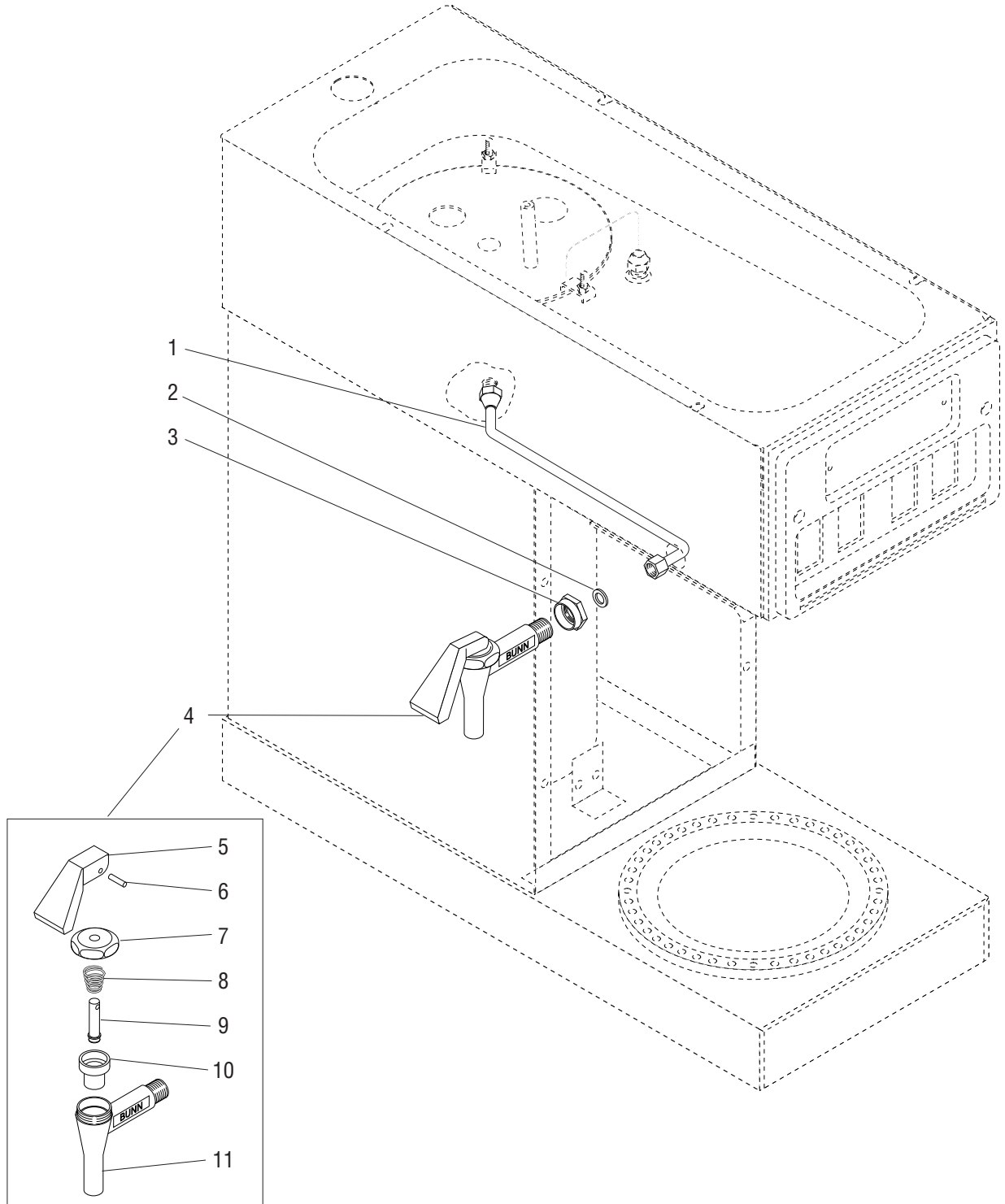
ITEM	PART NO.	QTY.	DESCRIPTION
17	02745.0000	1	Nut, Brass .562-24"
18	00929.0001	1	Nut, Compression
19	02717.0000	1	Tube, Sprayhead (Includes item 18)
20	02719.0000	1	Tank /Fill Basin, Pour Over (No Faucet)
	02667.0000	1	Tank /Fill Basin, Automatic (No Faucet)
	02668.0001	1	Tank /Fill Basin, Automatic (Faucet Right)
	02668.0002	1	Tank /Fill Basin, Automatic (Faucet Left)
	02658.0000	1	Tank /Fill Basin, (Model SDB with rear drain)
	02668.0003	1	Tank /Fill Basin, (Model STFDB with rear drain)
21	02659.0000	1	Tube, Tank To Faucet (Left and Right)
22	02653.1000	1	Tube, Fill Basin to Solenoid (Includes Connector)
	00402.0001	1	Connector .25" FLR x .125" MPT
23	02755.1000	1	Tank Heater, 1425W 120V (Includes item 24)
	02756.1000	1	Tank Heater, 1800W 120V (Includes item 24)
	02805.1000	1	Tank Heater, 1850W 240V (Includes item 24)
	05037.1000	1	Tank Heater, 3500W 240V (Includes item 24)
	20940.1000	1	Tank Heater, 1600W 100V (Includes item 24)
	20942.1000	1	Tank Heater, 3500W 200V (Includes item 24)
	28660.1000	1	Tank Heater, 2000W 240V (Includes item 24)
24	00943.0000	2	Gasket, Tank Heater
25	00942.0000	2	Nut, Brass .50-20"
26	29329.1000	1	Thermostat, Limit
27	04260.0000	1	Blanket, Warmer 50W 120V
	01927.0000	1	Blanket, Warmer 50W 220V
28	01075.0000	1	Nut, Hex .438-20"
29	01082.0000	1	Sprayhead
30	01592.0000	1	Bushing, Snap 1.0" Dia..

NOTE: Items 31 thru 38 are for Model SDB & STFDB with rear drain)

31	00929.0001	1	Nut, Compression
32	02955.0000	1	Tube, Drain
33	12757.0000	1	Nut, Brass .625-18"
34	01514.0000	1	Lockwasher .625"
35	12756.0000	1	Fitting, Bulkhead
36	32359.0000	1	Ferrule, .375" OD
37	02956.0000	1	Valve, Shut-off
38	00976.0000	1	Cap Nut .375" FLR

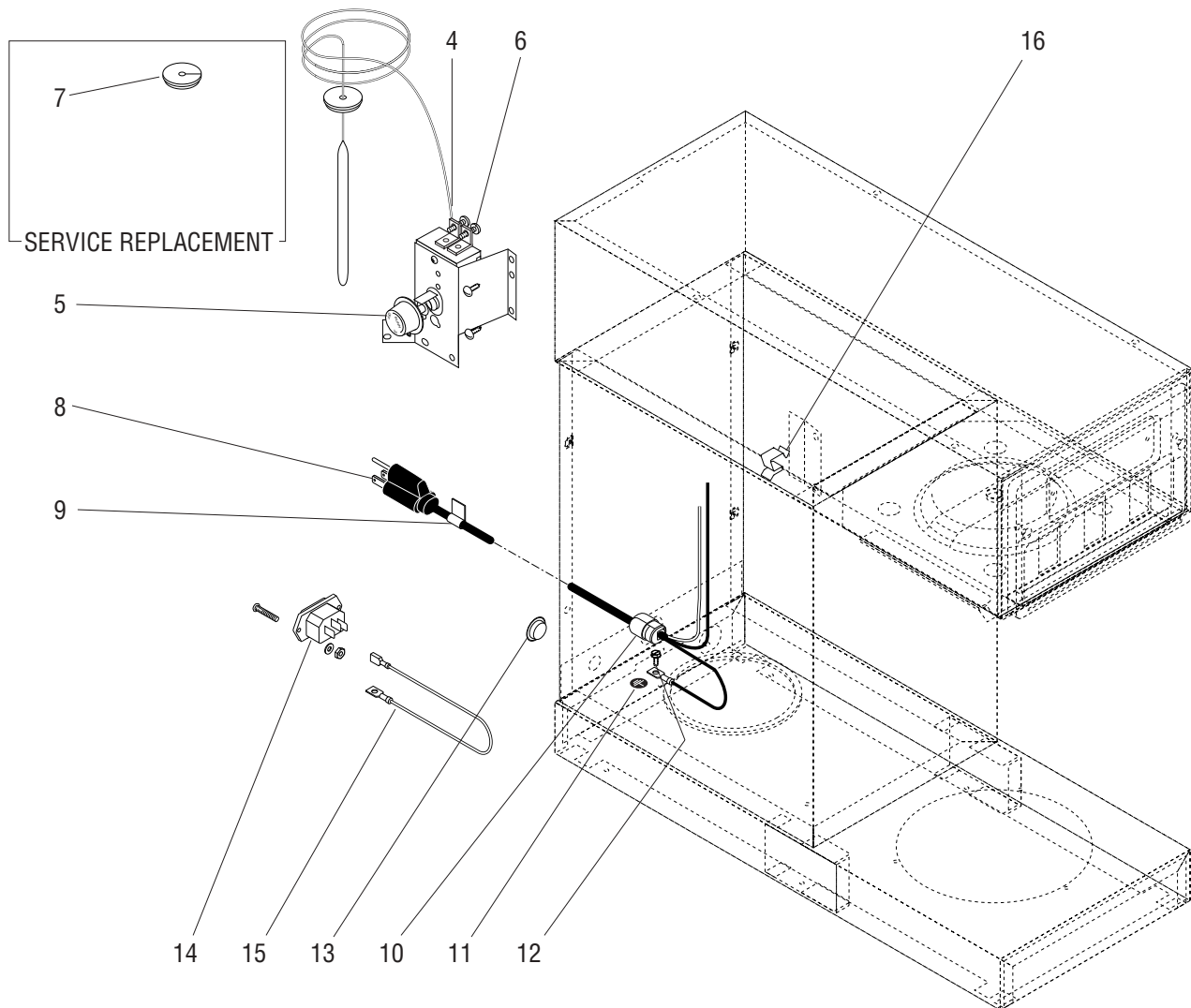
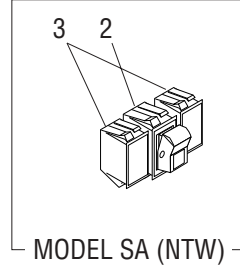
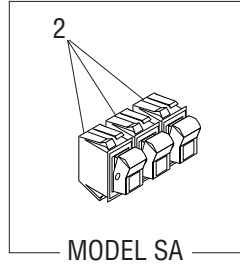
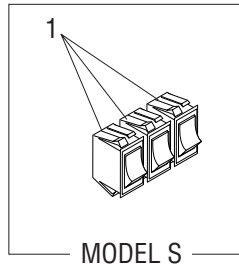
STRAINER/FLOW CONTROL

ITEM	PART NO.	QTY.	DESCRIPTION
1	02652.0000	1	Tube, Fill Basin
2	02653.1000	1	Tube, Fill Basin To Solenoid (Includes Connector)
	00402.0001	1	Connector .25" FLR x .125" MPT
3	01085.0002	1	Solenoid, 120V 1" dia. coil (Includes items 5 thru 8)
	01327.0000	2	Screw #10-32 x .375"
	01502.0000	2	Lockwasher #10
4	28005.0000	1	Solenoid, 240V (Includes items 5 and 6)
	21180.0000	1	Solenoid, 200V (Includes items 5 and 6)
	02329.0000	2	Screw, Locking #10-32 x .375"
5	28480.0000	1	Coil 120V
	28020.0000	1	Coil 240V
	21181.0000	1	Coil 200V
6	01111.0002	1	Solenoid Valve Repair Kit 120V
	28021.0000	1	Solenoid Valve Repair Kit 240V
	01111.0000	1	Solenoid Valve Repair Kit 200V
7	28479.0000	1	Base Kit (Includes O-ring)
	01079.0000	1	Base 200V
8	28481.0000	1	Guide Kit 120V (Includes Washer and O-ring)
9	02654.1000	1	Tube, Solenoid To Bulkhead (Includes Connector)
	00402.0001	1	Connector .25" FLR x .125" MPT
10	04623.0001	1	Bracket, Solenoid Mounting 120V
	28422.0000	1	Bracket, Solenoid Mounting 240V
	01311.0000	2	Screw, Truss Head #8-32 x .25"
11	02611.0000	1	Bracket, Component Mounting
	01311.0000	2	Screw, Truss Head #8-32 x .25"
12	00614.0000	1	Bushing
13	00459.0000	1	Fitting, Bulkhead .25" FLR
	01532.0000	1	Lockwasher, Internal Tooth .438"
	00463.0000	1	Nut, Brass .438-20"
14	00935.0000	1	Cap, Brass .25" FLR (For shipping purposes only)
15	00310.0000	1	Tube, Bulkhead To Strainer
16	22300.0222	1	Strainer/Flow Control Assy (.222 GPM)(Includes items 17 thru 23)
17	01154.0000	1	Flow Control Outlet
18	01155.0000	1	Gasket, Flow Control
19	-----	1	Washer, Flow Control
20	20526.1222	1	Washer/Gasket Assy (Includes items 18 and 19)
21	-----	1	Body (Order item 16)
22	23721.0000	1	Screen
23	22249.0000	1	Cap, End



FAUCET AND TUBING

ITEM	PART NO.	QTY.	DESCRIPTION
1	02659.0000	1	Tube, Tank To Faucet (Right or Left)
2	27574.0000	1	Washer, Faucet Seal
3	02850.0000	1	Nut, Faucet Jam .50-20" UNF
4	02596.1000	1	Faucet Assy (Includes items 5 thru 11)
5	02601.0000	1	Handle, Red
6	02858.0000	1	Pin
7	02854.0000	1	Nut, Bonnet
8	02595.0000	1	Spring
9	13054.0000	1	Stem
10	02766.0000	1	Cup
11	-----	1	Body (Order item 4)
12	02594.0000	-	Faucet Stem W/Pin (Includes items 6 and 9)
13	28706.0000	-	Faucet Repair Kit (Includes items 5, 6 and 8 thru 10)



ELECTRICAL AND OPERATING CONTROLS

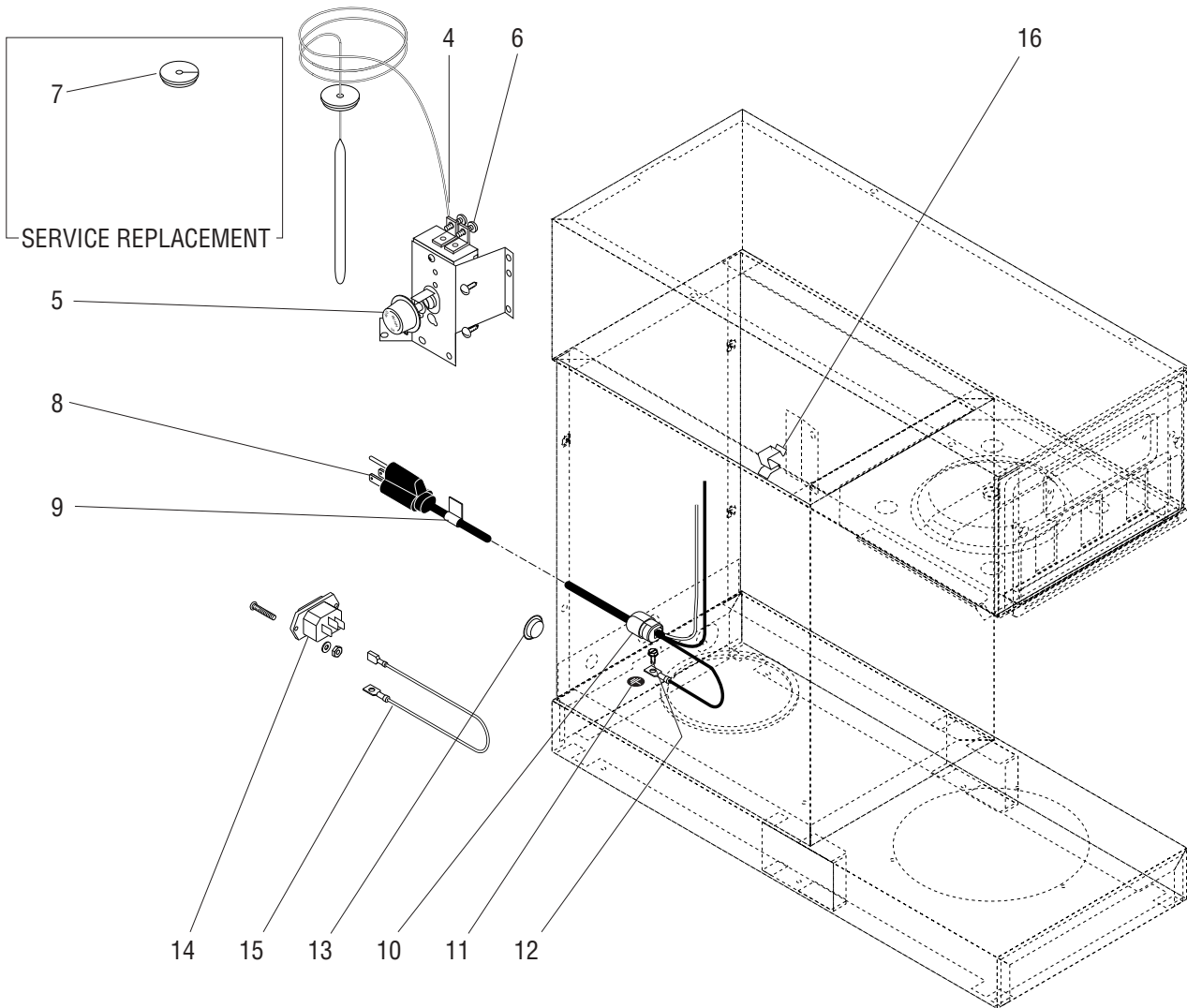
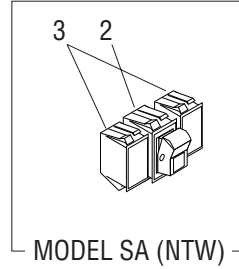
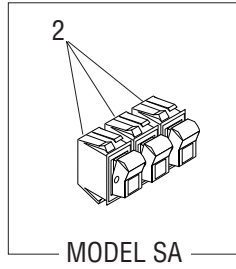
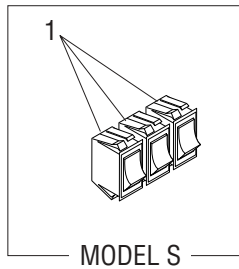
ITEM	PART NO.	QTY.	DESCRIPTION
1	02753.0000	3	Switch 120V (Model S)
2	28421.0000	3	Switch 240V (Model SA)
3	02677.0000	2	Switch Blank (Model SA with no top warmer)
4	28319.0000	1	Thermostat Kit (Includes items 5 thru 7)(Replaces Thermostats with leads)
	04314.0001	1	Thermostat Kit (Includes items 5 thru 7)(Replaces Thermostats without leads)
	01311.0000	2	Screw, Truss Head #8-32 x .25"
5	00720.0000	1	Knob
6	20762.0000	2	Screw
7	07073.0000	1	Grommet
8	01637.0000	1	Power Cord (Model S only, 120V)(Includes item 9)
	01716.0000	1	Power Cord (Model SA with Euro Cord Set only, 230V)
	28111.0001	1	Power Cord (Model SA with special Fused Plug, 230V)
9	06064.0000	1	Label, Cord Warning (Model S)
10	01686.0000	1	Bushing, Strain Relief (Model S)
11	00824.0000	1	Decal, Ground (Model SA only)
12	02337.0001	1	Screw #10-32 x .375" (Model S)
	01375.0000	1	Screw, Brass #10-32 x .50" (Model SA)
	01512.0000	1	Lockwasher #10 (Model SA)
13	05748.0001	1	Plug (Model SA)
14	01908.0000	1	Power Connector (Model SA)
	01362.0000	2	Screw #4-40 x .50"
	01509.0000	2	Lockwasher #4
	00937.0000	2	Nut #4-40
15	21016.0023	1	Lead, GRN/YEL 10" (Model SA)
16	00927.0000	1	Clip

NOTE: The following items are not illustrated

17	02759.0000	1	Harness, Main Wiring (Model S)(120V Models)
	28913.0001	1	Harness, Main Wiring (Model S)(120/240V Models)
	02701.0000	1	Harness, Main Wiring (Model SA)
	02823.0000	1	Harness, Main Wiring (Model SA with No Top Warmer)
18	25347.0000	1	Harness, Thermostat Wiring
19	21002.0009	1	Lead, Blue Thermostat Wire to Limit Thermostat
	21016.9004	1	Lead, BLU/BLK, 16.0", Thermostat to Limit Thermostat (120/240V Models)
20	21000.0061	1	Lead, Limit Thermostat to Tank Heater (Model S)
	20211.0100	1	Thermal Fuse, Limit Thermostat to Tank Heater (Model SA)
	21016.9005	1	Lead, BLK, 18.0", Thermostat to Tank Heater (120/240V Models)

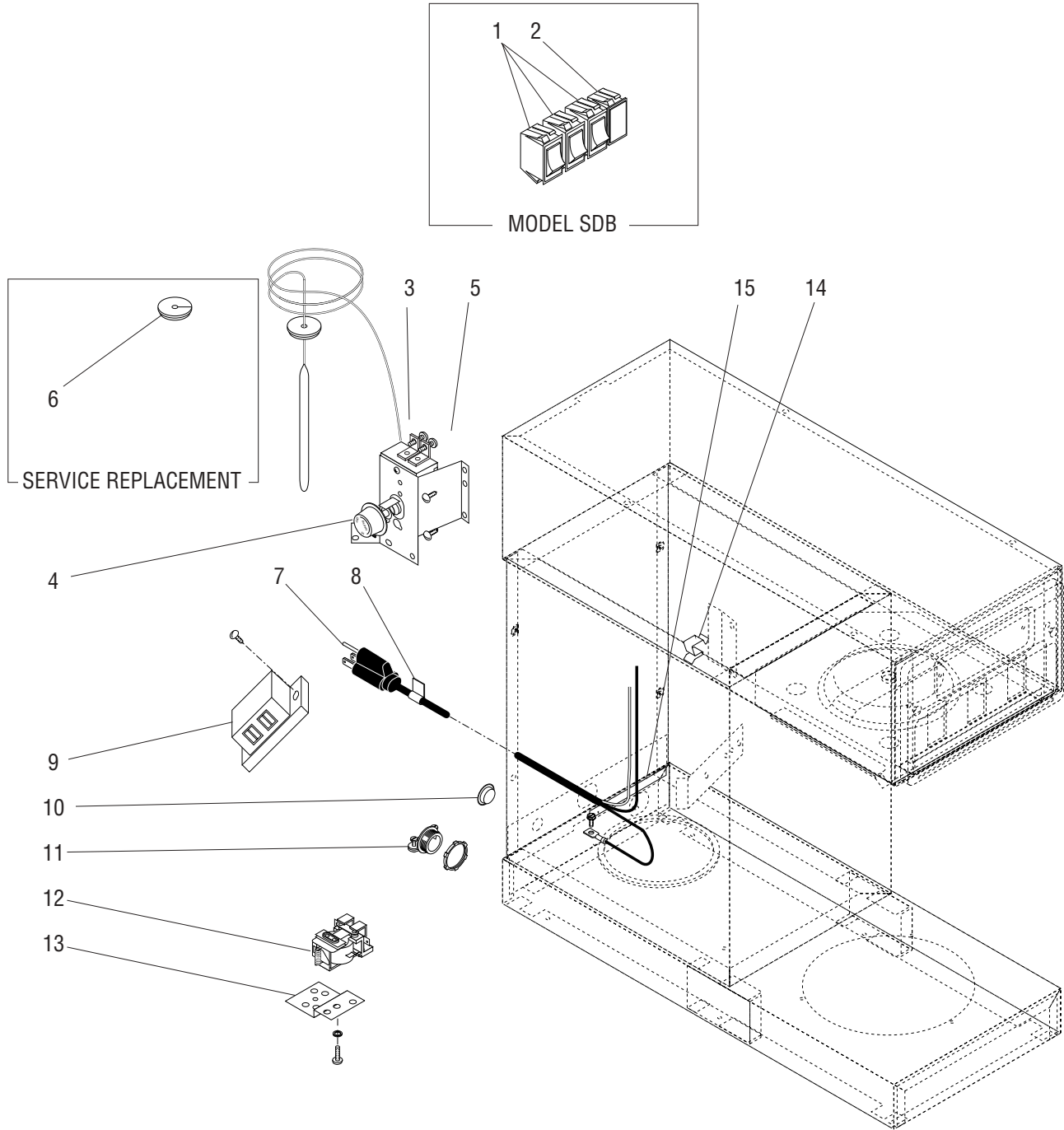
(continued)

(continued)



ELECTRICAL AND OPERATING CONTROLS

ITEM	PART NO.	QTY.	DESCRIPTION
NOTE: The following items are not illustrated			
21	04776.0001	1	Thermal Cut-off, Tank Heater to Main Harness (Model SA)
22	02812.0000	1	Harness, Upper Housing (Model S)
	02812.0002	1	Harness, Upper Housing (Model SA)
23	28382.0000	1	Clip, Upper Housing Harness
24	21016.0027	1	Lead GRN/YEL 26" (Model SA)
	00970.0000	1	Nut, KEPS #8-32 (Model SA)
25	07038.0000	1	Terminal Block (120/240V Models)
26	02957.0001	1	Lamp, Indicator - Green (240V) (Models w/ready light)

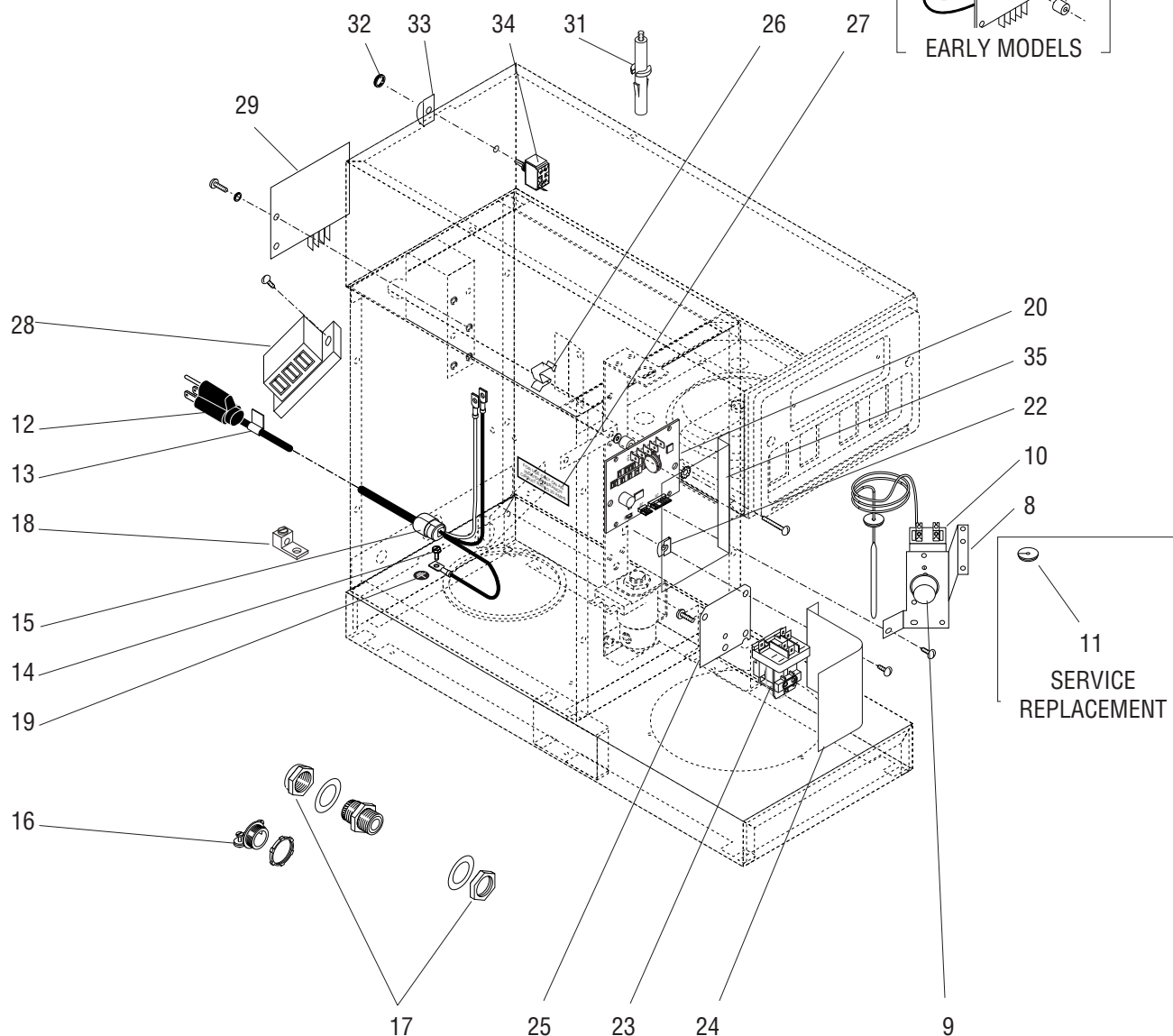
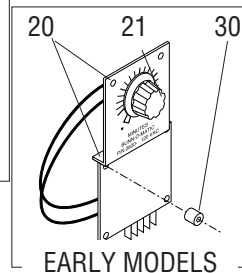
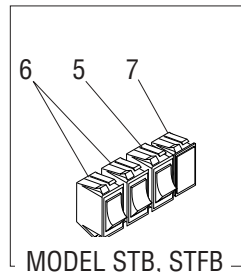
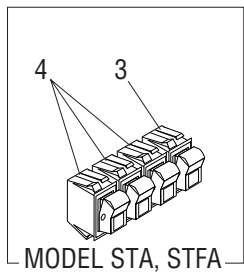
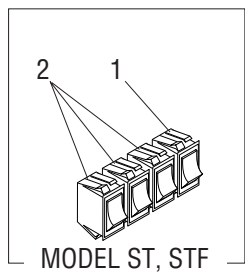


ELECTRICAL AND OPERATING CONTROLS

ITEM	PART NO.	QTY.	DESCRIPTION
1	02789.0000	3	Switch
2	02957.0000	1	Indicator Lamp
3	28319.0000	1	Thermostat Kit (Includes items 5 thru 7)(Replaces Thermostats with leads)
	04314.0001	1	Thermostat Kit (Includes items 5 thru 7)(Replaces Thermostats without leads)
	01311.0000	2	Screw, Truss Head #8-32 x .25"
4	00720.0000	1	Knob
5	20762.0000	2	Screw #8-32 x .25"
6	07073.0000	1	Grommet
7	01638.0000	1	Power Cord
8	06064.0000	1	Decal, Cord Warning
9	01106.0000	1	Terminal Block, 2-Pole
	01317.0000	2	Screw, Truss Head #8-32 x .50"
	00970.0000	2	Nut, KEPS #8-32
10	00669.0003	1	Plug
11	01685.0000	1	Connector, Cord
12	05850.0000	1	Relay
	01382.0000	1	Screw #6-32 x .375"
	01510.0000	1	Lockwasher #6
13	07441.0000	1	Bracket
	02337.0001	1	Screw #10 x .375"
14	00927.0000	1	Clip, Cable
15	02962.0000	1	Decal, USE WITH 100 VOLT AC ONLY

NOTE: The following items are not illustrated

16	25347.0000	1	Wiring Harness, Thermostat
17	02960.0000	1	Wiring Harness, Main
18	02959.0000	1	Wiring Harness, Upper Housing
19	28382.0000	1	Clip, Upper Housing Harness

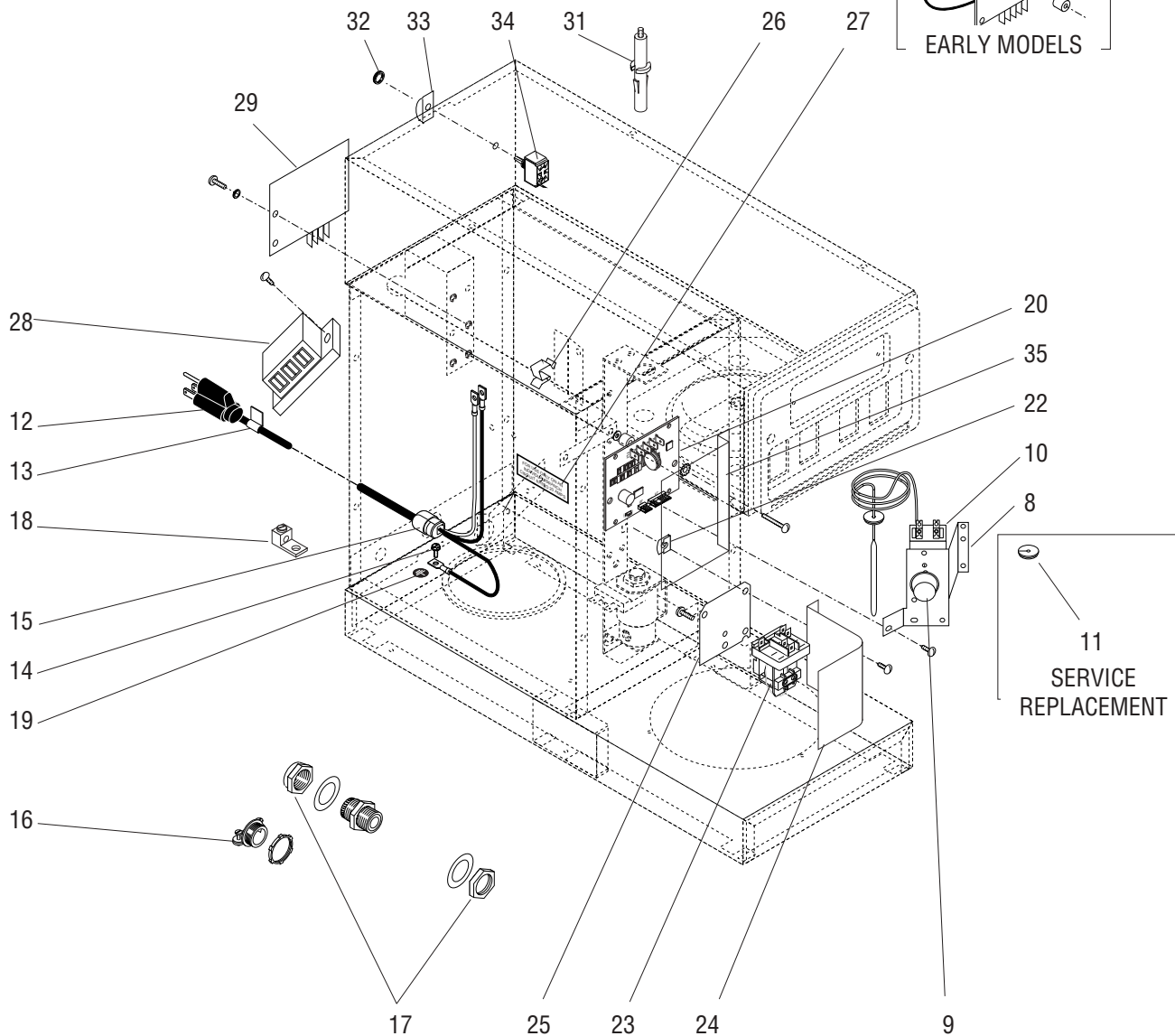
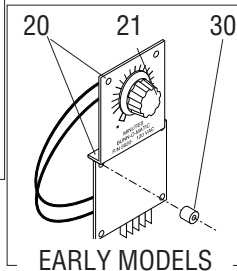
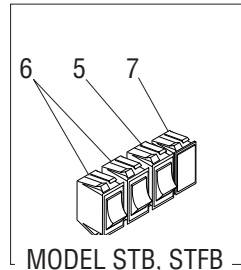
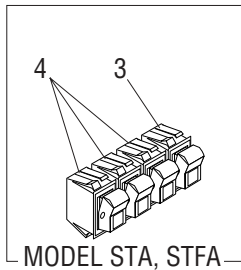
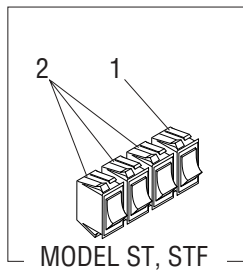


ELECTRICAL AND OPERATING CONTROLS

ITEM	PART NO.	QTY.	DESCRIPTION
1	02628.0000	1	Switch, Momentary Start (Models ST, STF)
2	02753.0000	3	Switch ON/OFF (Models ST, STF)
3	28420.0000	1	Switch, Momentary Start (Models STA, STFA)
4	28421.0000	3	Switch ON/OFF (Models STA, STFA)
5	12234.0002	1	Switch, Momentary Start (Models STB, STFDB)
6	02754.0000	2	Switch ON/OFF (Models STB, STFDB)
7	02957.0001	1	Indicator Lamp, GRN (Models STB, STFDB)
	02957.0002	1	Indicator Lamp, RED (Model SA W/Optional Indicator Lamp)
8	28319.0000	1	Thermostat Kit (Includes items 5 thru 7)(Replaces Thermostats with leads)
	04314.0001	1	Thermostat Kit (Includes items 5 thru 7)(Replaces Thermostats without leads)
	01311.0000	2	Screw, Truss Head #8-32 x .25"
9	00720.0000	1	Knob
10	20762.0000	2	Screw
11	07073.0000	1	Grommet
12	01713.1000	1	Power Cord (Model ST-15, STF-15)(Includes item 13)
13	06064.0000	1	Label, CORD WARNING
14	02337.0001	1	Screw, Grounding #10 x .375"
15	01686.0000	1	Bushing, Strain Relief (Model ST-15, STF-15)
16	01685.0000	1	Cord Connector (Model ST-20&35, STF-20&35, STB-35, STFDB-35)
17	05746.0000	1	Cord Connector (Model STA-35, STFA-35)
18	27705.0000	1	Lug, Terminal (Model STA-35, STFA-35)
	01327.0000	1	Screw #10-32 x .375"
19	00824.0000	1	Decal, Ground (Model STA-35, STFA-35)
20	-----	1	Timer Assy (120V)(Model STF)(Early Models. Order Late Model timer)
	-----	1	Timer Assy (240V)(Model STFA)(Early Models. Order Late Model timer)
	32400.0002	1	Timer Kit, Digital (120V)(Model STF)(Late Models)
	32400.0003	1	Timer Kit, Digital (240V)(Model STFA)(Late Models)
	01388.0000	2	Screw 6-32 X .375"
	01510.0000	2	Lockwasher
	01533.0002	2	Spacer, .375" lg.
	01518.0000	2	Washer, Nylon
	12919.0008	1	Cap, terminal (Not illustrated)
21	02239.0000	1	Knob (Model STF, STFA)(Early models only)
22	00912.0000	2	Fastener, "J" Type #8-32
23	02618.0000	1	Relay (120V)(Model STF)
	28034.0000	1	Relay (240V)(Model STFA)
	02328.0000	2	Screw #6-32 x .375"

(Continued)

(Continued)



ELECTRICAL AND OPERATING CONTROLS

ITEM	PART NO.	QTY.	DESCRIPTION
24	00638.0000	1	Shield (Model STF, STFA)
25	05000.0000	1	Bracket (120V)(Model STF)
	28458.0000	1	Bracket (230V)(Model STFA)
	01311.0000	2	Screw #8-32 x .25"
26	00927.0000	1	Clip, Cable
27	00985.0000	1	Decal, INDIVIDUAL CIRCUIT INFO (Not applicable to Model ST-15, STF-15)
28	01106.0000	1	Terminal Block (2 pole, 120V)
	01106.0001	1	Terminal Block (2 pole, 200V)
	07038.0000	1	Terminal Block (3 pole, 240V)
	01317.0000	2	Screw #8-32 x .50"
	00970.0000	2	Nut, KEPS #8-32
29	07074.1000	1	Control Board, Liquid Level (120V)
	07074.1009	1	Control Board, Liquid Level (240V)
	01380.0000	2	Screw #6-32 x .50"
	01510.0000	2	Lockwasher #6
30	01533.0000	2	Spacer (Early models only)
	01388.0000	2	Screw #6-32 x .75"
	01510.0000	2	Lockwasher #6
31	-----	1	Probe, Liquid Level (See TANK AND FILL BASIN)
32	23697.0000	1	Facenut (STFDB)
33	25102.0000	1	Bracket (STFDB)
34	23522.0000	1	Toggle Switch (STFDB)
35	07105.0001	1	Shield

NOTE: The following items are not illustrated.

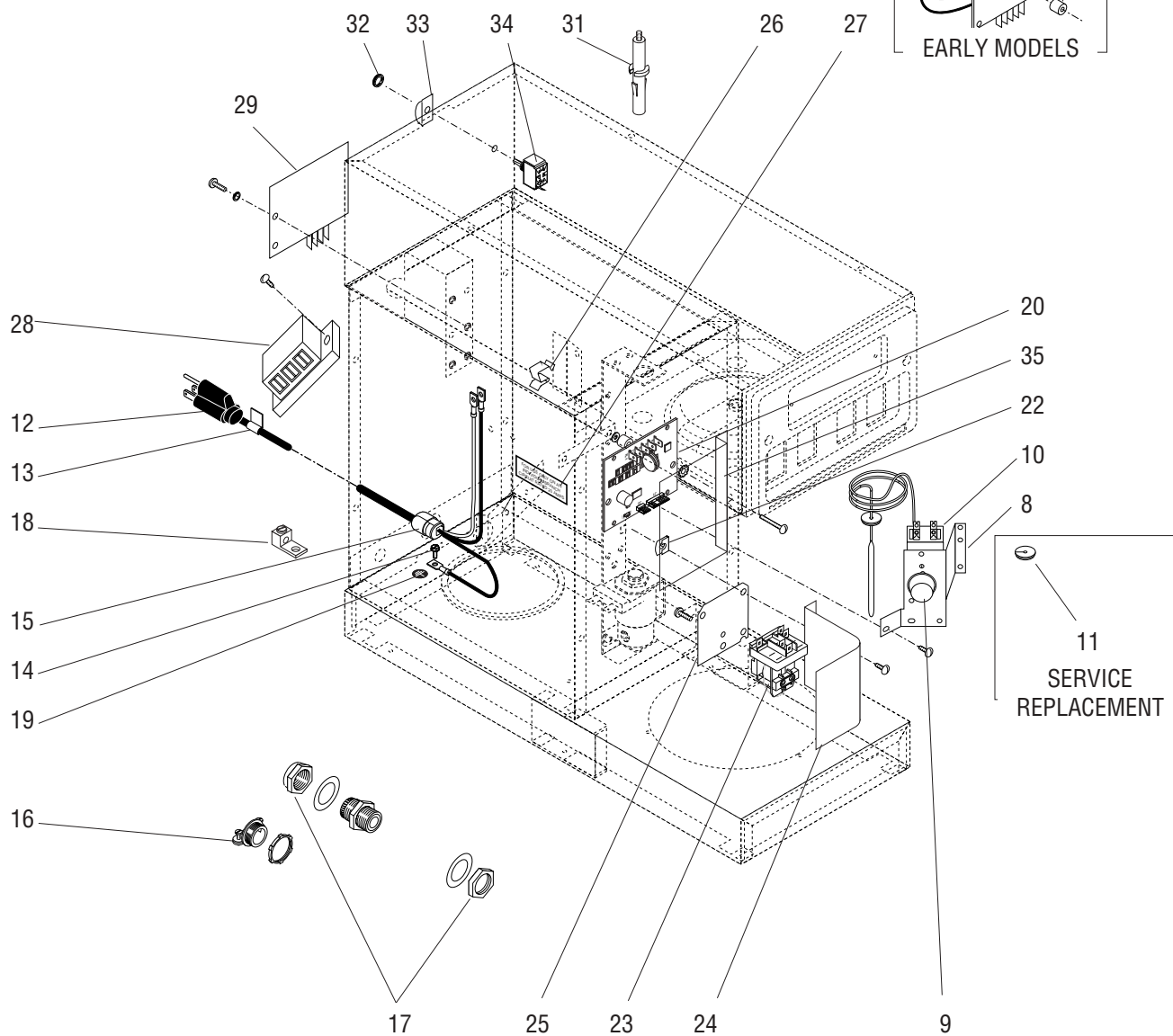
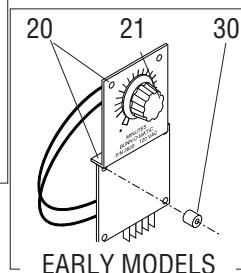
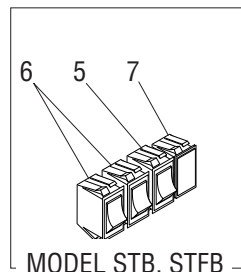
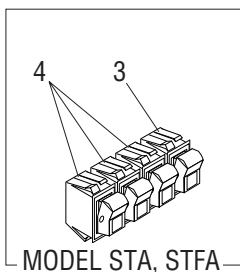
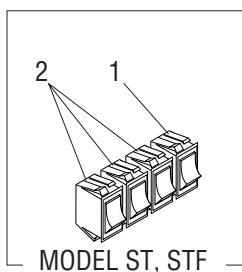
36 Early Models - Rear Timer

02694.0000	1	Wiring Harness, Main (Model ST-15, 20)
02695.0000	1	Wiring Harness, Main (Model STF-15,20)
02697.0000	1	Wiring Harness, Main (Model ST-35)
02698.0000	1	Wiring Harness, Main (Model STF-35)
02798.0000	1	Wiring Harness, Main (Model STF-15 no top warmer)
02798.0001	1	Wiring Harness, Main (Model STF-15 no top warm no recept)
02693.0000	1	Wiring Harness, Main (Model STA-35)
02699.0001	1	Wiring Harness, Main (Model STFA-35, 230V)
02825.0000	1	Wiring Harness, Main (Model STFA-35 no top warmer)
21240.0000	1	Wiring Harness, Main (Model STB)
21241.0000	1	Wiring Harness, Main (Model STFB)
21241.0001	1	Wiring Harness, Main (Model STFDB)
02759.0003	1	Wiring Harness, Main (Model SA with Optional Indicator Lamp)

See Page 31 for Late Models - Front Timer

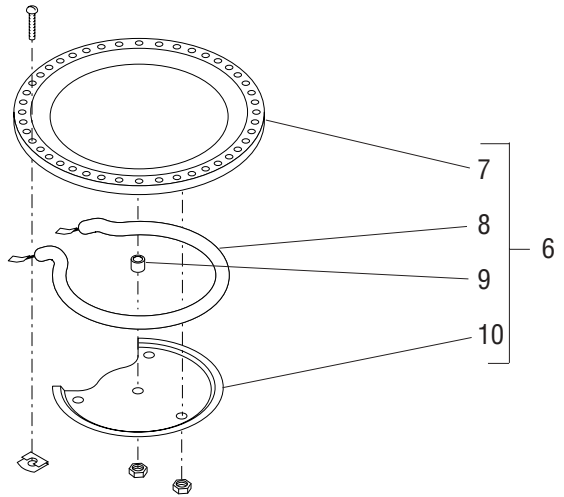
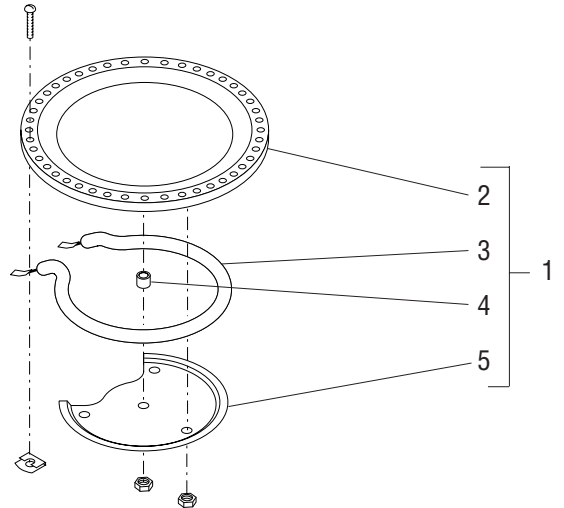
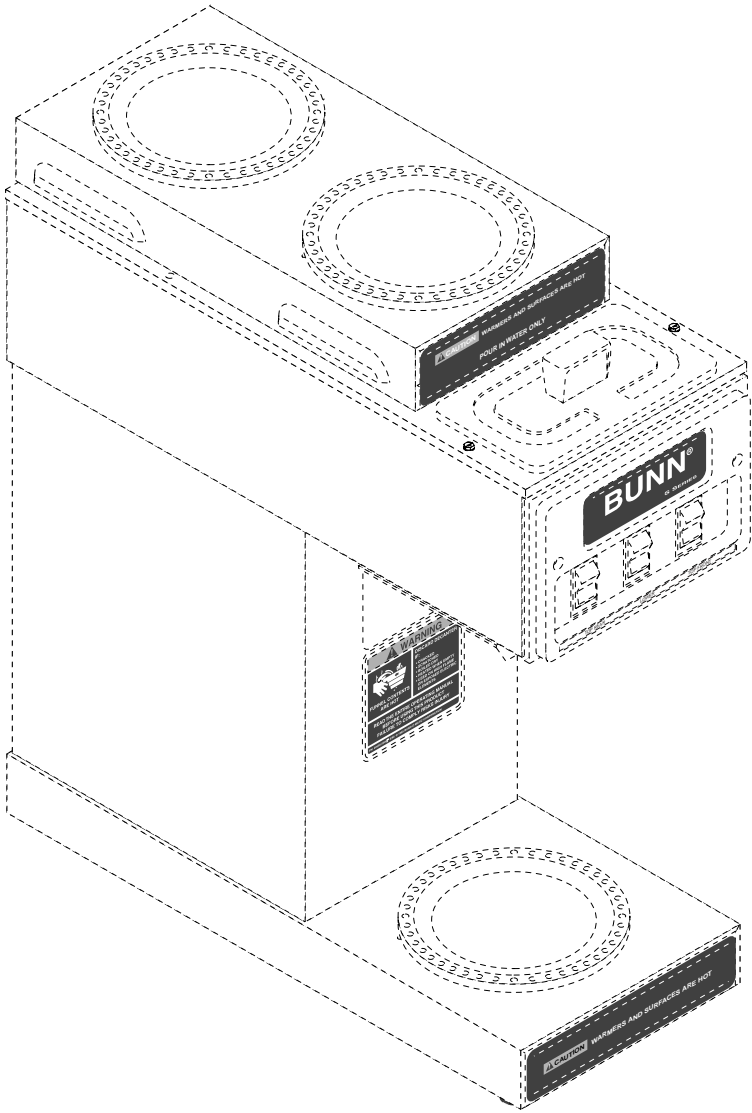
(Continued)

(Continued)



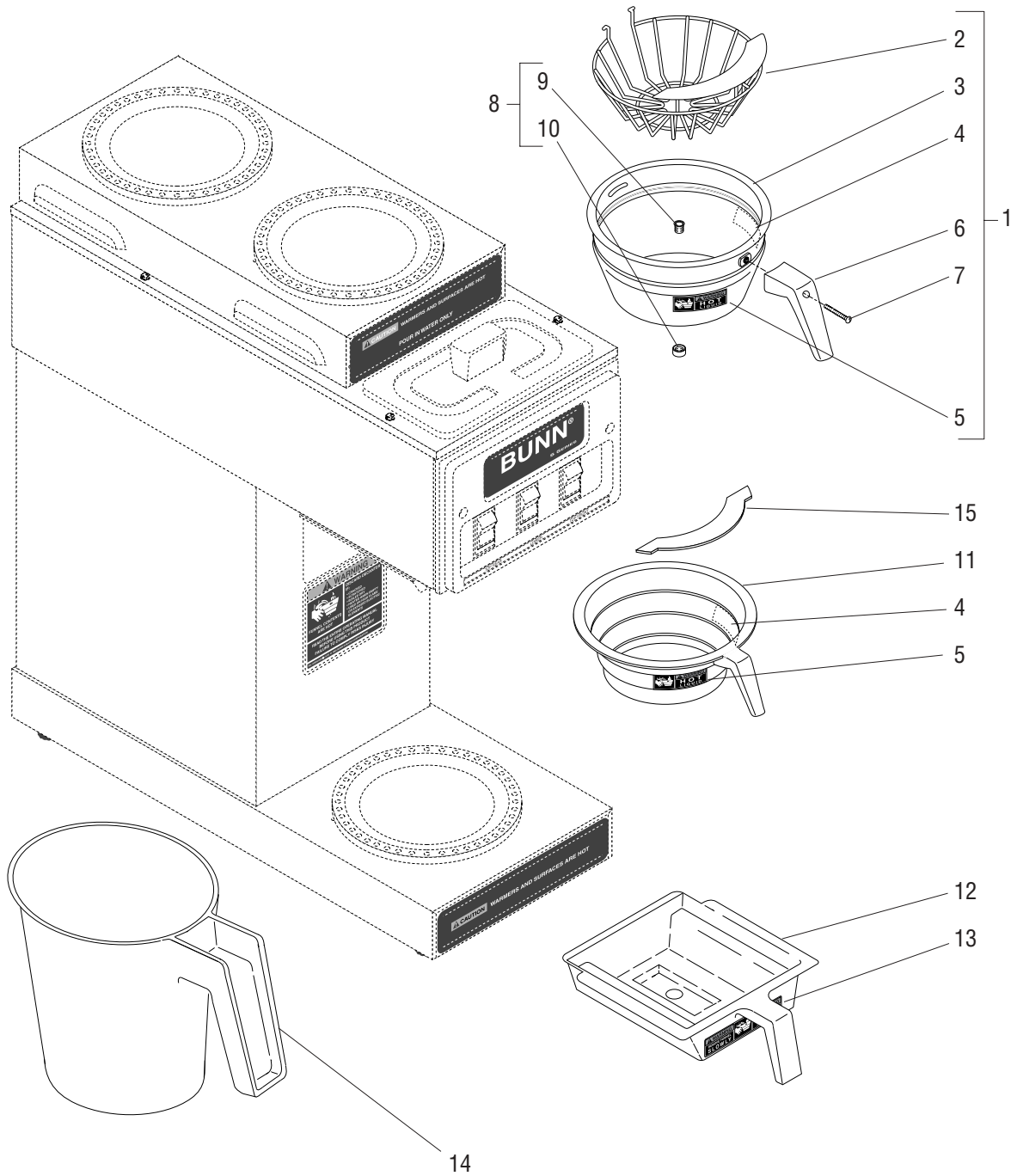
ELECTRICAL AND OPERATING CONTROLS

ITEM	PART NO.	QTY.	DESCRIPTION
36	Late Models - Front Timer		
	02694.0001	1	Wiring Harness, Main (Model ST-15,20)
	02695.0002	1	Wiring Harness, Main (Model STF-15,20)
	02697.0001	1	Wiring Harness, Main (Model ST-35)
	02698.0001	1	Wiring Harness, Main (Model STF-35)
	02798.0002	1	Wiring Harness, Main (Model STF-15 no top warmer)
	02798.0003	1	Wiring Harness, Main (Model STF-15 no top warm no receipt)
	02693.0001	1	Wiring Harness, Main (Model STA-35)
	02699.0002	1	Wiring Harness, Main (Model STFA-35, 230V)
	02825.0001	1	Wiring Harness, Main (Model STFA-35 no top warmer)
	21240.0001	1	Wiring Harness, Main (Model STB)
	21241.0002	1	Wiring Harness, Main (Model STFB)
	21241.0003	1	Wiring Harness, Main (Model STFDB)
37	02812.0000	1	Harness, Upper Housing (120V)
	02812.0002	1	Harness, Upper Housing (240V)
38	28382.0000	1	Clip, Upper Housing Harness
39	21016.0027	1	Lead, Upper Housing Ground, GRN/YEL 26.0" (240V)
	00970.0000	1	Nut, KEPS #8-32
40	21016.9004	1	Lead, BLU/BLK 16.0", Thermostat to Limit Thermostat
41	21016.9005	1	Lead, BLK 18.0", Thermostat to Tank Heater (120V)
	28173.0002	1	Thermal Cut-off 18.0", Thermostat to Tank Heater (240V)
	28173.0000	1	Thermal Cut-off 14.0", Thermostat to Tank Heater (240V)
42	04776.0001	1	Thermal Cut-off, Tank Heater to Main Harness (240V)
43	21016.0131	1	Lead, Ground, GRN/YEL 7.0" (240V)
44	21016.0028	1	Lead, BLK 27.0", Thermostat to Indicator Light (Models STB, STFDB)
45	21016.0029	1	Lead, BLU/BLK 23.0", Thermostat to Indicator Light (Models STB, STFDB)



WARMER ASSEMBLIES

ITEM	PART NO.	QTY.	DESCRIPTION
1	03652.0000	2	Warmer Assy, 100W 120V (Includes items 2 thru 5)
	02817.0000	2	Warmer Assy, 100W 220V (Includes items 2 thru 5)
	03668.0000	1	Warmer Assy, 130W 120V (Model SDB)(Includes items 2 thru 5)
	01303.0000	6	Screw #4-40 x .50"
	00916.0000	6	Fastener, "J" Type #4-40
2	03656.0000	2	Dish
3	01227.0000	2	Warmer Element, 100W 120V
	01951.0000	2	Warmer Element, 100W 220V
	01225.0000	1	Warmer Element, 130W 120V (Model SDB)
4	13042.0001	2	Spacer
5	05212.0000	2	Plate
	00970.0000	4	Nut, KEPS #8-32
6	03697.0000	1	Warmer Assy, 100W 120V (Includes items 7 thru 10)
	02817.0000	1	Warmer Assy, 100W 220V (Includes items 7 thru 10)
	03696.0000	1	Warmer Assy, 130W 120V (Includes items 7 thru 10)
	01303.0000	3	Screw #4-40 x .50"
	00916.0000	3	Fastener, "J" Type #4-40
7	03656.0000	1	Dish
8	01143.0000	1	Warmer Element, 100W 120V
	01951.0000	1	Warmer Element, 100W 220V
	01142.0000	1	Warmer Element, 130W 120V
9	13042.0001	1	Spacer
10	05212.0000	1	Plate
	00970.0000	2	Nut, KEPS #8-32



FUNNELS AND BASKETS

ITEM	PART NO.	QTY.	DESCRIPTION
1	20216.0000	1	Funnel Assy 7.125" W/Black Handle (Includes items 2 thru 10)
	20216.0001	1	Funnel Assy 7.125" W/Orange Handle (Includes items 2 thru 10)
	20217.0000	1	Funnel Assy 7.625" W/Black Handle (Includes items 2 thru 10)
	20217.0001	1	Funnel Assy 7.625" W/Orange Handle (Includes items 2 thru 10)
2	33088.0000	1	Basket 7.125"
	33090.0000	1	Basket 7.625"
3	28553.0000	1	Funnel Assy 7.125" (Includes items 4 and 5)
	28554.0000	1	Funnel Assy 7.625" (Includes items 4 and 5)
4	03408.0002	1	Decal, WARNING-REMOVE FUNNEL
5	03409.0002	1	Decal, WARNING-HOT WATER
6	20244.1000	1	Handle, Black (Includes item 7)
	20244.1001	1	Handle, Orange (Includes item 7)
7	01331.0002	1	Screw #10-32 x 1.5"
8	01031.0000	1	Tip Kit (Includes items 9 and 10)
9	01045.0000	1	Tip, Male
10	01046.0000	1	Tip, Female
11	20583.0003	1	Funnel Assy, Black Plastic (Includes items 4,5 and 15)
	20583.0006	1	Funnel Assy, Orange Plastic (Includes items 4,5 and 15)
12	04274.0012	1	Funnel Assy, Large Chamber Pouch Pack (Includes item 13)
	04274.0011	1	Funnel Assy, Small Chamber Pouch Pack (Includes item 13)
13	28694.0000	1	Decal, WARNING-REMOVE FUNNEL
14	04238.0000	1	Pitcher, 64 oz.
15	32964.0000	1	Splash Guard

NUMERICAL INDEX

PART NO.	PAGE NO.	PART NO.	PAGE NO.	PART NO.	PAGE NO.	PART NO.	PAGE NO.
00310.0000	17	01331.0002	33	02651.0000	13	02798.0001	29
00402.0001	15,17	01362.0000	21	02652.0000	13,17	02798.0002	31
00459.0000	17	01375.0000	21	02653.1000	15,17	02798.0003	31
00463.0000	17	01380.0000	5,7,9,29	02654.1000	17	02803.1000	13
00606.0000	5,7,11	01382.0000	25	02658.0000	15	02805.1000	15
00614.0000	17	01388.0000	15,27,29	02659.0000	15,19	02811.1007	9
00638.0000	27	01501.0000	13	02667.0000	15	02812.0000	23,31
00656.0000	11	01502.0000	17	02668.0001	15	02812.0002	23,31
00658.0000	5,7,9	01509.0000	21	02668.0002	15	02817.0000	33
00669.0003	25	01510.0000	25,27,29	02668.0003	15	02820.0000	9
00720.0000	21,25,27	01512.0000	21	02677.0000	21	02821.0000	5
00757.0000	5,7	01518.0000	27	02690.0000	5	02823.0000	21
00824.0000	21,27	01514.0000	15	02693.0000	29	02825.0000	29
00831.0000	5,7,9	01532.0000	17	02693.0001	31	02825.0001	31
00882.0000	9	01533.0000	29	02694.0000	29	02829.0000	13
00908.0000	13	01533.0002	27	02694.0001	31	02850.0000	19
00912.0000	9,27	01592.0000	15	02695.0000	29	02854.0000	19
00916.0000	33	01637.0000	21	02695.0002	31	02858.0000	19
00917.0000	5,7,9	01638.0000	25	02697.0000	29	02954.0000	13
00927.0000	21,25,29	01685.0000	25,27	02697.0001	31	02955.0000	15
00929.0001	15	01686.0000	21,27	02698.0000	29	02956.0000	15
00935.0000	17	01713.1000	27	02698.0001	31	02957.0000	25
00937.0000	21	01716.0000	21	02699.0001	29	02957.0001	23,27
00942.0000	15	01908.0000	21	02699.0002	31	02957.0002	27
00943.0000	15	01927.0000	15	02701.0000	21	02958.0000	7
00970.0000	5,7,9,23,25, 29,31,33	01951.0000	33	02713.0000	13	02959.0000	25
00976.0000	15	02239.0000	27	02715.0000	13	02960.0000	25
00985.0000	29	02301.0000	5,7,9	02717.0000	15	02961.1000	13
01031.0000	33	02328.0000	27	02719.0000	15	02962.0000	25
01045.0000	33	02329.0000	17	02721.0000	5,9	03011.0000	5,7,9
01046.0000	33	02335.0001	5,7,9	02722.0000	5,7,9	03408.0002	33
01075.0000	15	02337.0001	21,25,27	02732.0000	7	03409.0002	33
01079.0000	17	02536.0000	13	02734.0000	5,7,9	03633.0000	13
01082.0000	15	02594.0000	19	02745.0000	15	03652.0000	33
01085.0002	17	02595.0000	19	02746.0000	13	03656.0000	33
01106.0000	25,29	02596.1000	19	02747.0000	13	03668.0000	33
01106.0001	29	02601.0000	19	02750.0000	5,9	03696.0000	33
01111.0000	17	02604.1001	13	02751.0000	5,7,9	03697.0000	33
01111.0002	17	02604.1003	13	02753.0000	21,27	03803.0000	13
01142.0000	33	02604.1004	13	02754.0000	27	03807.0000	13
01143.0000	33	02604.1005	13	02755.1000	15	04238.0000	35
01154.0000	17	02604.1006	13	02756.1000	15	04260.0000	15
01155.0000	17	02604.1007	13	02759.0000	21	04274.0011	35
01225.0000	33	02604.1008	13	02759.0003	29	04274.0012	35
01227.0000	33	02604.1009	13	02762.0000	5	04314.0001	21,25,27
01303.0000	33	02604.1010	13	02763.0000	5,7	04623.0001	17
01311.0000	5,7,9,17	02604.1011	13	02765.0000	9	04776.0001	23,31
01311.0000	21,25,27,29	02611.0000	17	02766.0000	19	05000.0000	29
01317.0000	25,29	02618.0000	27	02766.0000	19	05000.0000	29
01319.0000	9	02625.0000	5,7,9	02769.0000	5,7,9	05037.1000	15
01326.0000	5,7	02626.0000	5,7,9	02770.0000	5,7	05212.0000	33
01327.0000	17,27	02627.0000	5,9	02775.0000	13	05746.0000	27
		02628.0000	27	02789.0000	25	05748.0001	21
				02798.0000	29	05850.0000	25

NUMERICAL INDEX

PART NO.	PAGE NO.	PART NO.	PAGE NO.	PART NO.	PAGE NO.	PART NO.	PAGE NO.
06060.1000	11	23522.0000	29				
06064.0000	21,25,27	23697.0000	29				
07038.0000	23,29	23721.0000	17				
07073.0000	21,25,27	25102.0000	29				
07074.1000	29	25137.0002	5,7,9				
07074.1009	29	25347.0000	21,25				
07075.0000	13	27574.0000	19				
07105.0001	29	27705.0000	27				
07441.0000	25	28005.0000	17				
10043.0000	5	28020.0000	17				
10272.0000	11	28021.0000	17				
10292.0000	11	28034.0000	27				
10292.0002	11	28111.0001	21				
12234.0002	27	28173.0000	31				
12756.0000	15	28173.0002	31				
12757.0000	15	28319.0000	21,25,27				
12919.0008	27	28382.0000	23,25,31				
13042.0001	33	28420.0000	27				
13054.0000	19	28421.0000	21,27				
20203.0100	13	28422.0000	17				
20211.0100	21	28458.0000	29				
20216.0000	35	28479.0000	17				
20216.0001	35	28480.0000	17				
20217.0000	35	28481.0000	17				
20217.0001	35	28553.0000	35				
20244.1000	35	28554.0000	35				
20244.1001	35	28660.1000	15				
20526.1222	17	28694.0000	35				
20583.0003	35	28706.0000	19				
20583.0006	35	28913.0001	21				
20762.0000	21,25,27	29255.0000	5				
20940.1000	15	29256.0000	5,9				
20942.1000	15	29256.0001	9				
21000.0061	21	29256.0002	9				
21002.0009	21	29268.0000	5				
21016.0023	21	29268.0001	9				
21016.0027	23,31	29269.0000	7				
21016.0028	31	29270.0000	5,7				
21016.0029	31	29270.0001	9				
21016.0131	31	29270.0002	9				
21016.9004	21,31	29329.1000	15				
21016.9005	21,31	32359.0000	15				
21180.0000	17	32400.0002	27				
21181.0000	17	32400.0003	27				
21239.0000	9	32540.0000	11				
21240.0000	29	32964.0000	35				
21240.0001	31	33088.0000	35				
21241.0000	29	33090.0000	35				
21241.0001	29	33450.0000	11				
21241.0002	31						
21241.0003	31						
22249.0000	17						
22300.0222	17						