



SINGLE[®] TF DBC[®] ***W/SMART FUNNEL[®]***



ILLUSTRATED PARTS CATALOG

Designs, materials, weights, specifications, and dimensions for equipment or replacement parts are subject to change without notice.

BUNN-O-MATIC CORPORATION

POST OFFICE BOX 3227

SPRINGFIELD, ILLINOIS 62708-3227

PHONE: (217) 529-6601 FAX: (217) 529-6644

BUNN-O-MATIC COMMERCIAL PRODUCT WARRANTY

Warranty statements and information can be found on our website. Please visit <https://commercial.bunn.com/support/warranty-lookup> for further details.

TABLE OF CONTENTS

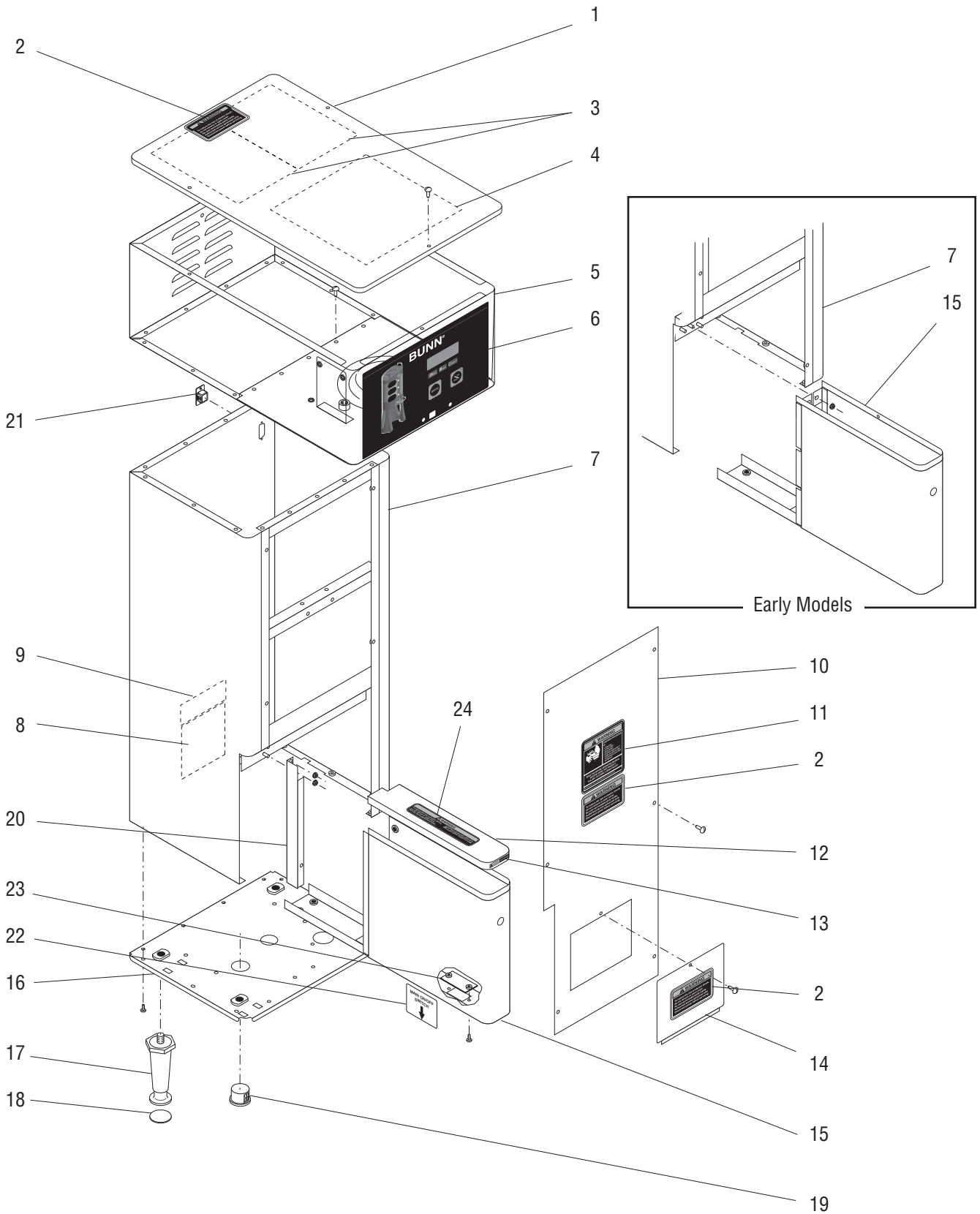
Base - Trunk - Hood - Covers & Panels	4
Electrical Controls	20
Faucet.....	18
Funnel.....	24
Inlet Valve and Line	14
Numerical Index	26
Sprayhead Valve, Water By-Pass Valve and Sprayhead.....	16
Strainer, Solenoid & Lines	12
Tank and Mounting Brackets	10
Tank Heater & Overflow Protection Devices	8

To search this document electronically, press “control” + “F” (on P.C.) or “command” + “F” on Mac, then type in description or part number, press “enter”.



BASE - TRUNK - HOOD - COVERS & PANELS

**SINGLE
TF DBC**



P2726.40

BASE - TRUNK - HOOD - COVERS & PANELS

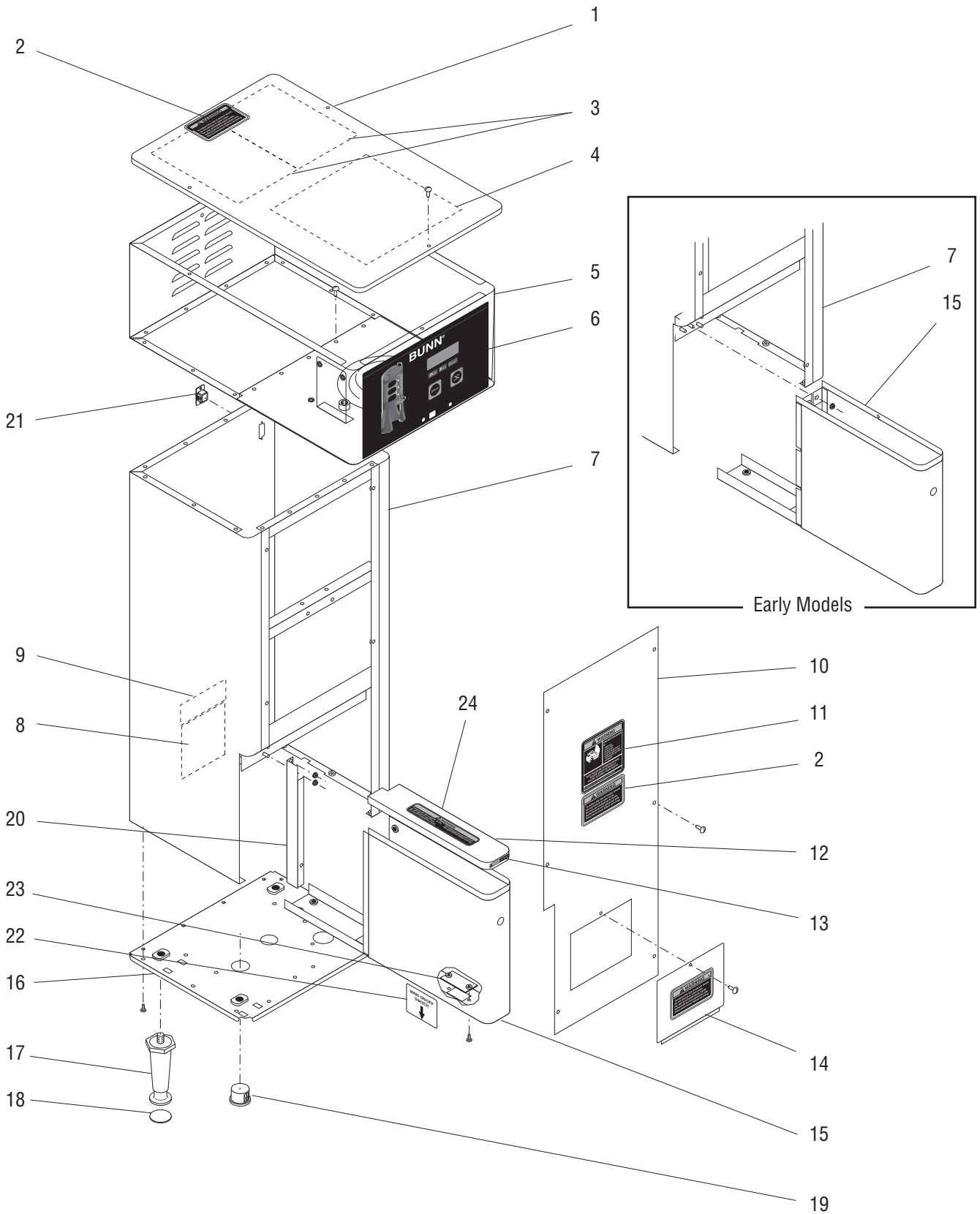
ITEM	PART NO.	QTY.	DESCRIPTION	
1	35214.1001	1	Cover Assy, Top BLK (Includes items 2, 3 & 4)	
	35214.1002	1	Cover Assy, Top BLK 120V models (Includes items 2, 3 & 4)	
	35214.1003	1	Cover Assy, Top BLK 200V & 230V models (Includes items 2 & 3)	
	01308.0003	3	Screw, Truss Head BLK #6 - 32 x .25" Locking	
2	37881.0000	3	Decal, "No Serviceable Parts"	
3	25151.0000	2	Shield, Insulator	
4	35726.0003	1	Schematic, 120/208V & 120/240V	
	36883.0007	1	Schematic, 120V	
	36883.0008	1	Schematic, 200V with Main Power Switch	
	36883.0009	1	Schematic, 230V	
5	35215.1004	1	Hood W/Decal SST (Includes item 6)	
	35215.1005	1	Hood W/Decal BLK (Includes item 6)	
	02308.0000	16	Screw, Pan Head #8 - 32 x .375"	
6	35242.0000	1	Switch, Membrane	
7	35222.1000	1	Trunk W/Decals SST (Includes items 8 & 9)	Early models
	35222.1001	1	Trunk W/Decals BLK (Includes items 8 & 9)	
	35222.1002	1	Trunk W/Decals SST 230V (Includes items 8 & 9)	
	35222.1003	1	Trunk W/Decals BLK 230V (Includes items 8 & 9)	
	35222.1004	1	Trunk W/Decals SST (Includes items 8 & 9)	Late models
	35222.1005	1	Trunk W/Decals BLK (Includes items 8 & 9)	
	35222.1006	1	Trunk W/Decals SST 230V (Includes items 8 & 9)	
	35222.1007	1	Trunk W/Decals BLK 230V (Includes items 8 & 9)	
8	00986.0000	1	Decal, Warning - Electrical	
9	00656.0001	1	Decal, Comply to Plumbing Code	
10	35236.1000	1	Panel W/Decals, Trunk SST (Includes items 2 & 11)	
	35236.1001	1	Panel W/Decals, Trunk BLK (Includes items 2 & 11)	
	01311.0001	6	Screw, Truss Head, Locking SST #8 - 32 x .25"	
	01311.0004	6	Screw, Truss Head, Locking BLK #8 - 32 x .25"	
11	00658.0000	1	Decal, Caution - Decanter/Funnel	
12	35235.1001	1	Cover W/Decal, Faucet BLK (Includes items 13 and 24)	
	01303.0002	1	Screw, Pan Head BLK #4 - 40 x .50"	
13	36302.0000	1	Decal, Caution Hot Water	
14	34948.1000	1	Plate, Access SST (Includes item 2)	
	34948.1001	1	Plate, Access BLK (Includes item 2)	
	01308.0002	1	Screw, Truss Head SST #6 - 32 x .25" Locking	
	01308.0003	1	Screw, Truss Head BLK #6 - 32 x .25" Locking	
15	35230.0006	1	Support, Center SST	Models With Main Power Switch
	35230.0007	1	Support, Center BLK	
	00970.0000	2	Nut, Keps #8-32 Zinc PL	
	02325.0000	4	Screw, Pan Head, Locking .25-20 x .31"	

(continued)



BASE - TRUNK - HOOD - COVERS & PANELS

**SINGLE
TF DBC**



P2726.40

BASE - TRUNK - HOOD - COVERS & PANELS

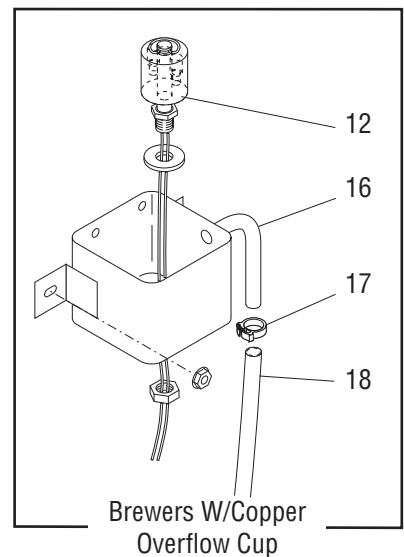
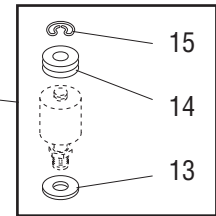
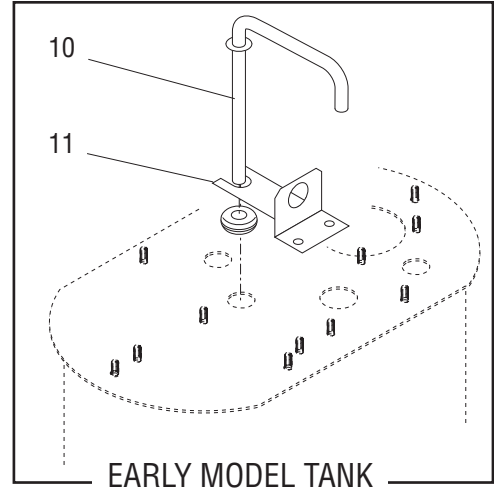
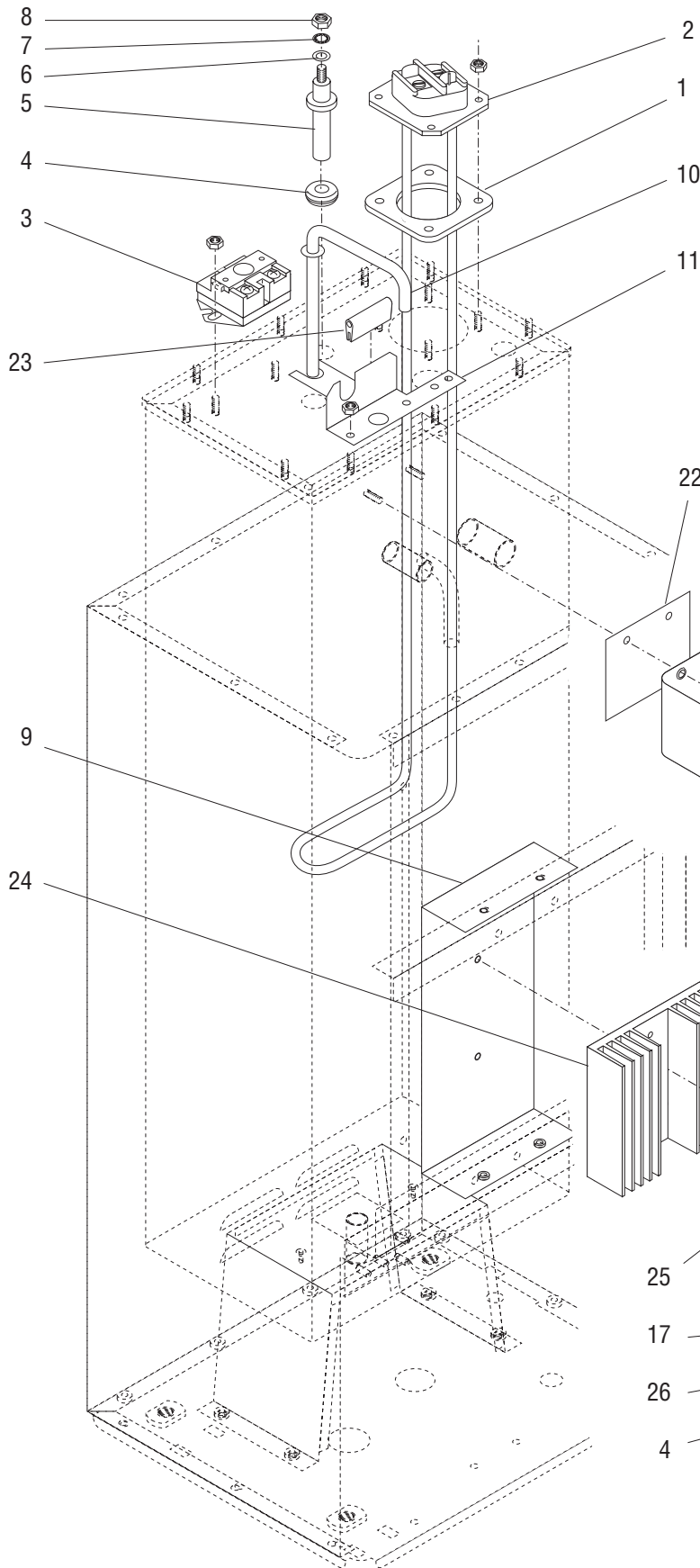
ITEM	PART NO.	QTY.	DESCRIPTION
16	35227.0000	1	Base Housing SST
	35227.0001	1	Base Housing BLK
	35227.0002	1	Base Housing SST 120V, 240V, 120/208V, 120/240V models
	35227.0003	1	Base Housing BLK 120V, 240V, 120/208V, 120/240V models
	35227.0004	1	Base Housing SST 230V models
	35227.0005	1	Base Housing BLK 230V models
	02308.0000	12	Screw, Pan Head #8 - 32 x .375"
17	26528.0000	5	Leg, 4.0" Plastic (See item 25)
	00502.0000	5	Leg, 4.0" Metal (See item 25)
18	03996.0000	5	Pad, Anti Skid
19	03011.0000	1	Plug, Vent
20	35238.0001	1	Panel, Support
	00970.0000	2	Nut, Keps #8-32 Zinc PL
21	36398.0000	1	Hole Plug DB-9 (Early models)
22	39803.0000	1	Decal, Main On/Off Switch
23	38820.0000	1	Plate, Switch Hole Cover
	01347.0000	2	Screw, Screw, Truss Head #6-32 x .38"
24	37881.0002	1	Decal, "No Serviceable Parts"
25	13255.0007	-	Leg Kit, Plastic (Includes 5 each of items 17 & 18) (Not illustrated)
	13255.0002	-	Leg Kit, Metal (Includes 5 each of items 17 & 18) (Not illustrated)

* Indicates the part number listed is for reference only. See DESCRIPTION for possible service replacement.



TANK HEATER & OVERFLOW PROTECTION DEVICES

**SINGLE
TF DBC**



P2727

TANK HEATER & OVERFLOW PROTECTION DEVICES

ITEM	PART NO.	QTY.	DESCRIPTION
1	12398.0002	1	Gasket, Tank Heater
2	12322.1000	1	Tank Heater, 4000W @ 240V (Includes item 1)
	12305.1000	1	Tank Heater, 4000W @ 208V (Includes item 1)
	36115.1000	1	Tank Heater, 2200W @ 120V (Includes item 1)
	00908.0000	4	Nut, Hex #8 - 32
3	23717.0003	1	Thermostat, Limit
	00908.0000	2	Nut, Hex #8 - 32
4	02536.0000	3	Grommet .375" I.D.
5	02645.1000	1	Probe Kit (Includes items 6, 7 & 8)
6	01501.0000	1	Washer .164" I.D. x .375" O.D.
7	20203.0100	1	Lockwasher, Internal Tooth #8
8	00908.0000	1	Nut, Hex #8 - 32
9	35565.0000	1	Bracket, Heat Sink
	02308.0000	4	Screw, Pan Head #8 - 32 x .38"
10	26622.0001	1	Tube Assy, Vent
11	35253.0000	1	Bracket, Vent Tube Mounting (Early model Tank)
	27473.0000	1	Bracket, Vent Tube Mounting (Late model Tank)
12	03803.0000	1	Switch Assy, Liquid Level, 120V, 120/208V & 120/240V (Includes items 13, 14 & 15)
	03803.0002	1	Switch Assy, Liquid Level, 200 & 230V (Includes items 13, 14 & 15)
	00946.0000	1	Nut, Hex .125" FPT
13	03633.0000	2	Gasket, Float Switch (Only 1 used in this application)
14	01527.0000	3	Washer, Adjusting (Not used in this application)
15	03807.0000	1	Clip, Spring
16	22728.0000	1	Overflow Cup Assy Copper (Second type) (Also replaces aluminum cup)
	41259.1003	1	Kit, Overflow Cup (Aluminum) (Includes items 4,19, 21 & 22)
	00971.0000	2	Nut, Keps #10-32
17	12422.0000	2	Clamp, Hose .47"/.54" I.D.
18		1	Tube, Silicone .312" I.D. x 30.0" (Order item 28)
19	04797.0000	1	Washer, Celcon .520" I.D. x 1.0" O.D.
20	00946.0000	1	Nut, Hex .125" FPT
21	41280.0001	1	Elbow,.375" Multi Barb
22	41266.0000	1	Film, Insulating
23	02434.0010	1	U-Channel 2.0" (Order item 29)
24	20541.0001	1	Heat Sink (Also order item 27)
	01382.0007	2	Screw, Truss Head 6-32 x .38"
25	12565.0011	1	Triac Assy, 40 amp
	02328.0003	1	Screw, Pan Head #6-32 x .312"
	01520.0000	1	Lockwasher #6
26	21801.0002	1	Tube .375" O.D.
27	M2522.1000	-	Heat Sink Compound
28	03236.1001	-	Tube, Silicone .312" I.D. x 36.0"
	03236.1003	-	Tube, Silicone .312" I.D. x 60.0"
	03236.1002	-	Tube, Silicone .312" I.D. x 120.0"
29	02434.1000	-	U-Channel 18.0" (Use as required)

Not illustrated

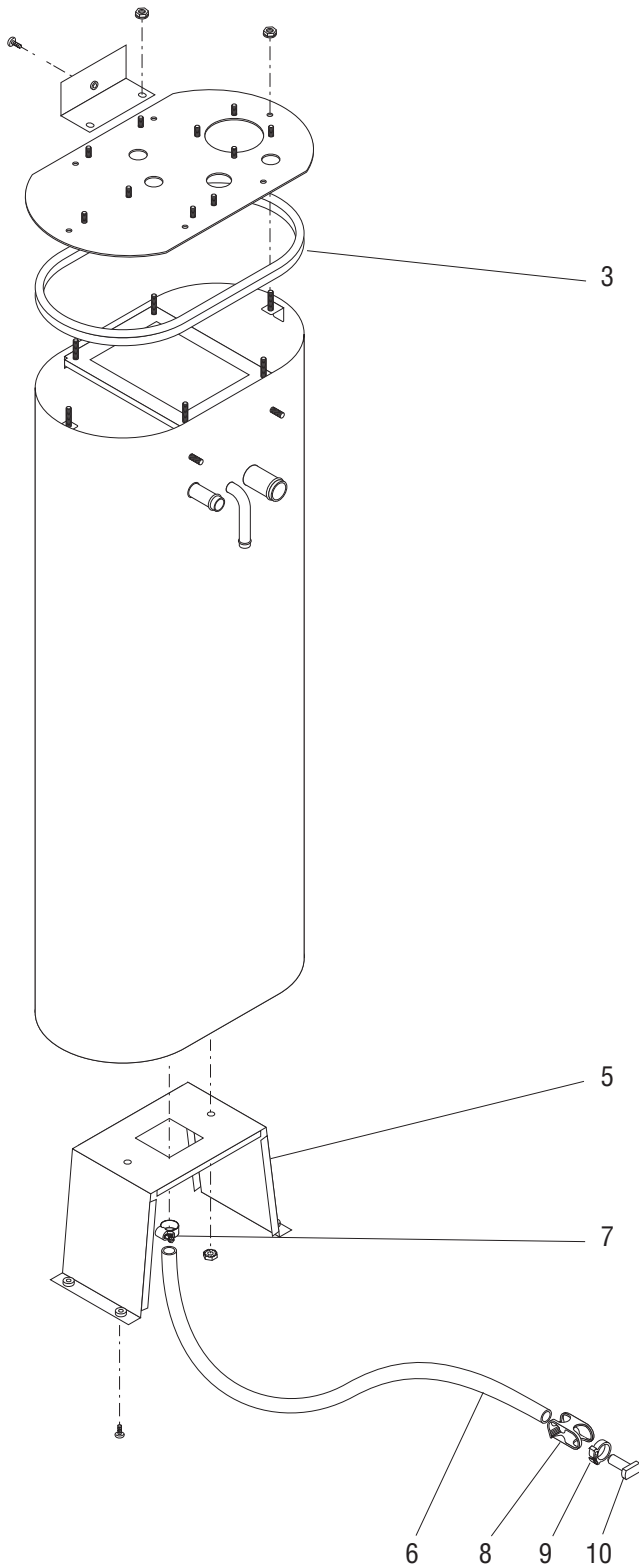
* Indicates the part number listed is for reference only. See DESCRIPTION for possible service replacement.



TANK AND MOUNTING BRACKETS

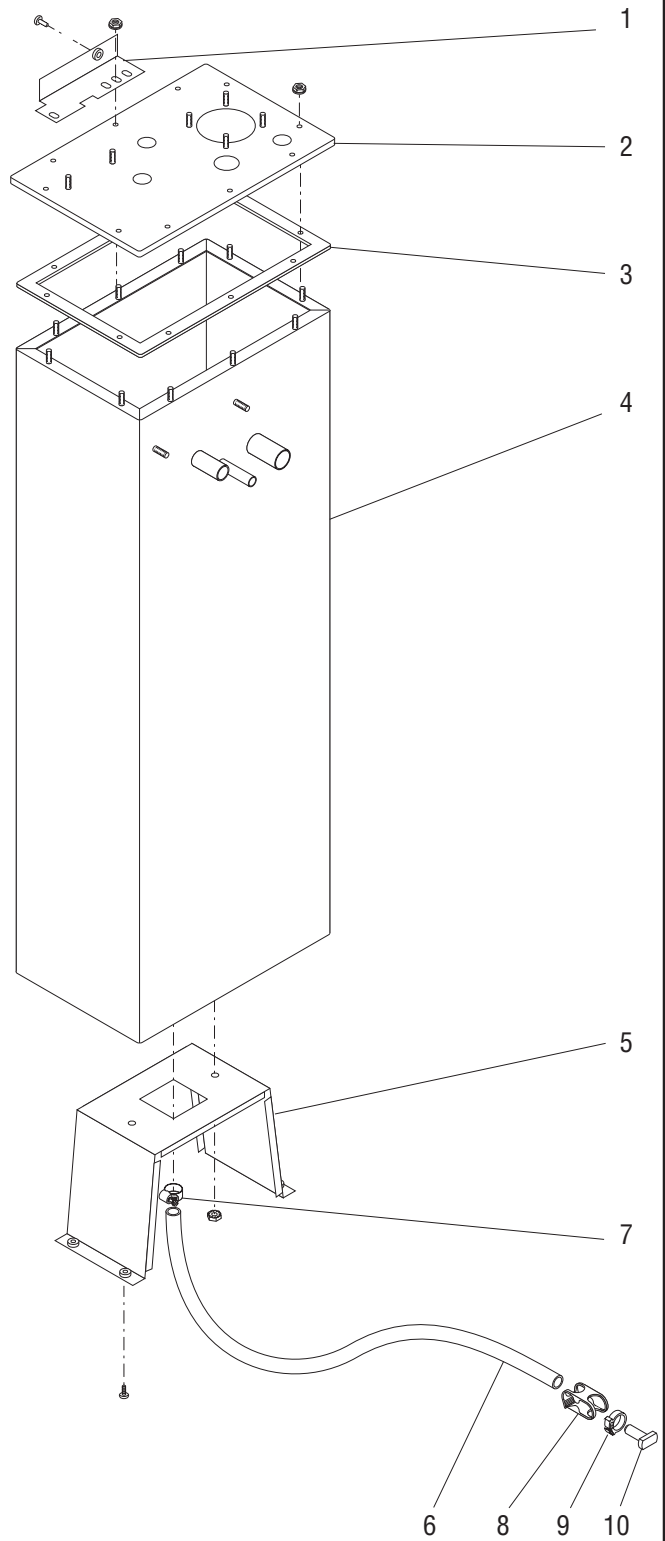
**SINGLE
TF DBC**

EARLY MODEL TANK



P2728.50

LATE MODEL TANK



P3572.50

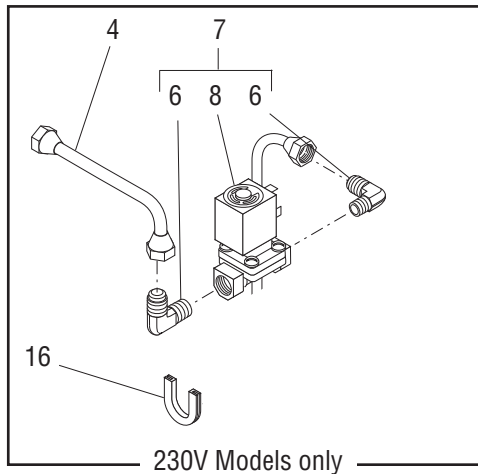
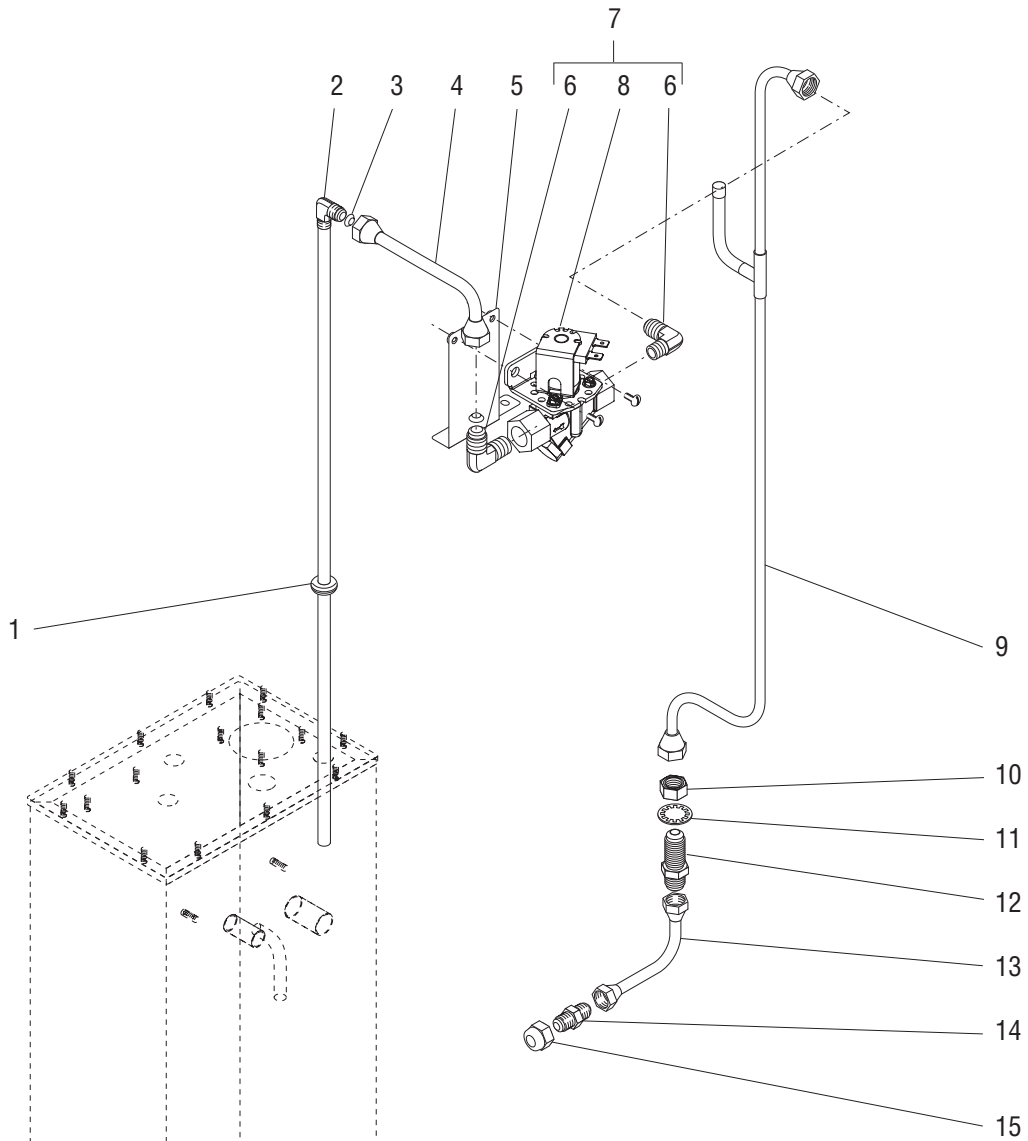
TANK AND MOUNTING BRACKETS

ITEM	PART NO.	QTY.	DESCRIPTION
1	28909.0000	1	Bracket, Tank Support (Late model Tank)
	02308.0000	1	Screw, Pan Head #8-32 x .38"
	01315.0005	1	Screw, Truss Head, BLK #8 - 32 x .375"
	00908.0000	2	Nut, Hex #8 - 32
2	38697.0000	1	Lid, Tank (Late model Tank)
	00908.0000	8	Nut, Hex #8 - 32
3	02434.1001	1	Gasket, U-channel 36.0" (Cut to required length 27.6") (Early model Tank)
	38695.0000	1	Gasket, Tank Lid (Late model Tank)
4	38693.1001	1	Tank (Late model)
5	35708.0000	1	Bracket, Tank Mounting (Bottom)
	02308.0000	4	Screw, Pan Head #8-32 x .38"
6		1	Tube, Silicone .50" I.D. x .75" O.D. x 31.0" (Order item 11)
7	29421.0000	1	Clamp, Hose-Worm Drive .625"/.75"
8	11630.0002	1	Clamp Shut Off, Tube
9	12422.0009	1	Clamp, Hose .71"/.80" I.D.
10	35086.0000	1	Plug, .50" I.D. Hose
11	32591.1002	1	Tube, Silicone .50" I.D. x 36.0" (Not illustrated)



STRAINER, SOLENOID & LINES

**SINGLE
TF DBC**



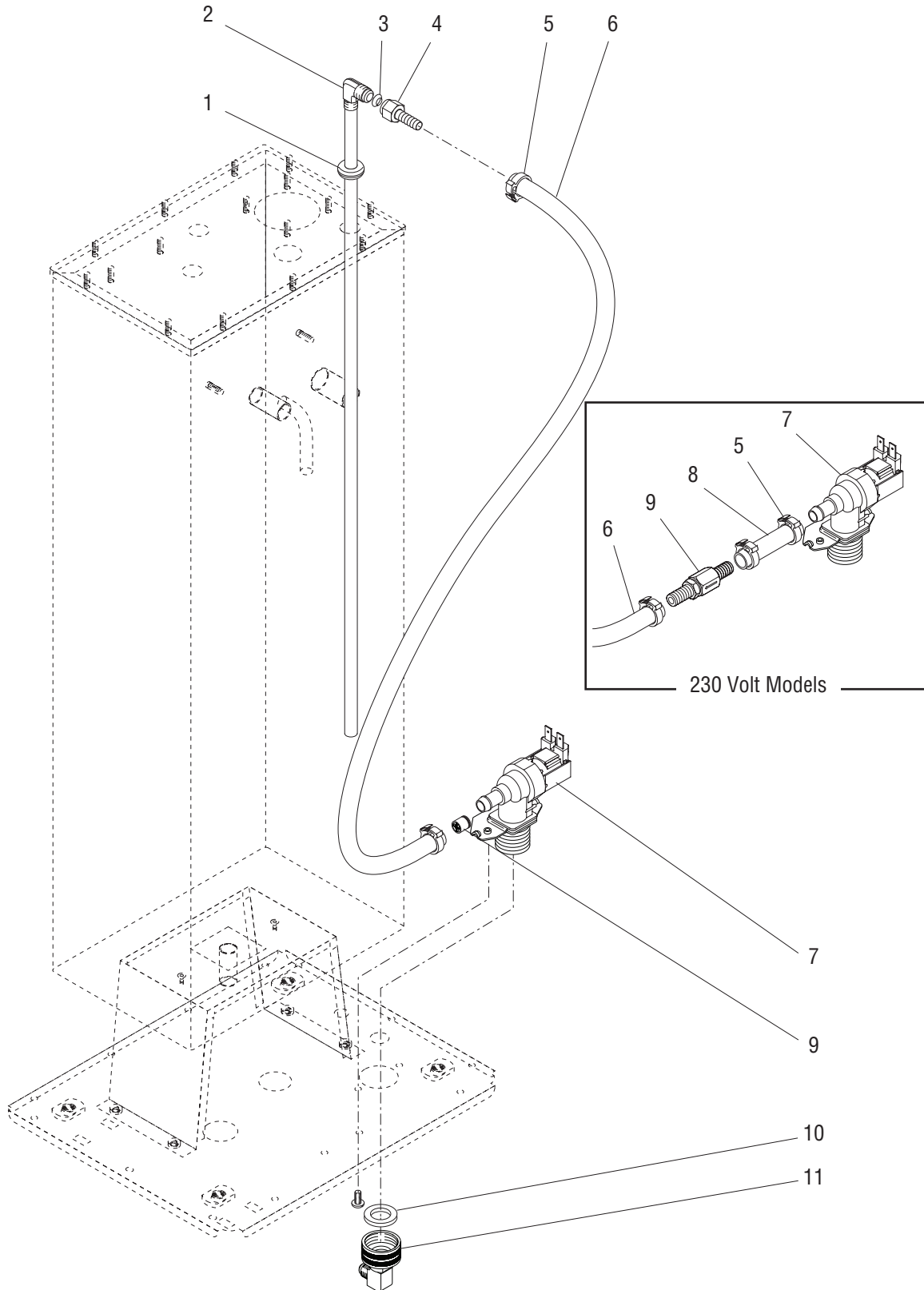
STRAINER, SOLENOID & LINES

ITEM	PART NO.	QTY.	DESCRIPTION
1	02536.0000	1	Grommet .375" I.D.
2	20937.0004	1	Tube, Tank Fill
3	32359.0000	2	Gasket, .375" Flare Copper
4	36089.0000	1	Tube Assembly, Solenoid to Tank
5	36130.0000	1	Bracket, Solenoid Mounting
	02308.0000	2	Screw, Pan Head #8 - 32 x .375"
6	34768.0001	2	Elbow, Male .375" Flare x .125" MPT
7	36088.0006	1	Solenoid Valve Assy, 240V (Includes items 6 & 8)
	36088.0003	1	Solenoid Valve Assy, 200V (Includes items 6 & 8)
	01317.0003	2	Screw, Truss Head #8 - 32 x .38" Locking
8	35094.0001	1	Solenoid Valve 120V
	37420.0001	1	Solenoid Valve 230V
	35094.0002	1	Solenoid Valve 200V
9	35256.0000	1	Tube Assy, Bulkhead to Strainer
10	12757.0000	1	Nut, Hex .625" - 20
11	01514.0000	1	Lockwasher, Internal Tooth .625" I.D.
12	12756.0000	1	Bulkhead Fitting .375" Flare
13	00310.0008	1	Tube Assembly, Bulkhead to Supply
14	36081.0000	1	Union .375" Male Flare
15	00976.0000	1	Cap (For shipping purposes only)
16	02434.1000	1	Gasket, U-channel 12.0" (Cut to required length)
17	M2517.0000	-	Sealant, Pipe 6 ml (Not illustrated)



INLET VALVE AND LINE

**SINGLE
TF DBC**



P3950

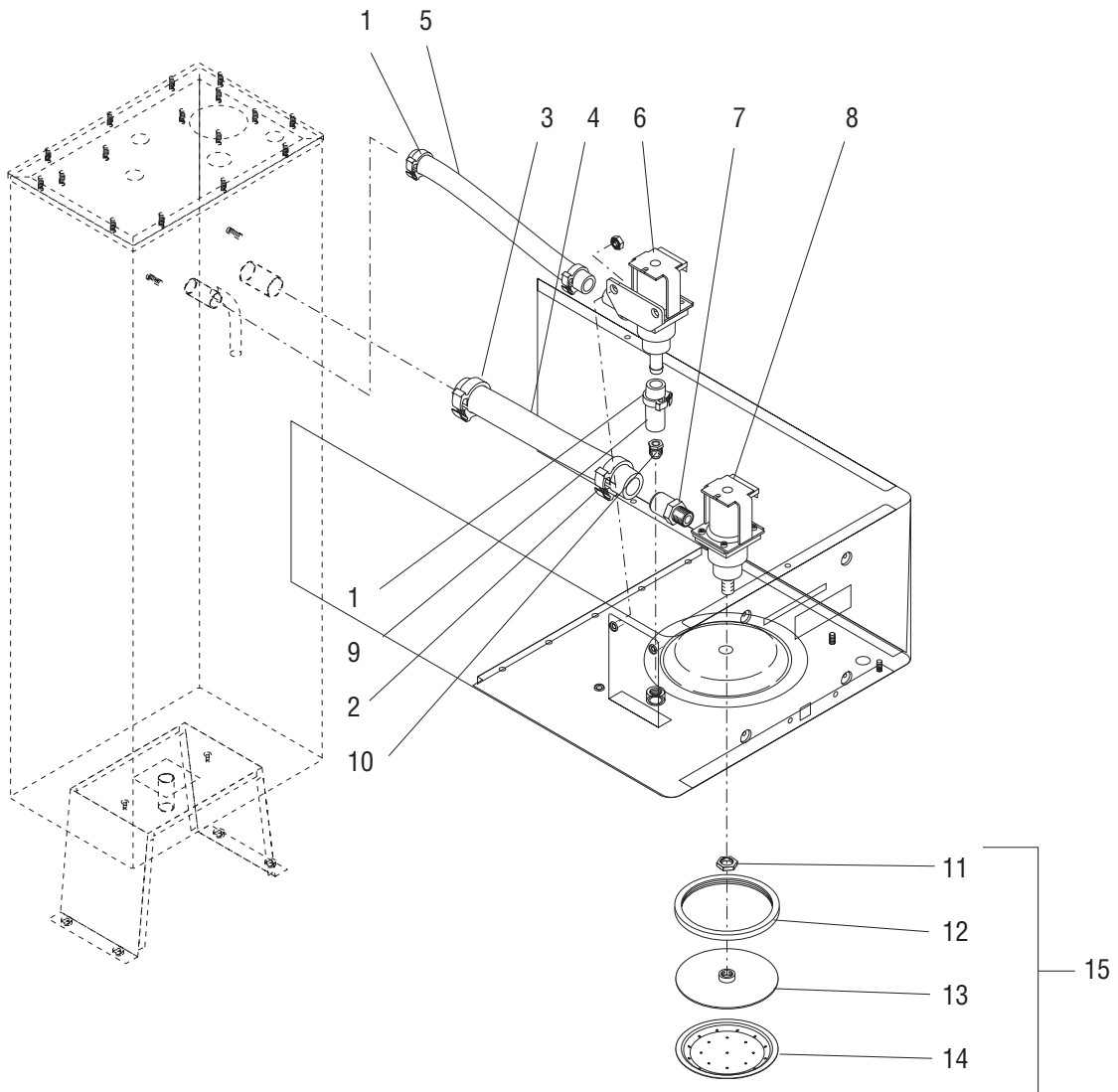
INLET VALVE AND LINE

ITEM	PART NO.	QTY.	DESCRIPTION
1	02536.0000	1	Grommet .375" I.D.
2	20937.0004	1	Tube, Tank Fill
3	32359.0000	1	Gasket, .375" Flare Copper
4	12418.0001	1	Fitting, Swivel .375" Barb
5	12422.0001	4	Clamp, Hose .59"/.66" I.D.
6		1	Tube, Silicone .375" I.D. x .625" O.D. x 36.0" (Order item 12)
		1	Tube, Silicone .375" I.D. x .625" O.D. x 25.5" (Order item 12) (230V Models)
7	36233.0005	1	Valve, Water Inlet 120V
	36233.0006	1	Valve, Water Inlet 230V
	32283.0000	2	Screw, Pan Head M4 x 6MM
8		1	Tube .375" ID x .625" OD x 7.0" (Order item 12) (230V Models)
9	36378.0001	1	Check Valve (Installed in item 6) (120V, 240V, 120/208V, 120/240V Models)
	40071.0001	1	Check Valve, .38" Barb (230V Models)
10	41640.0000	1	Gasket, .75" Hose Fitting
11	37297.1001	1	Elbow, .375" FLR x .75" FTNR
	37297.0004	1	Elbow, .375" Compression x .75" FTNR
12	20976.1000	-	Tube .375" ID x .625" OD x 12.0" (Use as required)
	20976.1001	-	Tube .375" ID x .625" OD x 36.0" (Use as required)
	20976.1002	-	Tube .375" ID x .625" OD x 120.0" (Use as required)



SPRAYHEAD VALVE, WATER BY-PASS VALVE & SPRAYHEAD

**SINGLE
TF DBC**



P2729

SPRAYHEAD VALVE, WATER BY-PASS VALVE & SPRAYHEAD

ITEM	PART NO.	QTY.	DESCRIPTION
1	12422.0005	3	Clamp, Hose .62"/.71" I.D.
2	12422.0008	1	Clamp, Hose .93"/1.10" I.D.
3	12422.0008	1	Clamp, Hose .93"/1.10" I.D.
4		1	Tube, Silicone .75" I.D. x 1.0" O.D. x 6.25" (Order item 17)
5		1	Tube, Silicone .50" I.D. x .75" O.D. x 6.50" (Order item 16)
6	27370.0008	1	Valve, Bypass 120V
	27370.0001	1	Valve, Bypass 200V
	27370.0005	1	Valve, Bypass 240V
	11517.0008	-	Repair Kit (Includes plunger, spring & diaphragm)
	23255.0000	-	Diaphragm Only
	22305.0001	1	Coil 120VAC
	22305.0002	1	Coil 240VAC
	22305.0003	1	Coil 200VAC
	23254.0000	4	Screw
	23256.0000	1	Spacer Plate
	00970.0000	2	Nut, KEPS #8-32
7	34956.0000	1	Fitting, .250" NPT x .75" I.D. Hose
8	26846.0000	1	Valve Assembly, Sprayhead 120V (Discontinued, use 56771.0000)
	26846.0001	1	Valve Assembly, Sprayhead 200V (Discontinued, use 56771.0001)
	26846.0002	1	Valve Assembly, Sprayhead 240V (Discontinued, use 56771.0002)
	11517.0008	-	Repair Kit (Includes plunger, spring & diaphragm)
	23255.0000	-	Diaphragm Only
	23254.0000	4	Screw
	23256.0000	1	Spacer Plate
	56771.0000	1	Valve Assembly, Sprayhead 120V
	56771.0001	1	Valve Assembly, Sprayhead 200V
	56771.0002	1	Valve Assembly, Sprayhead 240V
	56815.0000	-	Repair Kit (Includes plunger, spring & diaphragm)
	56816.0000	-	Diaphragm Only
	22305.0001	1	Coil 120VAC (used in both styles)
	22305.0002	1	Coil 240VAC (used in both styles)
9		1	Tube, Silicone .50" I.D. x .75" O.D. x 1.10" (Order item 16)
10	34801.0001	1	Fitting, Bypass Restrictor
11	01075.0000	1	Nut, Hex .438" - 20
12	34868.0000	1	Seal, Sprayhead
13	35070.0001	1	Sprayhead Back
14	34867.0004	1	Sprayhead
15	35308.1004	-	Sprayhead Assy
The following items are not illustrated			
16	32591.1001	1	Tube, Silicone .50" I.D. x .75" O.D. x 12.0"
	32591.1002	1	Tube, Silicone .50" I.D. x .75" O.D. x 36.0"
17	35052.1000	1	Tube, Silicone .75" I.D. x 1.0" O.D. x 12.0"

FAUCET

ITEM	PART NO.	QTY.	DESCRIPTION
1	29075.0002	1	Faucet Assy (Includes items 2 thru 8) (Late Models)
2	02861.0103	1	Handle, Faucet
3	02854.0000	1	Bonnet, Faucet
4	02595.0000	1	Spring, Faucet
5	02766.0000	1	Seat Cup, Faucet
6		1	Body, Faucet (Not available, order item 1)
7	13054.0000	1	Stem, Faucet
8	02858.0000	1	Pin, Spring .125" Dia. x .50"
9	02594.0000	1	Faucet Stem W/Pin (Includes items 7 & 8)
10	12422.0001	2	Clamp, Hose .59"/.66" I.D.
11	20976.0036*	1	Tube, Silicone .375" I.D. x .625" O.D. x 36.0" (Order item 17)
12		1	
13		1	
14	29264.0000	1	Nut, Faucet Retaining (Late Models)
15	01532.0005	1	Washer, Intl Tooth .50: Lock (Late Models)
16	28706.0002	-	Faucet Kit (Includes items 2,4 ,5 ,8 & 9)
17	20976.1001	-	Tube .375" ID x .625" OD x 36.0" (Use as required)
	20976.1002	-	Tube .375" ID x .625" OD x 120.0" (Use as required)

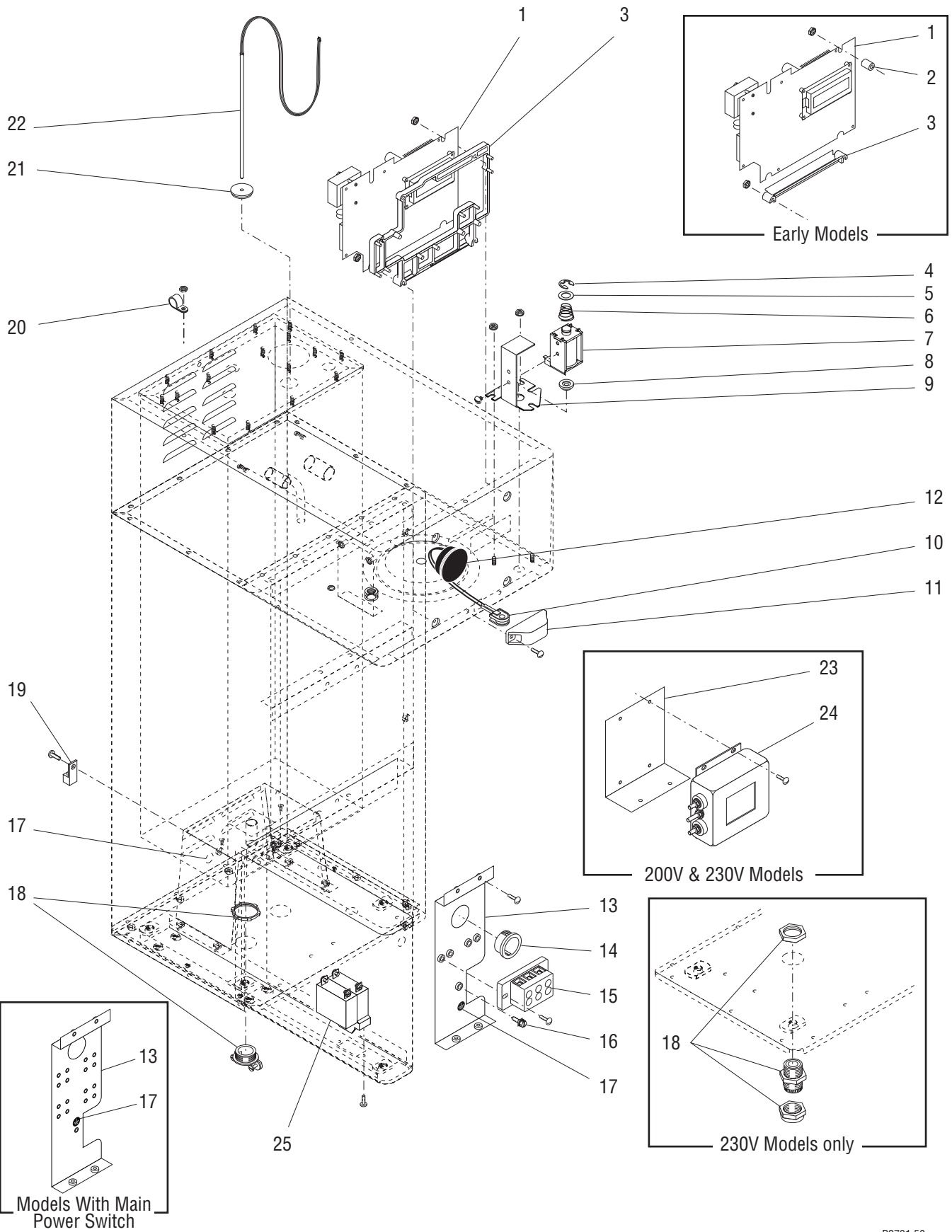
} Not Illustrated

* Indicates the part number listed is for reference only. See DESCRIPTION for possible service replacement.



ELECTRICAL CONTROLS

**SINGLE
TF DBC**



P2731.50

ELECTRICAL CONTROLS

ITEM	PART NO.	QTY.	DESCRIPTION
1	29969.1000	1	Circuit Board, Main control (120V, 120/208V & 120/240V models)
	29969.1003	1	Circuit Board, Main control (200V models)
	38358.1000	1	Circuit Board, Main control (230V models)
	00973.0000	2	Nut, Keps #6-32
2	01533.0006	2	Spacer (Early models)
3	29970.0000	1	Mount, Circuit Board (Early models)
	40726.0000	1	Mount, Circuit Board (Late models)
	00973.0000	2	Nut, Keps #6-32
4	39981.0000	2	Ring, Solenoid
5	-----	2	Washer, Nylon .44" ID x .68" OD
6	39982.0000	2	Spring, Solenoid
7	35955.0000	2	Coil, Solenoid, 120V
	35955.0001	2	Coil, Solenoid, 230V
	35955.0002	2	Coil, Solenoid, 200V
	33613.0000	4	Screw, Truss Head #8-32 x .25"
	01519.0000	4	Lockwasher, Split #8
8	35953.0000	2	Guide, Pin
9	38280.0000	2	Bracket, Solenoid
	00970.0000	4	Nut, Keps #8-32
10	-----	1	Sensing Coil WO/Leads (Early models) (Not available order item 38)
	32572.1001	1	Sensing Coil W/Violet Leads (Includes plug below) (Late models)
	20621.0000	1	Plug, hole .203" Dia. (Not illustrated)
11	32573.0000	1	Cover, Sensing Coil
	01382.0007	2	Screw, Truss Head #6-32 x .38"
12	32018.0000	1	Bumper (Early models)
13	34675.0002	1	Bracket, Terminal Block Mounting
	34675.0003	1	Bracket, Terminal Block Mounting (Models with Main On/Off Switch)
	02308.0000	2	Screw, Pan Head #8-32 x .38"
14	01592.0001	1	Bushing, Snap 1.188" Dia. hole
15	07038.0000	1	Terminal Block, 3 Pole, Red/White/Black
	01106.0000	1	Terminal Block, 2 Pole, White/Black
	01106.0003	1	Terminal Block, 2 Pole, Blue/Brown
	01106.0001	1	Terminal Block, 2 Pole, Red/Black
	01317.0000	2	Screw, Truss Head #8-32 x .50"
16	01309.0000	1	Ground Screw W/Terminal Washer #10-32 x .50"
17	00824.0002	1	Decal, Grounding
18	01590.0000	1	Connector, Cable
	32833.0000	1	Strain Relief (230V models only)
19	27705.0000	1	Terminal Lug (200V & 230V models)
20	04831.0000	1	Clamp, Cable .438" I.D.
21	12570.0000	1	Grommet, Temperature Sensor

Includes items
4 thru 6

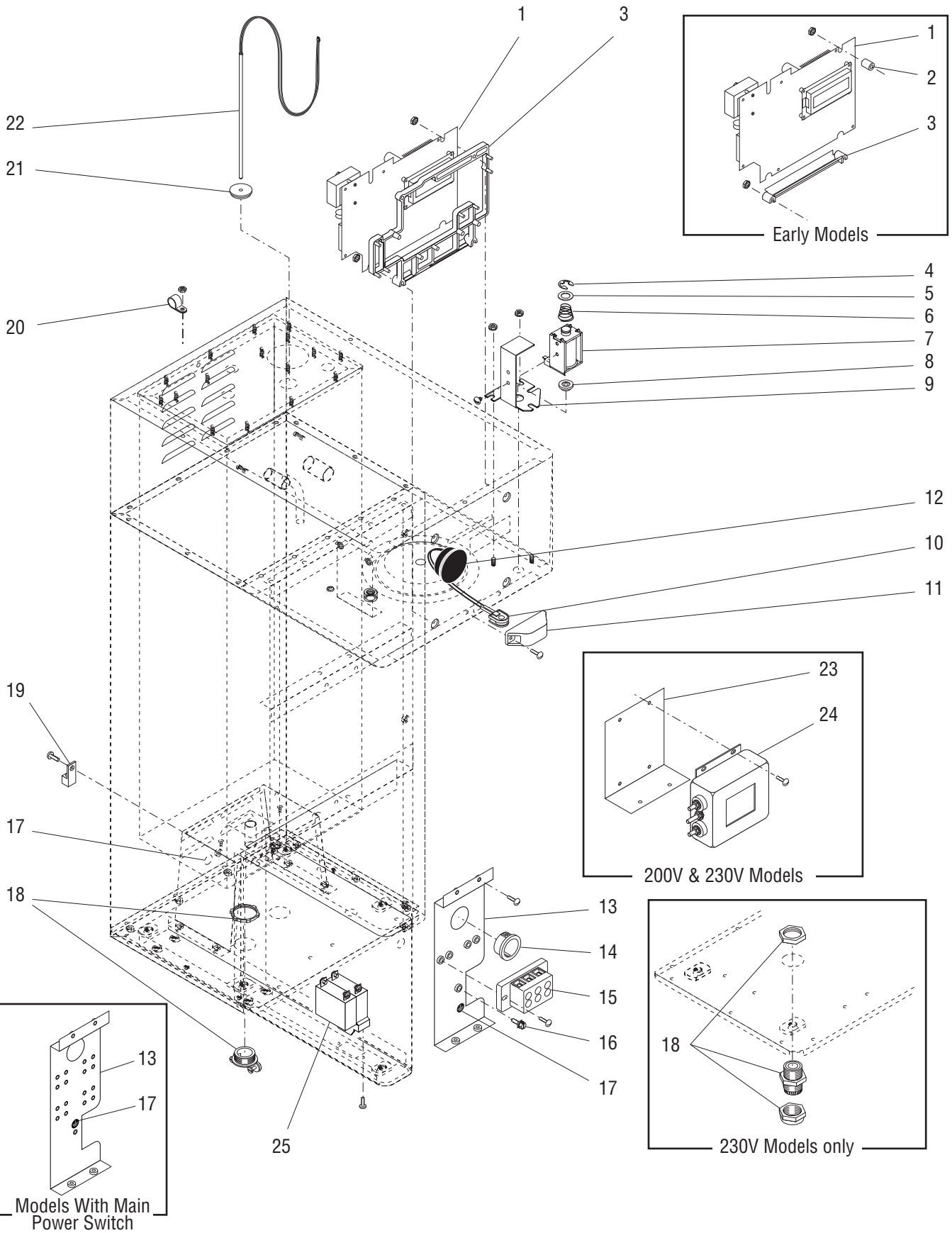
Also see item 39

(continued)



ELECTRICAL CONTROLS

**SINGLE
TF DBC**



P2731.50

ELECTRICAL CONTROLS

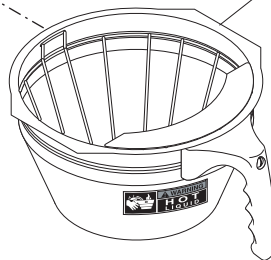
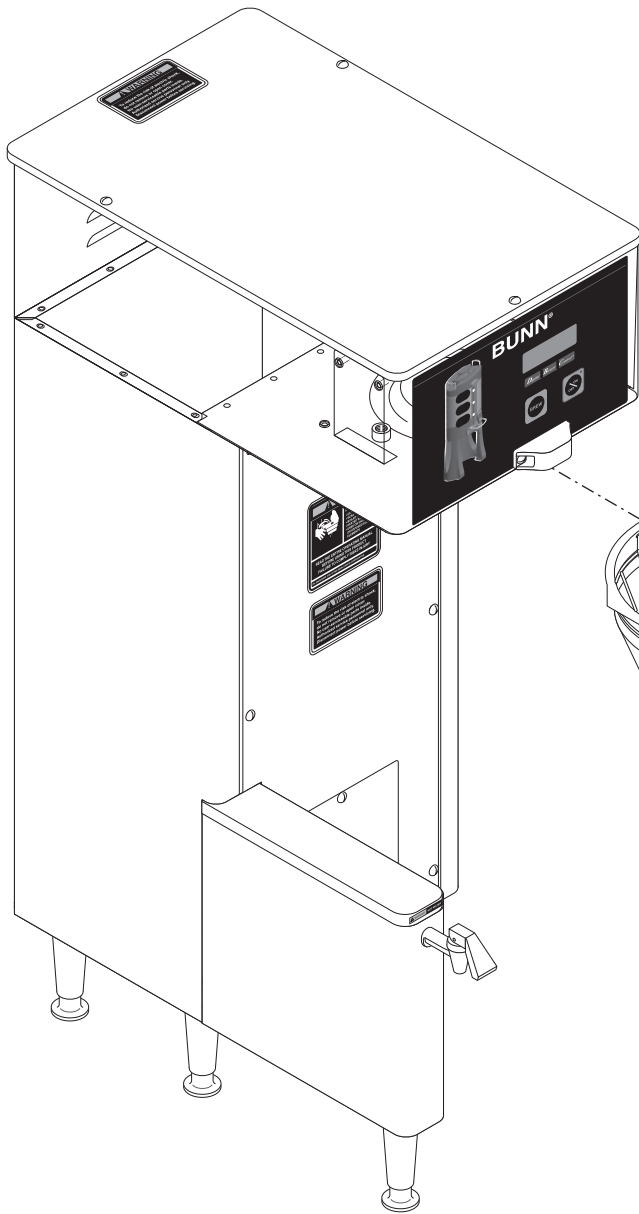
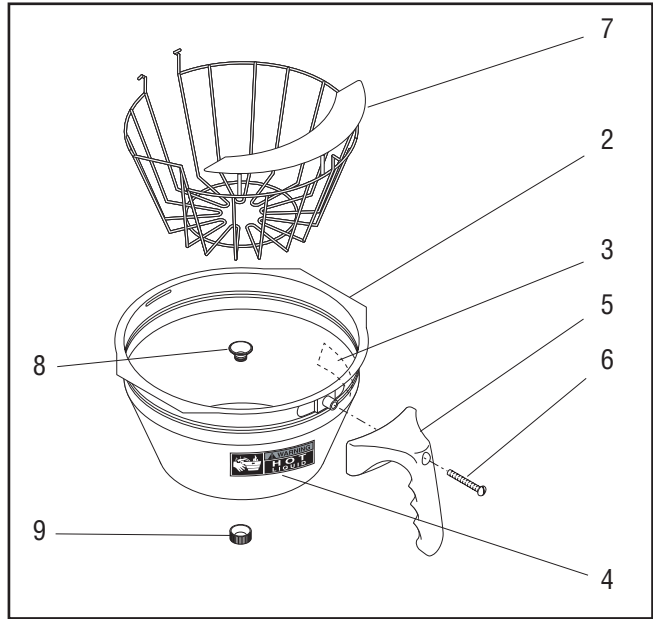
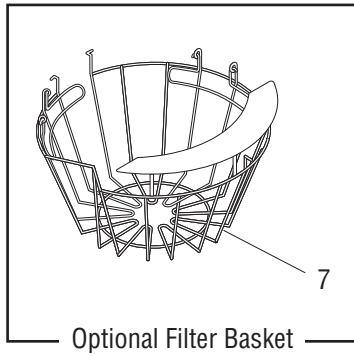
ITEM	PART NO.	QTY.	DESCRIPTION
22	29327.0000	1	Probe Kit, Temperature/Dry Plug
23	36885.0000	1	Bracket, EMI Filter Mount
24	29446.0002	1	EMI Filter (200V & 230V models)
	01347.0000	4	Screw, Truss Head #6-32 x .38"
25	38894.0001	1	Switch, Main Power
	01308.0002	2	Screw, Truss Head #6-32 x .25" (Switch Mounting)
	01327.0000	4	Screw, Pan Head #10-32 x .375" } Terminals
	01512.0000	4	Lockwasher, External Tooth #10 }
NOTE: The following items are not illustrated			
26	33634.0005	1	Wiring Harness, Main 120/208V & 120/240V models (Brewers prior to 08/05/05)
	33634.0030	1	Wiring Harness, Main 120/208V & 120/240V models (Models W/Inlet Valve in Base)
	33634.0021	1	Wiring Harness, Main 120V models (Brewers after 08/05/05)
	33634.0031	1	Wiring Harness, Main 120V models (Models W/Inlet Valve in Base)
	33634.0032	1	Wiring Harness, Main 240V 2 Wire (Models W/Inlet Valve in Base)
	33634.0026	1	Wiring Harness, Main 230V 3 Phase
	33634.0035	1	Wiring Harness, Main 230V (230V models W/Inlet Valve in Base)
27	03851.0000	2	Wire Nut
28	32649.0001	1	Cover (Models without Funnel Lock)
29	23799.0001	1	Power Cord (120V Models only)
	42749.0026	1	Power Cord w/plug (230V Models - CE/Keti)
30	37859.0002	1	Wiring Harness, On/Off Switch (Models with main On/off Switch only)
31	34707.0000	1	Wiring Harness, EMI Filter (200V & 230V models)
32	39717.0000	1	Wiring Harness, Heater/EMI Filter
33	39717.0001	1	Wiring Harness, Contactor/Heater
34	39717.0002	1	Wiring Harness, Contactor/EMI Filter
35	39717.0003	1	Wiring Harness, Limit Thermostat/Contactor
36	21003.0418	1	Lead, Red 13.0"
37	36086.0000	1	Lead, GRN 10.0", EMI Filter (200V & 230V Early models only)
38	38338.0000	-	Kit, Funnel Sensors (Includes Funnel Sensor Coils W/Leads)
39	35952.1003	-	Solenoid Assy, Funnel Lock 120V (Includes items 4 thru 9)
	35952.1004	-	Solenoid Assy, Funnel Lock 200V (Includes items 4 thru 9)
	35952.1005	-	Solenoid Assy, Funnel Lock 230V (Includes items 4 thru 9)

* Indicates the part number listed is for reference only. See DESCRIPTION for possible service replacement.



FUNNEL

**SINGLE
TF DBC**



FUNNEL

ITEM	PART NO.	QTY.	DESCRIPTION
1	32643.0000	2	Funnel Assy, SST
	32643.0010	2	Funnel Assy W/D-Ring Basket, SST (Optional)
] Each includes Items 2 thru 9
2	24462.0002	1	Funnel W/Decals (Includes items 3 & 4)
3	03408.0004	1	Decal, Warning-Remove Funnel
4	03409.0004	1	Decal, Warning-Hot Liquid
5	32595.0000	1	Handle, Funnel-Black
6	12499.0002	1	Screw, Round Head .25" - 20 x 1.50" BLK
7	33089.0000	1	Filter Basket w/Splash Guard
	33089.0001	1	Filter Basket w/Splash Guard & D-Rings (Optional)
8	32139.0000	1	Insert, Funnel Tip - Male (Refer to item 10)
9	32140.0000	1	Insert, Funnel Tip - Female (Refer to item 10)
10	01031.0001	-	Funnel Tip Kit (Includes items 8 & 9)