



ILLUSTRATED PARTS CATALOG

Designs, materials, weights, specifications, and dimensions for equipment or replacement parts are subject to change without notice.

Bunn-O-Matic Corporation
Post Office Box 3227, Springfield, Illinois 62708-3227
Phone (217) 529-6601 | Fax (217) 529-6644

Sure Immersion Product Warranty

Bunn-O-Matic Corporation (“BUNN”) warrants the Bunn Sure Immersion system, further described below for a warranty period of 1 year parts and labor.

This warranty period runs from the date of installation. BUNN warrants that the equipment manufactured by it will be commercially free of defects in material and workmanship existing at the time of manufacture and appearing within the applicable warranty period. This warranty does not apply to any equipment, component or part that was not manufactured by BUNN or that, in BUNN’s judgment, has been affected by misuse, neglect, alteration, improper installation or operation, improper maintenance or repair, damage or casualty. This warranty is conditioned on the Buyer 1) giving BUNN prompt notice of any claim to be made under this warranty by telephone at (217) 529-6601 or by writing to Post Office Box 3227, Springfield, Illinois 62708-3227; 2) if requested by BUNN, shipping the defective equipment prepaid to an authorized BUNN service location; and 3) receiving prior authorization from BUNN that the defective equipment is under warranty. Additionally the following is excluded from the warranty period

Warranty Exclusions:

Parts such as, but not limited to, hoppers and lids, drip trays, and plastic parts damaged due to improper handling or cleaning agents.

Replacement of wear items such as, but not limited to, O-rings, gaskets, tubes, brew box seal, hoses, and valve seats.

Repairs made necessary due to poor water quality, such as dispense valves, coils, water inlet valves, scaling in hot water boilers.

Improper voltage, (See equipment operations manual for voltage specifications)

Touch screen due to improper use or damage

Failure to perform cleaning procedures constitutes improper maintenance.

Failure to have required preventive maintenance performed by a BUNN technician or an authorized BUNN service agent.

Parts replaced under the terms of this warranty carry the remainder of the machine’s parts warranty term, or 60 days, whichever is greater.

THE FOREGOING WARRANTY IS EXCLUSIVE AND IS IN LIEU OF ANY OTHER WARRANTY, WRITTEN OR ORAL, EXPRESS OR IMPLIED, INCLUDING, BUT NOT LIMITED TO, ANY IMPLIED WARRANTY OF EITHER MERCHANTABILITY OR FITNESS FOR A PARTICULAR PURPOSE. The agents, dealers or employees of BUNN are not authorized to make modifications to this warranty or to make additional warranties that are binding on BUNN. Accordingly, statements by such individuals, whether oral or written, do not constitute warranties and should not be relied upon.

If BUNN determines in its sole discretion that the equipment does not conform to the warranty, BUNN, at its exclusive option while the equipment is under warranty, shall either 1) provide at no charge replacement parts and/or labor (during the applicable parts and labor warranty periods specified above) to repair the defective components, provided that this repair is done by a BUNN Authorized Service Representative; or 2) shall replace the equipment or refund the purchase price for the equipment.

THE BUYER’S REMEDY AGAINST BUNN FOR THE BREACH OF ANY OBLIGATION ARISING OUT OF THE SALE OF THIS EQUIPMENT, WHETHER DERIVED FROM WARRANTY OR OTHERWISE, SHALL BE LIMITED, AT BUNN’S SOLE OPTION AS SPECIFIED HEREIN, TO REPAIR, REPLACEMENT OR REFUND.

In no event shall BUNN be liable for any other damage or loss, including, but not limited to, lost profits, lost sales, loss of use of equipment, claims of Buyer’s customers, cost of capital, cost of down time, cost of substitute equipment, facilities or services, or any other special, incidental or consequential damages.

392, A Partner You Can Count On, Air Infusion, AutoPOD, AXIOM, BrewLOGIC, BrewMETER, Brew Better Not Bitter, BrewWISE, BrewWIZARD, BUNN Espresso, BUNN Family Gourmet, BUNN Gourmet, BUNN Pour-O-Matic, BUNN, BUNN with the stylized red line, BUNNlink, Bunn-O-Matic, Bunn-O-Matic, BUNNserve, BUNNSERVE with the stylized wrench design, Cool Froth, DBC, Dr. Brew stylized Dr. design, Dual, Easy Pour, EasyClear, EasyGard, FlavorGard, Gourmet Ice, Gourmet Juice, High Intensity, iMIX, Infusion Series, Intellisteam, My Café, Phase Brew, PowerLogic, Quality Beverage Equipment Worldwide, Respect Earth, Respect Earth with the stylized leaf and coffee cherry design, Safety-Fresh, savemycoffee.com, Scale-Pro, Silver Series, Single, Smart Funnel, Smart Hopper, Smart-WAVE, Soft Heat, SplashGard, The Mark of Quality in Beverage Equipment Worldwide, ThermoFresh, Titan, trifacta, TRIFECTA (stylized logo), Velocity Brew, Air Brew, Beverage Bar Creator, Beverage Profit Calculator, Brew better, not bitter., Build-A-Drink, BUNNSource, Coffee At Its Best, Cyclonic Heating System, Daypart, Digital Brewer Control, Element, Milk Texturing Fusion, Nothing Brews Like a BUNN, Picture Prompted Cleaning, Pouring Profits, Signature Series, Sure Tamp, Tea At Its Best, The Horizontal Red Line, Ultra are either trademarks or registered trademarks of Bunn-O-Matic Corporation. The commercial trifacta® brewer housing configuration is a trademark of Bunn-O-Matic Corporation.

TABLE OF CONTENTS

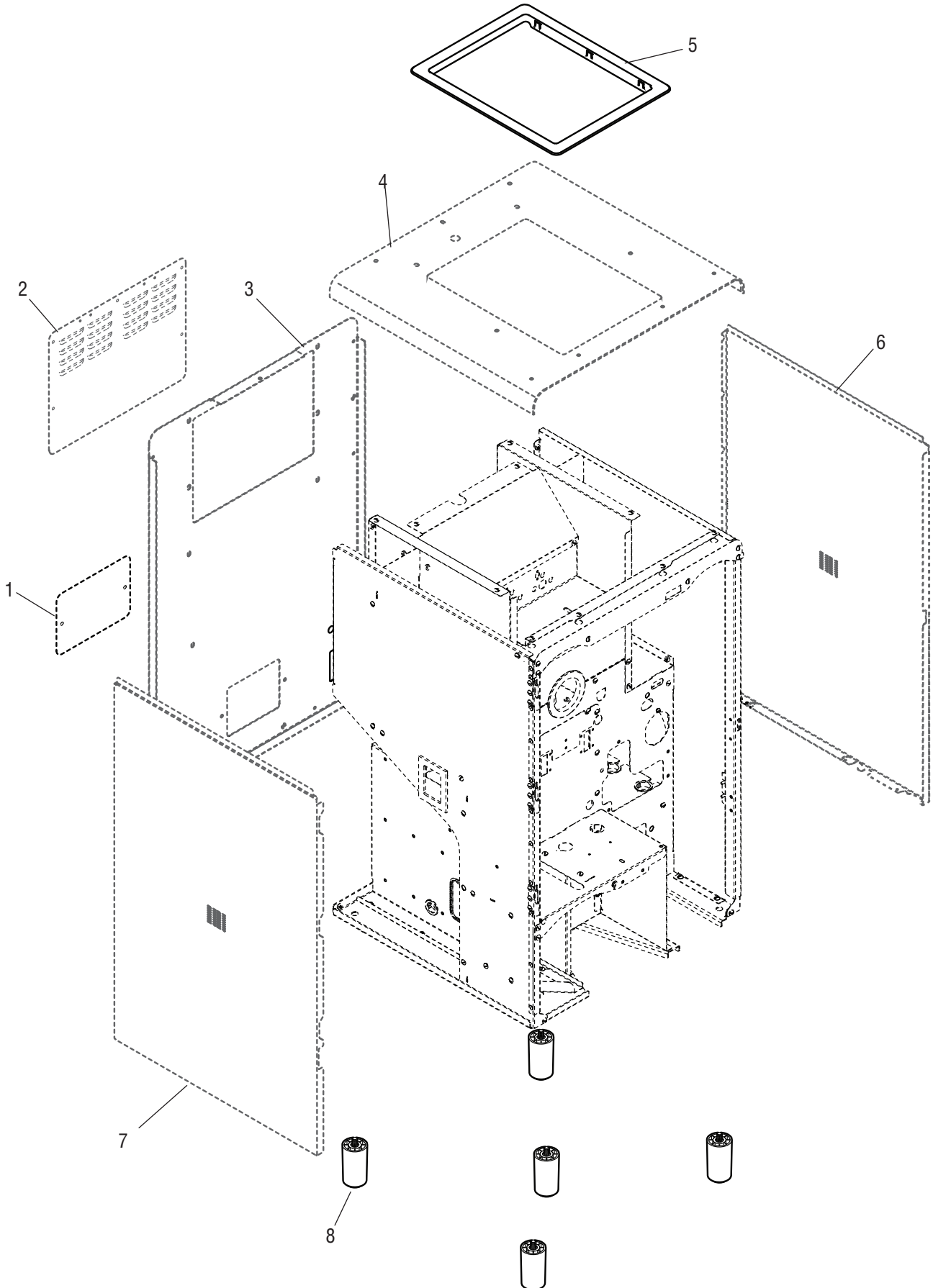
EXTERIOR COMPONENTS	4
DOOR COMPONENTS	8
DECALS	10
GRINDER COMPONENTS.....	12
BREW ARM COMPONENTS	14
PAPER PATH - TAKEUP DRIVE COMPONENTS	16
BREW COMPONENTS	18
POWDER HOPPER COMPONENTS	20
POWDER HOPPER DRIVE COMPONENTS	22
VACUUM COMPONENTS	24
WATER TANK COMPONENTS.....	28
WATER VALVE COMPONENTS	30
WATER HOSE COMPONENTS	32
ELECTRICAL COMPONENTS.....	38
KITS (including Preventive Maintenance)	45

To search this document electronically, press “control” + “F” (on P.C.) or “command” + “F” on Mac, then type in description or part number, press “enter”.



EXTERIOR COMPONENTS

SI 312

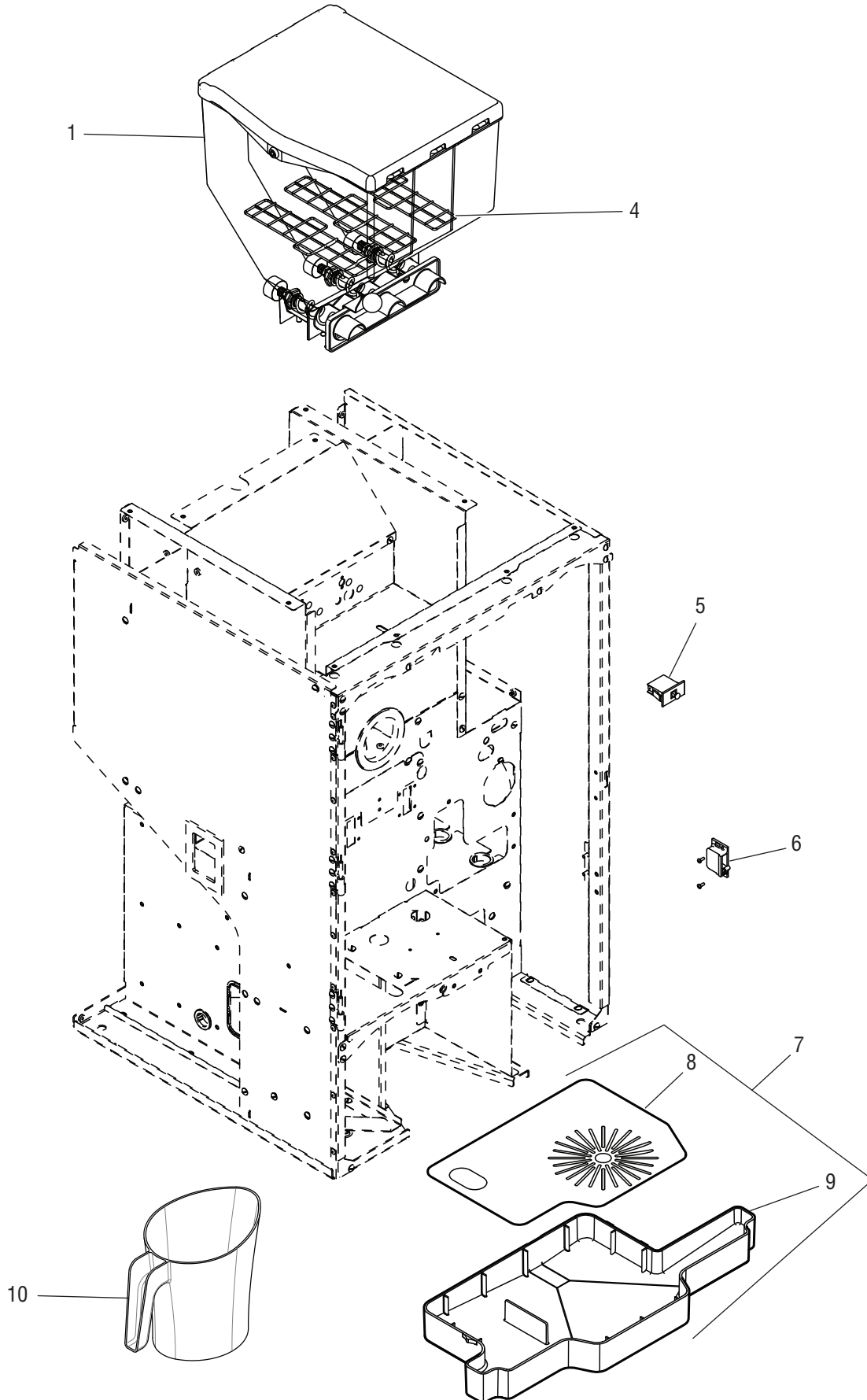


EXTERIOR COMPONENTS			
ITEM	PART NO.	QTY.	DESCRIPTION
1	49415.1000		Panel, Water Valve Access
2	49416.0000		Panel, Tank Valve Access
3	49414.0000		Panel, Back
4			Panel, Top
5	52607.0000	1	Ring, Bean Hopper Trim
6			Panel, Right Side
7			Panel, Left Side
8	47978.1001	5	Kit, Leg

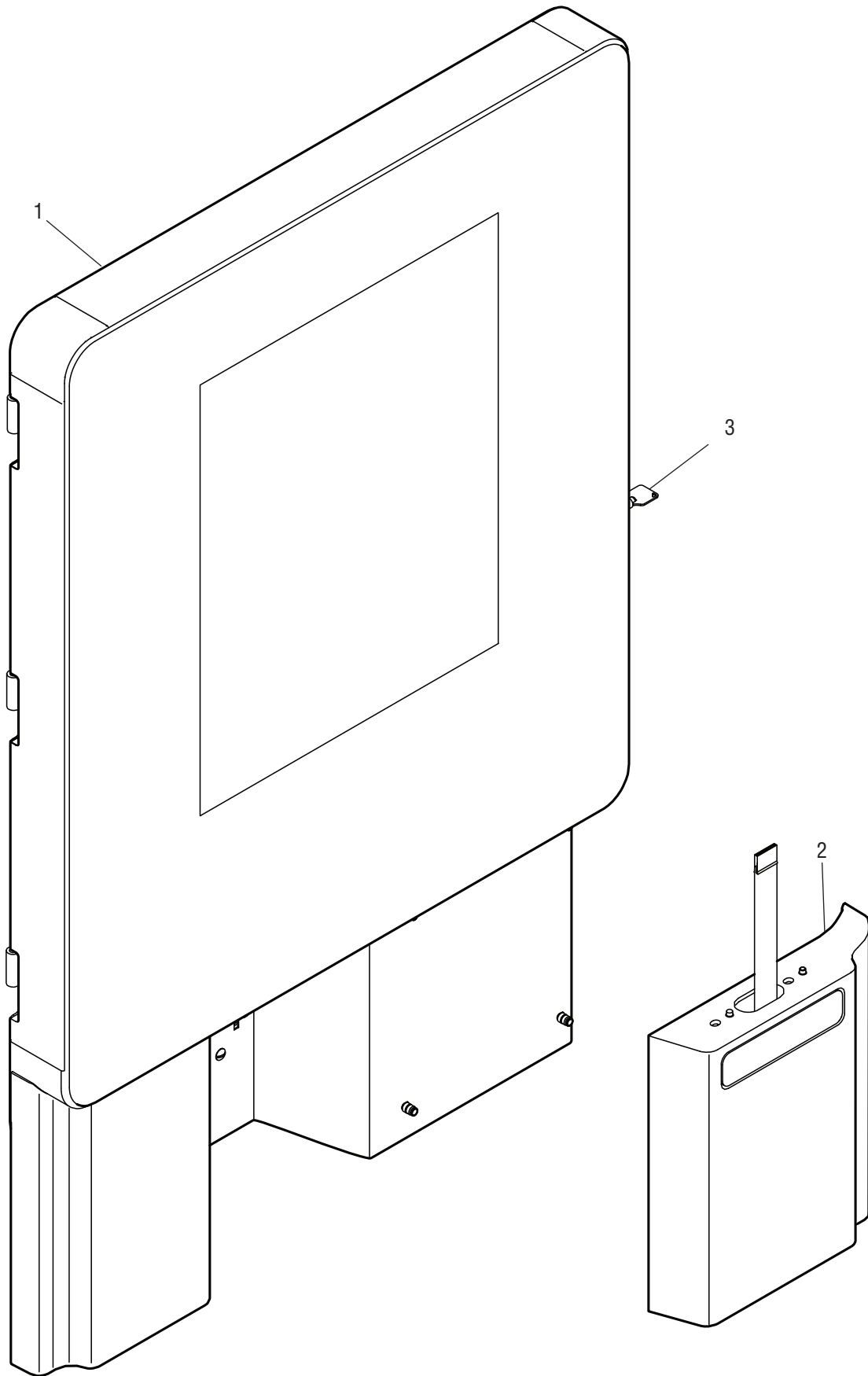


EXTERIOR COMPONENTS

SI 312

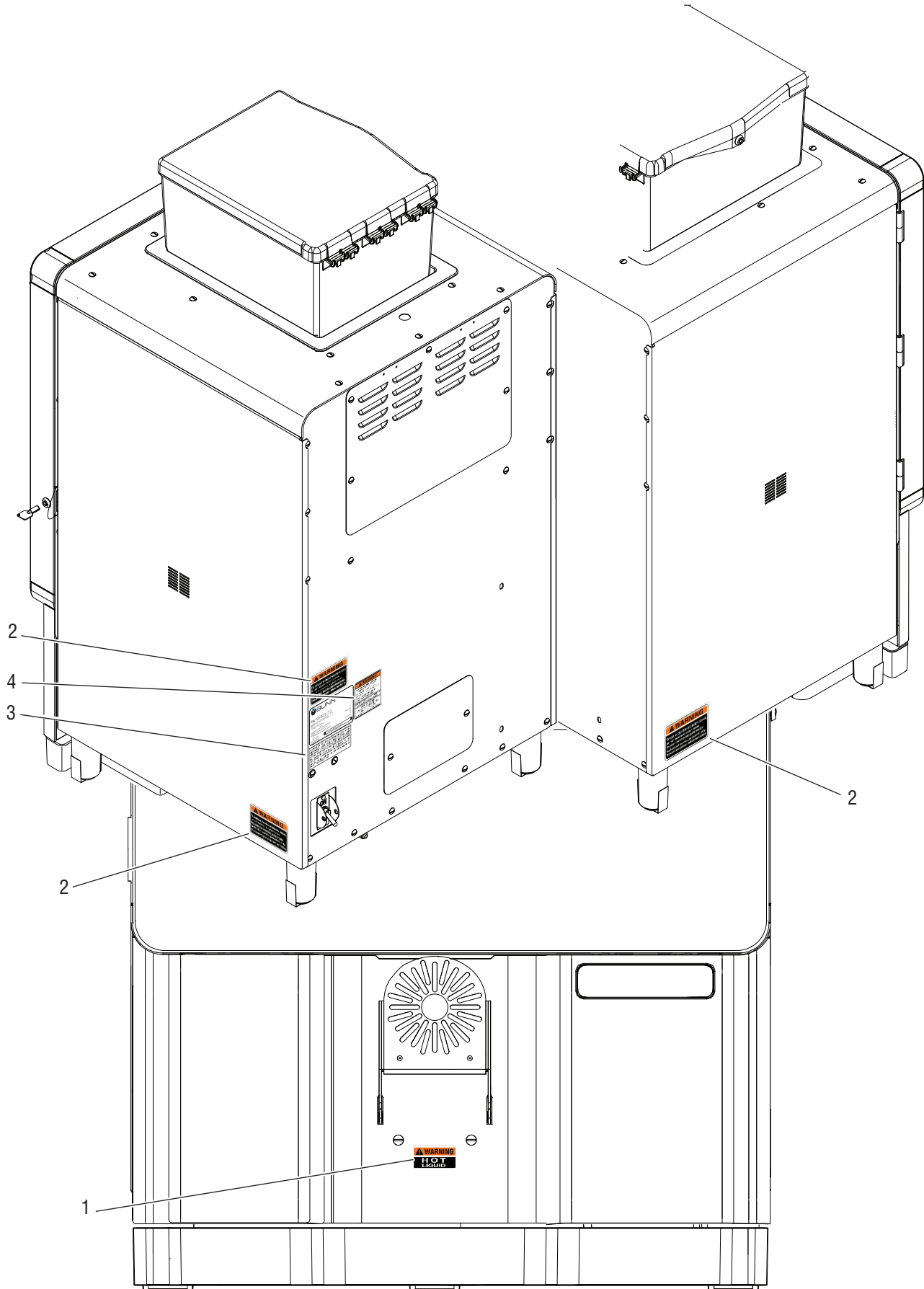


EXTERIOR COMPONENTS			
ITEM	PART NO.	QTY.	DESCRIPTION
1	52452.1000	1	Assembly, Bean Hopper
2	52445.0000	2	Lid, Bean Hopper Inner (Side) - Not Shown
3	52446.0000	1	Lid, Bean Hopper Inner (Center) - Not Shown
4	52449.0001	3	Guard, Bean Hopper Finger
5	50573.0001	1	Switch, Door Interlock
6	34666.0000	1	Door Catch
7	52537.1000	1	Kit, Drip Tray with Cover
8	52724.0000	1	Cover, Drip Tray
9	52537.0000	1	Drip Tray
10	04238.0000	1	Pitcher



DOOR COMPONENTS

ITEM	PART NO.	QTY.	DESCRIPTION
1	52421.1011	1	Kit, Door Black Assembly SI 312
	52421.1110	-	Kit, Door Gold w/o Display Assembly SI 312
	52421.1111	-	Kit, Door Black w/o Display Assembly SI 312
	52841.1000	1	Kit, Touchscreen - 17"
	50775.0011	1	Cable, Power - Not Shown
2	52993.1000	1	Assembly, ADA Lower Door Panel
3	52729.1000	1	Kit, Door Lock Assembly w/ Cam
4	51711.1000	1	Kit, Door Wiring Harness - Not Shown



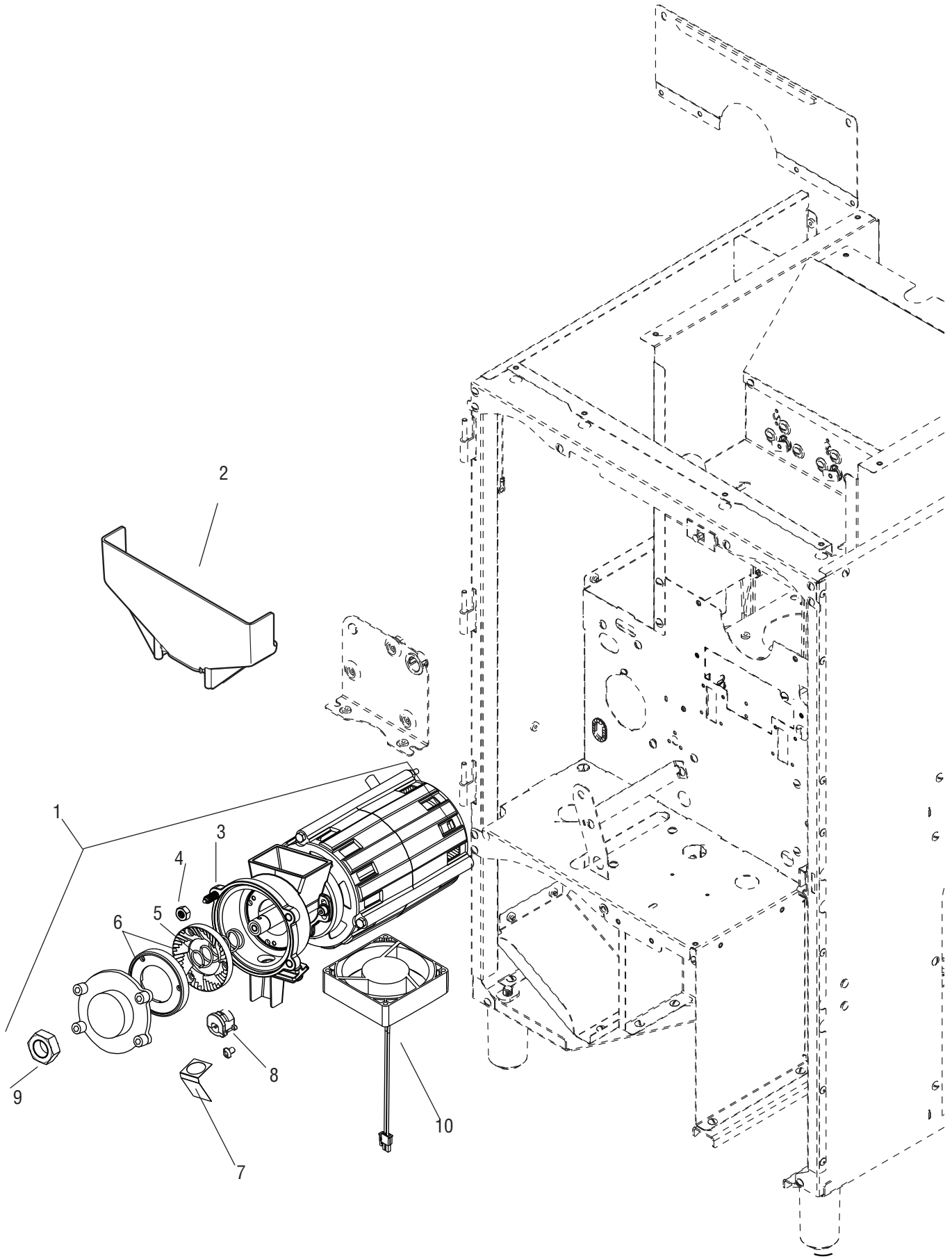
EXTERIOR COMPONENTS - DECALS

ITEM	PART NO.	QTY.	DESCRIPTION
1	35710.0000	1	Decal, Warning Hot Liquids
2	37881.0000	1	Decal, Warning No Service Parts
3	00656.0001	1	Decal, Comply To Plumbing Code
4	00986.0002	1	Decal, Warning Electrical



GRINDER COMPONENTS

SI 312



GRINDER COMPONENTS

ITEM	PART NO.	QTY.	DESCRIPTION
1	52369.0000 50811.0103	1	Kit, Grinder/120V (includes capacitor) Capacitor, 45MF 440V for 120V machines
2	52407.1000	1	Kit, Bean Funnel (Includes Gasket)
3	52980.0000	1	Plunger, Spring M6 x 1.0
4	52981.0000	1	Nut, Hex M6 SST
5	50811.0101	1	Auger Wire, EMH-54
6	50811.0102	2	Grinding Burrs, Set - 54mm Steel
7	50811.0100	1	Flapper, Coffee Dechaffer
8	47280.0001	1	Bushing, Strain Relief
9	50811.0106	1	Nut, Hex M16 x 1.0
10	33358.0000	1	Fan Assy, 24VDC 52CFM 3.62"x1.0"

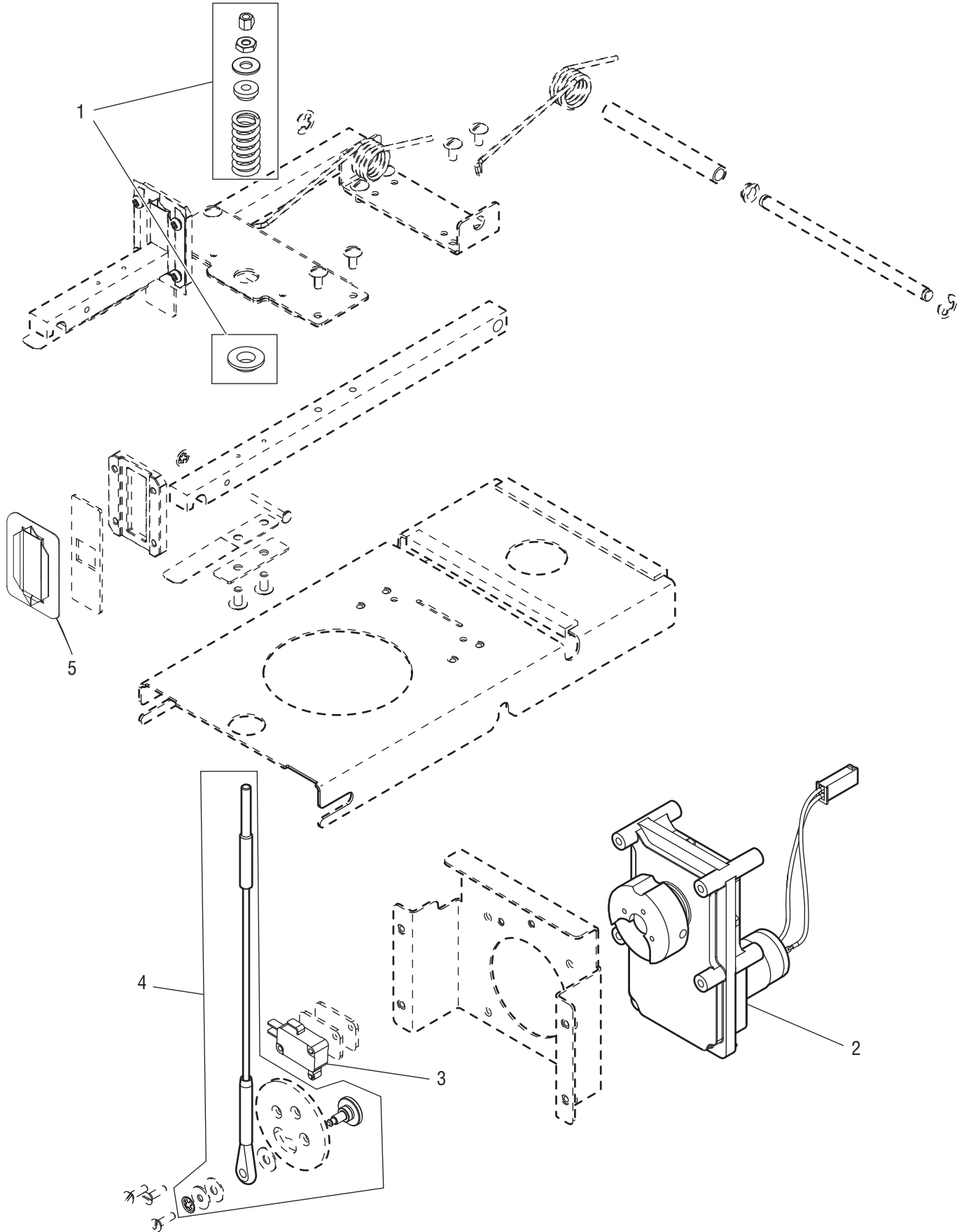
The following items are not illustrated

50811.0102	1	Set, Grinding Burrs, 54mm Steel (not illustrated)
50811.0101	1	Auger Wire, EMH-54 (not illustrated)
50811.0100	1	Flapper, Coffee Dechaffer (not illustrated)
50811.0104	1	Capacitor, 14MF 440V for 230V Machines (not illustrated)
50811.0103	1	Capacitor, 45MF 440V for 120V Machines (not illustrated)



BREW ARM COMPONENTS

SI 312



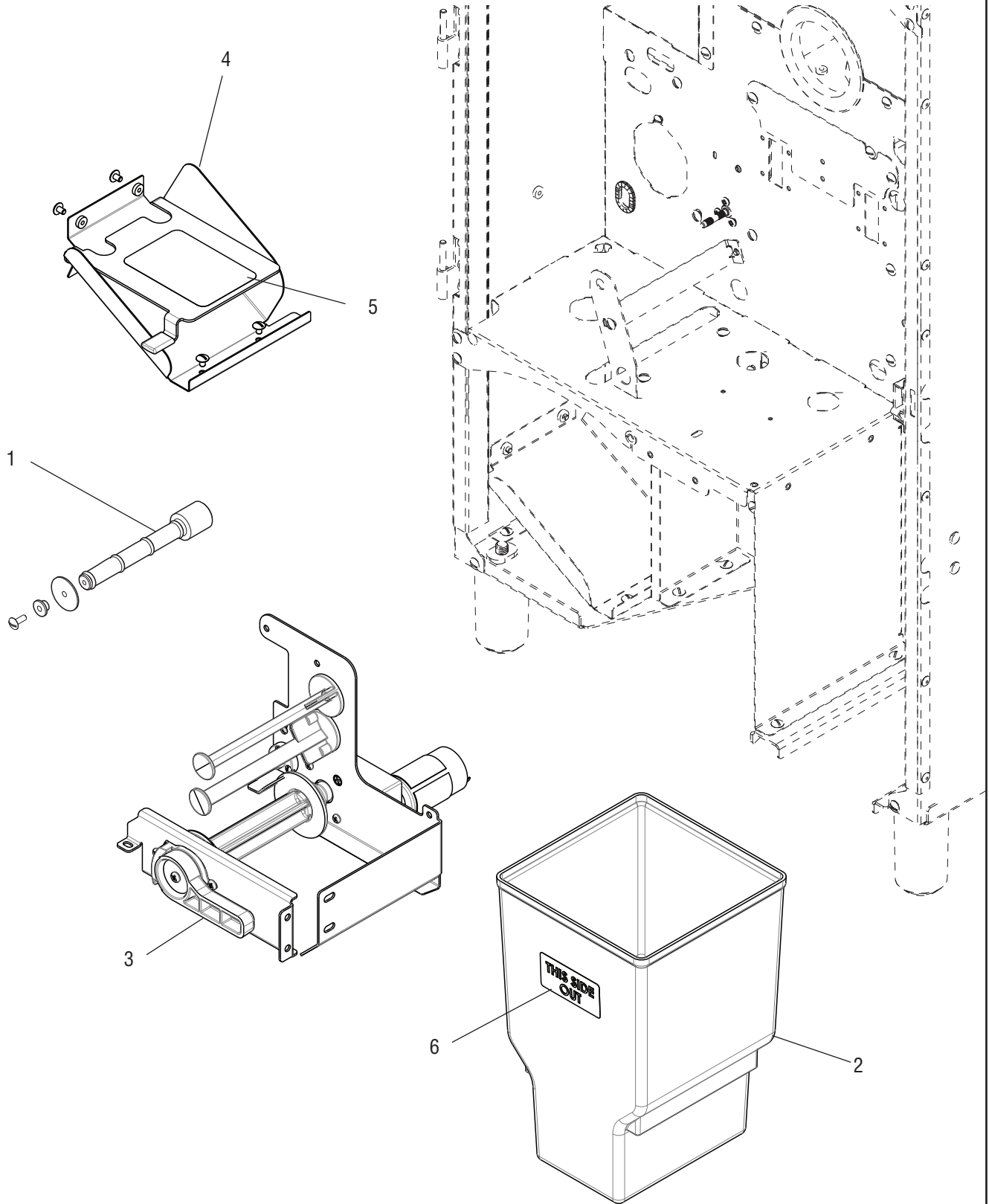
BREW ARM COMPONENTS

ITEM	PART NO.	QTY.	DESCRIPTION
1	50954.1000	1	Kit, Brew Arm Torsion Hardware
2	53663.0000	1	Gear Motor Assy, w/terms-Brew Arm
	52733.1010	1	Kit, Gear Motor Assy Brew Arm
3	25977.0000	1	Roller Switch
4	52601.1001	1	Kit, Cam Wheel Assembly
	51023.0002	1	Roller, Pivot Arm Link
	52972.0000	1	Retainer Ring
5	54107.0000	2	Gasket, Brew Arm



PAPER PATH - TAKEUP DRIVE COMPONENTS

SI 312



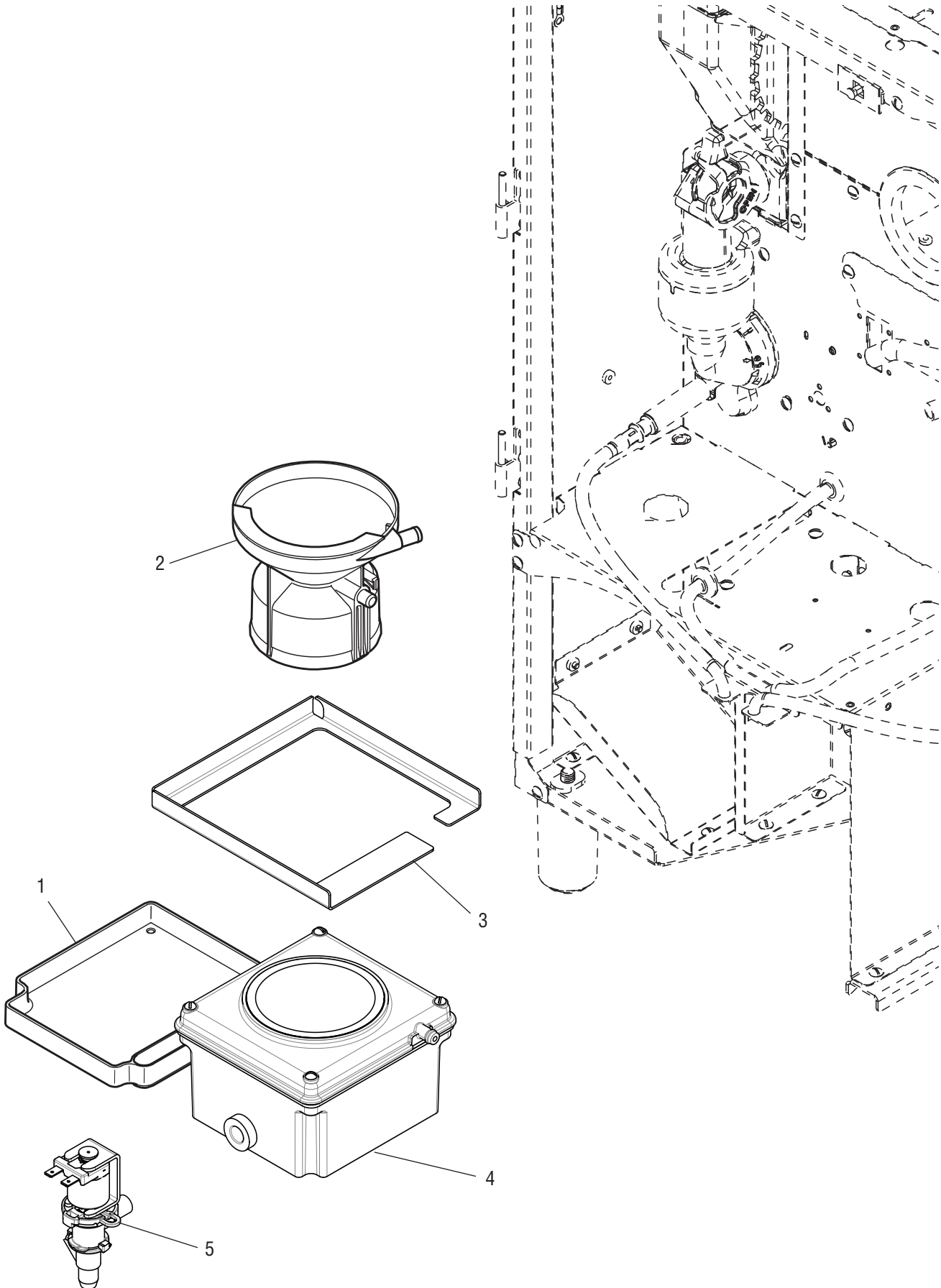
PAPER PATH - TAKEUP DRIVE COMPONENTS

ITEM	PART NO.	QTY.	DESCRIPTION
1	51268.1060	1	Kit, Paper Counter Roller
2	53460.1001	1	Grounds Bin
3	52677.0000	1	Kit, Paper Feed Assembly
4	55344.1000	1	Kit, Paper Tensioner
5	55342.0000	1	Decal, Paper Loading
6	55343.0000	1	Decal, This Side Out



BREW COMPONENTS

SI 312



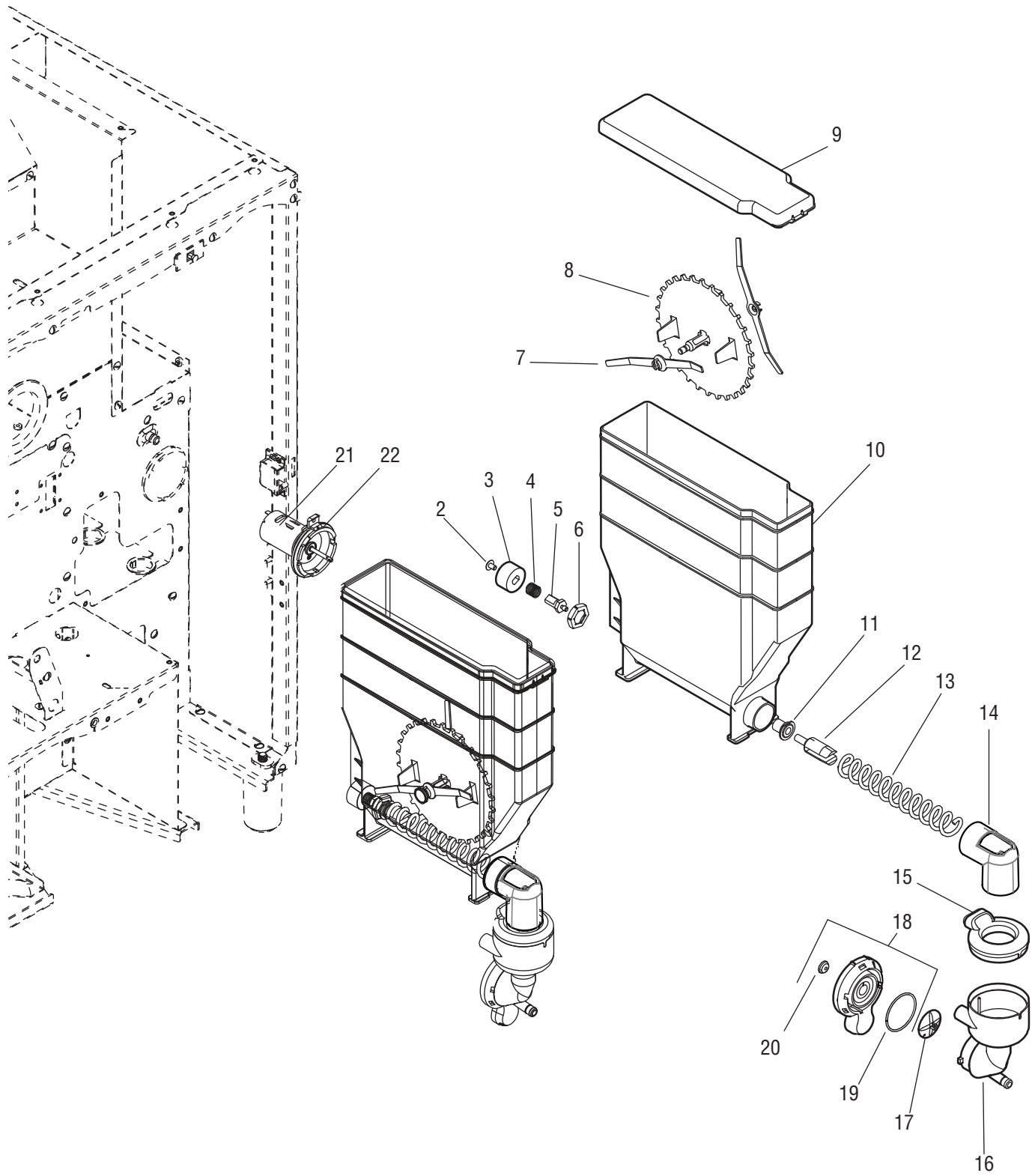
BREW COMPONENTS

ITEM	PART NO.	QTY.	DESCRIPTION
1	52762.0000	1	Overflow Tray
2	50203.0001	1	Brew Funnel
3	53955.0000	1	Grounds Tray
4	54171.1020	1	Brew Box Assembly
	51171.1020	1	Kit, Brew Box Rebuild
5	49936.0003	1	Coffee Dispense Valve
	49936.0010	1	Service Kit, Dispense Valve
	54536.0000	1	Valve Outlet, w/Bypass



POWDER HOPPER COMPONENTS

SI 312



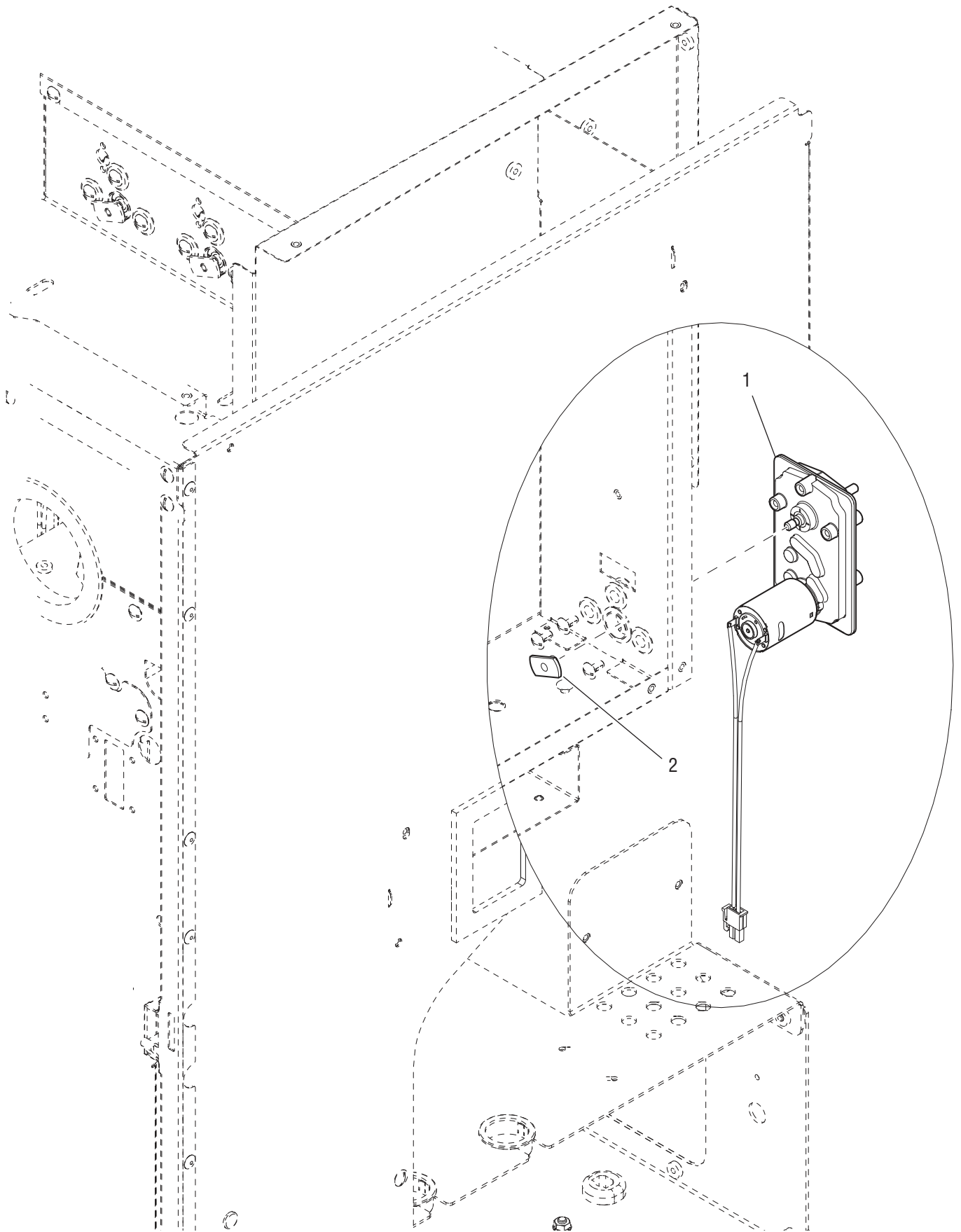
POWDER HOPPER COMPONENTS

ITEM	PART NO.	QTY.	DESCRIPTION
1	37010.1010	2	Hopper Assembly, 6.5 lb Wire Auger (contains items 1-12)
2	01326.0002	2	Screw, TRH LKG Patch 10-32x.31
3	36770.0000	2	Coupling, Auger Drive
4	36774.0000	2	Spring, Hopper Coupling
5	37539.0000	2	Drive Shaft, Hopper
6	25743.0000	2	Locknut, .625-11x .224
7	32337.0000	4	Mixing Blade, 6"
8	32386.0001	2	Disk, Agitator 30-Tooth
9	36653.0001	2	Lid, Hopper
10	36652.0000	2	Hopper
11	28067.0000	2	Bushing, Auger Drive Shaft
12	26940.0007	2	Shaft, Auger Drive - Steel FMD3
13	39442.0000	2	Auger Wire,
14	56767.1000	2	Kit, Powder Hopper Dispense Elbow SI312
15	50597.0000	2	Steam Trap
16	50594.0000	2	Mixing Chamber
17	50593.0000	2	Impeller
18	50595.0000	2	Base, Blender (Includes items 19 & 20)
19	50595.0001	2	O-Ring, 1.48 ID Blender Base
20	50595.0002	2	Gasket, Silicone Blender Base
21	50596.0002	2	Whipper Motor
22	57609.0000	2	Kit, Whipper Motor Base w/Screws



POWDER HOPPER DRIVE COMPONENTS

SI 312



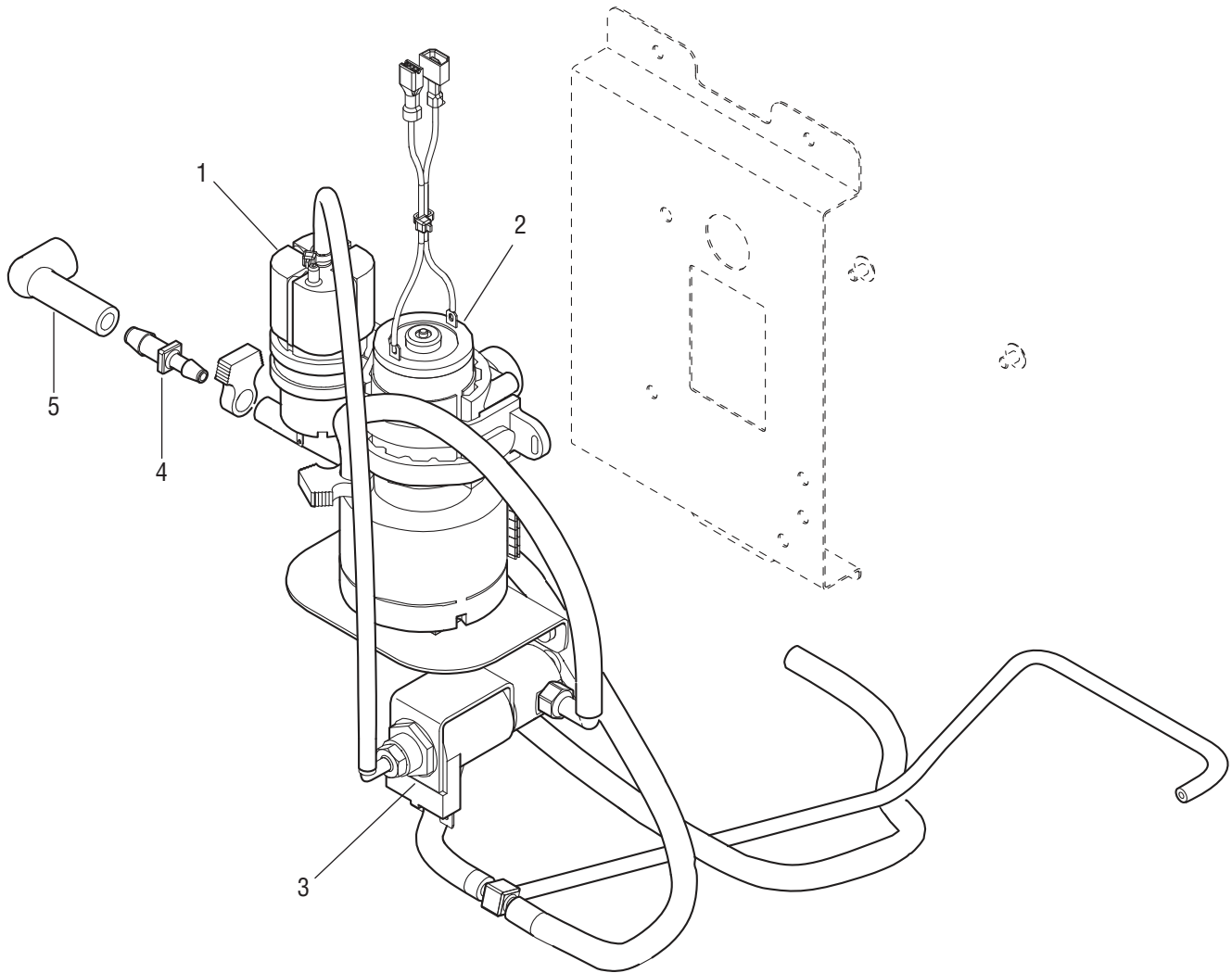
POWDER HOPPER DRIVE COMPONENTS

ITEM	PART NO.	QTY.	DESCRIPTION
1	37037.1001	2	Gearmotor Assembly
2	36773.0000	2	Auger Drive Plate



VACUUM COMPONENTS- EARLY STYLE

SI 312



VACUUM COMPONENTS - EARLY STYLE

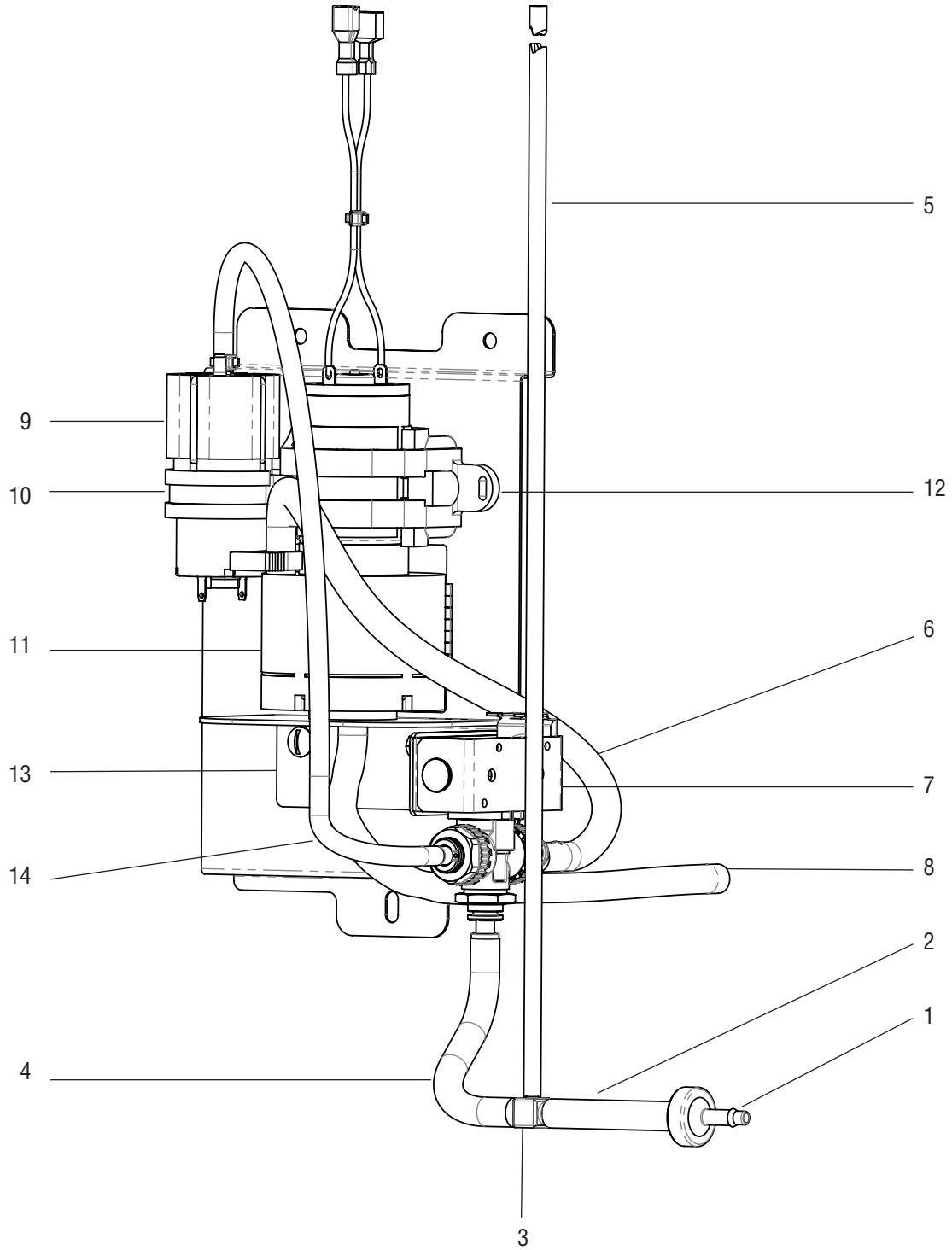
ITEM	PART NO.	QTY.	DESCRIPTION
1	57065.0000	1	Air Pump
2	51994.0000	1	Vacuum Pump
3		1	3-Way Valve Assy (Order Item 6)
4	42780.0000	1	Reducer, Barb .25 x .188
5	51527.0001	1	Connector, w/rib - Brew Box Tube
6.	58679.1000	1	Kit, Valve Solenoid 24V, 3/2 Way (See Later Style Pictorial)
		1	Bracket, Pump and Valve Mtg
		1	Valve, Solenoid 24v 3/2 Way
		1	Adapter, 6mm x .125 Barb AVSR0MER
		2	Fitting, 6mm PPSU Tube 4mm ID
		2	Screw, Hex Crimptite"ab"#6x.25

} Included in Item 6



VACUUM COMPONENTS - LATER STYLE

SI 312



VACUUM COMPONENTS - LATER STYLE

ITEM	PART NO.	QTY.	DESCRIPTION
1.	50589.0000	1	Filter In-Line, 250 Mesh
2.		-	Tube, Silicone-.188id x 2" lg (Order Item 15)
3.	41089.0000	1	Tee,.188x.188x.125 Polypropyl
4.		-	Tube, Silicone-.188id x 4.5" (Order Item 15)
5.		-	Tubing, Sil Pt .094id x .219od x 21lg (Order Item 17)
6.		-	Tube, Silicone-.188id x 10" (Order Item 15)
7.	58679.0000	1	Valve, Solenoid 24v 3/2 Way
	02332.0001	2	Screw, Hex Crimptite"ab"#6x.25
8.		-	Tube, Silicone-.188id x 23.5in (Order Item 15)
9.	57065.0000	1	Mini Pump, Sure Immersion
10.	40935.1000	1	Kit, Loop Clamp 1.00" w/Nut
	01321.0000	1	Screw, Trh Sltd 8-32x1.0 SST
11.	51994.0000	1	Vacuum Pump Assy, w/Terms
12.	47462.0000	1	Saddle, Water Pump Motor
13.		1	Bracket, Pump and Valve Mounting
	01311.0001	2	Screw,Trh Sltd SST 8-32x.25lkg
14.		-	Tube, Silicone-.125id x 11.5in (Order Item 16)

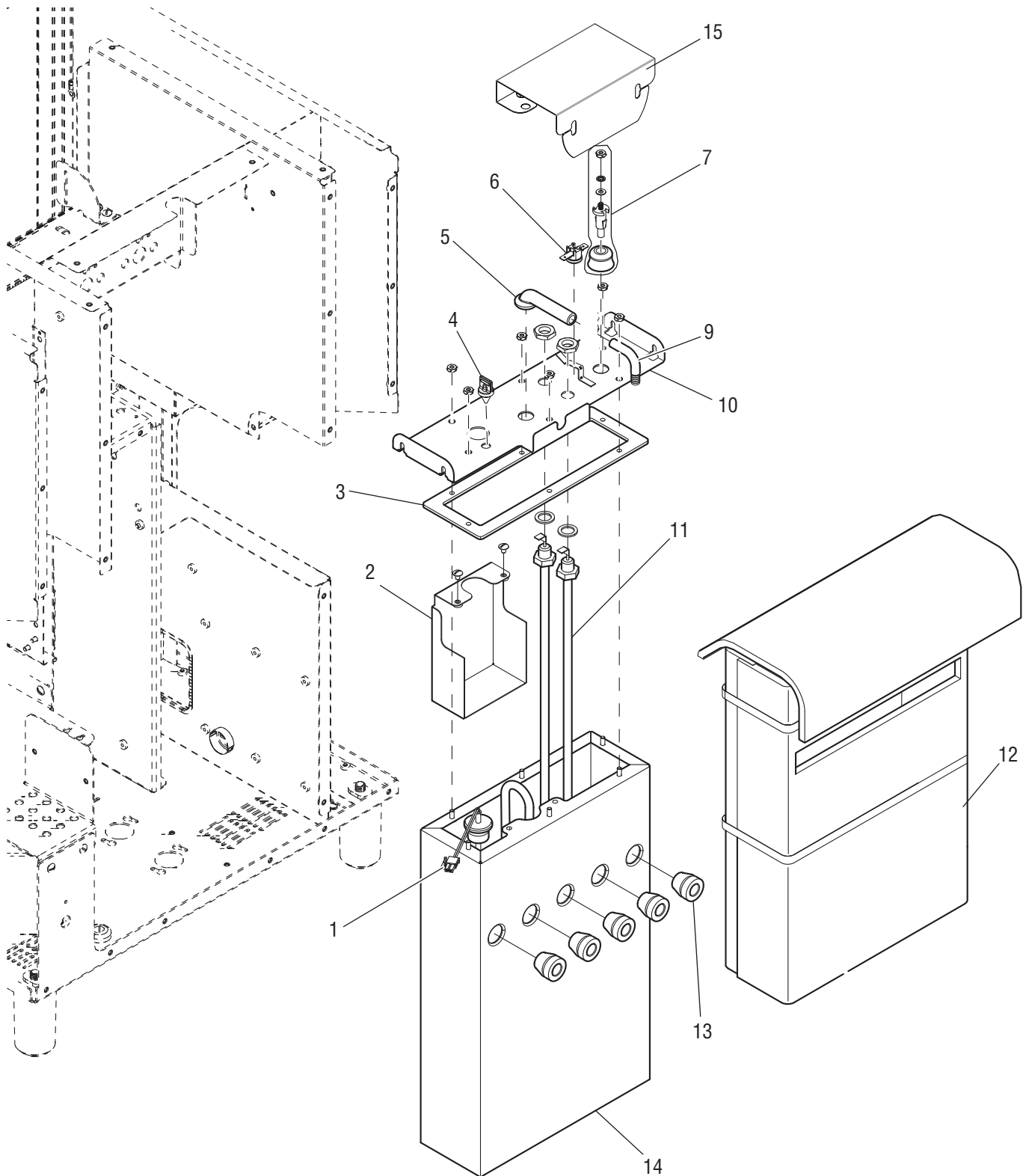
The following items are not illustrated

15.	42916.1000	-	Kit, Slcn-Trans Tube 12.0" LG
	42916.1001	-	Kit, Slcn-Trans Tube 36.0" LG
	42916.1002	-	Kit, Slcn-Trans Tube 120.0" LG
16.	42918.1000	-	Kit, Slcn Tube .125 ID x 1 FT
	42918.1001	-	Kit, Slcn Tube .125 ID x 3 FT
	42918.1002	-	Kit, Slcn Tube .125 ID x 10 FT
	42918.1004	-	Kit, Slcn Tube .125 ID x 250 FT
17.	51571.1000	-	Tubing, Sil Pt .094 ID x .219 OD x 12 LG
	51571.1001	-	Tubing, Sil Pt .094 ID x .219 OD x 36 LG
	51571.1002	-	Tubing, Sil Pt .094 ID x .219 OD x 120 LG



WATER TANK COMPONENTS

SI 312



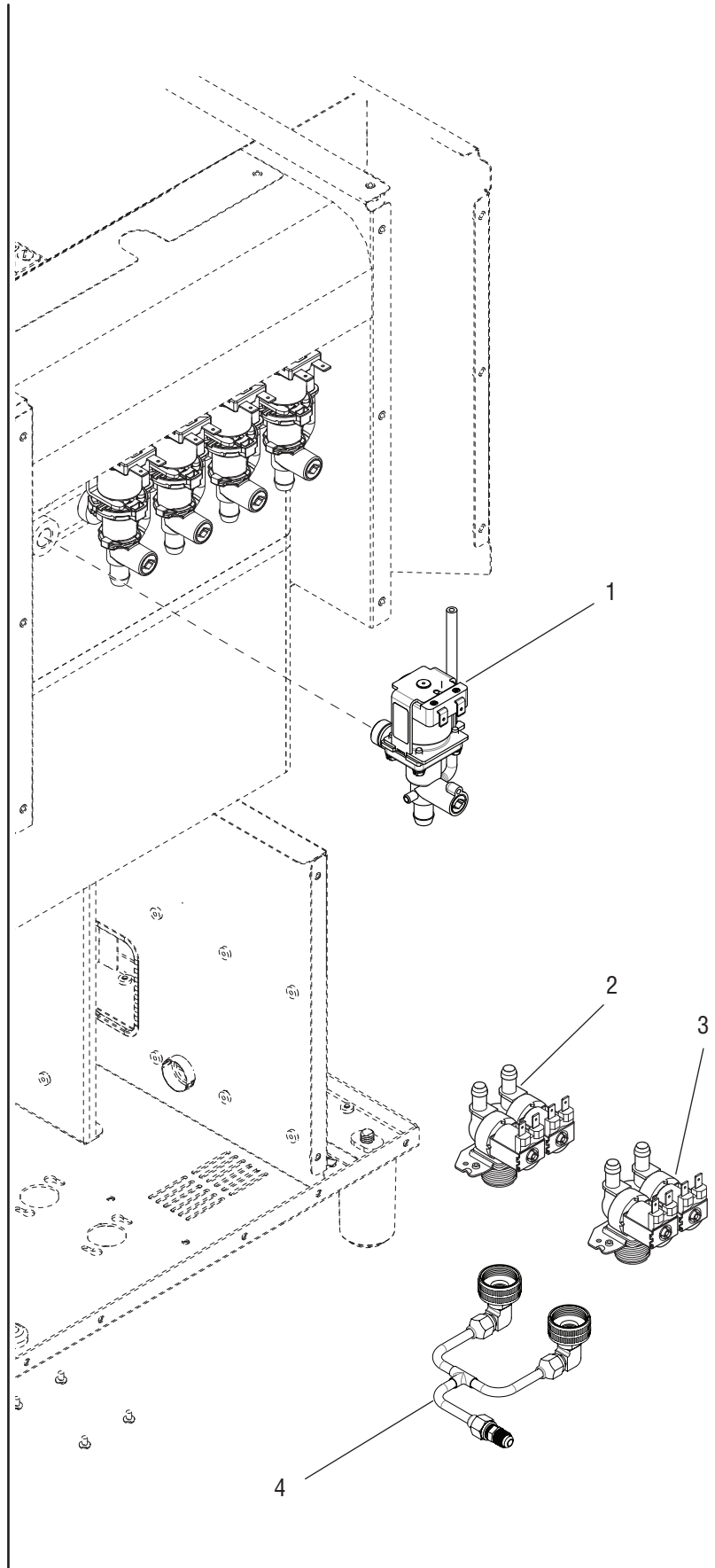
WATER TANK COMPONENTS
DESCRIPTION

ITEM	PART NO.	QTY.	DESCRIPTION
-	52413.1010	1	Kit, Complete Tank (120V Only)
	52413.1012	1	Kit, Complete Tank (120/240V Only)
1	39085.1002	1	Kit, Temperature Probe
2	52717.0000	1	Baffle Weldment, Water Tank
3	52409.0000	1	Gasket, Narrow Tank
4	44235.0000	1	Plug, Barbed 0.360 w/Pull Tab
5	38969.0003	1	Fitting, 90° Tank Vent Silicon
6	29329.1000	1	Kit, Thermostat Limit-Auto Reset (120V Only)
	23717.0001	1	Thermostat, Double Limit-Manual Reset (120/240V Only)
7	07412.1003	1	Kit, Liquid Level Probe
8			
9	55744.0000	1	Fitting, Elbow .375 BARB SST F-9005
10	52411.0000	1	Tank Lid Weldment, Narrow Tank (120V Only)
	52411.0001	1	Tank Lid Weldment, Narrow Tank (120/240V Only)
11	03070.1002	1	Kit, Heater 1680W 120V
	03070.1003	1	Kit, Heater 1250W 120V
	03070.1005	2	Kit, Heater 1650W 240V
	00942.0000	2-4	Nut, Hex Brass
	00943.0000	2-4	Gasket, Tank Heater
12	53036.0000	1	Insulation, Water Tank
13	39285.0020	5	Grommet, Valve MTG DSVP14
14	52412.0000	1	Tank
15	54320.0000	1	Insulator, Tank (120V Only)
	54320.0001	1	Insulator, Tank (120/240V Only)



WATER VALVE COMPONENTS

SI 312



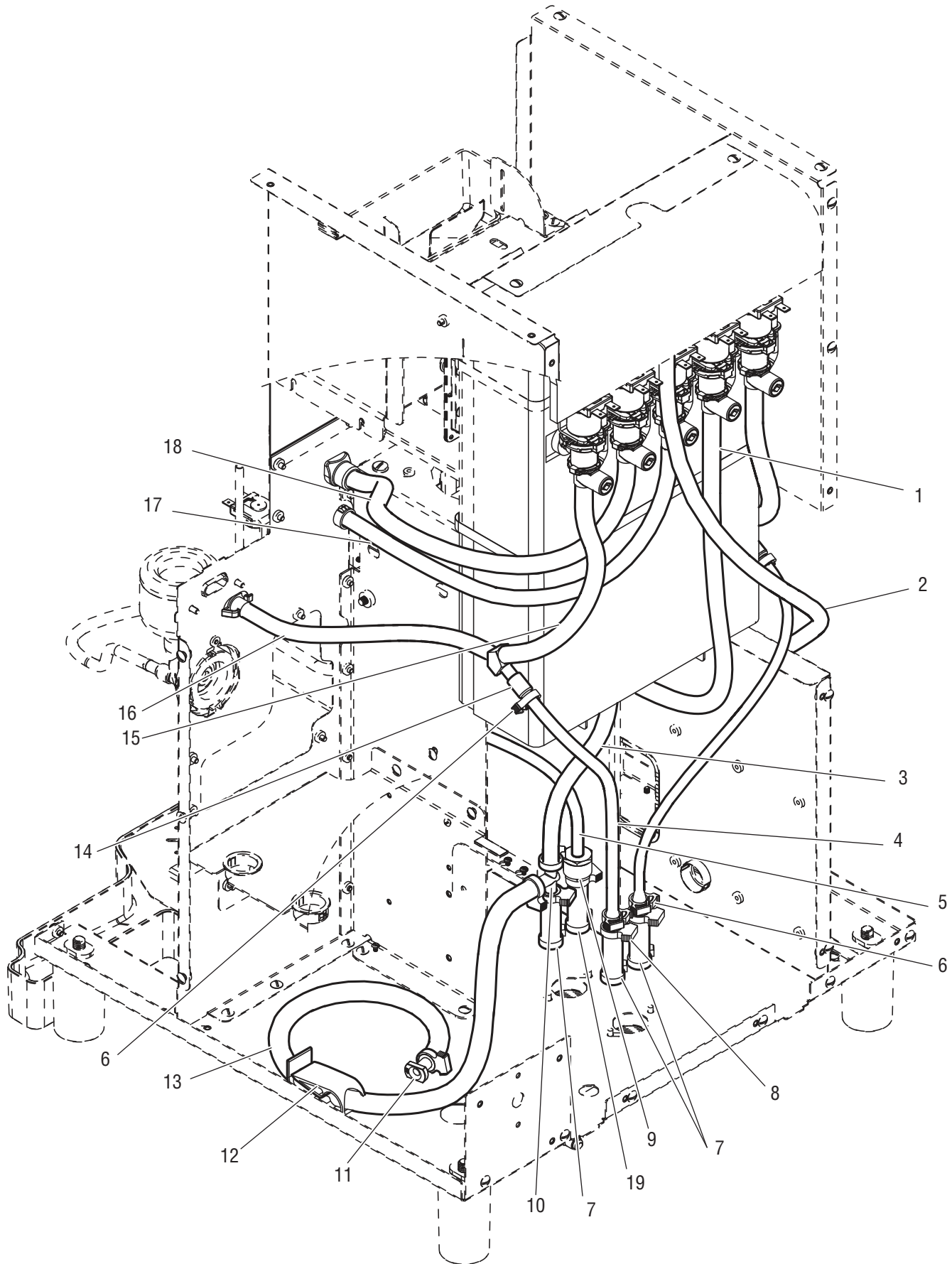
WATER VALVE COMPONENTS

ITEM	PART NO.	QTY.	DESCRIPTION
1	39285.1006 45965.1000	1 5	Kit, Dispense Valve Replacement (5 Valves) Kit, Repair Kit
2	41579.0003	1	Valve Assembly w/.75 GPM Flowcontrol
3	41579.0004	1	Valve Assembly w/.175 GPM Flowcontrol
4	41969.1000	1	Water Inlet Assembly



WATER HOSE COMPONENTS

SI 312

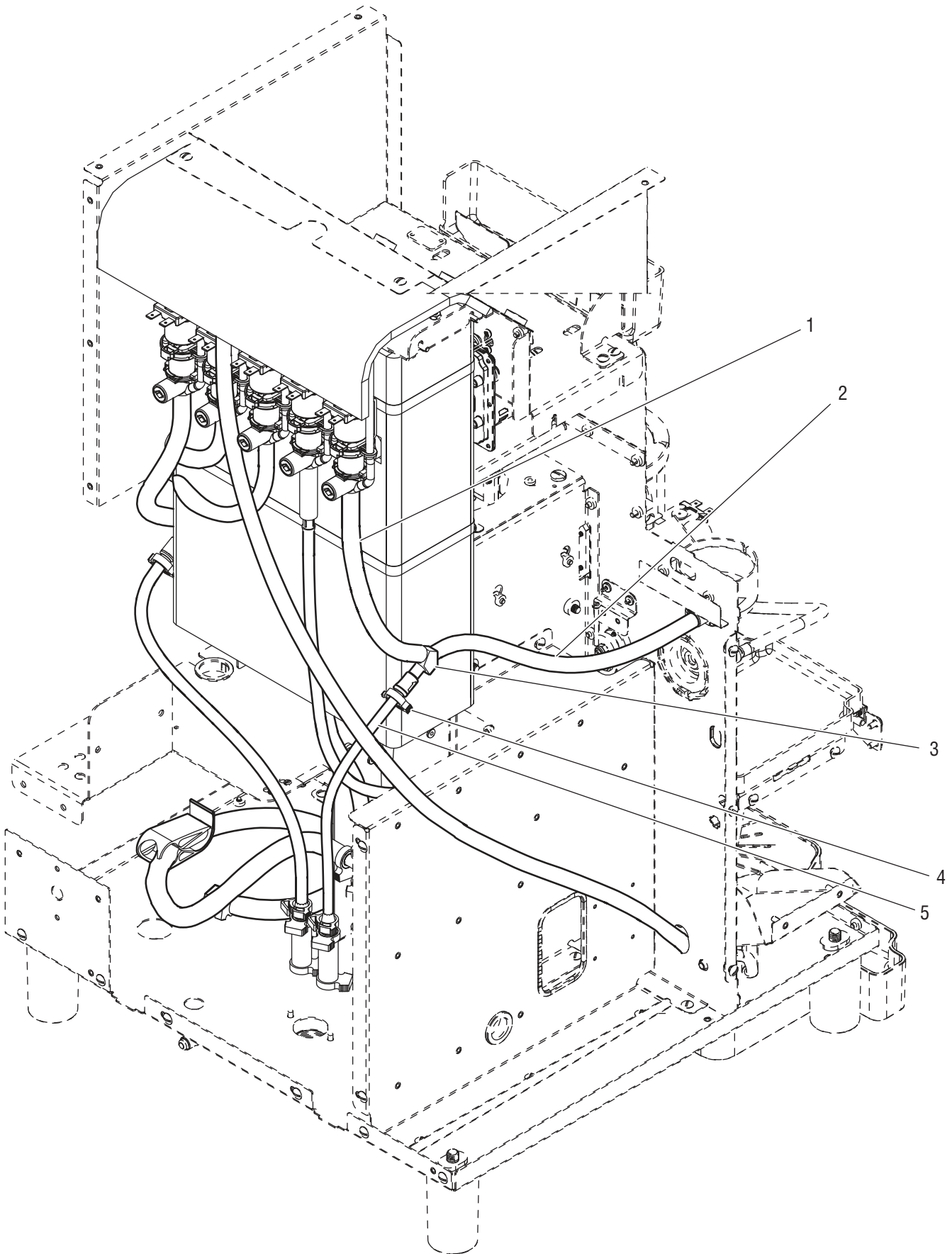


WATER HOSE COMPONENTS

ITEM	PART NO.	QTY.	DESCRIPTION
1		1	Tube, Silicone .313" ID x 19.0" (order item 20)
2		1	Tube, Silicone .375" ID x 29" (order item 22)
3		1	Tube, Silicone .375" ID x 10.5" (order item 22)
4		1	Tube, Silicone .188 ID x 12.0" (order item 21)
5		1	Tube, Silicone 6mm ID x 18.7" (order item 23)
6	12422.0011	4	Clamp, Hose Snap Type 40/45 ID
7		3	Tube, Silicone .375" ID x 2.0" (order item 24)
8	12422.0001	8	Clamp, Hose Snap Type 59/66ID
9	41595.0011	1	Flow Assy, TNPLT 50 GPM 38-25
10	38948.0001	1	Fitting, Tee .375" Barb
11	34392.0000	1	Plug, Hose .375"
12	11630.0001	1	Clamp, Tubing Shut Off .75" OD
13		1	Tube, Silicone .375" ID (order item 21)
14	52468.1000	1	Manifold Assembly with Check Valve
15		1	Tube, Silicone .313" ID x 12.0" (order item 20)
16		1	Tube, Silicone .313" ID x 5.0" (order item 20)
17		1	Tube, Silicone .313" ID x 12.0" (order item 20)
18		1	Tube, Silicone .313" ID x 14.0" (order item 20)
19		1	Tube, Silicone Braided .375" ID (order item 25)

The following items are not illustrated

20	28526.1000	-	Tube, Silicone .313 ID - 12 inches (Use as required)
	28526.1001	-	Tube, Silicone .313 ID - 36 inches (Use as required)
	28526.1002	-	Tube, Silicone .313 ID - 60 inches (Use as required)
21	42916.1000	-	Tube, Silicone .188" ID - 12 inches (Use as required)
	42916.1001	-	Tube, Silicone .188" ID - 36 inches (Use as required)
	42916.1002	-	Tube, Silicone .188" ID - 120 inches (Use as required)
22	41193.1002	-	Tube, Silicone .375" ID - 12 inches (Use as required)
	41193.1001	-	Tube, Silicone .375" ID - 36 inches (Use as required)
	41193.1000	-	Tube, Silicone .375" ID - 120 inches (Use as required)
23	50732.1000	-	Tube, Silicone 6mm ID - 12 inches (Use as required)
	50732.1001	-	Tube, Silicone 6mm ID - 36 inches (Use as required)
	50732.1002	-	Tube, Silicone 6mm ID - 120 inches (Use as required)
24	20976.1000	-	Tube, Silicone .375" ID - 12 inches (Use as required)
	20976.1001	-	Tube, Silicone .375" ID - 36 inches (Use as required)
	20976.1002	-	Tube, Silicone .375" ID - 120 inches (Use as required)
25	37720.1000	-	Tube, Silicone .375" ID - 12 inches (Use as required)
	37720.1001	-	Tube, Silicone .375" ID - 36 inches (Use as required)
	37720.1002	-	Tube, Silicone .375" ID - 120 inches (Use as required)

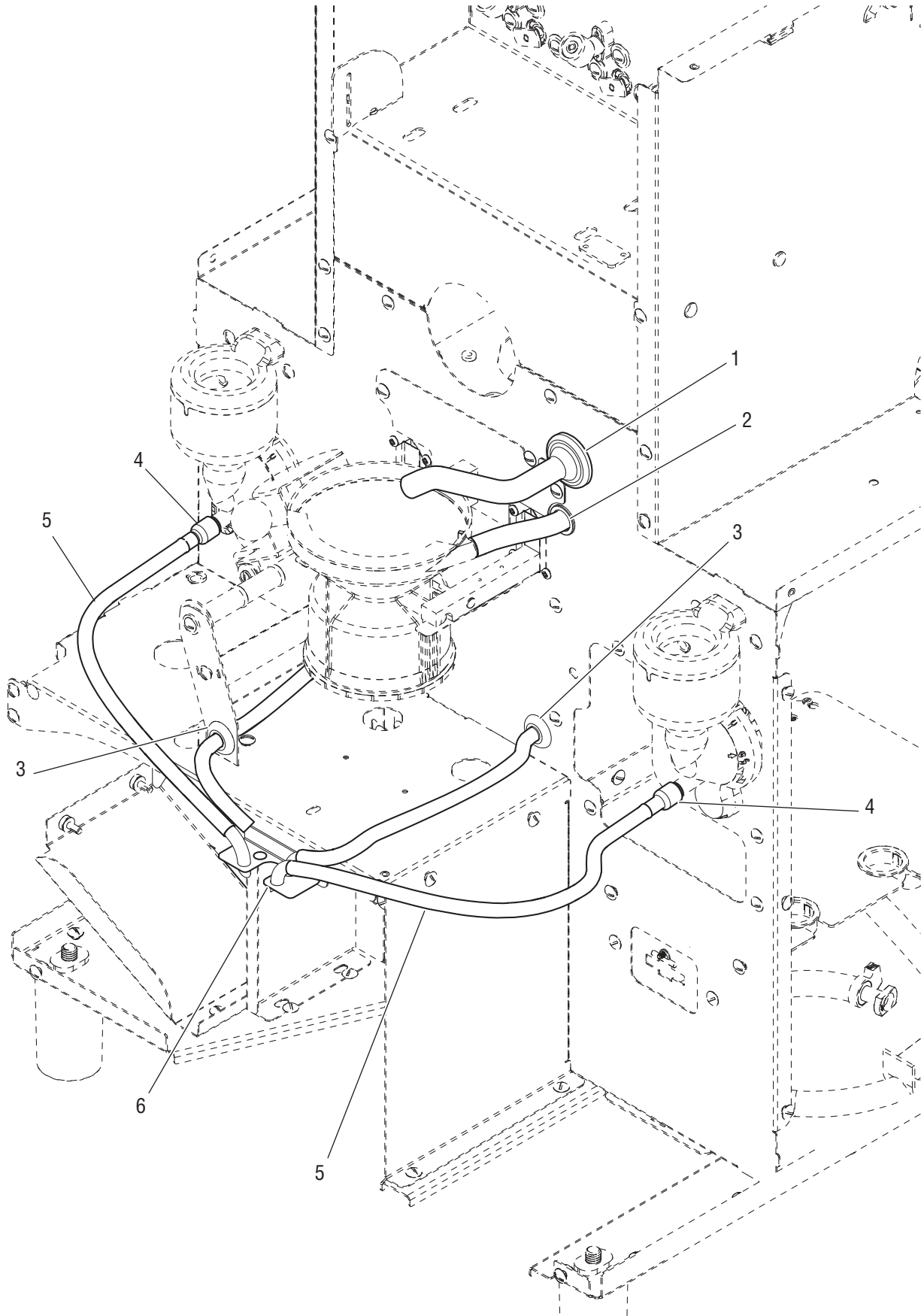


WATER HOSE COMPONENTS - continued

ITEM	PART NO.	QTY.	DESCRIPTION
1		1	Tube, Silicone .313" ID x 12" (order item 6)
2		1	Tube, Silicone .313" ID x 5.0" (order item 6)
3	52468.1000	1	Manifold Assembly with Check Valve
4	12422.0005	1	Clamp, Hose Snap Type 40/45 ID
5		1	Tube, Silicone .188" ID x 9.5" (order item 7)

The following items are not illustrated

6	28526.1000	-	Tube, Silicone .313 ID - 12 inches (Use as required)
	28526.1001	-	Tube, Silicone .313 ID - 36 inches (Use as required)
	28526.1002	-	Tube, Silicone .313 ID - 60 inches (Use as required)
7	42916.1000	-	Tube, Silicone .188" ID - 12 inches (Use as required)
	42916.1001	-	Tube, Silicone .188" ID - 36 inches (Use as required)
	42916.1002	-	Tube, Silicone .188" ID - 60 inches (Use as required)



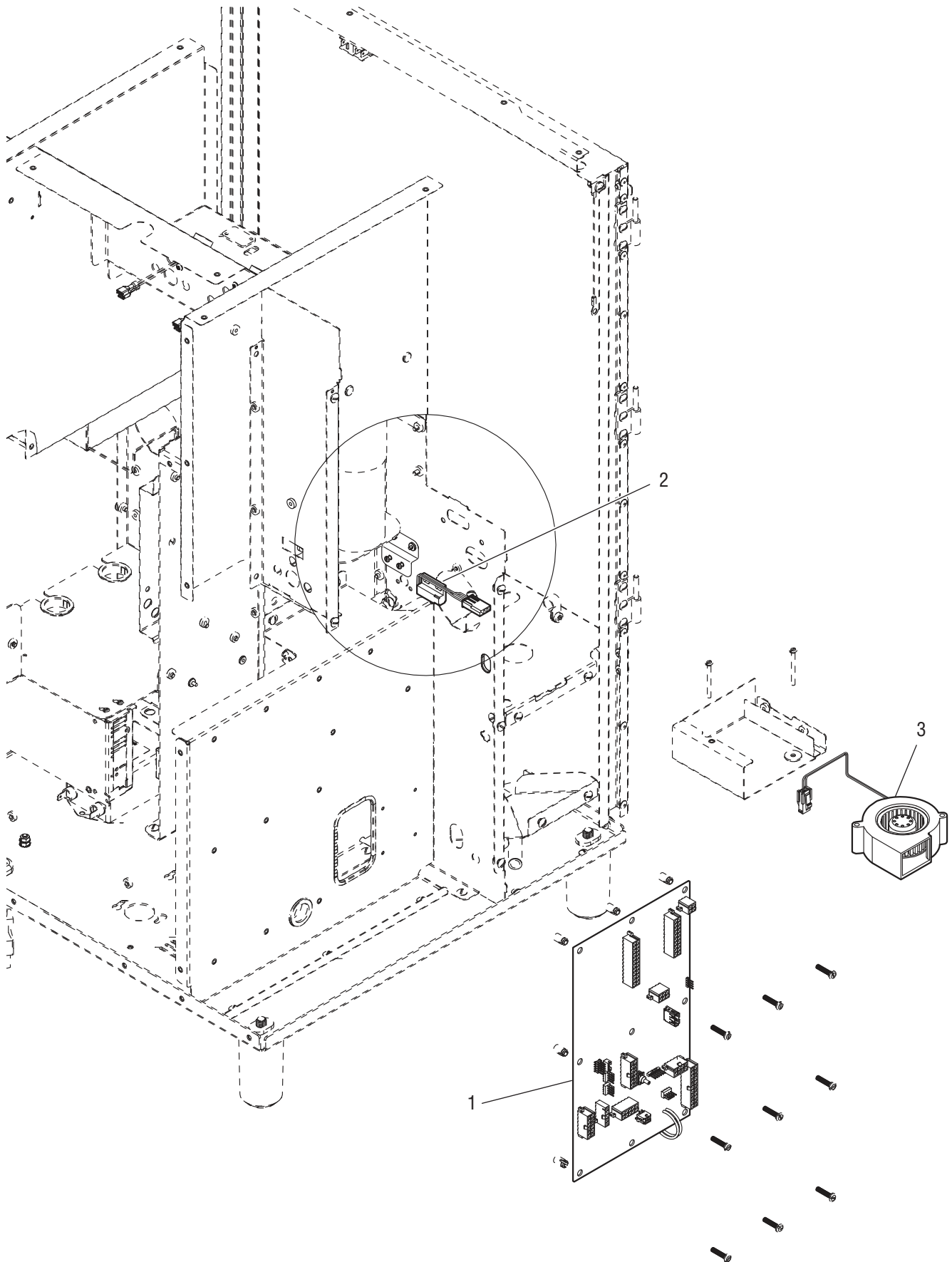
WATER HOSE COMPONENTS - continued

ITEM	PART NO.	QTY.	DESCRIPTION
1	53129.0000	1	Tube, Hot Water Dispense
2	07070.0000	1	Bushing, Snap .687 Dia.
3	02536.0000	3	Grommet, Silicone .375 Dia.
4	53319.0000	2	Fitting, 6mm Hose Barb
5		2	Tube, Silicone 6mm ID x 22" (order item 7)
6	52496.0001	1	Bracket, Tube Holder
The following items are not illustrated			
7	50732.1001	-	Tube, Silicone 6mm ID x 36.0" (Use as required)



ELECTRICAL COMPONENTS - LEFT SIDE

SI 312



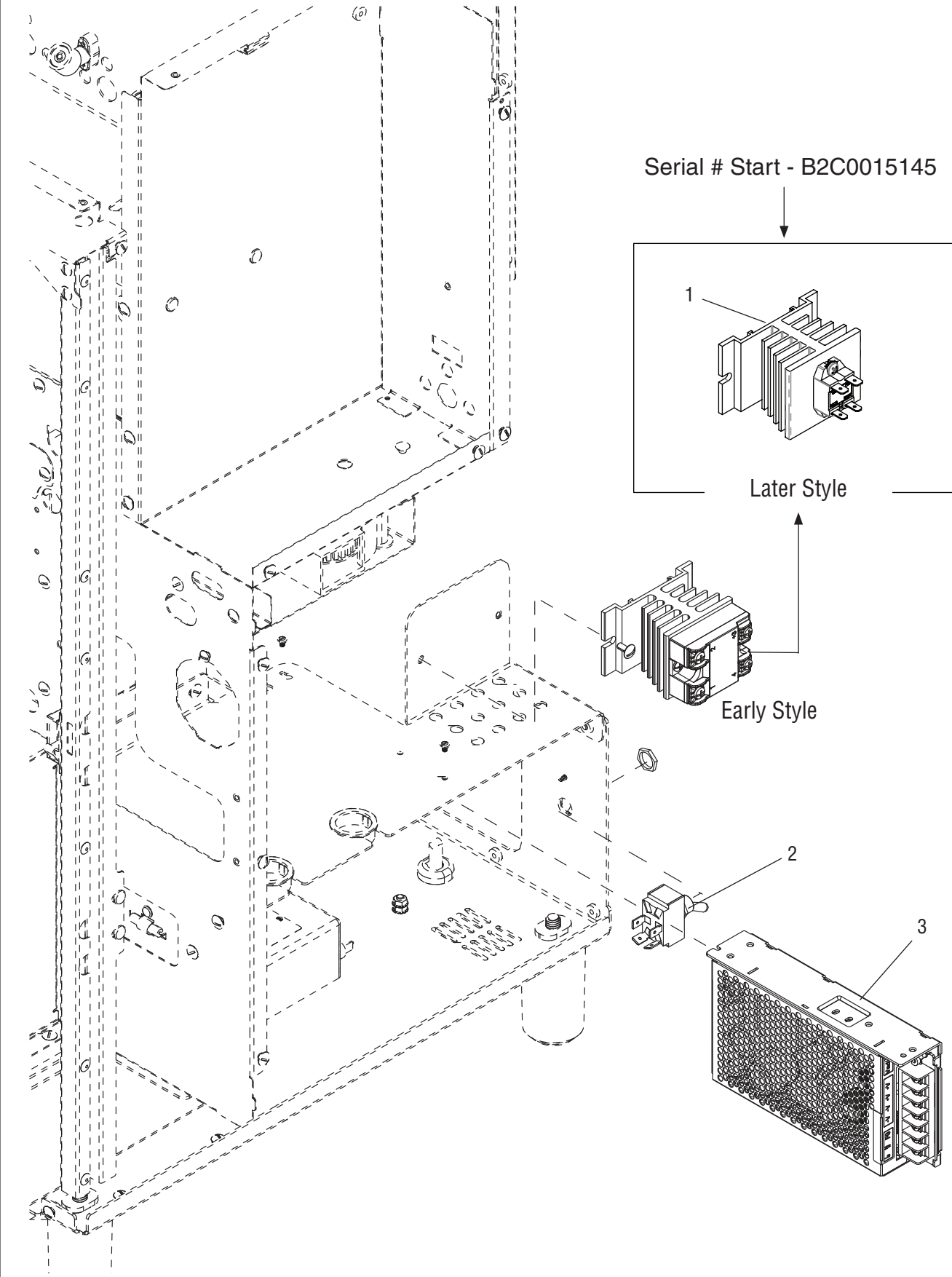
ELECTRICAL COMPONENTS - LEFT SIDE

ITEM	PART NO.	QTY.	DESCRIPTION
1	50632.1002	1	CBA, CTRL - Sure Immersion 312
2	51321.1030	1	Kit, RPM Sensor (Paper out Sensor)
3	50569.0000	1	Fan Assembly w/Terminals



ELECTRICAL COMPONENTS - RIGHT SIDE

SI 312



Serial # Start - B2C0015145

1

Later Style

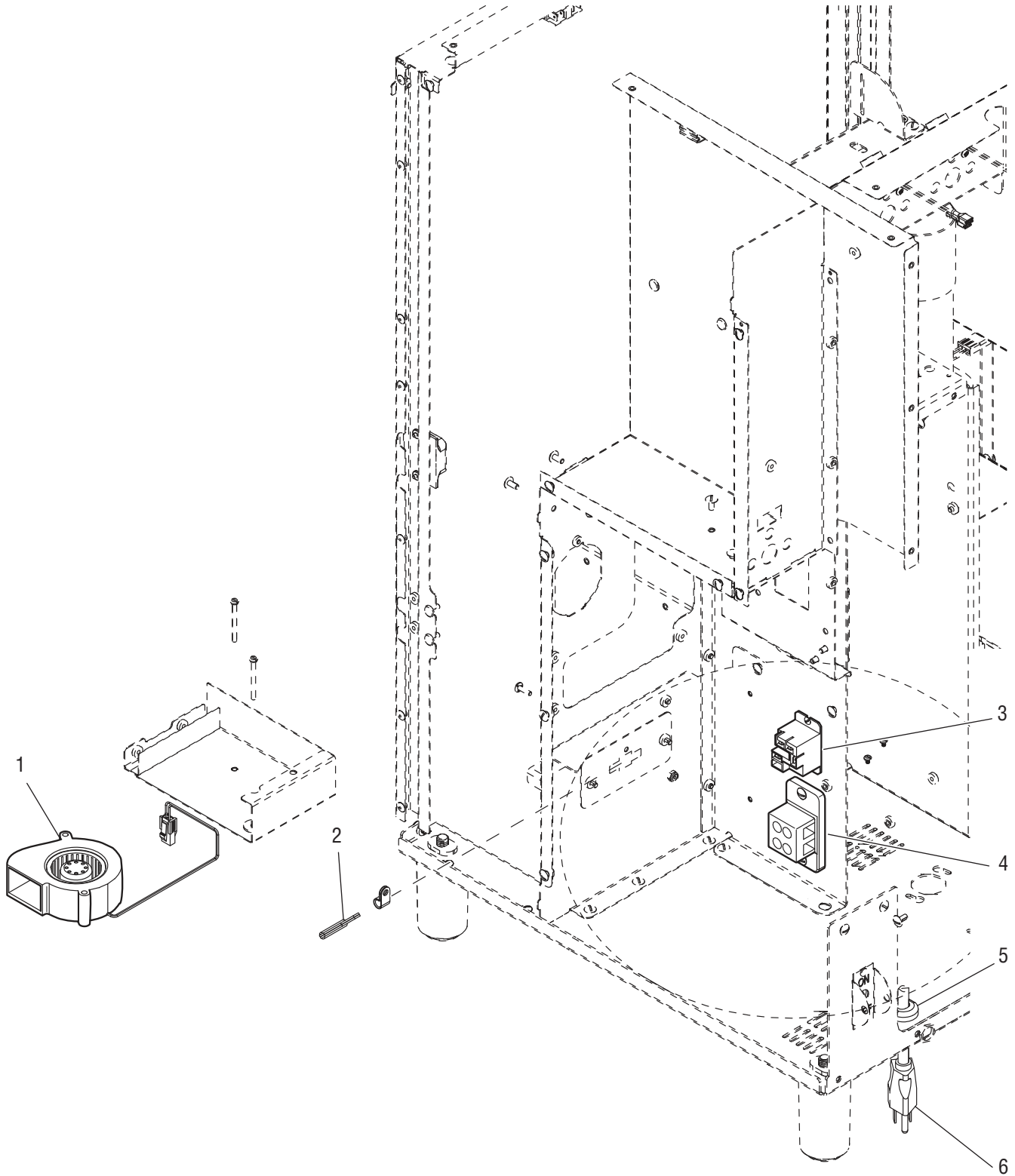
Early Style

2

3

ELECTRICAL COMPONENTS - RIGHT SIDE

ITEM	PART NO.	QTY.	DESCRIPTION
1	49266.0000	1	Relay, Solid State w/ Ring Terminals (Early Style)
	58195.0000	1	Relay, Solid State w/ Male Spade Terminals (Later Style, Serial Number Start: B2C0015145)
2	40763.0001	1	Switch, Toggle DPST
3	33363.0016	1	Power Supply, 24VDC 6.5A 150W 1 Phase



ELECTRICAL COMPONENTS - TRANSFORMER AND RELAYS

ITEM	PART NO.	QTY.	DESCRIPTION
1	50569.0000	1	Fan Assembly w/Terminals
2	53459.1000	1	Reed Switch Assembly
3	32104.0001	1	Relay, 24V Coil
4	01106.0000	1	Terminal Block, 2-Pole Wht/Blk
5	01686.0000	1	Bushing, Strain (120V Only)
	28683.0000	1	Bushing, Strain (120/240V Only)
6	20630.0008	1	Cord Assembly, PWR 16/3-15P (120V Only)
	28680.0003	1	Cord Assembly, PWR 16/3-15P (120/240V Only)
The following items are not illustrated			
7	56510.0000	1	Lead, Tank Heater, Red
	56510.0001	1	Lead, Tank Heater, BLU/BLK
8	52743.0000	1	Wiring Harness, 120V Power Sure Imm 312 (Early)
	52743.0002	1	Wiring Harness, 120V Power Sure Imm 312 (Later, Serial Number Start: B2C0015145)
	52743.0001	1	Wiring Harness, 208/240 Power SI 312
	52743.0003	1	Wiring Harness, 208/240V Power SI 312 (Later, Serial Number Start: B2C0015145)
9	37842.0000	1	Wiring Harness, Term Blk to EMI Filter
	37842.0007	1	Wiring Harness, Term Blk to Heaters (Early)
	37842.0011	1	Wiring Harness, Term Blk to Heater (Later, Serial Number Start: B2C0015145)
10	54421.0000	1	Schematic Wiring Diagram (120V)
	54421.0001	1	Schematic Wiring Diagram (120/240V)
11	57401.0000	3	Photosensor & Housing Assy (After Serial Number: B2C0009605)
12	57402.0000	1	Wiring Harness, Hopper Sensor (After Serial Number: B2C0009605)
13	51631.0001	1	Wiring Harness, Sensor
14	52744.0001	1	Wiring Harness, Main SI 312 (Early)
	52744.0002	1	Wiring Harness, Main SI 312 (Later, Serial Number Start: B2C0015145)



Page intentionally left blank.

Kits

12-Month Preventive Maintenance: 54079.0002 (not illustrated)

1	1	Service kit, Dispense Valve w/Flow control
2	1	Grommet, Dispense Valve
3	1	Filter, in-line 250 Mesh
4	2	O-ring, Inlet Adapter
5	1	Gasket Assy, Vacuum Box Filter
6	1	Connector, w/Rib Brew Box Tube
7	1	Vacuum Pump Assembly
8	2	Gasket, Silicone Blender Base
9	2	O-ring 1.48 ID Blender Base
10	1	Kit, 24V 3-way 200PSI
11	1	Grommet, Silicone w/Flange

Packaging Kit: 52990.1000 (not illustrated)

1	50766.0001	1	Paper Roll
2	26367.0000	1	Dispense Nozzle Cleaning Brush
3	42933.0001	1	Cleaning Tablets, 1 Jar (30 Tablets)
4	53460.1000	1	Grounds Funnel
5	53460.1001	1	Grounds Bin
6	53493.1000	1	Kit, Brush with Hangar
	53493.0000	1	Cleaning Brush

BUNNLINK: 48694.1004 Kit, BUNNLINK LTE SURE IMMERSION (not illustrated)

1	1	CBA, NODE BUNNLINK LTE
2	1	Antenna
3	1	Wiring Harness

BUNNLINK: 48694.1006 Kit, BUNNLINK LTE SURE IMMERSION (CANADA ONLY) (Not illustrated)

1	1	CBA, NODE BUNNLINK LTE INT'L
	1	Antenna
	1	Wiring Harness

E-Pay Kit: 53634.1000 (not illustrated)

1	53752.0000	1	Card Reader System
2	53812.0000	1	Test Card
3	53751.0000	1	E-Pay Lower Door Assy w/ADA Switch

Usb Software Kit: 54165.1003

Paper Takeup Roller Kit: 52677.0000 (not illustrated)

1	50784.0000	1	Paper Guide
2	52637.0000	1	Paper Drive Bushing (Back)
3	52639.0000	1	Paper Drive Shaft
4	52634.0000	1	Paper Drive Handle
5	52635.0000	1	Paper Drive Bushing (Front)
6	25977.0000	1	Roller Switch

Assembled inlet water manifold: 41969.1000 (not illustrated)

1	41969.0000	1	Water Inlet Assembly
2	00436.0001	1	Flare Union Fitting
3	37297.0006	2	Hose Fitting Elbow