



## ILLUSTRATED PARTS CATALOG

**Bunn-O-Matic Corporation**  
Post Office Box 3227, Springfield, Illinois 62708-3227  
Phone (217) 529-6601 | Fax (217) 529-6644

## BUNN-O-MATIC COMMERCIAL PRODUCT WARRANTY

Bunn-O-Matic Corp. ("BUNN") warrants equipment manufactured by it as follows:

- 1) Airpots, thermal carafes, decanters, GPR servers, iced tea/coffee dispensers, MCR/MCP/MCA single cup brewers, thermal servers and ThermoFresh® servers (mechanical and digital) 1 year parts and 1 year labor.
- 2) All other equipment - 2 years parts and 1 year labor plus added warranties as specified below:
  - a) Electronic circuit and/or control boards - parts and labor for 3 years.
  - b) Compressors on refrigeration equipment - 5 years parts and 1 year labor.
  - c) Grinding burrs on coffee grinding equipment to grind coffee to meet original factory screen sieve analysis - parts and labor for 4 years or 40,000 pounds of coffee, whichever comes first.

These warranty periods run from the date of installation BUNN warrants that the equipment manufactured by it will be commercially free of defects in material and workmanship existing at the time of manufacture and appearing within the applicable warranty period. This warranty does not apply to any equipment, component or part that was not manufactured by BUNN or that, in BUNN's judgment, has been affected by misuse, neglect, alteration, improper installation or operation, improper maintenance or repair, non periodic cleaning and descaling, equipment failures related to poor water quality, damage or casualty. In addition, the warranty does not apply to replacement of items subject to normal use including but not limited to user replaceable parts such as seals and gaskets. This warranty is conditioned on the Buyer 1) giving BUNN prompt notice of any claim to be made under this warranty by telephone at (217) 529-6601 or by writing to Post Office Box 3227, Springfield, Illinois 62708-3227; 2) if requested by BUNN, shipping the defective equipment prepaid to an authorized BUNN service location; and 3) receiving prior authorization from BUNN that the defective equipment is under warranty.

**THE FOREGOING WARRANTY IS EXCLUSIVE AND IS IN LIEU OF ANY OTHER WARRANTY, WRITTEN OR ORAL, EXPRESS OR IMPLIED, INCLUDING, BUT NOT LIMITED TO, ANY IMPLIED WARRANTY OF EITHER MERCHANTABILITY OR FITNESS FOR A PARTICULAR PURPOSE.** The agents, dealers or employees of BUNN are not authorized to make modifications to this warranty or to make additional warranties that are binding on BUNN. Accordingly, statements by such individuals, whether oral or written, do not constitute warranties and should not be relied upon.

If BUNN determines in its sole discretion that the equipment does not conform to the warranty, BUNN, at its exclusive option while the equipment is under warranty, shall either 1) provide at no charge replacement parts and/or labor (during the applicable parts and labor warranty periods specified above) to repair the defective components, provided that this repair is done by a BUNN Authorized Service Representative; or 2) shall replace the equipment or refund the purchase price for the equipment.

**THE BUYER'S REMEDY AGAINST BUNN FOR THE BREACH OF ANY OBLIGATION ARISING OUT OF THE SALE OF THIS EQUIPMENT, WHETHER DERIVED FROM WARRANTY OR OTHERWISE, SHALL BE LIMITED, AT BUNN'S SOLE OPTION AS SPECIFIED HEREIN, TO REPAIR, REPLACEMENT OR REFUND.**

In no event shall BUNN be liable for any other damage or loss, including, but not limited to, lost profits, lost sales, loss of use of equipment, claims of Buyer's customers, cost of capital, cost of down time, cost of substitute equipment, facilities or services, or any other special, incidental or consequential damages.

392, A Partner You Can Count On, Air Infusion, AutoPOD, AXIOM, BrewLOGIC, BrewMETER, Brew Better Not Bitter, BrewWISE, BrewWIZARD, BUNN Espresso, BUNN Family Gourmet, BUNN Gourmet, BUNN Pour-O-Matic, BUNN, BUNN with the stylized red line, BUNNlink, Bunn-O-Matic, Bunn-O-Matic, BUNNserve, BUNNSERVE with the stylized wrench design, Cool Froth, DBC, Dr. Brew stylized Dr. design, Dual, Easy Pour, EasyClear, EasyGard, FlavorGard, Gourmet Ice, Gourmet Juice, High Intensity, iMIX, Infusion Series, Intellisteam, My Café, Phase Brew, PowerLogic, Quality Beverage Equipment Worldwide, Respect Earth, Respect Earth with the stylized leaf and coffee cherry design, Safety-Fresh, savemycoffee.com, Scale-Pro, Silver Series, Single, Smart Funnel, Smart Hopper, SmartWAVE, Soft Heat, SplashGard, The Mark of Quality in Beverage Equipment Worldwide, ThermoFresh, Titan, trifacta, TRIFECTA (stylized logo), Velocity Brew, Air Brew, Beverage Bar Creator, Beverage Profit Calculator, Brew better, not bitter., Build-A-Drink, BUNNsource, Coffee At Its Best, Cyclonic Heating System, Daypart, Digital Brewer Control, Element, Milk Texturing Fusion, Nothing Brews Like a BUNN, Picture Prompted Cleaning, Pouring Profits, Signature Series, Sure Tamp, Tea At Its Best, The Horizontal Red Line, Ultra are either trademarks or registered trademarks of Bunn-O-Matic Corporation. The commercial trifacta® brewer housing configuration is a trademark of Bunn-O-Matic Corporation.

# TABLE OF CONTENTS

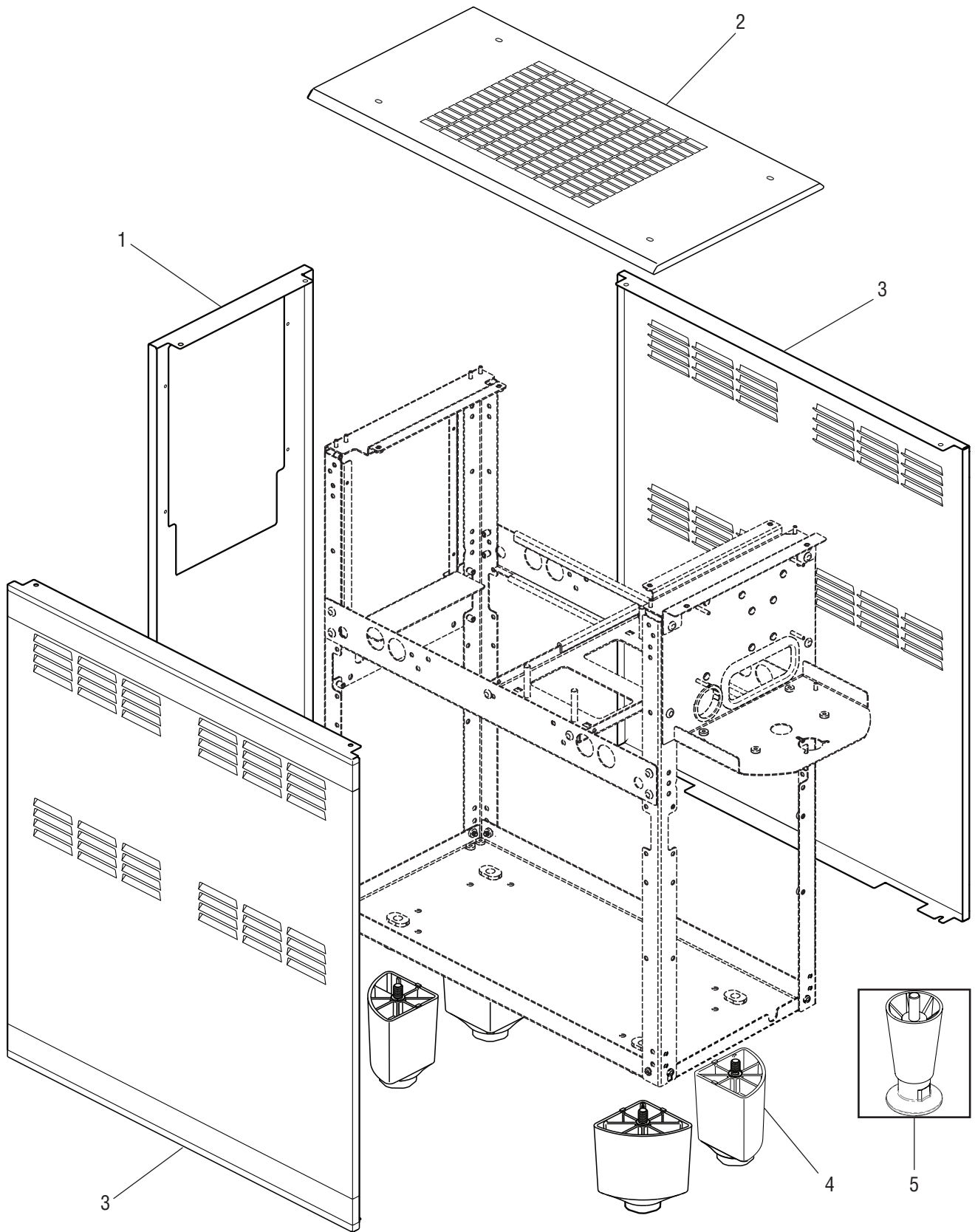
EXTERIOR COMPONENTS & DECALS.....	4
DOOR ASSEMBLY COMPONENTS .....	10
INTERIOR DECALS .....	12
REFRIGERATION COMPONENTS .....	14
WATER TANK PUMP COMPONENTS.....	22
CIRCULATING PUMP COMPONENTS.....	24
WATER TANK ASSEMBLY COMPONENTS.....	26
DISPENSE VALVE ASSEMBLY COMPONENTS .....	28
CO2 ASSEMBLY COMPONENTS .....	30
ELECTRICAL COMPONENTS.....	32

**To search this document electronically, press “control” + “F” (on P.C.) or “command” + “F” on Mac, then type in description or part number, press “enter”.**



# EXTERIOR COMPONENTS

refresh

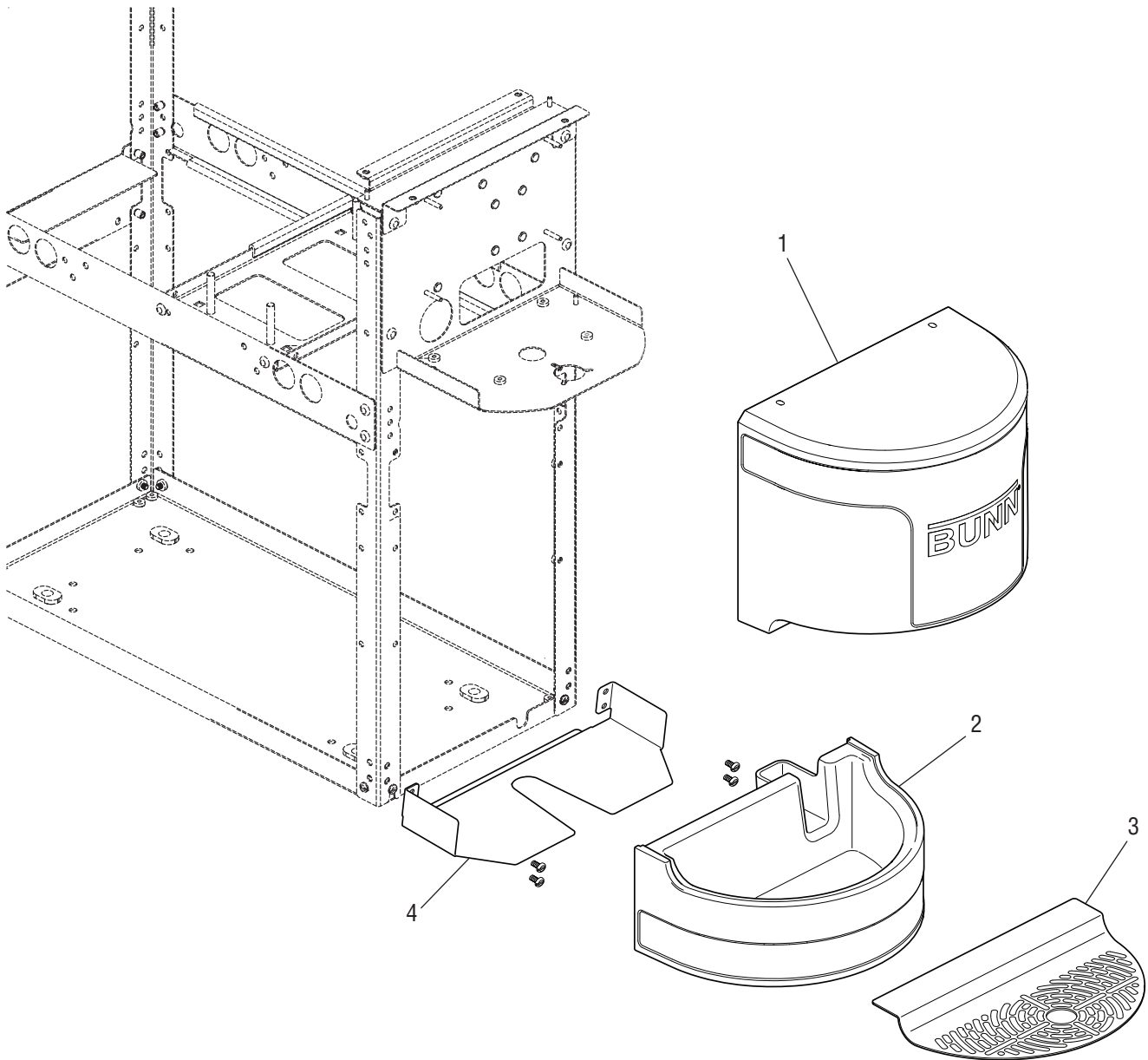


**EXTERIOR COMPONENTS  
DESCRIPTION**

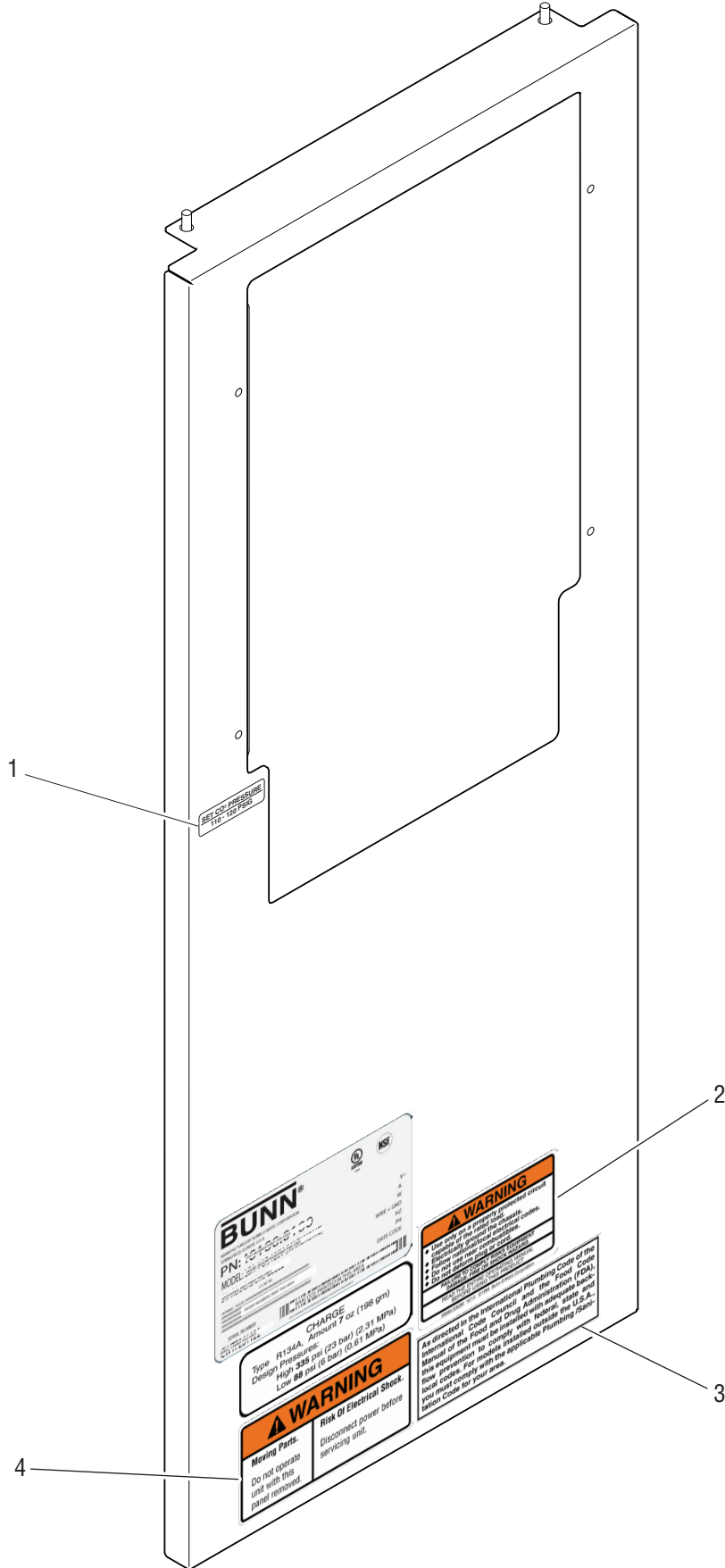
ITEM	PART NO.	QTY.	DESCRIPTION
1	48215.1002	1	Panel, Back Black
	48215.1003	1	Panel, Back White
2	50884.1001	1	Panel, Top Black
	50884.1002	1	Panel, Top White
3	56386.1000	2	Panel, Side Black (Later Style - Foam Strip Adhered)
	56386.1001	2	Panel, Side White (Later Style- Foam Strip Adhered)
4	50907.1000	4	Kit, Leg Assembly, QTRRD ( Use up until service inventory is depleted)
5	40041.0000	4	Leg Assembly, Nickel Plated (qty-1)

**The following items are not illustrated**

6	52820.0000	1	Kit, Primary CO2 Regulator
---	------------	---	----------------------------



EXTERIOR COMPONENTS			
ITEM	PART NO.	QTY.	DESCRIPTION
1	50881.1000	1	Cover, Black Assembly
	50881.1001	1	Cover, White Assembly
2	50883.1000	1	Drip Tray Assembly, Black
	50883.1001	1	Drip Tray Assembly, White
3	50875.0000	1	Cup Rest, SST
4	50889.0000	1	Bracket, Drip Tray

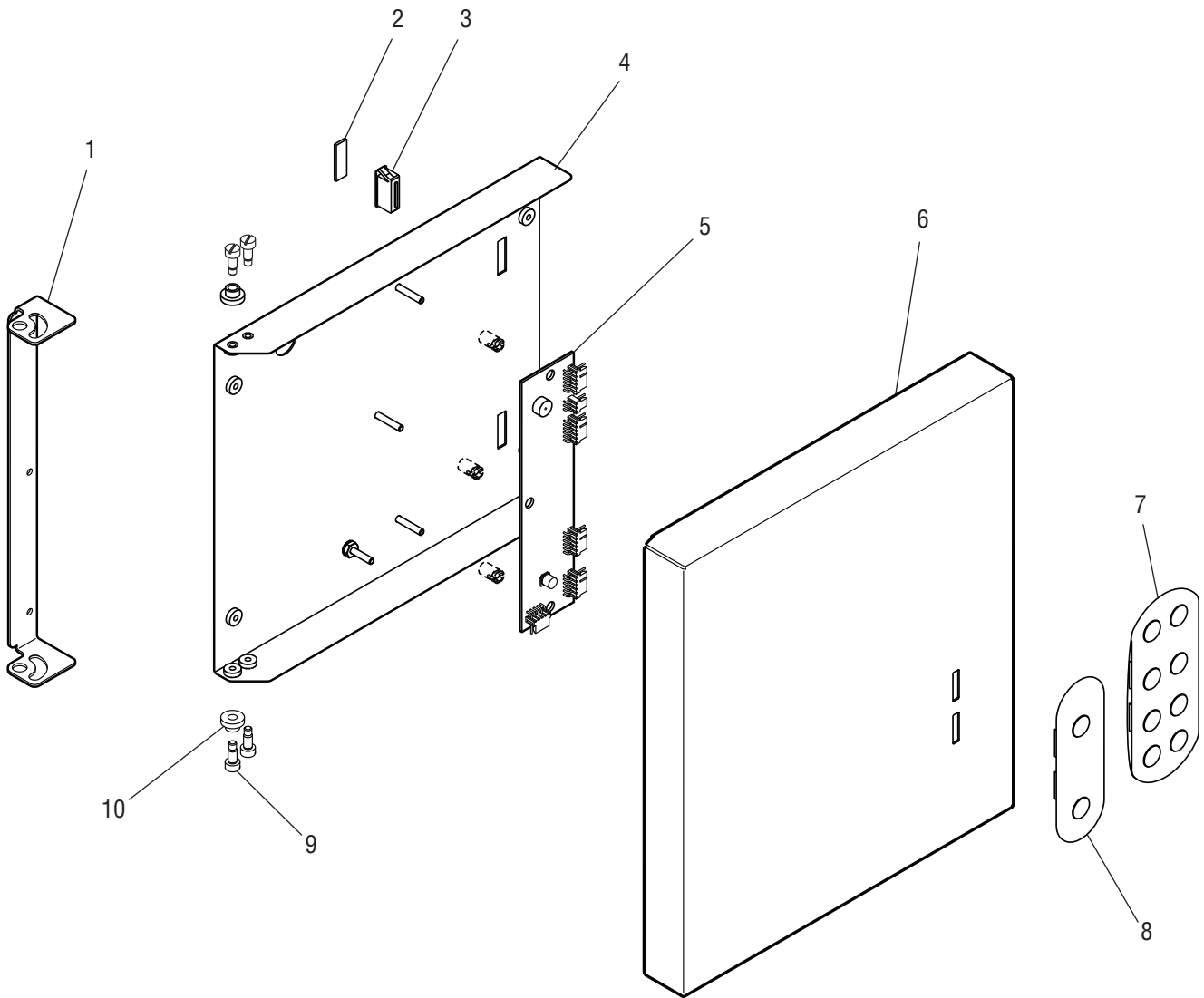


ITEM	PART NO.	QTY.	DESCRIPTION
1	41509.0005	1	Decal, Set CO2 Pressure
2	00986.0002	1	Decal, Warning Electrical
3	00656.0001	1	Decal, Comply To Plumbing Code
4	27442.0000	1	Decal, Moving Parts Warning



# DOOR ASSEMBLY COMPONENTS

refresh

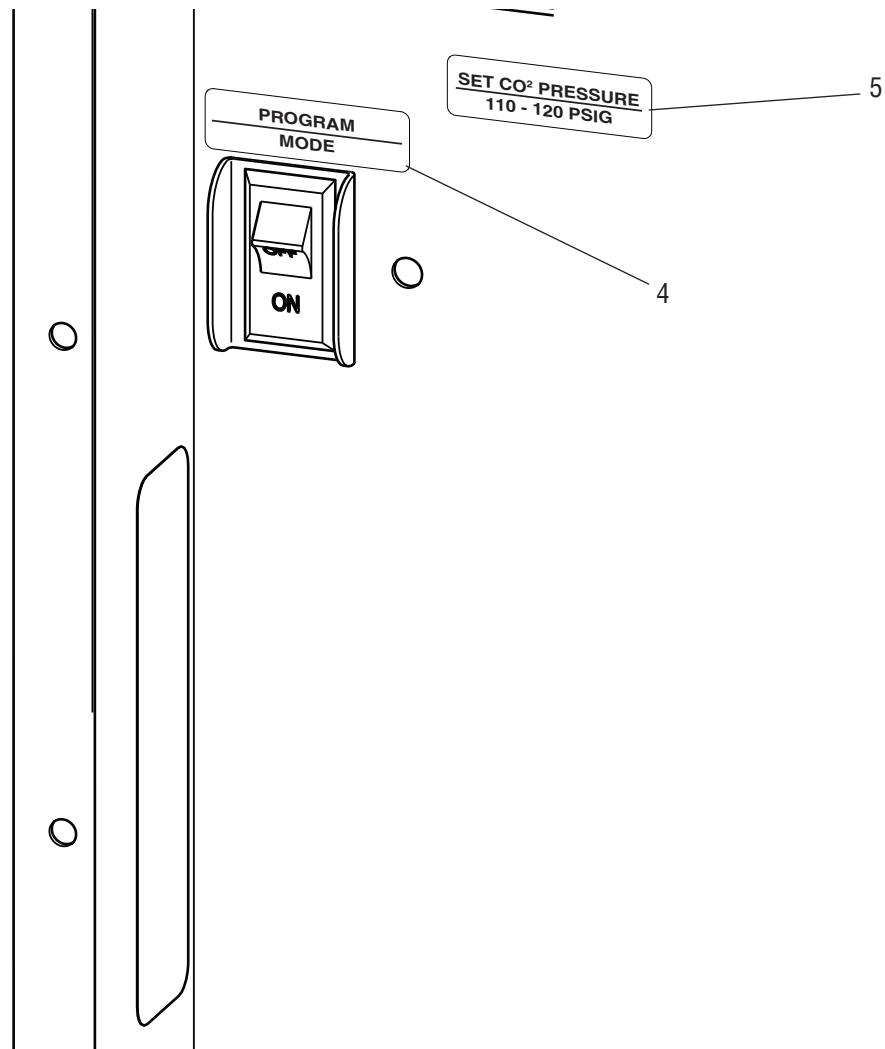
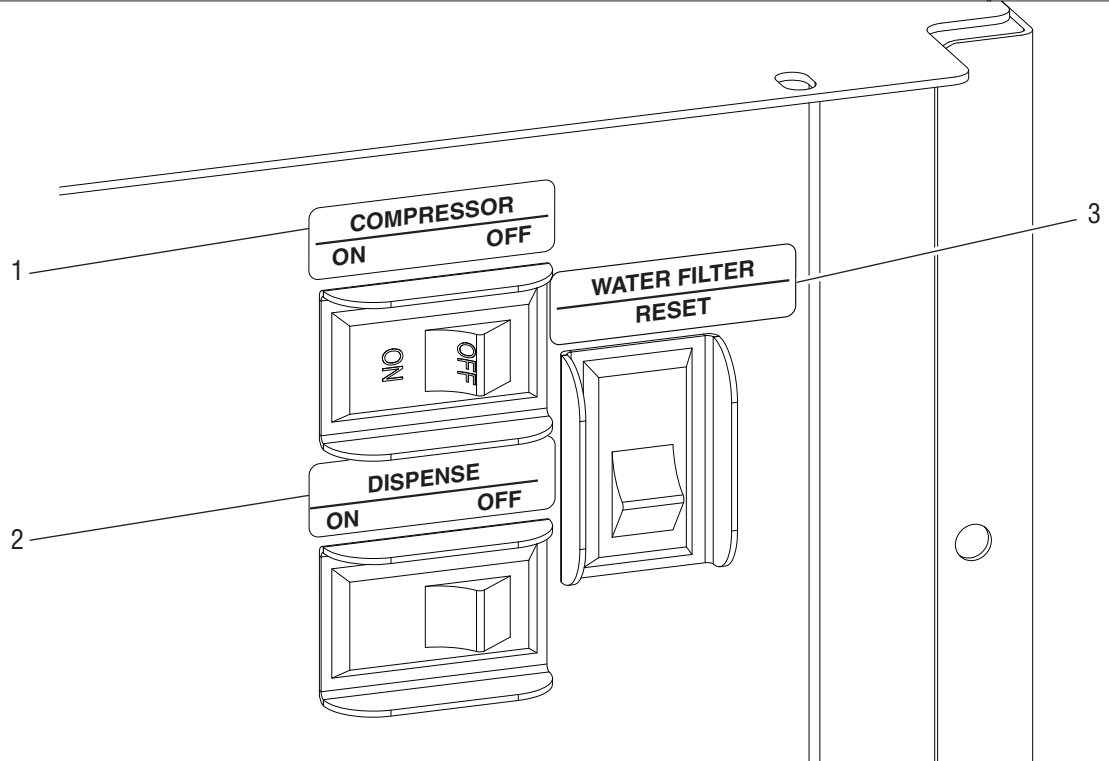


ITEM	PART NO.	QTY.	DESCRIPTION
1	47882.0001	1	Bracket, Hinge
2	35607.0000	4	Plate Assy, Steel - Self Adj.
3	21436.0000	2	Catch, Magnetic Sn In
4	48219.0001	1	Bracket Wldmt, Door
5	50477.1000	1	CBA, JDFS PC 4 SW
6	50915.1001	1	Door Weldment, Push Button Black
	50915.1004	1	Door Weldment, Push Button White
	50915.1003	1	Door Weldment, Portion Control Black
	50915.1005	1	Door Weldment, Portion Control White
7	50887.1000	1	Switch, Membrane Portion Control
8	50886.1000	1	Switch, Membrane Push Button
9	34741.0000	4	Screw, SHLDR SST, #8-32 x .3" OD x .313" LG
10	34362.0002	2	Bushing, .196" ID x .3" OD x .12" FLG

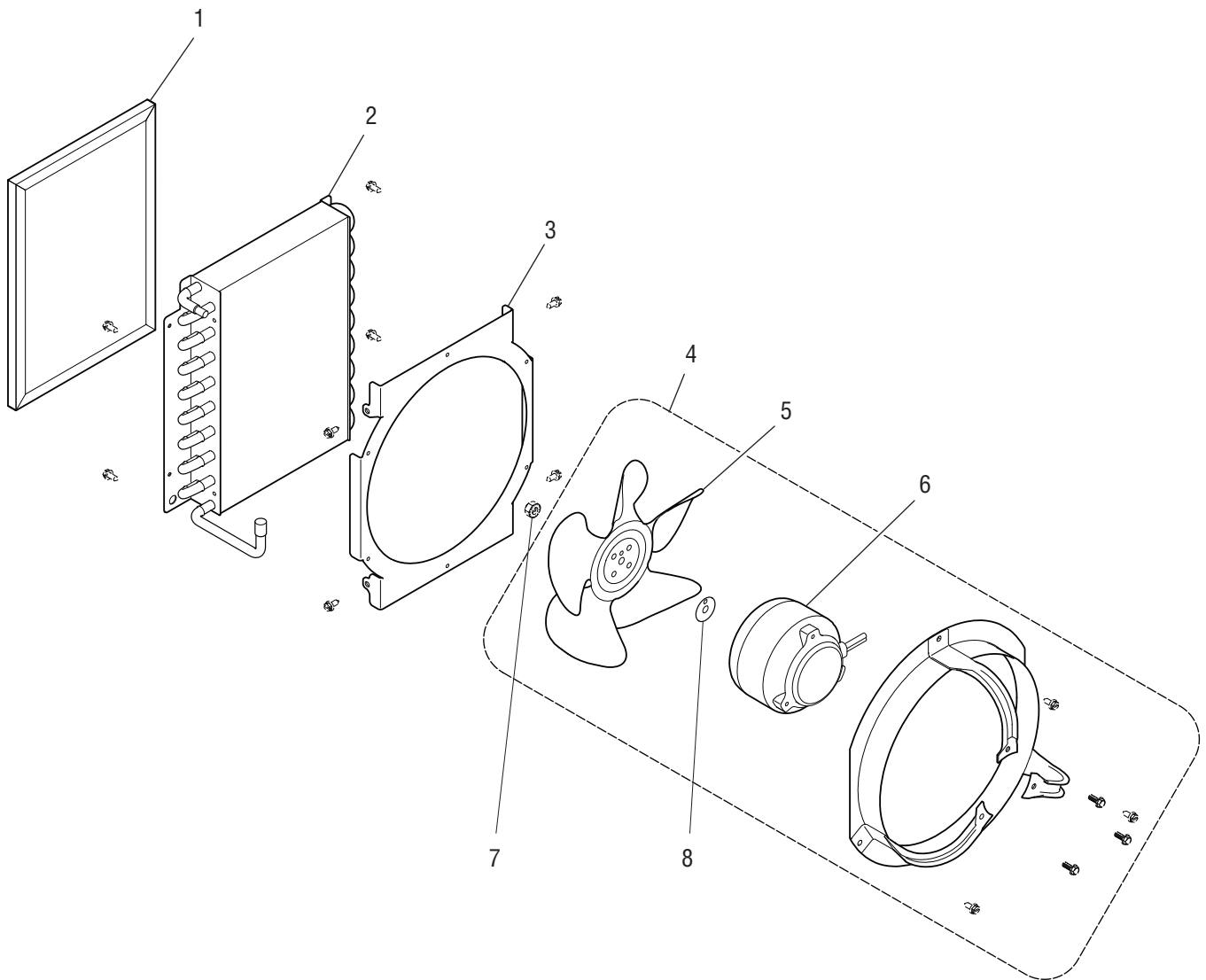


INTERIOR DECALS

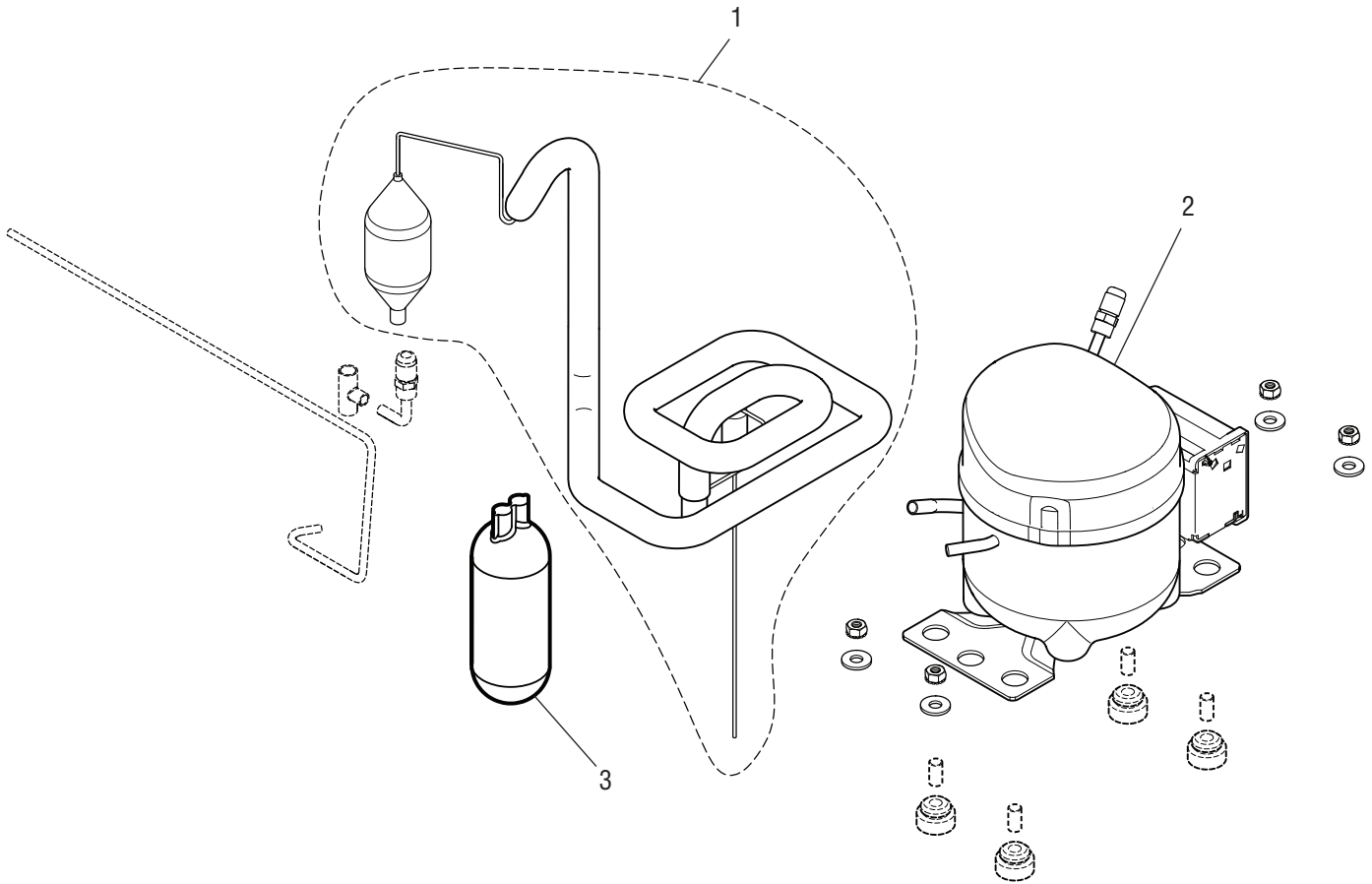
refresh



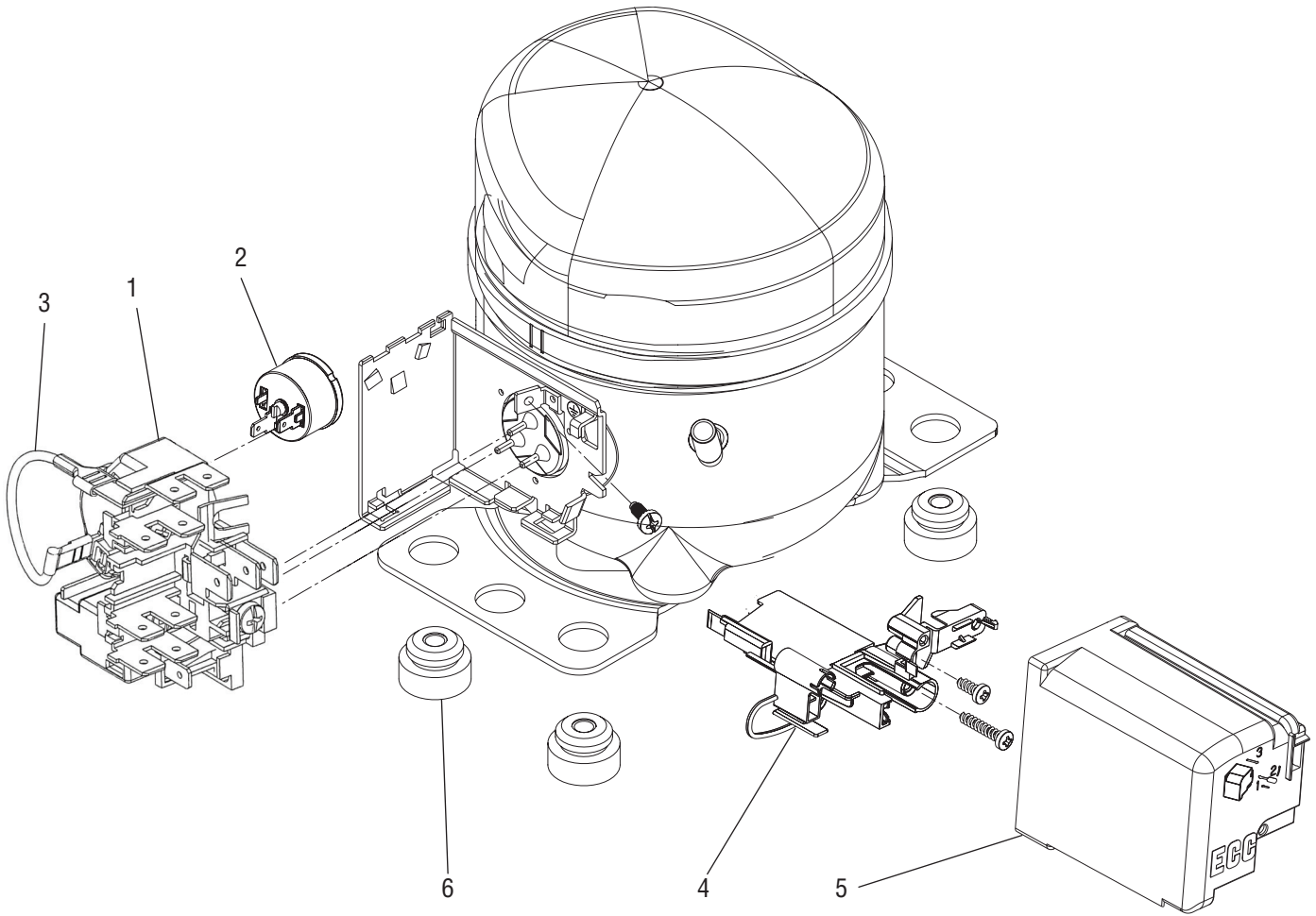
ITEM	PART NO.	QTY.	DESCRIPTION
1	41509.0001	1	Decal, Switch Compressor ON/OFF
2	41509.0002	1	Decal, Switch Dispense ON/OFF
3	41509.0003	1	Decal, Water Filter Reset
4	41509.0004	1	Decal, Program Switch
5	41509.0005	1	Decal, Set CO2 Pressure



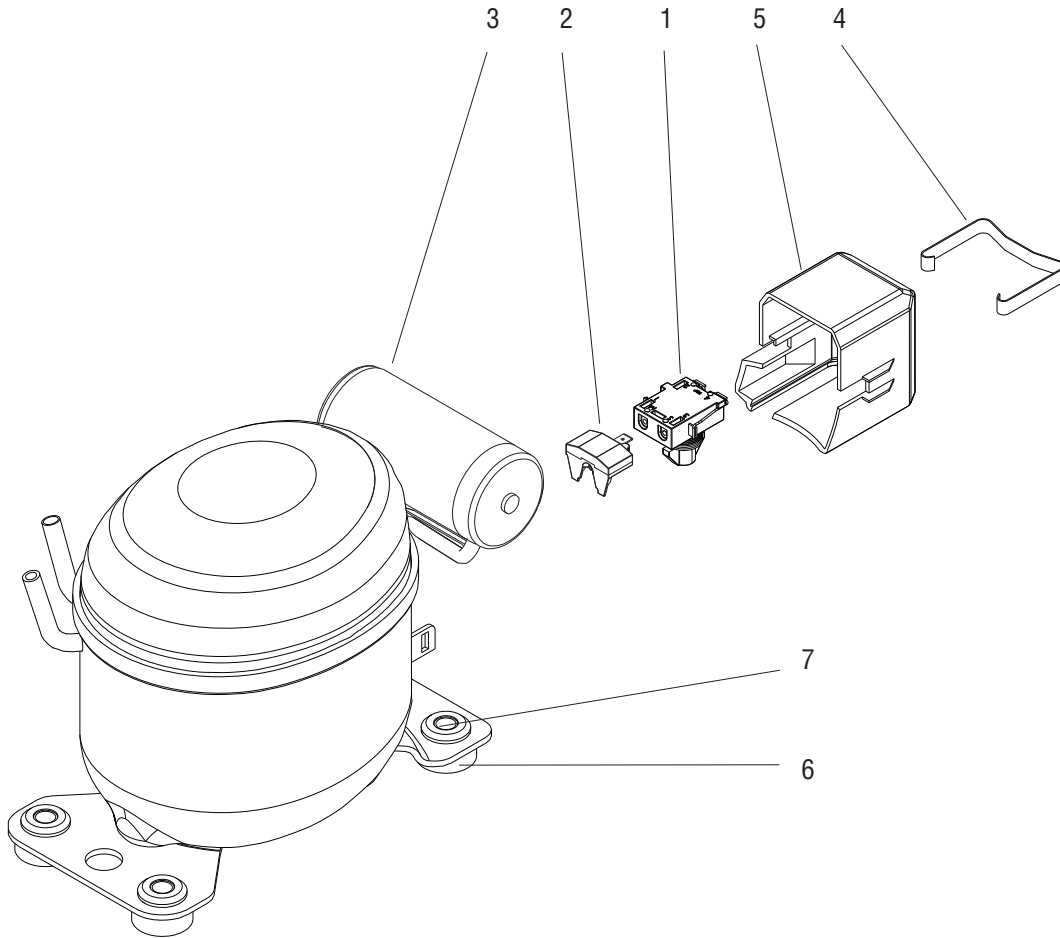
ITEM	PART NO.	QTY.	DESCRIPTION
1	35164.1001	1	Filter, Air JDF-2S/4S
2	48355.1000	1	Condenser, 9" x 6" x 1.25"
3	33601.0000	1	Mount, Condenser Fan
4	49292.1000	1	Fan Assembly, Condenser 120V
5	33602.0000	1	Blade, Condenser Fan
6	33603.0003	1	Motor, Condenser Fan - 115V (Includes Leads and Terminals)
	33603.0004	1	Motor, Condenser Fan - 230V (Includes Leads and Terminals)
	27243.0000	3	Screw, Hex Head Thread Forming #8-32 x .437"
7	27257.0000	1	Speed Nut .25"-20
8	27258.0000	1	Silencer, Fan



ITEM	PART NO.	QTY.	DESCRIPTION
1	35175.1005	1	Filter Dryer Assembly, DWSLV
2	32522.1012	1	Compressor Assembly, 115V GD40ME
3	32776.0000	1	Accumulator, JDF-4



ITEM	PART NO.	QTY.	DESCRIPTION
	35522.1012	1	Compressor, (GD40ME) 120V (Includes items 1-6)
1	<a href="#">39912.0002</a>	1	Relay, Compressor 120V
2	<a href="#">39908.0002</a>	1	Overload Protector 120V
3	<a href="#">41398.0000</a>	1	Cable
4	41397.0000	4	Strain Relief
5	<a href="#">39907.0000</a>	1	Cover
6	<a href="#">41396.0000</a>	1	Mounting Kit (Included 4 Grommets and Sleeves)



ITEM	PART NO.	QTY.	DESCRIPTION
	53850.1003	1	KIT, DWSLV Compressor Replacement, 115V B38G5L (CUBIGEL)
	53850.0001	1	Compressor, 230V 50/60Hz B38G
1	53852.0000	1	Relay, Compressor 115V 60HZ B38G5L
	53852.0001	1	Relay, Compressor 230V 60HZ B38G
2	53851.0000	1	Overload Protector 120V
	53851.0001	1	Overload, DRB Compressor 230V 60HZ B38G
3	53849.0000	1	Capacitor, Start Compressor 61 MFD 330V B38G
4	53848.0000	1	Clip, Electrical Cover
5	53847.0000	1	Cover, Electrical
6	53854.0000	4	Grommet, Compressor Mounting
7	53853.0000	4	Sleeve, Compressor Mounting

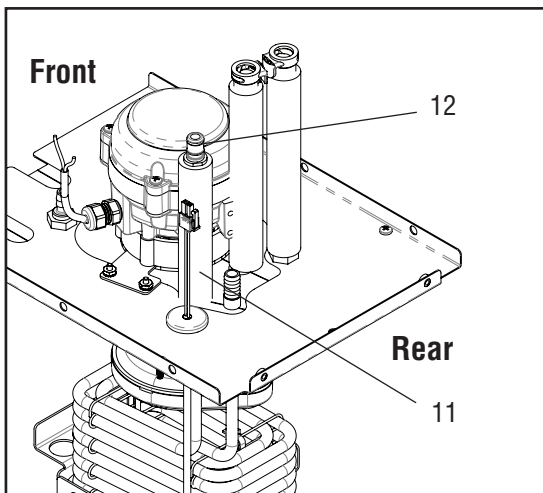
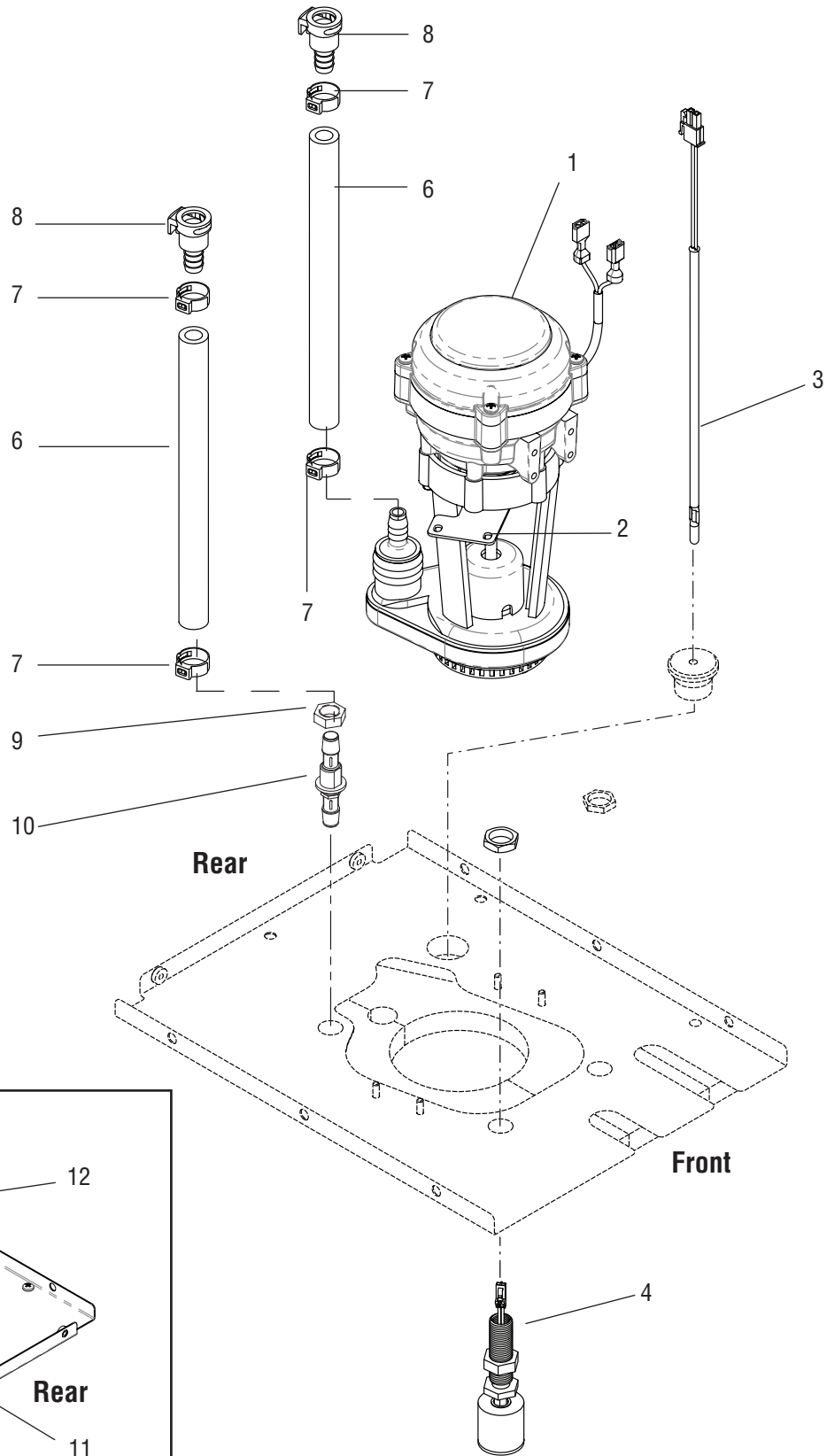
**The following items are not illustrated**

8	52243.0000	1	Wiring Harness, B38G5L Compressor Capacitor Extension.
---	------------	---	--



# WATER TANK PUMP COMPONENTS

refresh



ITEM	PART NO.	QTY.	DESCRIPTION
1	53761.1000	1	Kit, Recirc Pump 120/230VAC - Seald Brng
2	00973.0001	4	Nut, Keps 6-32 SST
3	28891.1000	1	Probe, Temp 7.7" LG
4	55112.0001	1	Switch Assembly, .58 Diameter Float w/Bhd & Nut
		1	Bulkhead .125 NPT, SST
	49830.0000	1	Lock Washer
	29264.0000	1	Nut, Hex SSt. .50-20 UNF
5	-----	-	
6		1	Hose, Flex .375 ID x 7.50 Lg Braid (Order Item 13)
		-	Insulation, Tube 1/2IDX3/16W (Order item 15)
7	21275.0013	4	Clamp, Sst - .571/.699 Dia 17.0
8	34463.0000	2	Coupling, Female .375 Tube ID
9	51921.0000	1	Nut, Hex .250-18 NPSF Nylon
10	51906.0000	1	Fitting, Bulkhead .38 X .38 KYNAR
11		1	Hose, .265 ID X 4.00 LG Braided Wht Line (Order item 14)
		-	Insulation, Tube 1/2IDX3/16W (Order item 15)
12	34460.0000	1	Coupling, Male .250 Tube ID
	21275.0001	2	Clamp, SST-.425/.523 DIA13.3 (Not illustrated)

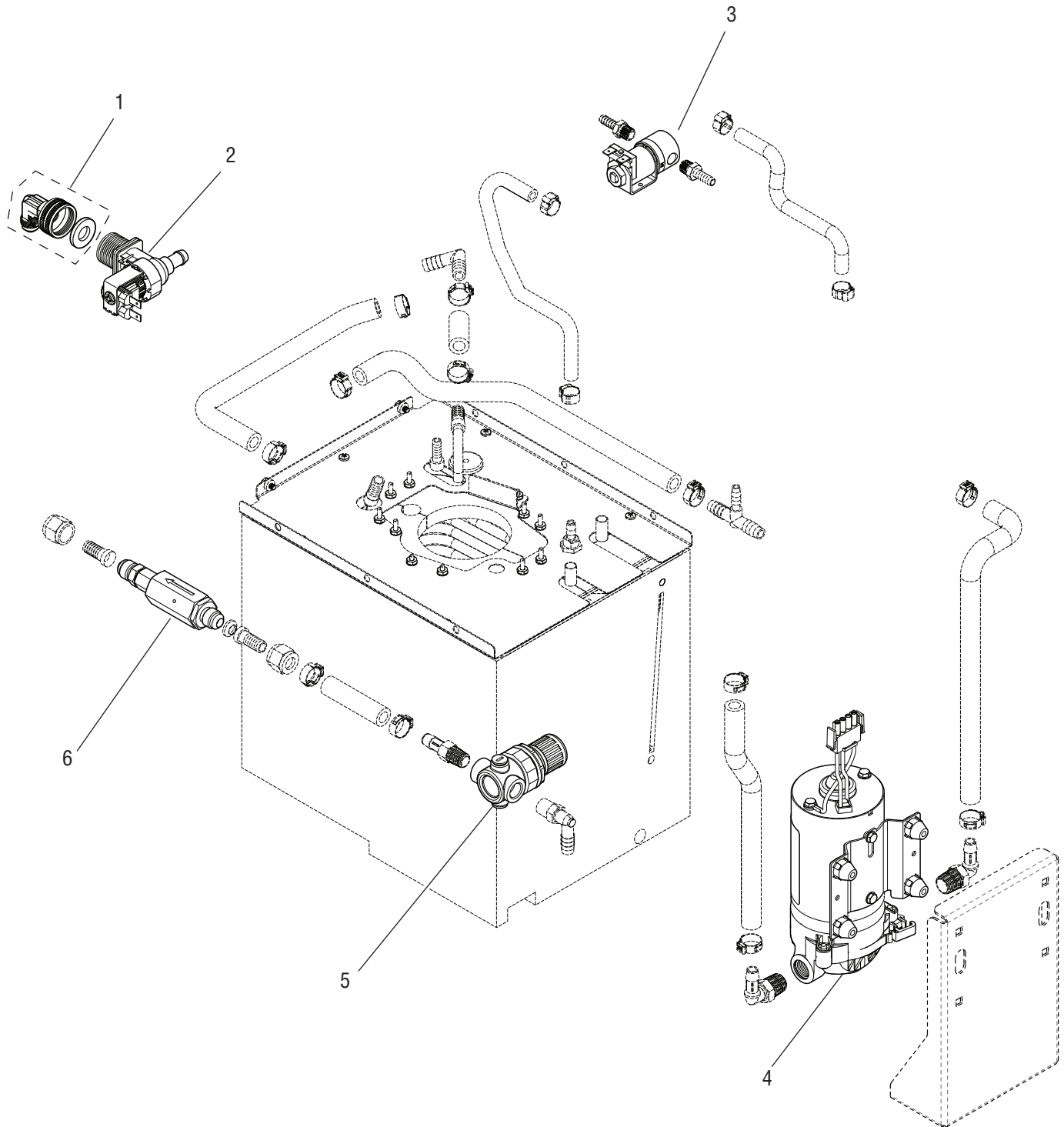
**The following items are not illustrated**

13	54496.1000	-	Hose, .38 ID X 12.0 LG Braided Wht Line
	54496.1001	-	Hose, .38 ID X 36.0 LG Braided Wht Line
	54496.1002	-	Hose, .38 ID X 120.0 LG Braided Wht Line
14	54497.1000	-	Hose, .265 ID X 12.0 LG Braided Red Line
	54497.1001	-	Hose, .265 ID X 36.0 LG Braided Red Line
	54497.1002	-	Hose, .265 ID X 120.0LG Braided Red Line
15	M2337.1000	1	Insulation, Tube 1/2IDX3/16W X 6FT

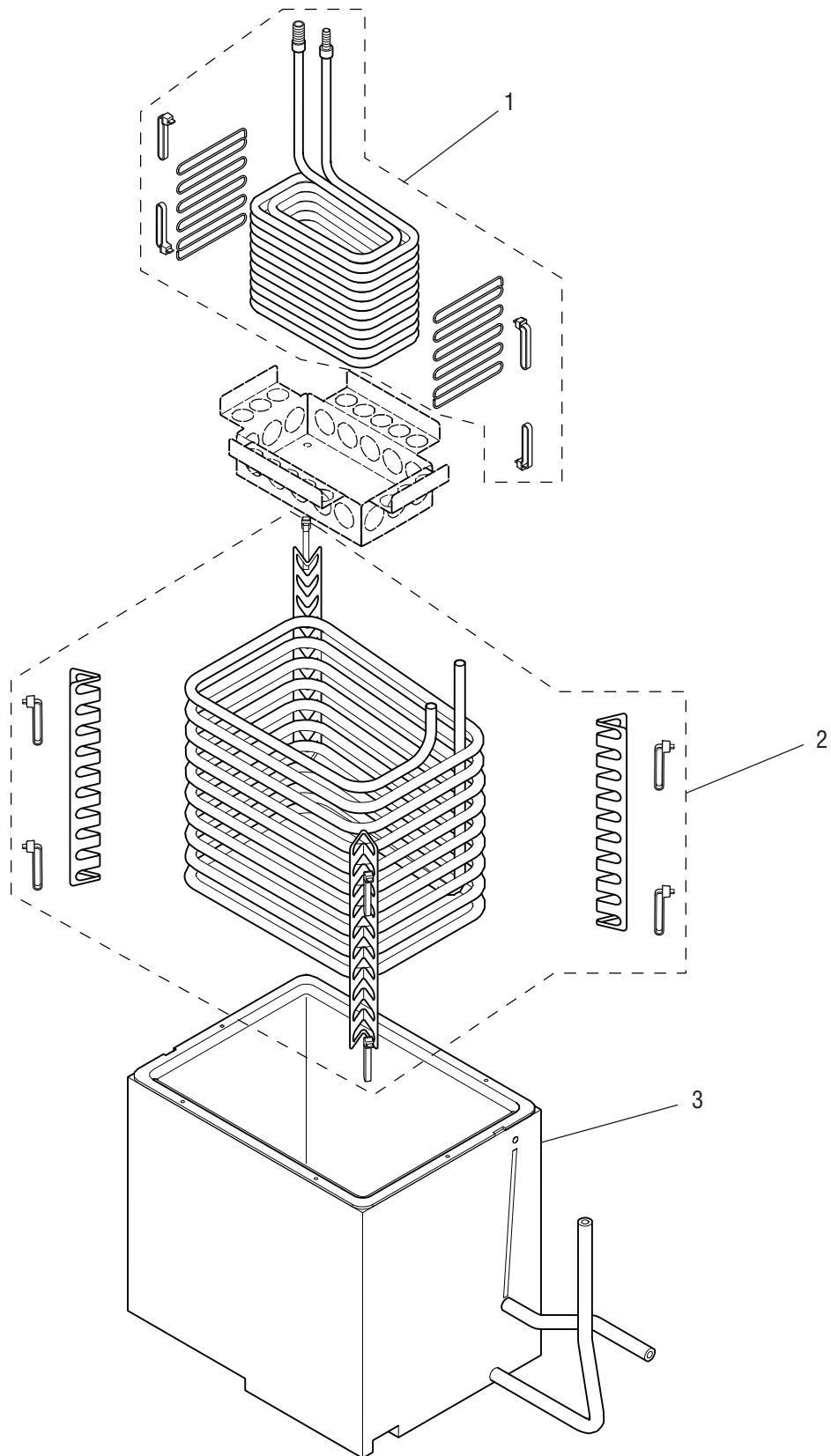


# CIRCULATING PUMP COMPONENTS

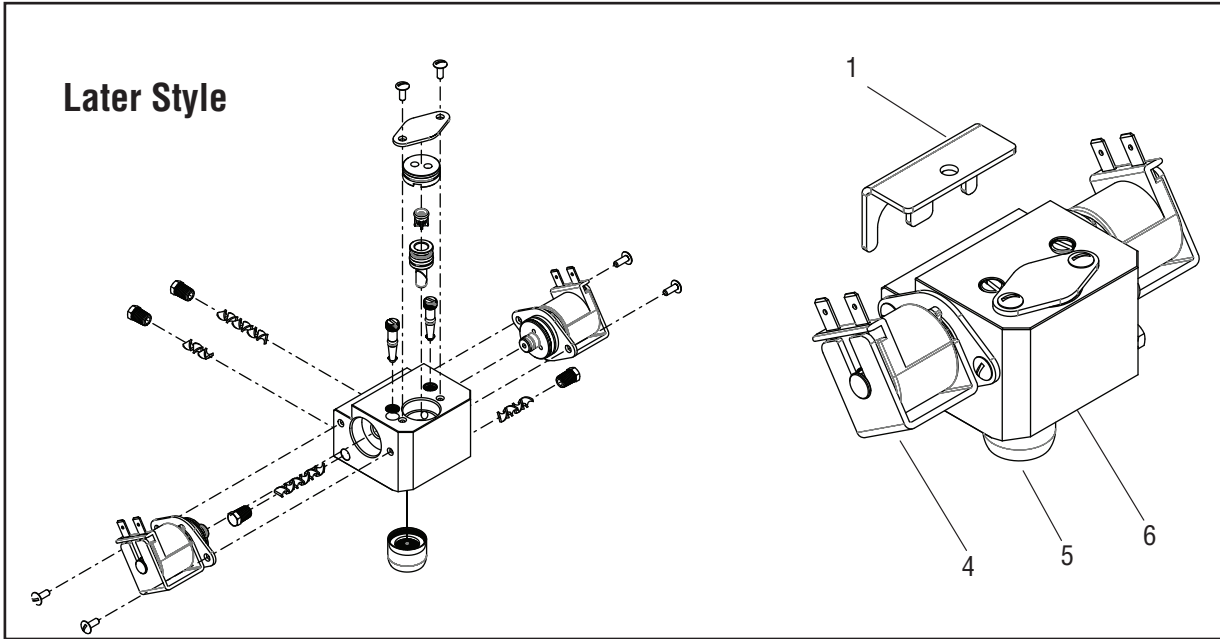
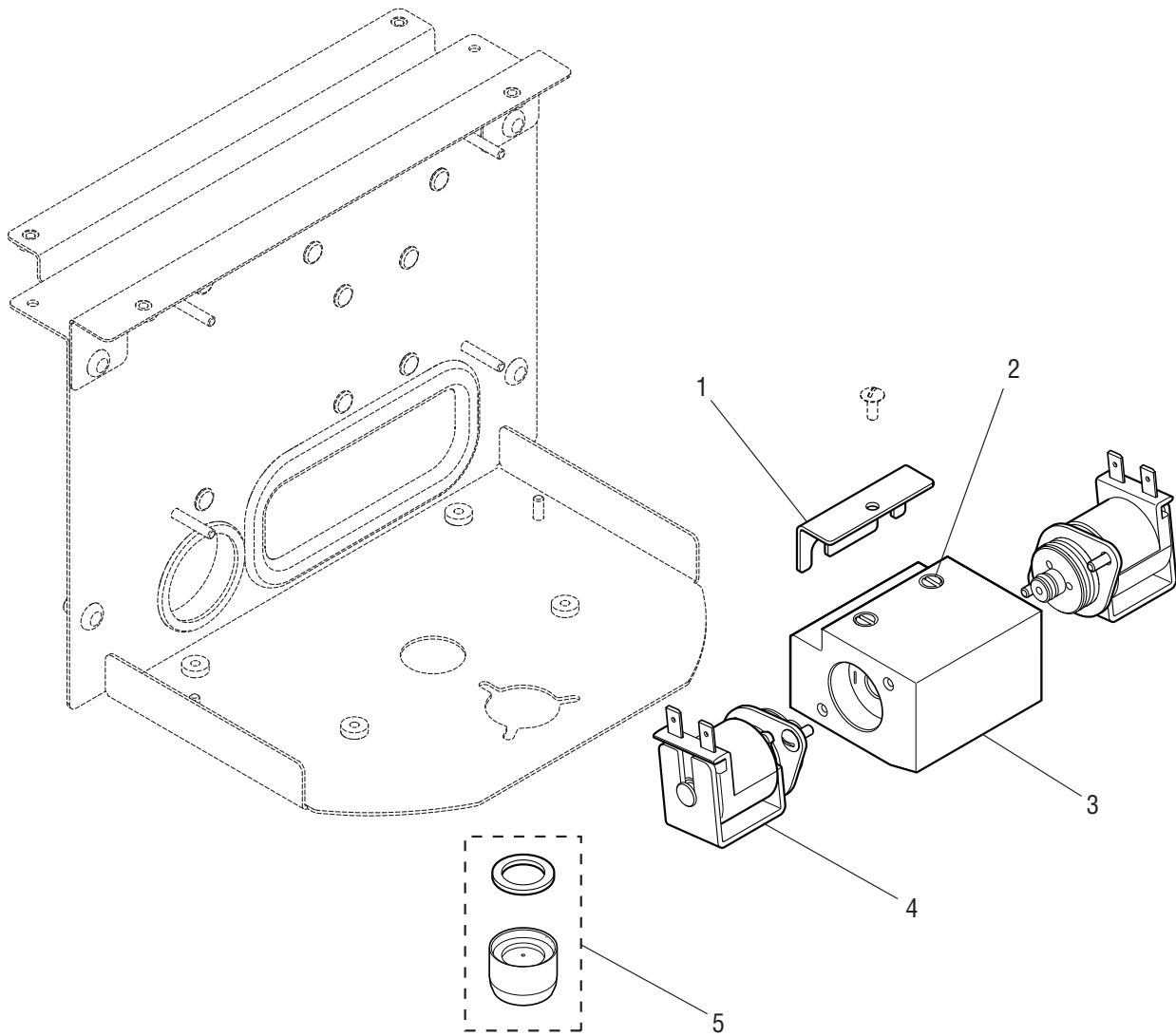
refresh



ITEM	PART NO.	QTY.	DESCRIPTION
1	37297.1001	1	Elbow, Water Inlet w/gasket
2	36233.0005	1	Valve, Inlet 120VAC
	36233.0006	1	Valve, Inlet 230VAC
3	32757.0000	1	Valve Assembly, Water 24VDC (KIP)
4	48350.1003	1	Pump Assembly, 115 VAC (Shurflo 8005-912-260)
5	49254.0000	1	Regulator, Water 5-125 PSIG Plastic
6	48345.0000	1	Valve, 3/8" M/F Double Check w/vent



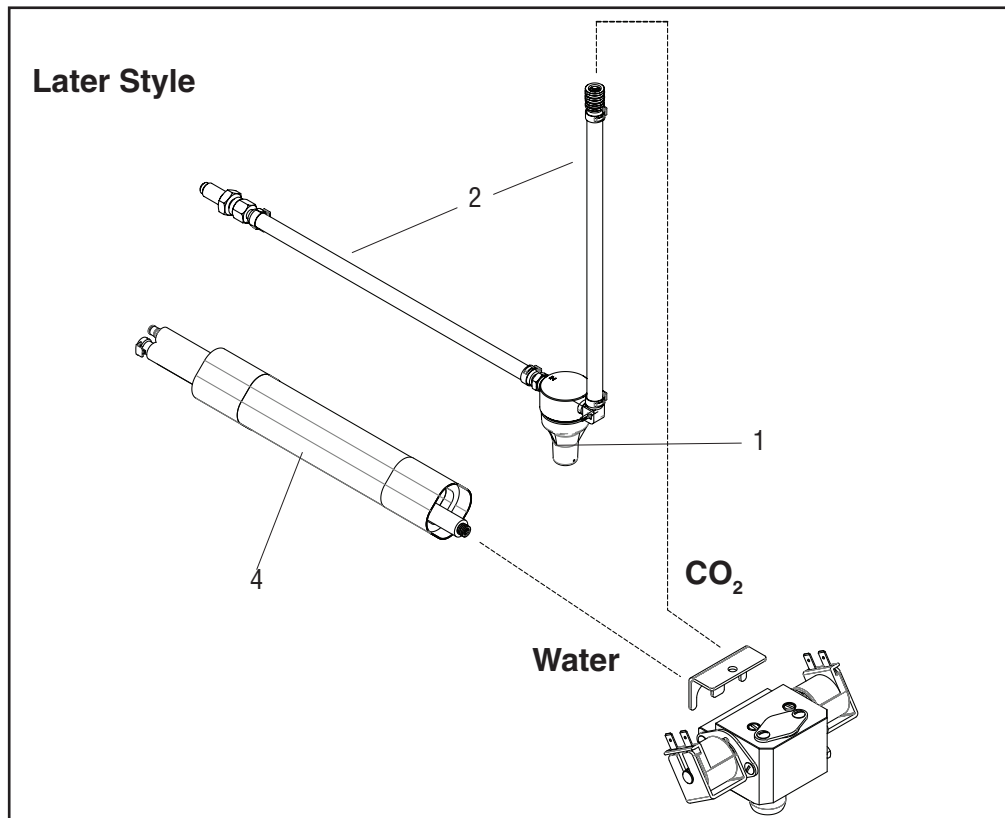
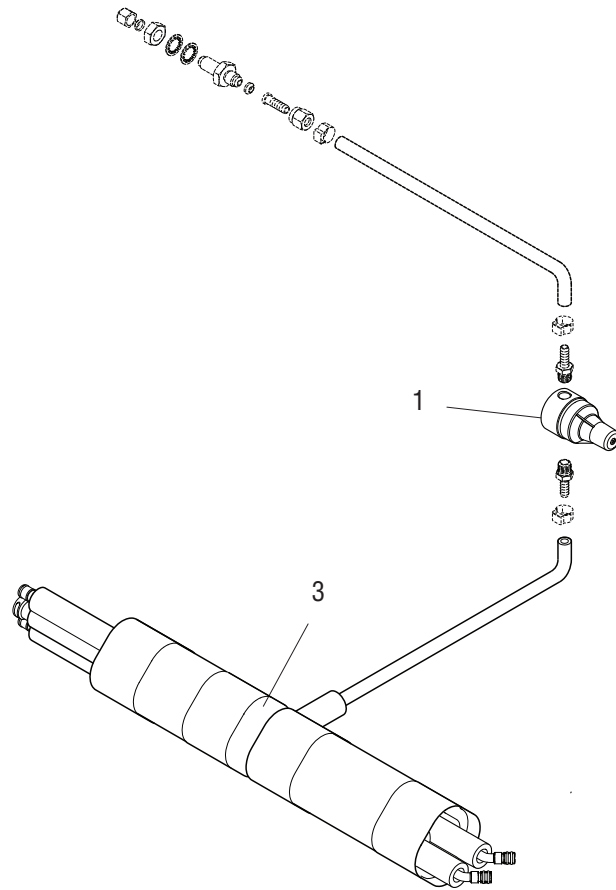
ITEM	PART NO.	QTY.	DESCRIPTION
1	51522.0001	1	Coil Assembly, Product JDF-2S
2	47581.0000	1	Coil Assembly, Evaporator w/spacer JDF-2S
3	35165.1003	1	Tank/Foam Assembly, JDF-2S



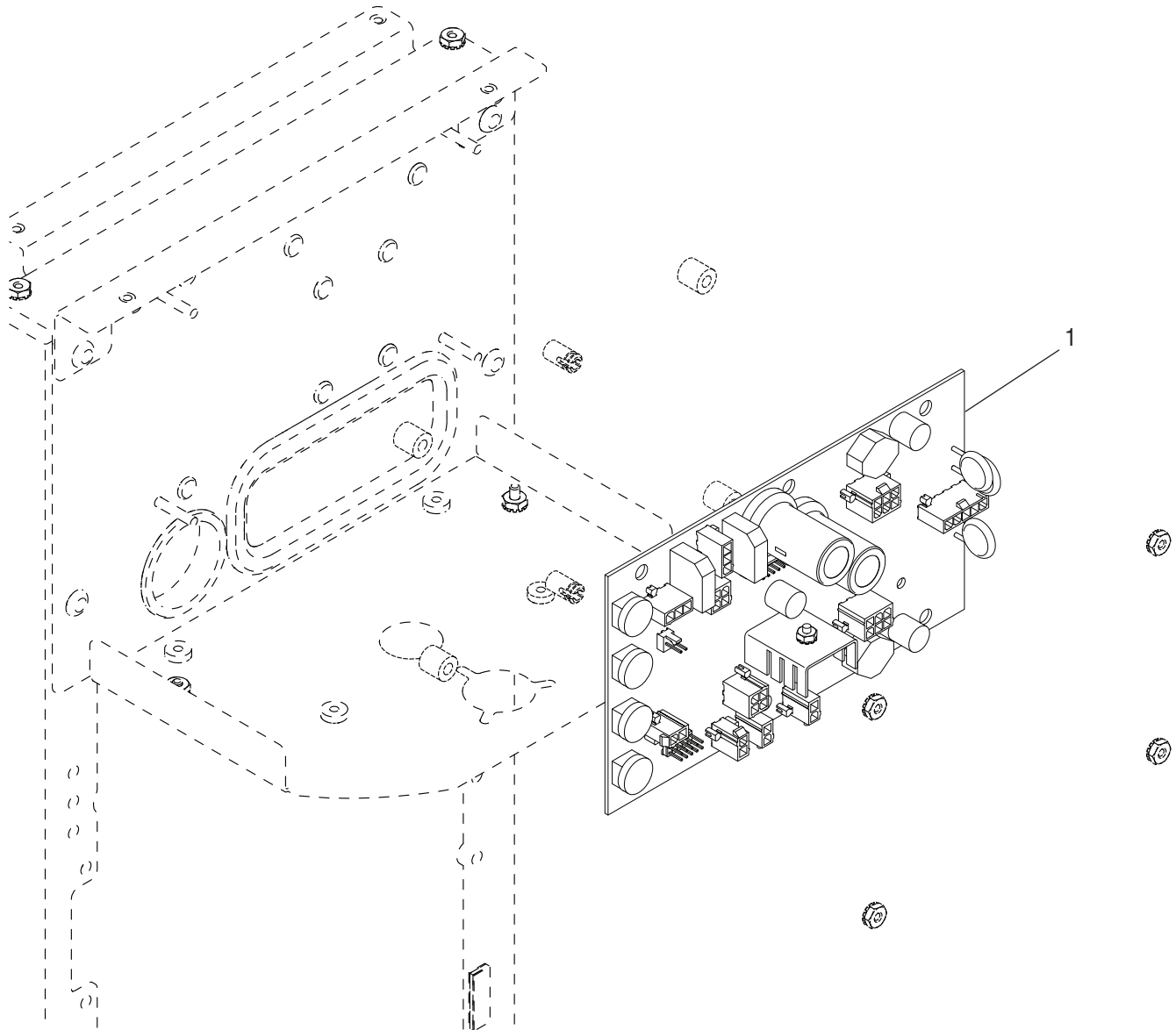
ITEM	PART NO.	QTY.	DESCRIPTION
1	47871.0001	1	Bracket, Valve Fitting
	47871.0003	1	Bracket, Valve Fitting (Later Style)
2	43117.0000	2	Screw, Needle Valve .3125 Bulkhead
3	48624.0005	1	Valve, Body
4	32252.0001	2	Valve, 24VDC Plug-In
5	47797.0000	1	Nozzle Assembly, Faucet Flow Laminator
6	48623.1008	1	Injector Dispense Valve Assembly (Later Style)
		1	Valve Body Disp w/2 NFC and Static Mix
		1	Nozzle Assembly
		2	Valve, 24VDC Plu-In
		6	Screw, TRH SERR SST 6-32 x .38
		2	Needle, Valve 10 DEG Mach
		2	O-ring, 005 EP 70
		1	Injector, Dispense Valve
		1	O-ring, 013 EP70
		1	Check Valve
		1	Plug, Water Injector
		1	O-ring, 018 EP70
		1	Plate, Plug Injector
		1	Static Mixer .250
		4	Plug, 1/16 NPT KYNAR

**Items Not Shown**

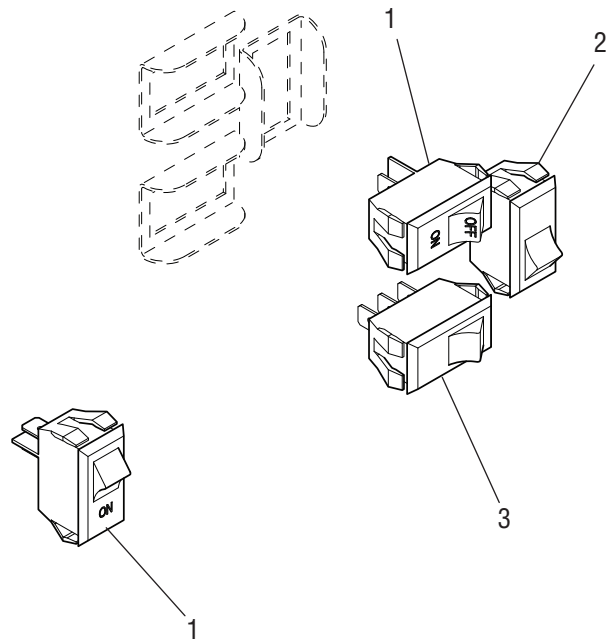
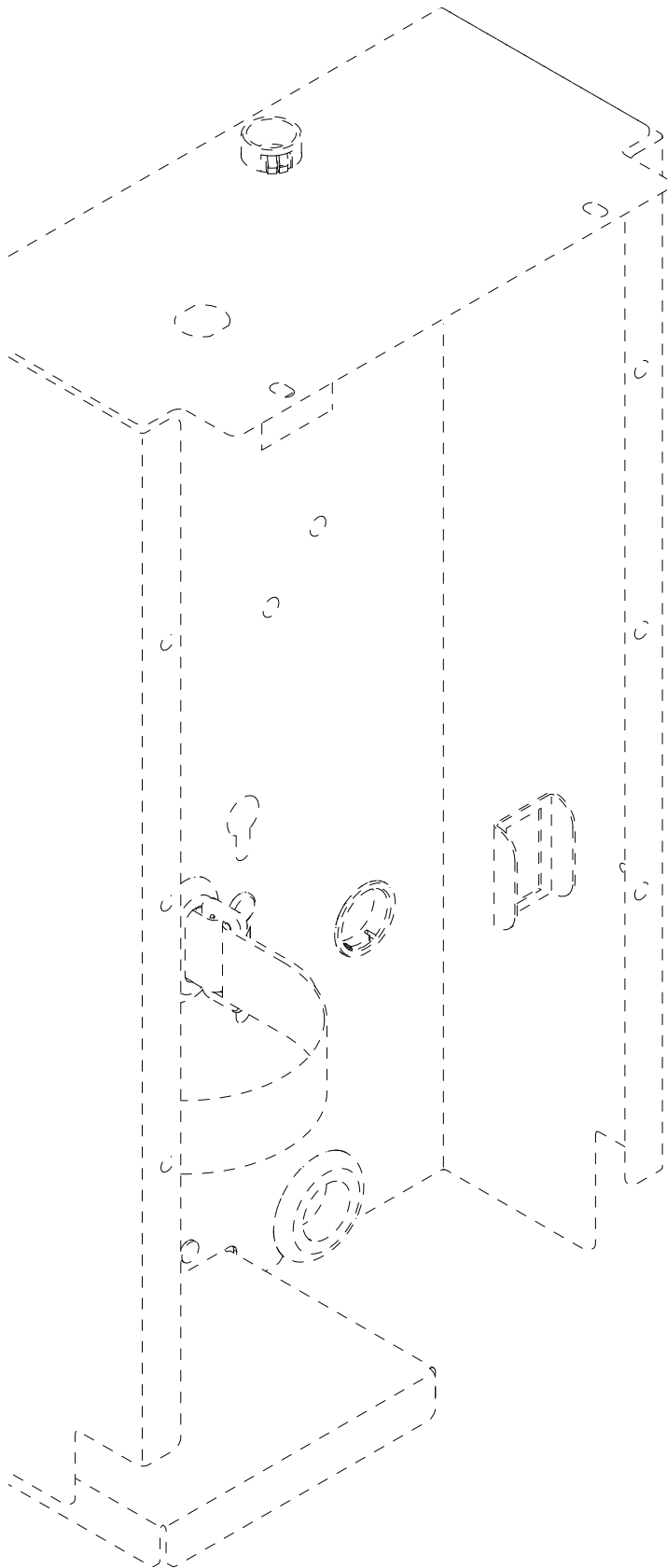
7	44023.0001	1	Grease, Silicone
8	24733.0016	2	O-Ring



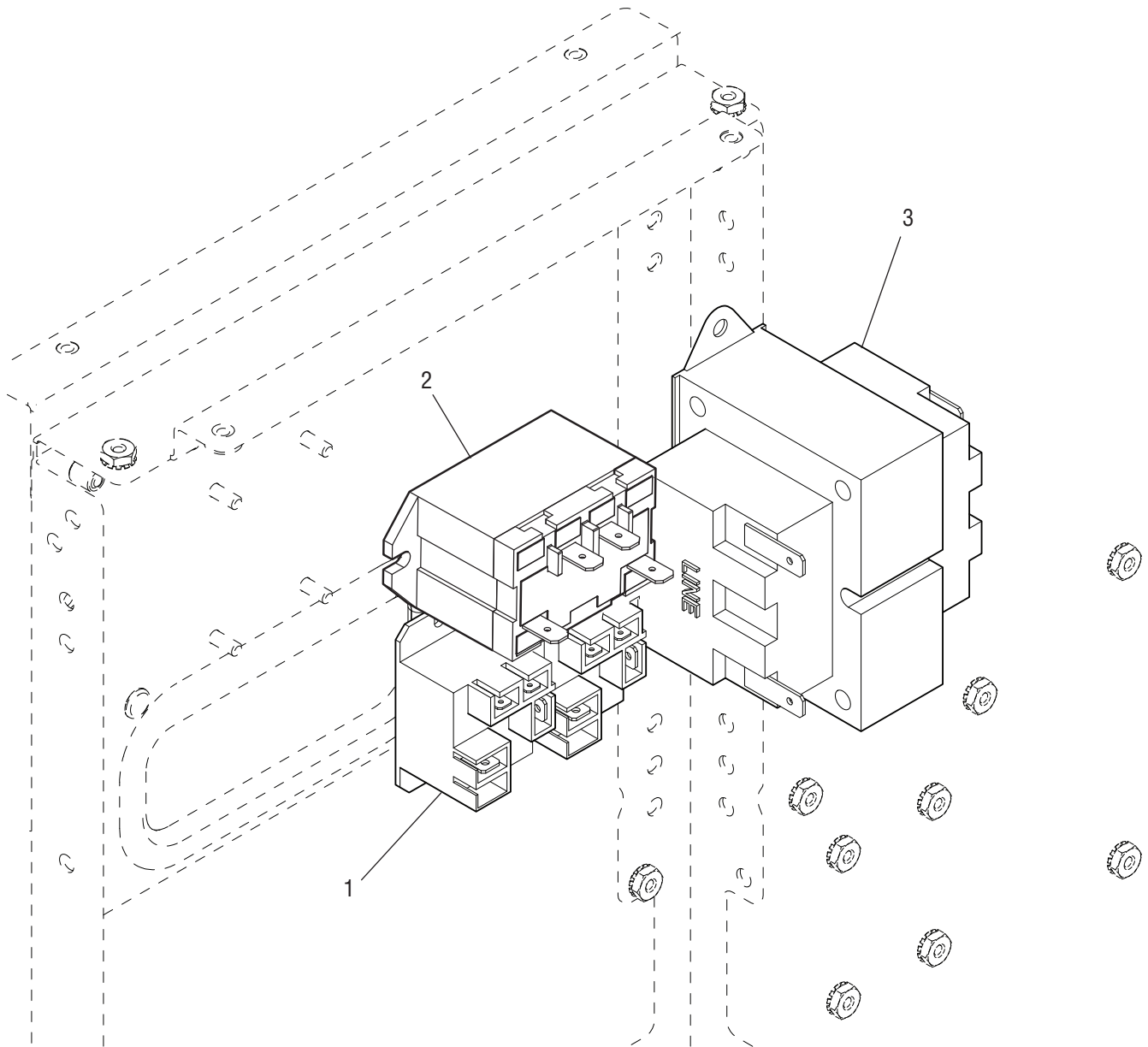
ITEM	PART NO.	QTY.	DESCRIPTION
1	47249.0000	1	Regulator, 90 PSIG Air Non-Adjust
	47249.0002	1	Regulator, 90 PSIG Air Non Relieving (Later Style)
2	49388.0004	1	Hose Asssembly, CO <sub>2</sub> Bulkhead (Later Style)
		1	Fitting, Bulkhead-BRS .250FLR
		1	Gasket, .198 IDx.380 OD Nylon
		1	Nut, Hose Barb Coupling
		1	Coupling, Hose Barb .950 LG
		1	Regulator Assy, 90 PSIG Air Non Adjust
		1	Hose, .265 ID X 11.5 LG Braided Red Line
		4	Clamp, SST-.425 - .524 #133
		1	Hose, .265 ID X 10.5 LG Braided Red Line
		1	Fitting, 1/4 Barb Gas Infuser
		1	Valve, Check NEOPERL OD8
2	O-ring, -013 EP 70		
3	49385.1000	1	Conduit Assembly, Recirc In-Line Carb
4	49385.1001	1	Conduit Assembly, Recirc without In-Line Carb (Later Style)



ITEM	PART NO.	QTY.	DESCRIPTION
1	40177.1004	1	CBA, DWS ROHS (V00.06)
<b><u>Items Not Shown</u></b>			
2	36903.0000	1	LED Assembly, Blue w/terminals (In Hood)



ITEM	PART NO.	QTY.	DESCRIPTION
1	04786.0002	2	Switch, On/Off 125/250V (VISRED) (Compressor, Program)
2	01063.0000	1	Switch, Momentary Start (Water Filter)
3	20637.0000	1	Switch, Rocker - Blk - SPDT On/Off (Dispense)



ITEM	PART NO.	QTY.	DESCRIPTION
1	32104.0001	1	Relay, 24V Coil
2	37711.1002	1	Relay, 120V SPST
	37711.0001	1	Relay, 240V DPST
3	39305.0000	1	Transformer, 120V 50/60 Hz
	39417.0001	1	Transformer, 230V

**Items Not Shown**

4	20630.0013	1	Cord, Power
5	00707.0000	1	Stop, Cord
6	38074.0036	1	Cord Assy, Power 10A/250V DWSLV INMETRO