



**BUNN**<sup>®</sup>  
Quality Since 1840

**LCR-3 HV**



# ILLUSTRATED PARTS CATALOG

Designs, materials, weights, specifications, and dimensions for equipment or replacement parts are subject to change without notice.

## **BUNN-O-MATIC CORPORATION**

POST OFFICE BOX 3227

SPRINGFIELD, ILLINOIS 62708-3227

PHONE: (217) 529-6601 FAX: (217) 529-6644

**[www.bunn.com](http://www.bunn.com)**

To ensure you have the latest revision of the Operating Manual, Illustrated Parts Catalog, Programming Manual, or Service Manual, please visit the Bunn-O-Matic website, at [www.bunn.com](http://www.bunn.com). This is absolutely FREE, and the quickest way to obtain the latest catalog and manual updates. For Technical Service, contact Bunn-O-Matic Corporation at 1-800-286-6070.

# BUNN-O-MATIC COMMERCIAL PRODUCT WARRANTY

## Commercial Warranty

Warranty statements and information can be found on our website. Please visit [commercial.bunn.com/support/warranty-lookup](https://commercial.bunn.com/support/warranty-lookup) for further details.

# TABLE OF CONTENTS

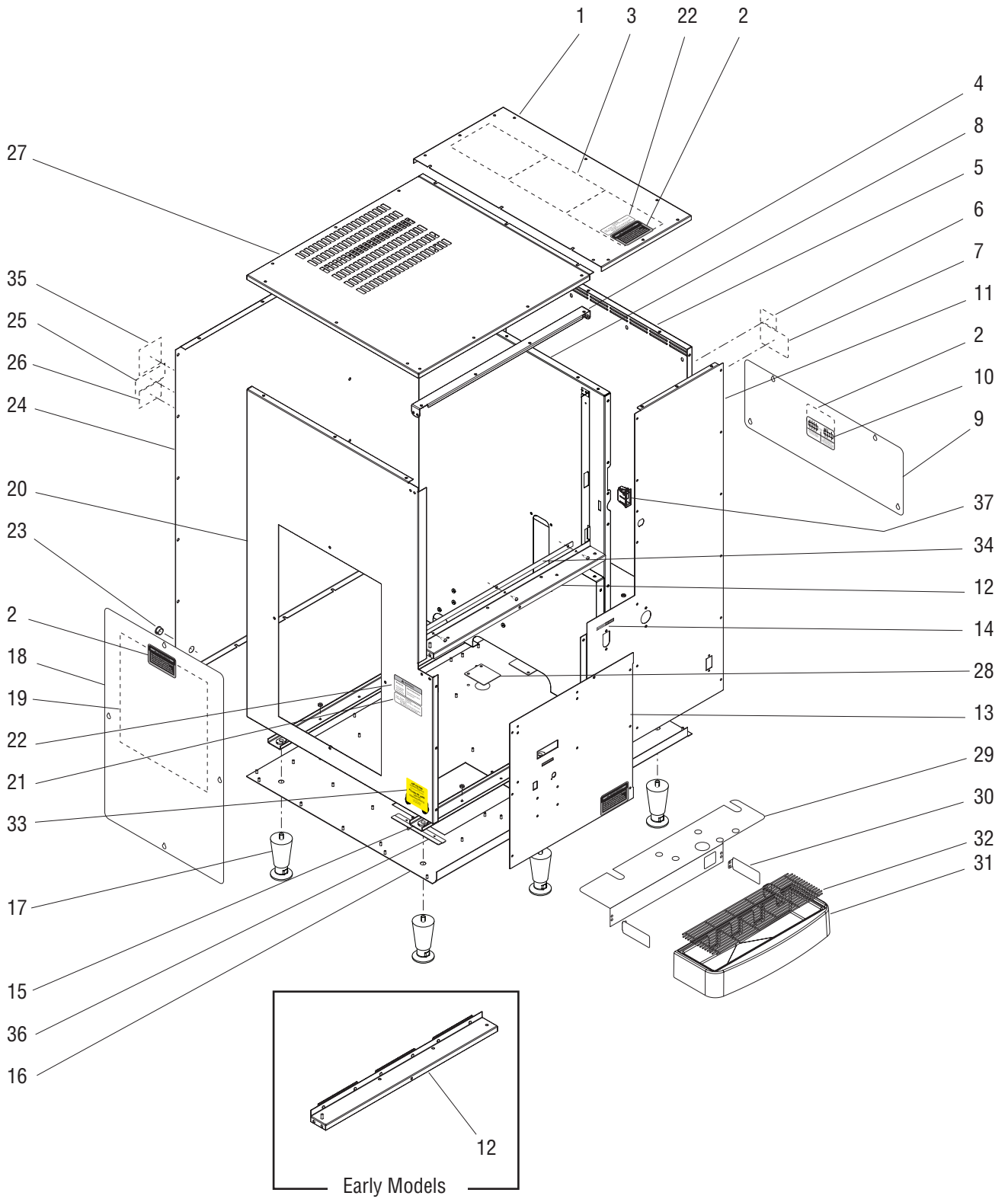
TITLE	PAGE NO.
Housing & Panels .....	4
Door Assembly .....	8
Cabinet Assembly .....	10
Refrigeration Components Cubigel GD40ME .....	12
Refrigeration Components LG.....	16
Refrigeration Components Cubigel B38G5L.....	20
Compressor Components LG.....	24
Compressor Components Cubigel GD40ME .....	26
Compressor Components Cubigel B38G5L.....	28
Tank & Mounting .....	30
Tank Assembly .....	32
Dispense Valves & Lines .....	34
Pump Assembly.....	38
Electrical Components .....	40

**To search this document electronically, press “control” + “F” (on P.C.) or “command” + “F” on Mac, then type in description or part number, press “enter” .**



# HOUSING & PANELS

# LCR-3 HV



## HOUSING & PANELS

ITEM	PART NO.	QTY.	DESCRIPTION
1	40888.1000	1	Cover Assy w/decals, Top Right (Includes items 2, 3 & 22)
	01311.0000	13	Screw, Truss Head #8-32 x .25"
2	37881.0000	4	Decal, No Serviceable Parts
3	25151.0008	3	Shield
4	40520.0000	1	Bracket, Upper Cabinet
	01311.0000	4	Screw, Truss Head #8-32 x .25"
5	40215.1000	1	Panel, Right Side (Includes items 6 & 7)
	01311.0000	8	Screw, Truss Head #8-32 x .25"
	00908.0000	5	Nut, Hex #8-32
6	27508.0000	1	Decal, Caution - Circuit Connection
7	28181.0004	1	Decal, Optional Field Wiring
8	40219.0001	1	Panel, Center
	40219.0002	1	Panel, Center (Models with improved left front access panel)
	00908.0000	4	Nut, Hex #8-32
9	40528.1000	1	Panel, Right Access (Includes items 2 & 10)
	01311.0000	4	Screw, Truss Head #8-32 x .25"
10	37947.0002	1	Decal, Field Wiring
11	40526.0000	1	Panel, Front Right
	40526.0001	1	Panel, Front Right (Includes item 14)(Models with improved left front access panel)
	01311.0000	16	Screw, Truss Head #8-32 x .25"
12	40518.0002	1	Bracket, Lower Cabinet
	40518.1001	1	Bracket, Lower Cabinet (Models with improved left front access panel)
	01311.0000	4	Screw, Truss Head #8-32 x .25"
13	40882.1000	1	Panel, Left Front (Includes item 14)
	40882.1002	1	Panel, Left Front (Models with improved left front access panel)
	01311.0000	3	Screw, Truss Head #8-32 x .25"
14	37280.0000	1	Decal, Hot Liquids
15	40213.0000	2	Support, Leg
	00908.0000	8	Nut, Hex #8-32
16	43069.0000	1	Base
17	40041.0000	6	Leg
18	40527.1000	1	Panel, Left Access (Includes items 2 & 19)
	01311.0000	4	Screw, Truss Head #8-32 x .25"
19	41172.0000	1	Schematic, Electrical
20	40217.1000	1	Panel, Left Side (Includes items 21 & 22)
	01311.0000	4	Screw, Truss Head #8-32 x .25"
	00908.0000	5	Nut, Hex #8-32

(Continued)

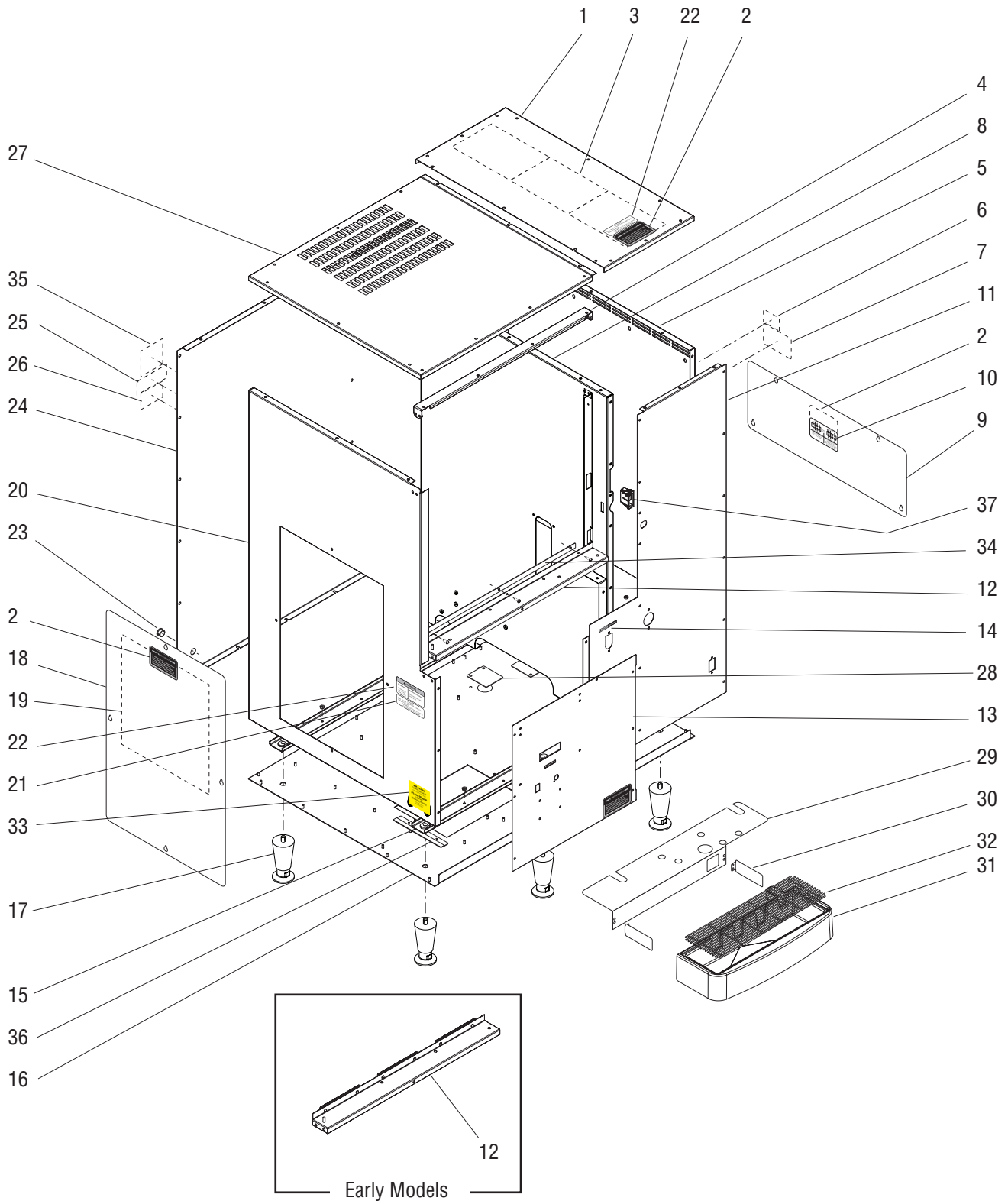
\* Indicates the part number listed is for reference only. See DESCRIPTION for possible service replacement.



# HOUSING & PANELS

# LCR-3 HV

(Continued)



P4020.25

## HOUSING & PANELS

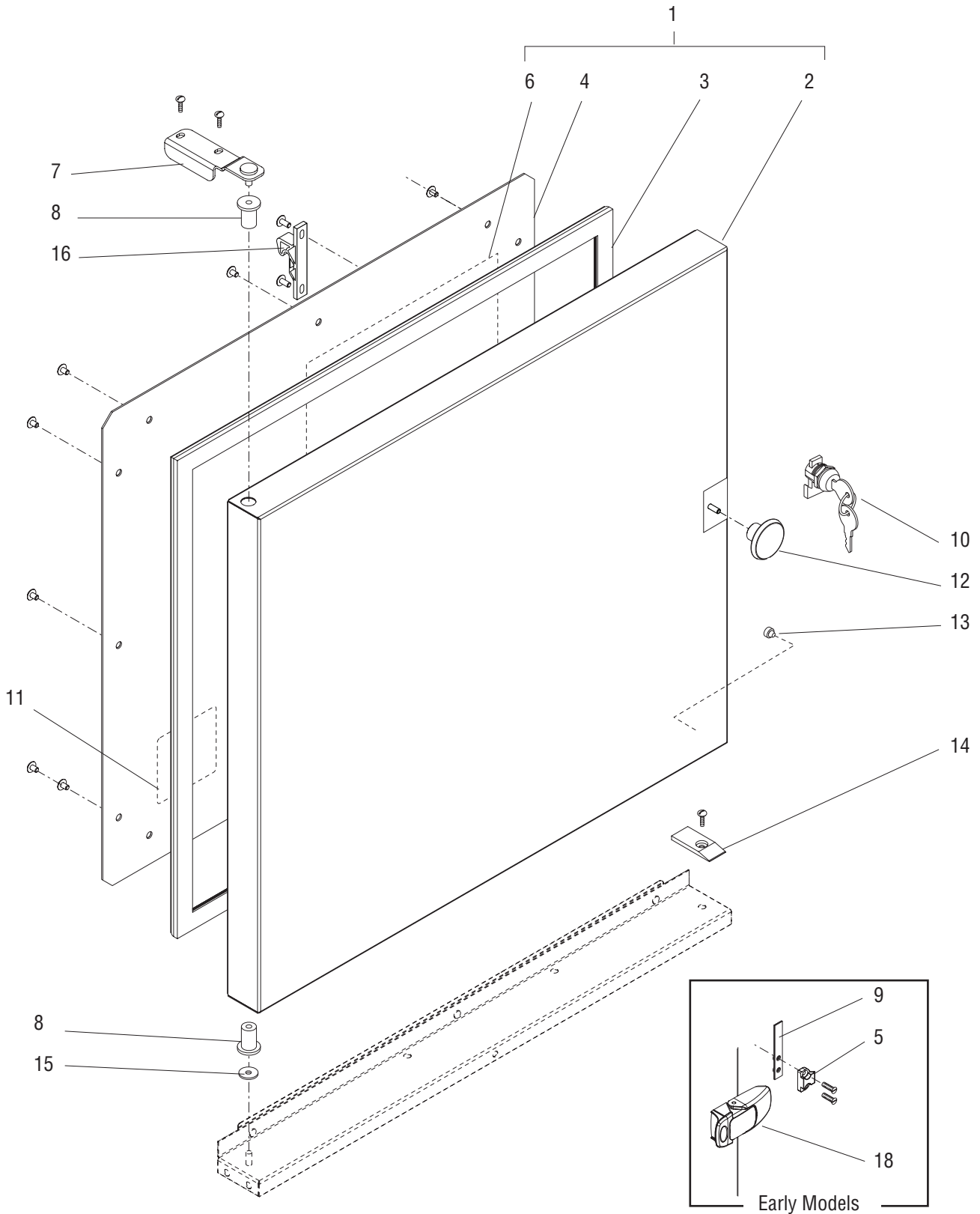
ITEM	PART NO.	QTY.	DESCRIPTION
21	33461.0004	1	Decal, Refrigerant Charge (Cubigel Compressor)
	33461.0006	1	Decal, Refrigerant Charge (LG Compressor)
22	27442.0000	2	Decal, Warning - Moving Parts
23	00669.0000	1	Plug, Nylon BLK
24	43067.1000	1	Panel, Rear (Includes items 25 & 26)
	01311.0000	18	Screw, Truss Head #8-32 x .25"
	00908.0000	5	Nut, Hex #8-32
25	00656.0001	1	Decal, Comply to Plumbing Code
26	00986.0002	1	Decal, Warning - Electrical
27	40259.0000	1	Cover, Top Left
	01311.0000	10	Screw, Truss Head #8-32 x .25"
28	41394.0000	2	Cover
	01315.0000	4	Screw, Truss Head, Slotted #8-32 x .38"
29	41514.0000	1	Bracket, Drip Tray
30	38617.0001	2	Bracket
	01317.0000	4	Screw, Truss Head, Slotted #8-32 x .50"
31	38764.1001	1	Drip Tray & Grate (Includes item 32)
32	39613.0000	1	Grate, Drip Tray
33	40054.0000	1	Decal, Air Filter
33	41656.0000	-	Drip Tray Kit (Includes items 29 - 32)
34	43895.0001	1	Support, Cabinet (Late Models)
	01380.0000	3	Screw, Truss Head #6-32 x .50"
35	44860.0000	1	Decal, Alternate Water/Electrical Location
36		1	Bracket*
		2	Rivet*
37	48978.0000	1	Catch, Snap-in (Models with second type door assy)

\* Indicates the part number listed is for reference only. See DESCRIPTION for possible service replacement.



# DOOR ASSY

# LCR-3 HV



P4021.70

## DOOR ASSY

ITEM	PART NO.	QTY.	DESCRIPTION
1	40254.1000	1	Door Assy w/decals (Doors with Spring Latch)(Includes item 2 - 6 & 8)
	40254.1001	1	Door Assy w/decals (Doors with Knob)(Includes item 2 - 4, 8 & 12)
2		1	Door, Foamed (Doors with Spring Latch)*
		1	Door, Foamed (Doors with Knob)*
3	41513.0000	1	Seal
4	40253.1000	1	Panel Assy, Inner Door (Includes items 6 & 11)
	01311.0000	12	Screw, Truss Head #8-32 x .25"
5		1	Keeper (Early Models)*
	01362.0000	2	Screw
6	34809.0003	1	Decal, Maintenance
7		1	Plate, Door Hinge (Order item 19)
	36154.0000	2	Screw
	20203.0100	2	Lock washer Intl Tooth-SST #8
8	40538.0000	2	Bushing
9	40535.0000	1	Plate, Keeper (Early Models)
10	32863.1000	1	Keylock w/keys
	28095.0000	1	Key Set (Includes 2 Keys)
11	40054.0000	1	Decal, Air Filter
12	48911.0000	1	Knob
13	34394.0001	1	Bumper, Plug
14	49119.0000	1	Ramp
	02308.0000	1	Screw
15	43951.0000	1	Washer
16	34667.0000	1	Latch, Door
	02308.0000	2	Screw, Pan Head #8-32 x .38"
17	40540.1001	-	Door Hinge Retrofit Kit (Includes items 7, 13 - 15)
18	40872.0000	1	Latch (Early Models)

**The following items are not illustrated**

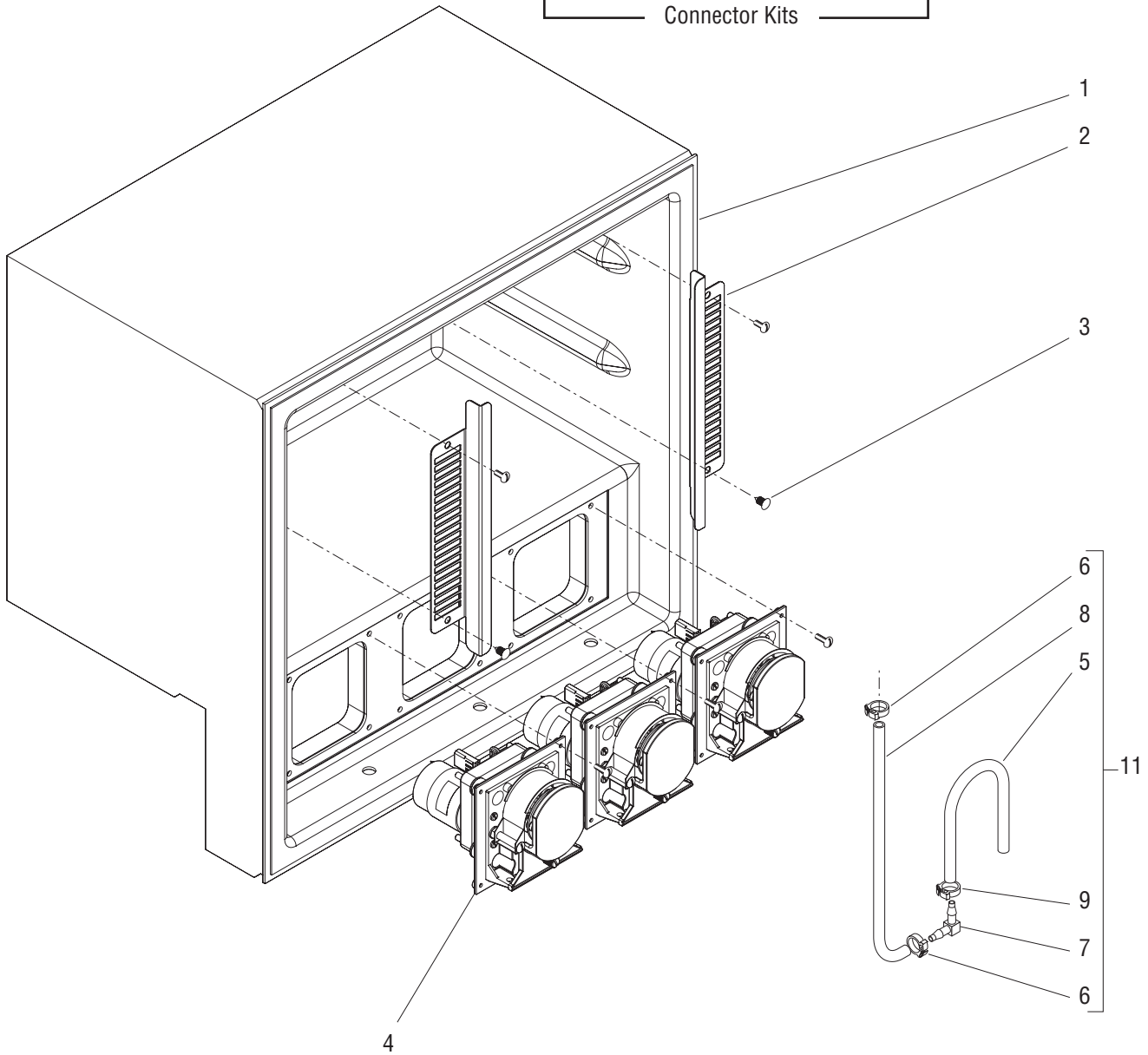
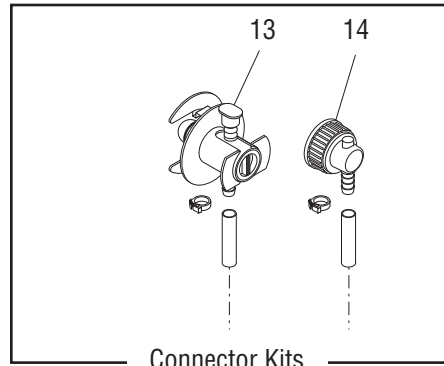
19	40540.1001	1	Kit, Retrofit Door Hinge LCR-3 HV
----	------------	---	-----------------------------------

\* Indicates the part number listed is for reference only. See DESCRIPTION for possible service replacement.



# CABINET ASSY

# LCR-3 HV



## CABINET ASSY

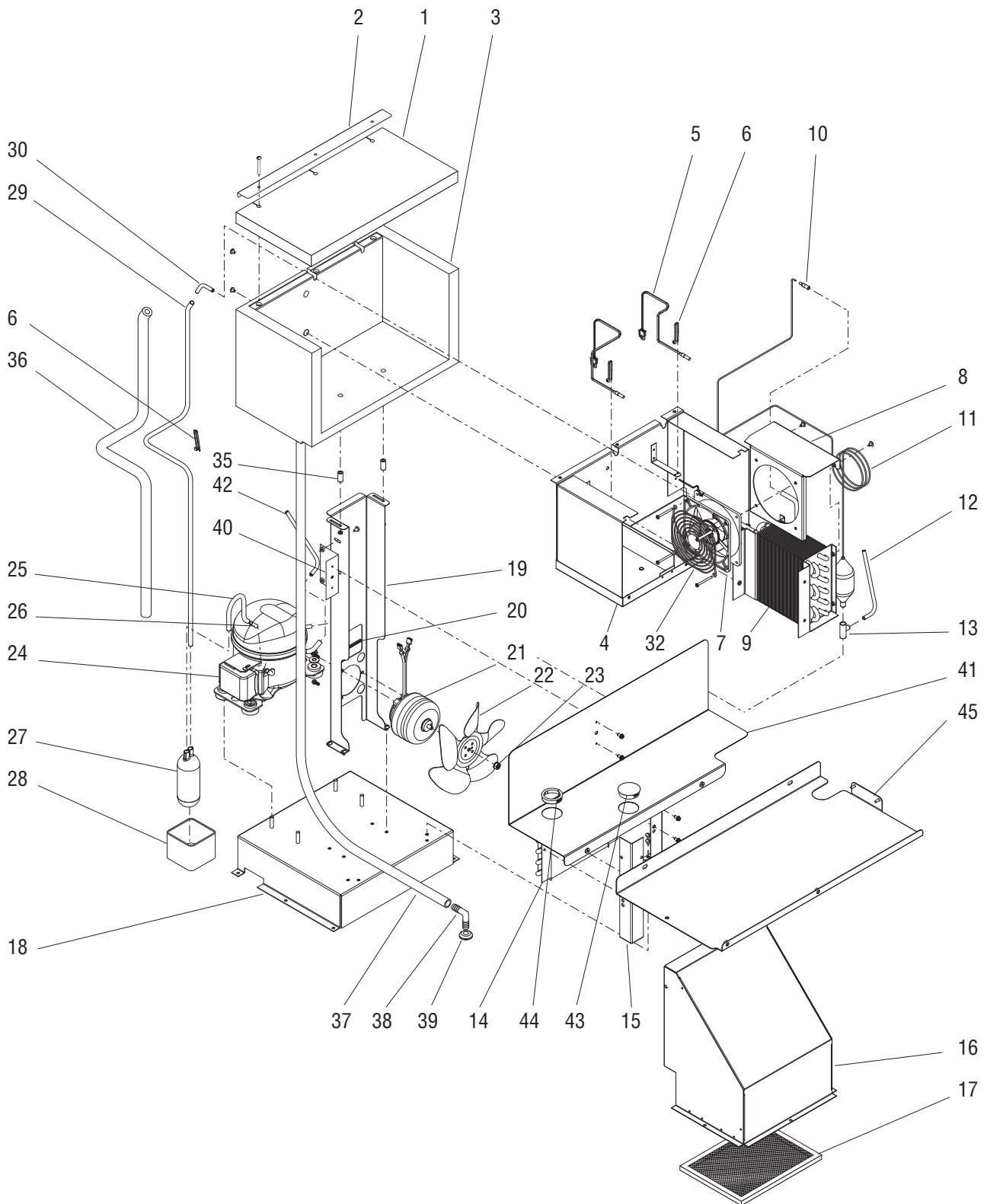
ITEM	PART NO.	QTY.	DESCRIPTION
1		1	Cabinet Assy, Foamed*
2		2	Cover, Vent*
	01315.0000	2	Screw, Truss Head, Slotted #8-32 x .38"
3	36149.0000	2	Fastener
4	-----	3	Pump Assy (See PUMP ASSY)
	01317.0000	12	Screw, Truss Head, Slotted #8-32 x .50"
5	28755.1007	1	Tube, Norprene .25" ID x 9.0"
6	12422.0011	2	Clamp .40/.45"
7	32656.0000	1	Fitting, Elbow .25" x .38" barb
8		1	Tube, Silicone .25" ID x 12.5" (Order item 15)
		1	Tube, Silicone .25" ID x 26.0" (Order item 15)
9	12422.0001	1	Clamp .59/.66"
10			
11	41235.1000	1	Tube Kit (Includes 3 each of items 5 - 9 & 12)(12.5" Tube)
	41235.1001	1	Tube Kit (Includes 3 each of items 5 - 9 & 12)(26.0" Tube)
12	M2531.0001	-	Lube Compound .30 oz.
13	33160.0000	1	Connector
14	35057.0001	1	Connector
15	11707.1000	-	Tube, Silicone .25" ID x 12.0" (Use as required)
	11707.1001	-	Tube, Silicone .25" ID x 36.0" (Use as required)
	11707.1002	-	Tube, Silicone .25" ID x 120.0" (Use as required)
16	40800.0201	-	Tube & Adapter Kit (Includes 3 each of items 14 & 11)
	40800.0205	-	Tube Kit (Includes 3 of items 11)(26.0" Tube)(Used in Reduced Flow Rate applications)

\* Indicates the part number listed is for reference only. See DESCRIPTION for possible service replacement.



# REFRIGERATION COMPONENTS (CUBIGEL GD40ME)

## LCR-3 HV



P4023.30

## REFRIGERATION COMPONENTS (CUBIGEL GD40ME)

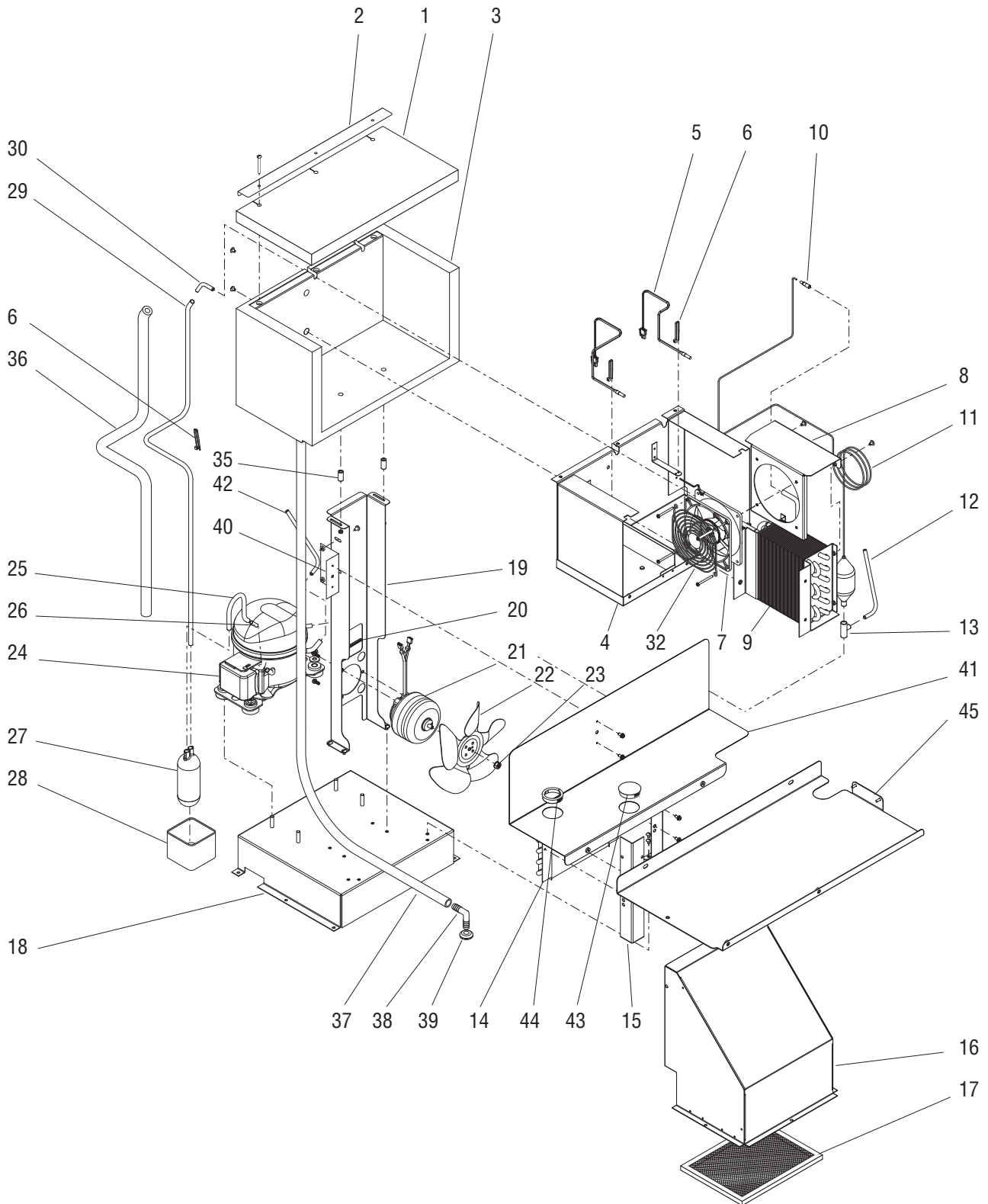
ITEM	PART NO.	QTY.	DESCRIPTION
1	40255.0000	1	Foam, Evaporator Top
2	40256.0000	1	Strap
	01384.0002	3	Screw, Truss Head, Slotted #8-32 x 2.0"
3	40541.0000	1	Foam, Evaporator*
	01311.0001	2	Screw, Truss Head, Locking #8-32 x .25"
	00906.0000	2	Nut, Hex #6-32
4		1	Pan, Evaporator*
5	34803.1000	2	Sensor
6	00617.0000	3	Cable Tie
7	33297.0002	1	Fan
	02370.0003	4	Screw, Pan Head, Slotted #6-32 x 1.50"
8	40889.0000	1	Bracket, Evaporator Fan
	01311.0001	2	Screw, Truss Head, Locking #8-32 x .25"
9		1	Evaporator*
	02335.0001	2	Screw, Hex Crimptite #8-32 x .375"
10	28925.0000	1	Adapter, Reducer (Requires brazing to install)
11	35176.0000	1	Filter Dryer (Requires brazing to install)
12	38937.0000	1	Tube, Process (Requires brazing to install)
13	00396.0002	1	Tee, Reducer (Requires brazing to install)
14	29951.0004	1	Condenser
	02335.0001	4	Screw, Hex, Crimptite #8 x .38"
15	40234.0000	2	Bracket, Condenser Mtg
	01311.0001	4	Screw, Truss Head, Locking #8-32 x .25"
16	40241.0000	1	Air Duct
	01311.0001	3	Screw, Truss Head, Locking #8-32 x .25"
	00908.0000	3	Nut, Hex #8-32
	01311.0000	2	Screw, Truss Head #8-32 x .25"
	00970.0000	2	Nut, Keps #8-32
17	35164.1001	1	Air Filter Assy (Includes Velcro® Straps)
18	40232.0002	1	Base, Refrigeration
	00908.0000	6	Nut, Hex #8-32
19	40220.0000	1	Panel, Fan Mtg
	01311.0000	4	Screw, Truss Head #8-32 x .25"
20		1	Edging, Adhesive Lined 2.5" (Order item 47)
21	33603.0003	1	Motor, 115V
	33603.0004	1	Motor, 230V
	27243.0000	3	Screw
22	33602.0000	1	Blade, Fan
23	23700.0000	1	Nut, Keps .25-20

(Continued)

\* Indicates the part number listed is for reference only. See DESCRIPTION for possible service replacement.



(Continued)



## REFRIGERATION COMPONENTS (CUBIGEL GD40ME)

ITEM	PART NO.	QTY.	DESCRIPTION
24	-----	1	Compressor (See COMPRESSOR COMPONENTS)
		4	Washer, Flat*
	00901.0000	4	Nut, Hex .25-20
25			
26	34212.0000	1	Tube (Requires brazing to install)
27	32776.0000	1	Accumulator (Requires brazing to install)
28	41259.0000	1	Cup, Condensate
29		1	Tube (Requires brazing to install)*
30	51996.0000	1	Tube (Requires brazing to install)
31			
32	34010.0001	1	Guard
33			
34			
35	01533.0010	2	Spacer
	00906.0000	2	Nut, Hex #8-32
36		-	Tape, Insulating (Order item 46)
37		1	Tube, Silicone .313"ID x 36.0" (Order item 48)
38	33623.0000	1	Elbow
39	02536.0000	1	Grommet
40	34979.0001	1	Bracket
	01311.0001	2	Screw, Truss Head, Locking #8-32 x .25"
41	43060.0000	1	Shield
	01311.0001	3	Screw, Truss Head, Locking #8-32 x .25"
42	36019.0001	1	Tube, Low Side (Requires brazing to install)
43	43090.0000	1	Plug
44	43091.0000	1	Bushing
45	43062.0001	1	Shield, Circuit Board
	01311.0000	2	Screw, Truss Head #8-32 x .25" (Front)
	01311.0001	2	Screw, Truss Head, Locking #8-32 x .25" (Rear)

**The following items are not illustrated**

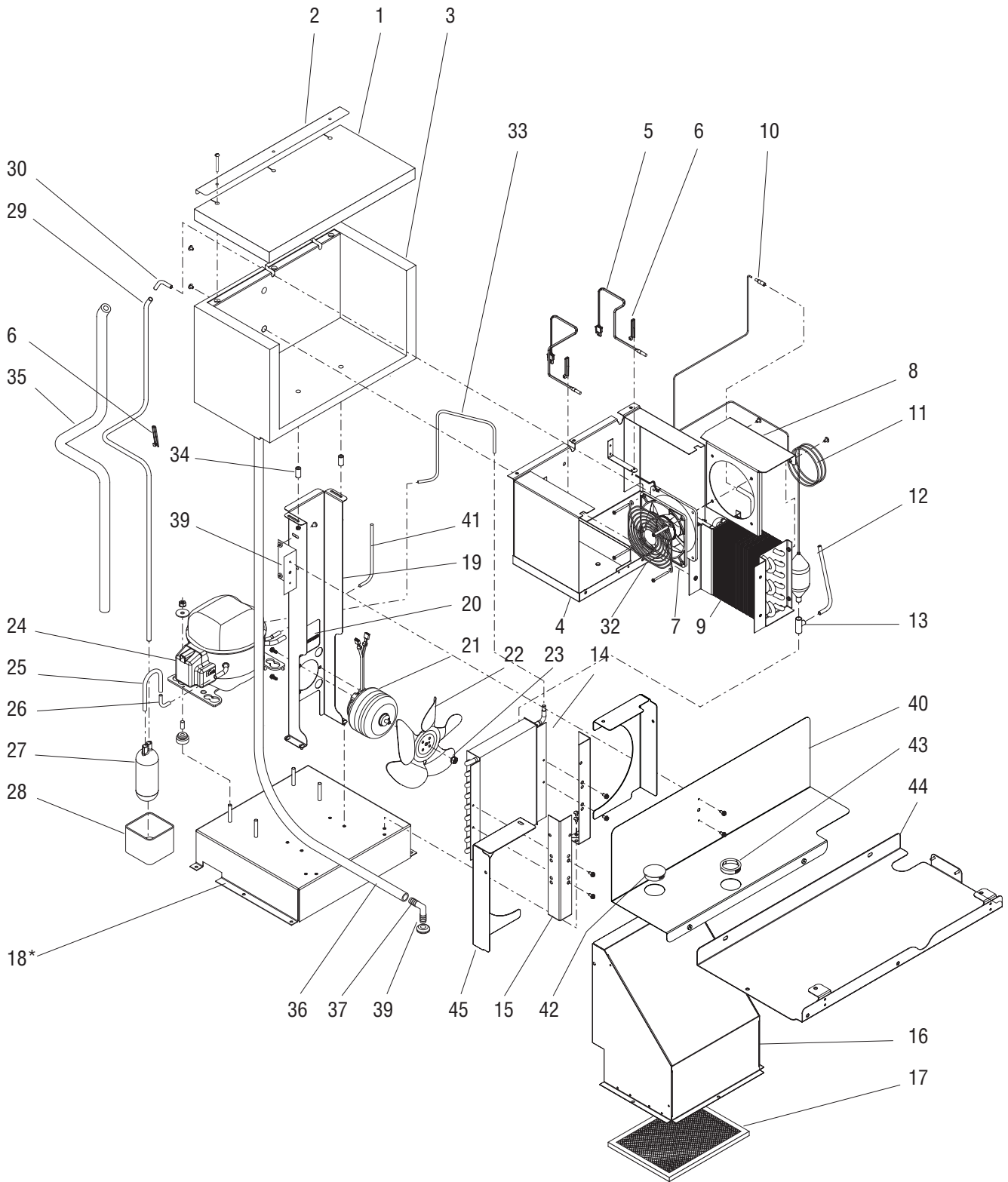
46	M2546.1000	-	Tape, Insulating (30.0 ft roll use as required)
47	41122.0001	1	Wiring Harness, Compressor
48	38278.1002	-	Edging, Adhesive Lined 36.0" (Use as required)
49	28526.1001	1	Tube, Silicone .313"ID x 36.0" (Use as required)

\* Indicates the part number listed is for reference only. See DESCRIPTION for possible service replacement.



# REFRIGERATION COMPONENTS (LG COMPRESSOR)

## LCR-3 HV



## REFRIGERATION COMPONENTS (LG COMPRESSOR)

ITEM	PART NO.	QTY.	DESCRIPTION
1	40255.0000	1	Foam, Evapoator Top
2	40256.0000	1	Strap
	01384.0002	3	Screw, Truss Head, Slotted #8-32 x 2.0"
3	40541.0000	1	Foam, Evaporator*
	01311.0001	2	Screw, Truss Head, Locking #8-32 x .25"
	00906.0000	2	Nut, Hex #6-32
4		1	Pan, Evaporator*
5	34803.1000	2	Sensor
6	00617.0000	3	Cable Tie
7	33297.0002	1	Fan
	02370.0003	4	Screw, Pan Head, Slotted #6-32 x 1.50"
8	40889.0000	1	Bracket, Evaporator Fan
	01311.0001	2	Screw, Truss Head, Locking #8-32 x .25"
9		1	Evaporator*
	02335.0001	2	Screw, Hex, Crimptite #8 x .375"
10	28925.0000	1	Adapter, Reducer (Requires brazing to install)
11	35176.0000	1	Filter Dryer (Requires brazing to install)
12	38937.0000	1	Tube, Process (Requires brazing to install)
13	00396.0002	1	Tee, Reducer (Requires brazing to install)
14	29951.0004	1	Condenser
	02335.0001	4	Screw, Hex, Crimptite #8 x .38"
15	40234.0000	2	Bracket, Condenser Mtg
	01311.0001	4	Screw, Truss Head, Locking #8-32 x .25"
16	40241.0000	1	Air Duct
	01311.0001	3	Screw, Truss Head, Locking #8-32 x .25"
	00908.0000	3	Nut, Hex #8-32
	01311.0000	2	Screw, Truss Head #8-32 x .25"
	00970.0000	2	Nut, Keps #8-32
17	35164.1001	1	Air Filter Assy (Includes Velcro® Straps)
18	40232.0001	1	Base, Refrigeration (No longer Available)
19	40220.0000	1	Panel, Fan Mtg
	01311.0000	4	Screw, Truss Head #8-32 x .25"
20		1	Edging, Adhesive Lined 2.5" (Order item 48)
21	33603.0003	1	Motor, 115V
	33603.0004	1	Motor, 230V
	27243.0000	3	Screw
22	33602.0000	1	Blade, Fan
23	23700.0000	1	Nut, Keps .25-20

(Continued)

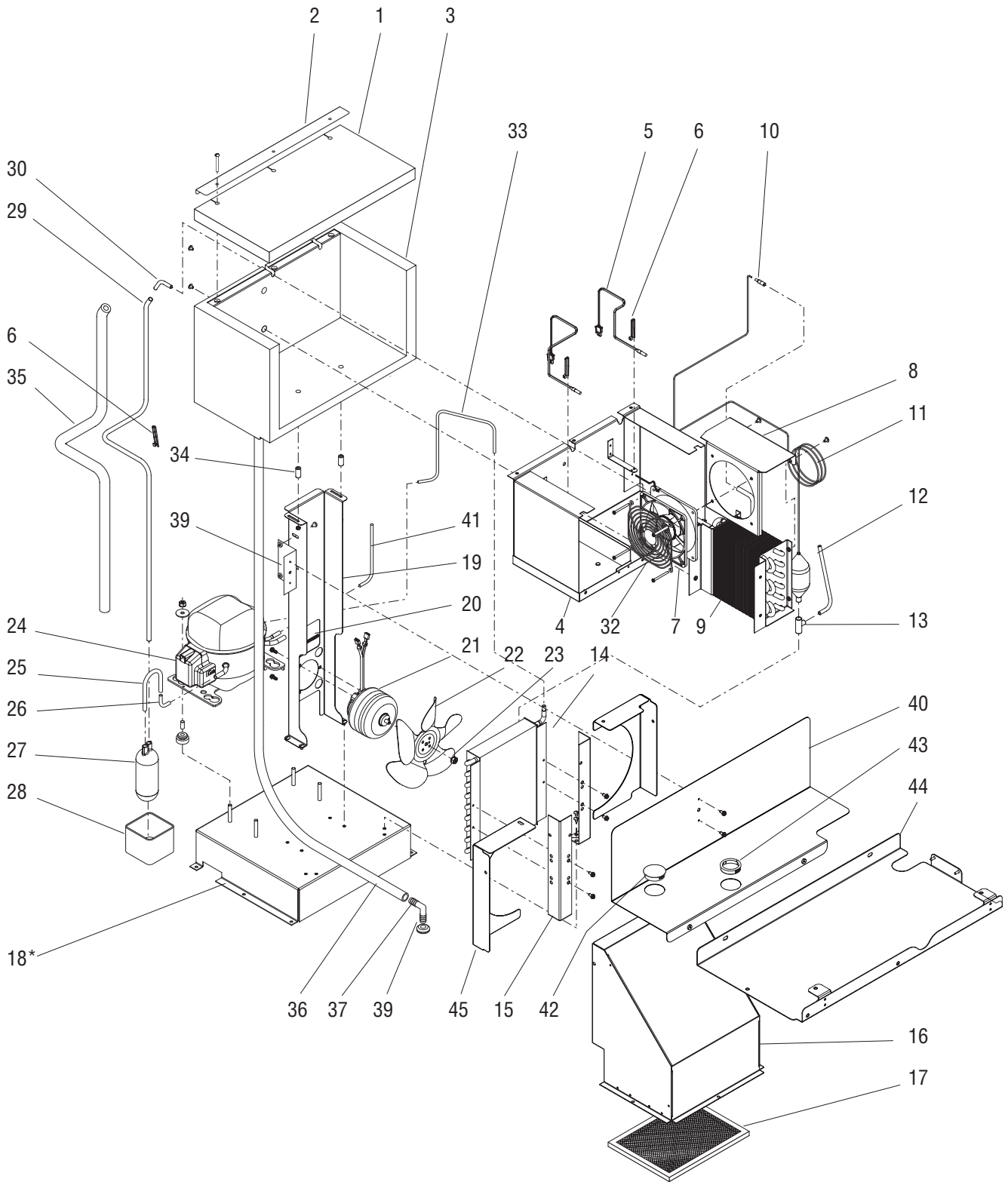
\* Indicates the part number listed is for reference only. See DESCRIPTION for possible service replacement.



# REFRIGERATION COMPONENTS (LG COMPRESSOR)

## LCR-3 HV

(Continued)



## REFRIGERATION COMPONENTS (LG COMPRESSOR)

ITEM	PART NO.	QTY.	DESCRIPTION
24	-----	1	Compressor (See COMPRESSOR COMPONENTS)
		4	Washer, Flat*
	00901.0000	4	Nut, Hex .25-20
25		1	Tube (Requires brazing to install)*
26		1	Tube (Requires brazing to install)*
27	32776.0000	1	Accumulator (Requires brazing to install)
28	41259.0000	1	Cup, Condensate
29		1	Tube (Requires brazing to install)*
30	51996.0000	1	Tube (Requires brazing to install)
31		1	Tube (Requires brazing to install)*
32	34010.0001	1	Guard
33		1	Tube (Requires brazing to install)*
34	01533.0010	2	Spacer
	00906.0000	2	Nut, Hex #8-32
35		-	Tape, Insulating (use as required)*
36		1	Tube, Silicone .313"ID x 36.0" (Order item 49)
37	33623.0000	1	Elbow
38	02536.0000	1	Grommet
39	34979.0001	1	Bracket
	01311.0001	2	Screw, Truss Head, Locking #8-32 x .25"
40	43060.0000	1	Shield
	01311.0001	3	Screw, Truss Head, Locking #8-32 x .25"
41	38937.0000	1	Tube, Low Side (Requires brazing to install)
42	43090.0000	1	Plug
43	43091.0000	1	Bushing
44	43062.0001	1	Shield, Circuit Board
	43062.0002	1	Shield, Circuit Board (Models with improved left front access panel)
	01311.0000	2	Screw, Truss Head #8-32 x .25" (Front)
	01311.0001	2	Screw, Truss Head, Locking #8-32 x .25" (Rear)
45	50085.0001	1	Shroud, LH
	50086.0001	1	Shroud, RH
	01315.0000	3	Screw, Truss Head, Slotted #8-32 x .38"

**The following items are not illustrated**

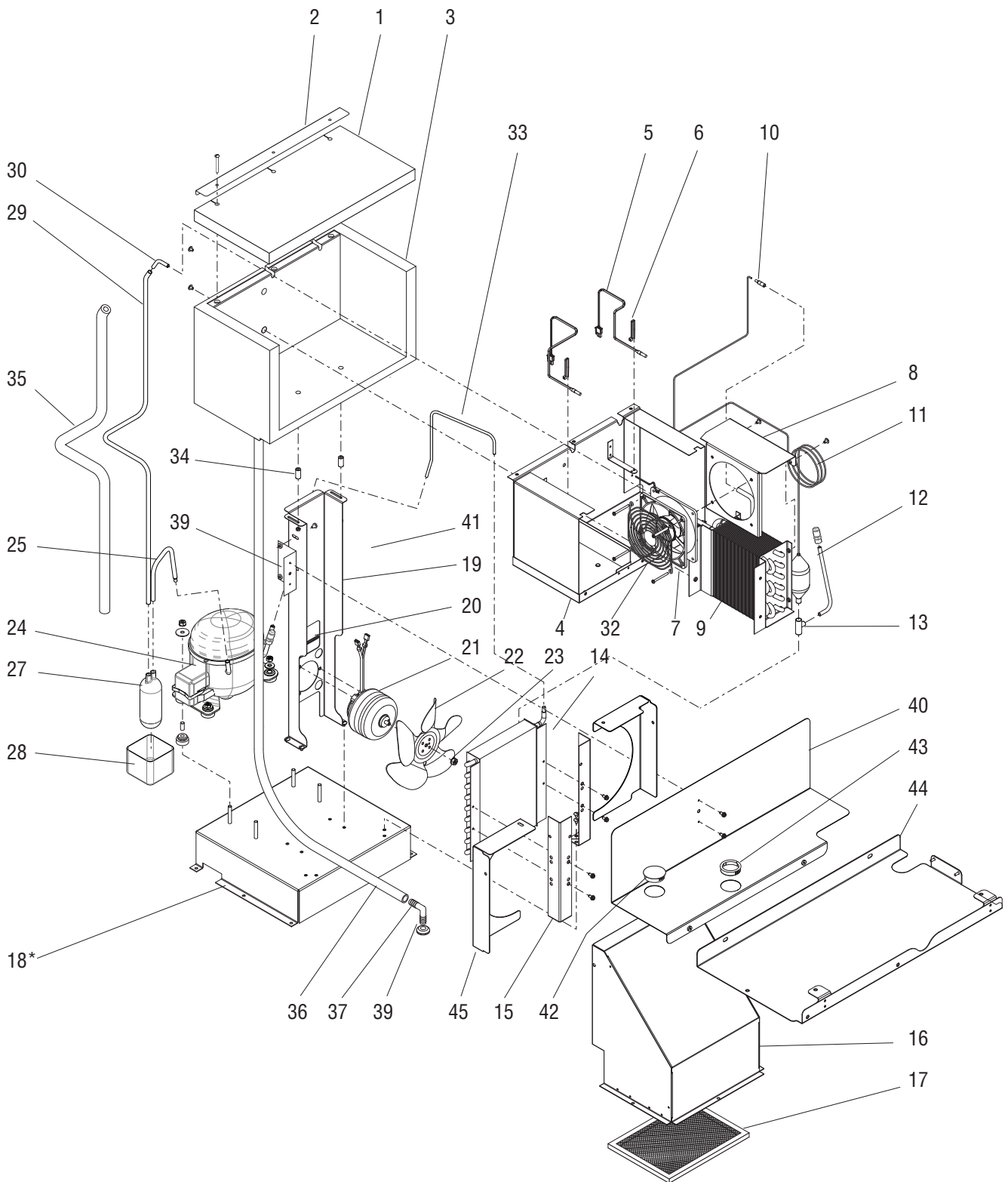
46	M2546.1000	-	Tape, Insulating (30.0 ft roll)
47	41122.0002	1	Wiring Harness, Compressor
48	38278.1002	-	Edging, Adhesive Lined 36.0" (Use as required)
49	28526.1001	1	Tube, Silicone .313"ID x 36.0" (Use as required)
50	52890.0000	1	Wiring Harness, Fan/Compressor Power

\* Indicates the part number listed is for reference only. See DESCRIPTION for possible service replacement.



# REFRIGERATION COMPONENTS (CUBIGEL B38G5L)

## LCR-3 HV



## REFRIGERATION COMPONENTS (CUBIGEL B38G5L)

ITEM	PART NO.	QTY.	DESCRIPTION
1	40255.0000	1	Foam, Evapoator Top
2	40256.0000 01384.0002	1 3	Strap Screw, Truss Head, Slotted #8-32 x 2.0"
3	40541.0000 01311.0001 00906.0000	1 2 2	Foam, Evaporator* Screw, Truss Head, Locking #8-32 x .25" Nut, Hex #6-32
4		1	Pan, Evaporator*
5	34803.1000	2	Sensor
6	00617.0000	3	Cable Tie
7	33297.0002 02370.0003	1 4	Fan Screw, Pan Head, Slotted #6-32 x 1.50"
8	40889.0000 01311.0001	1 2	Bracket, Evaporator Fan Screw, Truss Head, Locking #8-32 x .25"
9	02335.0001	1 2	Evaporator* Screw, Hex, Crimptite #8 x .375"
10	28925.0000	1	Adapter, Reducer (Requires brazing to install)
11	35176.0000	1	Filter Dryer (Requires brazing to install)
12	38937.0000	1	Tube, Process (Requires brazing to install)
13	00396.0002	1	Tee, Reducer (Requires brazing to install)
14	29951.0004 02335.0001	1 4	Condenser Screw, Hex, Crimptite #8 x .38"
15	40234.0000 01311.0001	2 4	Bracket, Condenser Mtg Screw, Truss Head, Locking #8-32 x .25"
16	40241.0000 01311.0001 00908.0000 01311.0000 00970.0000	1 3 3 2 2	Air Duct Screw, Truss Head, Locking #8-32 x .25" Nut, Hex #8-32 Screw, Truss Head #8-32 x .25" Nut, Keps #8-32
17	35164.1001	1	Air Filter Assy (Includes Velcro® Straps)
18			
19	40220.0000 01311.0000	1 4	Panel, Fan Mtg Screw, Truss Head #8-32 x .25"
20		1	Edging, Adhesive Lined 2.5" (Order item 48)
21	33603.0003 33603.0004 27243.0000	1 1 3	Motor, 115V Motor, 230V Screw
22	33602.0000	1	Blade, Fan
23	23700.0000	1	Nut, Keps .25-20

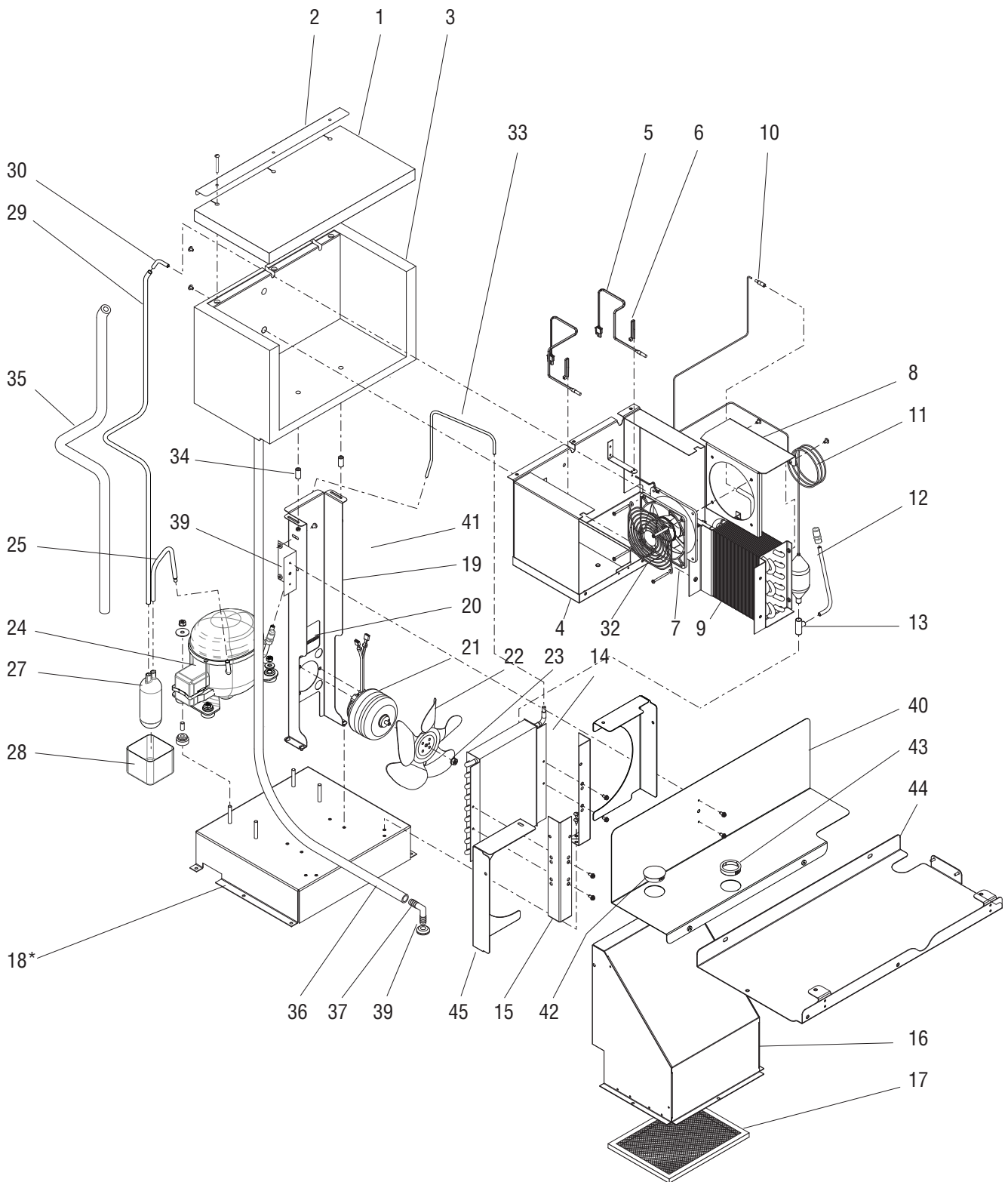
(Continued)

\* Indicates the part number listed is for reference only. See DESCRIPTION for possible service replacement.



# REFRIGERATION COMPONENTS (CUBIGEL B38G5L)

## LCR-3 HV



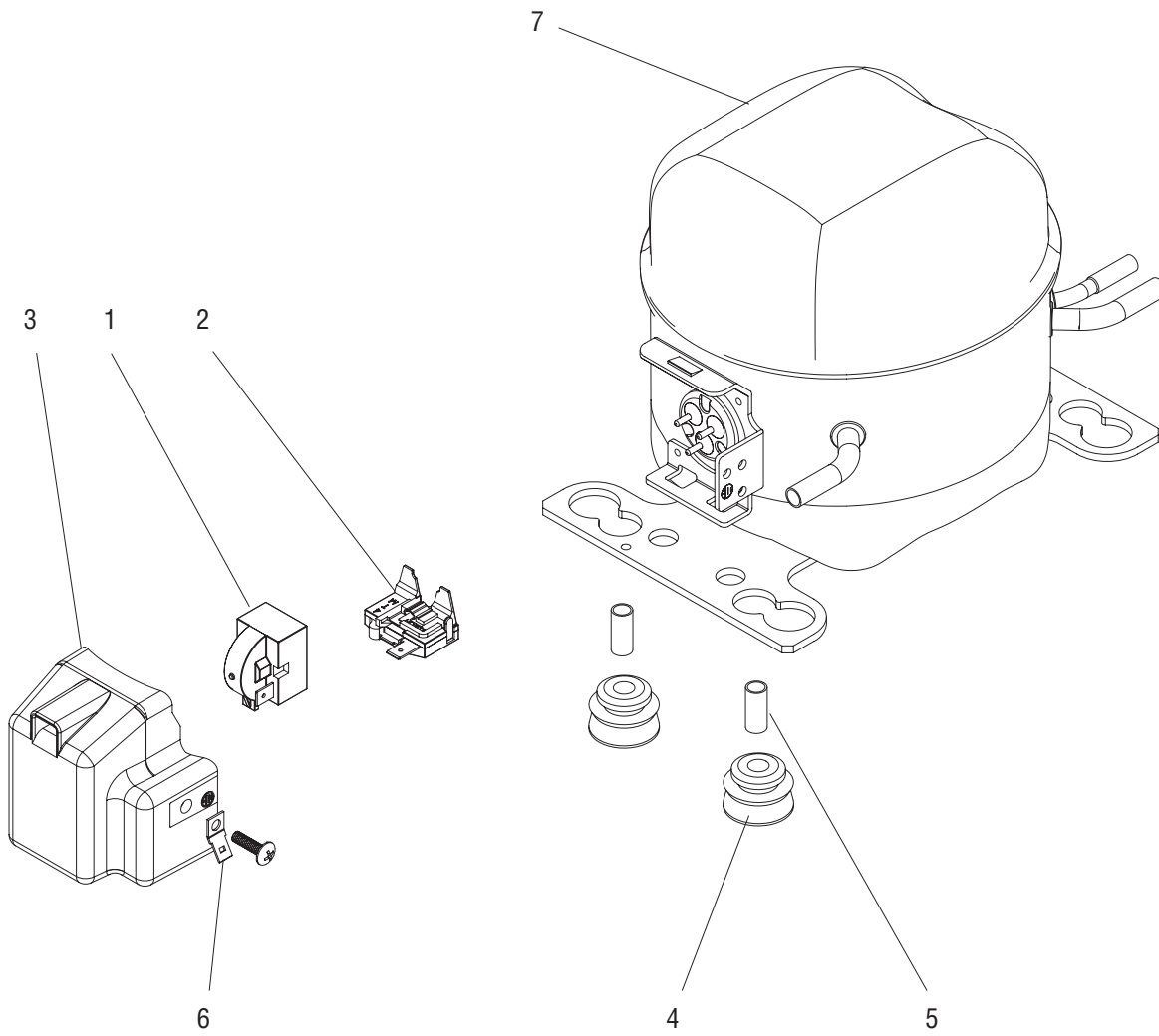
## REFRIGERATION COMPONENTS (CUBIGEL B38G5L)

ITEM	PART NO.	QTY.	DESCRIPTION
24	-----	1	Compressor (See COMPRESSOR COMPONENTS)
		4	Washer, Flat*
	00901.0000	4	Nut, Hex .25-20
25		1	Tube (Requires brazing to install)*
26			
27	32776.0000	1	Accumulator (Requires brazing to install)
28	41259.0000	1	Cup, Condensate
29		1	Tube (Requires brazing to install)*
30	51996.0000	1	Tube (Requires brazing to install)
31		1	Tube (Requires brazing to install)*
32	34010.0001	1	Guard
33		1	Tube (Requires brazing to install)*
34	01533.0010	2	Spacer
	00906.0000	2	Nut, Hex #8-32
35		-	Tape, Insulating (use as required)*
36		1	Tube, Silicone .313"ID x 36.0" (Order item 49)*
37	33623.0000	1	Elbow
38	02536.0000	1	Grommet
39	34979.0001	1	Bracket
	01311.0001	2	Screw, Truss Head, Locking #8-32 x .25"
40	43060.0000	1	Shield
	01311.0001	3	Screw, Truss Head, Locking #8-32 x .25"
41	38937.0000	1	Tube, Low Side (Requires brazing to install)
42	43090.0000	1	Plug
43	43091.0000	1	Bushing
44	43062.0001	1	Shield, Circuit Board
	43062.0002	1	Shield, Circuit Board (Models with improved left front access panel)
	01311.0000	2	Screw, Truss Head #8-32 x .25" (Front)
	01311.0001	2	Screw, Truss Head, Locking #8-32 x .25" (Rear)
45	50085.0001	1	Shroud, LH
	50086.0001	1	Shroud, RH
	01315.0000	3	Screw, Truss Head, Slotted #8-32 x .38"

**The following items are not illustrated**

46	M2546.1000	-	Tape, Insulating (30.0 ft roll)
47	41122.0002	1	Wiring Harness, Compressor
48	38278.1002	-	Edging, Adhesive Lined 36.0" (Use as required)
49	28526.1001	1	Tube, Silicone .313"ID x 36.0" (Use as required)
50	52890.0000	1	Wiring Harness, Fan/Compressor Power

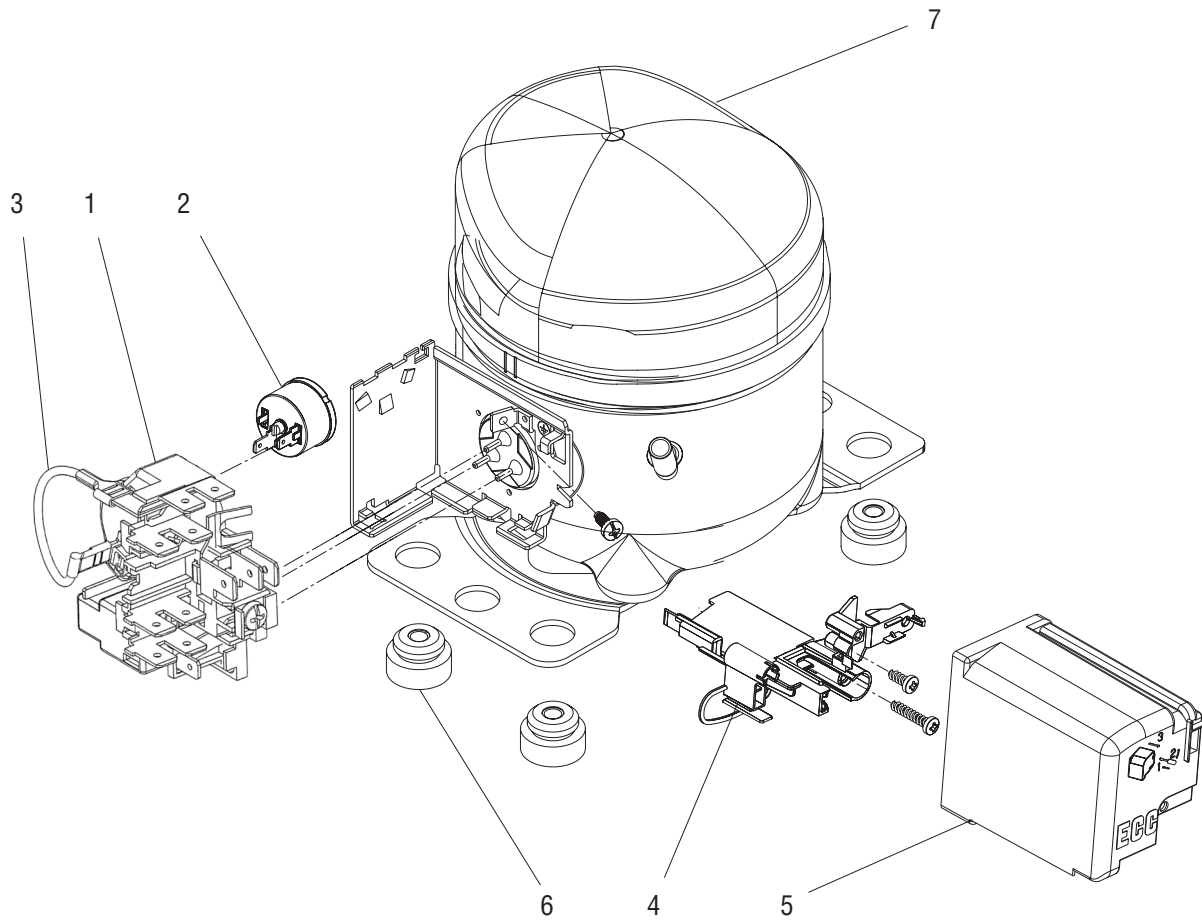
\* Indicates the part number listed is for reference only. See DESCRIPTION for possible service replacement.



## COMPRESSOR COMPONENTS (LG)

ITEM	PART NO.	QTY.	DESCRIPTION
1	45899.0000	1	Relay, Compressor 120V
2	45898.0000	1	Overload Protector 120V
3	45908.0000	1	Cover
	45909.0000	1	Screw M4 x .61" lg.
4	45897.0000	4	Grommet
5	45896.0000	4	Sleeve
6	36528.0000	1	Terminal Adapter, Grounding
7	53850.1002	1	Kit, Compressor Replacement

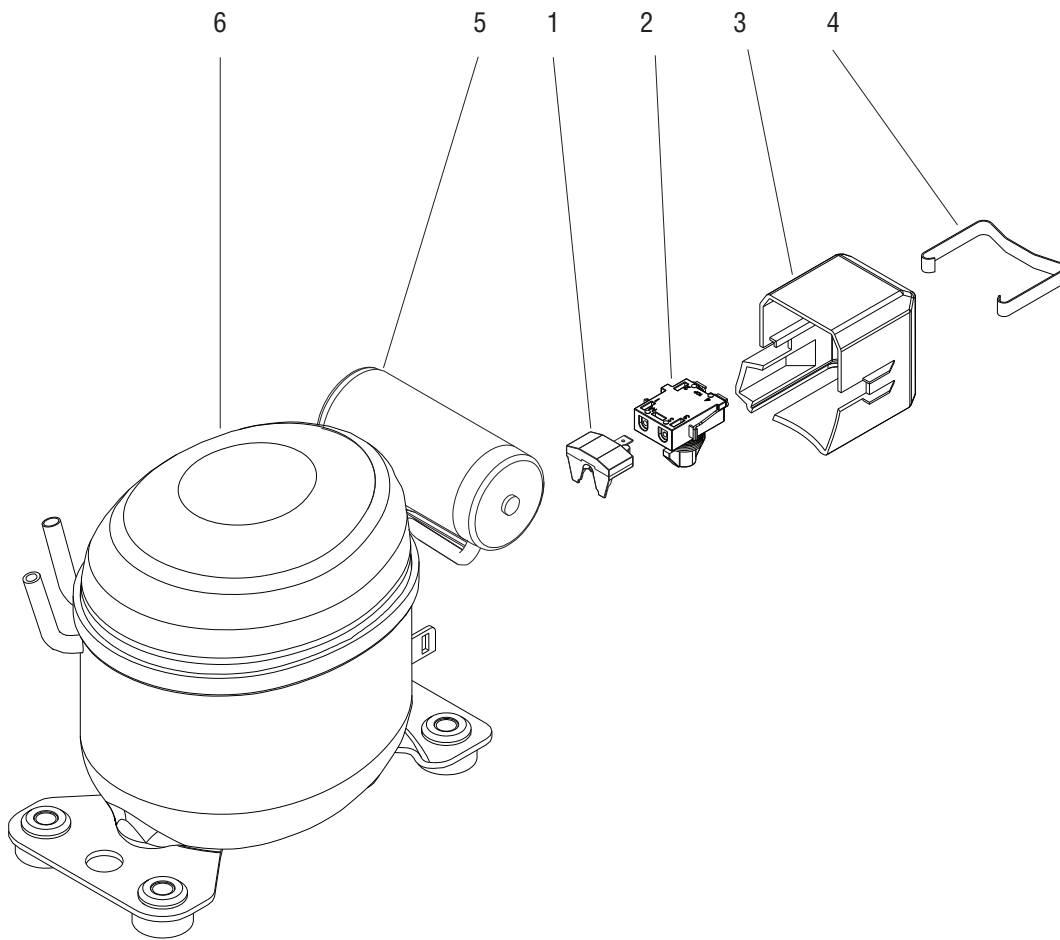
\* Indicates the part number listed is for reference only. See DESCRIPTION for possible service replacement.



## COMPRESSOR COMPONENTS (CUBIGEL GD40ME)

ITEM	PART NO.	QTY.	DESCRIPTION
1	39912.0002	1	Relay, Compressor 120V
2	39908.0002	1	Overload Protector 120V
3	41398.0000	1	Cable
4	41397.0000	1	Strain Relief
5	39907.0000	1	Cover
6	41396.0000	1	Mounting Kit (Includes 4 Grommets and Sleeves)
7	53850.1002	1	Kit, Compressor Replacement

\* Indicates the part number listed is for reference only. See DESCRIPTION for possible service replacement.



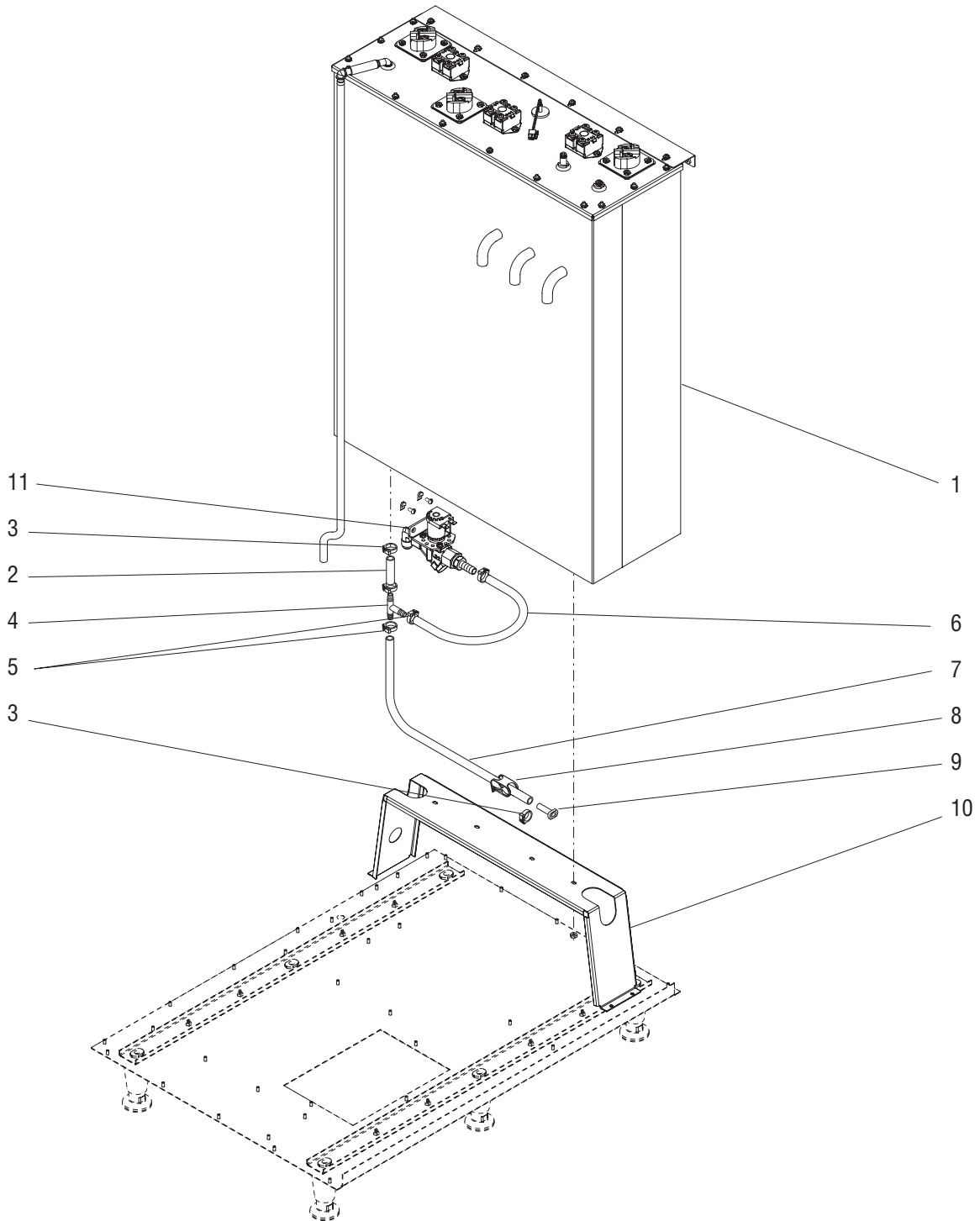
## COMPRESSOR COMPONENTS (CUBIGEL B38G5L)

ITEM	PART NO.	QTY.	DESCRIPTION
1	53852.0000	1	Relay, Compressor 120V
2	53851.0000	1	Overload Protector 120V
3	53847.0000	1	Cover
4	53848.0000	1	Clip
5	53849.0000	1	Capacitor
6	53850.1002	1	Kit, Compressor Replacement

**The following items are not illustrated**

7	52243.0000	1	Wiring Harness, B38G5L Compressor/Cap Extension
---	------------	---	---

\* Indicates the part number listed is for reference only. See DESCRIPTION for possible service replacement.



## TANK & MOUNTING

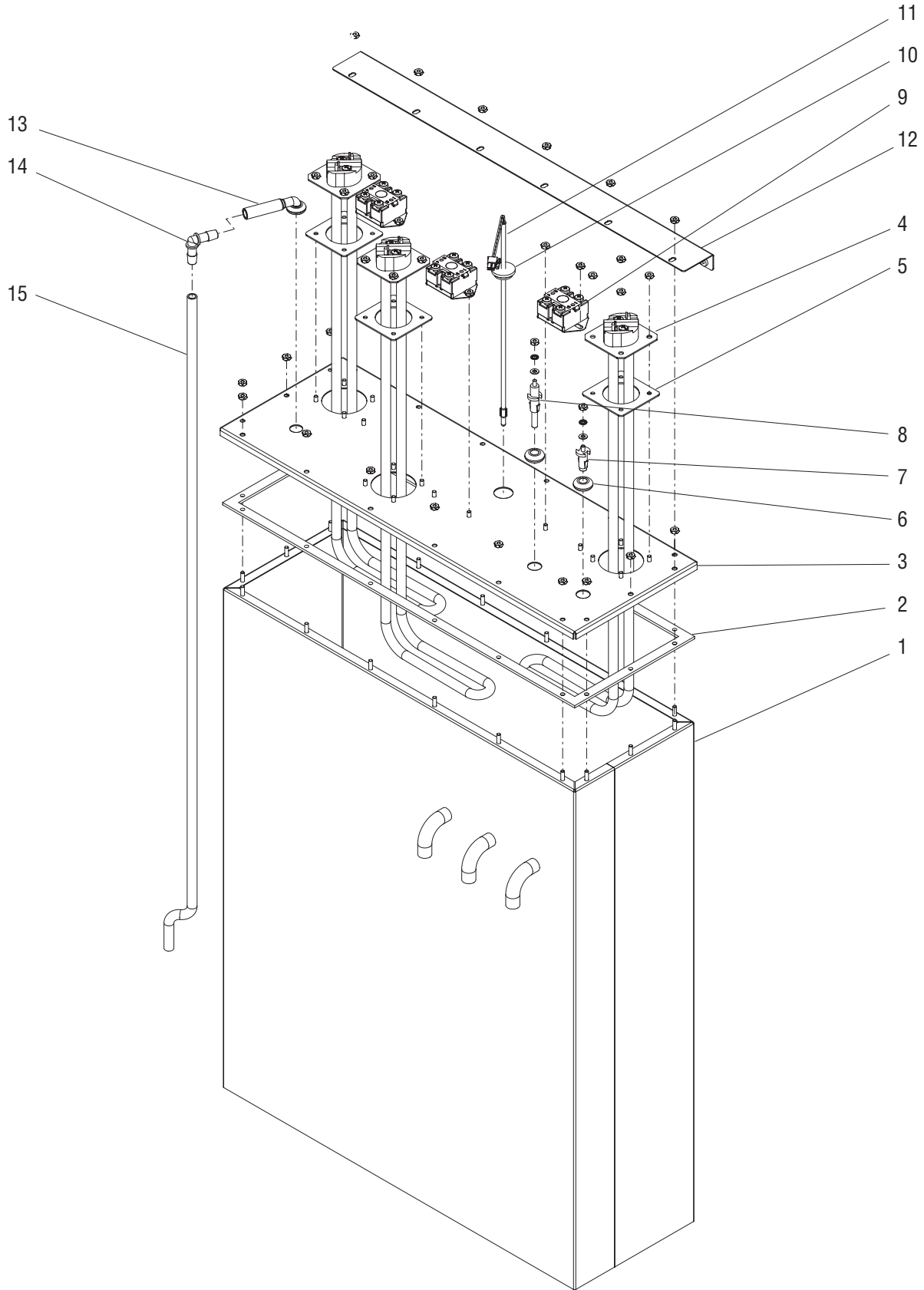
ITEM	PART NO.	QTY.	DESCRIPTION
1	----- 00910.0000	1 4	Tank Assy (See TANK ASSY) Nut, Hex #10-32
2		1	Tube, Silicone .38" x 2.0" (Order item 12)
3	12422.0001	3	Clamp .59/.66"
4	38948.0001	1	Fitting, Tee .38" barb
5	12422.0005	3	Clamp .62/.71"
6		1	Tube, Silicone .38" x 11.0" (Order item 12)
7		1	Tube, Silicone .38" x 21.0" (Order item 12)
8	11630.0001	1	Clip, Shut-off
9	34392.0000	1	Plug, Hose
10	40226.0000 00908.0000	1 4	Bracket, Lower Tank Nut, Hex #8-32
11	34679.1002 37297.0001 39142.0000	1 1 2	Valve Assy (Includes fittings) Elbow, .38 FLR x .75 Hose THD Screw, TRH M4 x 7mm"
12	20976.1000 20976.1001	- -	Tube, Silicone .38" x 12.0" (Use as required) Tube, Silicone .38" x 30.0" (Use as required)

\* Indicates the part number listed is for reference only. See DESCRIPTION for possible service replacement.



# TANK ASSY

# LCR-3 HV



P4026.50

## TANK ASSY

ITEM	PART NO.	QTY.	DESCRIPTION
1	40222.0000	1	Tank Assy
2	40223.0000	1	Gasket, Tank Lid
3	40224.0000	1	Tank Lid
	00908.0000	12	Nut, Hex #8-32
4	12451.1001	3	Heater, Tank (Includes item 5)
	00908.0000	12	Nut, Hex #8-32
5	12398.0002	3	Gasket, Tank Heater
6	02536.0000	2	Grommet
7	07412.1002	1	Probe, Liquid Level
	00908.0000	1	Nut, Hex #8-32
	20203.0100	1	Lockwasher, Internal-tooth #8
	01501.0000	1	Washer
8	20936.1000	1	Probe, Liquid Level
	00908.0000	1	Nut, Hex #8-32
	20203.0100	1	Lockwasher, Internal-tooth #8
	01501.0000	1	Washer
9	23717.0003	3	Limit Thermostat, Double
	00908.0000	6	Nut, Hex #8-32
10	12570.0000	1	Grommet
11	41179.1000	1	Probe, Temperature
12	40530.0000	1	Bracket, Upper Tank
	00908.0000	6	Nut, Hex #8-32
13	38969.0001	1	Fitting, Tank Vent
14	03102.0000	1	Elbow SST
15	03236.1001	1	Tube, Silicone .312" x 36.0"

The following items are not illustrated

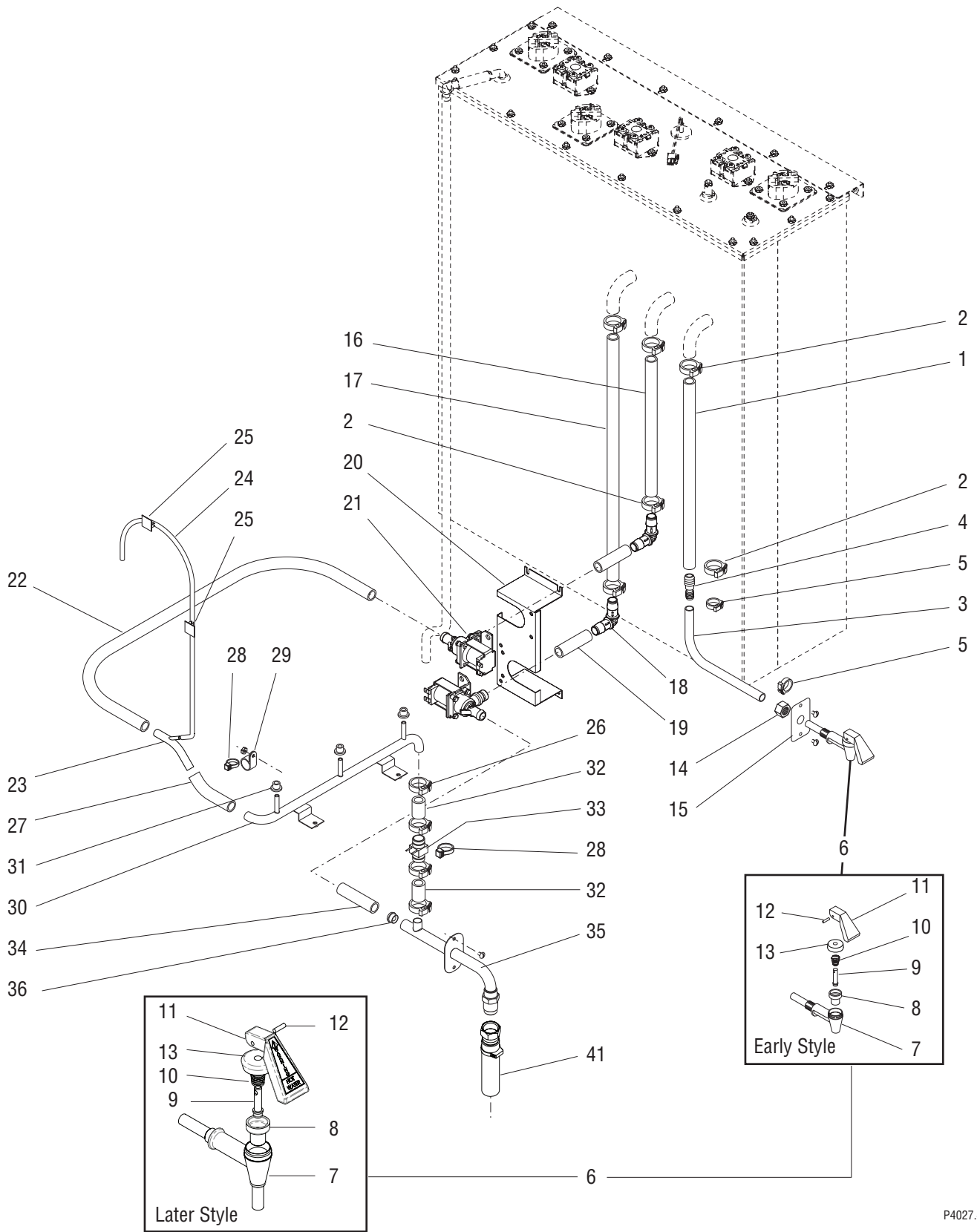
16	41106.0000	2	Wiring harness, Thermostat
17		2	Lead, 12 AWG BLU 9.0", Tank Heater to Limit Thermostat*
18	21012.0017	2	Lead, 12 AWG RED 7.0", Tank Heater to Limit Thermostat
19	21012.0018	2	Lead, 12 AWG BLK 5.5", Tank Heater to Limit Thermostat
20	40873.0000	1	Tank Assy. (Includes items 1 - 15)

\* Indicates the part number listed is for reference only. See DESCRIPTION for possible service replacement.



# DISPENSE VALVES & LINES

## LCR-3 HV



P4027.40

## DISPENSE VALVES & LINES

ITEM	PART NO.	QTY.	DESCRIPTION
1		1	Tube, Silicone .50" ID x 12.0" (Order item 38)
2	12422.0012	9	Clamp .81/.97"
3		1	Tube, Silicone .38" ID x 7.5" (Order item 39)
4	36099.0000	1	Reducer
5	12422.0001	1	Clamp .59/.66"
6	29075.0002	1	Faucet, Hot Water (Includes items 7 - 12, Early style)
	29075.0010	1	Faucet Assy, Ext w/ Solid Pin (Includes 7-12, Later Style)
7		1	Body, Faucet (Order item 6, Later Style)
8	02766.0000	1	Cup, Seat
9	13054.0000	1	Stem Faucet
10	02595.0000	1	Spring, Faucet
11	02861.0103	1	Handle, Faucet Red Wrn Hot AM
12	02858.0000	1	Pin, Spring-Coiled .125DIA .5LG (Early Style)
	02858.0002	1	Pin, Solid .125DIA .5LG (Later Style)
13	02854.0000	1	Bonnet, Faucet
14	29264.0000	1	Nut, Hex .50-20 UNF
15	39827.0001	1	Plate, Faucet
	01311.0000	2	Screw, Truss Head #8-32 x .25"
16		1	Tube, Silicone .50" ID x 11.0" (Order item 38)
17		1	Tube, Silicone .50" ID x 15.0" (Order item 38)
18	38553.0000	2	Fitting, Elbow .50" barb
19		2	Tube, Silicone .50" ID x 3.6" (Order item 38)
20	40878.0000	1	Bracket, Valve Mtg
	01311.0000	4	Screw, Truss Head #8-32 x .25"
21	34202.0000	2	Valve, Dispense
	01311.0000	4	Screw, Truss Head #8-32 x .25"
22		1	Tube, Silicone .38" ID x 19.0" (Order item 39)
23	37858.0000	1	Elbow 45° w/vent port
24		1	Tube, Silicone .125 ID x 29.0" (Order item 40)
25	11154.0000	2	Clamp, Adhesive Back
26	12422.0009	1	Clamp .71/.80"
27		1	Tube, Silicone .50" ID x 4.0" (Order item 38)

(Continued)

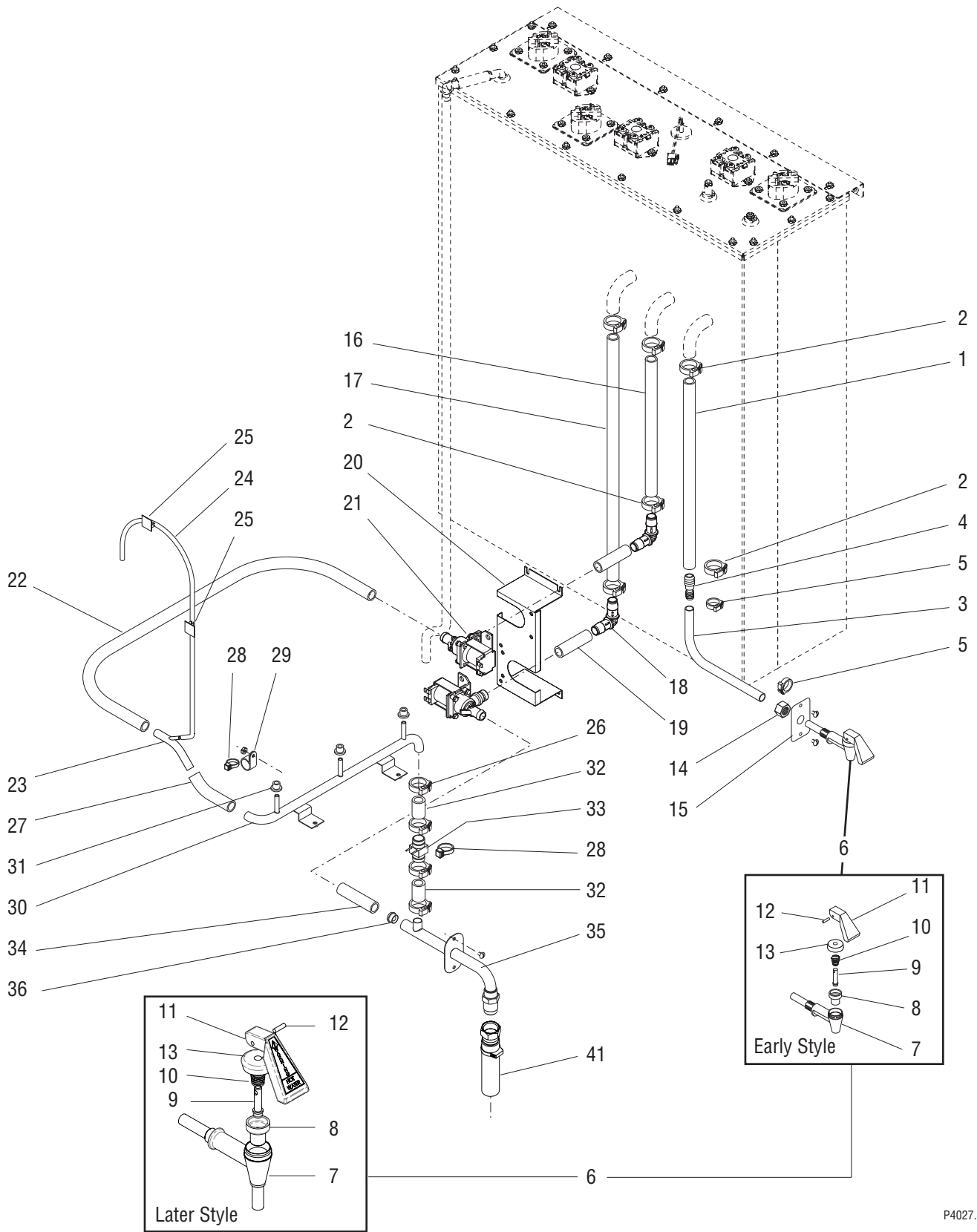
\* Indicates the part number listed is for reference only. See DESCRIPTION for possible service replacement.



# DISPENSE VALVES & LINES

## LCR-3 HV

(Continued)



P4027.40

## DISPENSE VALVES & LINES

ITEM	PART NO.	QTY.	DESCRIPTION
28	36329.0000	2	Cable Tie*
29	00603.0000	1	Clamp, Nylon
	00910.0000	1	Nut, Hex #10-32
30	40237.0001	1	Manifold
	01311.0000	2	Screw, Truss Head #8-32 x .25"
31	32957.0000	3	Bushing
32		2	Tube, Silicone .50" ID x 1.1" (Order item 38)
33	40543.1000	1	Sensor, Conductance
34		1	Tube, Silicone .38" ID x 3.0" (Order item 39)
35	40239.0003	1	Dispense Tube
	01317.0003	2	Screw, Truss Head, Slotted #8-32 x .38"
36	34807.0002	1	Restrictor (Used in Reduced Flow Rate applications)

**The following items are not illustrated**

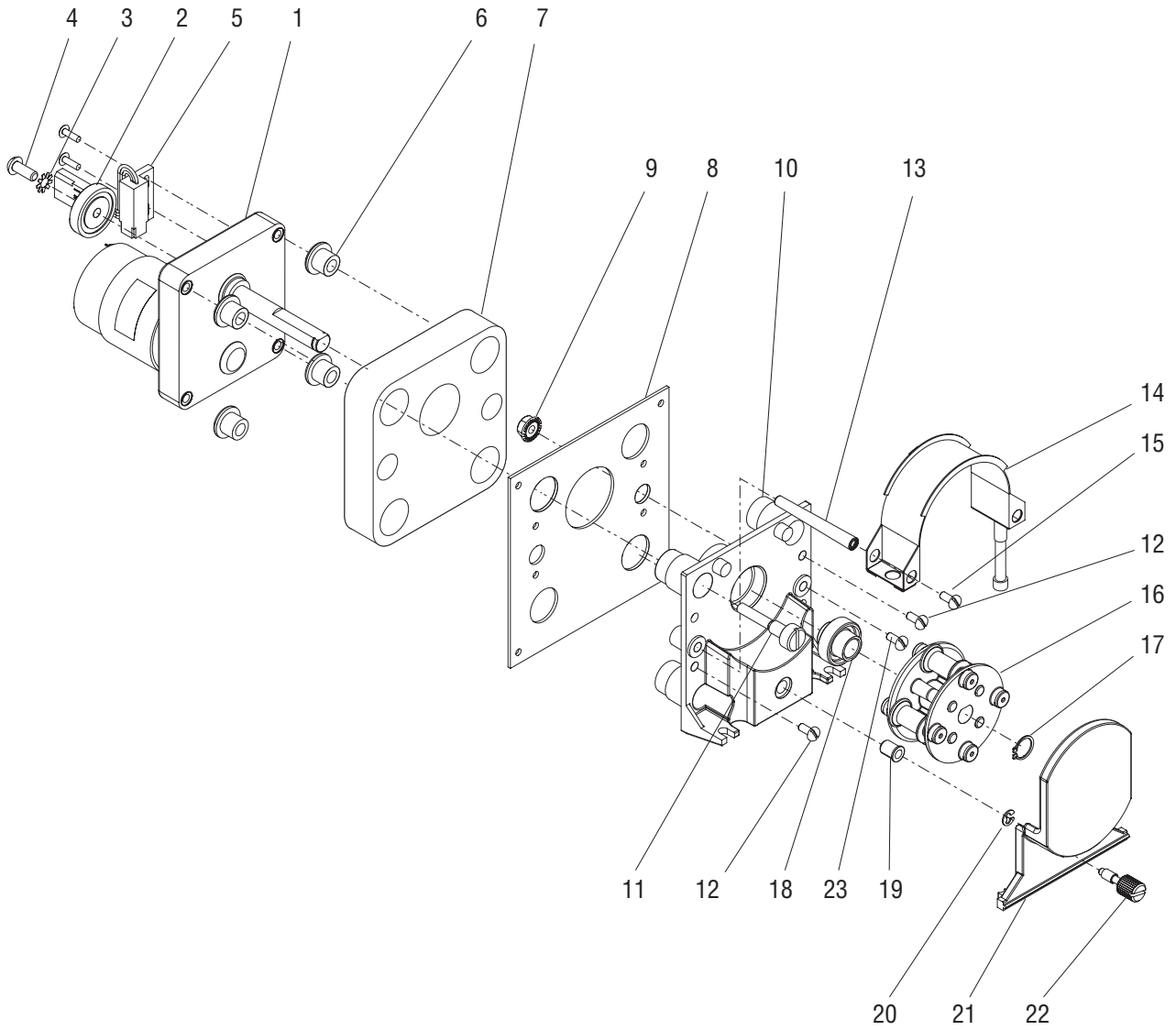
37	28706.0002	-	Faucet Repair Kit (Includes items 8-12)
38	32591.1001	-	Tube, Silicone .50" ID x 12.0" (Use as required)
	32591.1002	-	Tube, Silicone .50" ID x 36.0" (Use as required)
39	20976.1000	-	Tube, Silicone .38" ID x 12.0" (Use as required)
	20976.1001	-	Tube, Silicone .38" ID x 30.0" (Use as required)
40	36630.1000	-	Tube, Silicone .38" ID x 12.0" (Use as required)
	36630.1001	-	Tube, Silicone .38" ID x 36.0" (Use as required)
41	43402.1001	-	Tube Kit (Used to fill large servers)
	43398.0000	-	Fitting, Swvl 5/8 Flare/HB-TP
	45893.1001	-	Tubing, PVC Spring Reinforced .75IDx36IN
	58108.0000	-	Clamp, 1/2" Hex Head Band Hose

\* Indicates the part number listed is for reference only. See DESCRIPTION for possible service replacement.



# PUMP ASSY

# LCR-3 HV



## PUMP ASSY

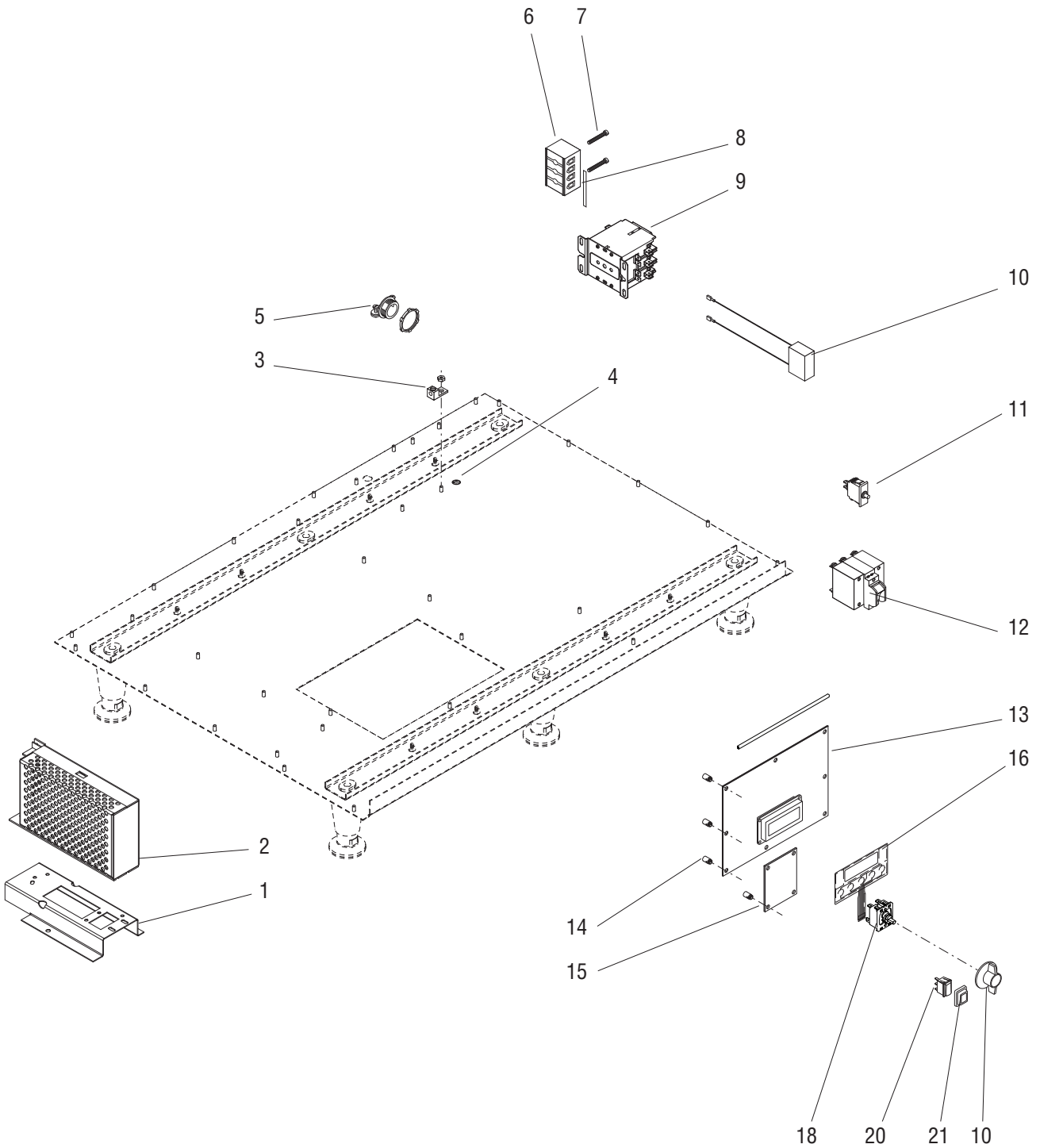
ITEM	PART NO.	QTY.	DESCRIPTION
-	40261.1001	1	Pump Assy (Includes items 1-24)
1	34536.0001	1	Motor
2	32654.0000	1	Magnet Hub
3	01512.0000	1	Lockwasher, External-tooth #10
4	01331.0004	1	Screw, Round Head, Slotted, Locking #10-32 x 0.5"
5	33608.1000	1	Sensor, RPM
	02336.0000	2	Screw, Truss Head, Slotted #4-40 x .38"
6	32957.0000	4	Bushing
7	40536.0000	1	Insulation, Pump*
8	40263.0002	1	Bracket, Front Mtg*
9	34765.0000	1	Nut, Flanged #10-32
10	34166.1002	1	Block Assy, Pump (Includes items 18 & 19)
11	32927.0000	4	Screw, Shoulder #10-32 UNF
12	02328.0003	4	Screw, Pan Head, Slotted #6-32 x .312"
13	32609.0000	1	Standoff, Pump Band
14	40030.1000	1	Compression Band Assy
15	01311.0001	1	Screw, Truss Head, Locking #8-32 x .25"
16	32706.1000	1	Rotor
17	32652.0000	1	Retaining Ring
18	33825.0000	1	Bearing
19	32928.0000	1	Insert, Threaded
20	34998.0000	1	E-ring, Retaining
21	34167.0000	1	Cover, Pump Block
22	34997.0000	1	Screw, Captive #10-32 x .625"
23	36149.0000	1	Fastener
24	00617.0000	1	Cable Tie (Not Illustrated)

\* Indicates the part number listed is for reference only. See DESCRIPTION for possible service replacement.



# ELECTRICAL COMPONENTS

# LCR-3 HV



## ELECTRICAL COMPONENTS

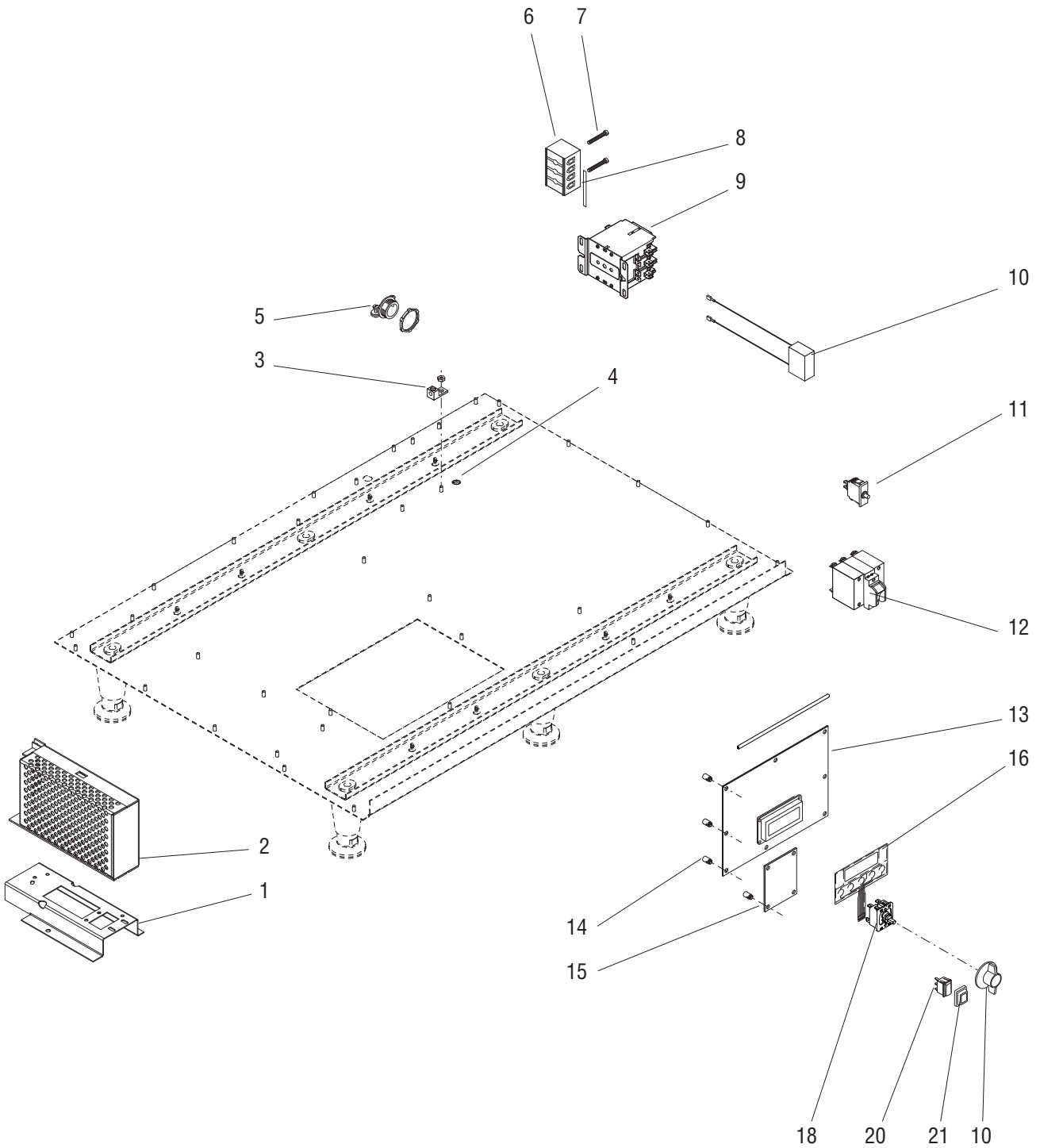
ITEM	PART NO.	QTY.	DESCRIPTION
1	51451.0000	1	Bracket, Power Supply
	00908.0000	2	Nut, Hex #8-32
2	33363.0006	1	Power Supply
	24003.0201	3	Screw, Pan Head M3 x 4mm
3	27705.0000	1	Lug, Terminal
	00908.0000	1	Nut, Hex #8-32
4	00824.0002	1	Decal, Grounding
5	01590.0001	1	Connector, Cable
6	21869.0000	1	Terminal Block, 4-pole
7	38030.0000	2	Screw, Phillips Head #8-32 x 1.25"
8	34588.0001	1	Decal, L1-L2-L3-N
9	38045.0001	1	Contactor, 3-pole
	01315.0000	2	ScrewTruss Head #8-32 x .38"
10	34808.0002	1	Capacitor, EMI Filter
11	34386.0000	1	Switch, Door Open
12	38894.0002	1	Switch, Master ON/OFF
	01308.0000	2	Screw, Truss Head #6-32 x .25" (Mounting)
	01327.0000	4	Screw, Pan Head #10-32 x .38" (Terminals)
	01512.0000	4	Lockwasher #10 (Terminals)
13	34197.1004	1	Circuit Board, Main
	38123.0000	4	Screw, Truss Head #6-32 x 1.0"
	00906.0000	4	Nut, Hex #6-32
14	29081.0003	12	Spacer
15	40894.1000	1	Circuit Board, Auxillary
	38123.0000	4	Screw, Truss Head #6-32 x 1.0"
	00906.0000	4	Nut, Hex #6-32
16	40901.0000	1	Switch, Membrane
17			
18	36710.0000	1	Switch, Rotary 3 Position
19	12246.0000	1	Knob, Rotary Switch
	02338.0000	1	Setscrew #8-32 x .25"
20	27437.0002	1	Switch, Selector
21	34390.0000	1	Cap, Selector Switch

(Continued)

\* Indicates the part number listed is for reference only. See DESCRIPTION for possible service replacement.



(Continued)



## ELECTRICAL COMPONENTS

ITEM	PART NO.	QTY.	DESCRIPTION
<b>The following items are not illustrated</b>			
22	36329.0000	1	Cable Tie*
23	36049.0000	1	Jumper
	42267.0002	1	Jumper (Used in Reduced Flow Rate applications)
24		1	Lead, 18AWG WHI, 8.0"*
25	41149.0001	1	Wiring Harness, Tank
	20203.0100	1	Lockwasher, Ground Location at Tank
26	41119.0001	1	Wiring Harness, Master Switch to Contactor
27	41120.0000	1	Wiring Harness, Terminal Block to Master Switch
28	41157.0002	1	Wiring Harness, Solenoid
29	41025.0001	1	Wiring Harness, Aux Circuit Board to Motor
30	41464.0000	1	Wiring Harness, Contactor to Terminal Block
31		1	Lead, GRN 10.0", Power Supply Grounding*
32		1	Lead, GRN 11.0", Compressor Grounding*
33	00617.0000	1	Cable Tie (Attaches solenoid harness to solenoid bracket)

\* Indicates the part number listed is for reference only. See DESCRIPTION for possible service replacement.