



LCR-2
LCR-2A
LCR-2 PC
LCR-2A PC



ILLUSTRATED PARTS CATALOG

Designs, materials, weights, specifications, and dimensions for equipment or replacement parts are subject to change without notice.

BUNN-O-MATIC CORPORATION

POST OFFICE BOX 3227

SPRINGFIELD, ILLINOIS 62708-3227

PHONE: (217) 529-6601 FAX: (217) 529-6644

www.bunn.com

Warranty statements and information can be found on our website. Please visit <https://commercial.bunn.com/support/warranty-lookup> for further details.

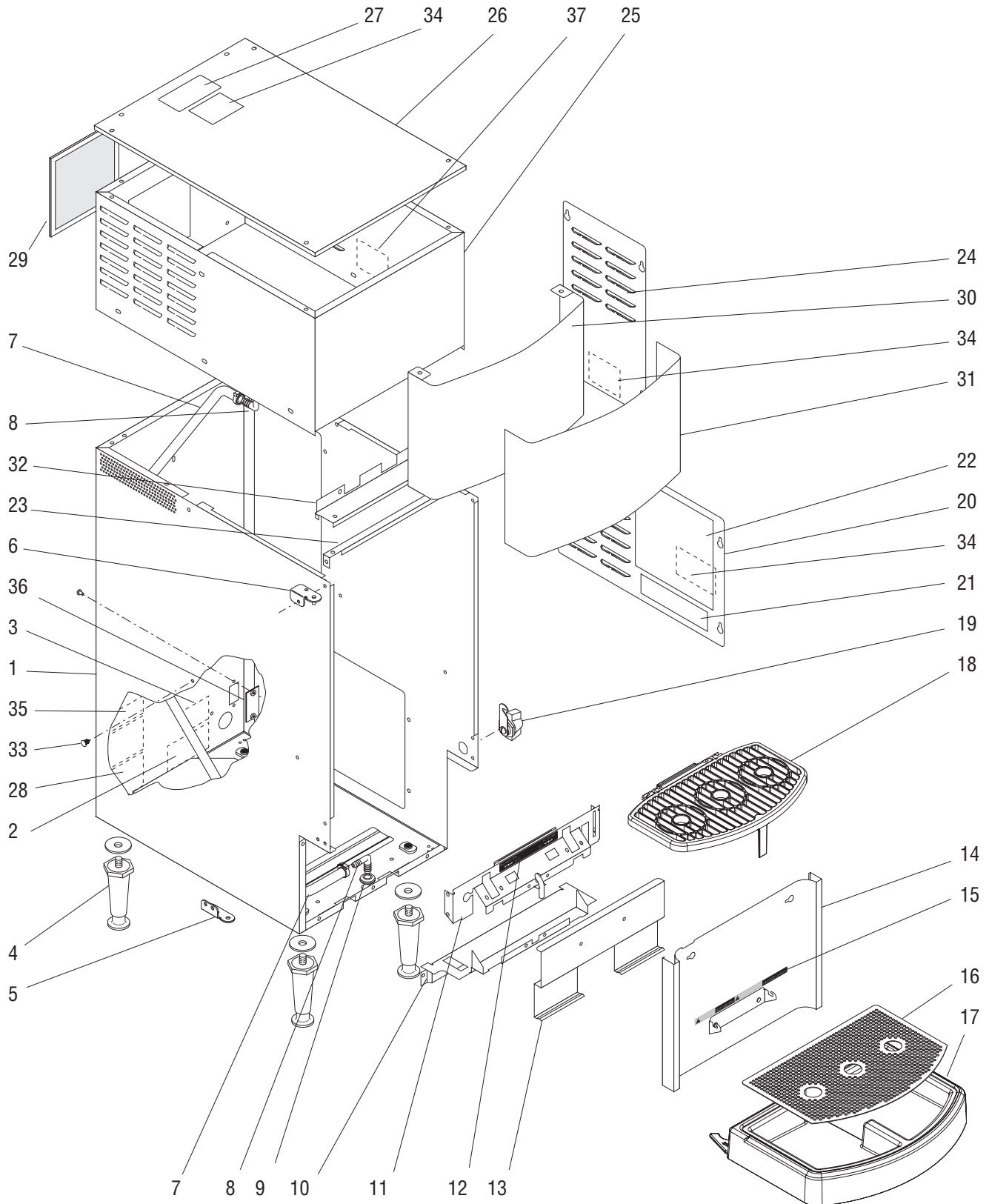
TABLE OF CONTENTS

TITLE	PAGE NO.
Housing & Panels	4
Door Assembly (Early Models)	8
Door Assembly (Late Models).....	8
Cabinet Assembly	12
Refrigeration Compartment.....	14
Compressor & Lines	16
Compressor Assembly.....	18
Tank Assembly.....	20
Inlet Valve Retrofit Kit For Early Housing & Inlet Valve For Later Housing.....	24
Dispense Valves & Lines.....	28
Pump Assembly.....	32
Electrical Controls	34



HOUSING & PANELS

LCR-2 LCR-2 PC



P2786

HOUSING & PANELS

ITEM	PART NO.	QTY.	DESCRIPTION
1	35825.0001*	1	Housing Assy BLK Single Piece (Not serviced. Order Decals separately)
	42276.0000*	1	Housing Assy BLK Multi Piece (Not serviced. Order Decals separately)
	01311.0003	29	Screw, Truss Head, Sltd. Blk #8-32 x .25" (Used to join panels & base)
2	00656.0001	1	Decal, Comply to Plumbing Code
3	00986.0002	1	Decal, Warning - Electrical
4	26528.0000	4	Leg 4.0" adj.
	01526.0001	4	Washer, Flat
5	34335.0002	1	Hinge, Lower Door
	01315.0005	2	Screw, Truss Head, Sltd. Blk #8-32 x .38"
6	34385.0001	1	Hinge, Upper Door .25" Pin length (Early model doors w/Bushing)
	34385.0003	1	Hinge, Upper Door .375" Pin length (Late model doors w/o Bushing)
	01315.0005	2	Screw, Truss Head, Sltd. Blk #8-32 x .38"
7	11707.0040*	1	Tube, Silicone .25" ID x 35.0" (Order item 39)
	28526.0020*	1	Tube, Silicone .313" ID x 35.0" (Order item 40)
	12422.0000	2	Clamp, Snap-Type .47/.54" I.D.
	12422.0001	2	Clamp, Snap-Type .59/.66" I.D.
8	32656.0000	2	Elbow .25" x .38" Barb (Early models w/ .25" ID Tube)
	37850.0000	2	Elbow .38" x .38" Barb (Late models w/ .313" ID Tube)
9	02536.0000	1	Grommet
10	34152.0003	1	Bracket
	01311.0003	3	Screw, Truss Head, Sltd. Blk #8-32 x .25"
	01382.0000	2	Screw, Truss Head, Sltd. Blk #6-32 x .38"
11	35188.0000	1	Bracket
	01315.0005	4	Screw, Truss Head, Sltd. Blk #8-32 x .38"
12	34783.0000	1	Decal, Dispense Platform
13	34366.0000	1	Bracket (Early Models)
14	39999.1000	1	Splash Panel w/Decal (Includes item 15)
	01315.0005	2	Screw, Truss Head, Sltd. Blk #8-32 x .38"
15	11646.0002	1	Decal, Warning - Hot Liquids
16	34379.0002	1	Cover, Drip Tray (See item 38)
17	38433.0000	1	Drip Tray (See item 38)
18	34821.1000	1	Cup Tray
19	34472.1000	1	Lock, Door (Includes Keys)
	28095.0000	1	Key Set
20	34186.1006	1	Panel w/Decals, Lower Access (Includes items 21, 22 & 34)
	01315.0005	4	Screw, Truss Head, Sltd. Blk #8-32 x .38"
21	34960.0000	1	Decal, Terminal Block Wiring (Not used on 3 Phase models)
	39762.0000	1	Decal, Terminal Block Wiring (Used on 3 Phase models)
	34960.0001	1	Decal, Terminal Block Wiring (Models w/ Master ON/OFF Switch)

(Continued)

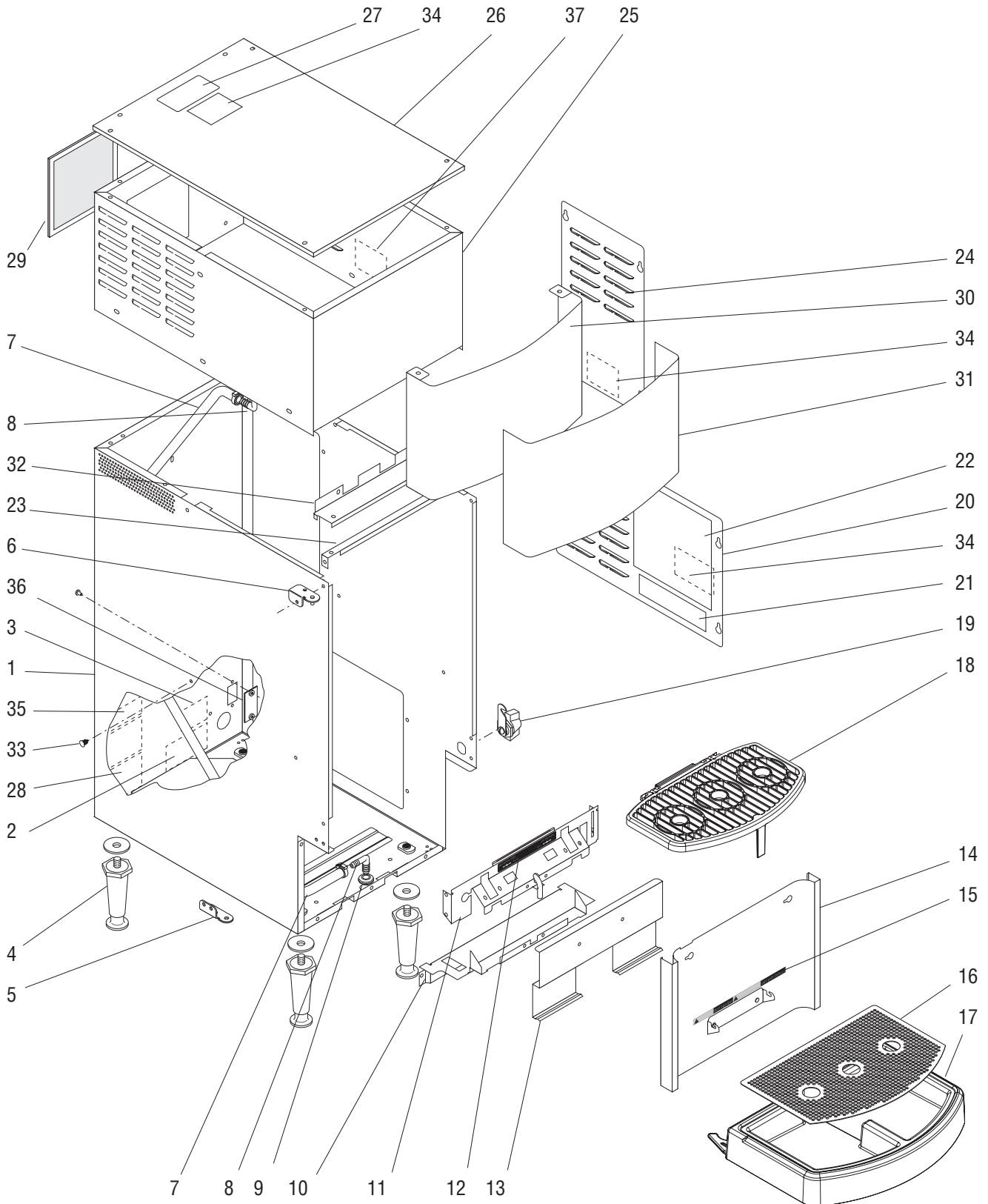
* Indicates the part number listed is for reference only. See DESCRIPTION for possible service replacement.



HOUSING & PANELS

LCR-2 LCR-2 PC

(Continued)



P2786

HOUSING & PANELS

ITEM	PART NO.	QTY.	DESCRIPTION
22	36025.0004	1	Schematic, Electrical (LCR-2, LCR-2C)
	36025.0001	1	Schematic, Electrical (LCR-2A)
	36025.0002	1	Schematic, Electrical (LCR-2A 3 Phase models)
23	34190.0000	1	Brace
	01311.0003	2	Screw, Truss Head, Sltd. Blk #8-32 x .25"
24	34194.1001	1	Panel w/Decal, Upper Access (Includes item 34)
	01315.0005	4	Screw, Truss Head, Sltd. Blk #8-32 x .38"
25	35883.0003	1	Housing, Refrigeration
	01315.0005	6	Screw, Truss Head, Sltd. Blk #8-32 x .38"
26	35884.1003	1	Cover, Top (Includes items 27 & 34)
	01315.0005	6	Screw, Truss Head, Sltd. Blk #8-32 x .38"
27	27442.0000	1	Decal, Warning - Moving Parts
28	28181.0003	1	Decal, Optional Field Wiring 120/208-240V
	29710.0014	1	Decal, Optional Field Wiring 230V
29	35833.0000	1	Filter, Air
30	35890.0001	1	Panel, Merchandise
31	36011.0000	1	Decal, Upper Hood
32	35829.0001	1	Cover, Top Front
	01315.0005	2	Screw, Truss Head, Sltd. Blk #8-32 x .38"
33	36149.0000	2	Fastener
34	37881.0000	3	Decal, No Serviceable Parts
35	33461.0008	1	Decal, Refrigerant Charge 4 oz
36	38820.0000	1	Plate, Cover (Not used on models w/ Master ON/OFF Switch)
	01308.0003	2	Screw, Truss Head, Locking BLK #6-32 x .25"
37	40054.0003	1	Decal, Clean Air Filter
38	34893.0001	-	Drip Tray Kit (Includes items 16 & 17)
39	11707.1000	-	Tube, Silicone .25" ID x 12.0" (Use as required)
	11707.1001	-	Tube, Silicone .25" ID x 36.0" (Use as required)
	11707.1002	-	Tube, Silicone .25" ID x 120.0" (Use as required)
40	28526.1000	-	Tube, Silicone .313" ID x 12.0" (Use as required)
	28526.1001	-	Tube, Silicone .313" ID x 36.0" (Use as required)
	28526.1002	-	Tube, Silicone .313" ID x 120.0" (Use as required)

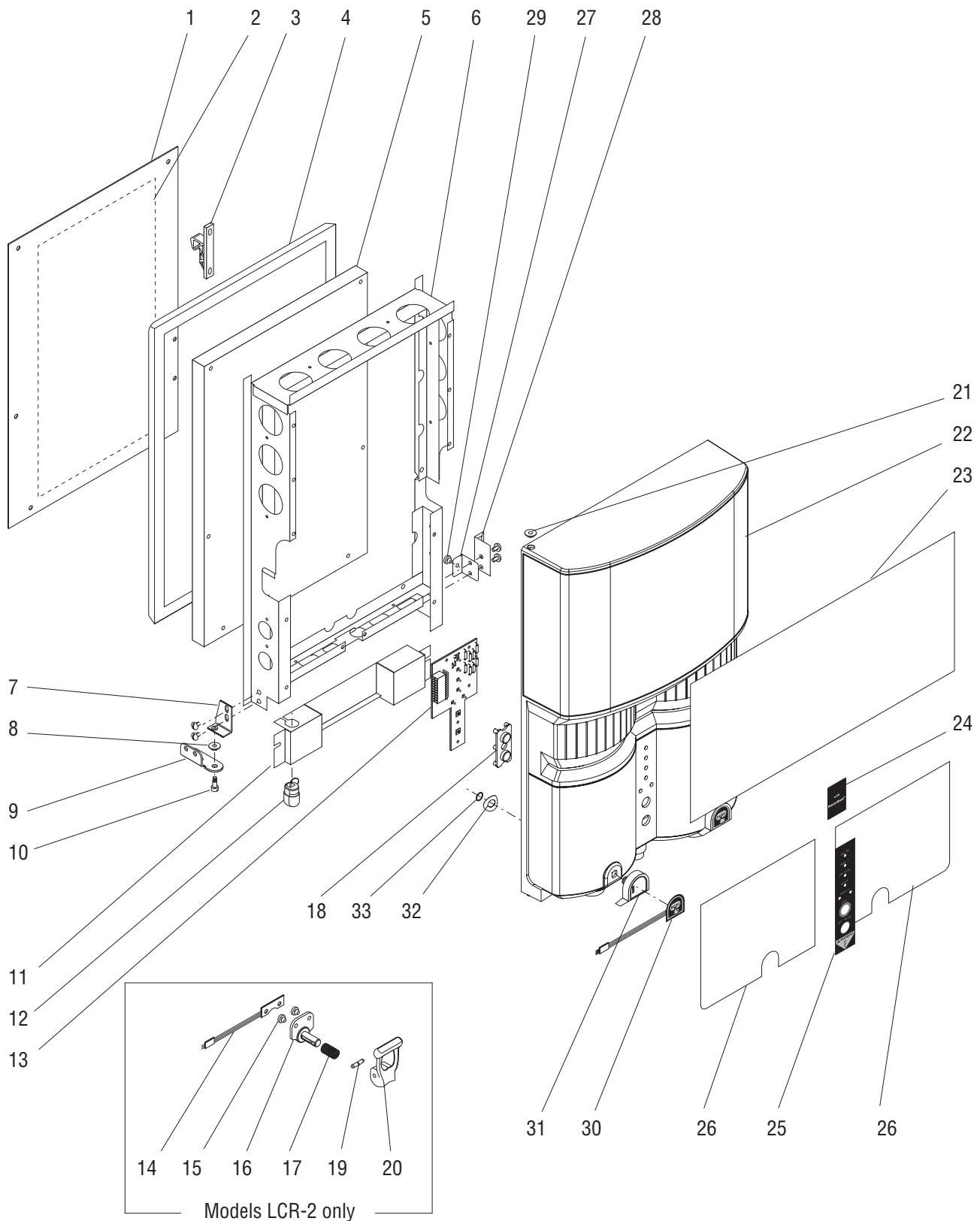
} Not Illustrated

* Indicates the part number listed is for reference only. See DESCRIPTION for possible service replacement.



DOOR ASSEMBLY (Early Models)

LCR-2
LCR-2 PC



P2586

DOOR ASSEMBLY (Early Models)

ITEM	PART NO.	QTY.	DESCRIPTION
-	34284.1011	1	Door Assembly, Standard Controls (Includes items 6,7,10,13 & 14 - 26)
	34284.1012	1	Door Assembly, Portion Control (Includes items 6,7,10,13,14,18, 21 - 26 & 30 - 33)
1	34531.1000	1	Plate w/Decal (Includes item 2)
	01322.0001	6	Screw, Round Head Sltd. #8-32 x 1.25"
2	34809.0001	1	Decal, Maintenance
3	34667.0000	1	Keeper, Door Latch
	01382.0000	2	Screw, Truss Head Sltd. #6-32 x .38"
4	34150.0000	1	Seal, Product Cabinet
5	34473.0000	1	Insulation, Door
6	34361.0000*	1	Frame, Door (Not Serviced)
7	34334.0000	1	Bracket
	01311.0000	2	Screw, Truss Head Sltd. #8-32 x .25"
8	34362.0000	1	Bushing, Lower Hinge
9	-----	1	Lower Door Hinge (See HOUSINGS & PANELS)
10	29504.0004	1	Shoulder Screw #8-32
11	34527.0000	1	Panel
	44224.0000	2	Screw, Pan Head #6-20 X .38"
12	26444.0000	1	Bushing, Strain Relief
13	38735.1000	1	Circuit Board, LED
	44224.0000	2	Screw, Pan Head #6-20 X .38"
14	33039.0001	2	Switch, Membrane
15	34340.1000	1	Button Kit (Includes two buttons)
16	34341.1000	2	Stem, Handle
17	34742.0000	2	Spring
18	34387.0000	1	Cover, Switch
19	01219.0000	2	Pin, Faucet Handle
20	33434.1000	1	Handle, Black
	33434.1002	1	Handle, Orange
			Includes item 19
21	34362.0001	1	Bushing, Upper Hinge (Early models only)
22	34283.0002	1	Door Front
	44224.0000	13	Screw, Pan Head #6-20 X .38"
23	34708.0000	1	Decal, Upper Door Wrap
24	34712.0000	1	Decal, Flavor Gard
25	34711.0000	1	Decal, LED Display

Models LCR-2 with Standard Controls

Models LCR-2 with Standard Controls

(Continued)

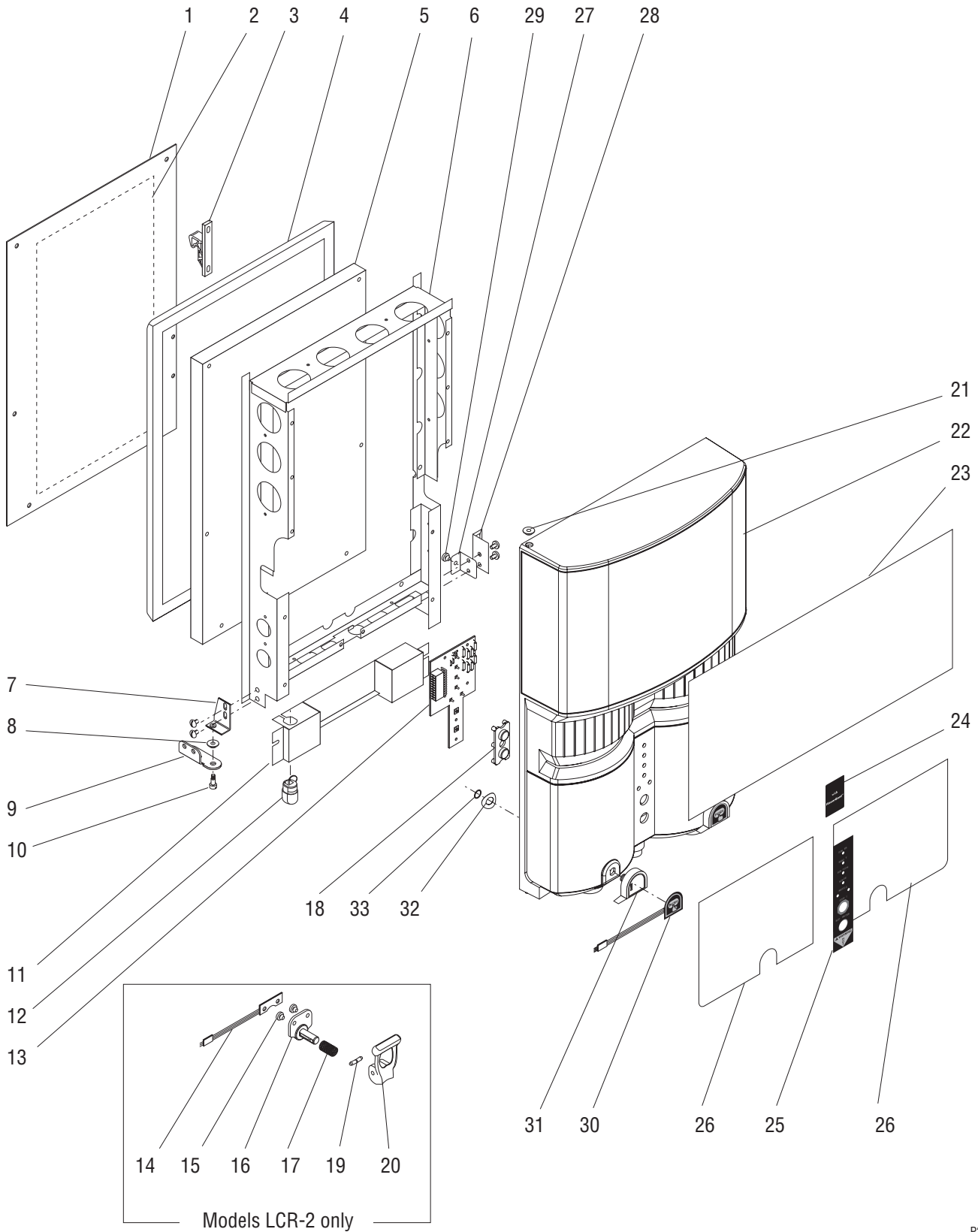
* Indicates the part number listed is for reference only. See DESCRIPTION for possible service replacement.



DOOR ASSEMBLY (Early Models)

LCR-2
LCR-2 PC

(Continued)



P2586

DOOR ASSEMBLY (Early Models)

ITEM	PART NO.	QTY.	DESCRIPTION
26	34709.0000	1	Decal, Left Faux Server
	34710.0000	1	Decal, Right Faux Server
27	35087.0000	1	Bracket, Switch
	01311.0000	2	Screw, Truss Head Sltd. #8-32 x .25"
28	36012.0000	1	Bracket, Latch
29	34340.0000*	1	Button
30	36554.0000	2	Membrane Switch
31	36673.0000	2	Bezel
32	36785.0000	2	Washer, Wavy
33	36786.0000	2	Snap Ring

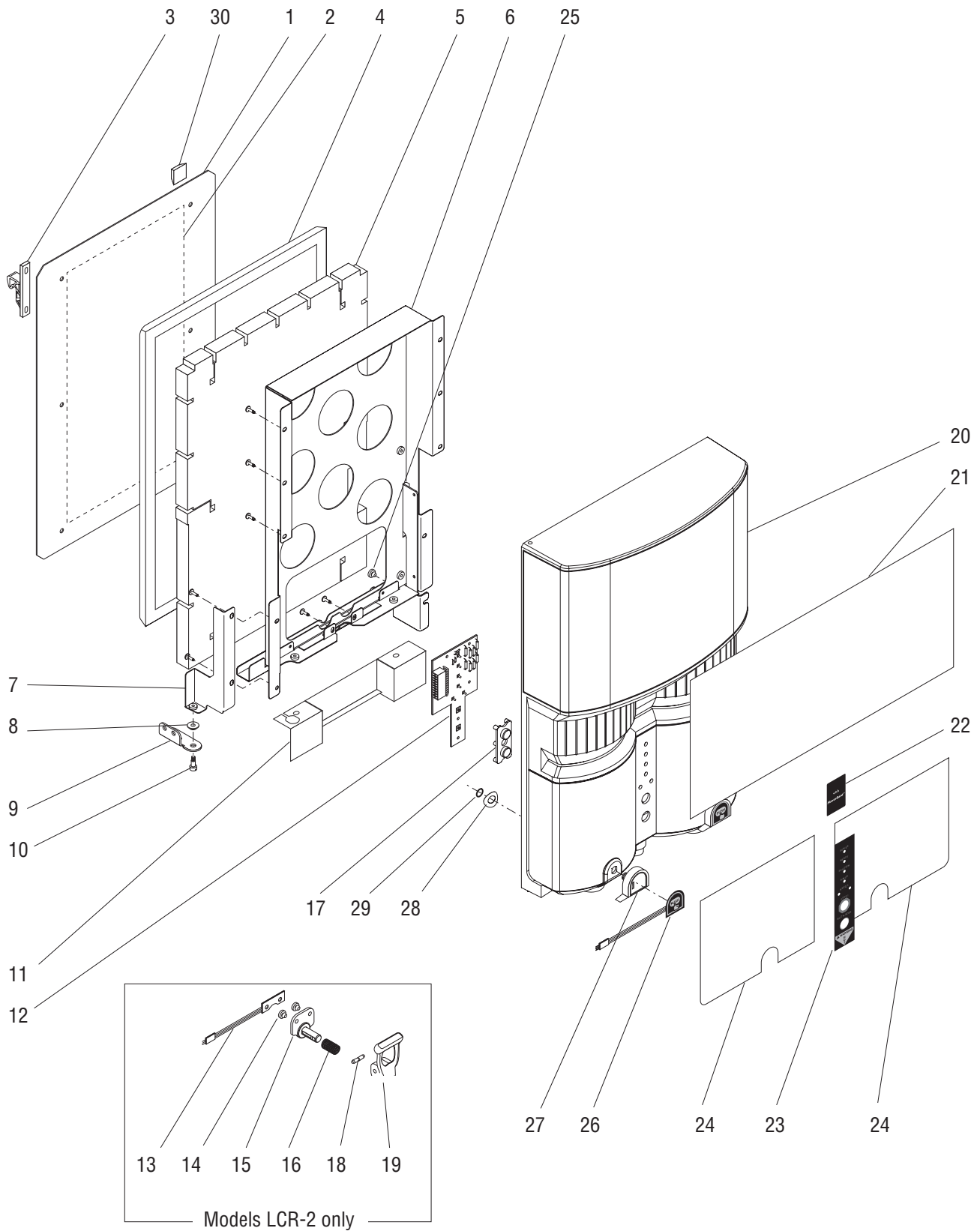
Models LCR-2, PC & LCR-2A, PC
with Portion Controls

* Indicates the part number listed is for reference only. See DESCRIPTION for possible service replacement.



DOOR ASSEMBLY (Late Models)

LCR-2 LCR-2 PC



P4106.50

DOOR ASSEMBLY (Late Models)

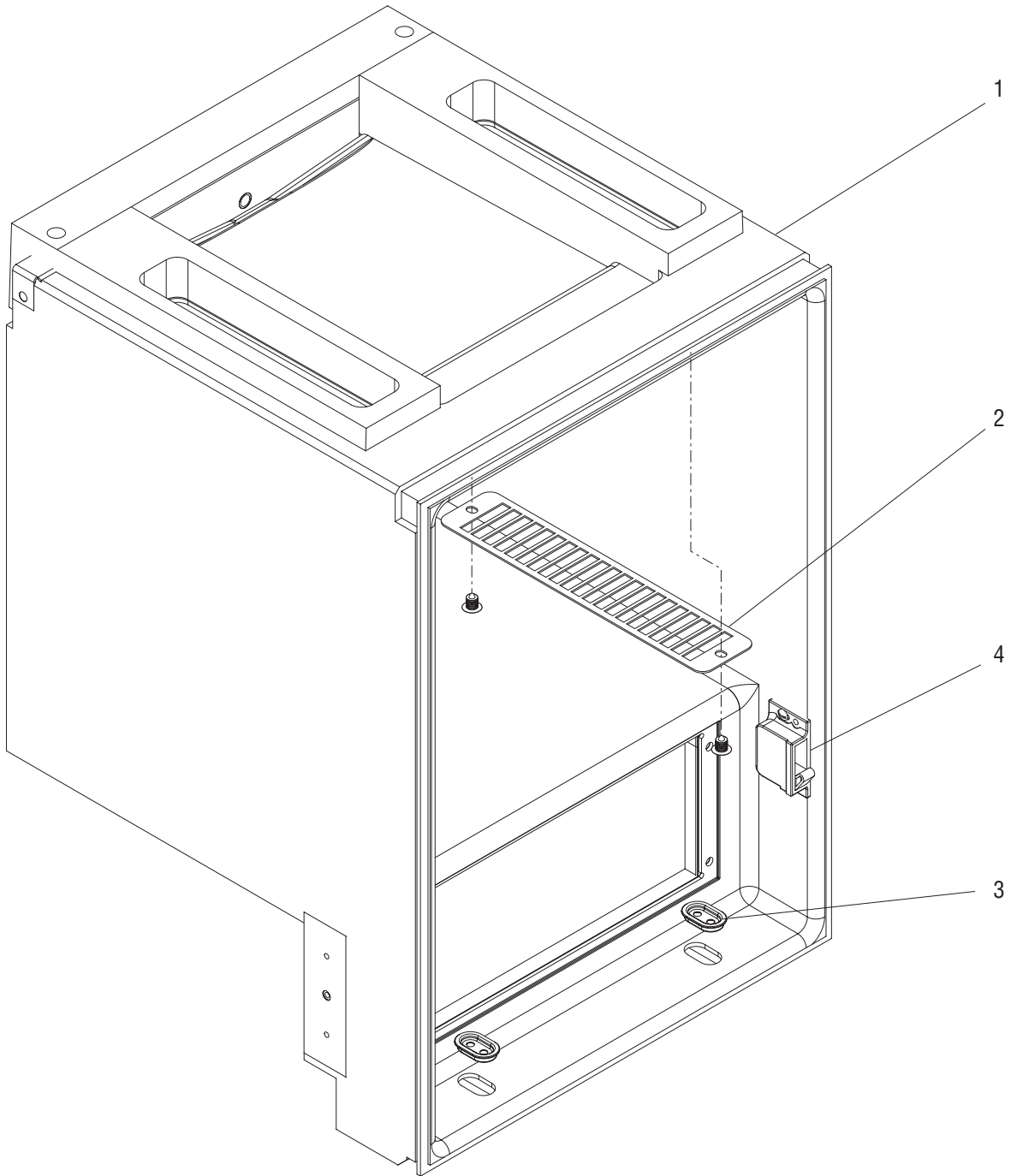
ITEM	PART NO.	QTY.	DESCRIPTION	
-	41925.0011	1	Door Assembly, Standard Controls (Includes items 6,7,10 & 12 - 24)	
	41925.1012	1	Door Assembly, Portion Control (Includes items 6,7,10,12,14,17, 20 - 29)	
1	40095.1000	1	Plate w/Decal (Includes item 2)	
	01322.0001	6	Screw, Round Head Sltd. #8-32 x 1.25"	
2	34809.0001	1	Decal, Maintenance	
3	34667.0001	1	Keeper, Door Latch	
	01382.0000	2	Screw, Truss Head Sltd. #6-32 x .38"	
4	41512.0000	1	Seal, Product Cabinet	
5	40092.0000	1	Insulation, Door	
6	40087.0000*	1	Frame, Door (Not Serviced)	
7	40091.0000	1	Bracket	
	01311.0000	2	Screw, Truss Head Sltd. #8-32 x .25"	
8	34362.0000	1	Bushing, Lower Hinge	
9	-----	1	Lower Door Hinge (See HOUSINGS & PANELS)	
10	29504.0004	1	Shoulder Screw #8-32	
11	40094.0000	1	Panel	
	01311.0000	2	Screw, Truss Head Sltd. #8-32 x .25"	
12	38735.1000	1	Circuit Board, LED	
	44224.0000	2	Screw, Pan Head #6-20 X .38"	
13	33039.0001	2	Switch, Membrane	} Models LCR-2 with Standard Controls
14	34340.1000	1	Button Kit (Includes two buttons)	
15	34341.1000	2	Stem, Handle	
16	34742.0000	2	Spring	
17	34387.0000	1	Cover, Switch	
18	01219.0000	2	Pin, Faucet Handle	} Models LCR-2 with Standard Controls
19	33434.1000	1	Handle, Black	
	33434.1002	1	Handle, Orange } Includes item 19	
20	34283.0002	1	Door Front (Not serviced separately)	
	44224.0000	13	Screw, Pan Head #6-20 X .38"	
21	34708.0000	1	Decal, Upper Door Wrap	
22	34712.0000	1	Decal, Flavor Gard	
23	34711.0000	1	Decal, LED Display	
24	34709.0000	1	Decal, Left Faux Server	
	34710.0000	1	Decal, Right Faux Server	
25	34340.0000*	1	Button	
26	36554.0000	2	Membrane Switch	
27	36673.0000	2	Bezel	} Models LCR-2 PC & LCR-2A PC with Portion Controls
28	36785.0000	2	Washer, Wavy	
29	36786.0000	2	Snap Ring	
30	02547.0000	1	Foot, Rubber	

* Indicates the part number listed is for reference only. See DESCRIPTION for possible service replacement.



CABINET ASSEMBLY

LCR-2
LCR-2 PC



CABINET ASSEMBLY

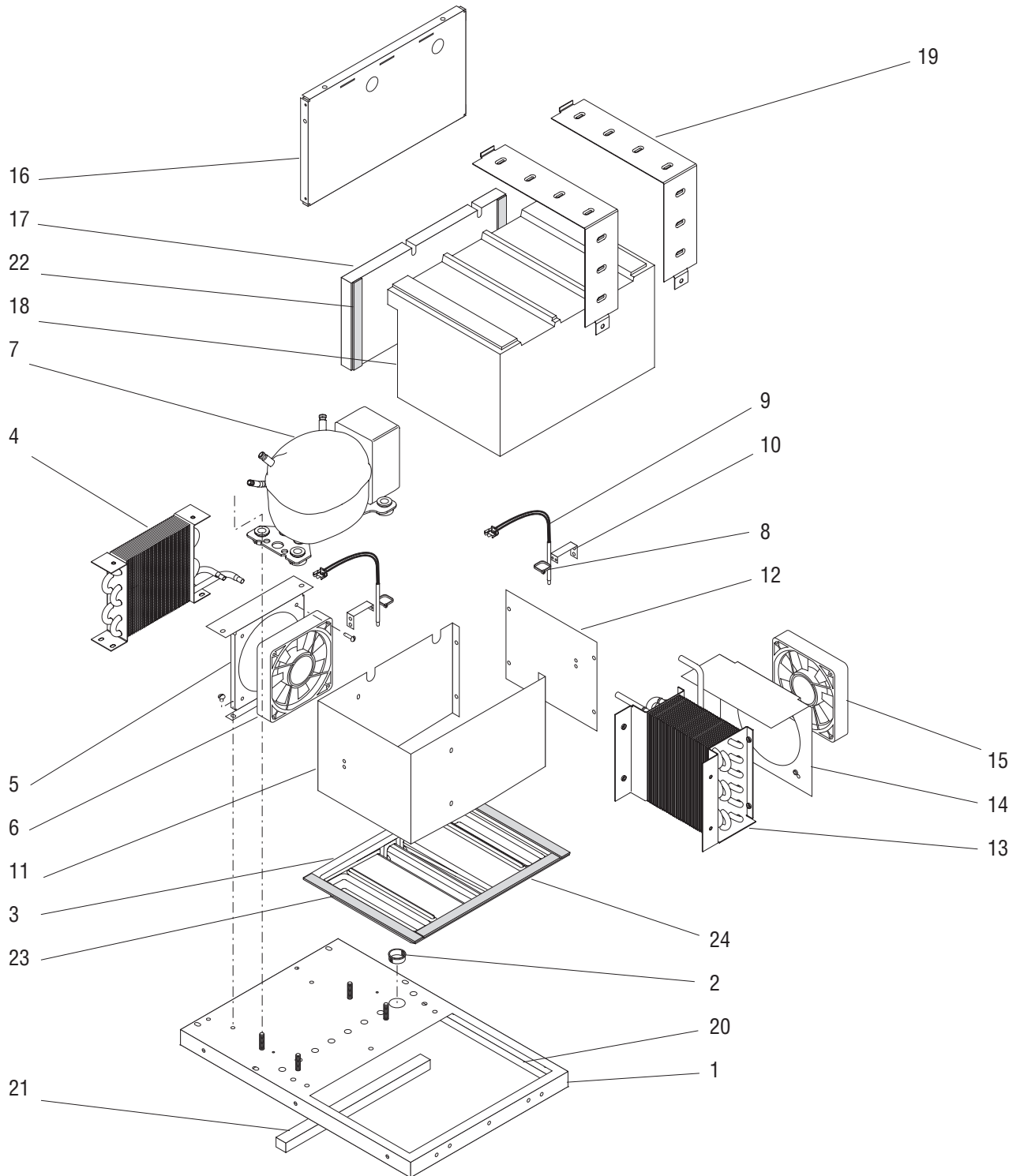
ITEM	PART NO.	QTY.	DESCRIPTION
1	36113.1001	1	Cabinet
2	35959.0000*	2	Cover, Vent
	36149.0000	4	Fastener
3	34702.0000	2	Grommet
4	34666.0001	1	Catch
	48817.0000	2	Screw, Pan Head #4-40 x .50"

* Indicates the part number listed is for reference only. See DESCRIPTION for possible service replacement.



REFRIGERATION COMPARTMENT

LCR-2
LCR-2 PC



REFRIGERATION COMPARTMENT

ITEM	PART NO.	QTY.	DESCRIPTION
-	36077.0001	1	Refrigeration Assembly (Includes item 1- 24)
1	35827.0000	1	Base
	01326.0008	2	Screw, Truss Head, Sltd.,Blk #10-32 x 1.25"
	01384.0000	4	Screw, Truss Head Sltd. SST #8-32 x 1.5"
2	00606.0000	1	Bushing, Snap
3	35830.0000	1	Drip Tray
4	35821.0001*	1	Condenser
	02335.0001	2	Screw, Hex Crimptite #8-32 x .375"
5	35887.0000	1	Bracket
	01311.0000	2	Screw, Truss Head #8-32 x .25"
6	33297.0002	1	Fan
	02370.0003	4	Screw, Pan Head #6-32 x 1.50"
7	-----	1	Compressor Assy. (See COMPRESSOR ASSEMBLY)
	21431.0003	4	Washer
	00901.0000	4	Nut, Hex .250"-20
8	00617.0000	2	Cable Tie
9	34803.1000	2	Sensor Assembly
10	36016.0000	2	Bracket
	01382.0000	4	Screw, Truss Head #6-32 x .38"
11	35834.0000	1	Housing
12	35891.0000	1	Panel
	01311.0000	4	Screw, Truss Head #8-32 x .25"
13	35823.0001*	1	Evaporator
	02335.0001	2	Screw, Hex Crimptite #8-32 x .375"
14	35888.0000	1	Bracket
	01311.0000	4	Screw, Truss Head #8-32 x .25"
15	33297.0002	1	Fan
	02370.0003	4	Screw, Pan Head #6-32 x 1.50"
16	35838.0000	1	Panel
	01327.0000	3	Screw, Pan Head #10-32 x .38"
17	35965.0000	1	Panel, Styrofoam - Back
18	38301.0001*	1	Panel, Styrofoam
19	35836.0000	2	Strap
	01311.0000	2	Screw, Truss Head #8-32 x .25"
20	36117.0000	1	Insulation, 30.0"
21	36118.0000	1	Insulation, 11.9"
22	22462.0007*	2	Gasket, 5.25" (Order item 28)
23	22462.0015*	2	Gasket, 7.75" (Order item 28)
24	22462.0016*	2	Gasket, 11.50" (Order item 28)

The following items are not illustrated:

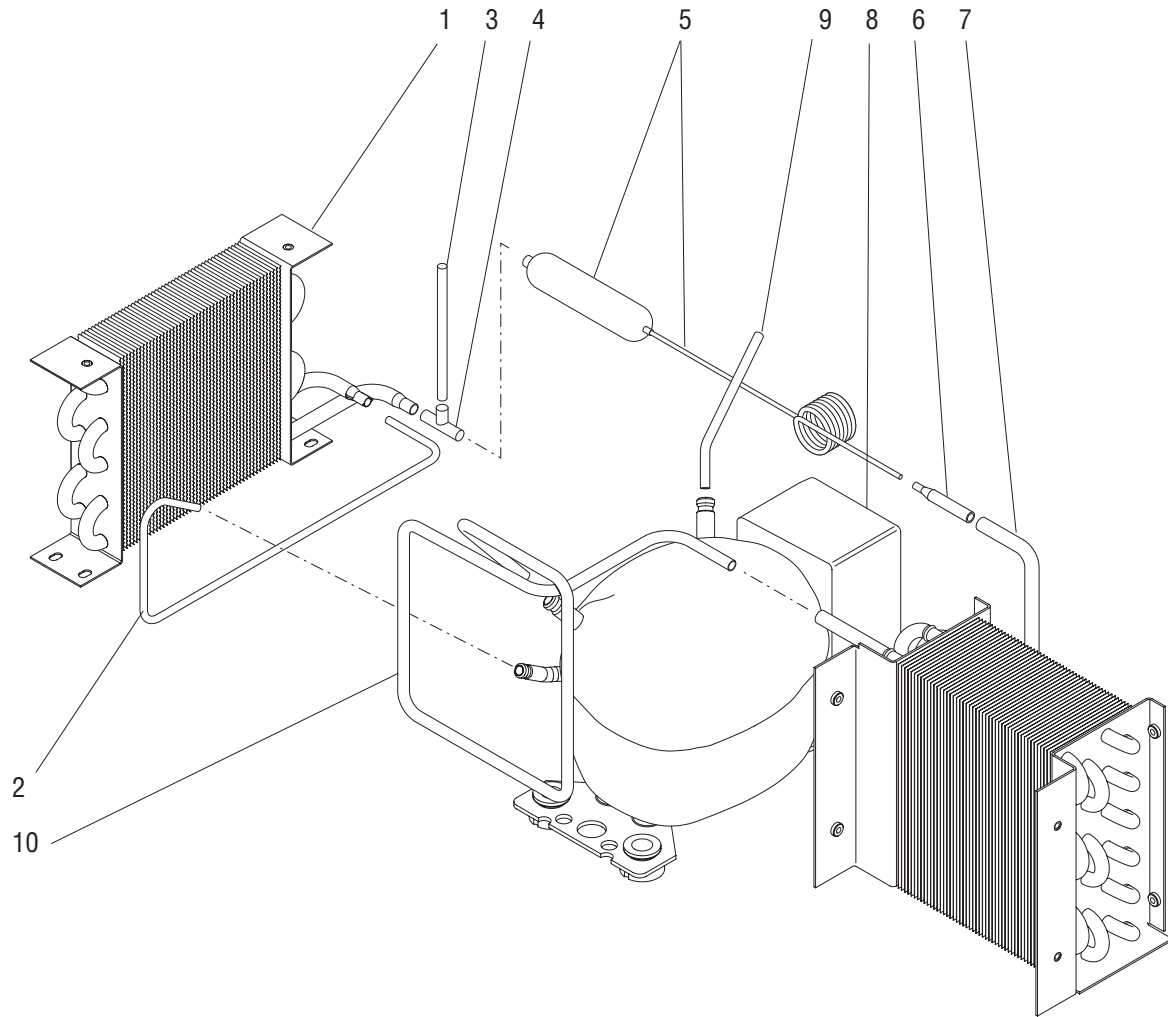
25	36037.0000	1	Wiring Harness - Compressor Module
26	36050.0001	1	Wiring Harness - Compressor Speed Control
27	36056.0000	1	Wiring Harness - Sensors
28	22462.1000	-	Gasket, 24.0" (Cut to required length)

* Indicates the part number listed is for reference only. See DESCRIPTION for possible service replacement.



COMPRESSOR & LINES

LCR-2
LCR-2 PC



COMPRESSOR & LINES

ITEM	PART NO.	QTY.	DESCRIPTION
1	-----	1	Condenser Assembly (See REFRIGERATION COMPARTMENT)
2	36021.0001*	1	Tube (Requires brazing to install)
3	35581.0001	1	Tube (Requires brazing to install)
4	00467.0000*	1	Tee (Requires brazing to install)
5	35820.0000	1	Filter Dryer Assembly (Requires brazing to install)
6	36010.0000*	1	Adapter (Requires brazing to install)
7	-----	1	Evaporator Assembly (See REFRIGERATION COMPARTMENT)
8	-----	1	Compressor Assembly (See COMPRESSOR ASSEMBLY)
9	36019.0001	1	Tube (Requires brazing to install)
10	36308.0001*	1	Tube (Requires brazing to install)

The following items are not illustrated:

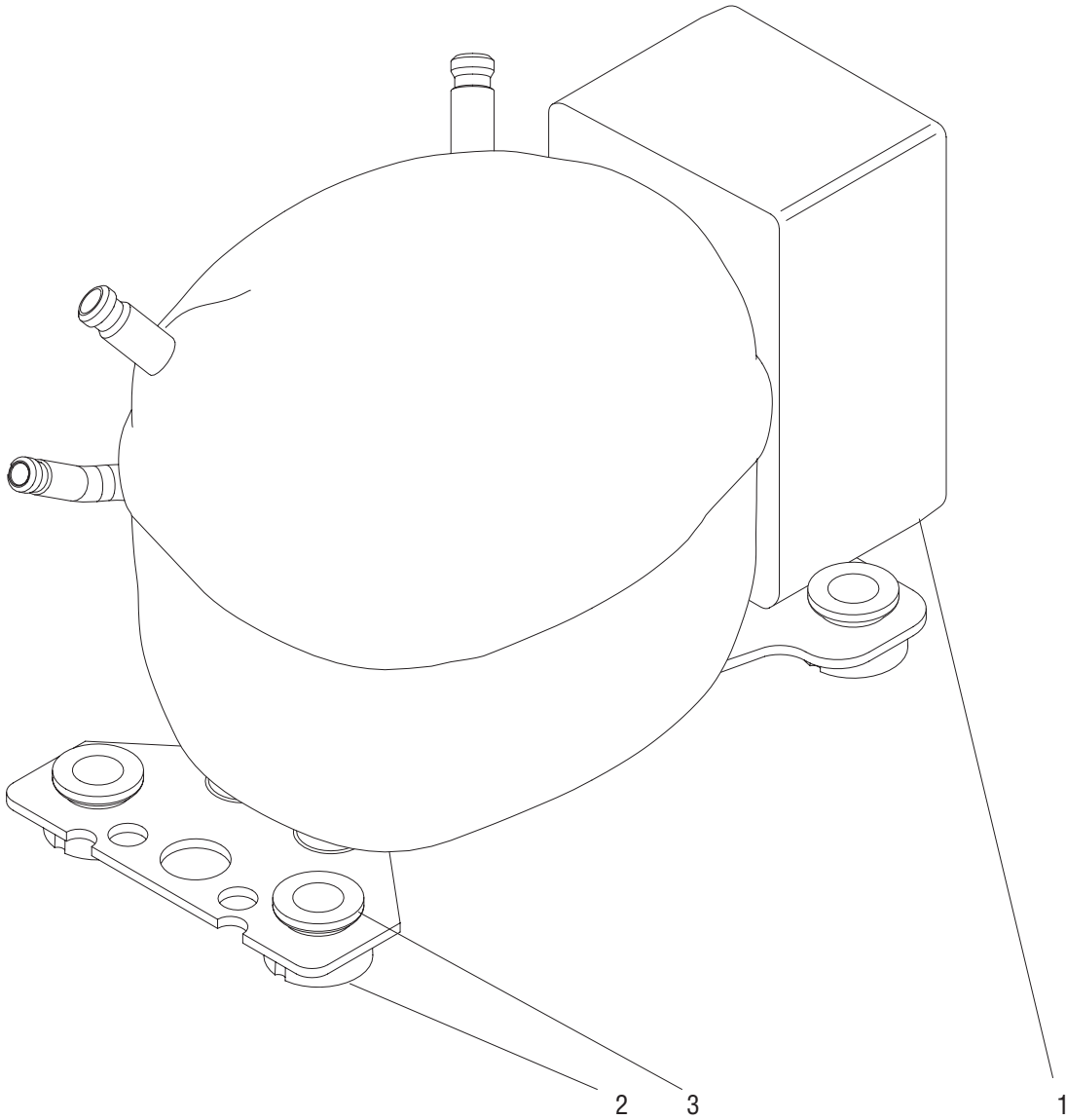
11	-----	1	Tape, Cork - Pipe Insulating 2.00' (Early models)(Order item 12)
12	M2336.1000	-	Insulation, Tube 72.0" (Use as required)

* Indicates the part number listed is for reference only. See DESCRIPTION for possible service replacement.



COMPRESSOR ASSEMBLY

LCR-2
LCR-2 PC



COMPRESSOR ASSEMBLY

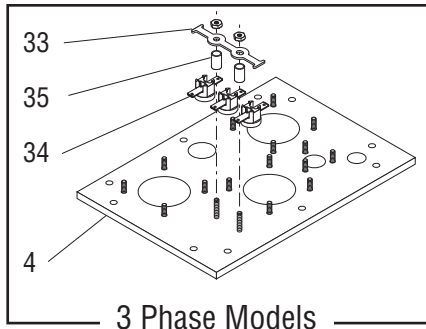
ITEM	PART NO.	QTY.	DESCRIPTION
-	35822.0000*	1	Compressor Assembly (Model BD-50F) (Includes items 1 - 3)
	35822.0001*	1	Compressor Assembly (Model BD-35F) (Includes items 1 - 3)
1	35961.0000	1	Electronics Box
2	35962.0000	4	Grommet
3	35963.0000	4	Sleeve

* Indicates the part number listed is for reference only. See DESCRIPTION for possible service replacement.

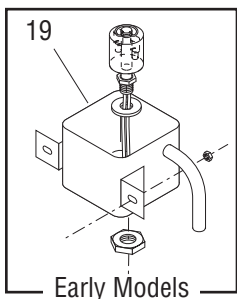
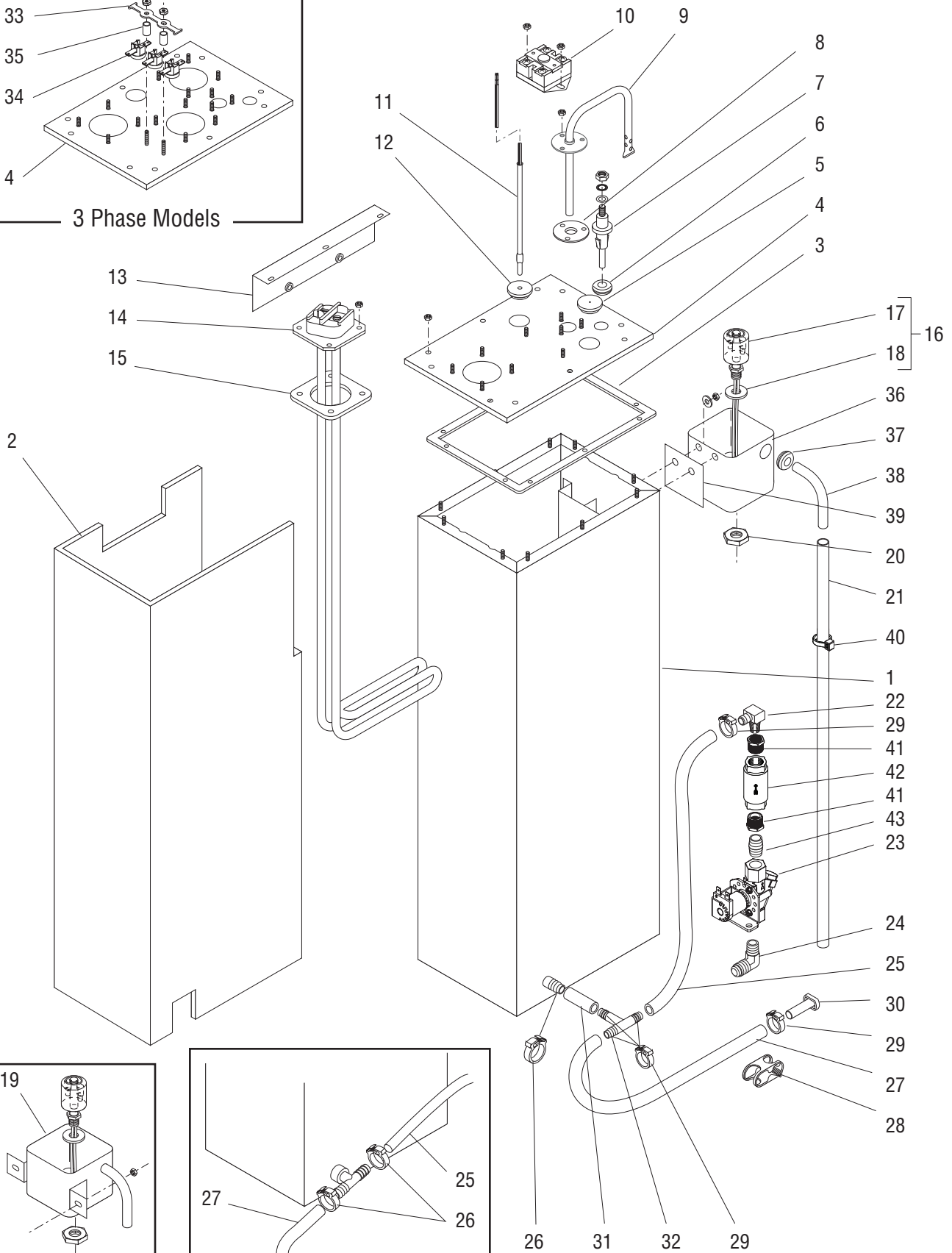


TANK ASSEMBLY

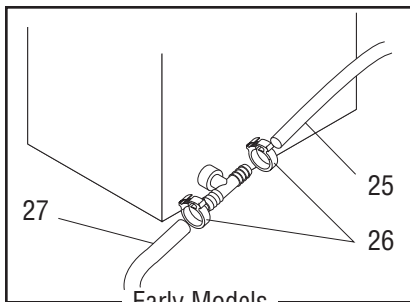
LCR-2 LCR-2 PC



3 Phase Models



Early Models



Early Models

P2588

TANK ASSEMBLY

ITEM	PART NO.	QTY.	DESCRIPTION
1	34158.1002	1	Tank
2	-----	1	Insulation, Tank Wrap (Early Models. Not Available)
3	12377.0000	1	Gasket, Tank Lid
4	34160.0000	1	Lid, Tank
	34160.0001	1	Lid, Tank (3 Phase models)
	00906.0000	10	Nut #6-32
5	07073.0001	1	Grommet, Thermostat (Models with thermostat)
	12570.0002	1	Grommet (Models without thermostat)
6	02536.0000	1	Grommet, Level Probe
7	20936.1000	1	Probe, Liquid Level
	01501.0000	1	Washer
	20203.0100	1	Lockwasher, Int.-tooth #8
	00908.0000	1	Nut #8-32
8	05515.0000	1	Gasket, Overflow Tube
9	26622.0002*	1	Tube, Overflow
	00908.0000	3	Nut #8-32
10	23717.0003	1	Limit Thermostat, Double
	00971.0000	2	Nut, Keps #10-32
11	41179.1000	1	Probe, Temperature
12	12570.0000	1	Grommet, Temperature Probe
13	34895.0000	1	Bracket
	01315.0005	2	Screw, Truss Head Sltd. Blk #8-32 x .38"
14	33926.1001	1	Tank Heater, 5500W 240V (Includes item 15)
	12322.1000	1	Tank Heater, 4000W 240V (Includes item 15)
	38818.1000	3	Tank Heater, 3000W 240V (Includes item 15) (3 Phase models)
	00908.0000	4	Nut #8-32 (8 additional used on 3 Phase models)
15	12398.0002	1	Gasket, Tank Heater
16	03803.0002	1	Switch, Overflow (Includes items 17 & 18)
17	03807.0000	1	Retaining Ring
18	03633.0000	1	Gasket, Silicone
19	22728.0002	1	Overflow Cup
	00970.0000	2	Nut, Keps #8-32
			} Early Models
20	00946.0000	1	Nut, Brass .125"-27
21	20976.0067*	1	Tube, Silicone .375" ID x 21.0" (Order item 44)
22	34684.0000	1	Elbow .375" Barb x .375" NPT
23		1	Valve, Water Inlet (See Inlet Valve & Inlet Valve Retrofit Kit Page)
	01326.0000	2	Screw, Truss Head Sltd. #10-32 x .25"

(Continued)

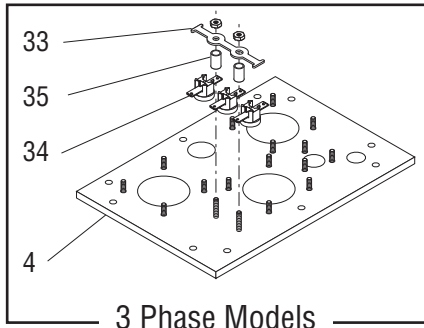
* Indicates the part number listed is for reference only. See DESCRIPTION for possible service replacement.



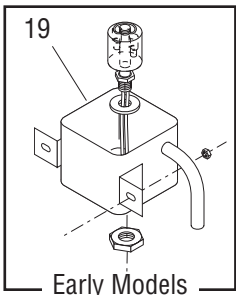
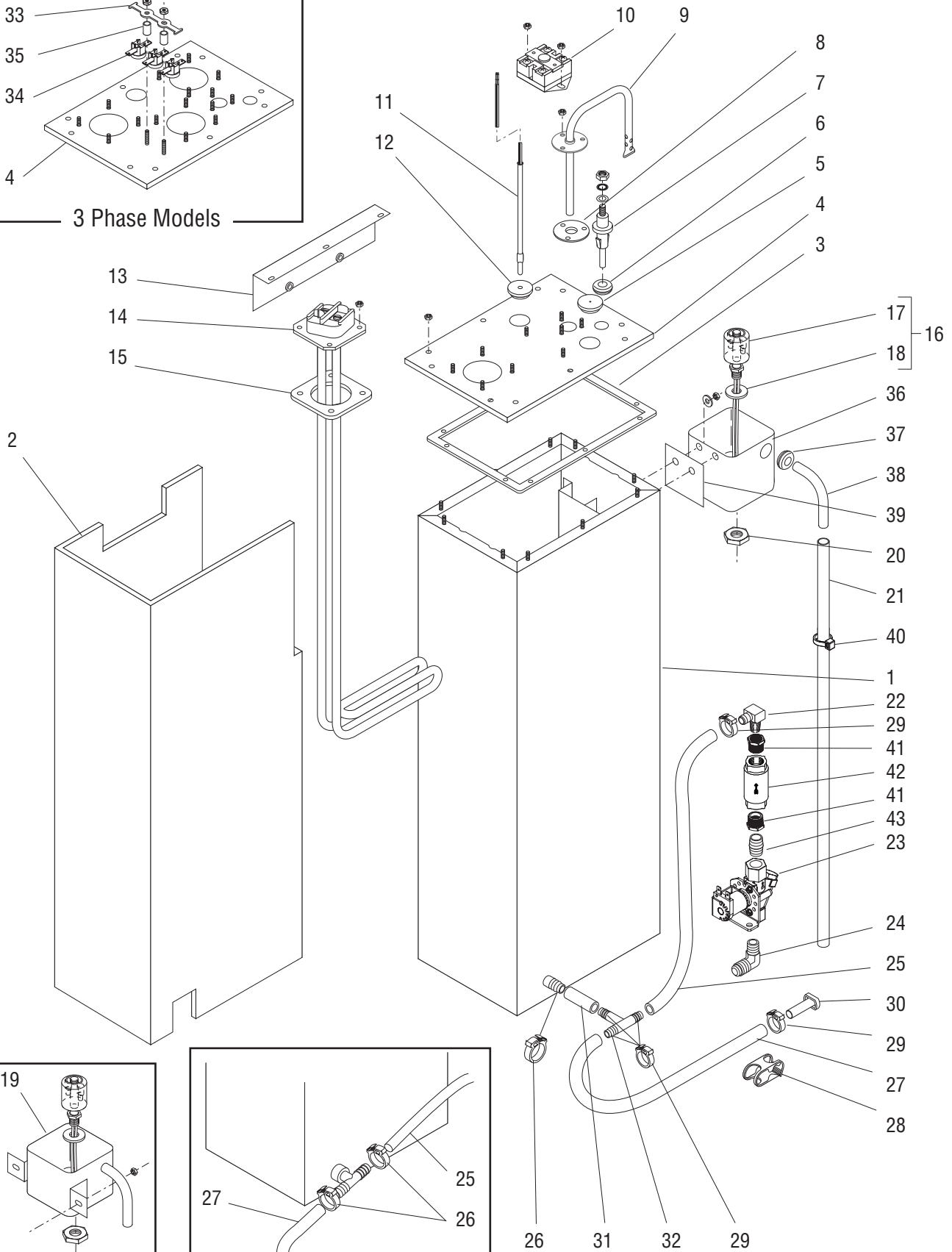
TANK ASSEMBLY

LCR-2 LCR-2 PC

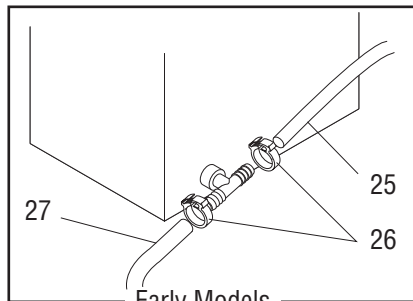
(Continued)



3 Phase Models



Early Models



Early Models

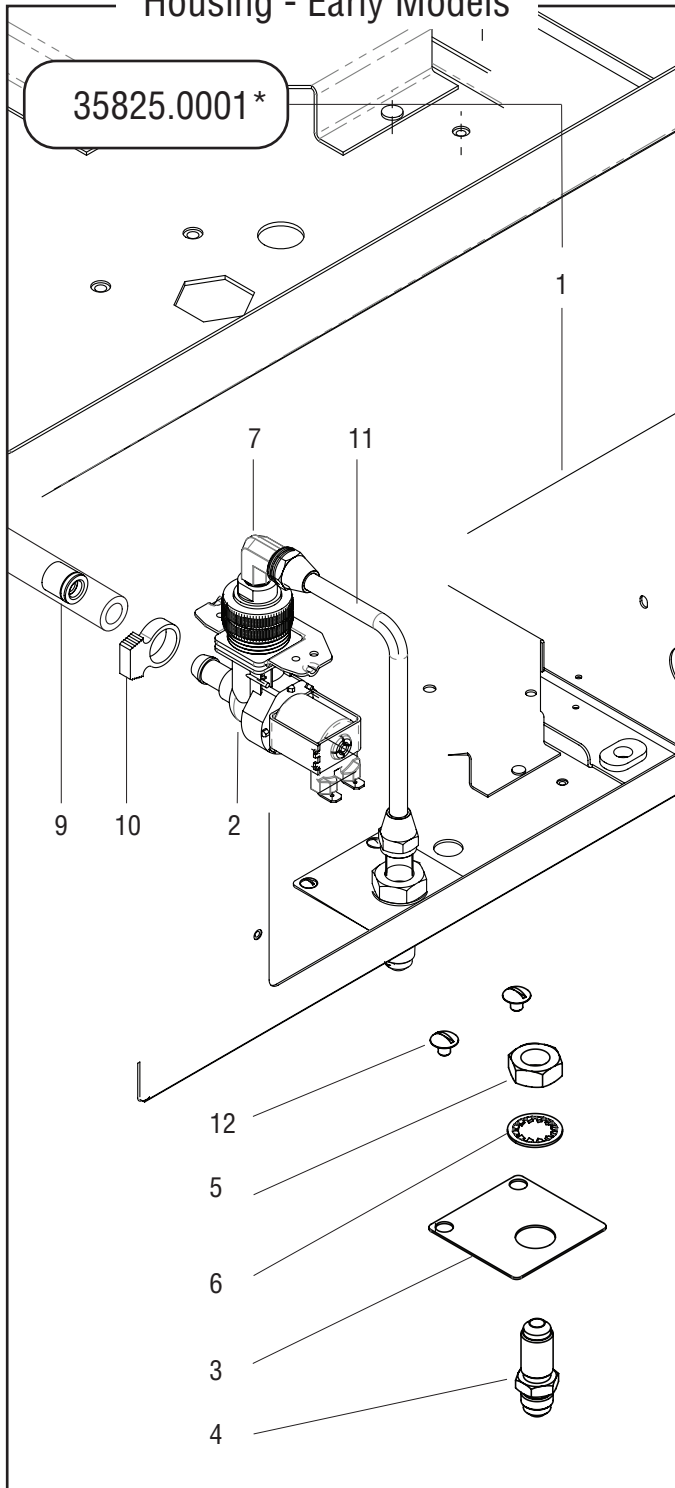
TANK ASSEMBLY

ITEM	PART NO.	QTY.	DESCRIPTION	
24	34768.0000	1	Elbow .38" NPT x .63" flare	
25	20976.0005*	1	Tube, Silicone .375" ID x 7.5" (Order item 44) (Early models)	
	20976.0055*	1	Tube, Silicone .375" ID x 9.0" (Order item 44)(Late models)	
26	12422.0005	1	Clamp .62/.71" ID (2 used on early models)	
27	20976.0068*	1	Tube, Silicone .375" ID x 19.0" (Order item 44)	
28	11630.0001	1	Clip, Shut-off	
29	12422.0001	5	Clamp .59/.66" ID (3 less used on early models)	
30	34392.0000	1	Plug, Hose	
31	20976.0072*	1	Tube, Silicone .375" ID x 1.5" (Order item 44)	} Late models only
32	38948.0001	1	Fitting, Tee .375" Barb	
33	38821.0000	1	Strap	} 3 Phase models only
	00973.0000	2	Nut, Keps #6-32	
34	29329.0003	3	Limit Thermostat	
35	39829.0000	2	Spacer	
36	41259.0002	1	Overflow Cup, Aluminum	} Late models only
	01522.0000	2	Washer	
	00910.0000	2	Nut, Hex #10-32	
37	02536.0000	1	Grommet	
38	34612.0000	1	Tube	
39	41266.0000	1	Film, Insulating	
40	36329.0002	1	Tie, Cable	
41	35851.0000	2	Fitting .375FPT x .500MPT	} Late models only
42	40831.0000	1	Check Valve	
43	36476.0000	1	Fitting, Close Nipple .375NPT	
44	20976.1000	-	Tube, Silicone .375" ID x 12.0" (Use as required)	} Not Illustrated
	20976.1001	-	Tube, Silicone .375" ID x 30.0" (Use as required)	

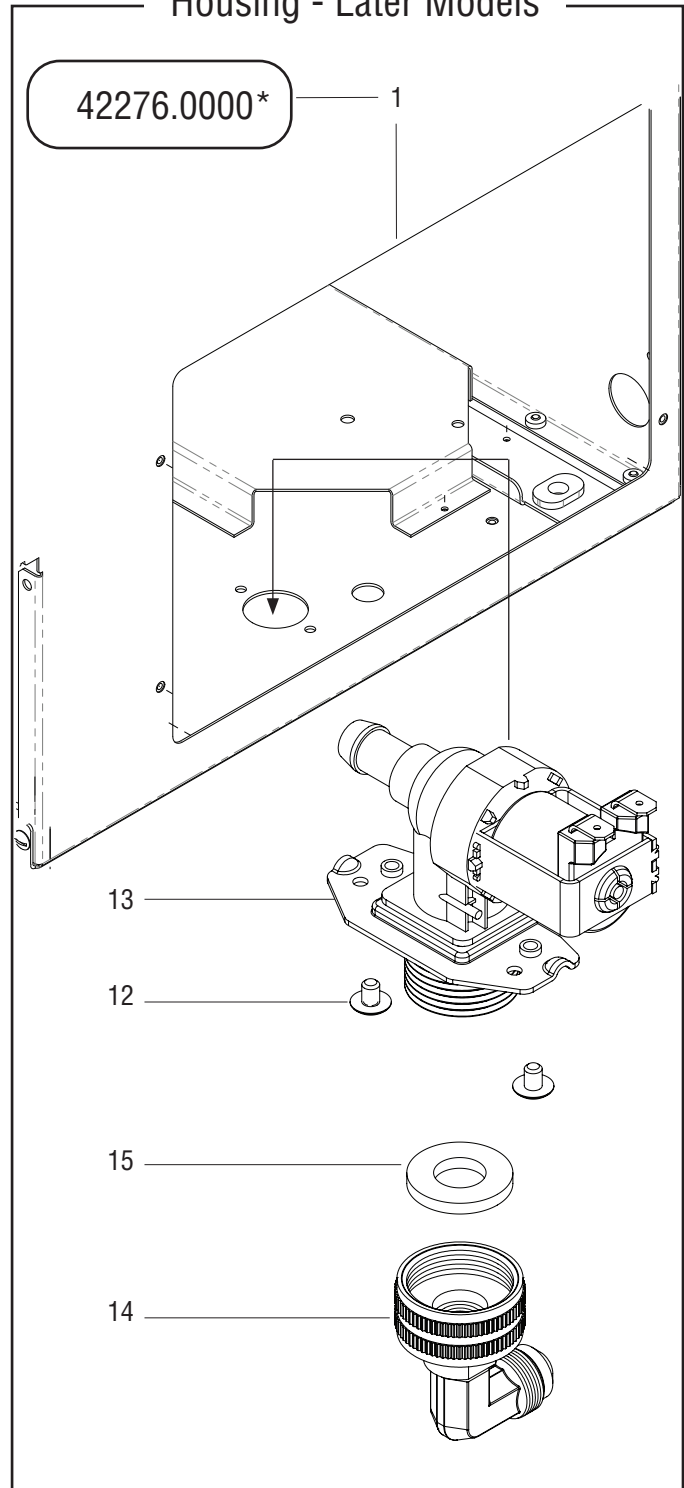
* Indicates the part number listed is for reference only. See DESCRIPTION for possible service replacement.



Housing - Early Models



Housing - Later Models



INLET VALVE RETROFIT KIT & INLET VALVE

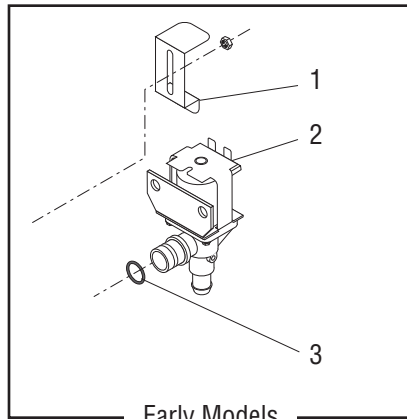
ITEM	PART NO.	QTY.	DESCRIPTION
1	35825.0001*	1	Housing Assy BLK Single Piece (Early Model Housing, Order Item 2)
	42276.0000*	1	Housing Assy BLK Multi Piece (Later Model Housing, Order Item 13)
2	34400.0216	1	Retrofit Kit, Inlet Solenoid Valve 24 VDC (Early Model, Includes Items 3 - 12)
3	-----	1	Plate, LCR/LCA Retrofit
4	-----	1	Fitting, Bulkhead Male .38 Flr
5	-----	1	Nut, Hex .625-18
6	-----	1	Lock Washer
7	-----	1	Elbow, .38 Flr x .75 Hose Thd
8	-----	1	Valve, Inlet 24 VDC W/O Flow Washer
9	-----	1	Valve, Check 2.5 PSI
10	-----	1	Clamp, Hose Snap Type .59/.66 ID
11	-----	1	.375 OD Copper Tube Ass
12	01326.0000	2	Screw, Truss Head Sltd. #10-32 x .25"
13	36233.0031	1	Valve, Inlet 24 VDC W/O Flow Washer (Later Model)
	01326.0000	2	Screw, Truss Head Sltd. #10-32 x .25"
14	37297.0001	1	Elbow, .38 Flr x .75 Hose Thd (Includes Item 14)
15	41640.0000	1	Gasket, .75 Hose Fitting

* Indicates the part number listed is for reference only. See DESCRIPTION for possible service replacement.

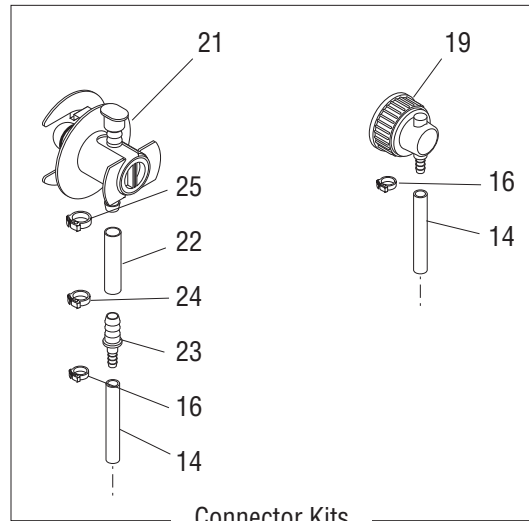


DISPENSE VALVES & LINES

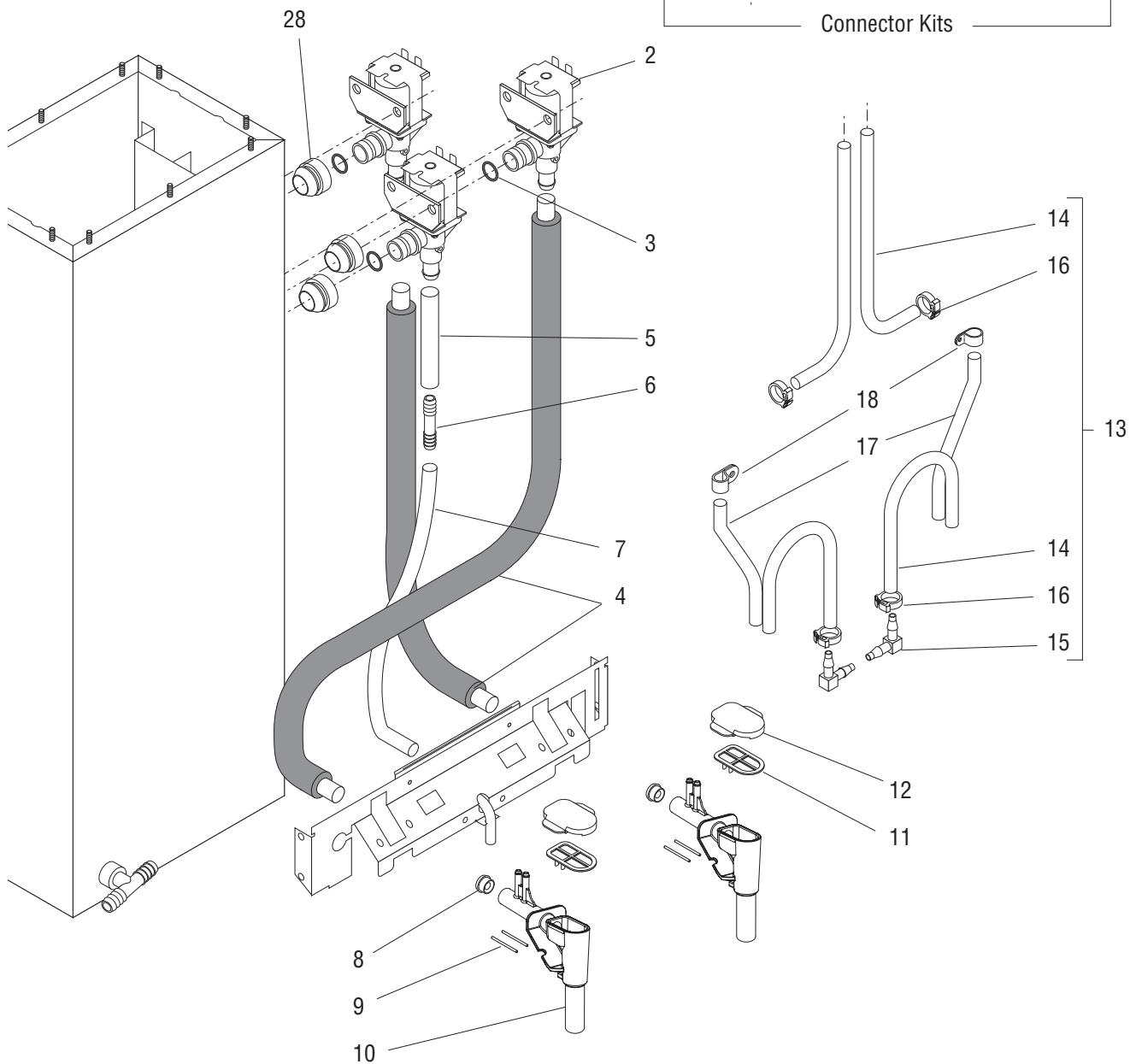
LCR-2 LCR-2 PC



Early Models



Connector Kits



DISPENSE VALVES & LINES

ITEM	PART NO.	QTY.	DESCRIPTION	
1	29576.0000	3	Bracket	
	00970.0000	3	Nut, Keps #8-32	
2	34202.0003	3	Valve, Dispense 24VDC (Includes item 3)(Refer to item 41)	
3	24733.0011	3	O-ring	
4	34962.1000	2	Warmer Tube Assy (Includes Warmer Tape w/Leads)	
5	20976.0046*	1	Tube, Silicone .375" ID x 5.0" (Order item 36)	
6	34644.0000	1	Connector, Barb .375"	
7	28526.0002*	1	Tube, Silicone .313" ID x 16.0" (Order item 37)	
8	34807.0000	2	Flow Restrictor (Optional for 1.8 oz/sec. flow rate)	
9	34689.0000*	4	Pin	
10	34346.1000	2	Mixing Chamber Assy (Includes items 8, 9, 11 & 12)	
	01315.0000	4	Screw, Truss Head Sltd. #8-32 x .38"	
11	34198.0000*	2	Lid	
12	34384.0000*	2	Snap Cap	
13	34727.1000	2	Hose Assy .187" ID (Incl. items 14 - 16)	} Also order item 37
	34727.1001	2	Hose Assy .187" ID x 14.0" Feed End (Incl. items 14 - 16)	
	34728.1000	2	Hose Assy .125" ID (Incl. items 14 - 16)	
14	34729.0000*	4	Hose .187" ID x 9.0"	} Order item 13
	34729.0001*	2	Hose .187" ID x 14.0"	
	34728.0000*	4	Hose .125" ID x 9.0"	
15	34714.0000	2	Elbow (.187" ID Hose Assy)	
	34715.0000	2	Elbow (.125" ID Hose Assy)	
16	12422.0003	4	Clamp .40/.45" ID (.187" ID Hose Assy)	
	12422.0007	4	Clamp .31/.34" ID (.125" ID Hose Assy)	
17	34726.0001*	2	Tube, Norprene .125" I.D. x 6.0" (Order item 39)	
18	05920.0000	2	Clip	
19	35057.0000	2	Connector .187"	
	35057.0001	2	Connector .25"	
20	35055.1000	2	Adapter Kit (Includes items 21 - 25)	
21	33160.0000	2	Connector	
22	11707.0029*	2	Hose, Silicone .25" I.D. x 1.75" (Order item 40)	
23	35053.0000	2	Coupling, Reducing	
24	12422.0000	2	Clamp .47/.54" I.D.	
25	12422.0006	2	Clamp .53/.59" I.D.	

(Continued)

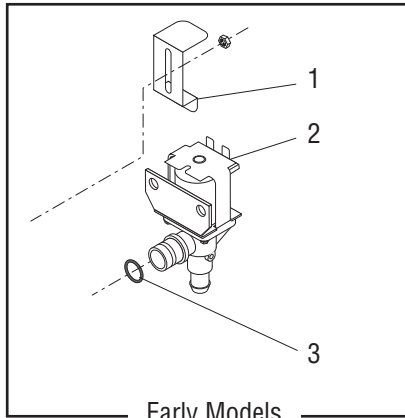
* Indicates the part number listed is for reference only. See DESCRIPTION for possible service replacement.



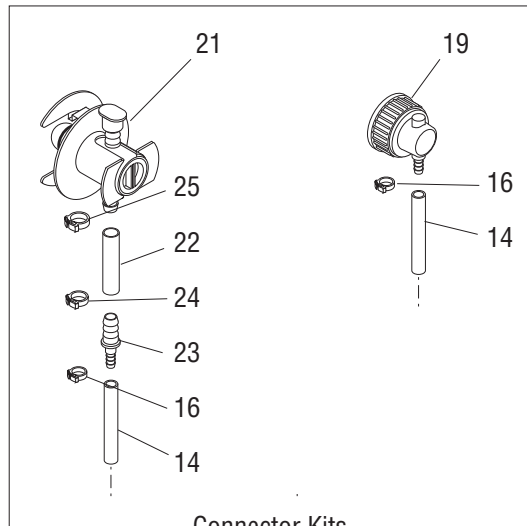
DISPENSE VALVES & LINES

LCR-2 LCR-2 PC

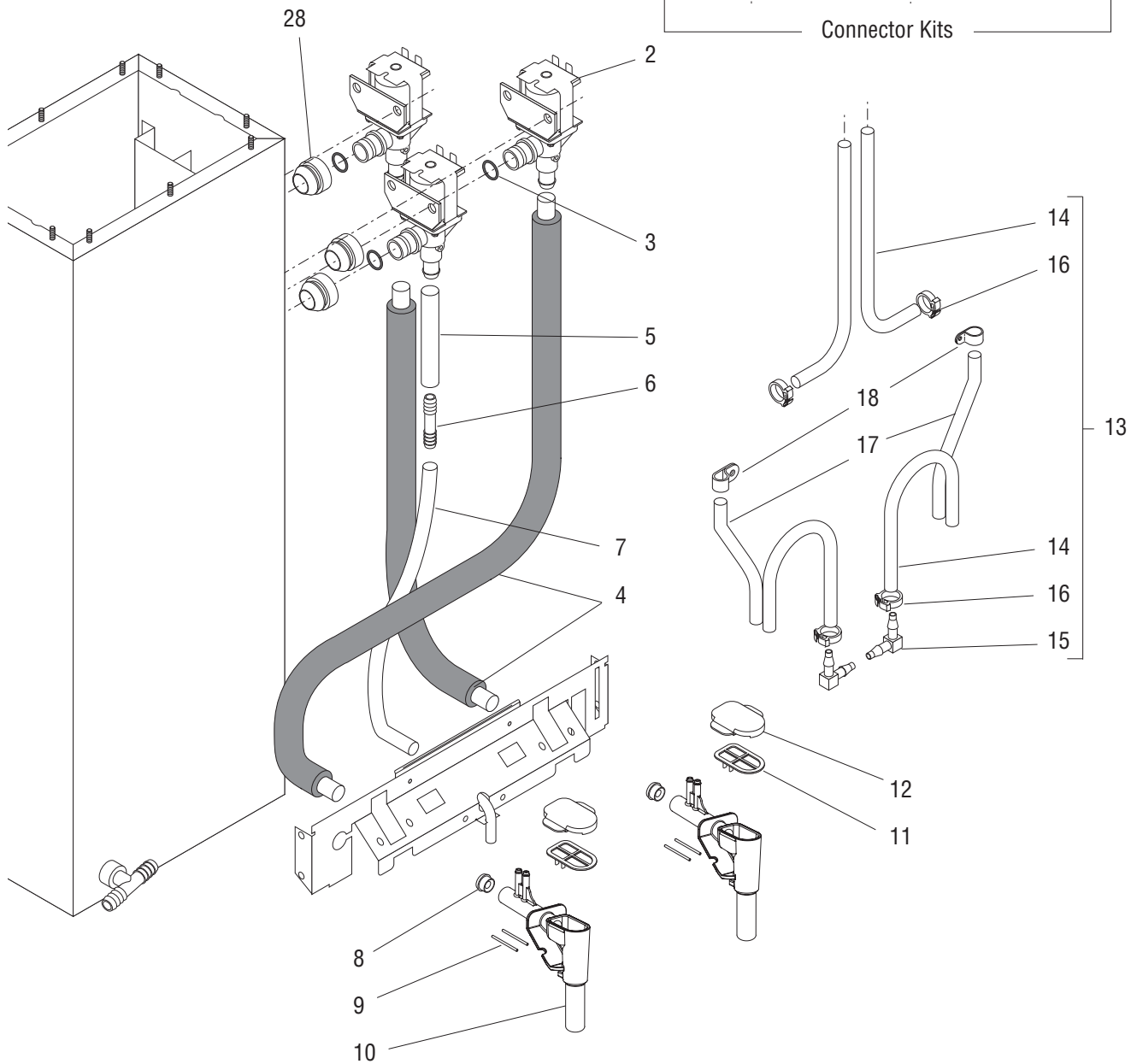
(Continued)



Early Models



Connector Kits



P2589

DISPENSE VALVES & LINES

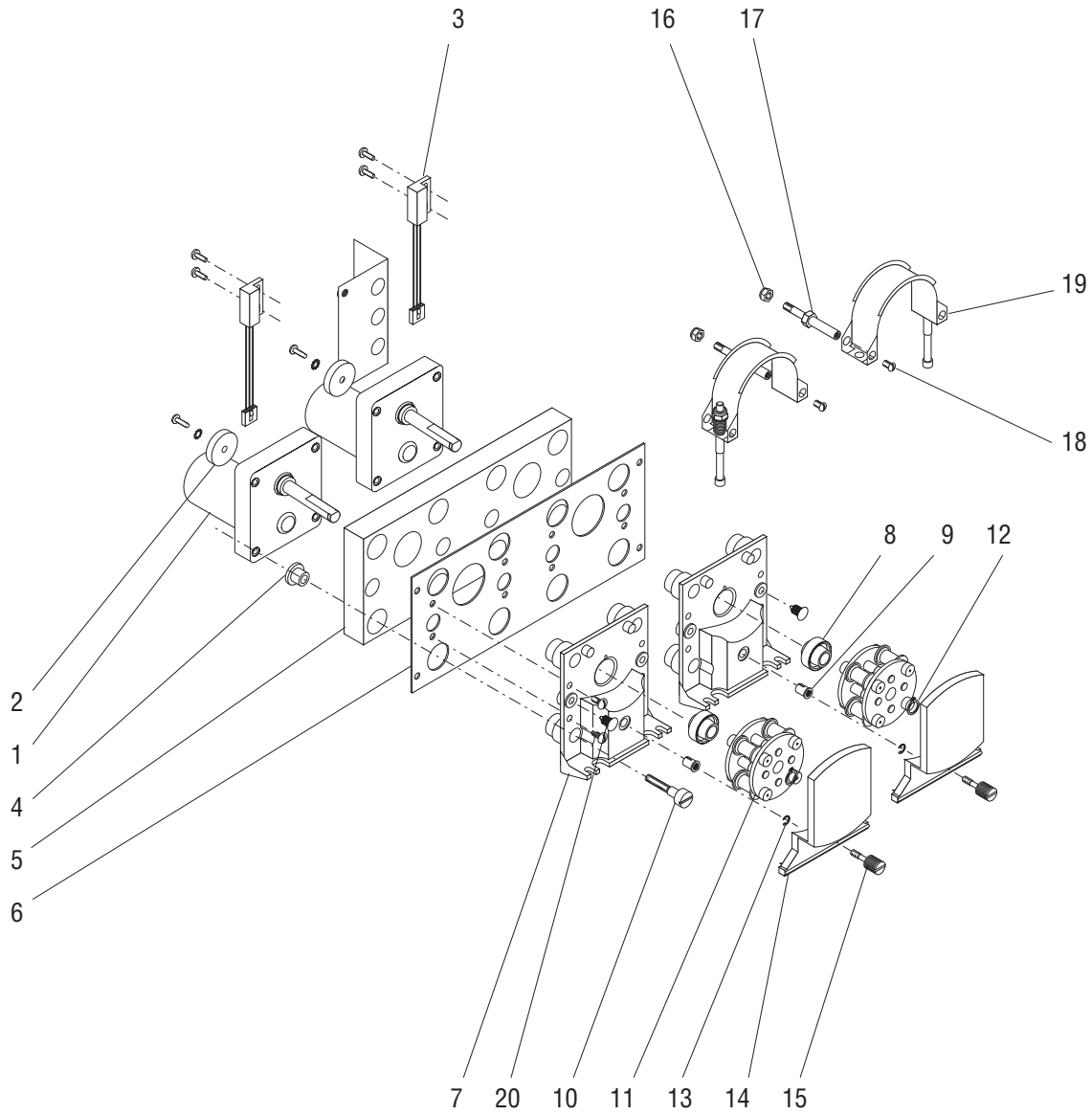
ITEM	PART NO.	QTY.	DESCRIPTION
28	37970.0000	3	Grommet, Valve Mounting (Late models only)
Items 29 through 41 are Not Illustrated			
29	34400.0200	-	Adapter Kit (Incl. items 13,16, 19 & 38)(Uses .125" I.D. Hose & Clamps)
30	34400.0201	-	Adapter Kit (Incl. items 13,16, 19 & 38)(Uses .188" I.D. Hose & Clamps)
35	34400.0208	-	Adapter Kit, 14.0" Feed End (Incl. items 13,16, 19 & 38)(Uses .188" I.D. Hose & Clamps)
36	33159.1000	-	Tube, Silicone .375" ID x 12.0" (Use as required)
	33159.1001	-	Tube, Silicone .375" ID x 36.0" (Use as required)
37	28526.1000	-	Tube, Silicone .313" ID x 12.0" (Use as required)
	28526.1001	-	Tube, Silicone .313" ID x 36.0" (Use as required)
	28526.1002	-	Tube, Silicone .313" ID x 60.0" (Use as required)
38	M2531.0001	-	Lube Compound .30 oz.
39	34726.1000	-	Tube, Norprene .125" I.D. x 10.0" (Use as required)
40	11707.1000	-	Tube, Silicone .25" ID x 12.0" (Use as required)
	11707.1001	-	Tube, Silicone .25" ID x 36.0" (Use as required)
	11707.1002	-	Tube, Silicone .25" ID x 120.0" (Use as required)
41	34202.0050	-	Repair Kit, Dispense Valve (Includes items for 1 Valve)

* Indicates the part number listed is for reference only. See DESCRIPTION for possible service replacement.



PUMP ASSEMBLY

LCR-2
LCR-2 PC



PUMP ASSEMBLY

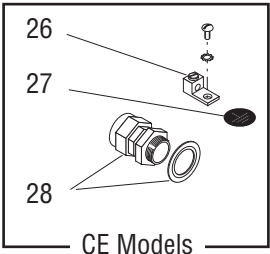
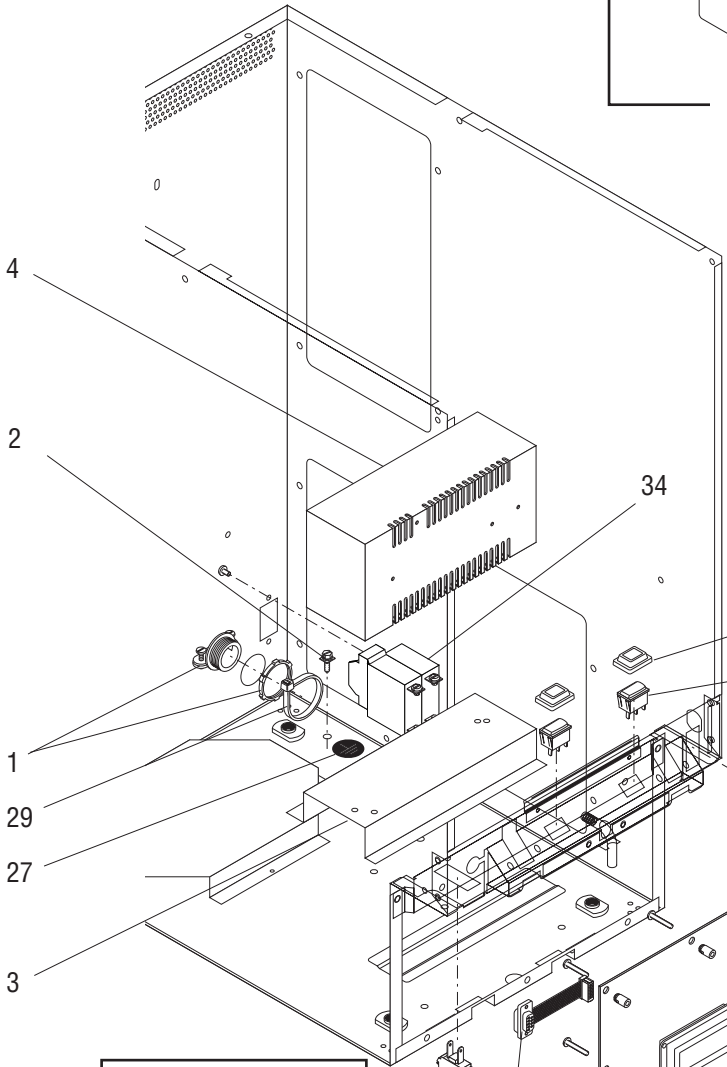
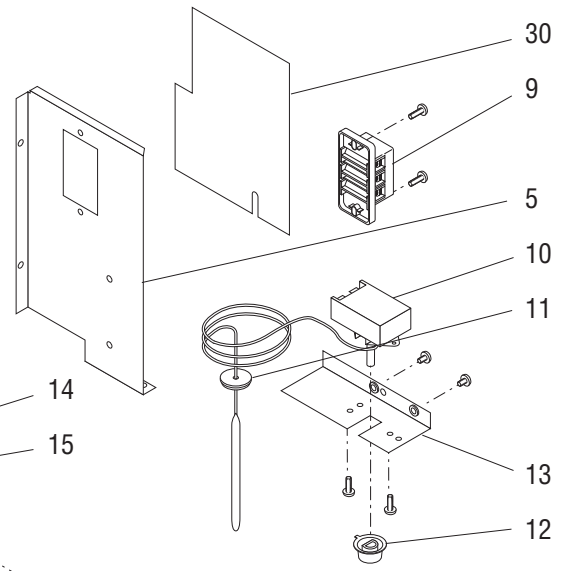
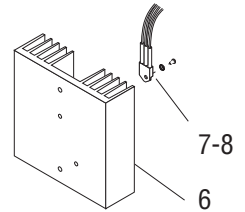
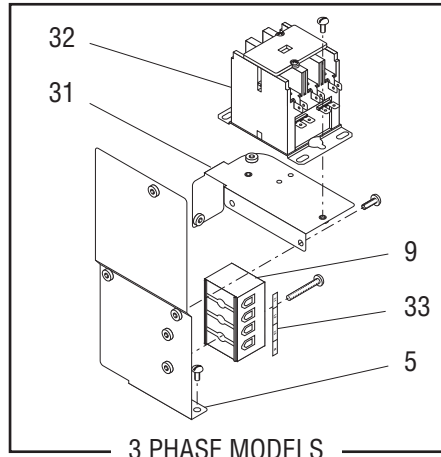
ITEM	PART NO.	QTY.	DESCRIPTION
-	34682.1000	1	Pump Assy. (Includes items 2 - 21)
1	34536.0001	2	Motor
2	32654.0000	2	Magnet Hub
	01512.0000	2	Lockwasher, Ext.-tooth #10
	01331.0004	2	Screw, Round Head Sltd. Locking #10-32 x .50"
3	33608.1000	2	RPM Sensor
	02336.0000	4	Screw, Truss Head Sltd. #4-40 x .38"
4	32957.0000	8	Bushing, Rubber
5	34748.0000	1	Insulation
6	34193.0000	1	Bracket, Pump Mounting
	01315.0005	4	Screw, Truss Head BLK #8-32 x .50"
7	34166.1002	2	Block Assy, Pump (Includes items 8 & 9)
	02328.0003	8	Screw, Pan Head Sltd. #6-32 x .312"
8	33825.0000	2	Bearing
9	32928.0000	2	Insert, Threaded #10-32
10	32927.0000	8	Shoulder Bolt #10-32
11	32706.1000	2	Rotor
12	32652.0000	2	Ring, Retaining
13	34998.0000	2	E-ring
14	34167.0000	2	Cover
15	34997.0000	2	Thumb Screw #10-32 x .625"
16	34765.0000	2	Nut, Flanged #10-32
17	32609.0000	2	Standoff
18	01311.0001	2	Screw, Truss Head Sltd. Locking #8-32 x .25"
19	40030.1000	2	Compression Band Assy.
20	36149.0000	2	Fastener, Snap in
21	00617.0000	1	Cable Tie

* Indicates the part number listed is for reference only. See DESCRIPTION for possible service replacement.



ELECTRICAL CONTROLS

LCR-2 LCR-2 PC



P2591

ELECTRICAL CONTROLS

ITEM	PART NO.	QTY.	DESCRIPTION
1	01590.0000	1	Cable Connector
2	01309.0000	1	Screw, Grounding #10-32 x .50"
3	34345.0001	1	Bracket
	01311.0000	1	Screw, Truss Head Sltd. #8-32 x .25"
4	33363.0003	1	Power Supply
	32283.0000	3	Screw, M4 x 6mm
5	34164.0000	1	Bracket
	38814.0000	1	Bracket (3 Phase models only)
	01311.0003	2	Screw, Truss Head Sltd. Blk #8-32 x .25"
	01311.0000	1	Screw, Truss Head Sltd. SST #8-32 x .25"
6	20541.0001	1	Heat Sink
	01347.0000	2	Screw, Truss Head Serr. #6-32 x .38"
7	12565.0011	1	Triac, 40A
	12565.0020	1	Triac, 40A (3 Phase models only)
	01520.0000	1	Lockwasher, Split #6
	02328.0003	1	Screw, Pan Head Sltd. #6-32 x .312"
8	M2522.1000	-	Heat Sink Compound
9	07038.0000	1	Terminal Block, 3-Pole
	01106.0003	1	Terminal Block, 2-Pole (230V CE models)
	01317.0000	2	Screw, Truss Head Sltd. #8-32 x .50"
	21869.0000	1	Terminal Block, 4-Pole (3 Phase models only)
	38030.0000	2	Screw, Fil Head #8-32 x 1.25"
10	07045.0004	1	Thermostat (Includes items 11, 12 & 13)(Early Models)
	02301.0001	2	Screw, Pan Head Phillips #6-32 x .312"
11	07073.0001	1	Grommet, Thermostat (Early Models)
12	00720.0000	1	Knob (Early Models)
13	28224.0001	1	Bracket (Early Models)
	01311.0003	2	Screw, Truss Head Sltd. Blk #8-32 x .25"
14	34390.0000	2	Cap, Rocker Switch
15	27437.0001	2	Switch, Selector
16	34386.0000	1	Switch, Door Open
17	34197.1003	1	Circuit Board, Control
	38123.0000	8	Screw, Truss Head #6-32 x 1.00"
18	29081.0003	8	Spacer
19	38492.0000	1	Bracket
	34380.0000	1	Bracket (230V CE & 3 Phase models only)
	01311.0000	2	Screw, Truss Head Sltd. #8-32 x .25"

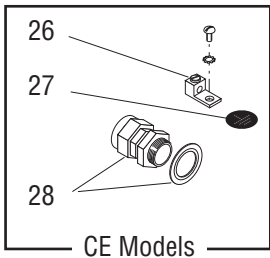
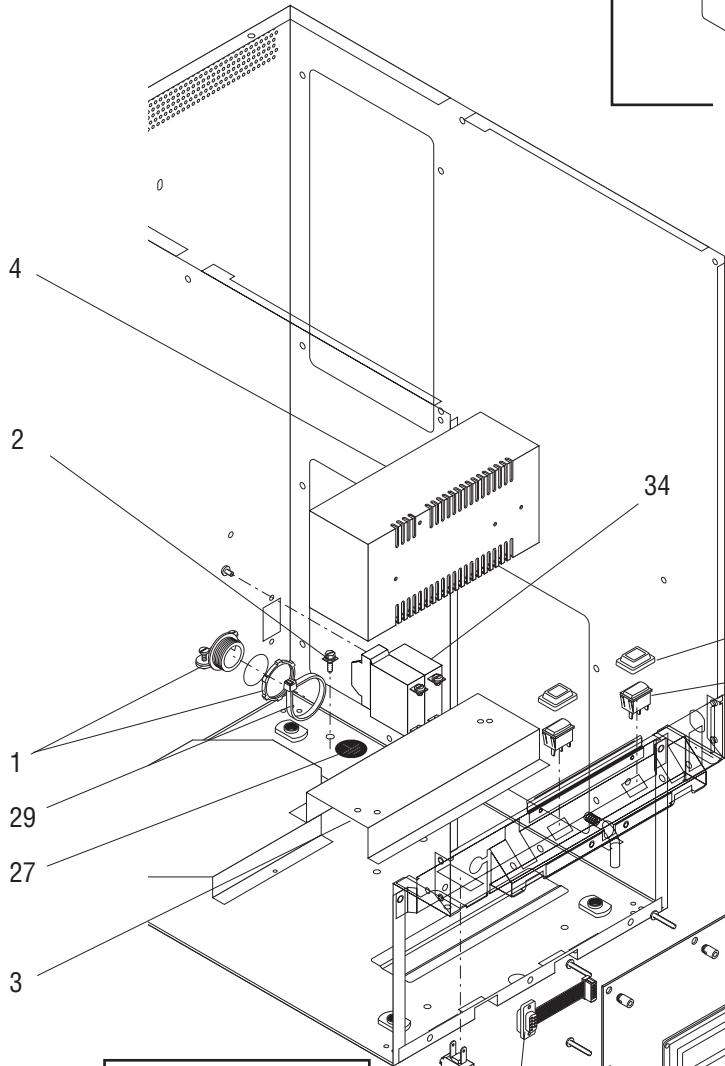
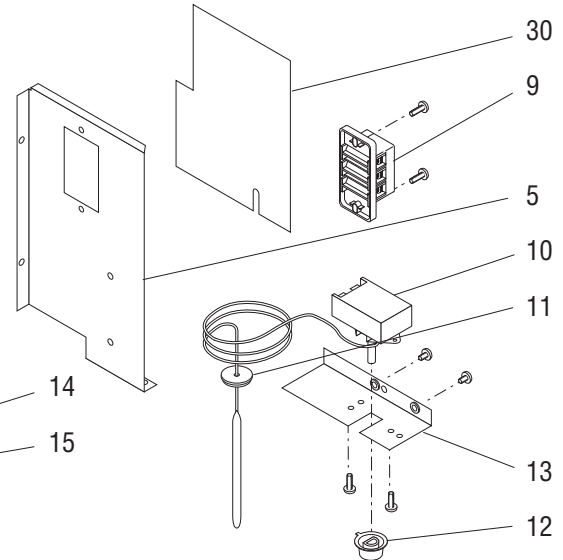
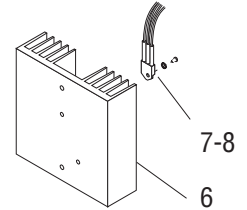
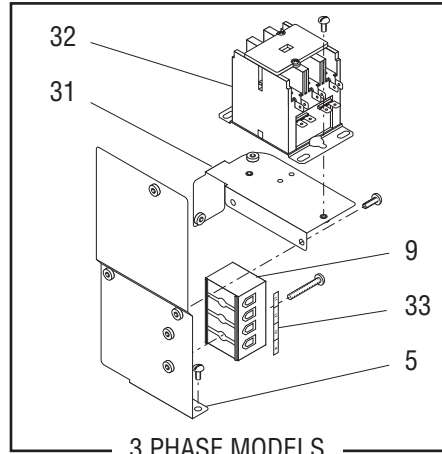
(Continued)

* Indicates the part number listed is for reference only. See DESCRIPTION for possible service replacement.



ELECTRICAL CONTROLS

LCR-2 LCR-2 PC



ELECTRICAL CONTROLS

ITEM	PART NO.	QTY.	DESCRIPTION
20	34205.1000	1	Membrane Switch
21	21741.0000	2	Fuse Holder (230V CE & 3 Phase models only)
	02328.0003	4	Screw, Pan Head Sltd. #6-32 x .312"
22	22012.0000	2	Fuse, 10A (230V CE & 3 Phase models only)
23	34393.0000	1	Cable, Ribbon
	02327.0002	2	Screw, Pan Head Sltd. Locking #4-40 x .312"
24	34386.0000	1	Switch, Dispense Volume Memory
25	27443.0001	1	Decal, Fuse Rating (230V CE & 3 Phase models only)
26	27705.0000	1	Terminal Lug (230V CE & 3 Phase models only)
	01375.0000	1	Screw, Pan Head Brass #10-32 x .50"
	01512.0000	1	Lockwasher, Ext.-tooth #10
27	00824.0002	1	Decal, Ground
28	32833.0000	1	Strain Relief, Cord (230V CE & 3 Phase models only)
	01531.0000	1	Washer, Reducing
29	36329.0002	1	Cable Tie, Power Cord Retainer
30	00637.0007	1	Shield. Terminal Block
31	38817.0000	1	Bracket, Contactor Mounting (3 Phase models only)
	01311.0000	2	Screw, Truss Head Sltd. #8-32 x .25"
32	38045.0000	1	Contactor, 3-Pole 208/240V (3 Phase models only)
	01311.0000	2	Screw, Truss Head Sltd. #8-32 x .25"
33	34588.0001	1	Decal, Terminal Block (3 Phase models only)
34	38894.0001	1	Switch, Master ON/OFF (Late Models)
	01308.0003	2	Screw, truss Head, Locking BLK #6-32 x .25"
	01327.0000	4	Screw, Pan Head #10-32 x .38" } Terminals
	01512.0000	4	Lockwasher #10 }

The following items are not illustrated

35	20630.0005	1	Power Cord (LCR-2 Models only)
	23799.0001	1	Power Cord (LCR-2C Models only)
	42749.0112	1	Power Cord (LCR-2A Models only)
36	34534.0000	1	Harness, Main Wiring (Early models)
	36798.0000	1	Harness, Main Wiring (Late models)
	34534.0001	1	Harness, Main Wiring (230V CE models)(Early models)
	36798.0001	1	Harness, Main Wiring (230V CE models)(Late models)
	36798.0002	1	Harness, Main Wiring (3 Phase models only)
37	34535.0000	1	Harness, Switches/Power (Early models)
	38570.0001	1	Harness, Switches/Power (Late models)
38	34519.0000	1	Harness, Portion Control Wiring (Early models)
39	34523.0000	1	Harness, Motors Wiring

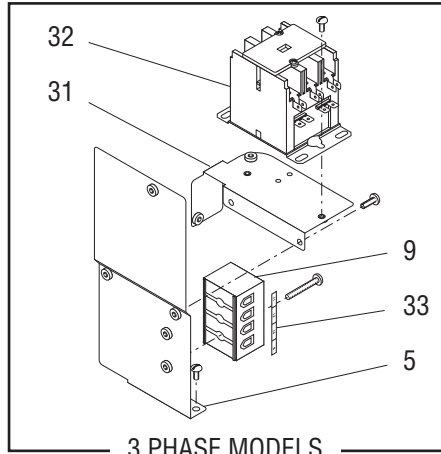
(Continued)

* Indicates the part number listed is for reference only. See DESCRIPTION for possible service replacement.

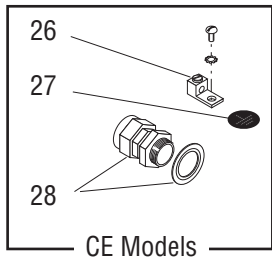
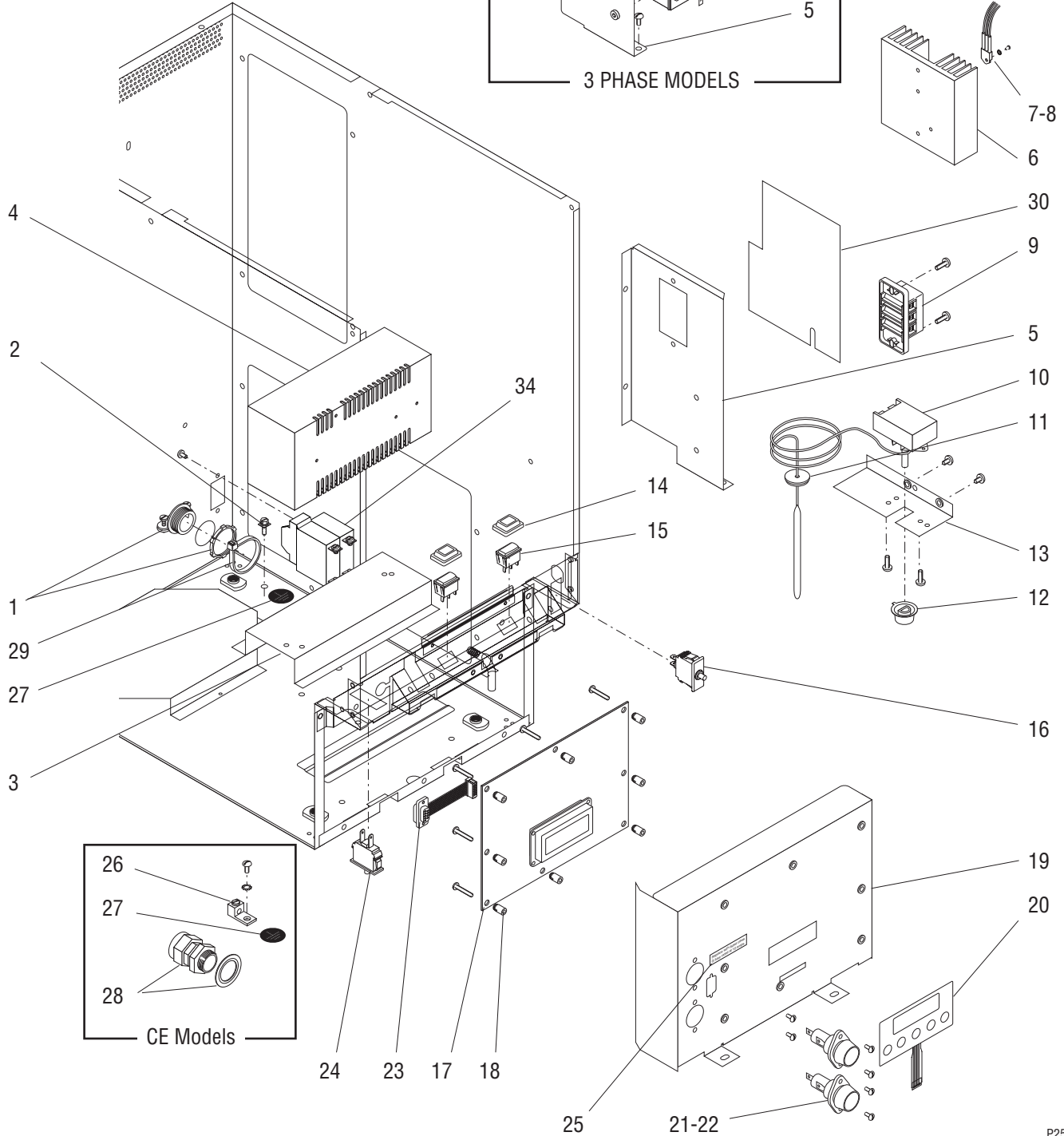
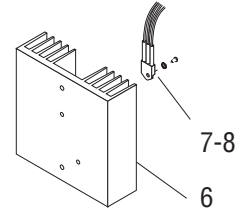


ELECTRICAL CONTROLS

LCR-2 LCR-2 PC



3 PHASE MODELS



CE Models

ELECTRICAL CONTROLS

ITEM	PART NO.	QTY.	DESCRIPTION
40	34525.0000	1	Harness, T-block to Tank Heater & Limit
	34525.0001	1	Harness, T-block to Tank Heater & Limit (Master ON/OFF Switch)
41	34526.0000	1	Harness, Probe Wiring (Early models)
42	36045.0000*	1	Harness, Refrigeration (Early models)
43	34961.0000	1	Harness, Tube Warmer Wiring (Early models)
44	21014.0196	1	Lead, Thermostat Blk 30.0" (Early Models)
45	35081.0000	1	Wire, Double Limit Jumper (230V CE models)
46	36049.0000	1	Jumper - Compressor Module
	36049.0007	1	Jumper - Compressor Module (High Flow)
47	36049.0003	1	Jumper, Circuit Board (Models with Pull and Hold Controls)
	36049.0007	1	Jumper, Circuit Board (Models with Pull and Hold Controls) (High Flow)
	36049.0001	1	Jumper, Circuit Board (Models with Portion Controls)
	36049.0008	1	Jumper, Circuit Board (Models with Portion Controls)(High Flow)
	36049.0006	1	Jumper, Circuit Board (3 Phase models with Portion Controls)
48	37518.0001	1	Harness, Door Wiring (Late models)
49	21012.0133	3	Lead, Electric 12AWG Blue 6.0"
50	39621.0000	1	Wiring Harness, Contactor to Tank Heater
51	39621.0001	1	Wiring Harness, Terminal block to Contactor
52	39621.0002	1	Wiring Harness, Protection
53	39630.0000	1	Capacitor Assy, W/Leads (3 Phase Models)
54	38920.0000	1	Wiring Harness, Master ON/OFF Switch to Terminal Block
55	34808.0002	1	Capacitor, EMI Filter (3 Phase Models)

* Indicates the part number listed is for reference only. See DESCRIPTION for possible service replacement.