



JDF-2S *Silver Series®*

JDF-2S P/H or P/C with Non LIT or LIT Graphic Door
JDF-2S P/H or P/C with LIT 2 Segment GFX Door



ILLUSTRATED PARTS CATALOG

Designs, materials, weights, specifications, and dimensions for equipment or replacement parts are subject to change without notice.

BUNN-O-MATIC CORPORATION

POST OFFICE BOX 3227

SPRINGFIELD, ILLINOIS 62708-3227

PHONE: (217) 529-6601 FAX: (217) 529-6644

www.bunn.com

BUNN-O-MATIC COMMERCIAL PRODUCT WARRANTY

Warranty statements and information can be found on our website. Please visit <https://commercial.bunn.com/support/warranty-lookup> for further details.

TABLE OF CONTENTS

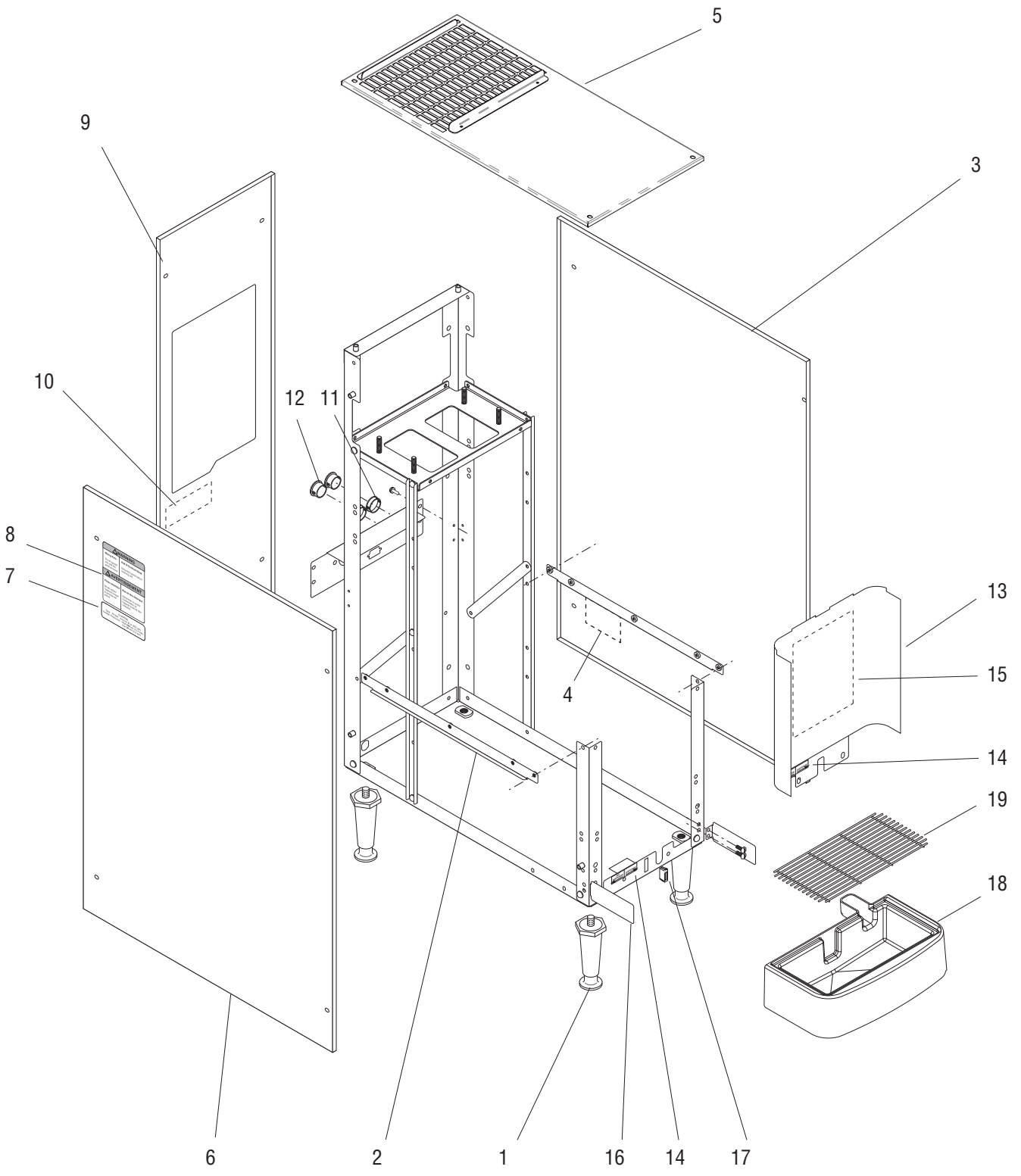
Main Frame & Covers	4
Upper Cabinet & Panels.....	6,8
Refrigeration Components.....	10,12,14,16
Compressor Components.....	18,20,22
Fan Assembly	24
Water Tank Assy.....	26,28,30,32
Circulation Pump & Lines.....	34,36
Product Coil & Lines	38,40
Dispense Platform Assy	42
Dispense Valve Assy.....	44
Plain Water Manifold	46
Door Assy - Unlited	48
Door Assy - Lited w/Mechanical Switches.....	50
Door Assy - Lited w/Bezel & /Membrane Switches.....	52
Door Assy - Lited 2 Segment Display	54
Door Assy - Unlited Push/Hold Membrane Switches.....	56
Door Assy - Lited w/PH or PC Membrane Switches	58
Electrical Components.....	60,62
Refillable Container Assy.....	64
Touchless Sensor Technology Kit.....	66

To search this document electronically, press “control” + “F” (on P.C.) or “command” + “F” on Mac, then type in description or part number, press “enter”.



MAIN FRAME & COVERS

JDF-2S



P3613

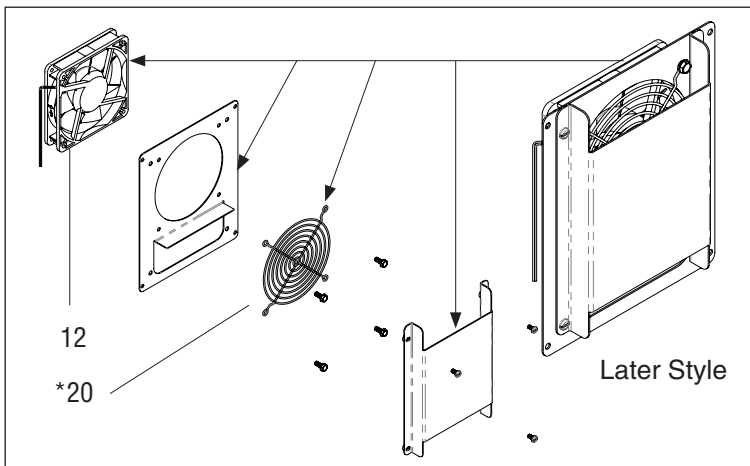
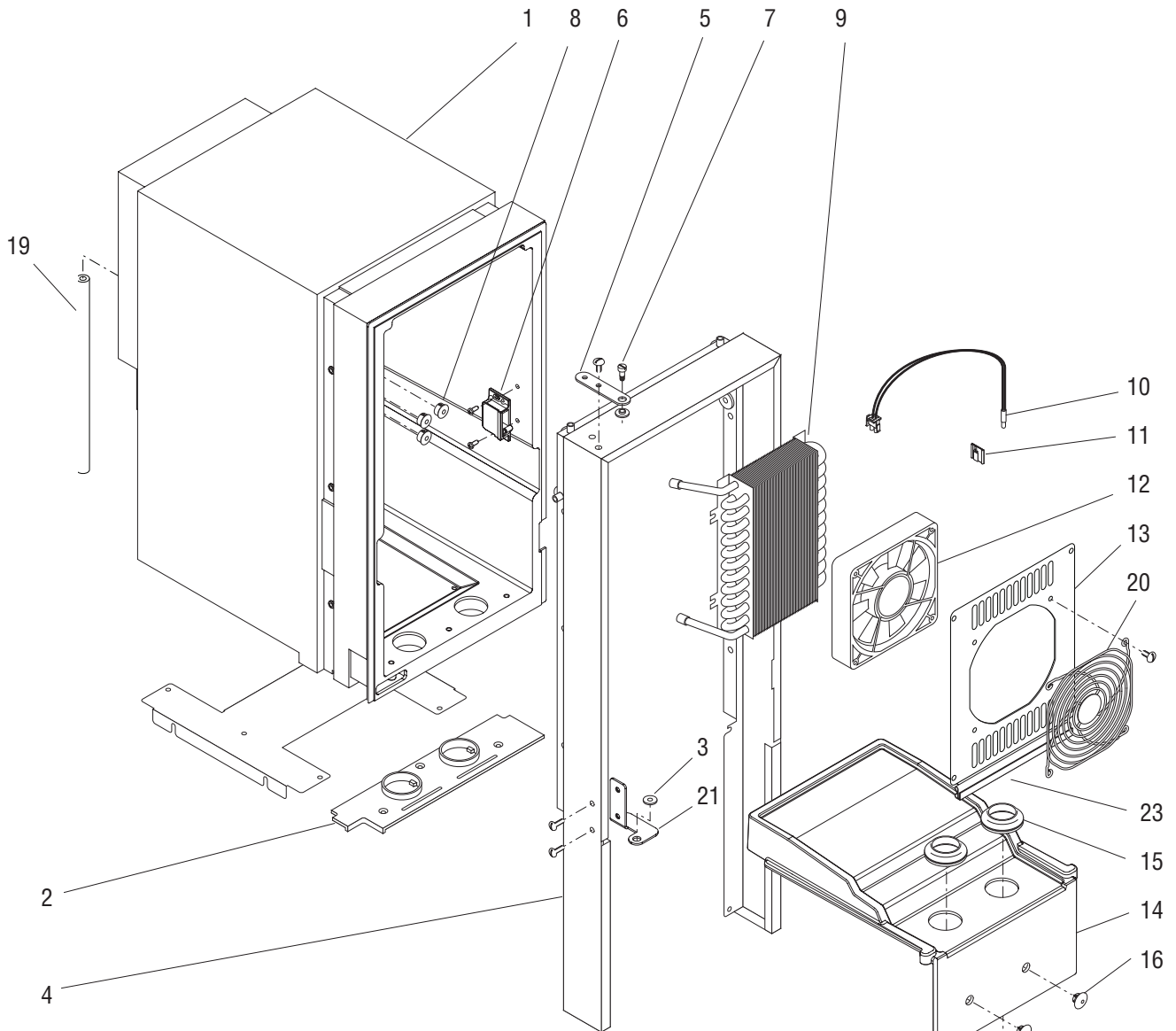
MAIN FRAME & COVERS

ITEM	PART NO.	QTY.	DESCRIPTION
1	26528.0000	4	Leg
	03996.0000	4	Pad, Non-skid
2	38654.0000	1	Bracket, Side
	02308.0000	4	Screw, Pan Head #8-32 x .38"
3	39491.1002	1	Panel w/Decals, Right (Includes item 4)
	02331.0001	4	Screw, Truss Head, Blk #10-32 x .38"
	01532.0000	1	Lockwasher, Int.-tooth .438"
4	00986.7000	1	Decal, Warning - Electrical
5	53916.0001	1	Panel, Top
	02331.0001	4	Screw, Truss Head, Blk #10-32 x .38"
	01532.0000	1	Lockwasher, Int.-tooth .438"
6	39491.1001	1	Panel w/Decals, Left (Includes items 7 & 8)
	02331.0001	4	Screw, Truss Head, Blk #10-32 x .38"
	01532.0000	1	Lockwasher, Int.-tooth .438"
7	33461.0001	1	Decal, Refrigerant Charge (Early Models)
	33461.0013	1	Decal, Refrigerant Charge (Late Models)
8	27442.7000	2	Decal, Warning - Moving Parts
9	42478.1001	1	Panel w/Decals, Rear (Includes item 10)
	02331.0001	4	Screw, Truss Head, Blk #10-32 x .38"
	01532.0000	1	Lockwasher, Int.-tooth .438"
10	00656.0001	1	Decal, Comply To Plumbing Code
11	27354.0000	2	Bushing
12	00668.0000	2	Plug
13	38661.0000	1	Panel, Splash (Also order items 14 & 15)
	02308.0000	2	Screw, Pan Head #8-32 x .38"
14	38950.0000	2	Decal, Dispense/No Dispense
15	44745.0000	1	Schematic, Electrical
16	38617.0001	2	Bracket
	02308.0000	4	Screw, Pan Head #8-32 x .38"
17	21436.0000	1	Catch, Magnetic
18	38765.1000	1	Drip Tray Assy (Includes Strike Plate and item 19)
	44015.1001	1	Drip Tray Assy, Extended (Optional Equipment)
19	26801.0000	1	Grate, Drip Tray



UPPER CABINET & PANELS

JDF-2S



P3614

UPPER CABINET & PANELS

ITEM	PART NO.	QTY.	DESCRIPTION
1	38857.1000	1	Cabinet Assy
	24544.0000	6	Screw, Pan Head #8-18
2	34784.0000	1	Plate, Bottom Closure
	01359.0000	3	Screw, Flat Head #8-32 x .38"
3	34362.0002	1	Bushing, Hinge
4	34790.0002	1	Wrap (Late Models with bolt on door hinge)
	24544.0000	6	Screw, Pan Head #8-1
	02308.0000	4	Screw, Pan Head #8-32 x .38"
5	34785.0001	1	Bracket, Hinge
	02331.0001	2	Screw, Truss Head, Blk #10-32 x .38"
	43951.0000	2	Washer
6	34666.0001	1	Catch, Door Latch
	01388.0000	2	Screw, Truss Head #6 x .75"
7	34741.0001	1	Screw, Shoulder
8	00669.0002	3	Plug
9	34419.0001	1	Coil, Water
	24544.0000	4	Screw, Pan Head #8-18
10	43694.0000	1	Sensor Assy, Temperature
11	33669.0000	1	Clip, Adhesive Back
12	33297.0000	1	Fan Assy.
	38616.0000	2	Screw, Hex Head #10-24
13	34421.0001	1	Cover, Fan
	24544.0000	4	Screw, Pan Head #8-18
14	34422.0003	1	Shelf, Product
15	32461.0000	2	Gasket, Drip
16	27394.0000	2	Plug
17	35930.0000	2	Nozzle
	49819.1000	-	Nozzle, Quick Stop, White (Optional)(Qty-1, Includes item 18 & 24)
	49819.1001	-	Nozzle, Quick Stop, Black (Optional)(Qty-1, Includes item 18 & 24)
	49819.1002	-	Nozzle Kit, Quick Stop, White (Set of 2, Includes item 18 & 24)
	49819.1003	-	Nozzle Kit, Quick Stop, Black (Set of 2, Includes item 18 & 24)
18	32848.0000	4	O-ring (Also order item 24)

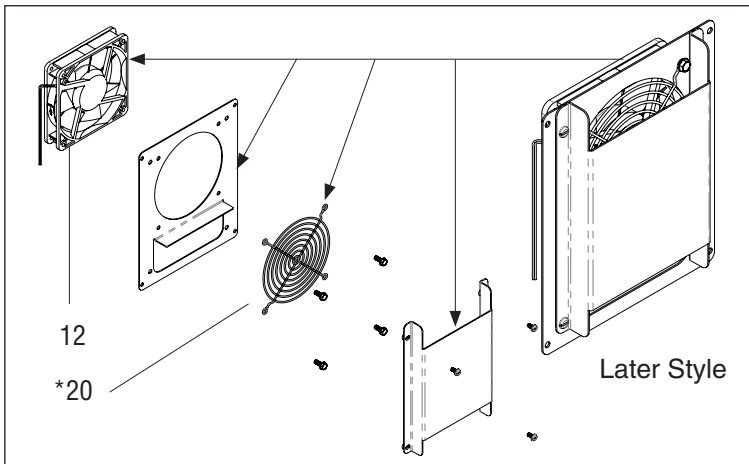
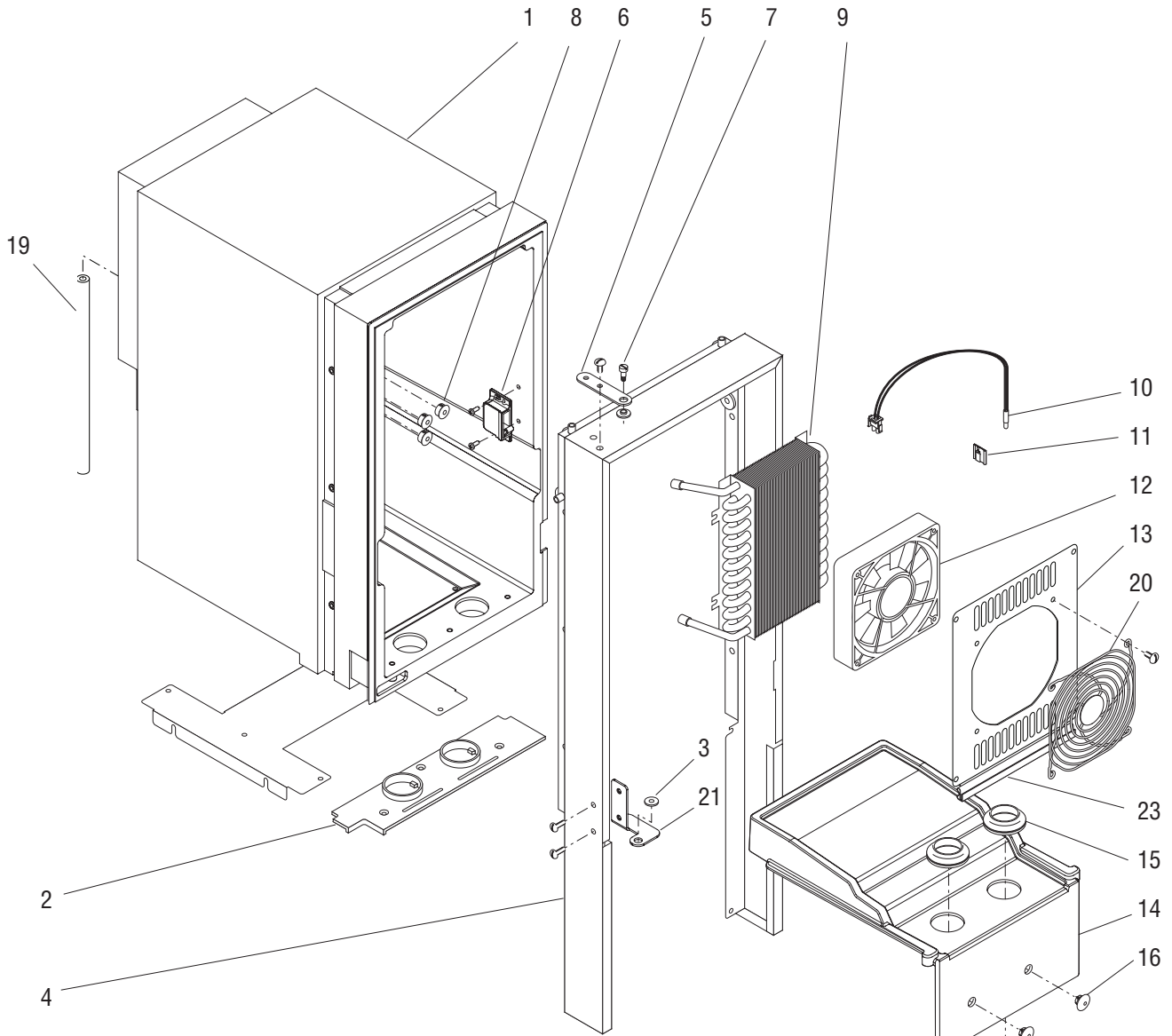
(Continued)



UPPER CABINET & PANELS

JDF-2S

(Continued)



P3614

UPPER CABINET & PANELS

ITEM	PART NO.	QTY.	DESCRIPTION
19		1	Tube, Silicone .25"ID x 9.0" (Order item 25)
20	34010.0001	1	*Guard, Fan
	34010.0002	1	Guard, Fan (Salt Air Resistant)
	38616.0000	2	Screw, Hex Head #10-24
21	41385.0000	1	Bracket (Late Models with bolt on door hinge)
	02308.0000	2	Screw, Pan Head #8-32 x .38"
22	53480.1001	1	Kit, Fan Assy JDF-2S (Later Style)
23	39086.1000	1	Kit, Fan Seal Cover

The following items are not illustrated

24	44023.1000	-	Lube, Silicone Haynes 1.0 oz Tube (Use when assembling item 18)
25	11707.1000	-	Tube, Silicone .25"ID x 12.0" (Use as required)

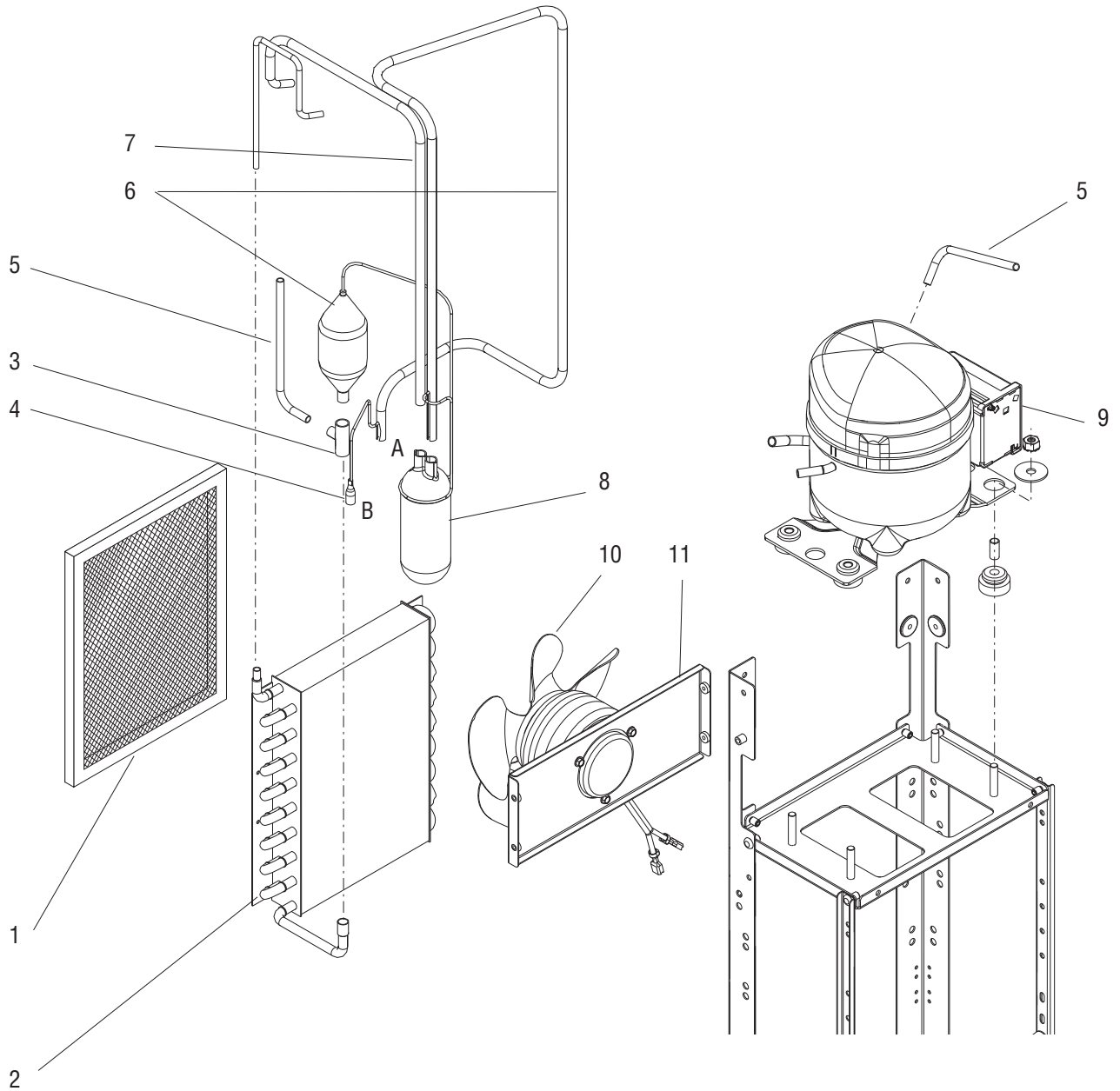
REFRIGERATION COMPONENTS (LATE MODELS w/ CUBIGEL B38G5L COMPRESSOR)

ITEM	PART NO.	QTY.	DESCRIPTION
1	35164.1001	1	Air Filter Assy (Includes item 13)
2	29951.0004 02335.0001	1 4	Condenser Screw, Crimptite #8 x .38"
3	00396.0002	1	Tee (Requires brazing to install)
4	35178.0000	1	Adapter (Requires brazing to install)
5	38937.0000	2	Tube (Requires brazing to install)
6	35175.1002	1	Filter Dryer Assy (Requires brazing to install)
7	32776.0000	1	Accumulator
8	----- 23700.0000	1 4	Compressor (See COMPRESSOR COMPONENTS) Nut .25"-20
9	----- 27243.0000	1 3	Fan Assy (See FAN ASSEMBLY) Screw #8-36 x .437"
10	52454.0003 02335.0001	1 3	Guard, Wire Form Screw, Crimptite #8 x .38"
11	M2546.1000	-	Tape, Tube Insulating (Use as required)
12	M2336.1000	-	Insulation, Tube 25/50 - 0.25"ID x .19" wall x 6.0 Ft (Use as required)
13	12467.1002 12468.1002	- -	Velcro, Loop 3.5" (4 pieces) Velcro, Hook 3.5" (4 pieces) } Not Illustrated



REFRIGERATION COMPONENTS (LATE MODELS w/ CUBIGEL GD40ME COMPRESSOR)

JDF-2S



P4362.65

NOTE: Letters appearing within this illustration correspond to matching connections in other illustrations.

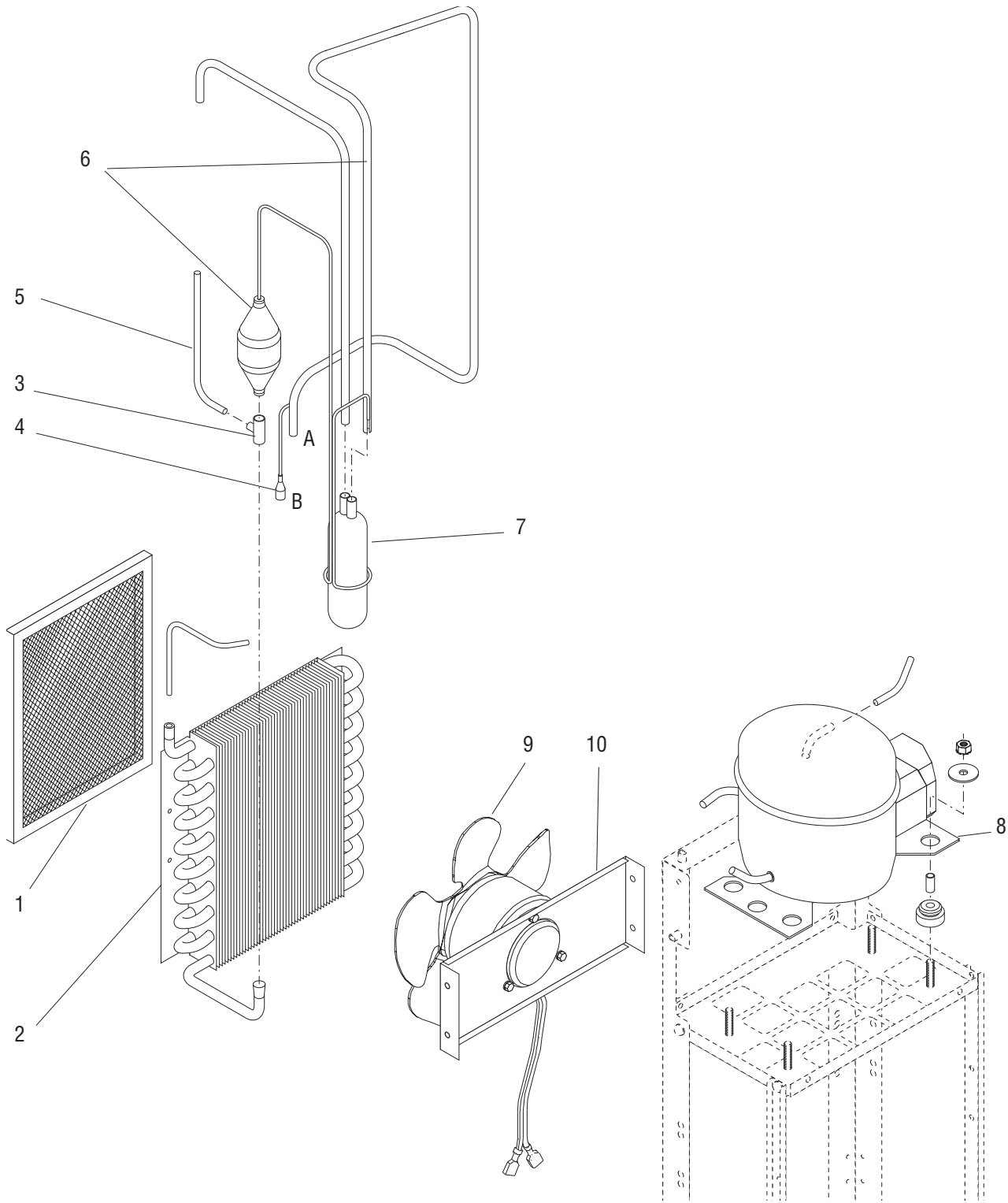
REFRIGERATION COMPONENTS (LATE MODELS w/ CUBIGEL GD40ME COMPRESSOR)

ITEM	PART NO.	QTY.	DESCRIPTION
1	35164.1001	1	Air Filter Assy (Includes item 14)
2	29951.0004 02335.0001	1 4	Condenser Screw, Crimptite #8 x .38"
3	00396.0002	1	Tee (Requires brazing to install)
4	35178.0000	1	Adapter (Requires brazing to install)
5	38937.0000	2	Tube (Requires brazing to install)
6	35175.1002	1	Filter Dryer Assy (Requires brazing to install)
7	51997.0000	1	Tube (Requires brazing to install)
8	32776.0000	1	Accumulator
9	----- 23700.0000	1 4	Compressor (See COMPRESSOR COMPONENTS) Nut .25"-20
10	----- 27243.0000	1 3	Fan Assy (See FAN ASSEMBLY) Screw #8-36 x .437"
11	34418.0001 02308.0000	1 4	Bracket Screw, Pan Head #8-32 x .38"
12	M2546.1000	-	Tape, Tube Insulating (Use as required)
13	M2336.1000	-	Insulation, Tube 25/50 - 0.25"ID x .19" wall x 6.0 Ft (Use as required)
14	12467.1002 12468.1002	- -	Velcro, Loop 3.5" (4 pieces) Velcro, Hook 3.5" (4 pieces) } Not Illustrated



REFRIGERATION COMPONENTS (EARLY MODELS w/ CUBIGEL COMPRESSOR)

JDF-2S

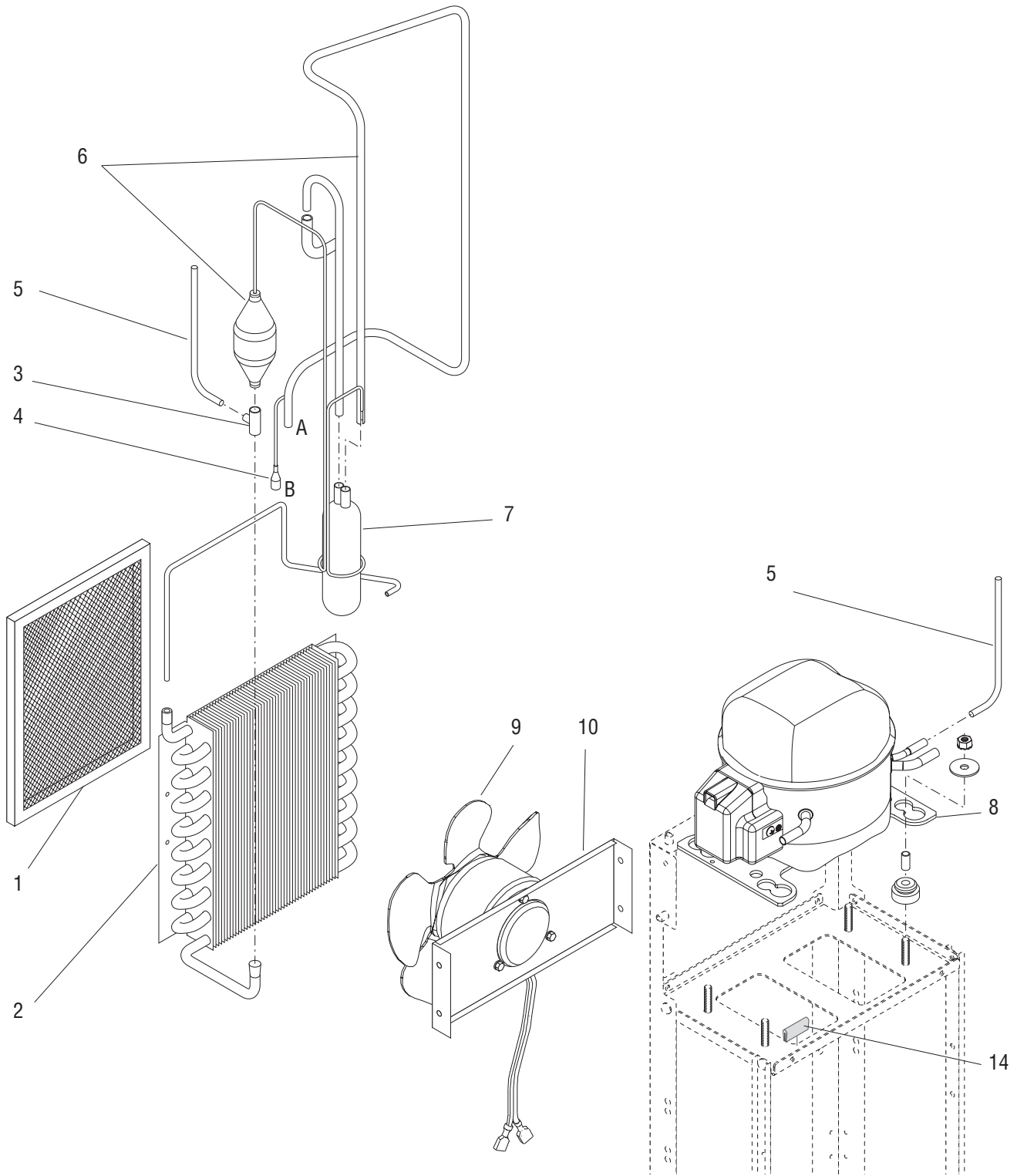


P3615.65

NOTE: Letters appearing within this illustration correspond to matching connections in other illustrations.

REFRIGERATION COMPONENTS (EARLY MODELS w/ CUBIGEL COMPRESSOR)

ITEM	PART NO.	QTY.	DESCRIPTION
1	35164.1001	1	Air Filter Assy (Includes item 13)
2	29951.0004	1	Condenser
	02335.0001	4	Screw, Crimptite #8 x .38"
3	00396.0002	1	Tee (Requires brazing to install)
4	35178.0000	1	Adapter (Requires brazing to install)
5	38937.0000	1	Tube (Requires brazing to install)
6	35175.1002	1	Filter Dryer Assy (Requires brazing to install)
7	32776.0000	1	Accumulator
8	-----	1	Compressor (See COMPRESSOR COMPONENTS)
	00901.0000	4	Nut .25"-20
9	-----	1	Fan Assy (See FAN ASSEMBLY)
	27243.0000	3	Screw #8-36 x .437"
10	34418.0001	1	Bracket
	02308.0000	4	Screw, Pan Head #8-32 x .38"
11	M2546.1000	-	Tape, Tube Insulating (Use as required)
12	M2336.1000	-	Insulation, Tube 25/50 - 0.25"ID x .19" wall x 6.0 Ft (Use as required)
13	12467.1002	-	Velcro, Loop 3.5" (4 pieces)
	12468.1002	-	Velcro, Hook 3.5" (4 pieces)
			} Not Illustrated

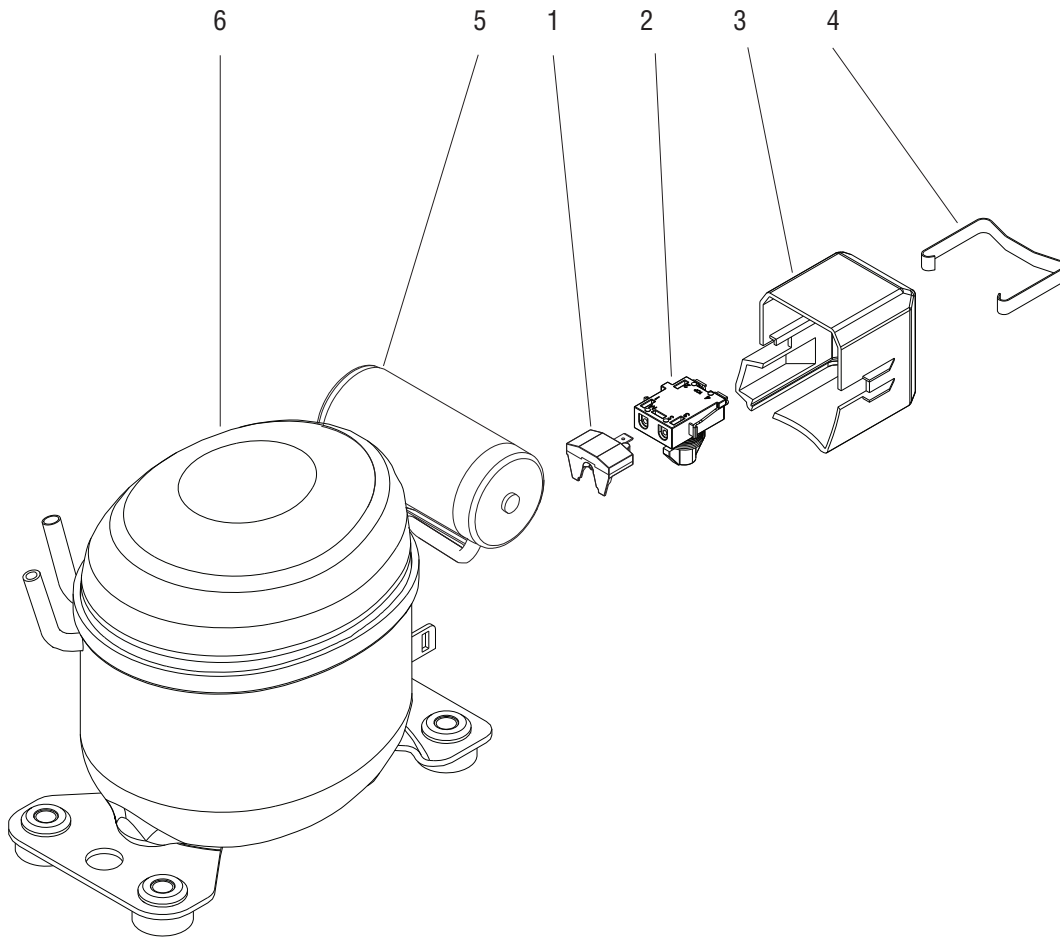


P4297

NOTE: Letters appearing within this illustration correspond to matching connections in other illustrations.

REFRIGERATION COMPONENTS (LG COMPRESSOR)

ITEM	PART NO.	QTY.	DESCRIPTION
1	35164.1001	1	Air Filter Assy (Includes item 13)
2	29951.0004	1	Condenser
	29951.0005	1	Condenser (Salt Air Resistant)
	02335.0001	4	Screw, Crimpite #8 x .38"
3	00396.0002	1	Tee (Requires brazing to install)
4	35178.0000	1	Adapter (Requires brazing to install)
5	38937.0000	2	Tube (Requires brazing to install)
6	35175.1002	1	Filter Dryer Assy (Requires brazing to install)
7	32776.0000	1	Accumulator
8	-----	1	Compressor (See COMPRESSOR COMPONENTS)
	00901.0000	4	Nut .25"-20
9	-----	1	Fan Assy (See FAN ASSEMBLY)
	27243.0000	3	Screw #8-36 x .437"
10	34418.0001	1	Bracket
	02308.0000	4	Screw, Pan Head #8-32 x .38"
11	M2546.1000	-	Tape, Tube Insulating (Use as required)
12	M2336.1000	-	Insulation, Tube 25/50 - 0.25"ID x .19" wall x 6.0 Ft (Use as required)
13	12467.1002	-	Velcro, Loop 3.5" (4 pieces)
	12468.1002	-	Velcro, Hook 3.5" (4 pieces)
			} Not Illustrated
14		1	Edging 1.0" (Order item 15)
15	41105.1000	-	Edging, 12.0" (Use as required)

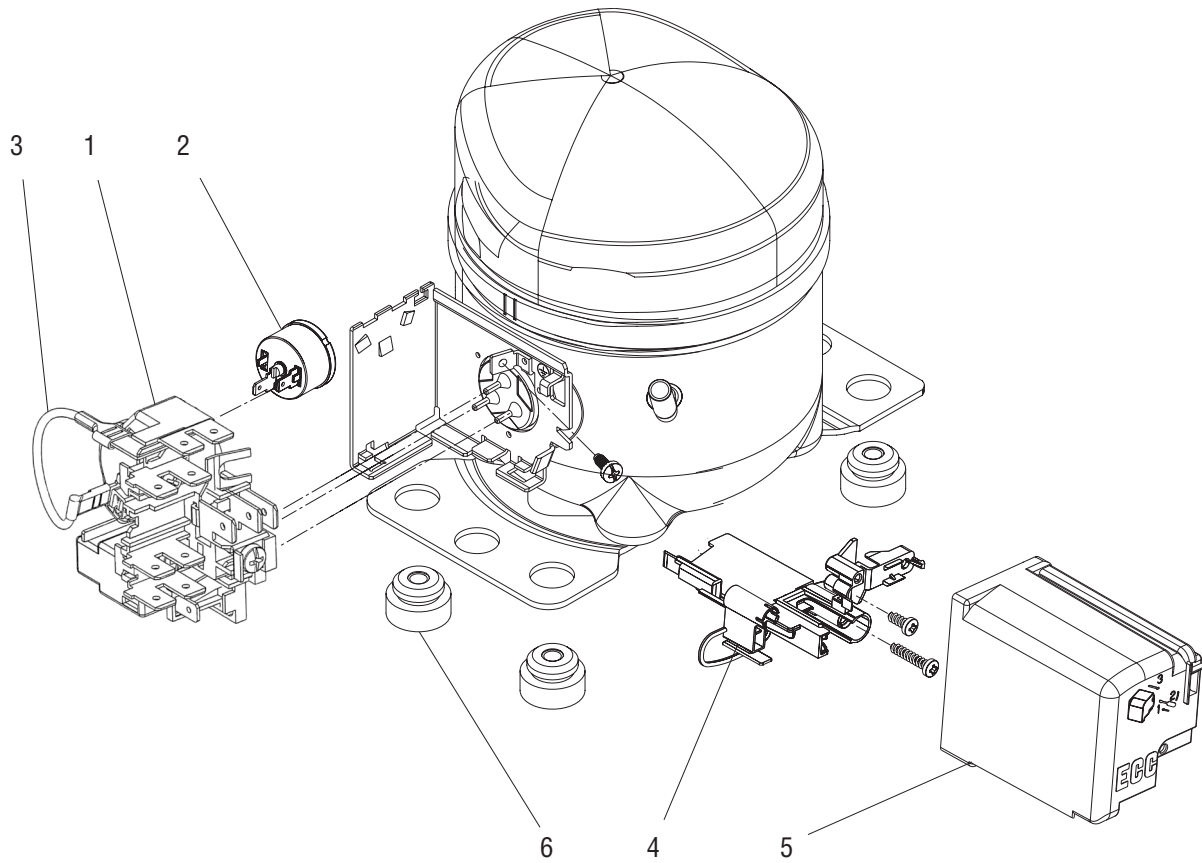


COMPRESSOR COMPONENTS (CUBIGEL B38G5L)

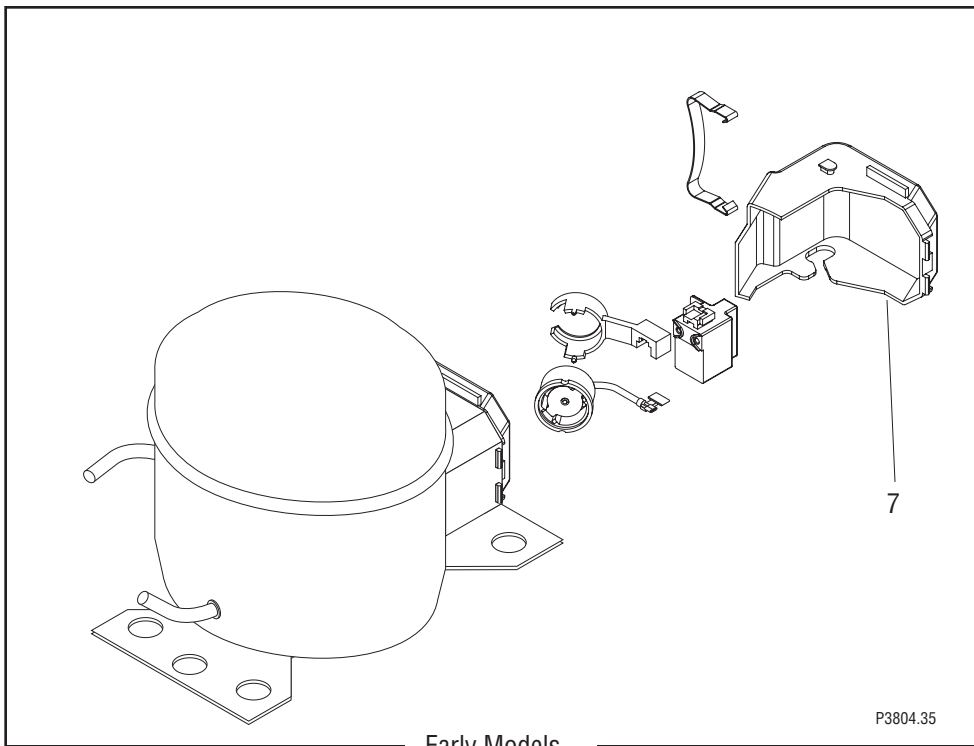
ITEM	PART NO.	QTY.	DESCRIPTION
1	53852.0000	1	Relay, Compressor 120V
2	53851.0000	1	Overload Protector 120V
3	53847.0000	1	Cover
4	53848.0000	1	Clip
5	53849.0000	1	Capacitor
6	53850.1000	1	Kit, JDF-2S Compressor (B38G5L) Replacement 120V (Kit replaces either an LG NS36 or CUBIGEL GD40)

The following items are not illustrated

7	52243.0000	1	Wiring Harness, B38G5L Compressor/Cap Extension
---	------------	---	---



P4040.30

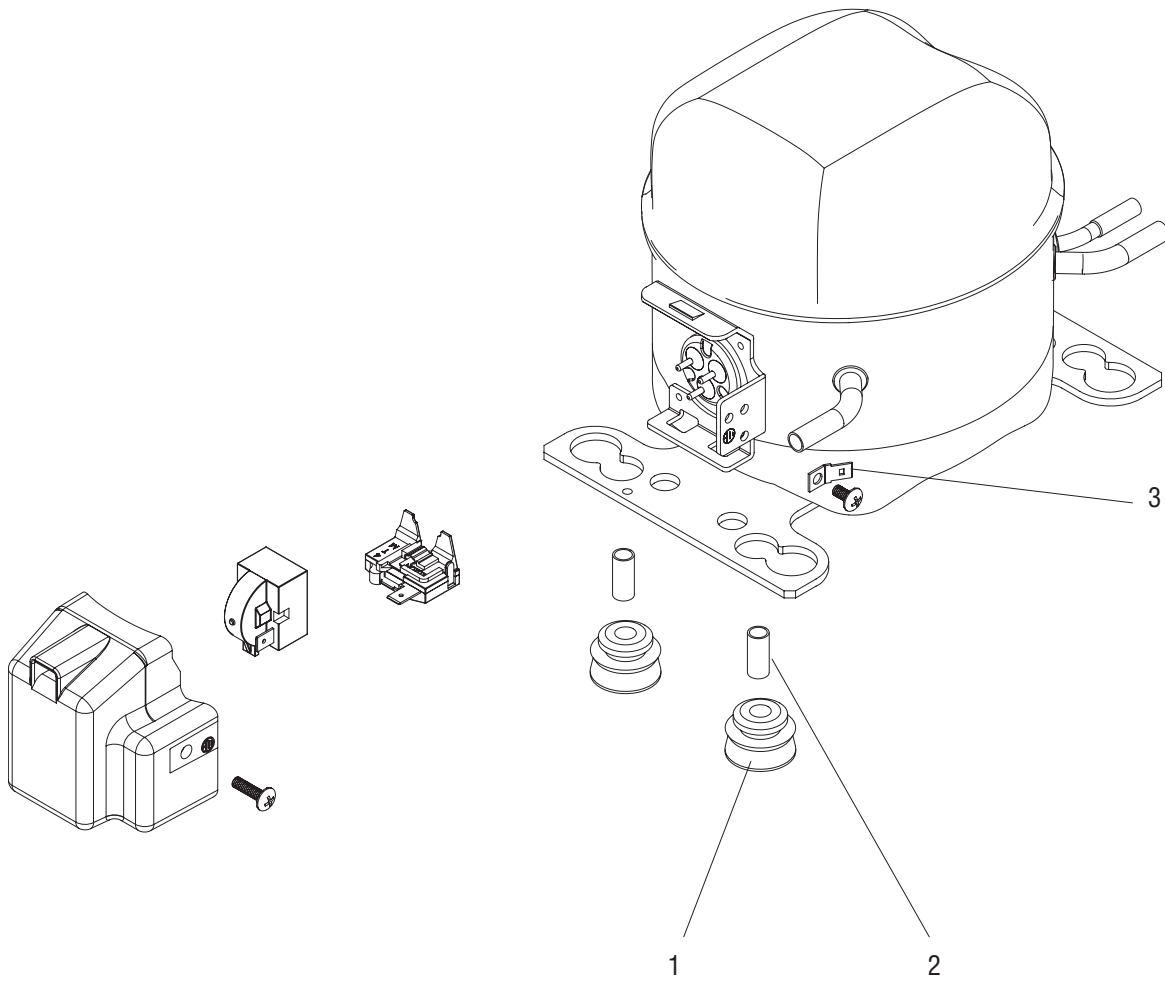


P3804.35

Early Models

COMPRESSOR COMPONENTS (CUBIGEL GD40ME)

ITEM	PART NO.	QTY.	DESCRIPTION
1	39912.0002	1	Relay, Compressor 120V
	39912.0003	1	Relay, Compressor 230V
2	39908.0002	1	Overload Protector 120V
	39908.0003	1	Overload Protector 230V
3	41398.0000	1	Cable
4	41397.0000	1	Strain Relief
5	39907.0000	1	Cover
6	41396.0000	1	Mounting Kit (Includes 4 Grommets and Sleeves)
7	38896.0000	1	Cover



P4298.30

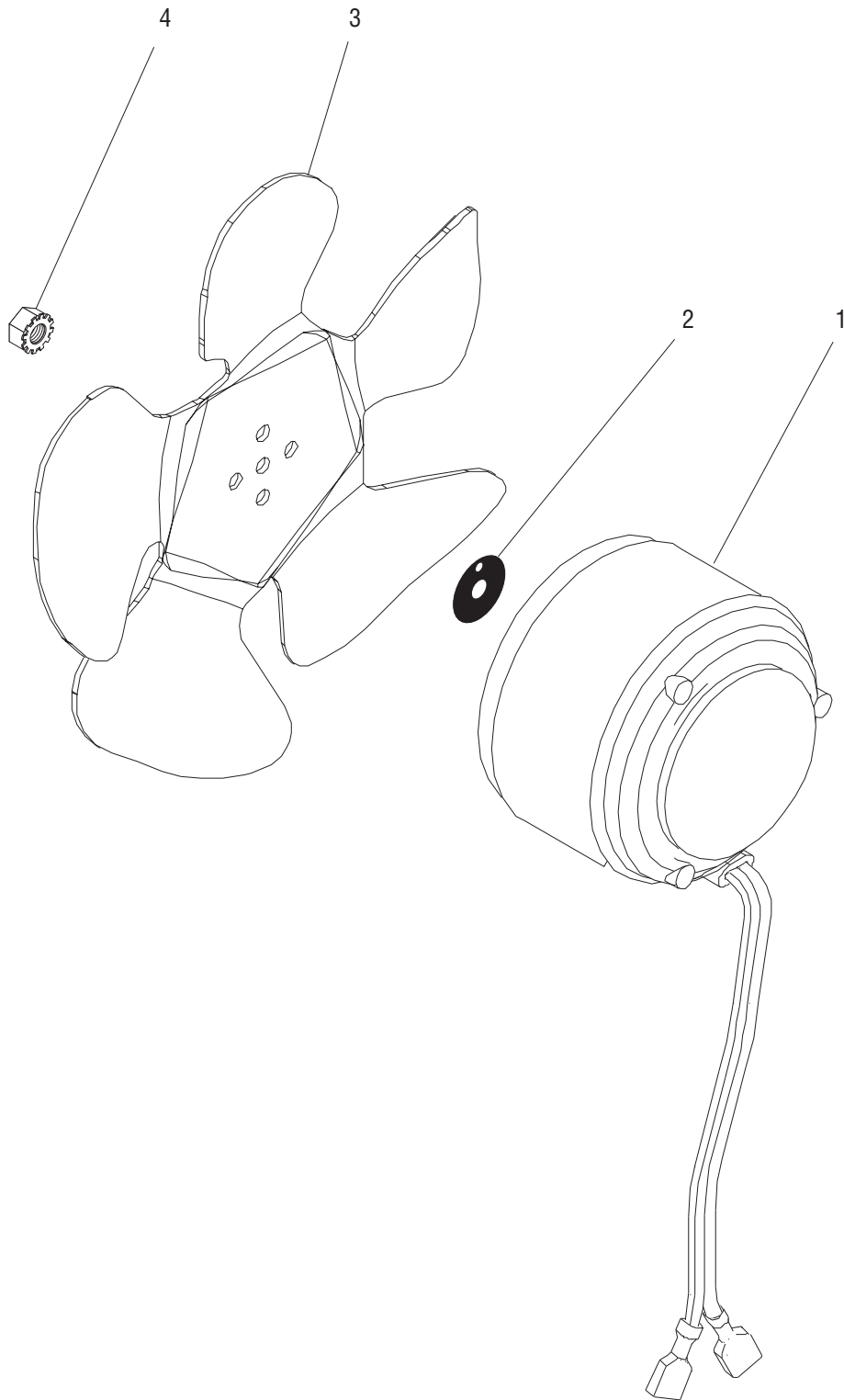
COMPRESSOR COMPONENTS (LG)

ITEM	PART NO.	QTY.	DESCRIPTION
-	45901.1000	1	Compressor 120V (Includes items 1 - 3)
	45901.1001	1	Compressor 230V (Includes items 1 - 3)
1	45897.0000	4	Grommet
2	45896.0000	4	Sleeve
3	36528.0000	1	Terminal Adapter
	39142.0000	1	Screw, Truss Head M4 x 7mm



FAN ASSEMBLY

JDF-2S



P2704

FAN ASSEMBLY

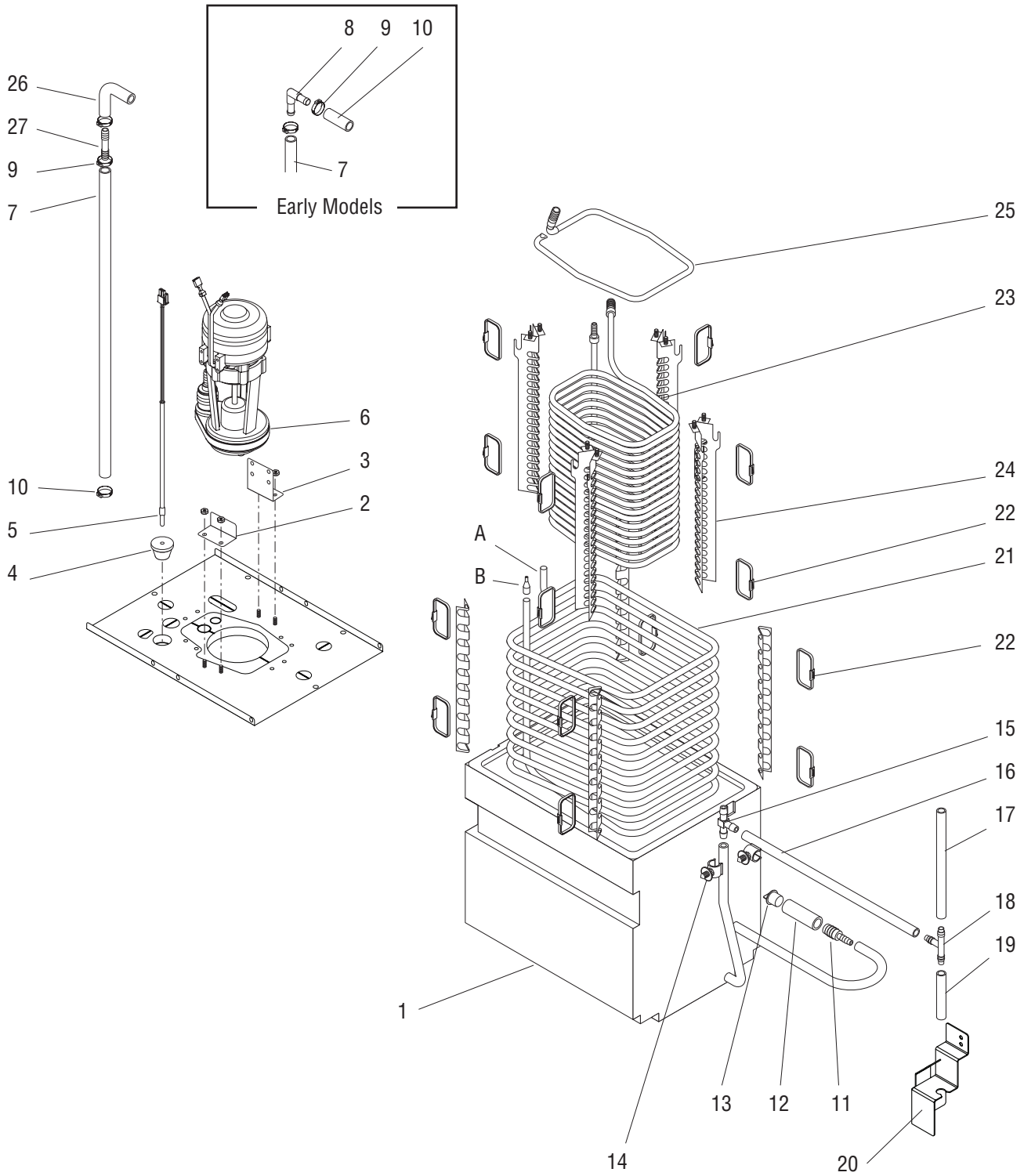
ITEM	PART NO.	QTY.	DESCRIPTION
-	32204.1006	1	Fan Assy 120V (Includes items 1-4)
	32204.1007	1	Fan Assy 230V (Includes items 1-4)
1	33603.0003	1	Motor Assy 120V
	33603.0004	1	Motor Assy 230V
2	33602.0000	1	Blade, Fan
3	27258.0000	1	Silencer
4	23700.0000	1	Nut .25"-20



WATER TANK ASSY (EARLY MODELS)

JDF-2S

(Continued)



NOTE: Letters appearing within this illustration correspond to matching connections in other illustrations.

P3616

WATER TANK ASSY (EARLY MODELS)

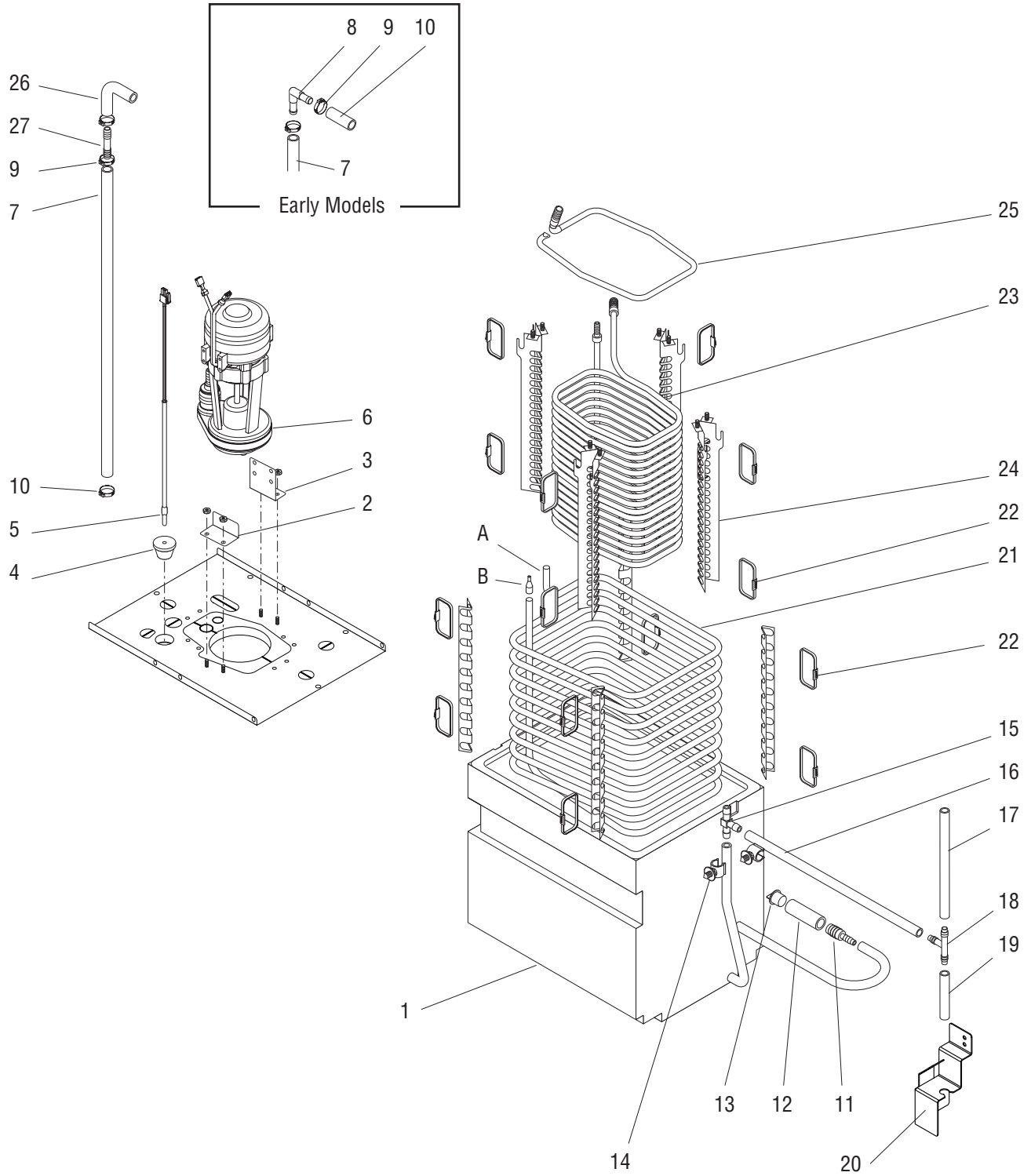
ITEM	PART NO.	QTY.	DESCRIPTION
1	35165.1003 24544.0000	1 6	Tank Assy Screw, Pan Head #8-18
2	38833.0001 00973.0001	1 2	Bracket Nut, Keps #6-32
3	38833.0000 00973.0001	1 2	Bracket Nut, Keps #6-32
4	33801.0003	1	Grommet
5	28891.1000	1	Probe, Temperature
6	53761.1000	1 1 1 4	Kit, Recirc Pump 120/230VAC - Seald Brng 9Includes Item 2 & 3) Bracket, Mounting Bracket, Support Screw,8-36x.437 Thread Forming
7		1 1	Hose, Flex .375" ID x .625" OD x 20.0" Braid (Early Models) (Order item 30) Hose, Flex .375" ID x .625" OD x 18.0" Braid (Late Models) (Order item 30)
8	37850.0000	1	Elbow .38" Barb
9	21275.0003	3	Clamp .57" - .70"
10		1	Hose, Flex .375" ID x .625" OD x 1.50" Braid (Order item 30)
11	38924.0000	1	Reducer .50 to .25" Barb
12		1	Hose, Flex .38" ID x .625" OD x 3.0" (Order item 32)
13	38925.0000	1	Plug
14	27410.0000	3	Clip, Tube Mounting
15	38605.0000	1	Tee .25" Barb
16		1	Tube, Silicone .25" ID x 8.0" (Order item 31)
17		1	Tube, Silicone .25" ID x 6.75" (Order item 31)
18	38605.0000	1	Tee .25" Barb
19		1	Tube, Silicone .25" ID x 3.0" (Order item 31)
20	38662.0001 02308.0000	1 2	Bracket Screw, Pan Head #8-32 x .38"
21	47581.0000	1	Evaporator Coil Assy (Includes item 22)
22	36329.0002	20	Cable Tie
23	38828.1000	1	Product Coil (Order item 33)
24	34416.0000	4	Spacer

(Continued)



WATER TANK ASSY (EARLY MODELS)

JDF-2S



NOTE: Letters appearing within this illustration correspond to matching connections in other illustrations.

P3616

WATER TANK ASSY (EARLY MODELS)

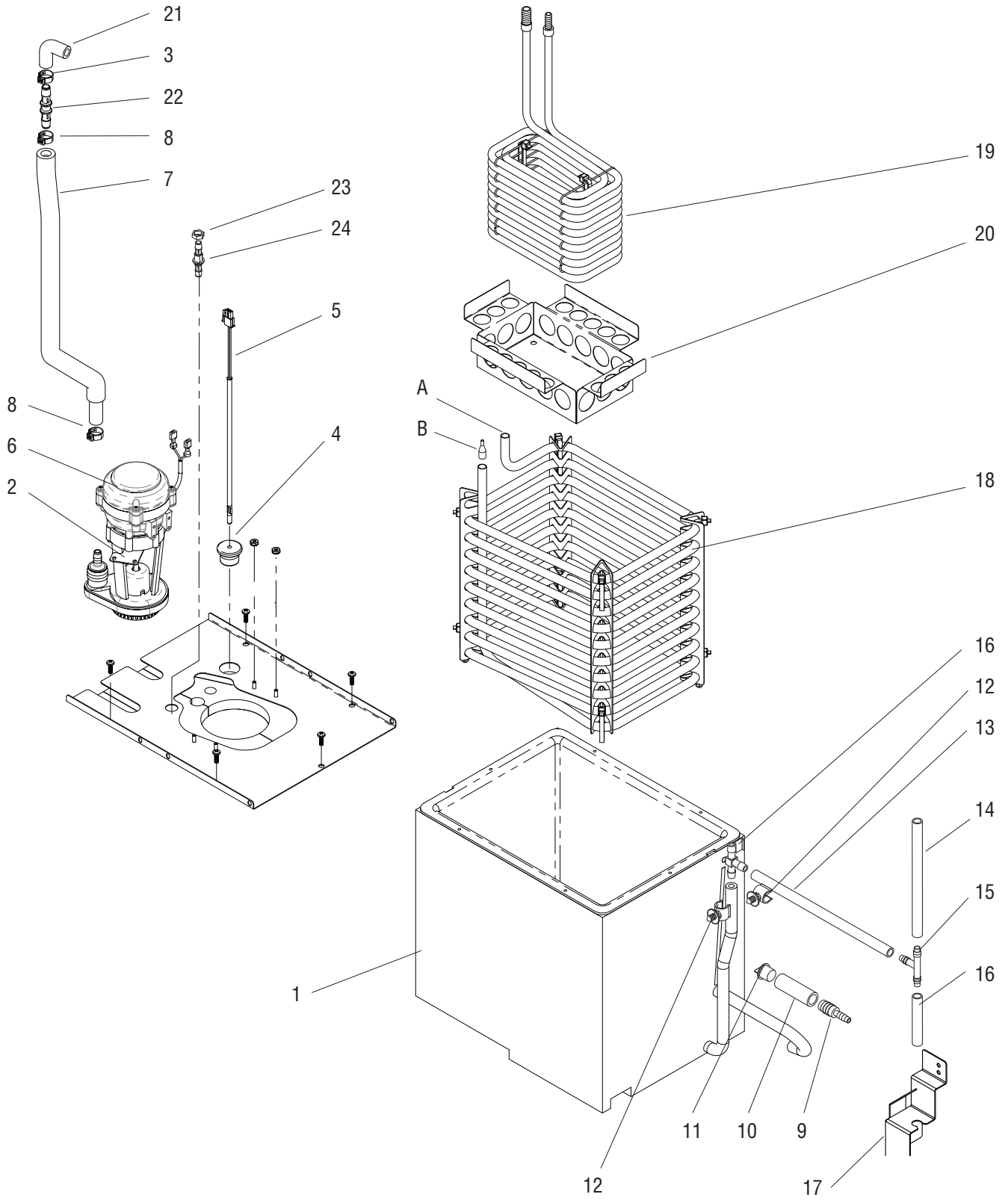
ITEM	PART NO.	QTY.	DESCRIPTION
25	38829.0000	1	Manifold, Return Water
26	45928.0000	1	Elbow
27	34644.0000	1	Connector .38" Barb
28	M2337.1000	-	Insulation, Tube 25/50 .50" ID x 72.0" (Cut to required length)
29	M2336.1000	-	Insulation, Tube 25/50 .38" ID x 72.0" (Cut to required length)
30	34325.1000	-	Hose, Flex .375" ID x .625" OD x 12.0" Braid (Cut to required length)
	34325.1001	-	Hose, Flex .375" ID x .625" OD x 36.0" Braid (Cut to required length)
	34325.1002	-	Hose, Flex .375" ID x .625" OD x 120.0" Braid (Cut to required length)
31	11707.1000	-	Hose, Silicone .25" ID x .625" OD x 12.0" (Cut to required length)
	11707.1001	-	Hose, Silicone .25" ID x .625" OD x 36.0" (Cut to required length)
	11707.1002	-	Hose, Silicone .25" ID x .625" OD x 120.0" (Cut to required length)
32	32591.1001	-	Hose, Silicone .50" ID x .625" OD x 12.0" (Cut to required length)
	32591.1002	-	Hose, Silicone .50" ID x .625" OD x 36.0" (Cut to required length)
33	38943.1000	-	Product Coil Assy (Includes items 23 - 26)



WATER TANK ASSY (LATE MODELS)

JDF-2S

(Continued)



NOTE: Letters appearing within this illustration correspond to matching connections in other illustrations.

P4363.50

WATER TANK ASSY (LATE MODELS)

ITEM	PART NO.	QTY.	DESCRIPTION
1	35165.1003 24544.0000	1 6	Tank Foam Assy Screw, Pan Head #8-18
2		1	Plate, Pump Recirc & Support ECM
3	12422.0001	1	Clamp, Hose-Snap Type .59/.66ID
4	33801.0003	1	Grommet
5	28891.1000	1	Probe, Temperature
6	53761.1000 00973.0001	1 2	Kit, Recirc Pump 120/230VAC - Seald ECM (Includes Item 2) Nut, Keps #6-32
7		1 -	Tube, Silicone .313x.562 x1 8.0 LG (Order item 28) Insulation, Tube 1/2ID x 3/16W (Order item 25)
8	21275.0013	3	Clamp, SST-.539/.638 DIA#16.2 Light Blue
9	38924.0000	1	Reducer .50 to .25" Barb
10		1	Hose, Flex .38" ID x .625" OD x 3.0" (Order item 30)
11	38925.0000	1	Plug
12	27410.0000	2	Clip, Tube Mounting
13		1	Tube, Silicone .25" ID x 8.0" (Order item 29)
14		1	Tube, Silicone .25" ID x 6.25" (Order item 29)
15	38605.0000	2	Tee .25" Barb
16		1	Tube, Silicone .25" ID x 2.6" (Order item 29)
17	38662.0001 02308.0000	1 2	Bracket Screw, Pan Head #8-32 x .38"
18	47581.0000	1	Evaporator Coil Assy (Includes spacers & ties)
19	51522.0001	1	Product Coil Assy (Includes wire form & ties)
20	50548.0002	1	Baffle
21	45928.0000	1	Elbow
22	51902.0000	1	Connector .38" Barb
23	51921.0000	1	Nut, Hex .250-18 NPSF Nylon
24	51906.0000	1	Fitting, Bulkhead .38 x .38 Kynar

The following items are not illustrated

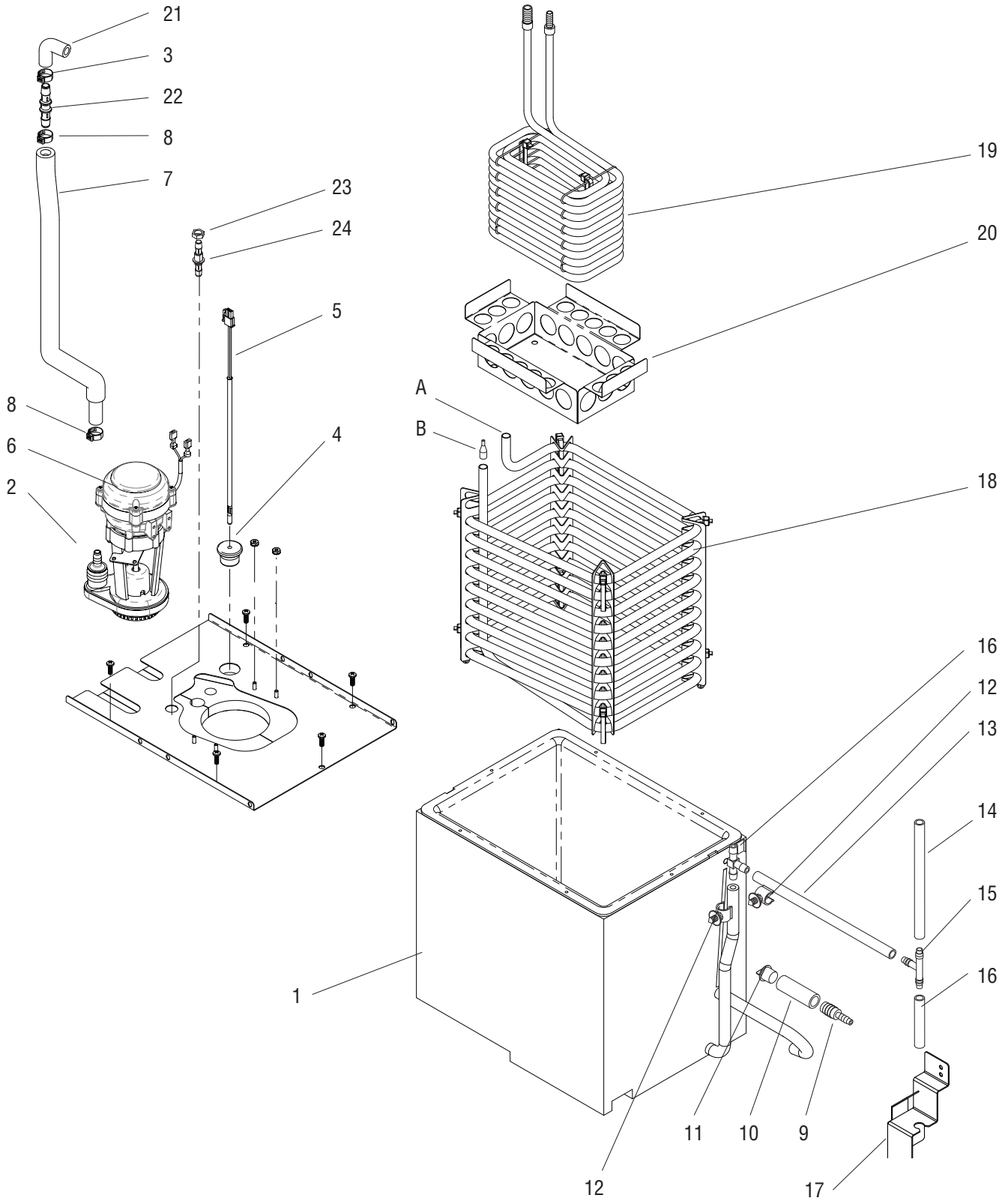
25	M2337.1000	-	Insulation, Tube 25/50 .50" ID x 72.0" (Cut to required length)
26	M2336.1000	-	Insulation, Tube 25/50 .38" ID x 72.0" (Cut to required length)
27	M2546.1000	-	Tape, Tube Insulating (Use as required)

(Continued)



WATER TANK ASSY (LATE MODELS)

JDF-2S

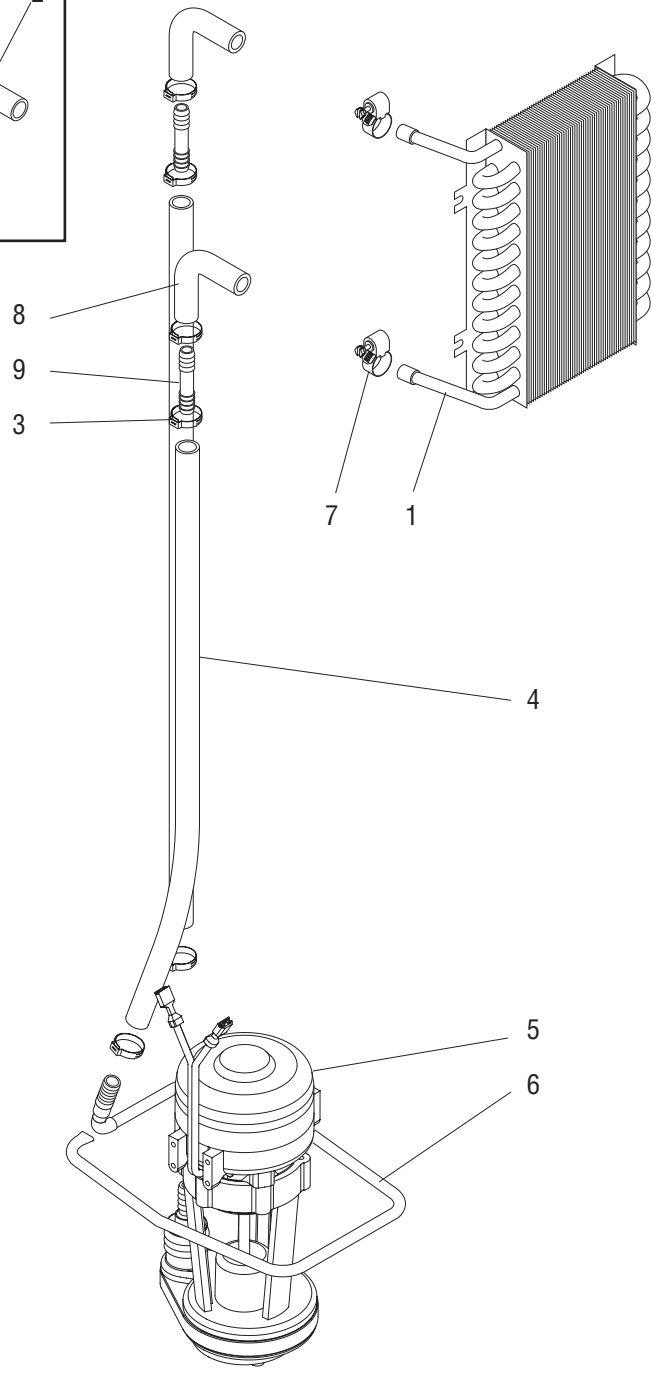
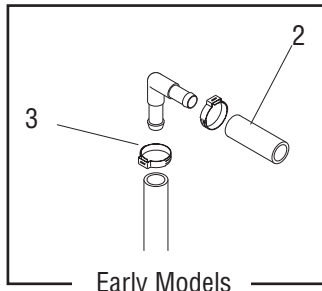


P4363.50

NOTE: Letters appearing within this illustration correspond to matching connections in other illustrations.

WATER TANK ASSY (LATE MODELS)

ITEM	PART NO.	QTY.	DESCRIPTION
28	28526.1000	-	Tube, Silicone .313 ID x 12.0" LG (Cut to required length)
	28526.1001	-	Tube, Silicone .313 ID x 36.0" LG (Cut to required length)
	28526.1002	-	Tube, Silicone .313 ID x 60.0" LG (Cut to required length)
	28526.1003	-	Tube, Silicone .313 ID x 120.00" LG (Cut to required length)
29	11707.1000	-	Hose, Silicone .25" ID x .625" OD x 12.0" (Cut to required length)
	11707.1001	-	Hose, Silicone .25" ID x .625" OD x 36.0" (Cut to required length)
	11707.1002	-	Hose, Silicone .25" ID x .625" OD x 120.0" (Cut to required length)
30	32591.1001	-	Hose, Silicone .50" ID x .625" OD x 12.0" (Cut to required length)
	32591.1002	-	Hose, Silicone .50" ID x .625" OD x 36.0" (Cut to required length)



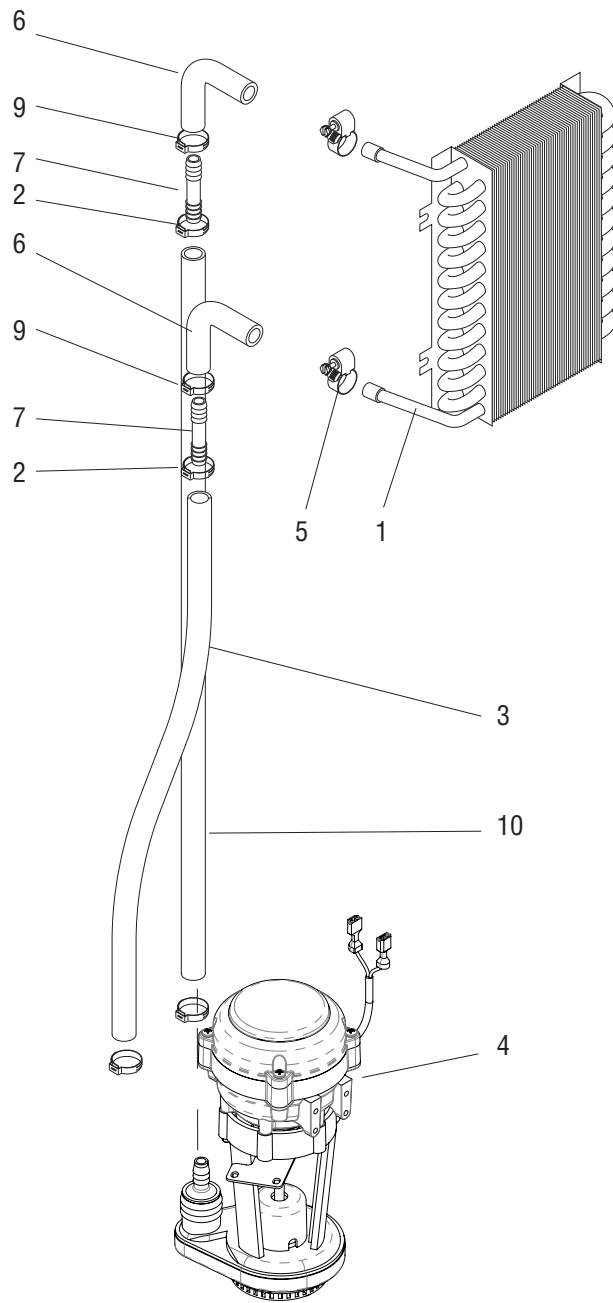
CIRCULATION PUMP & LINES (EARLY MODELS)

ITEM	PART NO.	QTY.	DESCRIPTION
1	-----	1	Coil, Upper Cabinet (See UPPER CABINET & PANELS)
2		1	Hose, Flex .375" ID x x 1.5" Braid (Order item 11)
3	21275.0003	4	Clamp .57" - .70"
4		1	Hose, Flex .375" ID x 17.0" Braid (Order item 11)
5	-----	1	Pump, Circulation (See WATER TANK ASSEMBLY)
6	-----	1	Manifold, Return Water (See WATER TANK ASSEMBLY)
7	29421.0000 12422.0001	2 2	Clamp, Hose Worm Drive .625/.75" (Early Models) Clamp (Late Models)
8	45928.0000	1	Elbow
9	34644.0000	1	Connector .38" Barb
10	M2336.1000	-	Insulation, Tube 25/50 .38" ID x 72.0" (Cut to required length)
11	34325.1000 34325.1001 34325.1002	- - -	Hose, Flex .375" ID x 12.0" Braid (Cut to required length) Hose, Flex .375" ID x 36.0" Braid (Cut to required length) Hose, Flex .375" ID x 120.0" Braid (Cut to required length)



CIRCULATION PUMP & LINES (LATE MODELS)

JDF-2S



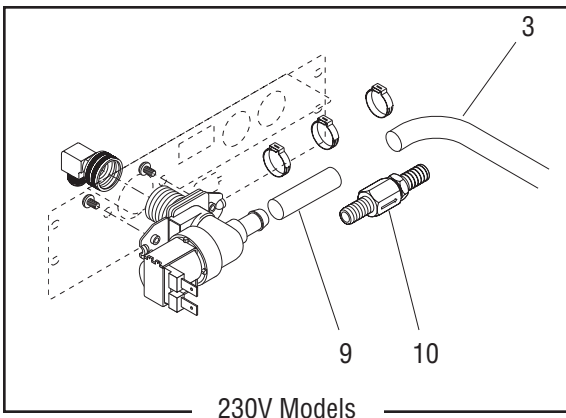
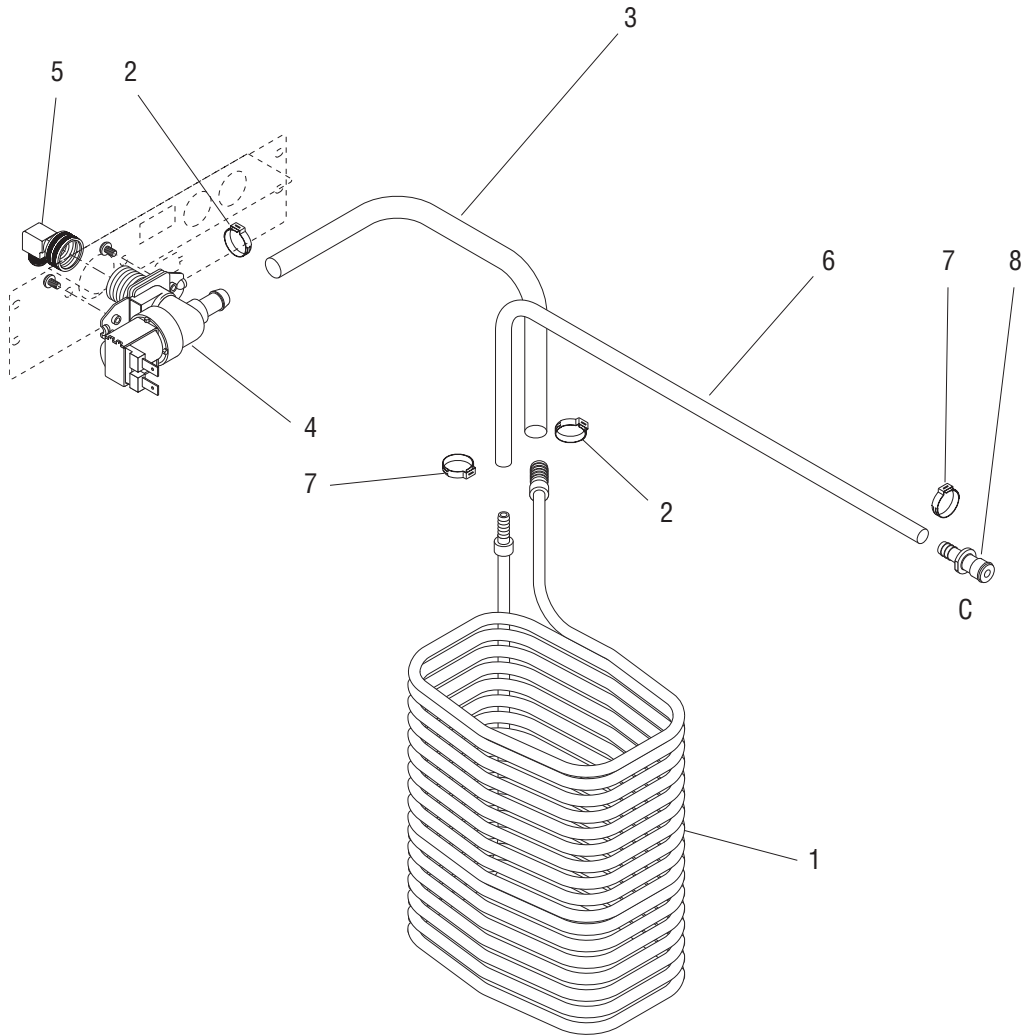
P4364.75

CIRCULATION PUMP & LINES (LATE MODELS)

ITEM	PART NO.	QTY.	DESCRIPTION
1	-----	1	Coil, Upper Cabinet (See UPPER CABINET & PANELS)
2	21275.0013	4	Clamp, SST-.539/.638 DIA#16.2 Light Blue
3		1	Tube, Silicone .313 ID x 7.0 LG (Order item 13)
		-	Insulation, Tube 25/50 .50" ID (Order item 11)
4	-----	1	Pump, Circulation (See WATER TANK ASSEMBLY-LATE MODELS)
5	29421.0000	2	Clamp, Hose Worm Drive .625/.75" (Early Models)
	12422.0001	2	Clamp, Hose-Snap Type .59/.66ID (Late Models)
6	45928.0000	1	Elbow
7	51902.0000	1	Connector .38" Barb
8	51906.0000	1	Fitting, Bulkhead
9	12422.0001	2	Clamp, Hose-Snap Type .59/.66ID
10		1	Tube, Silicone .313x.562 x1 8.0 LG (Order item 13)
		-	Insulation, Tube 25/50 .50" ID (Order item 11)

The following items are not illustrated:

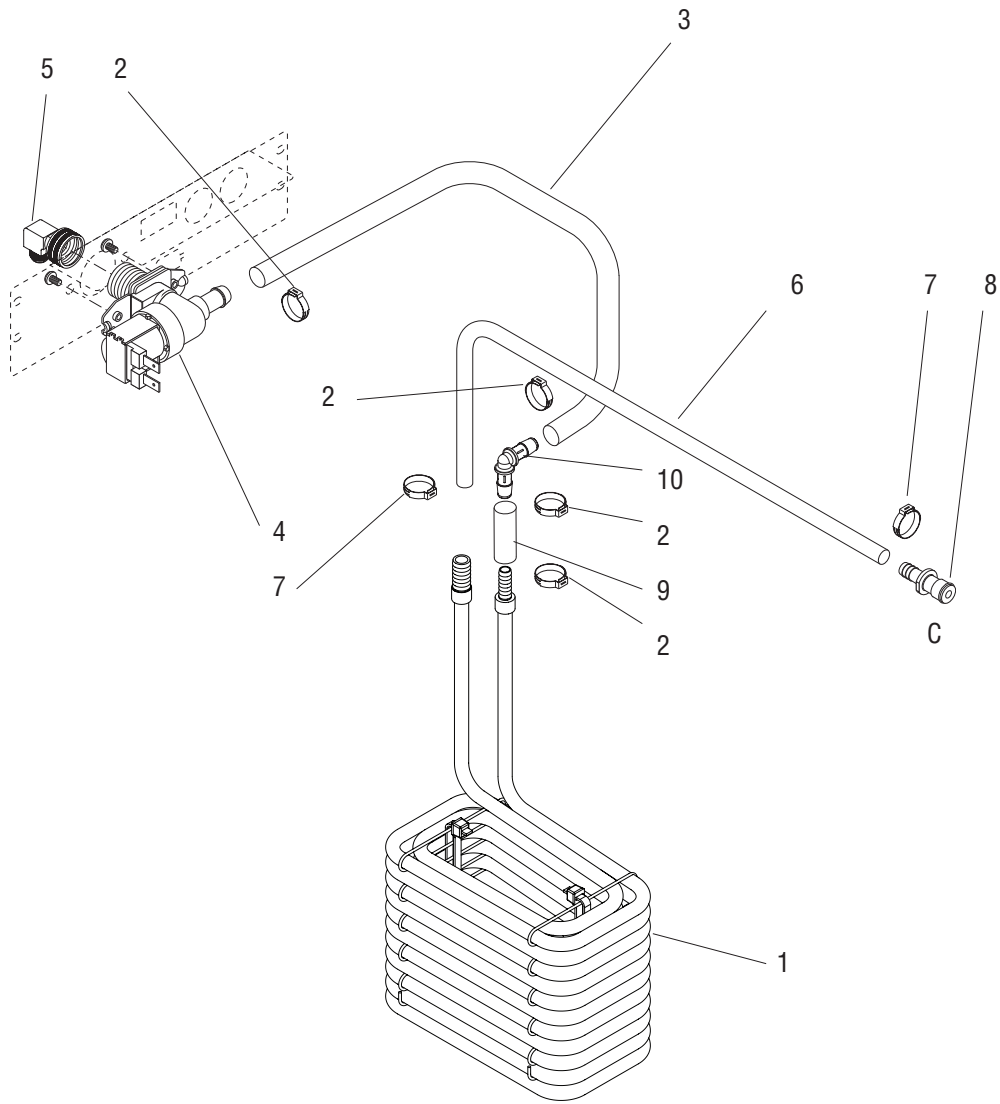
11	M2337.1000	-	Insulation, Tube 25/50 .50" ID x 72.0" (Cut to required length)
12	M2546.1000	-	Tape, Tube Insulating (Use as required)
13	28526.1000	-	Tube, Silicone .313 ID x 12.0" LG (Cut to required length)
	28526.1001	-	Tube, Silicone .313 ID x 36.0" LG (Cut to required length)
	28526.1002	-	Tube, Silicone .313 ID x 60.0" LG (Cut to required length)
	28526.1003	-	Tube, Silicone .313 ID x 120.00" LG (Cut to required length)



NOTE: Letters appearing within this illustration correspond to matching connections in other illustrations.

PRODUCT COIL & LINES (EARLY MODELS)

ITEM	PART NO.	QTY.	DESCRIPTION
1	-----	1	Product Coil (See WATER TANK ASSEMBLY)
2	21275.0003	2	Clamp .57" - .70" (Two additional used on 230V)
3		1	Hose, Flex .375" ID x 5.75" Braid (120V)
		1	Hose, Flex .375" ID x 4.75" Braid (Order item 11)(230V)
4	36233.0005	1	Valve, Water Inlet 120V
	36233.0006	1	Valve, Water Inlet 230V
	32283.0000	2	Screw, Pan Head M4 x 6mm
			} See item 14
5	37297.1001	1	Fitting, Elbow .38" FI x .75" Fine Hose (Includes Gasket)
	41640.0000	1	Gasket
6		1	Hose, Braided .25" ID x 15.75" (Order item 12)
7	21275.0006	2	Clamp .45" - .55"
8	34460.0000	1	Coupling, Quick Disconnect, Male
9		1	Hose, Flex .375" ID x 1.50" Braid (Order item 11)(230V)
10	40071.0001	1	Check Valve (230V)
11	34325.1000	-	Hose, Flex .375" ID x 12.0" Braid (Cut to required length)
	34325.1001	-	Hose, Flex .375" ID x 36.0" Braid (Cut to required length)
	34325.1002	-	Hose, Flex .375" ID x 120.0" Braid (Cut to required length)
12	38129.1000	1	Hose, Braided .25" ID x 12.0" (Cut to required length)
	38129.1001	1	Hose, Braided .25" ID x 36.0" (Cut to required length)
	38129.1002	1	Hose, Braided .25" ID x 120.0" (Cut to required length)
13	M2336.1000	-	Insulation, Tube 25/50 .38" ID x 72.0" (Cut to required length)
14	43644.0000	-	Kit, Valve Rebuild (Not Illustrated)



P4365.75

NOTE: Letters appearing within this illustration correspond to matching connections in other illustrations.

PRODUCT COIL & LINES (LATE MODELS)

ITEM	PART NO.	QTY.	DESCRIPTION
1	-----	1	Product Coil (See WATER TANK ASSEMBLY)
2	21275.0013	4	Clamp, SST-.539/.638 DIA#16.2 Light Blue
3		1	Hose, Flex .38" ID x 8.75" (Order item 11)
4	36233.0005 32283.0000	1 2	Valve, Water Inlet 120V (See item 15) Screw, Pan Head M4 x 6mm
5	37297.1001 41640.0000	1 1	Fitting, Elbow .38" FI x .75" Fine Hose (Includes Gasket) Gasket
6		1 -	Hose, .265 ID X .457 OD Braided Red Line (Order item 12) Insulation, Tube 3/8ID x 3/16W (Order item 13)
7	21275.0001	2	Clamp, SST-.425/.523 DIA13.3
8	34460.0000	1	Coupling, Quick Disconnect, Male
9		1	Hose, Flex .38" ID x 1.50" (Order item 11)
10	55744.0000	1	Fitting, Elbow .375 Barb SST

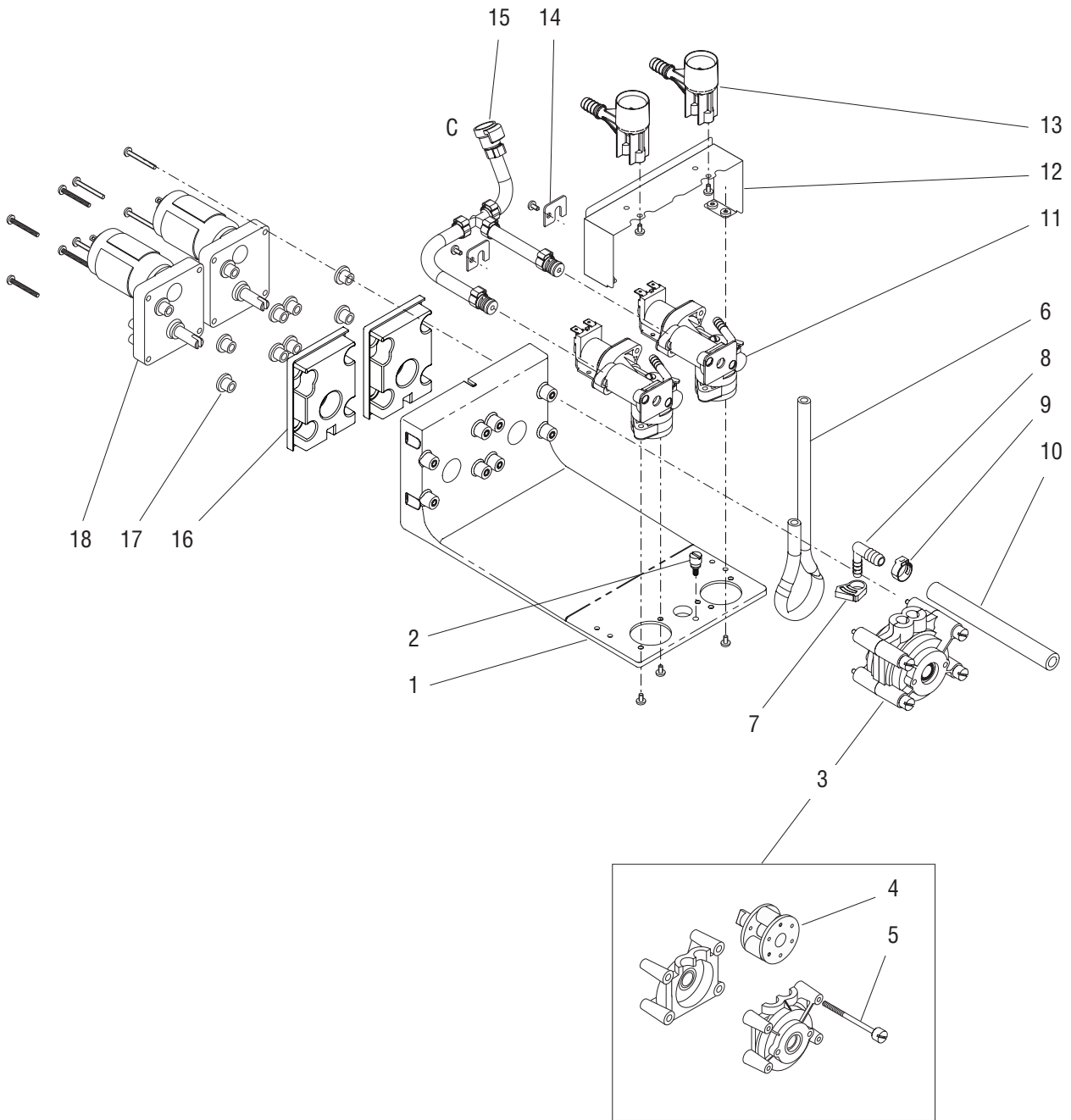
The following items are not illustrated:

11	54496.1000 54496.1001 54496.1002	- - -	Hose, .38" ID X 12.0 LG Braided Wht Line (Cut to required length) Hose, .38" ID x 36.0" LG Braided Wht Line (Cut to required length) Hose, .38" ID x 120.0" LG Braided Wht Line (Cut to required length)
12	54497.1000 54497.1001 54497.1002	- - -	Hose, Braided, .265 ID X .457 OD 12.0 LG Braided Red Line (Cut to required length) Hose, Braided, .265 ID X .457 OD 36.0 LG Braided Red Line (Cut to required length) Hose, Braided, 265 ID X .457 OD 120.0 LG Braided Red Line (Cut to required length)
13	M2336.1000	-	Insulation, Tube 25/50 .38" ID x 72.0" (Cut to required length)
14	M2546.1000	-	Tape, Tube Insulating (Use as required)
15	43644.0000	-	Kit, Valve Rebuild (Not Illustrated)



DISPENSE PLATFORM ASSEMBLY

JDF-2S



P3623

NOTE: Letters appearing within this illustration correspond to matching connections in other illustrations.

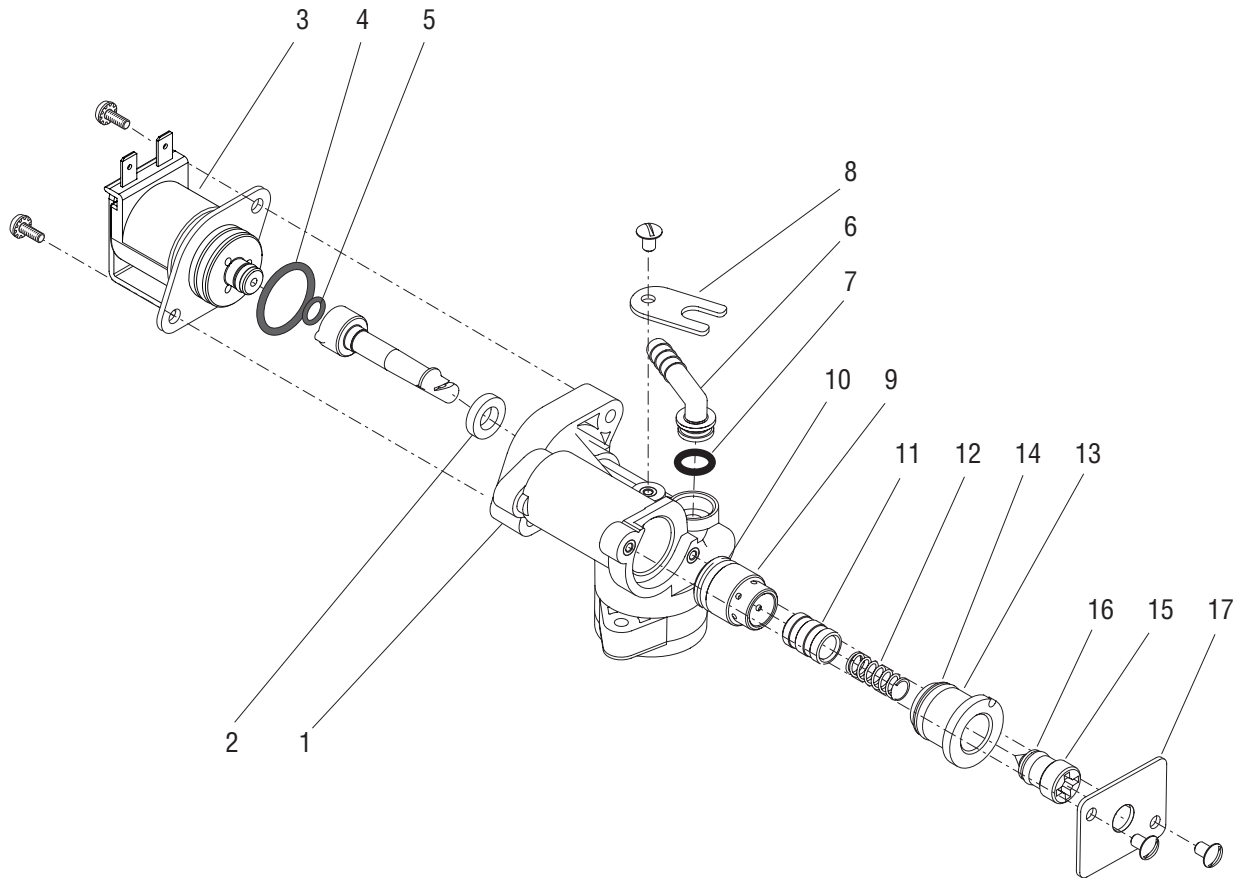
DISPENSE PLATFORM ASSEMBLY

ITEM	PART NO.	QTY.	DESCRIPTION
-	38474.1000	1	Platform Assy (Includes items 1 - 19)
1	38121.0003	1	Platform
2	38104.0000	1	Thumbscrew
3	28759.0000	2	Pump Head (Includes items 4 & 5)
4	28794.0000	2	Rotor
5	01370.0001	8	Screw, Pan Head #8-32 x 2.45"
6	28755.1011	2	Tube, Norprene .25" ID x 17.0" lg
7	12422.0011	2	HOSE-SNAP TYPE.40/.45ID
8	32656.0000	2	Fitting, Elbow .25" Barb x .38" Barb
9	21275.0012	4	Clamp, SST-.563/.661 DIA#16.8 Green
10		2	Tube, Silicone .38ID x .62OD x 5.25 (Order item 20)
11	38018.1001	2	Dispense Valve (See DISPENSE VALVE)
	01308.0000	4	Screw, Truss Head #6-32 x 25"
12	38660.0001	1	Bracket
	01308.0000	4	Screw, Truss Head #6-32 x 25"
13	38120.0005	2	Fitting, Bottle Adapter
	01308.0000	4	Screw, Truss Head #6-32 x 25"
14	37786.0001	2	Plate
	01308.0000	2	Screw, Truss Head #6-32 x 25"
15	-----	1	Manifold, Plain Water (See PLAIN WATER MANIFOLD)
16	33781.0000	2	Gasket
17	32957.0000	8	Bushing, Rubber
18	32613.1003	2	Motor Assy
	01322.0001	4	Screw #8-32 x 1.25"
The following items are not illustrated			
19	38873.0001	1	Harness, Dispense Platform
20	20976.1000	-	Tube, Silicone - .375ID x 12.0" LG (Cut to required length)
	20976.1001	-	Tube, Silicone - .375ID x 36.0" LG (Cut to required length)
	20976.1002	-	Tube, Silicone - .375ID x 120.0" LG (Cut to required length)
21	39690.0000	-	Pump Tube (Includes items 6,7,8,9 & 10)



DISPENSE VALVE ASSEMBLY

JDF-2S



P3503

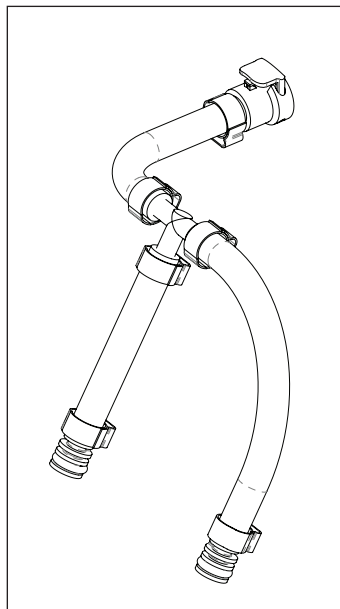
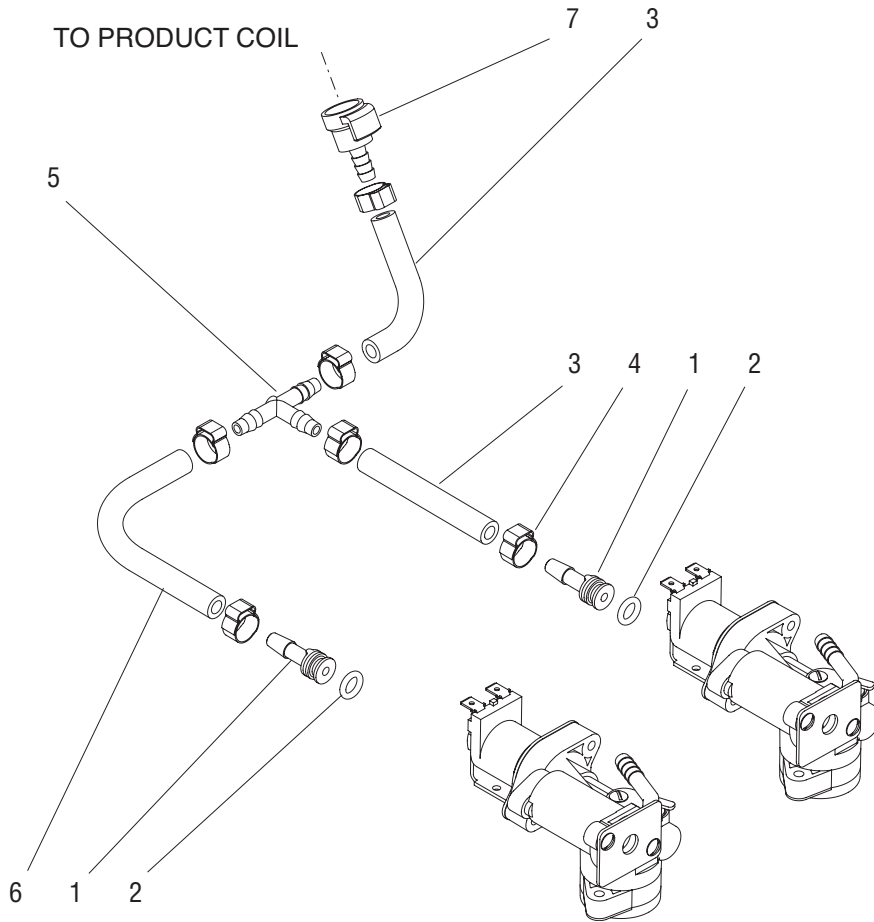
DISPENSE VALVE ASSEMBLY

ITEM	PART NO.	QTY.	DESCRIPTION
-	38018.1001	1	Dispense Valve Assy (Includes items 1 - 19)
1	37801.0003	1	Body
2	37990.0000	1	Seal
3	32252.0001	1	Valve, Solenoid (Includes items 4 & 5)
	01347.0000	2	Screw, Truss Head 6-32 x .38"
4	33580.0000	1	O-ring
5	33553.0000	1	O-ring
6	32463.0000	1	Fitting, Elbow
7	32849.0001	1	O-ring (Also use item 18)
8	37853.0000	1	Clamp
	01308.0000	1	Screw #6-32 x .25"
9	32603.0000	1	Sleeve
10	24733.0006	1	O-ring (Also use item 18)
11	32602.0000	1	Piston
12	32853.0001	1	Spring, Flow Control
13	32624.0004	1	Bonnet, Adjuster
14	24733.0017	1	O-ring (Also use item 18)
15	32623.0004	1	Adjuster, Position
16	32851.0000	1	O-ring (Also use item 18)
17	37977.0000	1	Bracket, Water Adjustment
	01308.0000	2	Screw #6-32 x .25"
18	44023.1000	-	Lube, Silicone (Use when assembling items 7,10,14 & 16)



PLAIN WATER MANIFOLD

JDF-2S



P3624
P3624.1

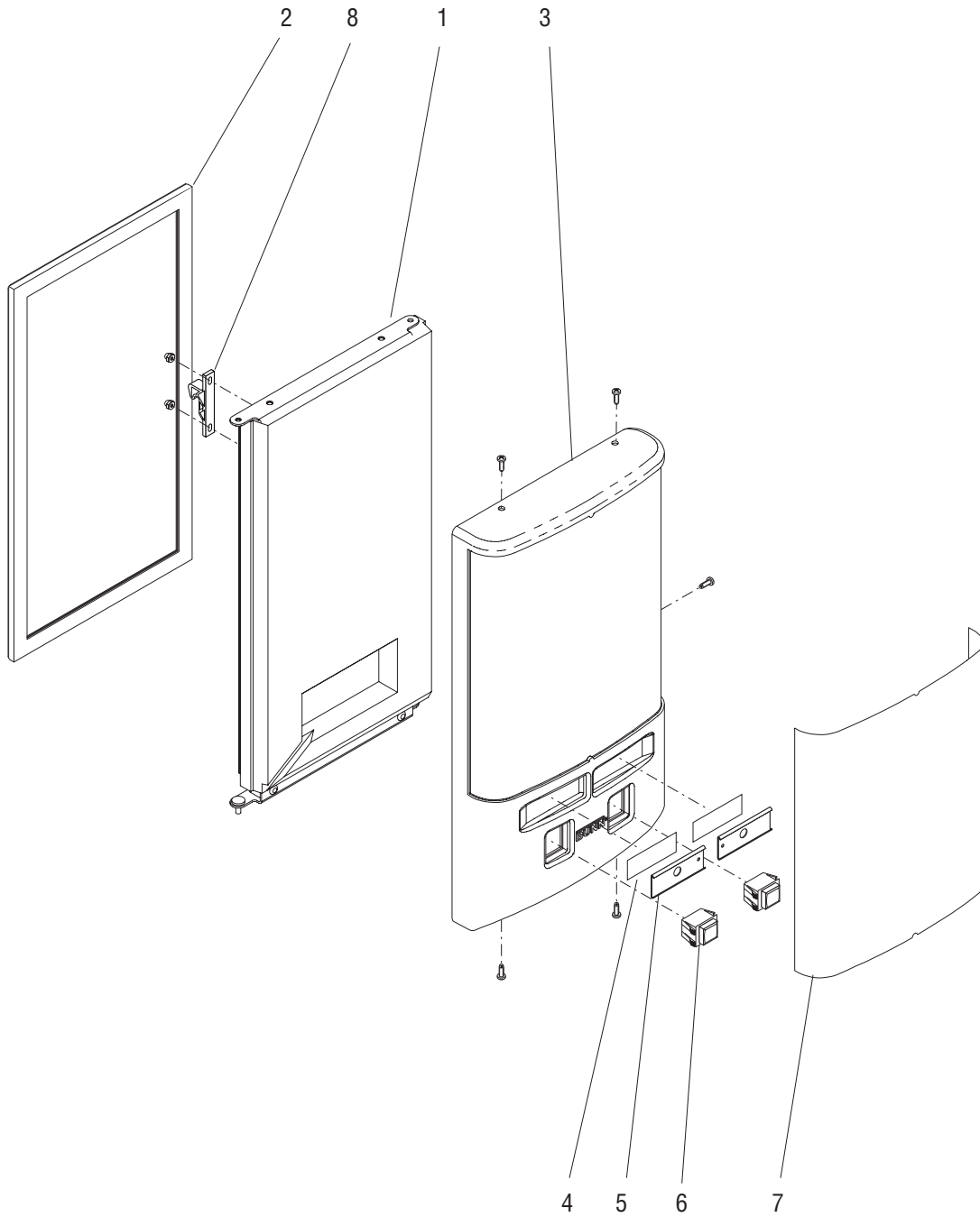
PLAIN WATER MANIFOLD

ITEM	PART NO.	QTY.	DESCRIPTION
1	32631.0004	2	Fitting, Straight
2	32849.0001	2	O-ring
3		2	Hose, Braided .25" ID x 3.0" (Order item 8)
4	21275.0006	6	Clamp .45 - .55"
5	38605.0000	1	Tee .25" Barb
6		1	Hose, Braided .25" ID x 5.25" (Order item 8)
7	34461.0000	1	Coupling, Quick Disconnect, Female
8	38129.1000	1	Hose, Braided .25" ID x 12.0" (Cut to required length)
	38129.1001	1	Hose, Braided .25" ID x 36.0" (Cut to required length)
	38129.1002	1	Hose, Braided .25" ID x 120.0" (Cut to required length)
9	38160.1001	1	Manifold Assy, Plain Water (Included items 1 thru 7)



DOOR ASSEMBLY - UNLITED

JDF-2S

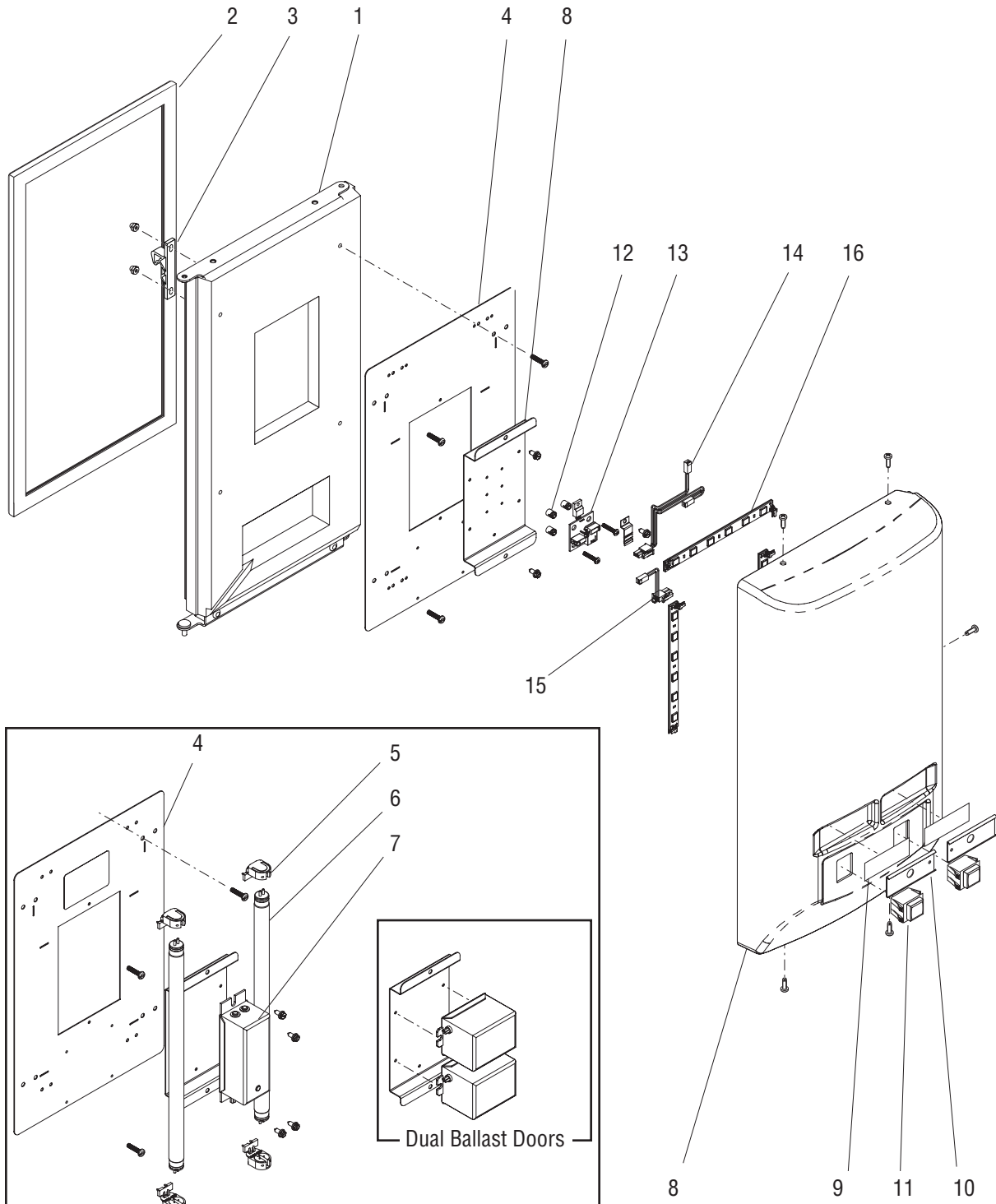


DOOR ASSEMBLY - UNLITED

ITEM	PART NO.	QTY.	DESCRIPTION
1	49988.0002	1	Door, Inner (Includes item 2)
2	38568.0002	1	Gasket, Door
3	38476.1000	1	Cover, Door Front
	02331.0001	5	Screw, Truss Head, Blk #10-32 x .375"
4	32819.0001	2	Strip, Adhesive
5	37018.0001	2	Flavor Label Holder
6	28296.0002	2	Switch, Dispense
7	38560.0000	1	Decal, Door Wrap (BUNN Juice)
	38560.0001	1	Decal, Door Wrap (BUNN Iced Coffee)
8	34667.0000	1	Keeper, Door Latch
	02319.0000	2	Nut, Acorn
	01501.0000	2	Washer

The following items are not illustrated

9	38871.0000	1	Wiring Harness, Switches
10	32861.0000	-	Decals, Flavor (BUNN Juice)
	32861.0001	-	Decals, Flavor (BUNN Iced Coffee)

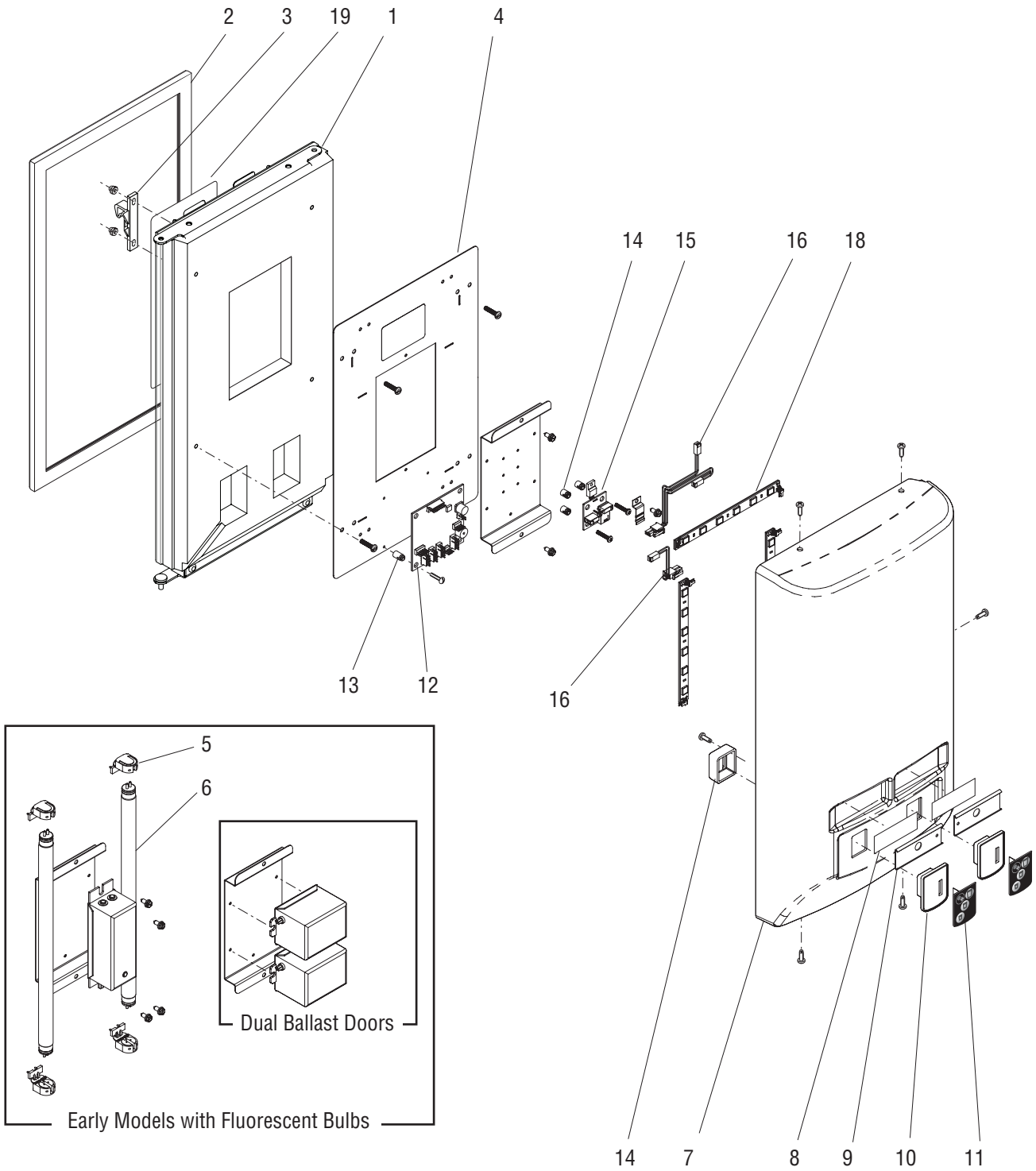


Early Models with Fluorescent Bulbs

Dual Ballast Doors

DOOR ASSEMBLY - LITED w/MECHANICAL SWITCHES

ITEM	PART NO.	QTY.	DESCRIPTION
1	49988.0002	1	Door, Inner (Includes item 2)
2	38568.0002	1	Gasket, Door
3	34667.0000	1	Keeper, Door Latch
	02319.0000	2	Nut, Acorn
	01501.0000	2	Washer
4	39721.0001	1	Panel, Light
	01370.0000	4	Screw, Pan Head #8-32 x .75"
5	27543.0001	4	Lamp Holder (Early Models)
6	26239.0000	2	Lamp, Fluorescent (Early Models)
7	42528.0001	1	Ballast (Single Ballast Doors)
	02335.0001	2	Screw, Hex Crimptite #8 x .38"
8	39699.0000	1	Cover, Door Front (Juice Display)
	39699.0001	1	Cover, Door Front (Iced Coffee Display)
	02331.0001	5	Screw, Truss Head, Blk #10-32 x .375"
9	32819.0001	2	Strip, Adhesive
10	37018.0001	2	Flavor Label Holder
11	28296.0002	2	Switch, Dispense
12	29081.0005	3	Spacer
13	41727.1000	1	Circuit Board
14	42609.0000	1	Wiring Harness
15	42609.0001	1	Wiring Harness
16	42593.0000	3	LED
The following items are not illustrated			
17	38871.0000	1	Wiring Harness, Switches
18	32861.0000	-	Decals, Flavor (BUNN Juice)
	32861.0001	-	Decals, Flavor (BUNN Iced Coffee)



DOOR ASSEMBLY - LITED w/MEMBRANE SWITCHES

ITEM	PART NO.	QTY.	DESCRIPTION
1	49988.0002	1	Door, Inner (Includes item 2)
2	38568.0002	1	Gasket, Door
3	34667.0000	1	Keeper, Door Latch
	02319.0000	2	Nut, Acorn
	01501.0000	2	Washer
4	39721.0001	1	Panel, Light
	01370.0000	4	Screw, Pan Head #8-32 x .75"
5	27543.0001	4	Lamp Holder (Early Models)
6	26239.0000	2	Lamp, Fluorescent (Early Models)
7	39699.0000	1	Cover, Door Front (Juice Display)
	39699.0001	1	Cover, Door Front (Iced Coffee Display)
	02331.0001	5	Screw, Truss Head, Blk #10-32 x .375"
8	32819.0001	2	Strip, Adhesive
9	37018.0001	2	Flavor Label Holder
10	41298.0000	2	Bezel Assy (Portion Control)
	41299.0000	2	Bezel Assy (Push Button)
11	40606.0000	2	Membrane Switch (Portion Control Models)
	44971.0000	2	Membrane Switch (Push Button Models)
12	40875.1000	1	Circuit Board, Portion Control
13	29081.0000	4	Spacer, Circuit Board
14	29081.0005	3	Spacer
15	41727.1000	1	Circuit Board
16	42609.0000	1	Wiring Harness
17	42609.0001	1	Wiring Harness
18	42593.0000	3	LED
19	49633.1000	1	Bracket Kit (Includes screws)
	02340.0001	2	Screw, Hex Hd. #8-32 x .38"

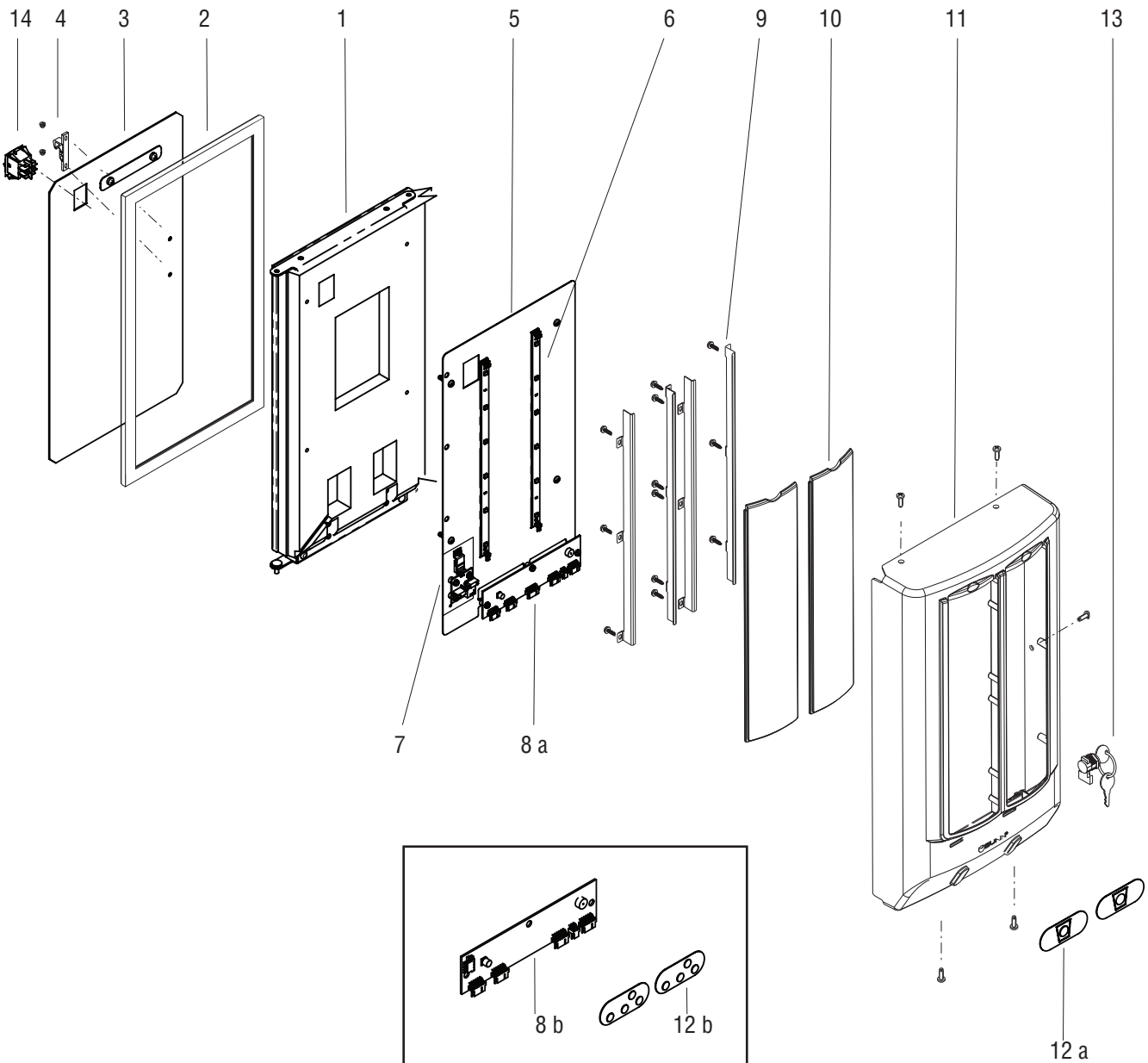
The following items are not illustrated

20	41202.0000	1	Wiring Harness, Door (Early Models w/ Fluorescent Bulbs)
	41202.0001	1	Wiring Harness, Door (Late Models w/ LED Lights)
	41202.0007	1	Wiring Harness, Door (Models w/ LED Lights & Program Switch)
21	32861.0000	-	Decals, Flavor (BUNN Juice)
	32861.0001	-	Decals, Flavor (BUNN Iced Coffee)



DOOR ASSEMBLY - LITED 2 SEGMENT DISPLAY

JDF-2S



Model: JDF-2S PC LIT
Portion Control
Switch Membrane
Four Button

DOOR ASSEMBLY - LITED 2 SEGMENT DISPLAY

ITEM	PART NO.	QTY.	DESCRIPTION
1	49988.0003	1	Door Assy, Foamed with Dispense Switch Hole(Includes item 2 -Later style)
2	38568.0002	1	Gasket, Door
3	49987.0001	1	Panel Assy, Door Inner JDF-2S
4	34667.0000	1	Keeper, Door Latch
	02319.0000	2	Nut, Acorn
	01501.0000	2	Washer
5	50690.0002	1	
	50690.0000	1	
	01370.0000	4	Screw, Pan Head #8-32 x .75"
6	50421.0000	2	CBA, 6 LED
7	41727.1000	1	CBA, LED Backlight Regulator
	29081.0005	3	Spacer, PCB Mounting #6 x .250 LG
	14002.6300	3	Screw, PHN Cross Rec 6-20 x .75
8	50477.1001 a	1	CBA, Membrane Switch JDF-2S/4S
	50477.1000 b	1	CBA, Membrane Switch Portion Control
	29081.0005	3	Spacer, PCB Mtg #6 x .250 LG
	14002.6300	3	Screw, PHN Cross Rec 6-20 x .75
9	50519.0000	4	Bracket, Lens Retaining
	50530.0000	12	Screw, Hex Washer #6-20 x .50"
10	50081.0000	2	Lens
11	54398.0001*	1	Door, JDF-2S 2 Segment w/Lock
	02331.0001	5	Screw
12	50489.0000 a	4	Membrane Switch (Push Button Models)
	50490.0000 b	2	Four Button Membrane Switch (Portion Control Models)
13	32863.0000	1	Key Lock (Includes 2 keys)
	00669.0004	1	Plug, Hole-NYL BLK .75 x .62 Hole (No Key Lock Assy - Not Illustrated)
14	52922.0000	1	Switch, Dispense Deck ON/OFF

The following items are not illustrated

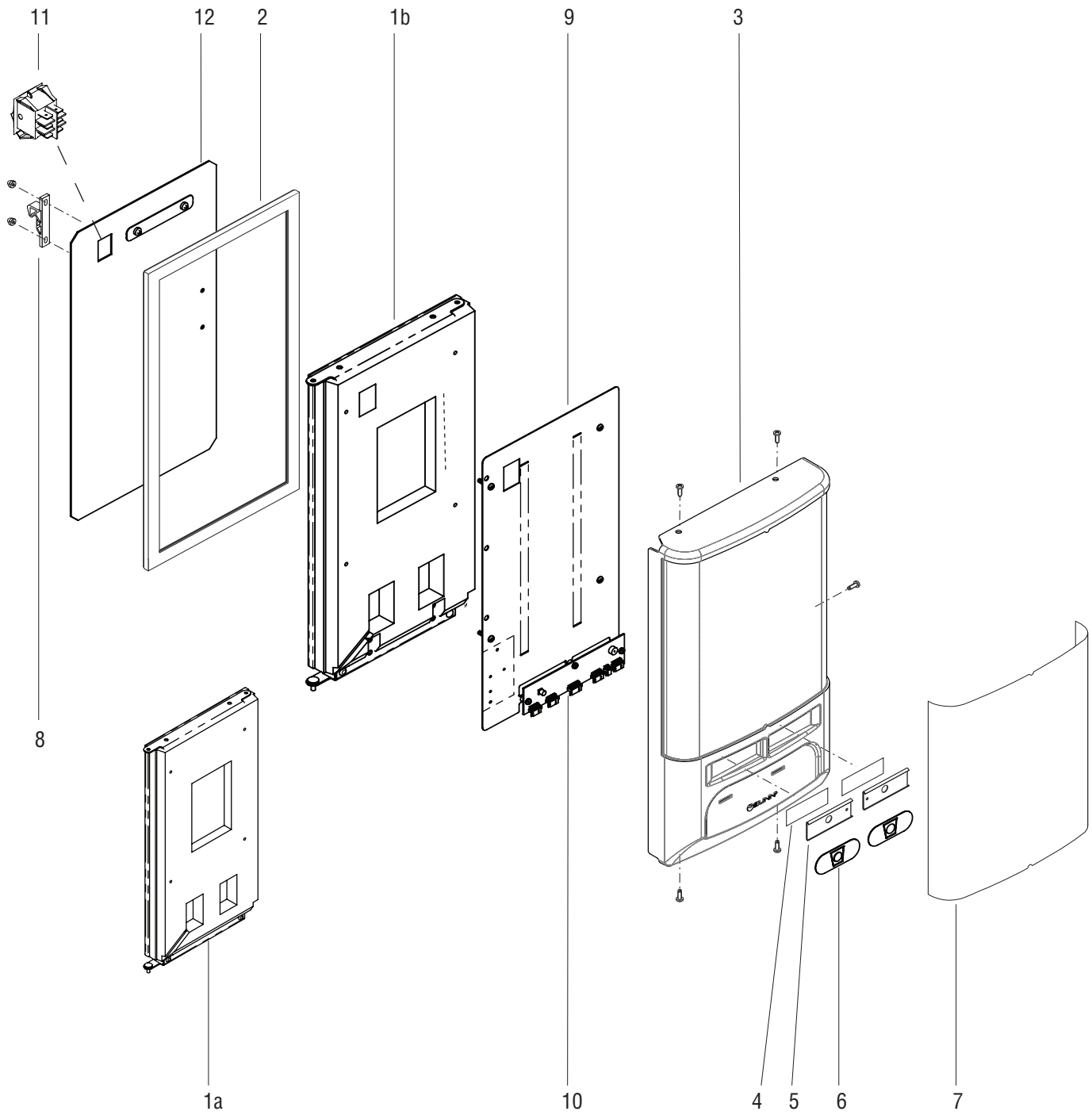
15	42609.0001	1	Wiring Harness, LED/CBA JDF-2S/4S - PH or PC
16	54692.0001	1	Wiring Harness, JDF-2S Disp/Disable Switch w/PH Membranes
	54692.0000	1	Wiring Harness, JDF-2S Dispense/Disable Switch w/PC Membranes
17	50543.1000	-	Graphics Kit (Includes one each of 8 displays)
18	41202.0010	1	Wiring Harness, Door PC Juice w/Program Switch
	41202.0009	1	Wiring Harness, Door PH Juice w/Program Switch
19	41203.0001	1	Wiring Harness, Program Switch - PC

* Door, 2 Lens utilizes 50489.0000,& 50490.0000 membrane switches only.



DOOR ASSEMBLY - UNLITED PUSH/HOLD MEMBRANE

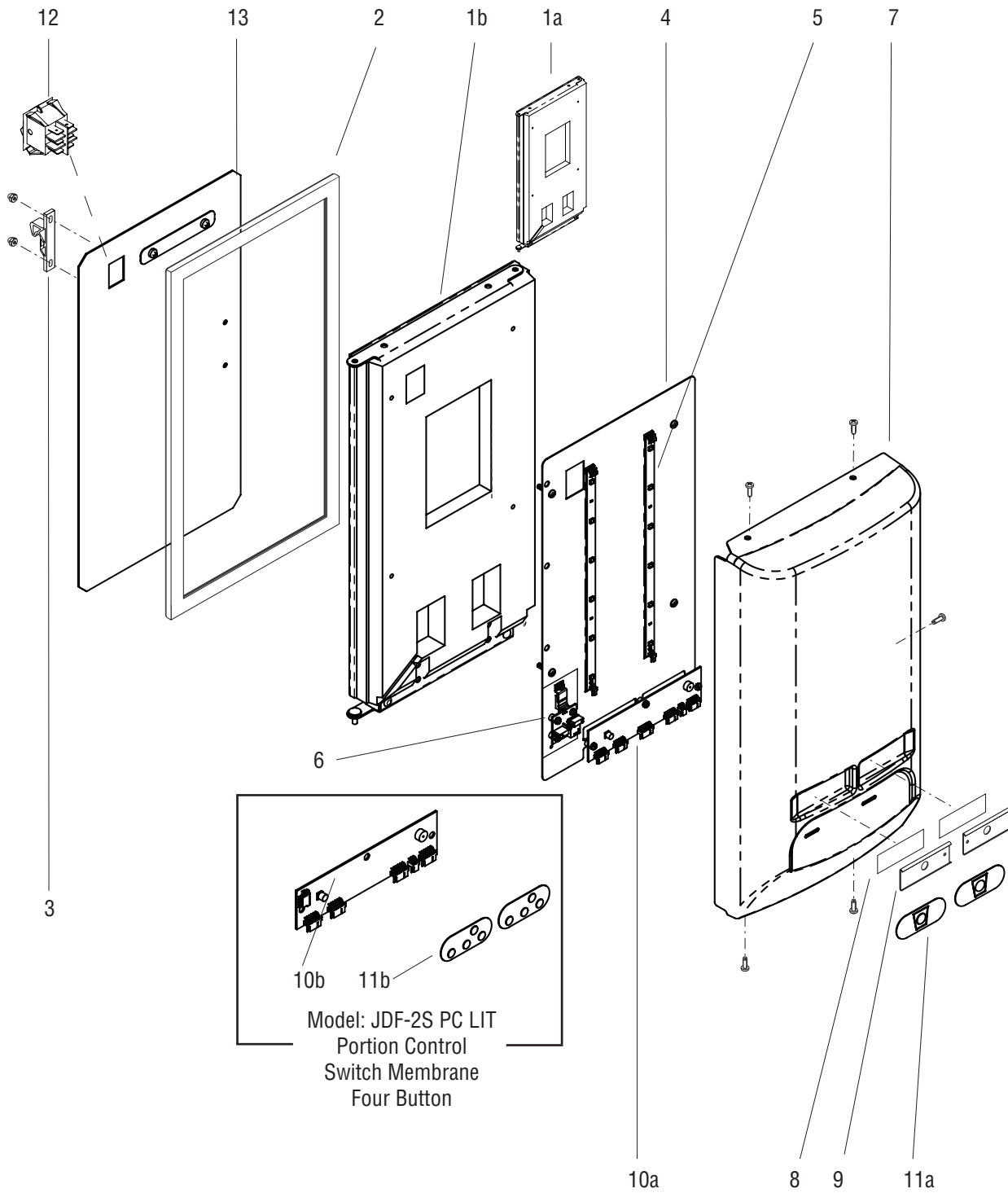
JDF-2S



DOOR ASSEMBLY - UNLITED PUSH/HOLD MEMBRANE

ITEM	PART NO.	QTY.	DESCRIPTION
1	49988.0002 a	1	Door Assy, Foamed without Dispense Switch Hole(Includes item 2 - Early Style)
	49988.0003 b	1	Door Assy, Foamed with Dispense Switch Hole(Includes item 2 -Later style)
2	38568.0002	1	Gasket, Door
3	38476.0002*	1	Cover, Door Front
	38476.0003*	1	Cover, Door Front w/Lock (Not illustrated)
	02331.0001	5	Screw, Truss Head, Blk #10-32 x .375"
4	32819.0001	2	Adhesive, Flavor Label holder
5	37018.0001	2	Flavor Label Holder
6	50489.0000	2	Switch, Membrane One Button
7	38560.0000	1	Decal, Door Wrap (BUNN Juice)
	38560.0001	1	Decal, Door Wrap (BUNN Iced Coffee)
8	34667.0000	1	Keeper, Door Latch
	02319.0000	2	Nut, Acorn
	01501.0000	2	Washer
9	50690.1003	1	Panel Assy, PB JDF-2S
	50690.1001	1	Panel Assy, PC JDF-2S
10	50477.1001	1	CBA, JDF-2S/4S Membrane Switch
	29081.0005	3	Spacer, PCB Mtg #6 x .250 LG
	14002.6300	3	Screw, PHN Cross Rec 6-20 x .75
11	52922.0000	1	Switch, Dispense Deck ON/OFF
12	49987.0001	1	Panel Assy, Door Inner JDF-2S
The following items are not illustrated			
13	41202.0009	1	Wiring Harness, Door PB Juice w/Program Switch
14	54692.0001	1	Wiring Harness, JDF-2S Disp/Disable Switch w/PH Membranes
15	32861.0000	1	Decals, Flavor (BUNN Juice)
	32861.0001	1	Decals, Flavor (BUNN Iced Coffee)

* Door Cover utilizes 50489.0000 membrane switches only.



DOOR ASSEMBLY - LITED w/PB or PC MEMBRANE SWITCHES

ITEM	PART NO.	QTY.	DESCRIPTION
1	49988.0002 a	1	Door Assy, Foamed without Dispense Switch Hole(Includes item 2 - Early Style)
	49988.0003 b	1	Door Assy, Foamed with Dispense Switch Hole(Includes item 2 -Later style)
2	38568.0002	1	Gasket, Door
3	34667.0000	1	Keeper, Door Latch
	02319.0000	2	Nut, Acorn
	01501.0000	2	Washer
4	50690.0000	1	Panel Assy, Light-LED PC JDF-2S
	01370.0000	4	Screw, Pan Head #8-32 x .75"
5	50421.0000	2	CBA, 6 LED
6	41727.1000	1	CBA, LED Backlight Regulator
	29081.0005	3	Spacer, PCB Mounting #6 x .250 LG
	14002.6300	3	Screw, PHN Cross Rec 6-20 x .75
7	53866.0000*	1	Graphic Form, Lit Door JDF-2S Membrane (Juice)
	53866.0001*	1	Graphic Form, Lit Door w/lock (Not illustrated)
	53866.0006*	1	Graphic Form, Lit Door (Iced Coffee)
	02331.0001	5	Screw, Truss Head, Blk #10-32 x .375"
8	32819.0001	2	Adhesive, Flavor Label holder
9	37018.0001	2	Flavor Label Holder
10	50477.1001 a	1	CBA, Membrane Switch JDF-2S/4S
	50477.1000 b	1	CBA, Membrane Switch Portion Control
	29081.0005	3	Spacer, PCB Mtg #6 x .250 LG
	14002.6300	3	Screw, PHN Cross Rec 6-20 x .75
11	50489.0000 a	2	Membrane Switch (Push Button Models)
	50490.0000 b	2	Four Button Membrane Switch (Portion Control Models)
12	52922.0000	1	Switch, Dispense Deck ON/OFF
13	49987.0001	1	Panel Assy, Door Inner JDF-2S

The following items are not illustrated

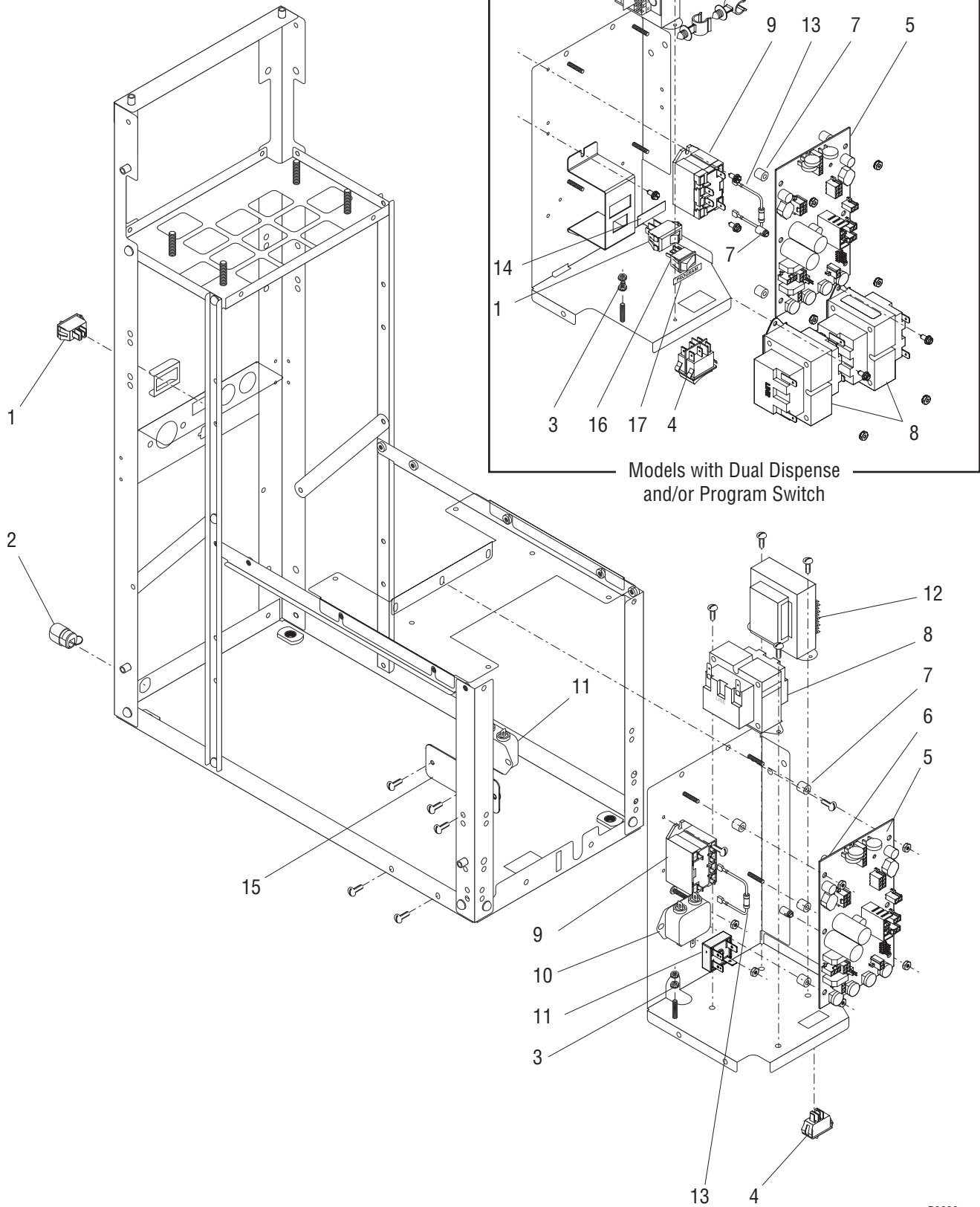
14	41202.0009	1	Wiring Harness, Door PH Juice w/Program Switch
	41202.0010	1	Wiring Harness, Door PC Juice w/Program Switch
15	54692.0001	1	Wiring Harness, JDF-2S Dispense/Disable Switch - PH Membranes
	54692.0000	1	Wiring Harness, JDF-2S Dispense/Disable Switch - PC Membranes
16	42609.0001	1	Wiring Harness, LED/CBA JDF-2S/4S - PH or PC
17	41203.0001	1	Wiring Harness, Program Switch - PC

* Door Cover utilizes 50489.0000 and 50490.0000 membrane switches only.



ELECTRICAL COMPONENTS

JDF-2S



P3626

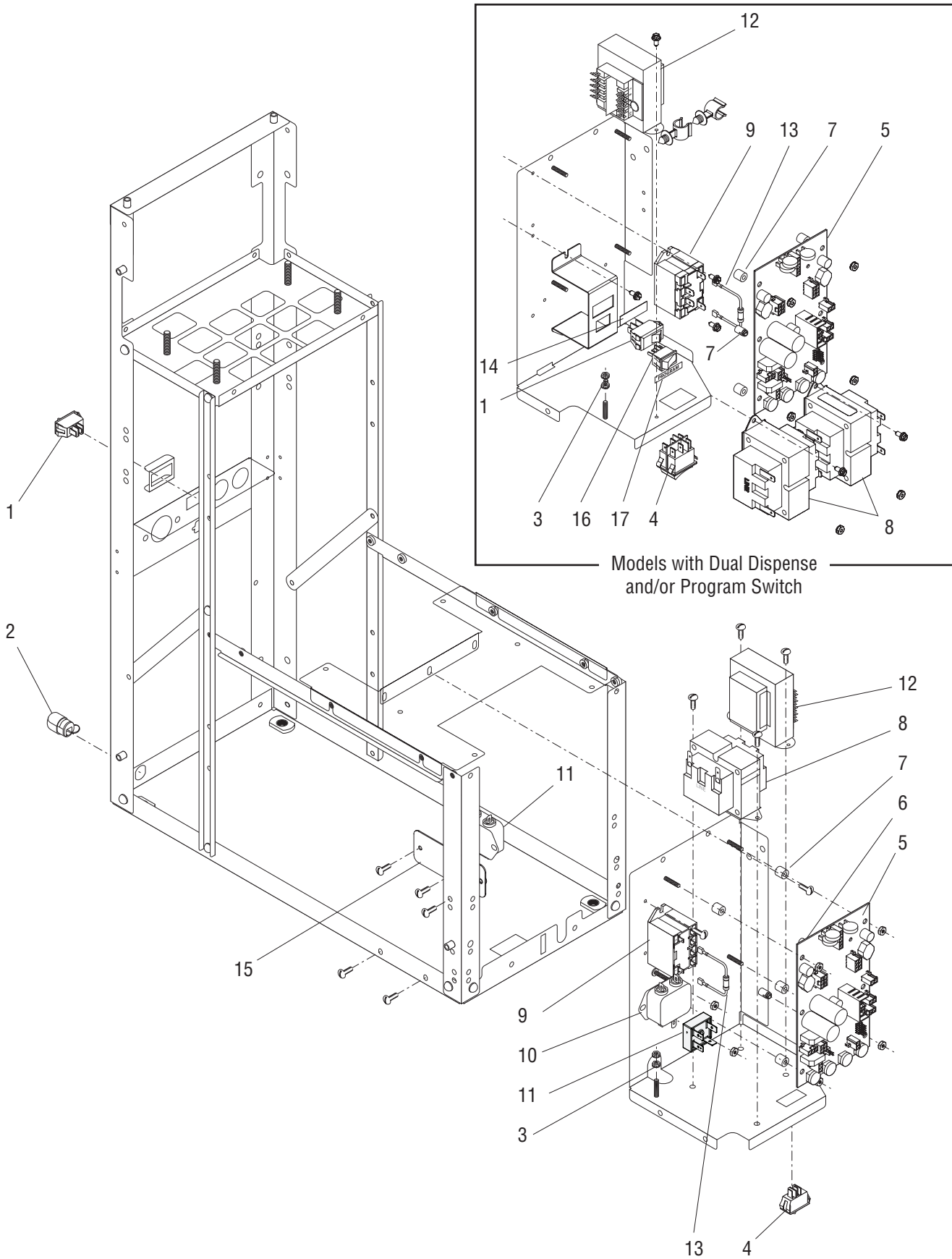
ELECTRICAL COMPONENTS

ITEM	PART NO.	QTY.	DESCRIPTION
1	04786.0005	1	Switch, Compressor ON/OFF
2	00707.0000	1	Bushing, Strain Relief
3	00970.0000	2	Nut, Harness Grounding
4	52922.0000	1	Switch, Dispense Deck ON/OFF
5	40177.1000	1	Circuit Board
	00973.0000	4	Nut, Keps #6-32
6	29081.0000	2	Spacer
7	01533.0000	4	Spacer
8	39305.0000	1	Transformer 120V (One additional used with Dual Dispense)
	39417.0001	1	Transformer 230V
	02335.0001	2	Screw, Crimptite #8 x .38"
9	37711.0000	1	Relay 120V
	37711.0001	1	Relay 230V
	02335.0001	2	Screw, Crimptite #8 x .38"
10	29446.0000	1	EMI Filter 230V
	02335.0001	2	Screw, Crimptite #8 x .38"
11	22126.0000	1	Rectifier (Lited Doors w/ Fluorescent Bulbs only)
	00973.0000	1	Nut, Keps #6-32
12	28860.0000	1	Transformer 120V (Models w/ Lited Door)
	28860.0001	1	Transformer 230V (Models w/ Lited Door)
	02335.0001	2	Screw, Crimptite #8 x .38"
13	40770.1000	1	Resistor 230V
14	41509.0000	1	Decal, Compressor Switch (Models with Front Mounted Compressor Sw.)
15	41410.0000	1	Bracket, EMI Filter (Models with Front Mounted Compressor Sw.)
	02335.0001	1	Screw, Crimptite #8 x .38"
	02328.0003	2	Screw, Pan Head #6-32 x .312"
	00973.0000	2	Nut, Keps #6-32
16	20317.0004	1	Switch, Program
17	44240.0000	1	Decal, Program

(Continued)



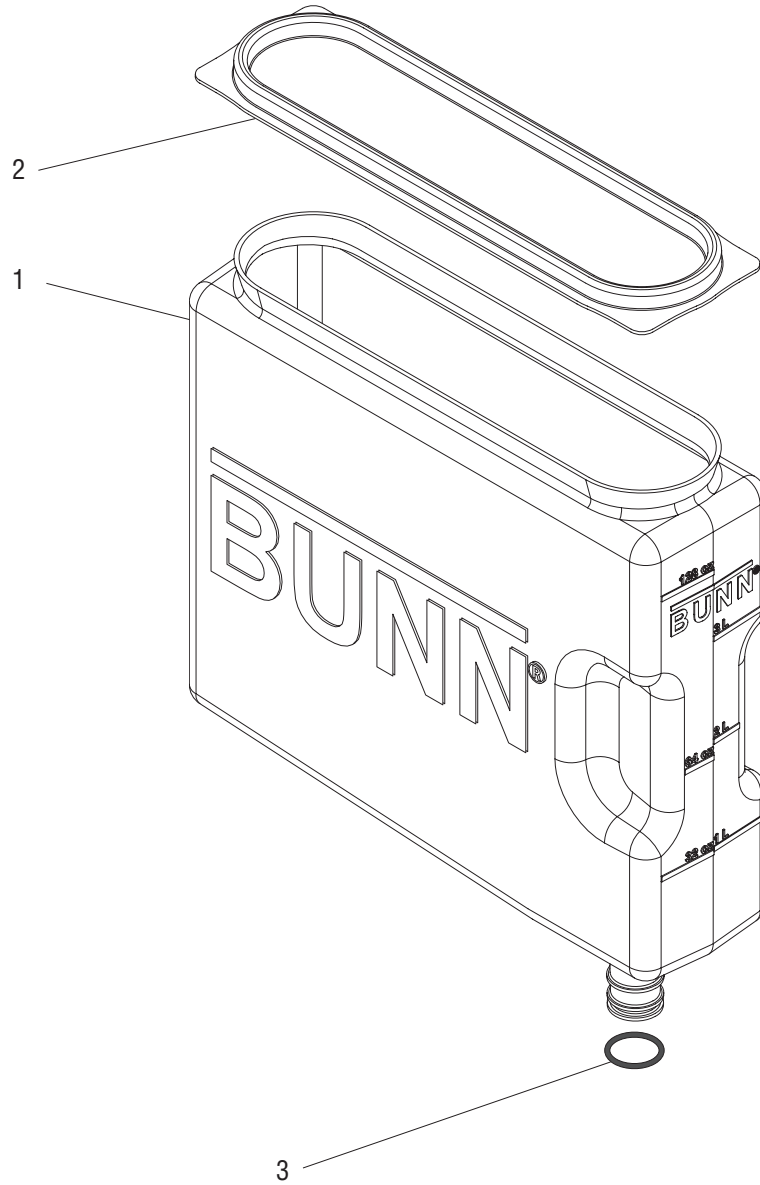
(Continued)



P3626

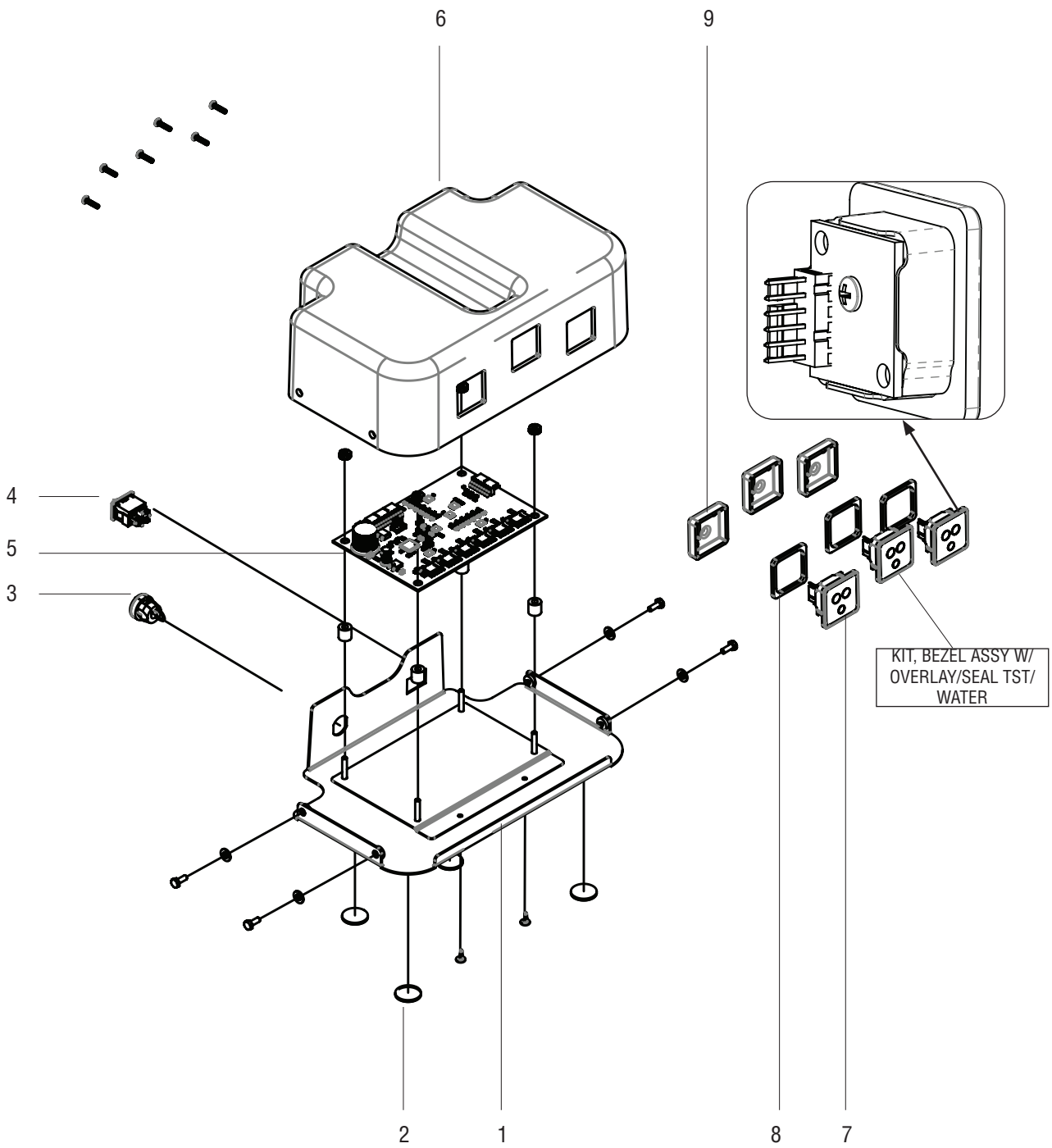
ELECTRICAL COMPONENTS

ITEM	PART NO.	QTY.	DESCRIPTION
The following items are not illustrated			
18	20630.0013	1	Power Cord 120V
19	38870.0000	1	Wiring Harness, Transformer to Circuit Bd. (One additional used with Dual Dispense)
20	40118.0000	1	Wiring Harness, Transformer to Circuit Board (Lited Doors)
21	38869.0001	1	Wiring Harness, Main 120V (Models with rear mounted refrigeration switch)
	38869.0002	1	Wiring Harness, Main 120V (Models with front mounted refrigeration switch)
22	38873.0001	1	Wiring Harness, Platform
23	38872.0001	1	Wiring Harness, Unlited Door
	38872.0002	1	Wiring Harness, Unlited Door (Models with Program Sw.)
	40044.0002	1	Wiring Harness, Lited Door (Models with Fluorescent Bulbs)
	40044.0004	1	Wiring Harness, Lited Door (Models with LED Lighting)
24	39198.0000	1	Wiring Harness, EMI Filter 230V
25	41436.0000	1	Wiring Harness, Transformer Jumper (Models with Dual Dispense)
26	41203.0000	1	Wiring Harness, Dispense Disable Switch (Models with Portion Control)
	41203.0001	1	Wiring Harness, Dispense Disable Switch (Models with Program Sw.)
27	41202.0000	1	Wiring Harness, Lited Door (Models with Fluorescent Bulbs)
	41202.0001	1	Wiring Harness, Lited Door (Models with LED Lighting) (Models w/ Portion Control)
	41202.0007	1	Wiring Harness, Lited Door (Models with LED Lighting)(Models w/ Program Sw.)
	41202.0009	1	Wiring Harness, Door PB Juice w/Program Switch (Disp/Disable Switch Located in Door)
	41202.0010	1	Wiring Harness, Door PC Juice w/Program Switch (Disp/Disable Switch Located in Door)
28	54692.0000	1	Wiring Harness, JDF-2S Dispense/Disable Switch - PC (Disp/Disable Switch Located in Door)
	54692.0001	1	Wiring Harness, JDF-2S Dispense/Disable Switch - PB/Membrane (Disp/Disable Switch Located in Door)



REFILLABLE CONTAINER ASSEMBLY

ITEM	PART NO.	QTY.	DESCRIPTION
1	39302.0000	1	Container Assy (Includes items 1-3)
2	39299.0000	1	Lid
3	34261.0000	1	O-ring



TOUCHLESS SENSOR TECHNOLOGY KIT

ITEM	PART NO.	QTY.	DESCRIPTION
	45536.1005*	1	KIT, TST 2 VALVE W/WATER
1	45540.0003	1	PANEL WLDMT, TST/CBA MTG 2 VALVE
2	39443.1003	4	KIT, PAD ADHESIVE BACK .750 X .062
3	00707.0001	1	BUSHING, STRAIN RLF-STR 6L-1
4	57806.0000	1	SWITCH, ON/OFF 10A 125VAC DPST ROCKER
5	57669.1000	1	KIT, JDF/NITRON TOUCHLESS INTERFACE CBA
	00973.0000	4	NUT, KEPS 6-32 ZINC PLATE
	01533.0000	4	SPACER,NYL-.171IDx.375ODx.375
6	45537.0005	1	COVER, TST MTG 2 VALVE W/WATER
	02340.0001	4	SCREW,HEX HD-SST- 8-32x.38
	01522.0001	4	WASHER, FLAT-.187IDx.375OD SST
7	57699.1000	2	KIT, BEZEL ASSY W/OVERLAY/SEAL TST (INCLUDES ITEM 8, 9 & 15)
	57699.1001	1	KIT, BEZEL ASSY W/OVERLAY/SEAL TST/WATER (INCLUDES ITEM 8, 9 & 16)
	38837.0000	6	SCREW, PNH #4 TYPE 25 X .50 (2 SCREWS PER BEZEL ASSY)
8	57666.0000	3	SEAL, TST BEZEL
9	57559.0000	3	RETAINER, TOUCHLESS SENSOR TECH

The following items are not illustrated

10	57673.0000	1	WIRING HARNESS, INTERFACE TO MAIN CBA
11	57672.0000	1	WIRING HARNESS, SENSOR TO INTERFACE
12	57671.0000	1	WIRING HARNESS, SWITCH TO INTERFACE
13	57674.0000	1	WIRING HARNESS, Y-ADAPTER AC POWER
14	57757.0000	1	DECAL, JDF SPLASH GUARD
15	57676.0000	2	OVERLAY, TST BEZEL
16	57676.0001	1	OVERLAY, TST BEZEL AQUA
17	57758.0000	2	OVERLAY, JDF OVAL MEMB SWITCH

* TST kit used on JDF-2S machine with cold water dispense option.