



IC3 DBC Infusion Series®



ILLUSTRATED PARTS CATALOG

Designs, materials, weights, specifications, and dimensions for equipment or replacement parts are subject to change without notice.

BUNN-O-MATIC CORPORATION

POST OFFICE BOX 3227

SPRINGFIELD, ILLINOIS 62708-3227

PHONE: (217) 529-6601 FAX: (217) 529-6644

www.bunn.com

To ensure you have the latest revision of the Operating Manual, Illustrated Parts Catalog, Programming Manual, or Service Manual, please visit the Bunn-O-Matic website, at www.bunn.com. This is absolutely FREE, and the quickest way to obtain the latest catalog and manual updates. For Technical Service, contact Bunn-O-Matic Corporation at 1-800-286-6070.

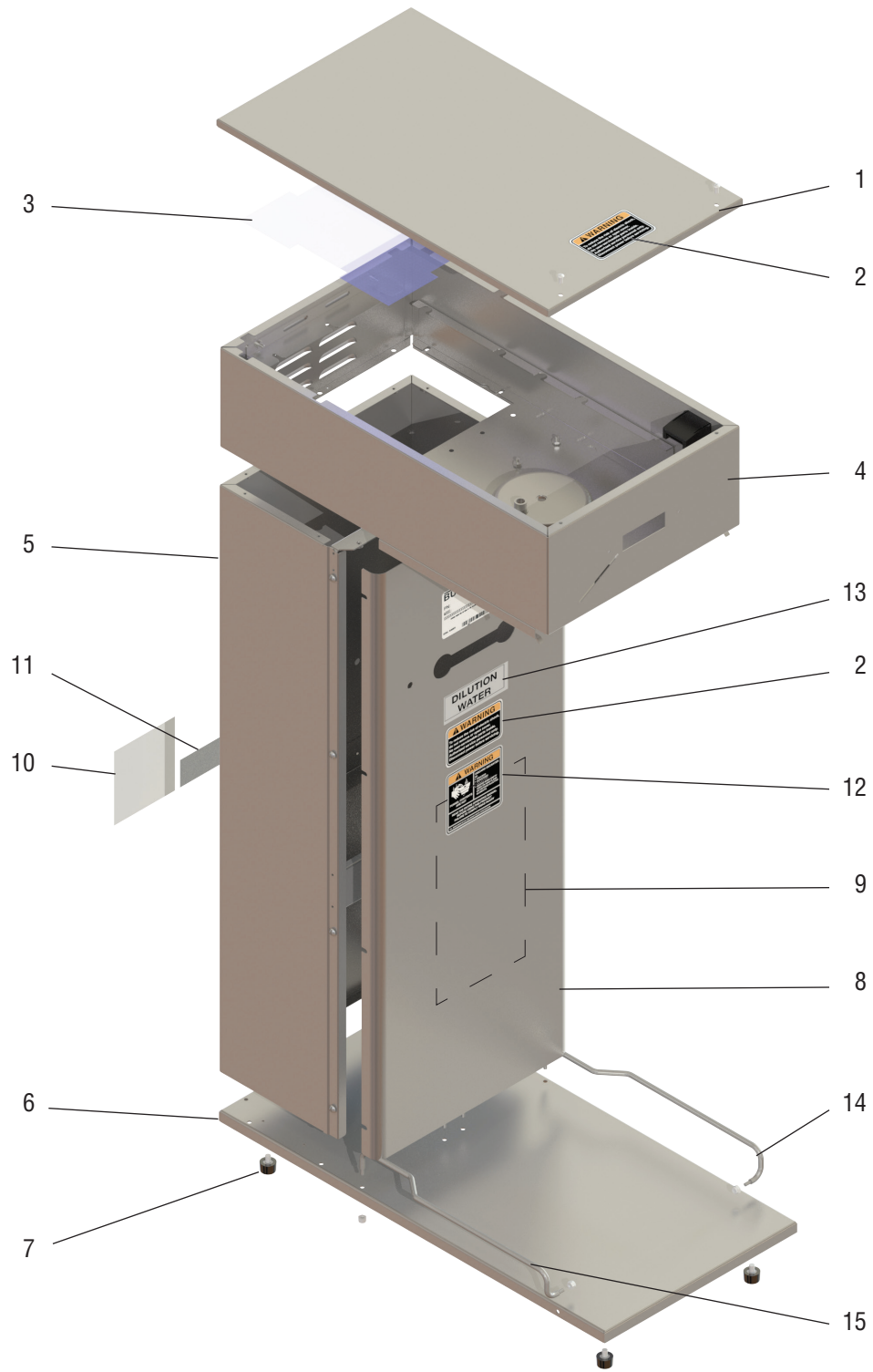
BUNN-O-MATIC COMMERCIAL PRODUCT WARRANTY

Warranty statements and information can be found on our website. Please visit <https://commercial.bunn.com/support/warranty-lookup> for further details.

TABLE OF CONTENTS

Top Cover, Hood, Trunk, Base & Panels	4
Tank Assembly	6
Lower Components	8
Upper Components	12
Funnel	14

To search this document electronically, press “control” + “F” (on P.C.) or “command” + “F” on Mac, then type in description or part number, press “enter”.



TOP COVER, HOOD, TRUNK, BASE AND PANELS

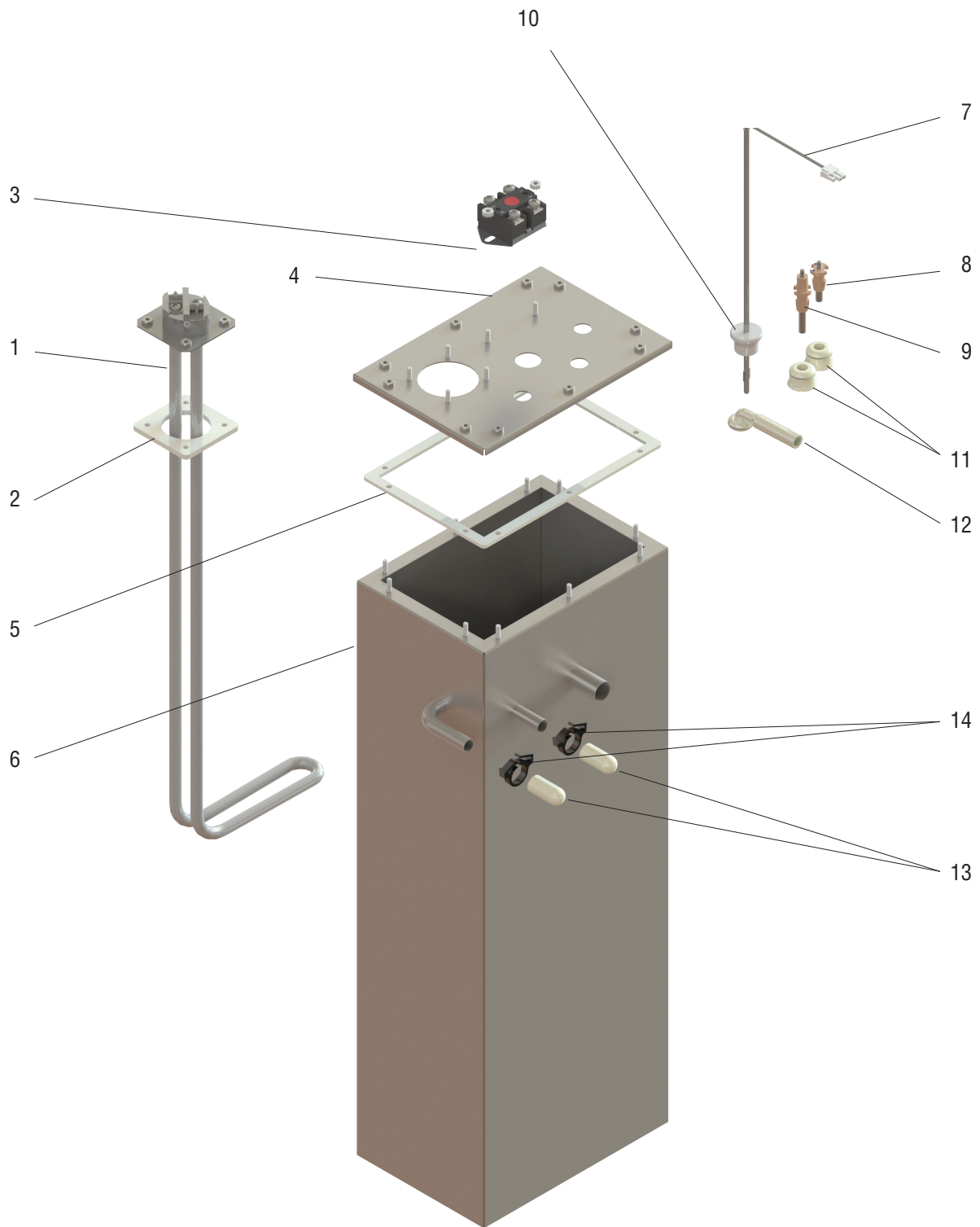
ITEM	PART NO.	QTY.	DESCRIPTION
1	24435.1000	1	Cover, Top W/Decals, (Includes items 2 & 3)
	01382.0000	2	Screw, Truss Head #6-32 x .375"
2	37881.0000	2	Decal, No Serviceable Parts
3	25151.0002	1	Shield, Insulator
4	47603.0000	1	Hood
	02308.0000	14	Screw, Pan Head #8-32 x .375"
5	47378.1001	1	Trunk (Includes # 10 & 11)
	02308.0000	7	Screw, Pan Head #8-32 x .375"
6	47376.0001	1	Base
7	25137.0001	4	Foot, .75" O.D. x .44"
	24600.0000	1	Kit, Foot (Includes 4 feet)
8	47606.1001	1	Panel, Access (Includes # 2 & 12)
	01311.0001	8	Screw, Truss Head #8-32 x .25"
9	48341.0000	1	Schematic, Electrical
10	00831.0000	1	Decal, WARNING Electrical
11	00656.0001	1	Decal, Comply to Plumbing Code
12	00658.0000	1	Decal, WARNING Funnel Contents
13	49021.0000	1	Decal, Dilution Water
14	36462.0000	1	Rail, Right
	00970.0000	2	Nut, Hex Keps #8-32
15	36461.0000	1	Rail, Left
	00970.0000	2	Nut, Hex Keps #8-32

* Indicates the part number listed is for reference only. See DESCRIPTION for possible service replacement.



TANK ASSEMBLY

IC3-DBC



TANK ASSEMBLY

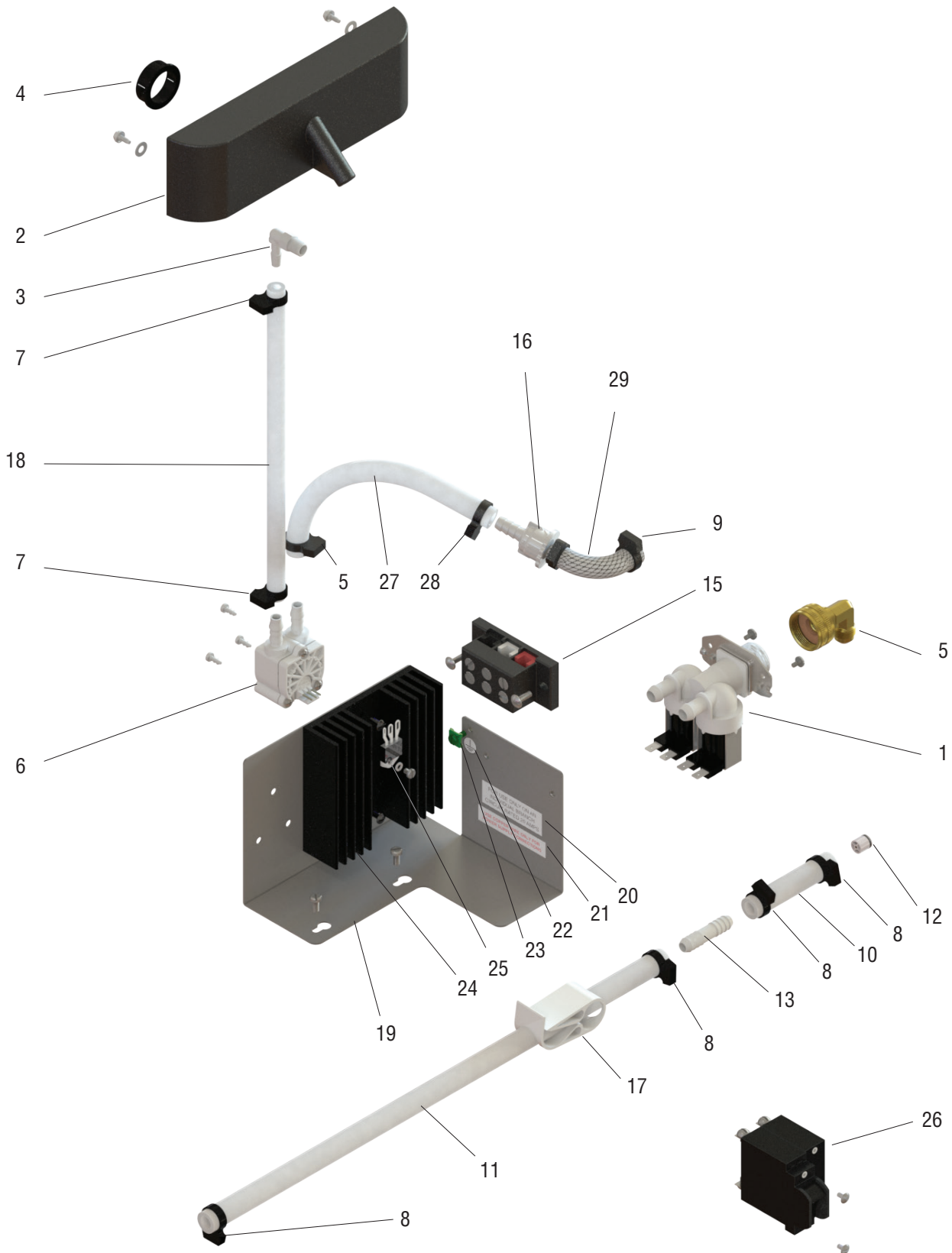
ITEM	PART NO.	QTY.	DESCRIPTION
1	12305.1000 00908.0000	1 4	Tank Heater Kit, 120/208V (Includes item 2) Nut, Hex #8-32
2	12398.0000	1	Gasket, Tank Heater
3	23717.0003 00970.0000	1 2	Limit Thermostat Nut, Keps #8-32
4	25926.0001 00908.0000	1 10	Tank Lid Nut, Hex #8-32
5	12377.0000	1	Gasket, Tank Lid
6	25920.0005	1	Tank
7	39085.0001	1	Probe, Temperature
8	07412.0003	1	Probe, Liquid Level
9	20936.0000	1	Probe, Liquid Level
10	33801.0003	1	Grommet, Temp Probe
11	38114.0000	2	Grommet, Liquid Level Probe
12	38969.0003	1	Fitting, 90° Silicon
13	29279.0000	2	Cap, Silicon
14	12422.0005	2	Clamp, SNP-12

* Indicates the part number listed is for reference only. See DESCRIPTION for possible service replacement.



LOWER COMPONENTS

IC3-DBC



LOWER COMPONENTS

ITEM	PART NO.	QTY.	DESCRIPTION
1	43041.0000	1	Kit, Replacement Solenoid 120VAC
	32283.0000	2	Screw, SST SLTD PNH M4 X 6MM
	46884.0000	1	Strainer
2	36360.1001	1	Nozzle, Dilution (Includes 40783.0000)
	02332.0005	2	Screw, Hex #6 x .375"
	28614.0000	2	Washer
3	40783.0000	1	Elbow, 1/8-27 NPT TO 1/4" BARB
4	01592.0001	1	Snap Bushing
5	37297.1001	1	Elbow, .375 Flr X .75 Fthrd
6	40752.1001	1	Meter, Flow
	41103.0000	3	Screws, #8
7	12422.0000	2	Clamp, SNP-6
8	12422.0001	4	Clamp, SNP-10
9	12422.0005	2	Clamp, SNP-12
10		1	Tubing, Silicon .375" x 3" (Order # 31, cut as needed)
11		1	Tubing, Silicon .375" x 9" (Order # 31, cut as needed)
12	36378.0001	1	Check Valve
13	34644.0000	1	Connector, .375" x .375"
14	41666.0006	1	Tube Assy,
15	07038.0000	1	Terminal Block
	01317.0000	2	Screws, TRH SLTD 8-32 x .5"
16	41595.0010	1	Flow Control Assembly (.500 GPM)
	20526.2500	1	Flow Washer/O-ring Kit (.500 GPM)
17	11630.0002	1	Clamp Shut Off, Tube
18		1	Tube, Silicon 1/4" x 26 1/2" (Order # 30, cut as needed)
19	47384.0000	1	Bracket, Component Mounting
	02308.0000	2	Screws, 8-32 x .375"
20	00985.0000	1	Decal, Individual Circuit
21	00870.0000	1	Decal, Use Copper Wire
22	00824.0002	1	Decal, Ground

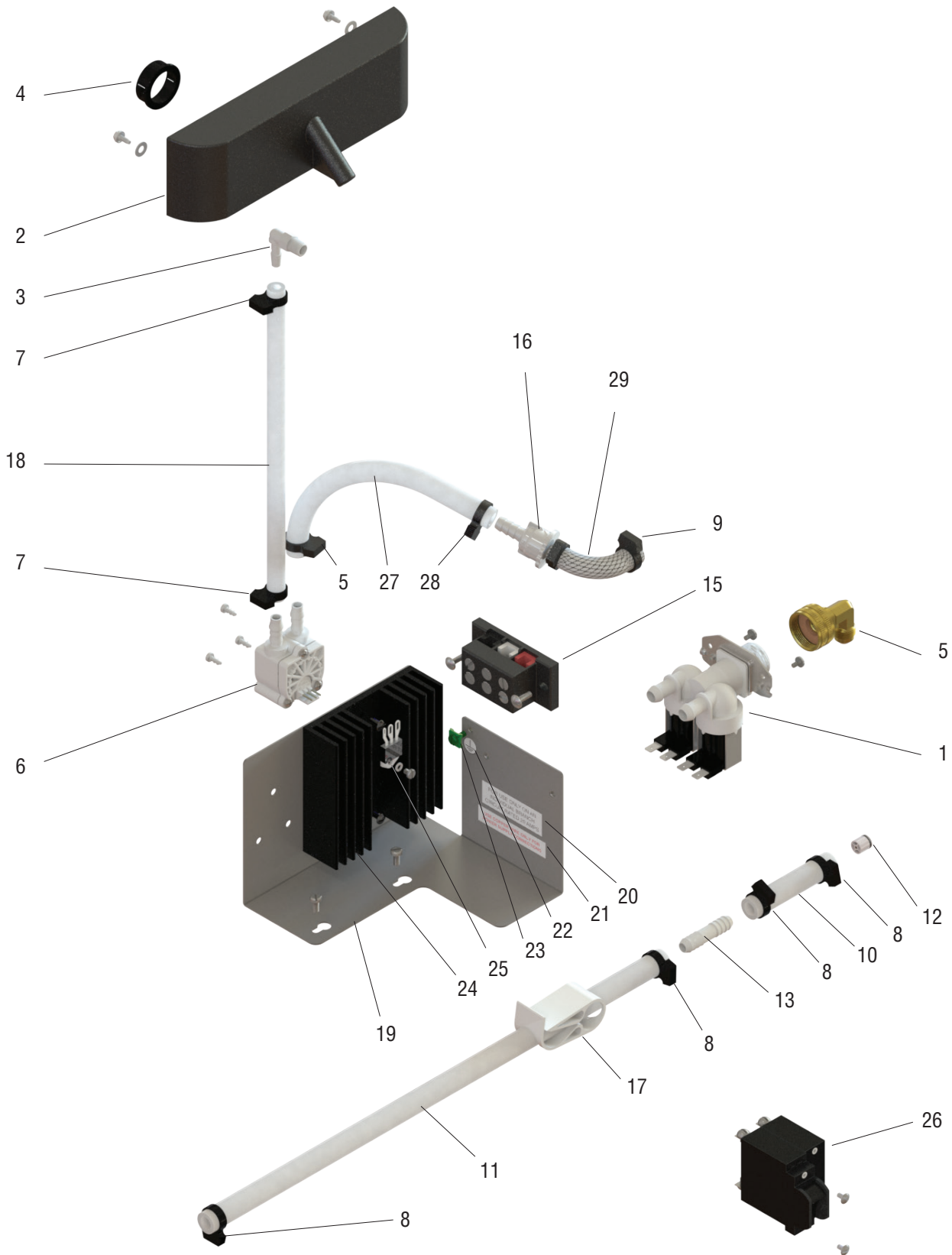
(continued)

* Indicates the part number listed is for reference only. See DESCRIPTION for possible service replacement.



LOWER COMPONENTS

IC3-DBC



LOWER COMPONENTS

ITEM	PART NO.	QTY.	DESCRIPTION
23	37804.0000	1	Screw, Ground 8-32 x .5"
24	20541.0001	1	Heat Sink
	01382.0007	2	Screw, 6-32 x .375"
25	12565.0050	1	Triac, Heater
	02328.0002	1	Screw, 6-32 x .188"
	01520.0000	1	Washer, Lock #6 SST
	M2522.1000	1	Compound, Heat Sink 5 oz Tube
26	38894.0001	1	Switch, Main
	01308.0002	2	Screw, TRH SLTD 6-32 x .25"
27		1	Tubing .3125" x 10½" (Order # 32, cut as needed)
28	12422.0006	1	Clamp, SNP-8
29	34325.0003	1	Tubing, Braided .375" ID x 3.0" (Order # 33, cut as needed)

The following items are not illustrated

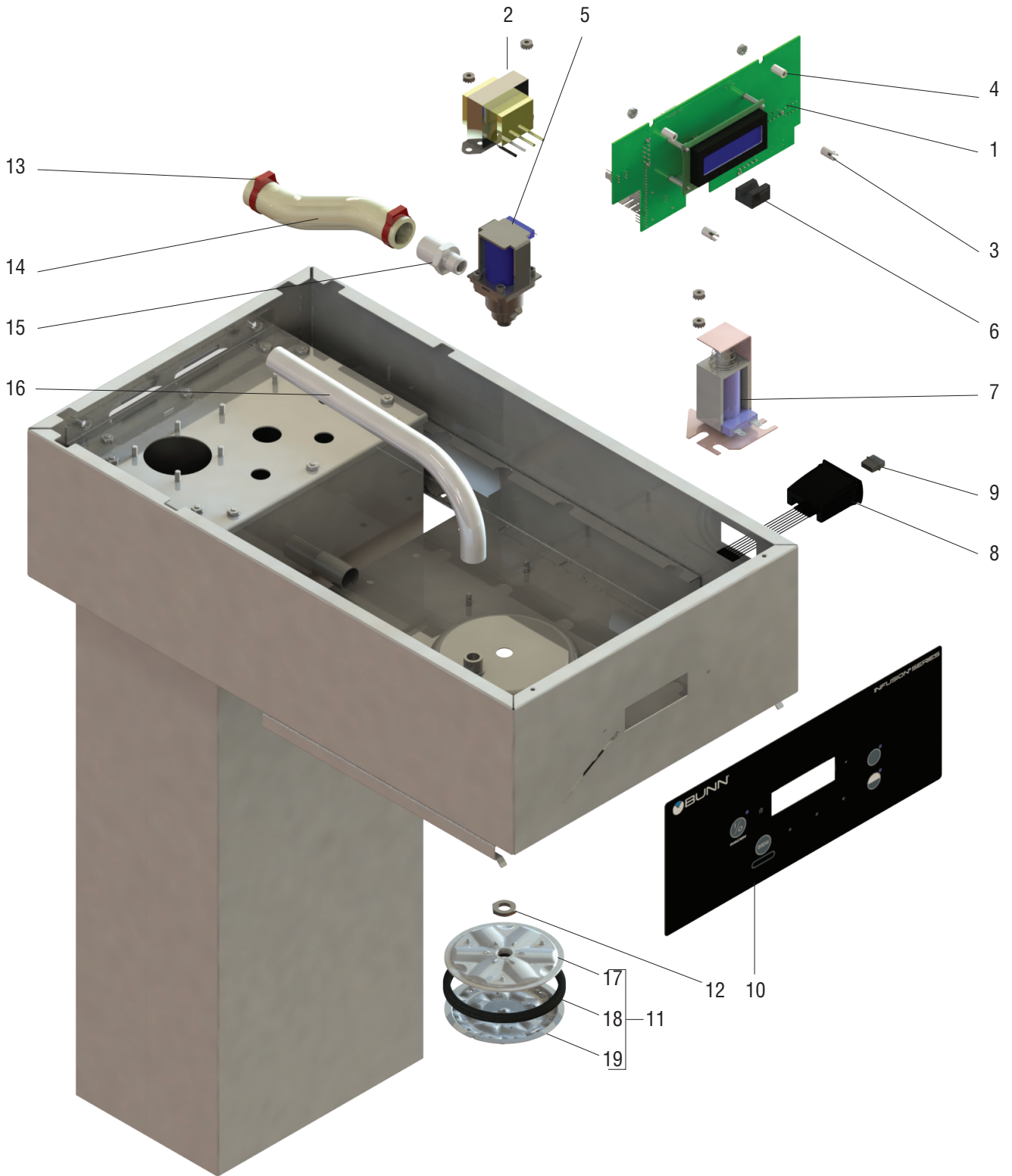
30	11707.1001	-	Tube .25" ID x 3' (Use as required)
	11707.1002	-	Tube .25" ID x 10' (Use as required)
	11707.1004	-	Tube .25" ID x 250' (Use as required)
31	20976.1000	-	Tube, .375" ID x 1' (Use as required)
	20976.1001	-	Tube, .375" ID x 3' (Use as required)
	20976.1002	-	Tube, .375" ID x 10' (Use as required)
	20976.1004	-	Tube, .375" ID x 250' (Use as required)
32	28526.1000	-	Tube, .3125" ID x 1' (Use as required)
	28526.1001	-	Tube, .3125" ID x 3' (Use as required)
	28526.1002	-	Tube, .3125" ID x 5' (Use as required)
	28526.1003	-	Tube, .3125" ID x 10' (Use as required)
	28526.1004	-	Tube, .3125" ID x 50' (Use as required)
33	34325.1000	-	Tubing, Braided .375" ID x 1' (Use as required)
	34325.1001	-	Tubing, Braided .375" ID x 3' (Use as required)
	34325.1002	-	Tubing, Braided .375" ID x 10' (Use as required)
34	47438.0003	1	Lead Assembly, Limit to Triac

* Indicates the part number listed is for reference only. See DESCRIPTION for possible service replacement.



UPPER COMPONENTS

IC3-DBC



UPPER COMPONENTS

ITEM	PART NO.	QTY.	DESCRIPTION
1	45787.1070	1	CBA
	00973.0000	2	Keps Nut #6-32
2	34307.1001	1	Transformer
	00970.0000	2	Keps Nut #8-32
3	29081.0000	2	Spacer, #6 x .375"
4	01533.0011	2	Spacer, .171" I.D. x .375"
5	26846.0000	1	Valve Assembly, Sprayhead 120V (Discontinued, use 56771.0000)
	11517.0008	-	Repair Kit (Includes plunger, spring & diaphragm)
	23255.0000	-	Diaphragm Only
	23254.0000	4	Screw
	23256.0000	1	Spacer Plate
	56771.0000	1	Valve Assembly, Sprayhead 120V
	56815.0000	-	Repair Kit (Includes plunger, spring & diaphragm)
	56816.0000	-	Diaphragm Only
22305.0001	1	Coil 120VAC (used in both styles)	
6	36366.0000	1	Mount, CBA
7	35952.1003	1	Solenoid, Funnel Lock 120VDC
8	48455.0000	1	Receptacle, USB
9	48456.0000	1	Plug, Filler
10	46849.0001	1	Membrane Switch
11	40670.1222	1	Sprayhead
12	01075.0000	1	Nut, Hex .438-20
13	12422.0008	2	Clamp SNP-22
14		1	Tube, Silicone 3/4" ID x 7" (Order # 23, cut as needed)
15	34956.0000	1	Fitting .25" NPTF Hose -.75" ID
16		1	Tube, Silicone 1/2" ID x 11" (Order # 24, cut as needed)
17	52112.0003	1	Back, Sprayhead
18	34868.0000	1	Seal, Sprayhead
19	43920.0005	1	Sprayhead, 17 Hole
The following items are not illustrated			
20	48612.0001	1	Wiring Harness, Main
21	44079.0001	1	Wiring Harness, Flow Meter to CBA
22	26858.0000	1	Power Cord, 10/4
23	35052.1007	-	Tube .50" ID x 3 Feet (Use as required)
	35052.1050	-	Tube .50" ID x 50 Feet (Use as required)
24	32591.1001	-	Tube .50" ID x 1 Foot (Use as required)
	32591.1002	-	Tube .50" ID x 3 Feet (Use as required)
	32591.1003	-	Tube .50" ID x 10 Feet (Use as required)
	32591.1004	-	Tube .50" ID x 250 Feet (Use as required)

* Indicates the part number listed is for reference only. See DESCRIPTION for possible service replacement.



FUNNEL

IC3-DBC



FUNNEL

ITEM	PART NO.	QTY.	DESCRIPTION
1	45845.0002	1	Funnel Assembly (Includes items 2 thru 9)
2	39372.0006	1	Basket
3		1	Funnel (Order item 1)
4	03408.0004	1	Decal, WARNING REMOVE FUNNEL SLOWLY
5	43028.1000	2	Handle, Funnel (Includes Item 6)
6	12499.0002	2	Screw, Round Head .25"-20 x 1.50"
7	03409.0004	1	Decal, WARNING HOT LIQUID
8	32139.0000	1	Insert, Male
9	32140.0000	1	Insert, Female

} See also item 10

The following items are not illustrated

10	01031.0001	-	Kit, Funnel Tip (Includes both inserts)
----	------------	---	---

* Indicates the part number listed is for reference only. See DESCRIPTION for possible service replacement.