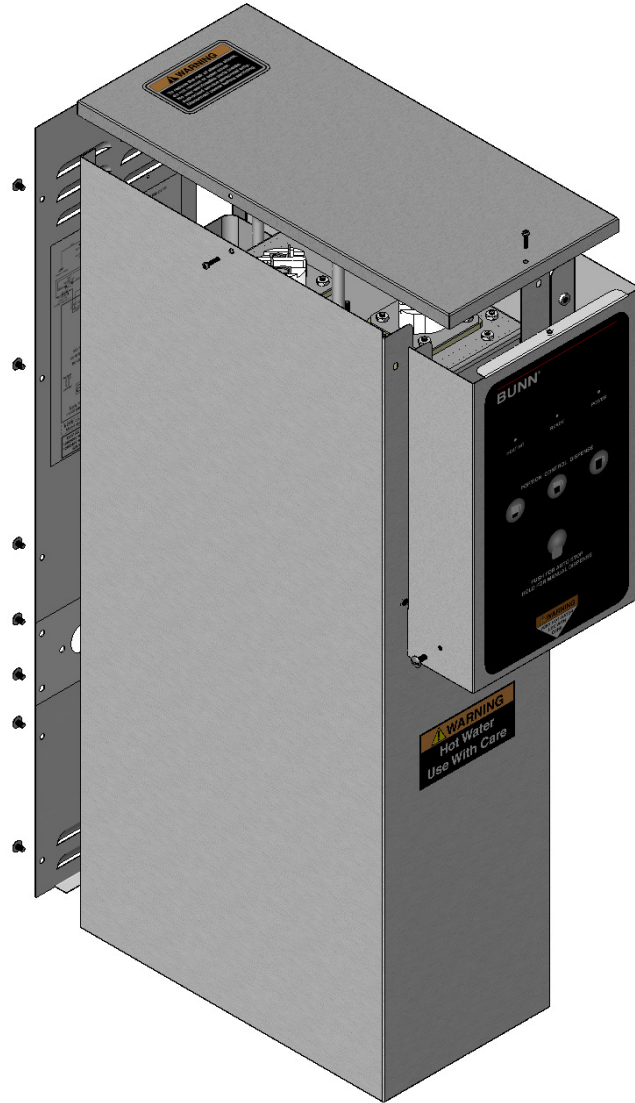


BUNN®

H5E-DV PC *H5EA PC*



ILLUSTRATED PARTS CATALOG

Designs, materials, weights, specifications, and dimensions for equipment or replacement parts are subject to change without notice.

BUNN-O-MATIC CORPORATION

POST OFFICE BOX 3227

SPRINGFIELD, ILLINOIS 62708-3227

PHONE: (217) 529-6601 FAX: (217) 529-6644



BUNN-O-MATIC COMMERCIAL PRODUCT WARRANTY

Bunn-O-Matic Corp. ("BUNN") warrants equipment manufactured by it as follows:

- 1) Airpots, thermal carafes, decanters, GPR servers, iced tea/coffee dispensers, MCP/MCA pod brewers thermal servers and ThermoFresh servers (mechanical and digital)- 1 year parts and 1 year labor.
- 2) All other equipment - 2 years parts and 1 year labor plus added warranties as specified below:
 - a) Electronic circuit and/or control boards - parts and labor for 3 years.
 - b) Compressors on refrigeration equipment - 5 years parts and 1 year labor.
 - c) Grinding burrs on coffee grinding equipment to grind coffee to meet original factory screen sieve analysis - parts and labor for 4 years or 40,000 pounds of coffee, whichever comes first.

These warranty periods run from the date of installation BUNN warrants that the equipment manufactured by it will be commercially free of defects in material and workmanship existing at the time of manufacture and appearing within the applicable warranty period. This warranty does not apply to any equipment, component or part that was not manufactured by BUNN or that, in BUNN's judgment, has been affected by misuse, neglect, alteration, improper installation or operation, improper maintenance or repair, non periodic cleaning and descaling, equipment failures related to poor water quality, damage or casualty. In addition, the warranty does not apply to replacement of items subject to normal use including but not limited to user replaceable parts such as seals and gaskets. This warranty is conditioned on the Buyer 1) giving BUNN prompt notice of any claim to be made under this warranty by telephone at (217) 529-6601 or by writing to Post Office Box 3227, Springfield, Illinois 62708-3227; 2) if requested by BUNN, shipping the defective equipment prepaid to an authorized BUNN service location; and 3) receiving prior authorization from BUNN that the defective equipment is under warranty.

THE FOREGOING WARRANTY IS EXCLUSIVE AND IS IN LIEU OF ANY OTHER WARRANTY, WRITTEN OR ORAL, EXPRESS OR IMPLIED, INCLUDING, BUT NOT LIMITED TO, ANY IMPLIED WARRANTY OF EITHER MERCHANTABILITY OR FITNESS FOR A PARTICULAR PURPOSE. The agents, dealers or employees of BUNN are not authorized to make modifications to this warranty or to make additional warranties that are binding on BUNN. Accordingly, statements by such individuals, whether oral or written, do not constitute warranties and should not be relied upon.

If BUNN determines in its sole discretion that the equipment does not conform to the warranty, BUNN, at its exclusive option while the equipment is under warranty, shall either 1) provide at no charge replacement parts and/or labor (during the applicable parts and labor warranty periods specified above) to repair the defective components, provided that this repair is done by a BUNN Authorized Service Representative; or 2) shall replace the equipment or refund the purchase price for the equipment.

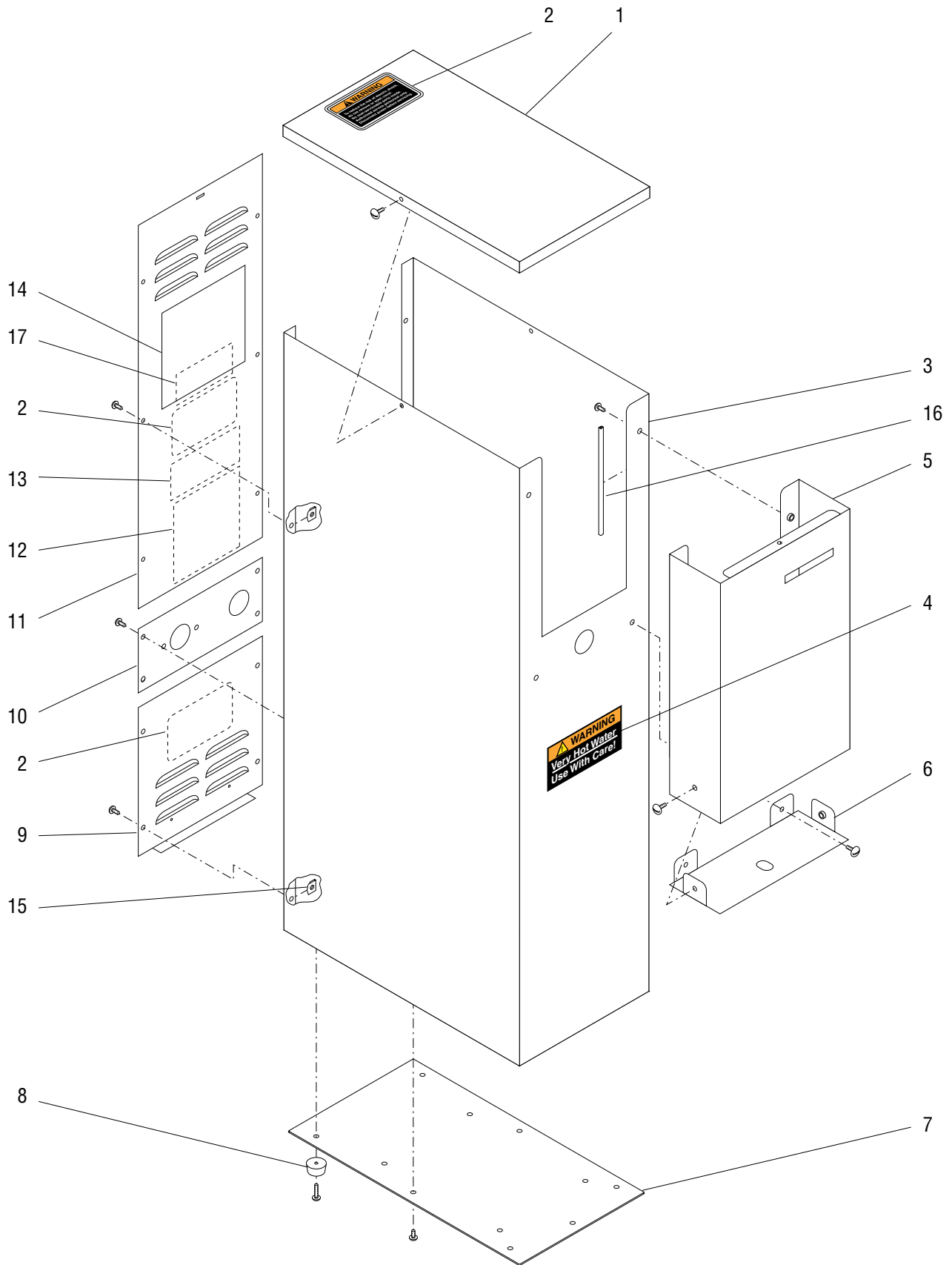
THE BUYER'S REMEDY AGAINST BUNN FOR THE BREACH OF ANY OBLIGATION ARISING OUT OF THE SALE OF THIS EQUIPMENT, WHETHER DERIVED FROM WARRANTY OR OTHERWISE, SHALL BE LIMITED, AT BUNN'S SOLE OPTION AS SPECIFIED HEREIN, TO REPAIR, REPLACEMENT OR REFUND.

In no event shall BUNN be liable for any other damage or loss, including, but not limited to, lost profits, lost sales, loss of use of equipment, claims of Buyer's customers, cost of capital, cost of down time, cost of substitute equipment, facilities or services, or any other special, incidental or consequential damages.

392, A Partner You Can Count On, Air Infusion, AutoPOD, AXIOM, BrewLOGIC, BrewMETER, Brew Better Not Bitter, BrewWISE, BrewWIZARD, BUNN Espresso, BUNN Family Gourmet, BUNN Gourmet, BUNN Pour-O-Matic, BUNN, BUNN with the stylized red line, BUNNlink, Bunn-O-Matic, Bunn-O-Matic, BUNNserve, BUNNSERVE with the stylized wrench design, Cool Froth, DBC, Dr. Brew stylized Dr. design, Dual, Easy Pour, EasyClear, EasyGard, FlavorGard, Gourmet Ice, Gourmet Juice, High Intensity, iMIX, Infusion Series, Intellisteam, My Café, Phase Brew, PowerLogic, Quality Beverage Equipment Worldwide, Respect Earth, Respect Earth with the stylized leaf and coffee cherry design, Safety-Fresh, savemycoffee.com, Scale-Pro, Silver Series, Single, Smart Funnel, Smart Hopper, SmartWAVE, Soft Heat, SplashGard, The Mark of Quality in Beverage Equipment Worldwide, ThermoFresh, Titan, trifacta, Velocity Brew, Air Brew, Beverage Bar Creator, Beverage Profit Calculator, Brew better, not bitter., BUNNSource, Coffee At Its Best, Cyclonic Heating System, Daypart, Digital Brewer Control, Element, Milk Texturing Fusion, Nothing Brews Like a BUNN, Pouring Profits, Signature Series, Sure Tamp, Tea At Its Best, The Horizontal Red Line, Ultra are either trademarks or registered trademarks of Bunn-O-Matic Corporation. The commercial trifacta® brewer housing configuration is a trademark of Bunn-O-Matic Corporation.

TABLE OF CONTENTS

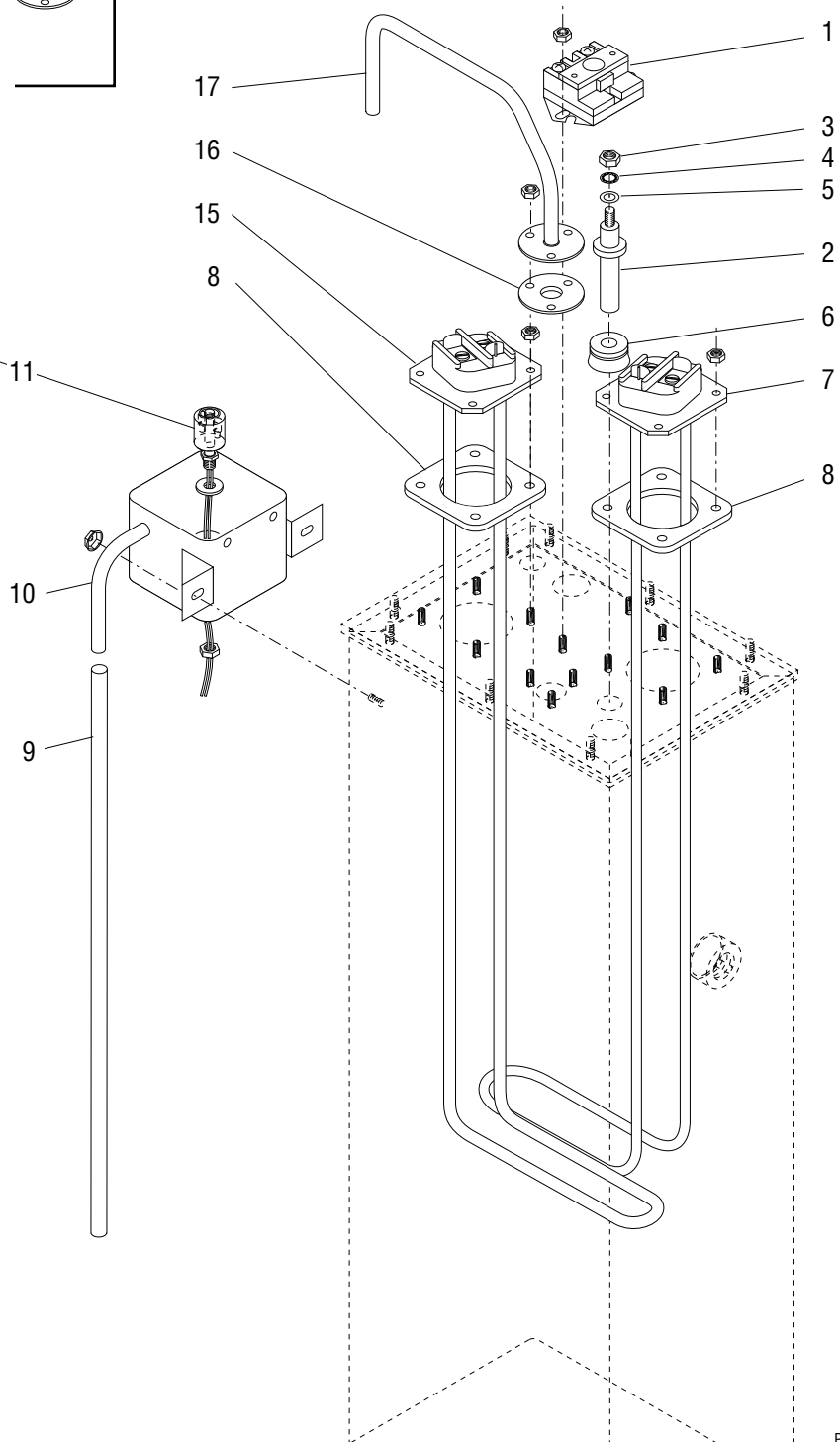
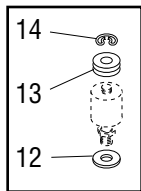
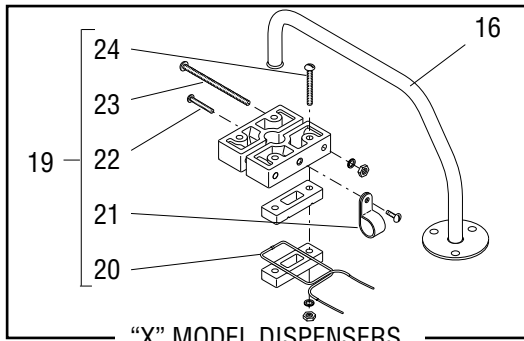
TITLE	PAGE NO.
Housings, Covers & Panels.....	4
Tank, Fill Valve and Dispense Valve (Early Models).....	10
Tank, Fill Valve and Dispense Valve (Late Models).....	8
Electrical Controls.....	14
Numerical Index.....	18
Tank Heater & Overflow Protection Devices (Dual Volt Models).....	6
Tank Heater & Overflow Protection Devices (Dual Volt Models).....	8
Wall Brackets, Drip Tray & Wire Shelf.....	16



HOUSING, COVERS, AND PANELS

ITEM	PART NO.	QTY.	DESCRIPTION
1	12505.1002	1	Cover W/Decal (Includes item 2)
	01303.0000	3	Screw, Pan Head #4 - 40 X .50"
2	37881.0000	3	Decal, No Serviceable Parts
3	12503.1005	1	Housing W/Decal (Includes item 4)
	12503.1008	1	Housing W/Decal 230V (Includes item 4)
4	12593.0000	1	Decal, Warning Very Hot Water
5	39148.0000	1	Shroud
	01303.0000	2	Screw, Pan Head #4 - 40 X .50"
	01315.0000	2	Screw, Truss Head #8 - 32 x .38"
	00970.0000	2	Nut, Keps #8 - 32
6	39146.0000	1	Bracket, Dispense Valve Support
	01315.0000	2	Screw, Truss Head #8 - 32 x .38"
7	12509.0000	1	Plate, Bottom
	01315.0000	3	Screw, Truss Head #8 - 32 x .38"
8	00731.0000	4	Foot, Rubber
	01390.0000	4	Screw, Round Head #8 - 32 x .62"
9	12506.1001	1	Panel W/Decal, Rear Lower (Includes item 2)
	01311.0000	4	Screw, Truss Head #8 - 32 x .25"
10	12507.0001	1	Panel, Rear Middle
	01311.0000	4	Screw, Truss Head #8 - 32 x .25"
11	12508.1001	1	Panel W/Decals, Rear Upper (Includes items 2, 12, 13 and 14)
	01311.0000	6	Screw, Truss Head #8 - 32 x .25"
12	00831.0000	1	Decal, Warning - Electrical
13	00656.0001	1	Decal, Comply to Plumbing Code
14	39333.0000	1	Schematic, 120V, 120/208V and 120/240V
	39333.0001*	1	Schematic, 230V
15	00917.0000	8	Clip, J-Type #8-32
16	38278.0005*	1	Edging, Adhesive Lined 5.0" (Order item 18)
17	29710.0017	1	Decal, Optional Field Wiring 120V
	29710.0018	1	Decal, Optional Field Wiring Dual Volt
18	38278.1002	-	Edging, Adhesive Lined 36.0"

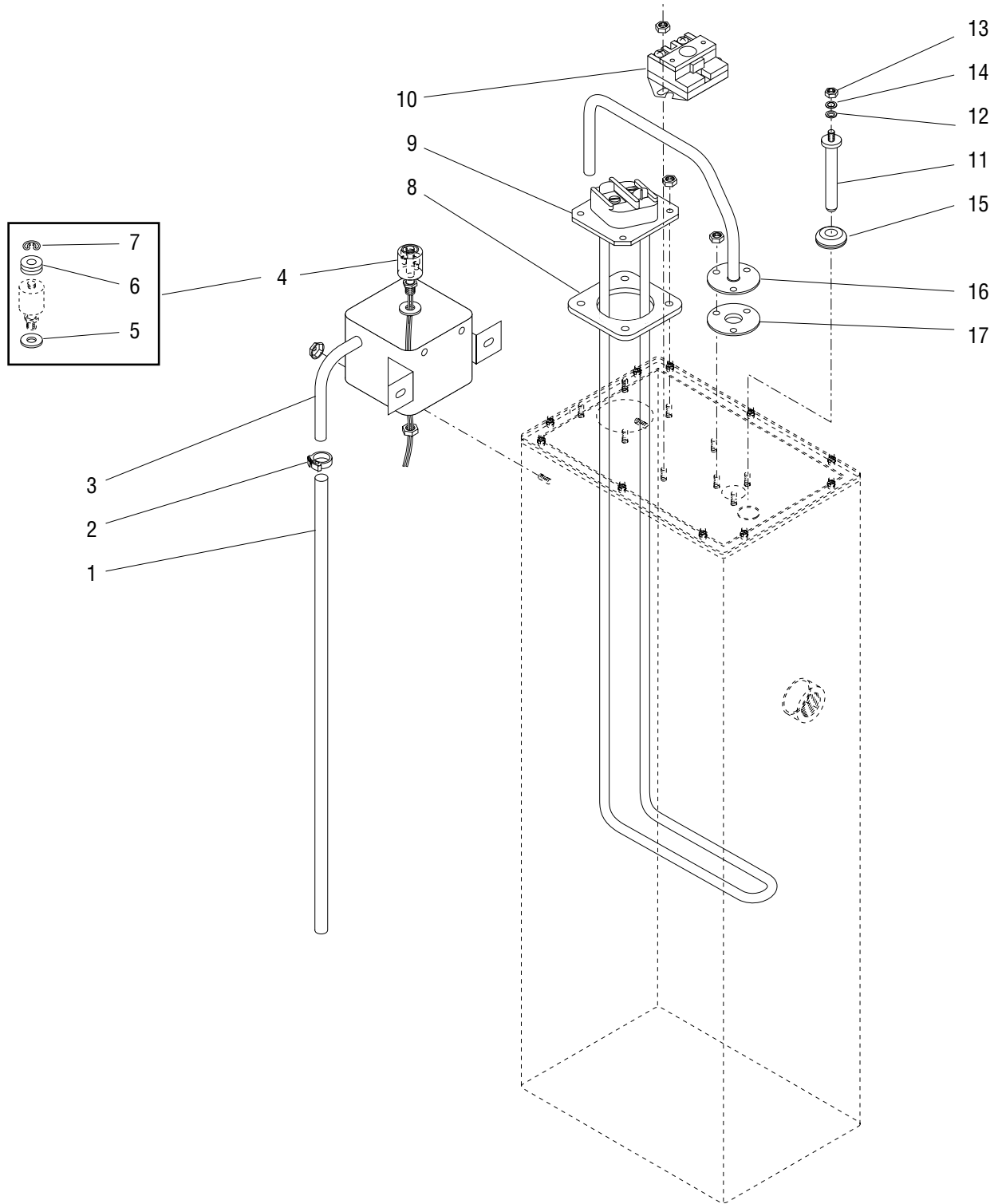
* Indicates the part number listed is for reference only. See DESCRIPTION for possible service replacement.



TANK HEATERS & OVERFLOW PROTECTION DEVICES (Dual Volt Models)

ITEM	PART NO.	QTY.	DESCRIPTION
1	23717.0003	1	Thermostat, Limit
	00908.0000	2	Nut, Hex #8 - 32
2	02645.1000	1	Probe Kit, Water Level (Includes items 3, 4, & 5)
3	00908.0000	1	Nut, Hex #8 - 32
4	20203.0100	1	Lockwasher, Internal Tooth #8
5	01501.0000	1	Washer .164" I.D. x .375" O.D.
6	38114.0000	1	Grommet, Silicone W/Flange
7	12524.1000	1	Tank Heater Kit 1800W 120V
	00908.0000	4	Nut, Hex #8 - 32
8	12398.0000	2	Gasket, Tank Heater
9	03236.0010*	1	Tube, Silicone .312" I.D. x 21.50" (Order item 18)
10	22728.0000	1	Overflow Cup Assy (Service replacement for both Aluminum and Copper cups)
	00971.0000	2	Nut, Keps #10 - 32
11	03803.0001	1	Switch Assy, Liquid Level 120V (Includes items 12, 13 & 14) w/o Termianals
	03803.0002	1	Switch Assy, Liquid Level 120V (Includes items 12, 13 & 14) with Termianals
	00946.0000	1	Nut, Hex .125" FPT
12	03633.0000	2	Gasket, Float Switch (Only 1 used in this application)
13	-----	3	Washer, Adjusting (DO NOT USE IN THIS APPLICATION)
14	03807.0000	1	Clip, Spring
15	12322.1000	1	Tank Heater Kit 4000W 240V
	00908.0000	4	Nut, Hex #8 - 32
16	05515.0000	1	Gasket, Overflow Tub
17	12518.0000	1	Tube, Overflow
	12585.0000	1	Tube, Overflow ("X" Model Dispensers)
	00908.0000	3	Nut, Hex #8 - 32
18	03236.1001	-	Tube, Silicone .312" I.D. x 36.0"
19	12586.0000	1	Thermistor Assy (Includes items 20 thru 24) ("X" Model Dispensers only)
20	12551.0000	1	Thermistor
21	41760.0000	1	Clamp, Thermistor
	01382.0000	1	Screw, Truss Head #6 - 32 x .38"
22	01388.0000	1	Screw, Truss Head #6 - 32 X .75"
23	02370.0002	2	Screw, Pan Head #6 - 32 x 2.0"
	01520.0000	2	Lockwasher, Split #6
	00906.0000	2	Nut #6 - 32
24	02370.0001	2	Screw, Pan Head #6 - 32 x 1.25"
	01520.0000	2	Lockwasher, Split #6
	00906.0000	2	Nut #6 - 32

* Indicates the part number listed is for reference only. See DESCRIPTION for possible service replacement.



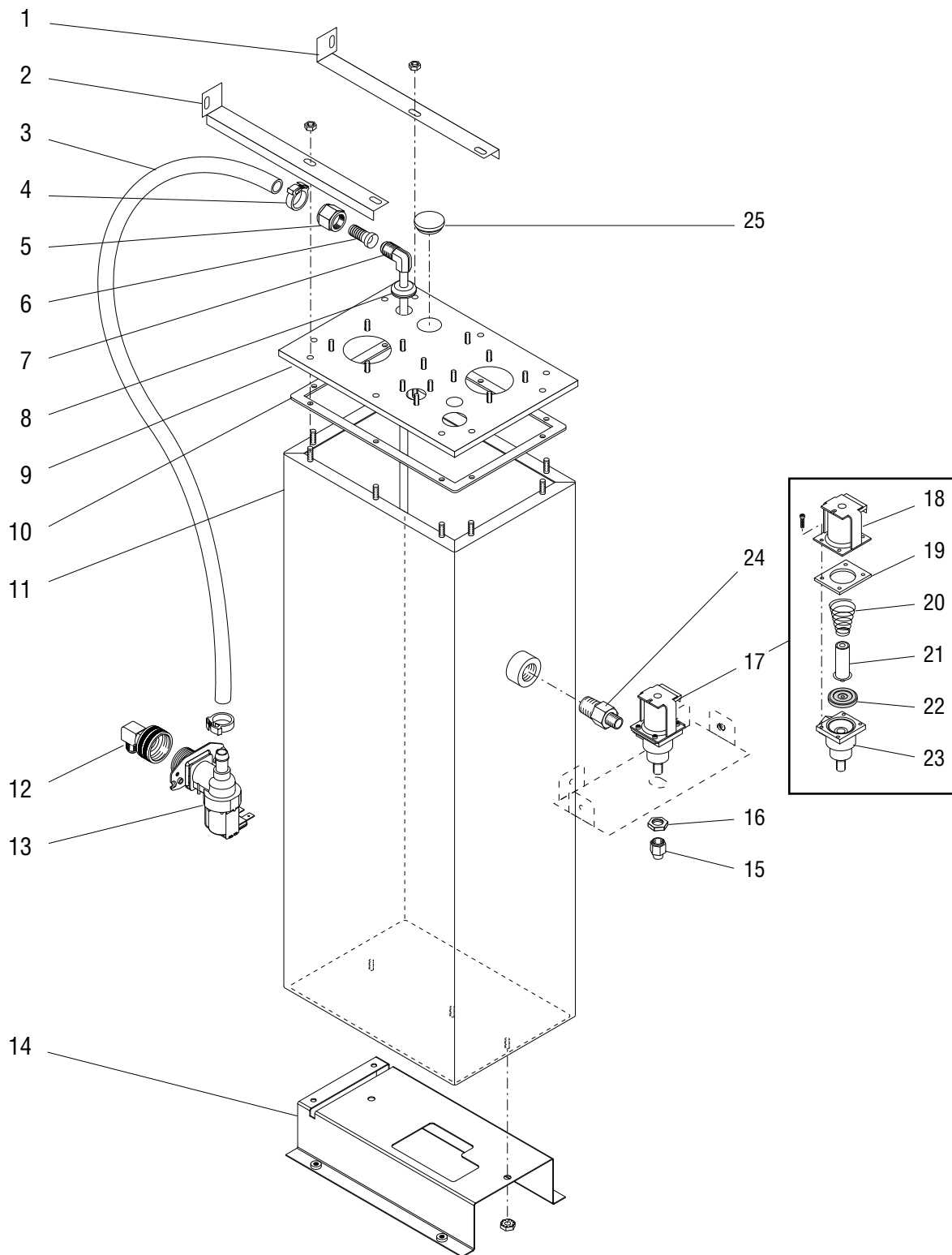
TANK HEATERS & OVERFLOW PROTECTION DEVICES (230 Volt Models)

ITEM	PART NO.	QTY.	DESCRIPTION
1	03236.0010*	1	Tube, Silicone .312" I.D. x 21.50" (Order item 18)
2	12422.0000	1	Clamp, Hose .47"/.54" I.D.
3	22728.0000 00971.0000	1 2	Overflow Cup Assy (Service replacement for both Aluminum and Copper cups) Nut, Keps #10 - 32
4	03803.0002 00946.0000	1 1	Switch Assy, Liquid Level 230V (Includes items 5, 6 & 7) Nut, Hex .125" FPT
5	03633.0000	2	Gasket, Float Switch (Only 1 used in this application)
6	-----	3	Washer, Adjusting (DO NOT USE IN THIS APPLICATION)
7	03807.0000	1	Clip, Spring
8	12398.0000	1	Gasket, Tank Heater
9	12322.1000 00908.0000	1 4	Tank Heater Kit 4000W 230V (Includes item 8) Nut, Hex #8 - 32
10	23717.0003 00971.0000	1 2	Thermostat, Limit Nut, Keps #10 - 32
11	02645.1000	1	Probe Kit, Water Level (Includes items 12, 13, 14 & 15)
12	01501.0000	1	Washer .164" I.D. x .375" O.D.
13	00908.0000	1	Nut, Hex #8 - 32
14	20203.0100	1	Lockwasher, Internal Tooth #8
15	02536.0000	1	Grommet
16	12518.0000 00908.0000	1 3	Tube, Overflow Nut, Hex #8 - 32
17	05515.0000	1	Gasket, Overflow Tube

The following items are not illustrated

18	03236.1001	-	Tube, Silicone .312" I.D. x 36.0"
----	------------	---	-----------------------------------

* Indicates the part number listed is for reference only. See DESCRIPTION for possible service replacement.



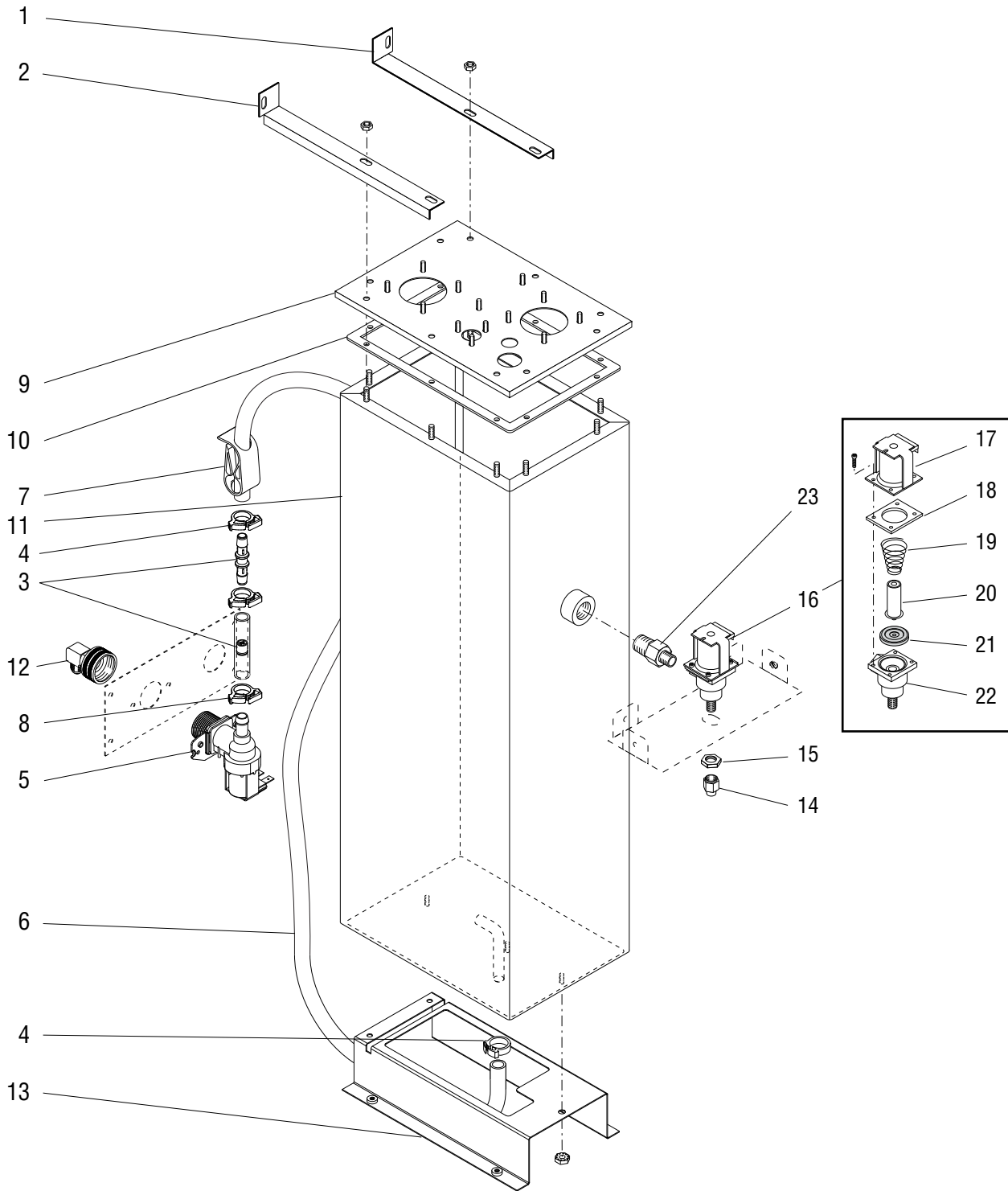
TANK, FILL VALVE & DISPENSE VALVE (Early Models)

ITEM	PART NO.	QTY.	DESCRIPTION
1	28715.0000*	1	Bracket, Tank Supporting (Right)
2	28715.0001*	1	Bracket, Tank Supporting (Left)
3	20976.0074*	1	Tube, Silicone .375" I.D. x 20.0" (Order item 27)
4	12422.0001	2	Clamp, Hose Snap Type .59"/.66"
5	33150.0000	1	Nut, .375" Flare
6	33686.0000	1	Nipple, Barb .375" Tube
7	20937.0005*	1	Tube Assembly, Fill
8	02536.0000	1	Grommet, Silicone .375" I.D.
9	25922.0002*	1	Lid, Tank - Flanged
	00906.0000	10	Nut #6 - 32
10	12377.0000	1	Gasket, Tank lid
11	25920.0001*	1	Tank - Flanged bottom
12	37297.1006	1	Elbow, .25" Flare x .75" FTHD
13	40506.0016	1	Valve Assy, Inlet 120V
	40506.0015	1	Valve Assy, Inlet 240V
	40506.0017	1	Valve Assy, Inlet 230V CE
	32283.0000	2	Screw Pan Head M4 x 6MM
14	12514.0006	1	Bracket, Tank Mounting
	01315.0000	4	Screw, Truss Head #8-32 x .38"
15	00924.0000	1	Nut, Flare Chrome Plated .25"
16	01075.0000	1	Nut, .438"-20
17	26846.0000	2	Valve Assy, Sprayhead (Includes items 18 thru 23)
18	22305.0000	1	Coil Assy, Dispensing Valve
	23254.0000	4	Screw, #8 - 32
19	23256.0000	1	Spacer Plate
20	-----	1	Spring (Not available order item 26)
21	-----	1	Plunger (Not available order item 26)
22	23255.0000	1	Diaphragm
23	-----	1	Body (Not available order item 17)
24	39222.0000	1	Fitting, .5" NPTF x .25" NPTF
25	12570.0002	1	Grommet, Plug

The following items are not illustrated

26	11517.0008	-	Repair Kit, Dispense Valve (Includes one each of spring, plunger and diaphragm)
27	20976.1001	-	Tube, .375" ID x 3' (Use as required)
	20976.1002	-	Tube, .375" ID x 10' (Use as required)
	20976.1004	-	Tube, .375" ID x 250' (Use as required)

* Indicates the part number listed is for reference only. See DESCRIPTION for possible service replacement.



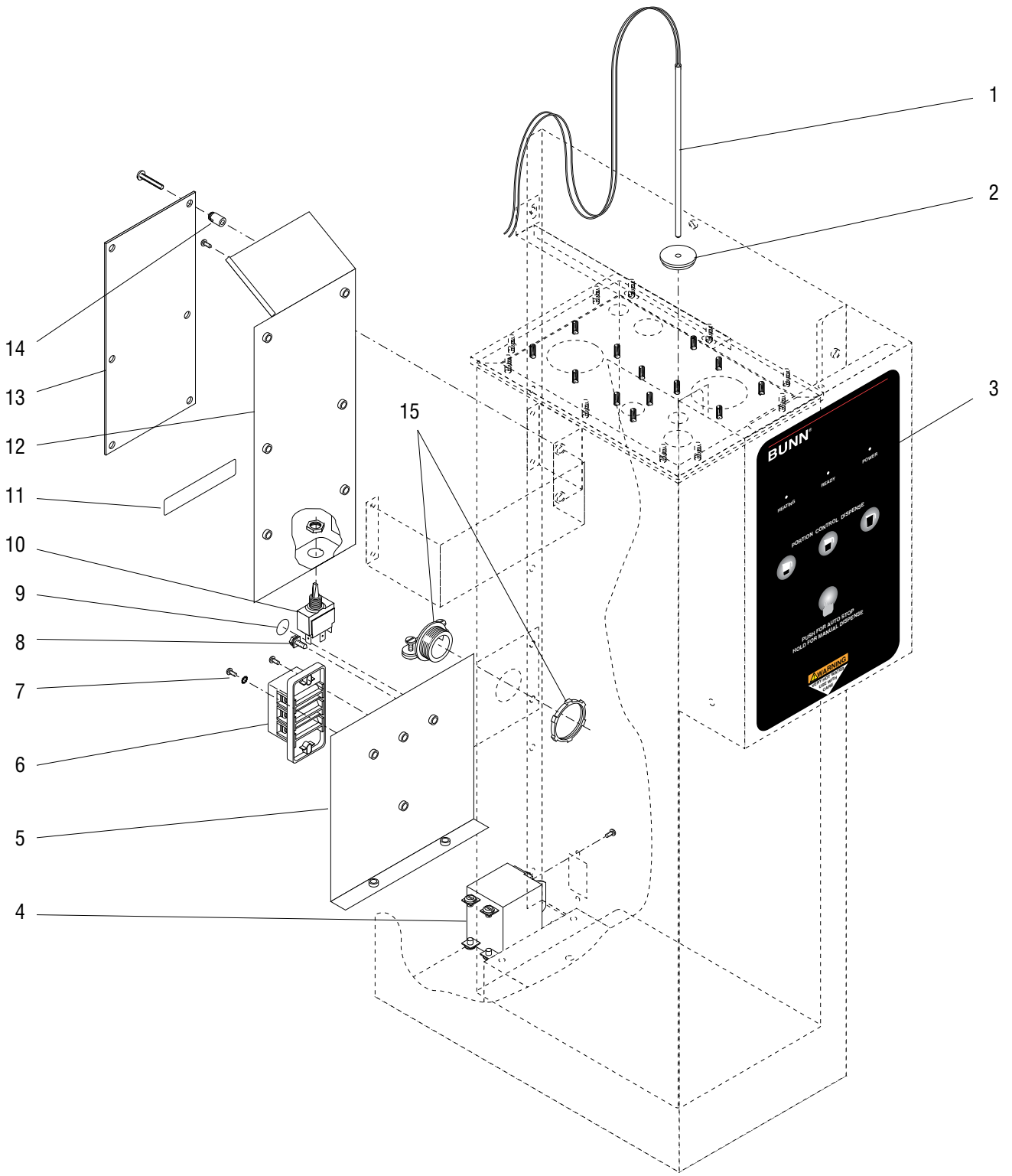
TANK, FILL VALVE & DISPENSE VALVE (Late Models)

ITEM	PART NO.	QTY.	DESCRIPTION
1	28715.0000*	1	Bracket, Tank Supporting (Right)
2	28715.0001*	1	Bracket, Tank Supporting (Left)
3	41716.1004 36378.0001	1 1	Tube Assembly w/Check Valve .375" I.D. x 16.0" Check Valve
4	12422.0001	2	Clamp, Hose Snap Type .59"/.66"
5	40506.0016 40506.0015 40506.0017 32283.0000	1 1 1 2	Valve Assy, Inlet 120V Valve Assy, Inlet 240V Valve Assy, Inlet 230V CE Screw, Pan Head M4 x 6mm
6	20976.0079*	1	Tube, Silicone .375" ID X 38" LG
7	11630.0001	1	Clamp, Shut Off
8	12422.0005	1	Clamp, SNP-12
9	25922.0004 25922.0003 00906.0000	1 1 10	Lid, Tank - (DV) Lid, Tank - 230V Models Nut #6 - 32
10	12377.0000	1	Gasket, Tank lid
11	25920.0010	1	Tank - Flanged bottom
12	37297.1006	1	Elbow, .25" Flare x .75" FTHD
13	12514.0005 01315.0000	1 4	Bracket, Tank Mounting Screw, Truss Head #8-32 x .38"
14	00924.0000	1	Nut, Flare Chrome Plated .25"
15	01075.0000	1	Nut, .438"-20
16	26846.0000 26846.0002	1 1	Valve Assy, Valve Assy,
17	22305.0000 22305.0002 23254.0000	1 1 4	Coil Assy, 120V Coil Assy, 230V Screw, #8 - 32
18	23256.0000	1	Spacer Plate
19	-----	1	Spring (Not available order item 24)
20	-----	1	Plunger (Not available order item 24)
21	23255.0000	1	Diaphragm
22	-----	1	Body (Not available order item 16)
23	39222.0000	1	Fitting, .5" NPTF x .25" NPTF

The following items are not illustrated

24	11517.0008	-	Repair Kit, Dispense Valve (Includes one each of spring, plunger and diaphragm)
25	20976.1001	-	Tube, .375" ID x 3' (Use as required)
	20976.1002	-	Tube, .375" ID x 10' (Use as required)
	20976.1004	-	Tube, .375" ID x 250' (Use as required)

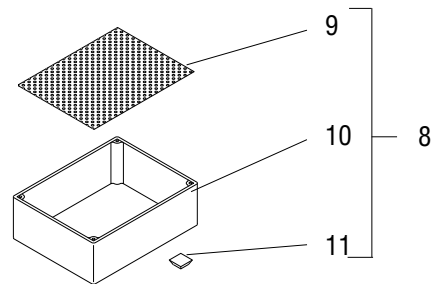
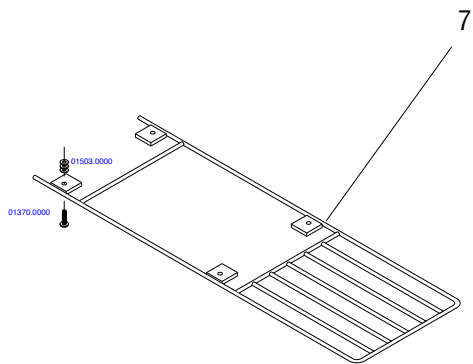
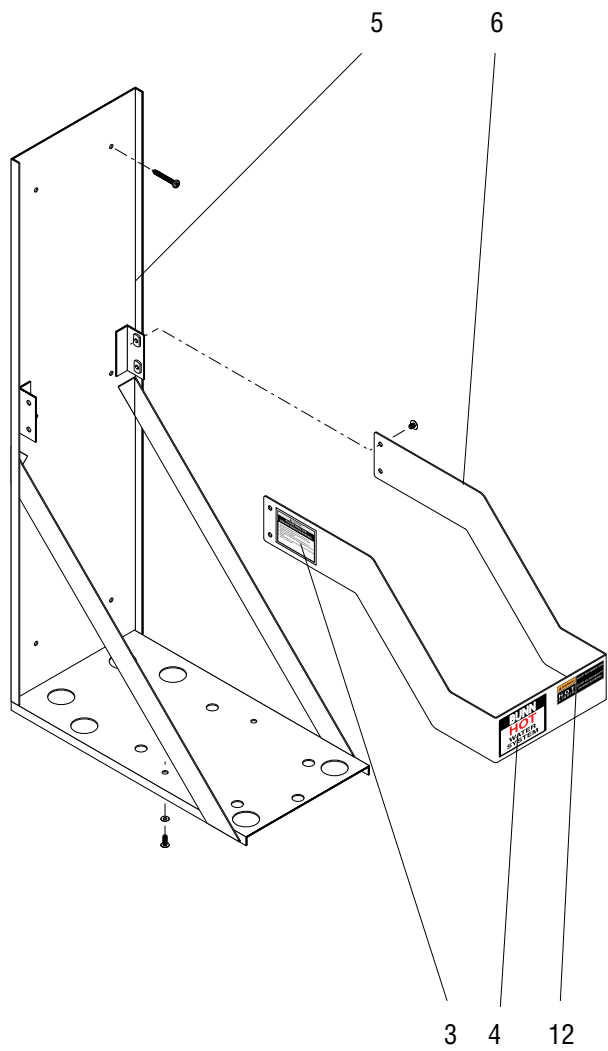
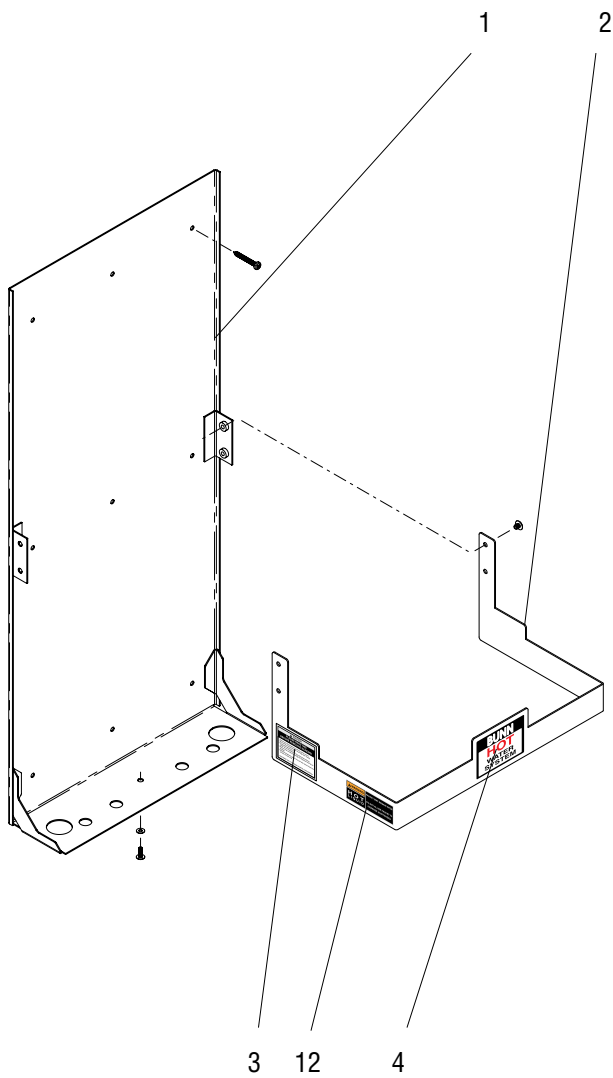
* Indicates the part number listed is for reference only. See DESCRIPTION for possible service replacement.



ELECTRICAL CONTROLS

ITEM	PART NO.	QTY.	DESCRIPTION
1	12568.0007	1	Sensor, Temperature
2	12570.0000	1	Grommet, Thermostat
3	39168.0000	1	Membrane Switch
	01503.0000	1	Washer, .25" I.D.
	00970.0000	1	Nut, Keps #8-32
4	38894.0001	1	Switch, Main Power
	01308.0002	2	Screw, Truss Head #6-32 x .25" Lkg
	01327.0000	4	Screw, Pan Head #10-32 x .375"
	01512.0000	4	Lockwasher, Ext T #10
5	12512.0005	1	Bracket, Component Mounting DV
	12512.0004	1	Bracket, Component Mounting 230V
	01315.0000	2	Screw, Truss Head #8-32 x .375"
6	07038.0000	1	Terminal Block, 3 Pole DV
	01106.0000	1	Terminal Block, 2 Pole 230V
	01317.0000	2	Screw, Truss Head #8 - 32 x .50"
7	01327.0000	1	Screw, Ground Pan Head #10-32 x .375"
	01512.0000	1	Lockwasher, Ext T #10
8	01309.0000	1	Ground Screw W/Terminal Washer #10 - 32 x .50" (Early Models)
	37804.0000	1	Ground Screw W/Terminal Washer #8 - 32 x .50" (Late Models)
9	00824.0000	1	Decal, Ground
10	23522.1001	1	Switch, Toggle (Includes Mounting Nut)
11	34056.0000	1	Decal, Switch DV
12	39217.0000	1	Bracket, Control Board Mounting
	02308.0000	2	Screw, Pan Head #8 - 32 x .375"
13	40697.1000	1	Control Board, Digital 120V & 240V
	40697.1001	1	Control Board, Digital 230V CE
	01388.0000	6	Screw, Truss Head #6-32 x .75"
14	29081.0000	6	Spacer, Control Board
15	01590.0000	1	Connector, Cable .75" NPS DV
	32833.1000	1	Strain Relief 230V
The following items are not illustrated			
16	39357.0000	1	Wiring Harness, Membrane Switch to Control Board
17	12576.0003	1	Wiring Harness, Main DV (Float Switch w/Wire Nuts)
	12576.0012	1	Wiring Harness, Main DV (Float Switch w/Spade Terminals)
	12576.0006	1	Wiring Harness, Main 230V
18	38920.0000	1	Wiring harness, Switch to Terminal Block DV
19	29446.0000	1	EMI Filter 230V
	01311.0000	2	Screw
20	27705.0000	1	Terminal Lug 230V
	01512.0000	1	Lockwasher
	23531.0000	1	Screw
21	01638.0000	1	Cord, Power 12/3 SJO-NEMA 5-20P (Models w/Factory Installed 20 A Cord Only)

* Indicates the part number listed is for reference only. See DESCRIPTION for possible service replacement.



WALL BRACKETS, DRIP TRAY & WIRE SHELF

ITEM	PART NO.	QTY.	DESCRIPTION
1	-----	1	Wall Bracket, Side Mounting (See Sales Manual for Wall Bracket Kit)
	02334.0000	6	Screw, Pan Head Phillips #10 x 1.50"
	01501.0000	1	Washer .164" I.D. x .375" O.D.
	01317.0000	1	Screw, Truss-hd #8-32 x .50"
2	12549.1001	1	Support Strap W/Decals (Includes items 3, 4 & 12)
	01326.0000	4	Screw, Truss Head #10 - 32 x .25"
3	12556.0000	2	Decal, Caution Dispenser Removal
4	00657.0002	1	Decal, Bunn Hot Water
5	-----	1	Wall Bracket, Front Mounting (See Sales Manual for Wall Bracket Kit)
	02334.0000	6	Screw, Pan Head Phillips #10 x 1.50"
	01501.0000	2	Washer .164" I.D. x .375" O.D.
	01317.0000	2	Screw, Truss-hd #8-32 x .50"
6	13127.1001	1	Support Strap W/Decals (Includes items 3, 4 & 12)
	01326.0000	4	Screw, Truss Head #10 - 32 x .25"
7	12599.0000	1	Wire Shelf Kit (Includes mounting hardware)
	01503.0000	12	Washer, Flat .25" I.D. x .56" O.D. (Use as required)
	01370.0000	4	Screw, Pan Head #8 - 32 x .75"
8	02497.0000	1	Drip Tray Assy (Includes items 9 thru 11)
9	02546.0000	1	Cover, Drip Tray
10	02545.0000	1	Drip Tray
11	02547.0000	4	Foot, Rubber
12	12538.0000	1	Decal, Caution - Hot Liquid

* Indicates the part number listed is for reference only. See DESCRIPTION for possible service replacement.

NUMERICAL INDEX

PART NO.	PAGE NO.	PART NO.	PAGE NO.	PART NO.	PAGE NO.	PART NO.	PAGE NO.
00656.0001	5	12422.0005	13	27705.0000	15		
00657.0002	17	12503.1005	5	28715.0000	11,13		
00731.0000	5	12503.1008	5	28715.0001	11,13		
00824.0000	15	12505.1002	5	29081.0000	15		
00831.0000	5	12506.1001	5	29446.0000	15		
00906.0000	7,11,13	12507.0001	5	29710.0017	5		
00908.0000	7,9	12508.1001	5	29710.0018	5		
00917.0000	5	12509.0000	5	32283.0000	11,13		
00924.0000	11,13	12512.0004	15	32833.1000	15		
00946.0000	7	12512.0005	15	33150.0000	11		
00970.0000	5,15	12514.0005	13	33686.0000	11		
00971.0000	7	12514.0006	11	34056.0000	15		
01075.0000	11,13	12518.0000	7,9	36378.0001	13		
01106.0000	15	12524.1000	7	37297.1006	11,13		
01303.0000	5	12538.0000	17	37804.0000	15		
01308.0002	15	12542.0000	17	37881.0000	5		
01309.0000	15	12544.0000	17	38114.0000	7		
01311.0000	5,15	12549.1001	17	38278.0005	5		
01315.0000	5,13,15	12551.0000	7	38278.1002	5		
01317.0000	15,17	12556.0000	17	38894.0001	15		
01326.0000	17	12568.0007	15	38920.0000	15		
01327.0000	15	12570.0000	15	39146.0000	5		
01370.0000	17	12570.0002	11	39148.0000	5		
01382.0000	7	12576.0003	15	39168.0000	15		
01388.0000	7,15	12576.0006	15	39217.0000	15		
01390.0000	5	12576.0012	15	39222.0000	11,13		
01501.0000	7,9,17	12585.0000	7	39333.0000	5		
01503.0000	15,17	12586.0000	7	39333.0001	5		
01512.0000	15	12593.0000	5	39357.0000	15		
01520.0000	7	12599.0000	17	40506.0016	11,13		
01590.0000	15	13125.0001	17	40506.0017	11,13		
01638.0000	15	13126.0000	17	40697.1000	15		
02308.0000	15	13127.1001	17	40697.1001	15		
02334.0000	17	20203.0100	7,9	41716.1004	13		
02370.0001	7	20937.0005	11	41760.0000	7		
02370.0002	7	20976.0074	11				
02497.0000	17	20976.0079	13				
02536.0000	9,11	20976.1001	11,13				
02545.0000	17	20976.1002	11,13				
02546.0000	17	20976.1004	11,13				
02547.0000	17	22305.0000	11,13				
02645.1000	7,9	22305.0002	13				
03236.0010	7,9	22728.0000	7,9				
03236.1001	7,9	23254.0000	11,13				
03633.0000	7,9	23255.0000	11,13				
03803.0001	7	23256.0000	11,13				
03803.0002	7,9	23522.1001	15				
03807.0000	7,9	23531.0000	15				
05515.0000	7,9	23717.0003	7,9				
07038.0000	15	25920.0001	11				
11517.0008	11,13	25920.0010	13				
11630.0001	13	25922.0002	11				
12322.1000	7,9	25922.0003	13				
12377.0000	11,13	25922.0004	13				
12398.0000	7,9	26846.0000	11,13				
12422.0001	11,13	26846.0002	13				