



## ILLUSTRATED PARTS CATALOG

Designs, materials, weights, specifications, and dimensions for equipment or replacement parts are subject to change without notice.

### **Bunn-O-Matic Corporation**

Post Office Box 3227, Springfield, Illinois 62708-3227

Phone (217) 529-6601 | Fax (217) 529-6644

Technical Support Phone (800) 420-2866

## BUNN-O-MATIC COMMERCIAL PRODUCT WARRANTY

Bunn-O-Matic Corp. ("BUNN") warrants the BUNN Fast Cup® as further described below for a warranty period of 1 year parts and labor.

These warranty periods run from the date of installation. BUNN warrants that the equipment manufactured by it will be commercially free of defects in material and workmanship existing at the time of manufacture and appearing within the applicable warranty period. This warranty does not apply to any equipment, component or part that was not manufactured by BUNN or that, in BUNN's judgment, has been affected by misuse, neglect, alteration, improper installation or operation, improper maintenance or repair, non periodic cleaning and descaling, equipment failures related to poor water quality, damage or casualty. This warranty is conditioned on the Buyer 1) giving BUNN prompt notice of any claim to be made under this warranty by telephone at (217) 529-6601 or by writing to Post Office Box 3227, Springfield, Illinois 62708-3227; 2) if requested by BUNN, shipping the defective equipment prepaid to an authorized BUNN service location; and 3) receiving prior authorization from BUNN that the defective equipment is under warranty. Additionally, the following is excluded from the warranty period:

### Warranty Exclusions:

- Parts such as, but not limited to, hoppers and lids, drip trays, touch screens (fail due to damage), hinges and plastic parts damaged due to improper handling or cleaning agents.
- Replacement of wear items such as, but not limited to, O-rings, gaskets, filter screens, silicone tubes, hoses, and valve seats.
- Repairs made necessary due to poor water quality such as dispense valves, water inlet valves, scaling in hot water boilers (Carbonate Hardness range of 40 - 140 ppm constant).
- Improper voltage, (See equipment operations manual for voltage specifications).
- Failure to use BUNN approved cleaning supplies constitutes improper maintenance.
- Failure to have required preventive maintenance performed by a BUNN technician or authorized Fast Cup service provider.
- Parts replaced under the terms of this warranty carry the remainder of the machine's parts warranty term, or 90 days, whichever is greater.

**THE FOREGOING WARRANTY IS EXCLUSIVE AND IS IN LIEU OF ANY OTHER WARRANTY, WRITTEN OR ORAL, EXPRESS OR IMPLIED, INCLUDING, BUT NOT LIMITED TO, ANY IMPLIED WARRANTY OF EITHER MERCHANTABILITY OR FITNESS FOR A PARTICULAR PURPOSE.**

The agents, dealers or employees of BUNN are not authorized to make modifications to this warranty or to make additional warranties that are binding on BUNN. Accordingly, statements by such individuals, whether oral or written, do not constitute warranties and should not be relied upon.

If BUNN determines in its sole discretion that the equipment does not conform to the warranty, BUNN, at its exclusive option while the equipment is under warranty, shall either 1) provide at no charge replacement parts and/or labor (during the applicable parts and labor warranty periods specified above) to repair the defective components, provided that this repair is done by a BUNN Authorized Service Representative; or 2) shall replace the equipment or refund the purchase price for the equipment.

**THE BUYER'S REMEDY AGAINST BUNN FOR THE BREACH OF ANY OBLIGATION ARISING OUT OF THE SALE OF THIS EQUIPMENT, WHETHER DERIVED FROM WARRANTY OR OTHERWISE, SHALL BE LIMITED, AT BUNN'S SOLE OPTION AS SPECIFIED HEREIN, TO REPAIR, REPLACEMENT OR REFUND.**

In no event shall BUNN be liable for any other damage or loss, including, but not limited to, lost profits, lost sales, loss of use of equipment, claims of Buyer's customers, cost of capital, cost of down time, cost of substitute equipment, facilities or services, or any other special, incidental or consequential damages.

# TABLE OF CONTENTS

Warranty .....	2
General Assemblies	
Lower Front .....	4
Hoppers and Externals .....	6
Hopper Assembly .....	8
Right and Back Panels.....	10
Housing Top Cover Assembly .....	12
Upper Door Assembly.....	14
Lower Door Assembly.....	20
Grinders	
Bracket .....	22
Assembly Including Collar.....	26
Brew Module Rebuild Kit (Generation 2).....	28
Brew Module Kits (Generation 3).....	30
Puck Ejector Assembly .....	32
Upper Piston Assembly.....	34
Brew Chamber Plumbing Assembly .....	36
Valve Panel Assembly .....	38
Inlet Tube to Fill Valve.....	40
Upper Plumbing Assembly .....	42
Drain Manifold .....	44
Lower Plumbing Assembly .....	46
Valve Cluster Plumbing Assembly .....	48
Chiller and Valve Plumbing Assembly .....	50
Supply Line Tube Assembly.....	52
Valve Panel Nomenclature.....	54
Chiller Valve Panel Nomenclature.....	56
Tank Bracket Assembly .....	58
Chassis Components - 1 .....	62
Chassis Components - 2 .....	70
<b>Fast Cup - Table of Contents - Later Style</b> .....	76
Brew Chamber Plumbing - Generation 3 (later Style).....	78
Brew Module & PM Kits - Generation 3 (Later Style).....	80
Valve Panel Assembly (Later Style).....	86
Valve Panel Nomenclature (Later Style) .....	100
Tank Bracket Assembly (Later Style) .....	102
Chassis Components - 1 (Later Style) .....	106
Chassis Components - 2 (Later Style).....	114

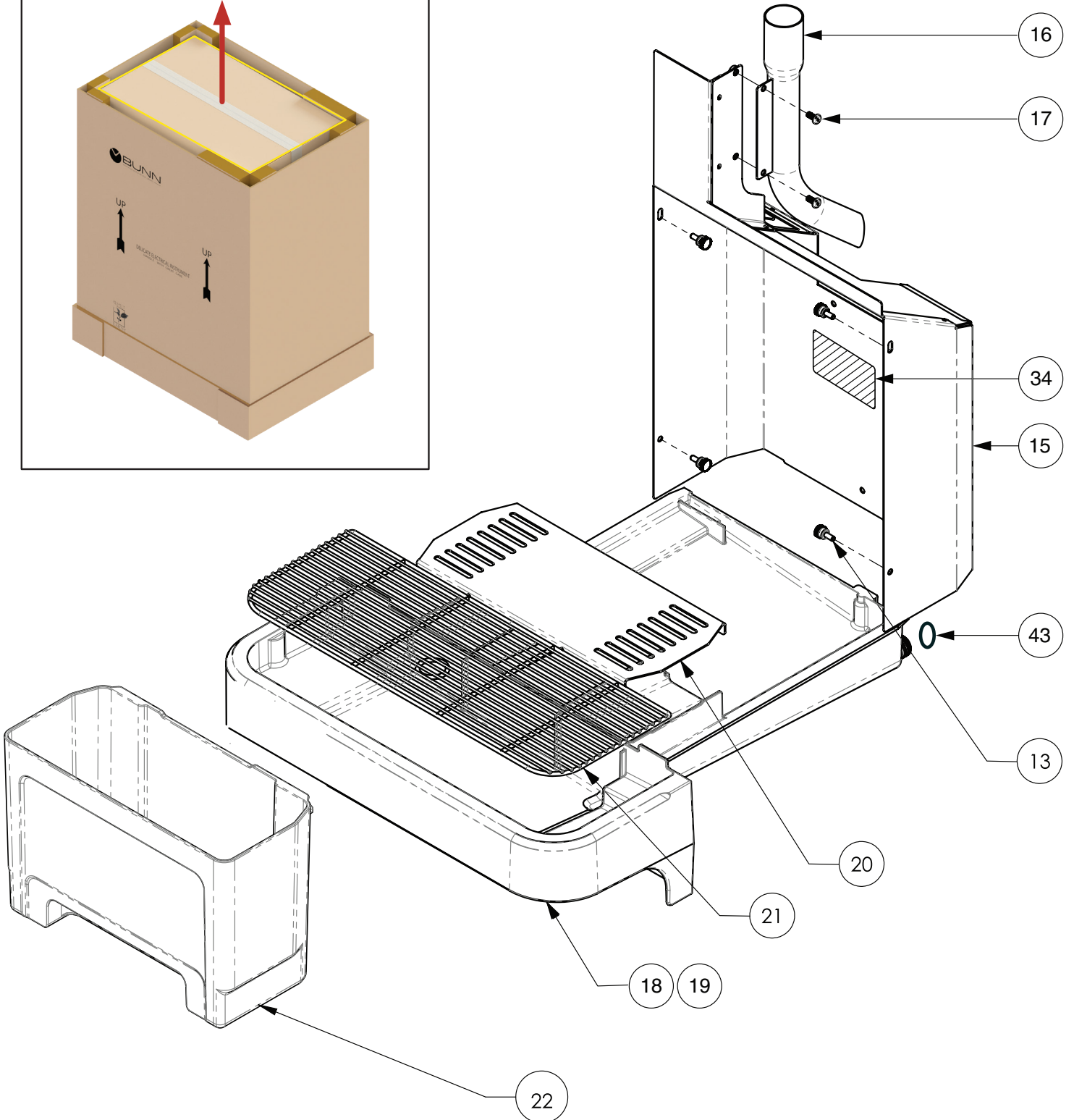
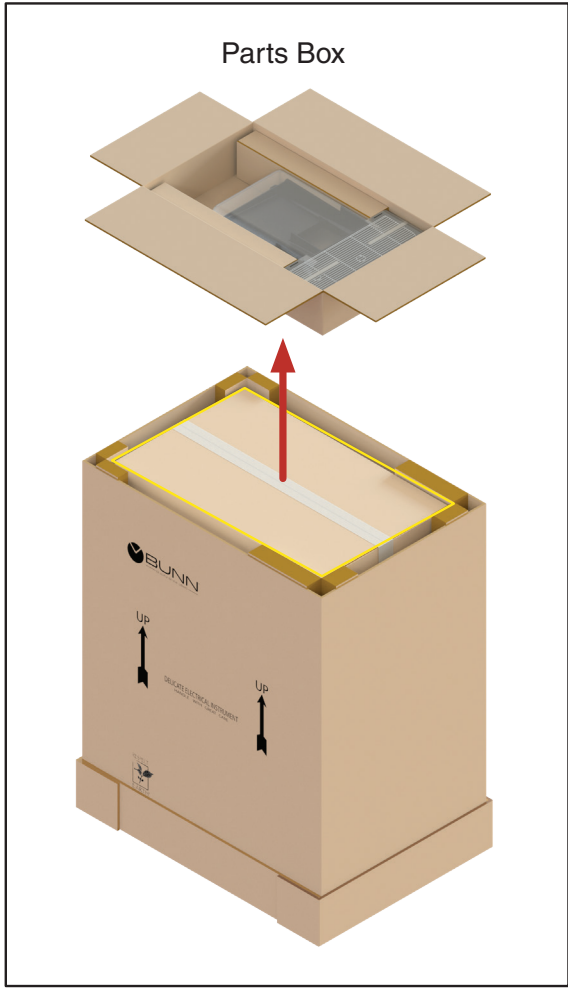
## TIPS:



To **Search/Find** content in this document, use "**Ctrl+F**" (PC)

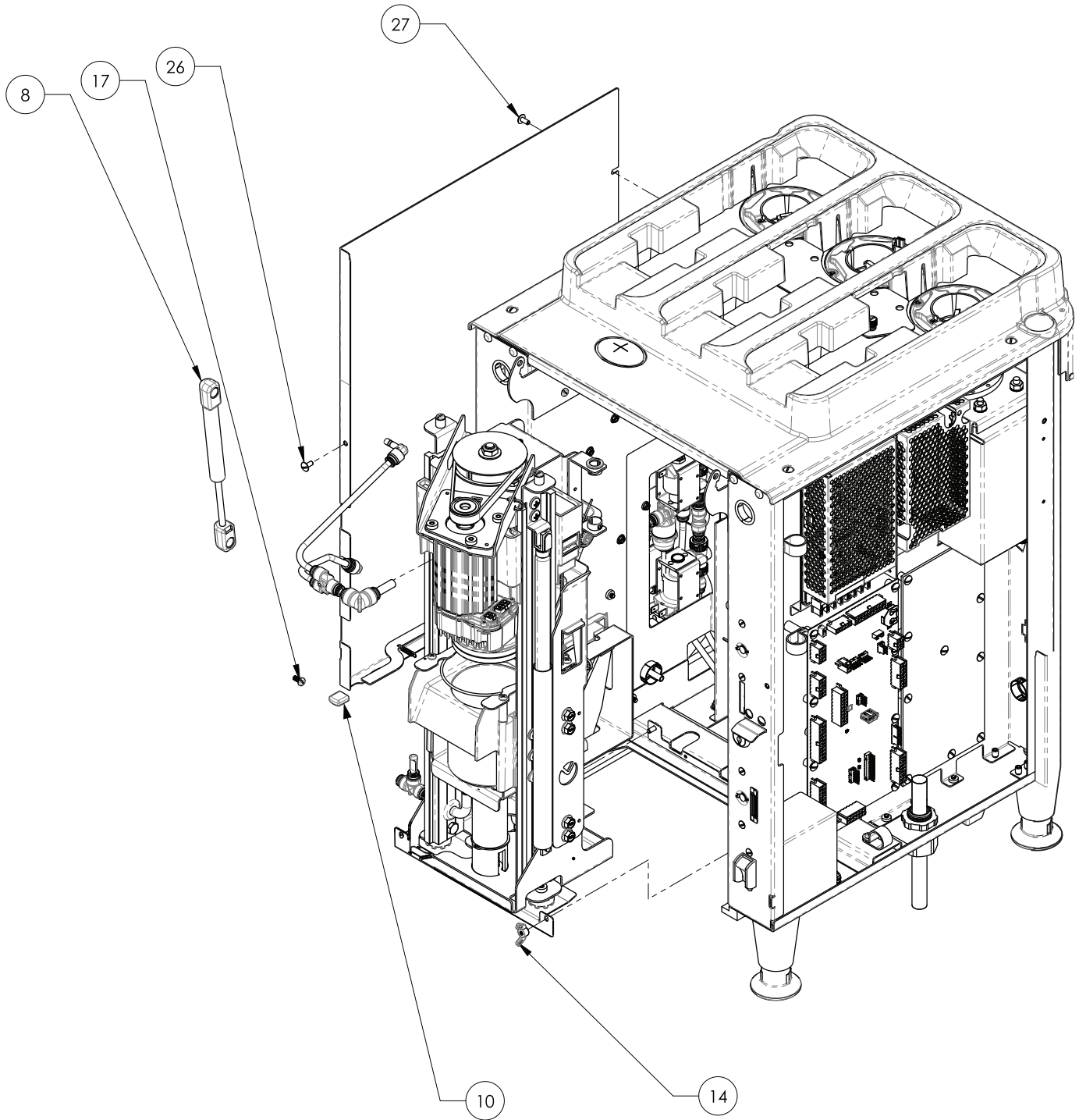


To **Search/Find** content in this document, use "**Command+F**" (Mac)



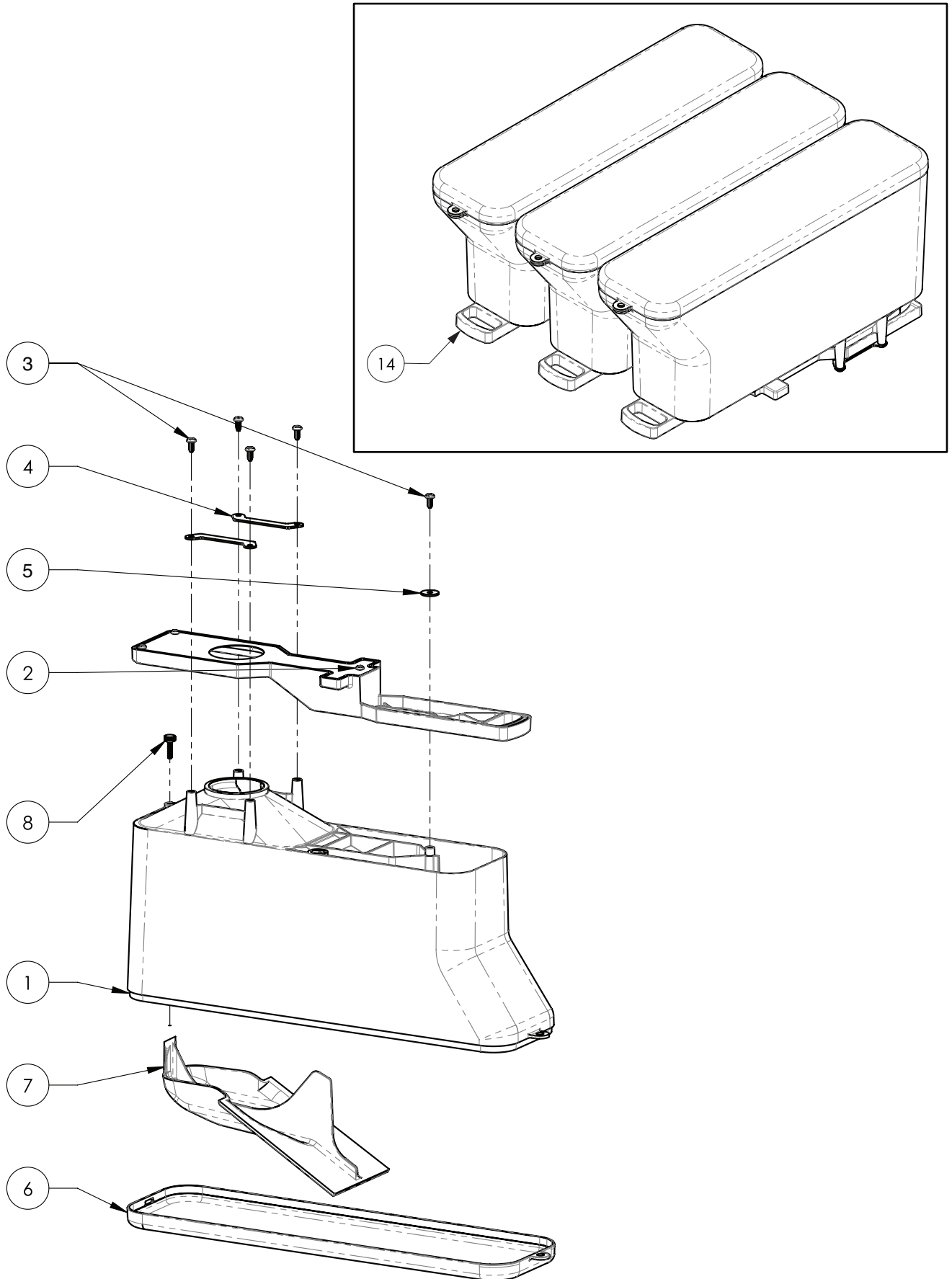
## GENERAL ASSEMBLIES - LOWER FRONT

ITEM	QTY	DESCRIPTION	PART NO.	NOTES
13	4	THUMB SCREW,KNURLED #8-32x.37	<a href="#">22349.0001</a>	
15	1	WLDMT, ACCESS PANEL	55352.1001	w/decals)
16	1	PIPE, TABLET DROP	55831.0000	w/decals)
17	2	SCREW, PNH SLTD W/SERR 8-32X.38	<a href="#">02308.0000</a>	
18	1	TRAY ASSY, DRIP W MAGNET FAST CUP	<a href="#">54933.1020</a>	
19	AR	LUBE, SILICONE HAYNES	44023.1000	Not illustrated
20	1	CHANNEL, DRIP TRAY	<a href="#">55722.0000</a>	
21	1	GRATE, DRIP TRAY	<a href="#">54933.0101</a>	
22	1	BIN ASSY KIT, PUCK W/ MAGNET	55057.1010	
34	1	DECAL, WARNING MOVING PARTS	<a href="#">27442.0000</a>	
43	2	O-RINGS, DRIP TRAY	<a href="#">56269.1000</a>	
	1	CLEANING TABLETS, TABZ CLEANER	<a href="#">39637.0000</a>	Not Illustrated
	1	CLEANING CLOTH	<a href="#">53465.0000</a>	Not Illustrated
	1	BRUSHES	<a href="#">47745.0000</a>	Not Illustrated
	1	KIT, CLEANING TUBE	<a href="#">48236.1001</a>	Not Illustrated
	1	GASKET,.313 IDx.550 OD NYLON	<a href="#">33149.0000</a>	Not Illustrated



## GENERAL ASSEMBLIES - HOPPERS & EXTERNALS

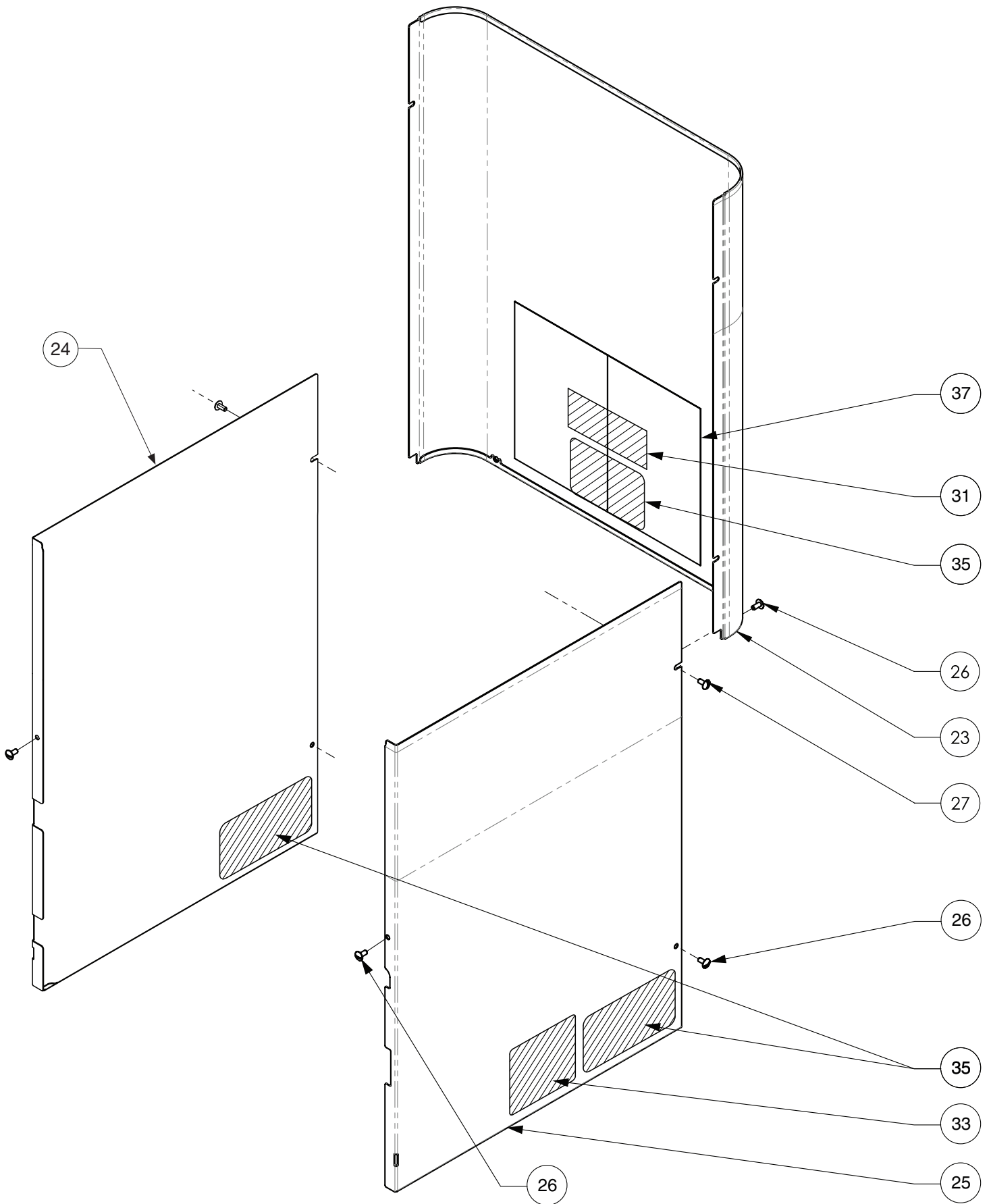
ITEM	QTY	DESCRIPTION	PART NO.	NOTES
	1	PLATE, DOOR PROP	<a href="#">55840.0010</a>	Not Illustrated
8	1	GAS SPRING, UPPER DOOR	<a href="#">57503.0000</a>	
10	1	CAP, HI-TEMP BLK.125x.437x.5LG	<a href="#">12919.0000</a>	
14	2	WING NUT, 8-32 NYLON LOCKING	56731.0000	
17	2	SCREW, PNH SLTD W/SERR #8-32X.38	<a href="#">02308.0000</a>	
26	6	SCREW,TRH SLTD BLK8-32x.38"F	<a href="#">01315.0005</a>	
27	2	SCREW, TRH SLTD SST 8-32x.38	<a href="#">01315.0000</a>	



**Drawing Shown  
Upside Down**

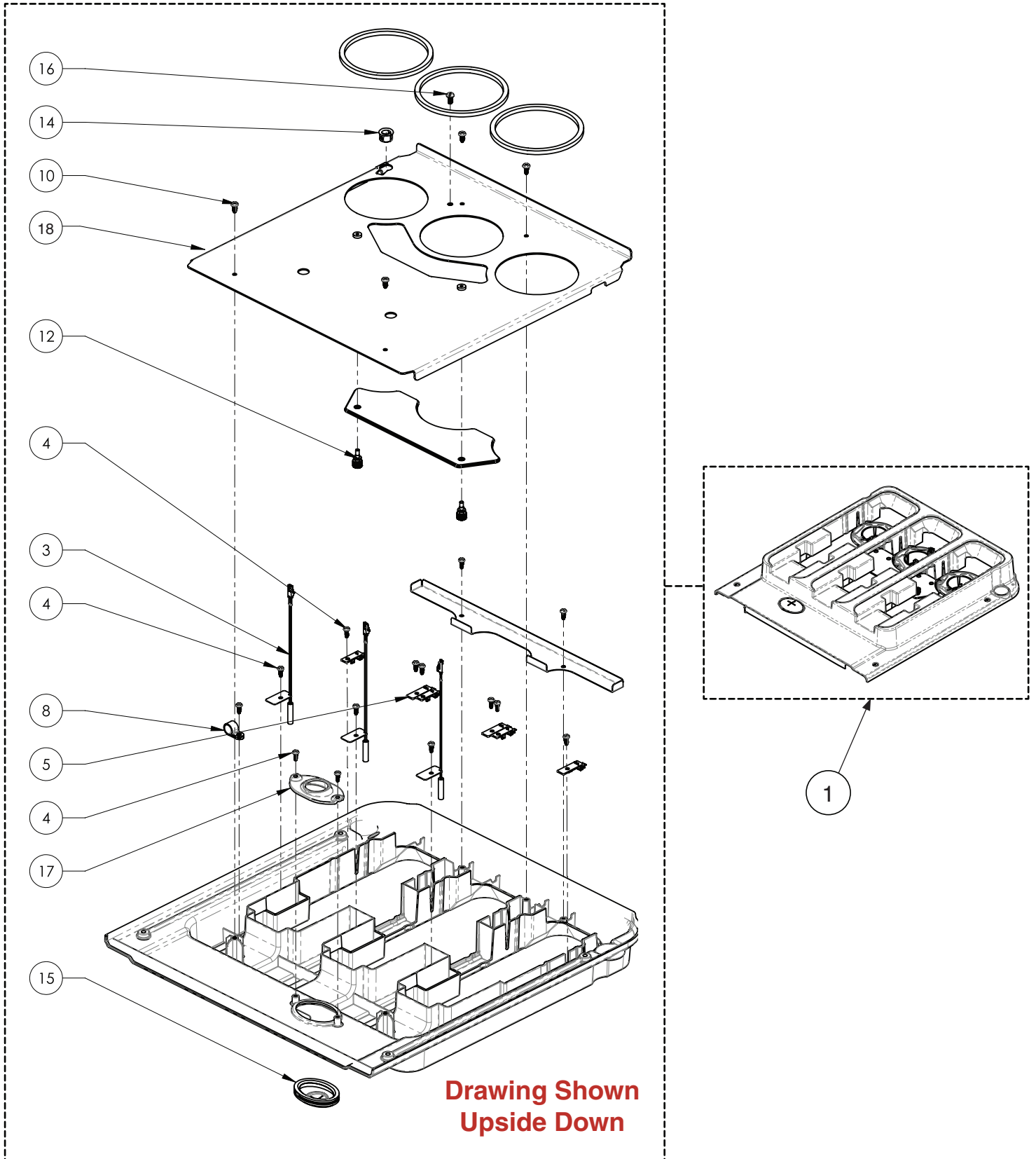
## GENERAL ASSEMBLIES - HOPPER ASSEMBLY

ITEM	QTY	DESCRIPTION	PART NO.	NOTES
6	1	LID, HOPPER 3 LB	<a href="#">55288.0000</a>	
7	1	FINGER GUARD ASSY	<a href="#">56741.0010</a>	
14	3	HOPPER ASSY, 3 LB BEAN	<a href="#">55292.1001</a>	



## GENERAL ASSEMBLIES - RIGHT & BACK PANELS

ITEM	QTY	DESCRIPTION	PART NO.	NOTES
23	1	PANEL, REAR STRIPED BLK	<a href="#">54787.1000</a>	w/decal(s)
	1	PANEL, REAR BLK W/DECALS FC	54787.1102	w/decal(s)
24	1	PANEL, LEFT ACCESS STRIPED BLK	<a href="#">54817.1000</a>	w/decal(s)
	1	PANEL, LEFT BLK W/DECALS FC	54817.1102	w/decal(s)
25	1	PANEL, RIGHT ACCESS STRIPED BLK	<a href="#">54818.1000</a>	w/decal(s)
	1	PANEL, RIGHT BLK W/DECALS FC	54818.1102	w/decal(s)
26	6	SCREW,TRH SLTD BLK8-32x.38"F"	<a href="#">01315.0005</a>	
27	2	SCREW, TRH SLTD SST 8-32x.38	<a href="#">01315.0000</a>	
	1	DECAL, WARNING NO SVCE PARTS (SMALL)	<a href="#">37881.0002</a>	Not Illustrated
31	1	DECAL,COMPLY TO PLUMBING CODE	<a href="#">00656.0001</a>	
33	1	DECAL, WARNING ELECTRICAL	<a href="#">00986.0000</a>	
	1	DECAL, WARNING MOVING PARTS	<a href="#">27442.0000</a>	Not Illustrated
35	3	DECAL, WARNING NO SVCE PARTS	<a href="#">37881.0000</a>	
	1	DECAL, WARNING-HOT LIQUID	<a href="#">35710.0000</a>	Not Illustrated
37	3	SHIELD, INSULATOR (5.0 X 7.31)	<a href="#">25151.0000</a>	

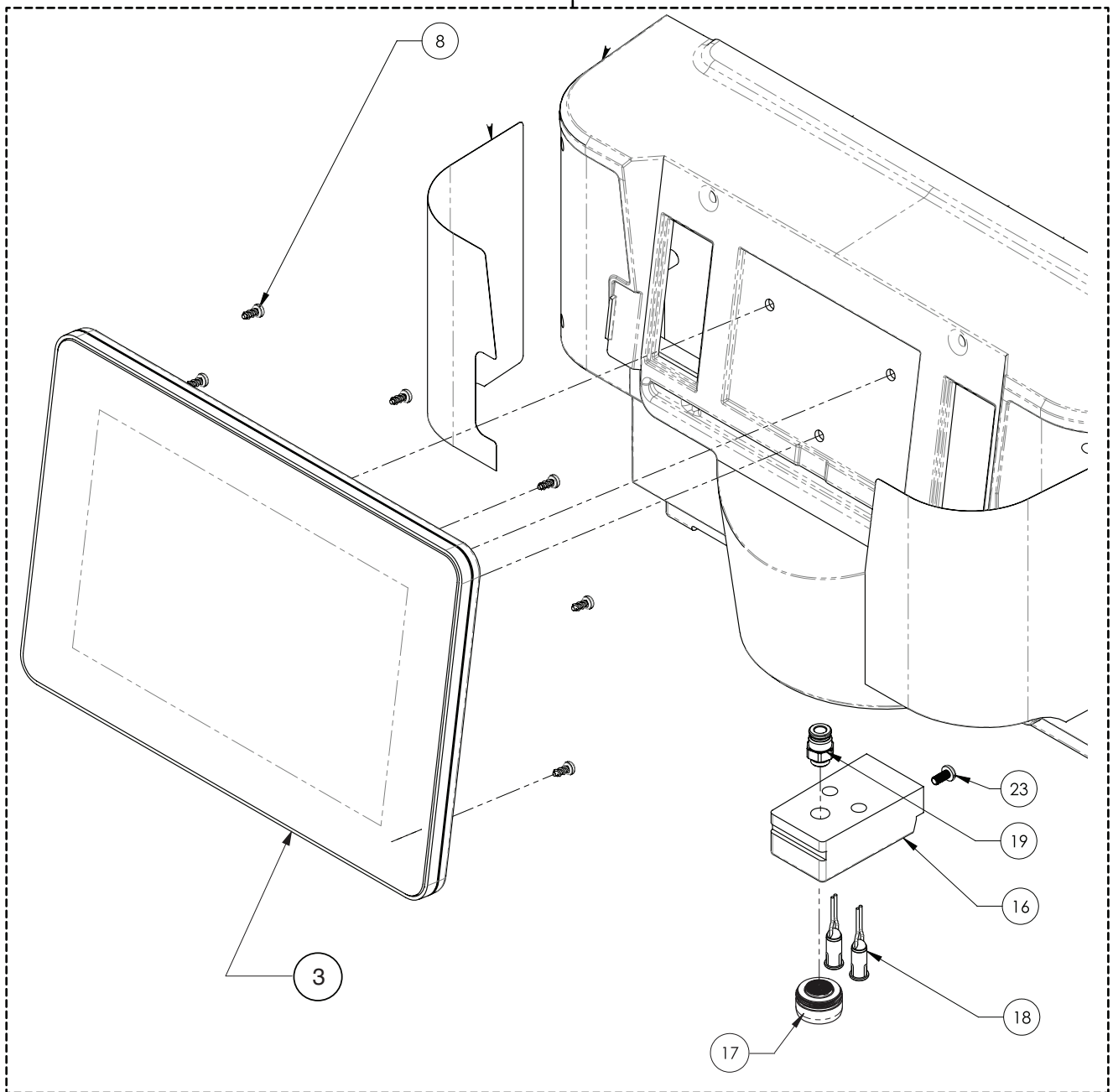
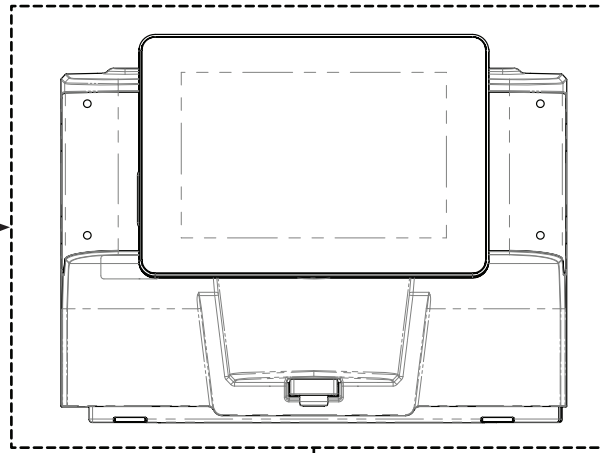


## HOUSING TOP COVER ASSEMBLY

ITEM	QTY	DESCRIPTION	PART NO.	NOTES
1	1	ASSEMBLY, TOP COVER, FAST CUP	55296.1000	
3	3	REED SWITCH ASSY,	49078.0000	
4	14	SCREW, PNH PHH #6-20X.38 LG TYPE 25	44224.0000	
5	3	CBA, BEAN DETECT/EMITTER SET	57454.0000	
8	1	CLAMP, CABLE-NYLON NAT .438ID	00603.0000	
10	4	SCREW, PNH PH#8-18x.38 "25" SST	28629.0000	
12	2	THUMB SCREW,KNURLED 8-32X.375	28062.0000	
14	1	BUSHING, OCB-562 NYL BLK.390ID	00614.0001	
15	1	PLUG, TABLET CHUTE	45551.0001	
16	1	SCREW, PNH SLTD W/SERR #8-32X.38	02308.0000	
17	1	RETAINER, CLEANING TABLET	45552.0003	
18	1	WLDMT, TOP COVER BACKING	55428.0003	
	1	WIRING HARN, HPR & BEAN DETECT	55218.0001	Not illustrated

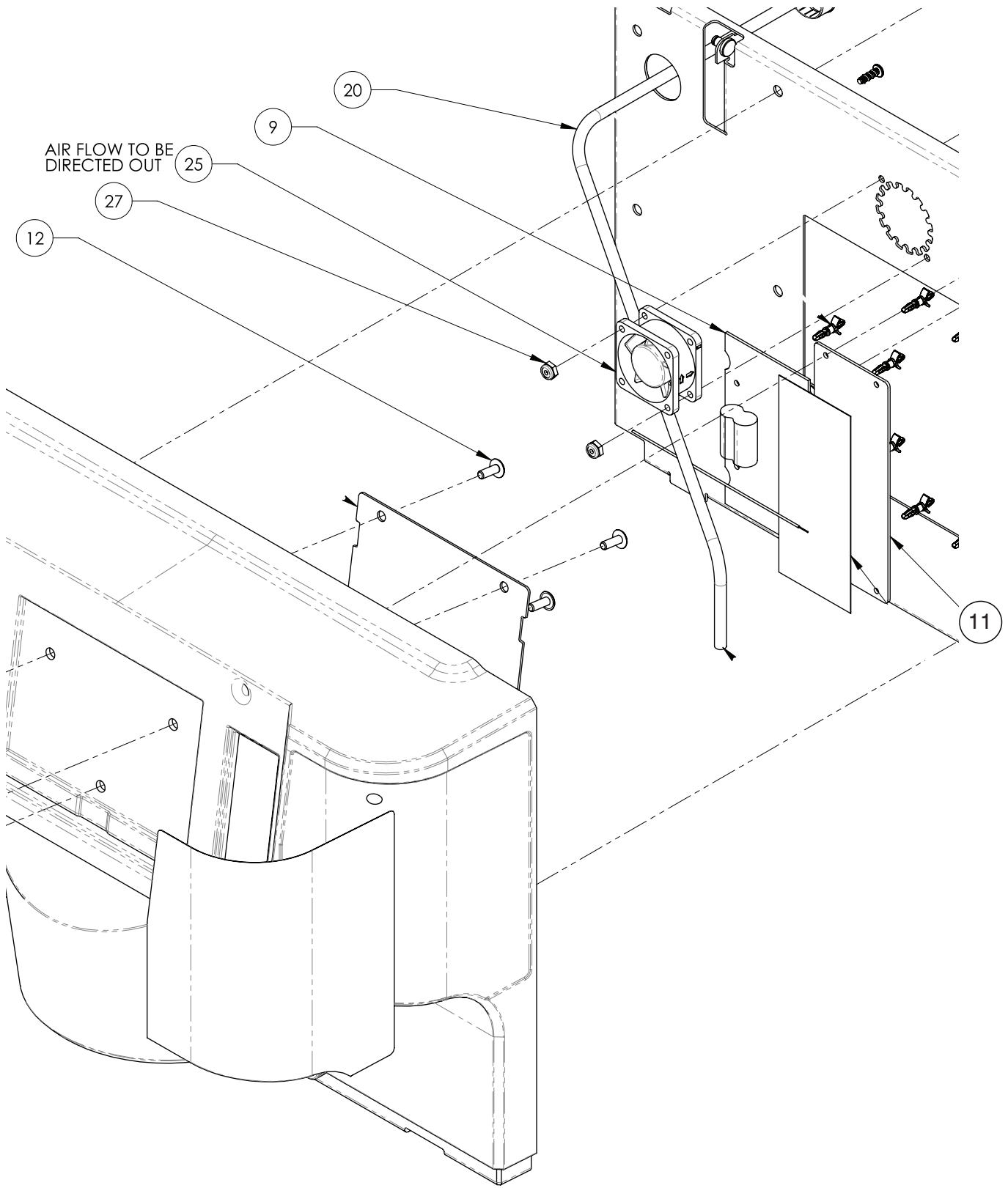


1



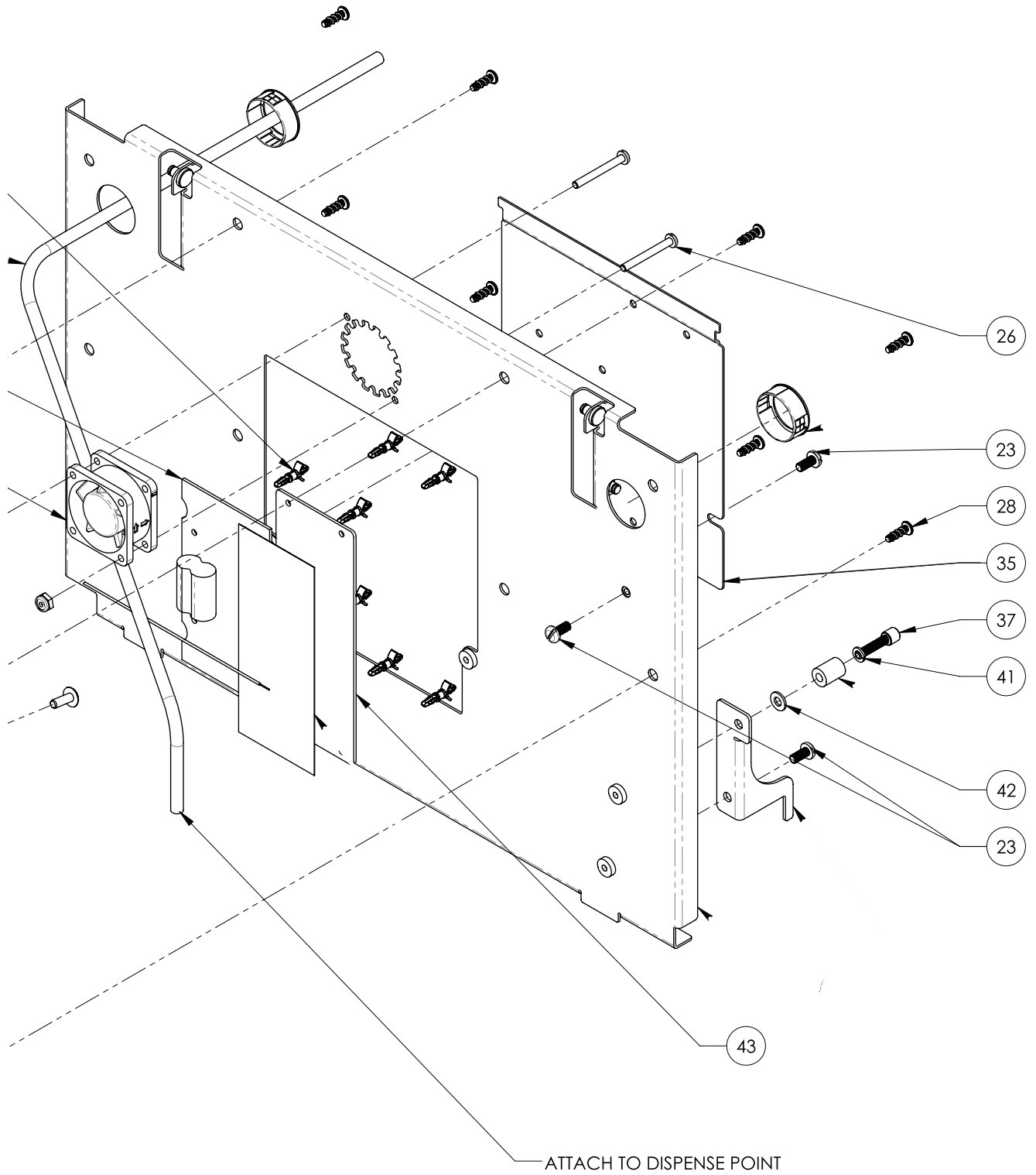
**UPPER DOOR ASSEMBLY (CONTINUED)**

<b>ITEM</b>	<b>QTY</b>	<b>DESCRIPTION</b>	<b>PART NO.</b>	<b>NOTES</b>
1	1	UPPER DOOR ASSY	<a href="#">54931.1000</a>	
3	1	TOUCHSCREEN ASSY, 10 IN FAST CUP	<a href="#">56576.0000</a>	
-	1	CABLE, 90 DEG MICRO USB FAST CUP	56551.0003	Not illustrated
-	1	ADAPTER, MICRO USB 90 DEG LEFT ANGLE	<a href="#">55214.0001</a>	Not illustrated
8	9	SCREW, PNH PHH #8 HI - LO X .38	<a href="#">41103.0000</a>	
16	1	DISPENSE POINT MNT, FAST CUP W/LED	<a href="#">55266.1001</a>	Includes Items: 17,18 &19
		DISPENSE POINT MNT, FAST CUP	<a href="#">55266.1002</a>	Includes Items: 17 & 19
17	1	NOZZLE, LAMINAR FLOW DISPENSE	<a href="#">55664.0000</a>	
18	2	LED ASSY, BLUE WITH TERMINALS	<a href="#">36903.0000</a>	
19	1	FITTING, 6MM	<a href="#">55171.0000</a>	
23	6	SCREW, PNH SLTD W/SERR #8-32X.38	<a href="#">02308.0000</a>	



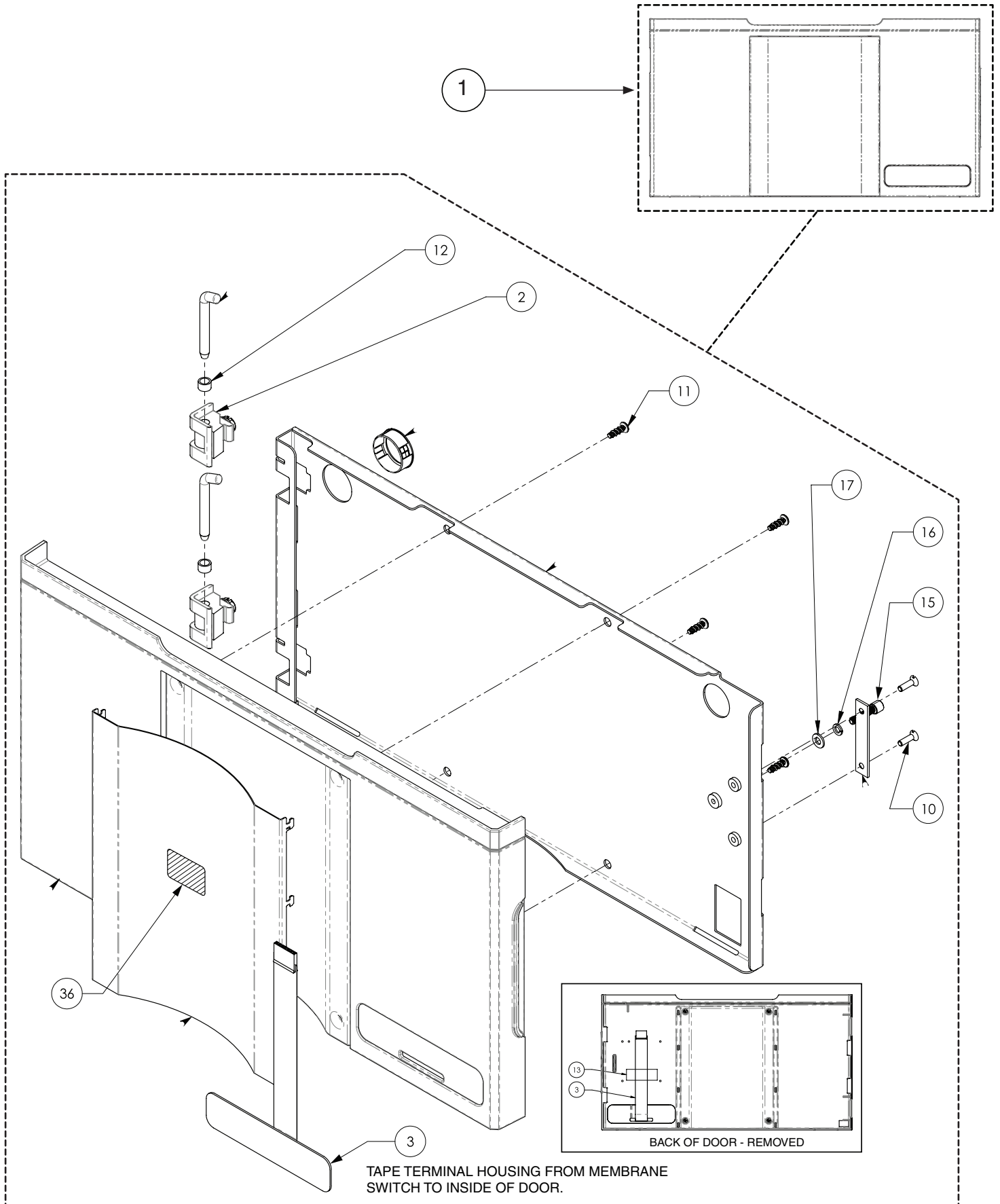
## UPPER DOOR ASSEMBLY (CONTINUED)

ITEM	QTY	DESCRIPTION	PART NO.	NOTES
9	1	CBA, NODE BUNNLINK CELLULAR WIFI	<a href="#">56397.1000</a>	
	1	ANTENNA, BUNNLINK WIFI	<a href="#">48695.0001</a>	Not illustrated
	1	ANTENNA, BUNNLINK LTE U.FL	<a href="#">48695.0002</a>	Not illustrated
11	1	PLATE, BUNNLINK FRONT DOOR	<a href="#">48981.0002</a>	
12	3	SCREW, TRH SLTD SST 8-32x.50	<a href="#">01317.0000</a>	
20	1	TUBE, PVDF 6MM OD X 21.75 LG		Order #44
25	1	FAN ASSY, 24V DC 40MM W/LOCK SIGNAL	<a href="#">56042.0010</a>	
27	2	NUT, ELASTIC LOCK #6-32 SST	<a href="#">00991.0002</a>	
44	1	TUBING, 1 FOOT - 6mm	<a href="#">55176.1000</a>	
	1	TUBING, 3 FOOT - 6mm	<a href="#">55176.1001</a>	
	1	TUBING, 10 FOOT - 6mm	<a href="#">55176.1002</a>	



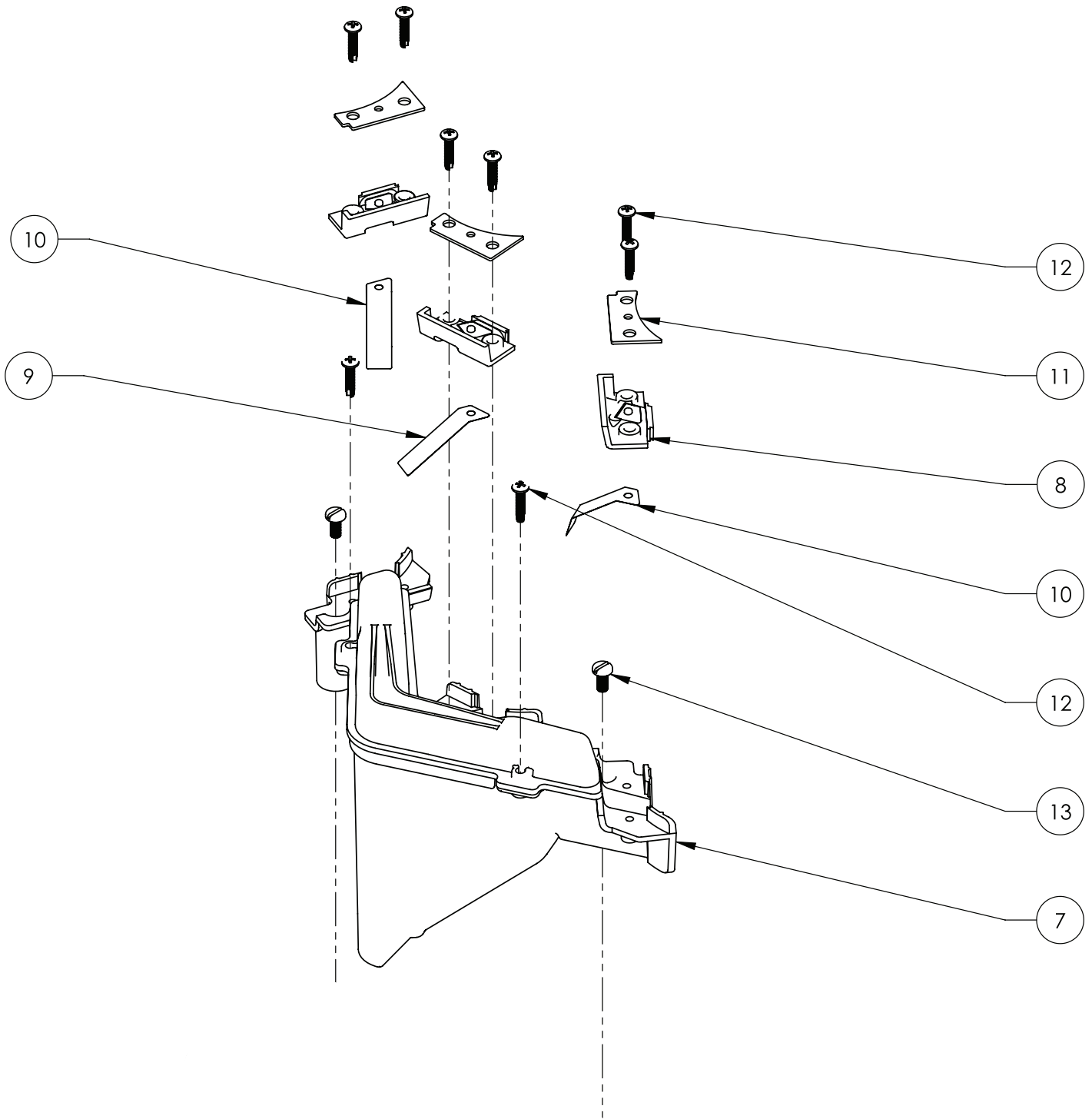
## UPPER DOOR ASSEMBLY

ITEM	QTY	DESCRIPTION	PART NO.	NOTES
23	6	SCREW, PNH SLTD W/SERR #8-32X.38	<a href="#">02308.0000</a>	
26	2	SCREW, PNH SLOTTED SST6-32 x 1.25	<a href="#">02370.0001</a>	
28	8	SCREW, PNH PHH 2-LEAD #8-18X.50	<a href="#">44010.0000</a>	
35	1	BRACKET, DOOR ACCESS	<a href="#">56749.0001</a>	
37	1	SCREW, SKT HD SST 8-32X.75	<a href="#">57003.0000</a>	
	1	WIRING HARN, DOOR BEAN TO CUP FAST	<a href="#">56280.0000</a>	Not illustrated
	1	WIRING HARN,UPPER DOOR ADA-FAST CUP	<a href="#">53307.0001</a>	Not illustrated
	1	WIRING HARNESS, BUNNLINK-FAST CUP	<a href="#">56279.0000</a>	Not illustrated
41	1	LOCK WASHER, MDM SPLIT-#8 SST	<a href="#">01519.0000</a>	
42	1	WASHER, FLAT .1871 D X .375 OD SST	<a href="#">01522.0001</a>	
43	1	PLATE, BUNNLINK FRONT DOOR	<a href="#">48981.0002</a>	



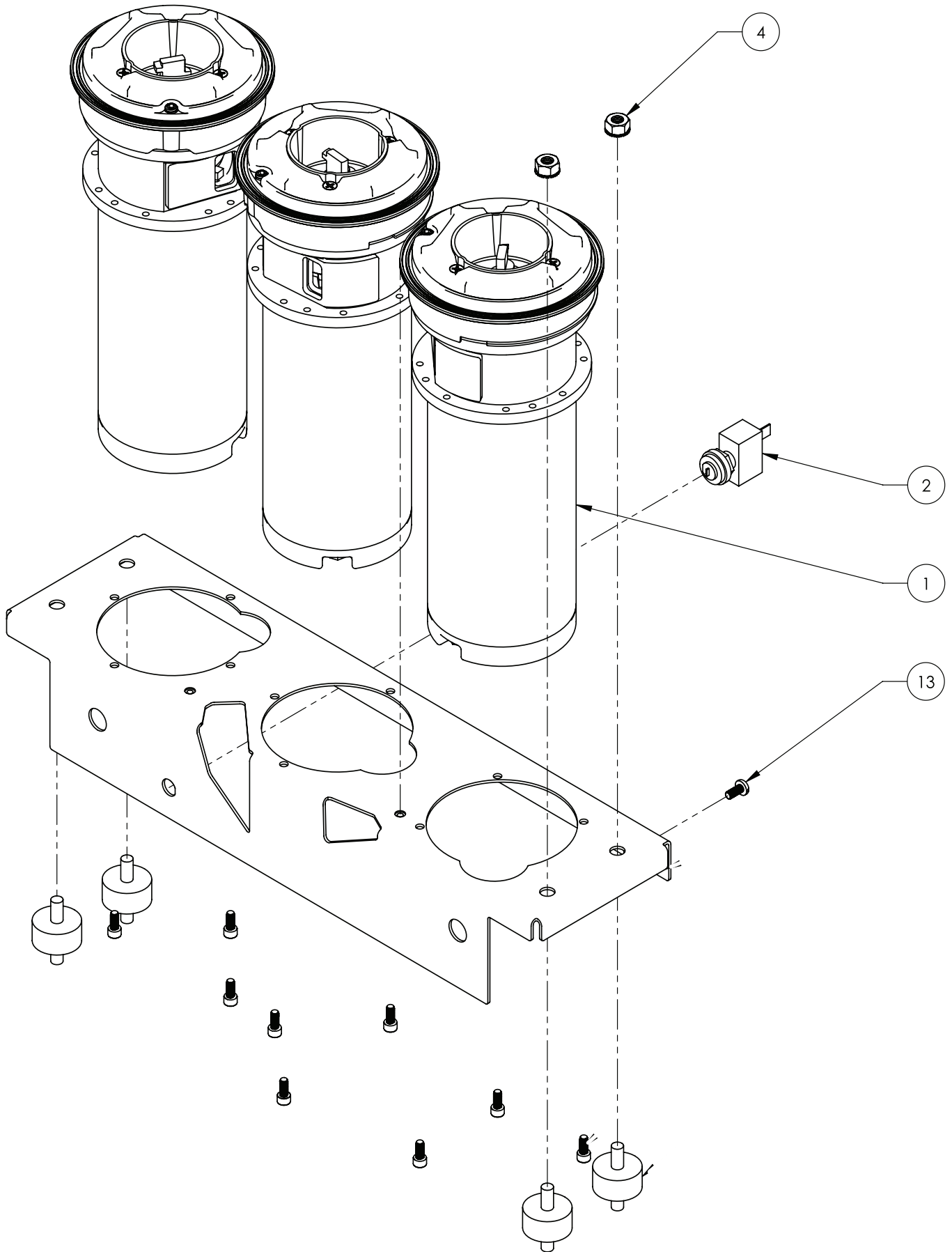
## LOWER DOOR ASSEMBLY

ITEM	QTY	DESCRIPTION	PART NO.	NOTES
1	1	DOOR ASSY	<a href="#">54995.1000</a>	
2	2	HINGE, MAIN DOOR	46634.0000	
3	1	SWITCH, MEMBRANE 5-BUTTON ADA	<a href="#">52709.1000</a>	
	1	WIRING HARN,LOWER DOOR ADA-FAST CUP	<a href="#">53307.0002</a>	Not Illustrated
10	2	SCREW, FLH SLTD SST 6-32x.50	<a href="#">01345.0000</a>	
11	4	SCREW, PNH PHH 2-LEAD #8-1 8X.50	<a href="#">44010.0000</a>	
12	2	TUBE, PVDF 8MM OD X .20 LG	55177.0006	
15	1	SCREW, SKT HD SST 8-32X.75	<a href="#">57003.0000</a>	
16	1	LOCK WASHER, MDM SPLIT #8 SST	<a href="#">01519.0000</a>	
17	1	WASHER, FLAT .1871 D X .375 OD SST	<a href="#">01522.0001</a>	
36	1	DECAL, WARNING - HOT LIQUID	<a href="#">35710.0000</a>	



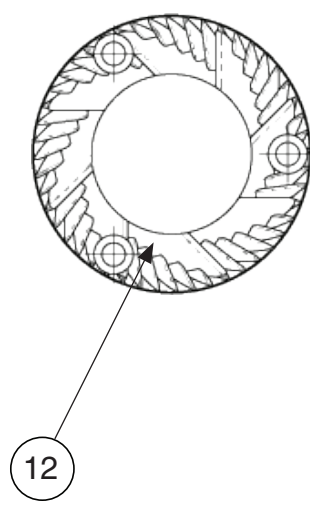
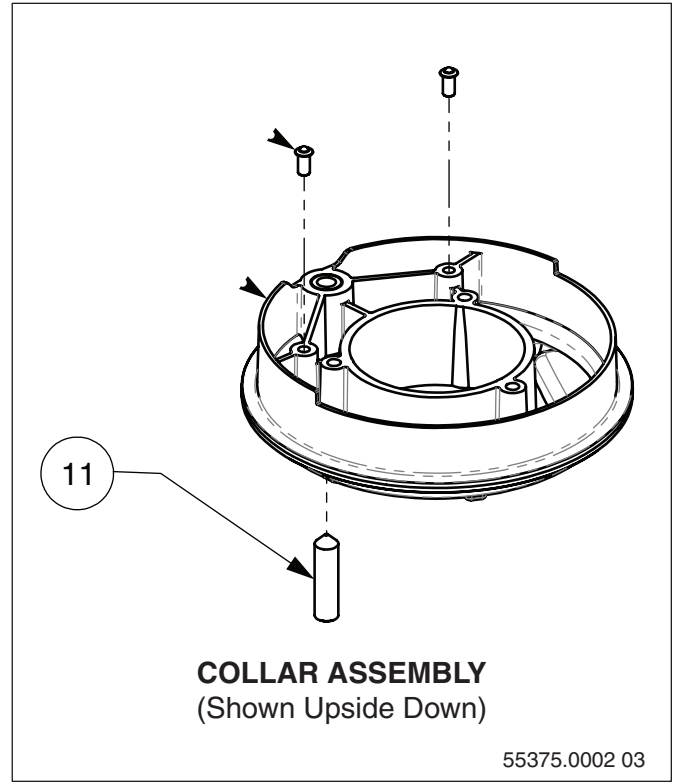
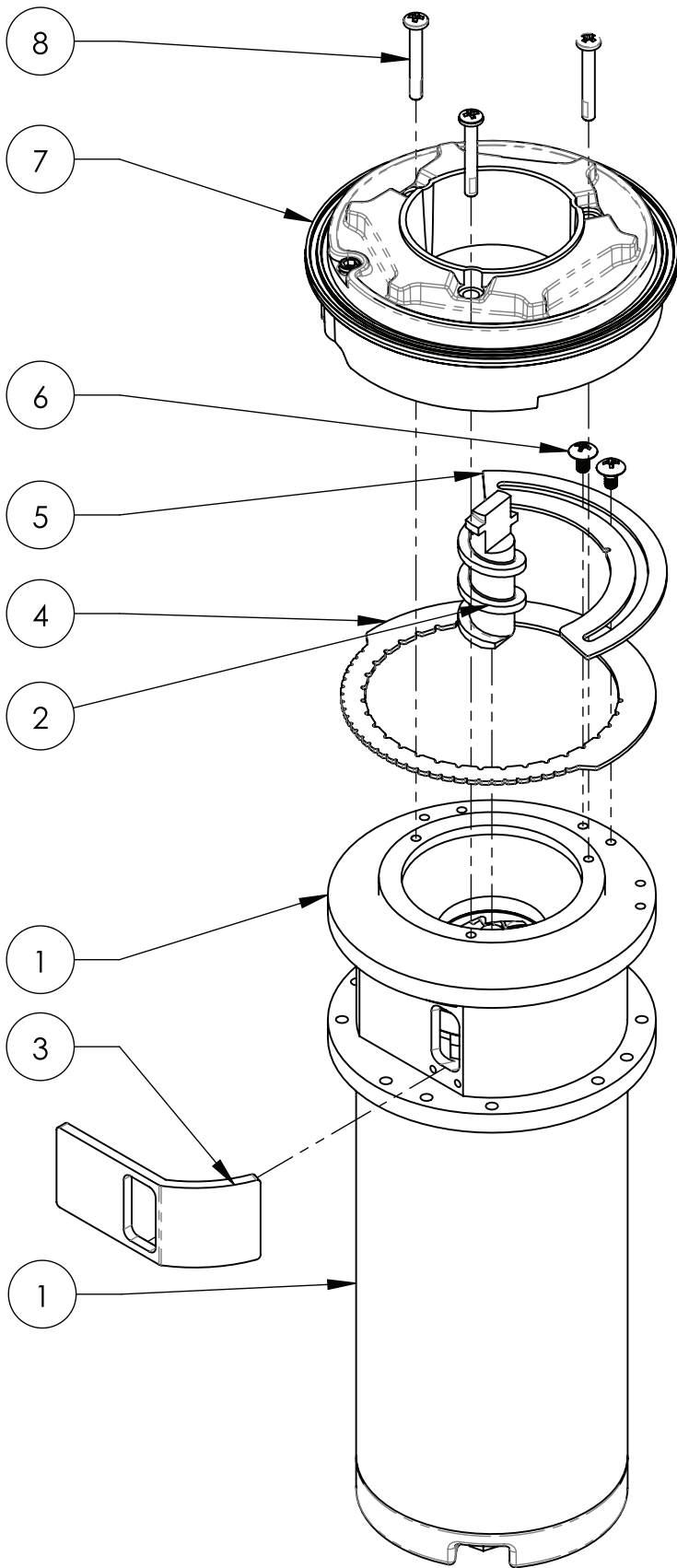
## GRINDERS - BRACKET

ITEM	QTY	DESCRIPTION	PART NO.	NOTES
-	1	KIT, GRINDER MANIFOLD	<a href="#">57513.1000</a>	Includes Items 7 - 12
7	1	ASSY, MANIFOLD AND LID FAST CUP	57513.0002	
8	3	DECHAFFER MOUNT, GRINDER MANIFOLD	<a href="#">55713.0000</a>	
9	1	SPRING, DECHAFFER BTC FAST	<a href="#">55716.0001</a>	
10	2	SPRING, SIDE DECHAFFER BTC FAST	<a href="#">55716.0002</a>	
11	3	PANEL, DECHAFFER HOLD-DOWN	<a href="#">55729.0000</a>	
12	8	SCREW, PNH#6 TYPE 25 X .625	<a href="#">38838.0001</a>	
13	3	SCREW, RDH SLTD LKG 8-32x.312	<a href="#">02329.0000</a>	
	1	WIRING HARN, GRINDER MODULE	55208.0000	Not illustrated



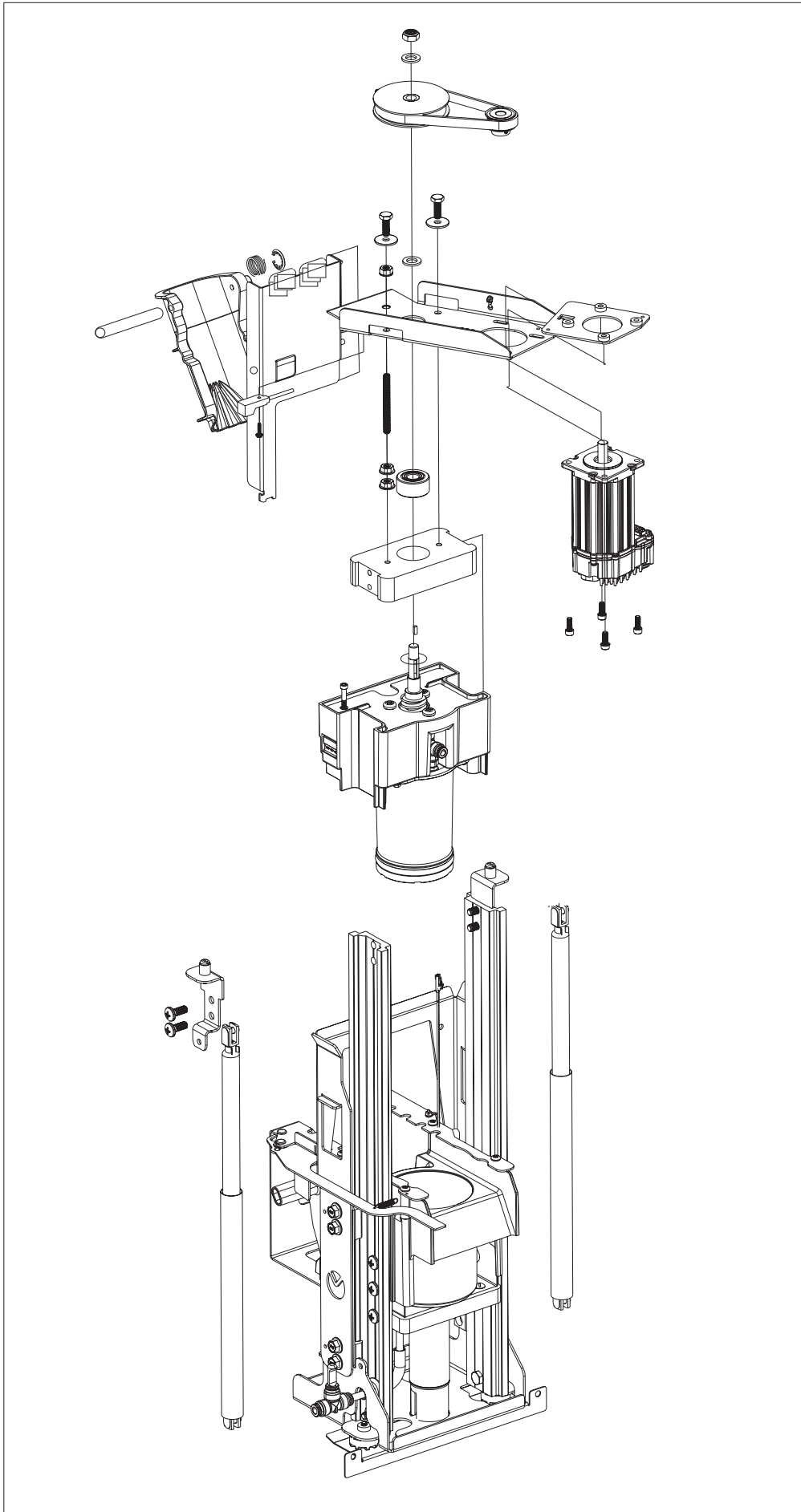
## GRINDERS - BRACKET (CONTINUED)

ITEM	QTY	DESCRIPTION	PART NO.	NOTES
1	3	GRINDER ASSY, FAST CUP W/ CONN	<a href="#">55469.0102</a>	Go to pg. 27
2	1	CIRCUIT BREAKER, 3 AMP	<a href="#">20987.0000</a>	
4	4	NUT, KEPS .25-20 ZINC PLTD	<a href="#">23700.0000</a>	
13	3	SCREW,RDH SLTD LKG 8-32x.312	<a href="#">02329.0000</a>	



## GRINDERS - ASSEMBLY

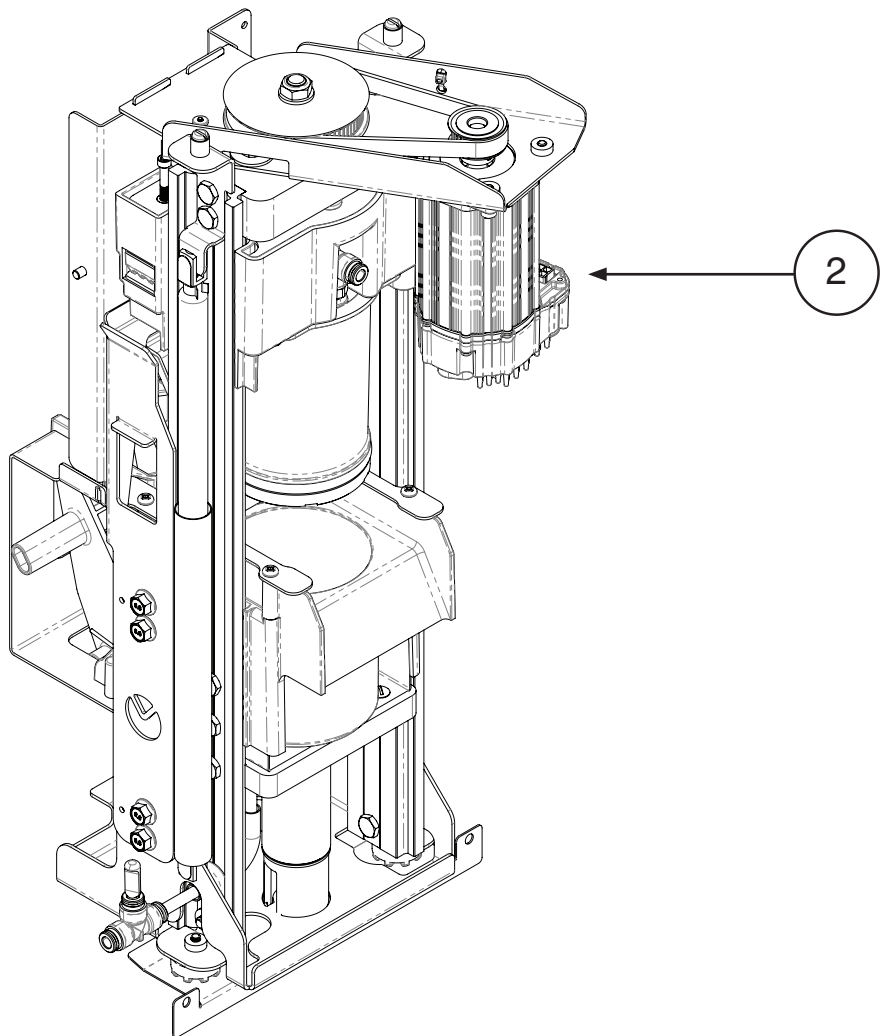
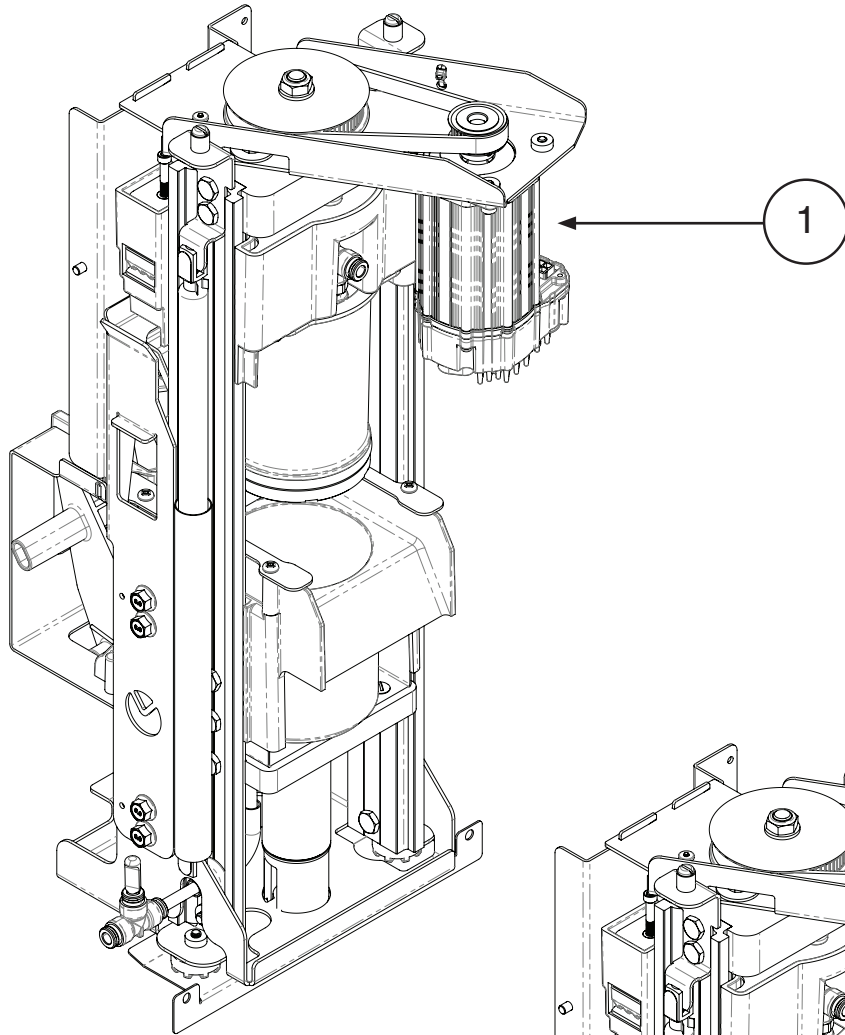
ITEM	QTY	DESCRIPTION	PART NO.	NOTES
1	1	GRINDER ASSY, FAST CUP W/ CONN	55469.0104	
	1	FILTER, FERRITE EMI	43384.0001	Not illustrated
2	1	AUGER, BTC FAST GRINDER FLAT	55316.0001	
3	1	SEAL, GRINDER MANIFOLD ADHESIVE BACKED	55599.0001	
4	1	PANEL, GRIND ADJUST LOCK	55376.0000	
5	1	PANEL, GRIND ADJUST LIMITER	55470.0000	
6	2	SCREW, THD PH SST 6-32 X .25 LKG	56782.0000	
7	1	ASSY, COLLAR, GRINDER W/ DETENT	55375.0103	
8	3	SCREW, PNH PHH 6-32 1.0LG SST LKG 58762.0000	58762.0000	
11	1	SET SCREW, CONE PT SST .25 X 1	55529.0000	
12	2	GRINDING BURR	48791.1000	



1

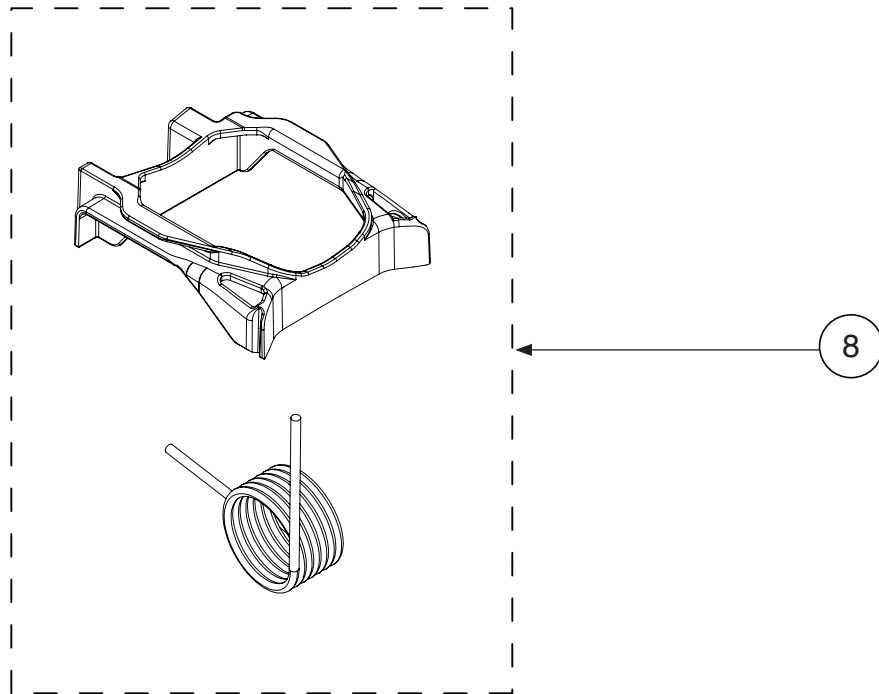
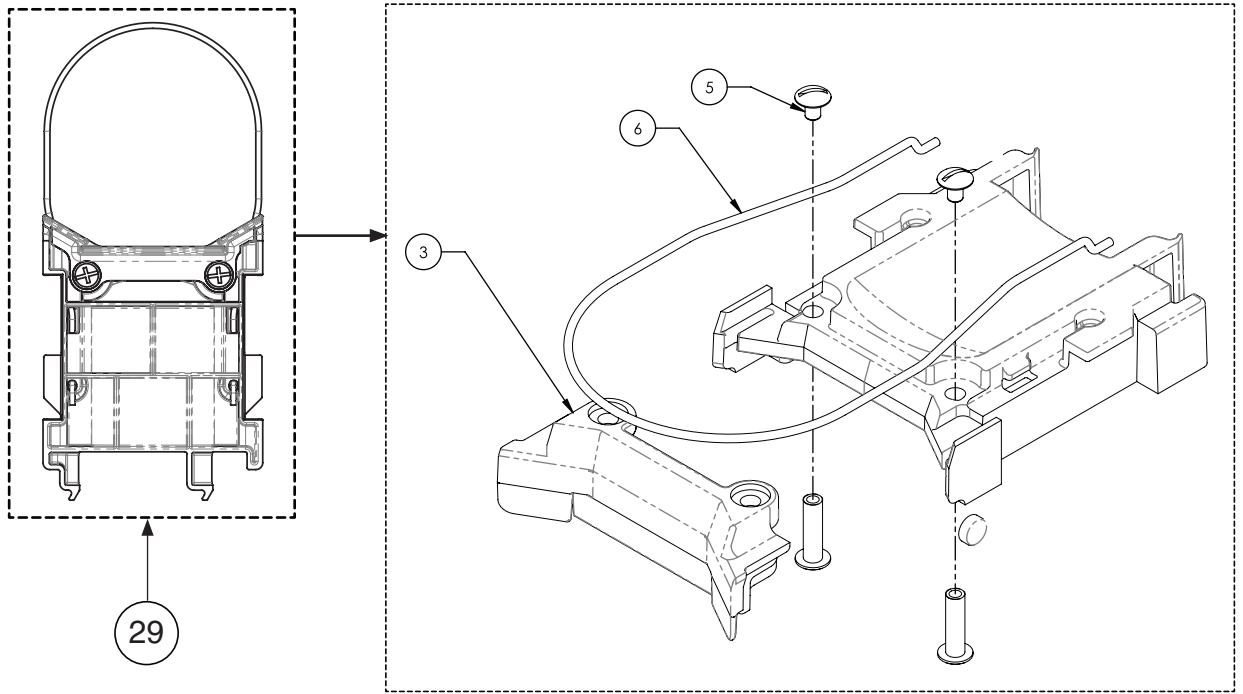
## BREW MODULE REBUILD KIT - GENERATION 2

ITEM	QTY	DESCRIPTION	PART NO.	NOTES
1	-	KIT, BREW MODULE FC LOWER REBUILD w/INSTRUCTIONS	54532.1031	Upgrade to Generation 3



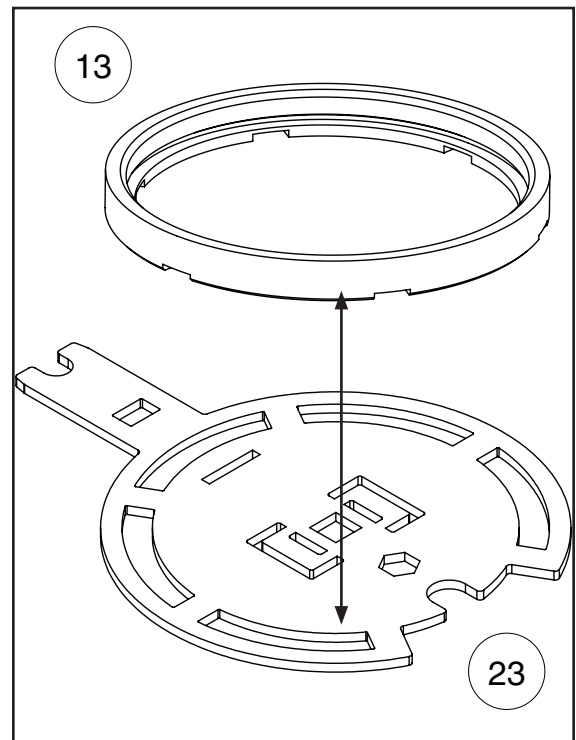
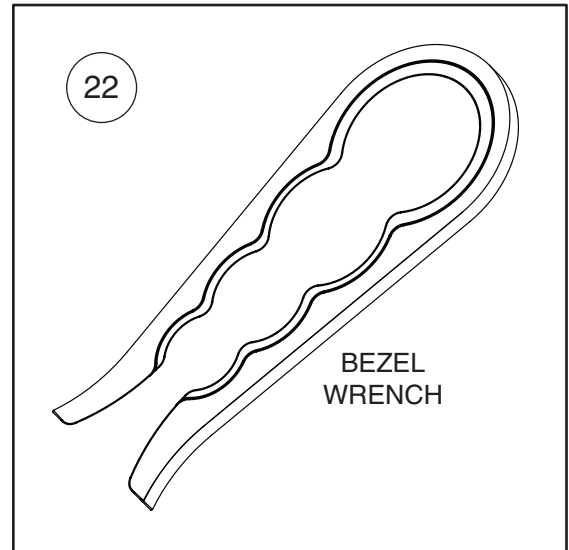
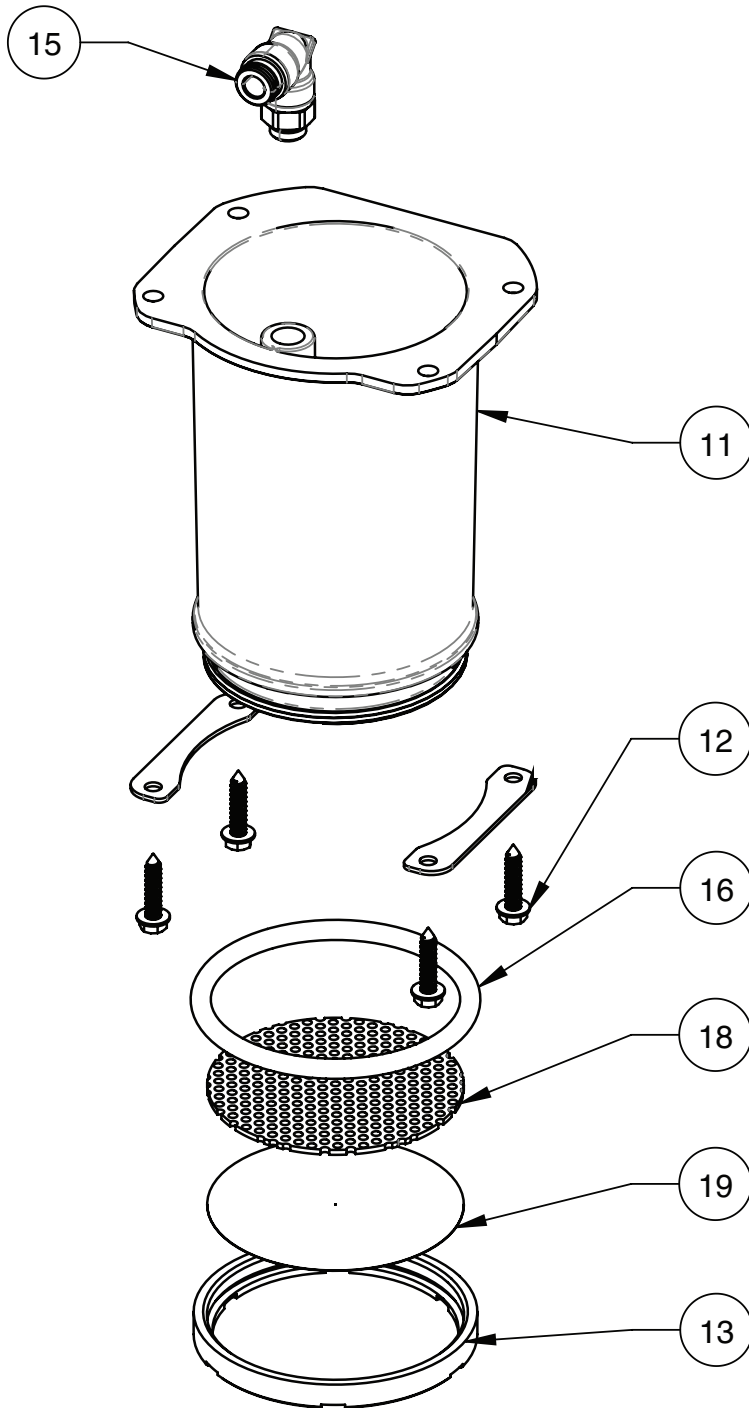
## BREW MODULE KIT - GENERATION 3

ITEM	QTY	DESCRIPTION	PART NO.	NOTES
1	-	KIT, NEW FC BREW MODULE ASSY COMPLETE	54532.1040	Generation 3
2	-	KIT, FC BREW MOD ASSY COMPLETE (REFURB)	54532.1140	Generation 3



## PUCK EJECTOR ASSEMBLY

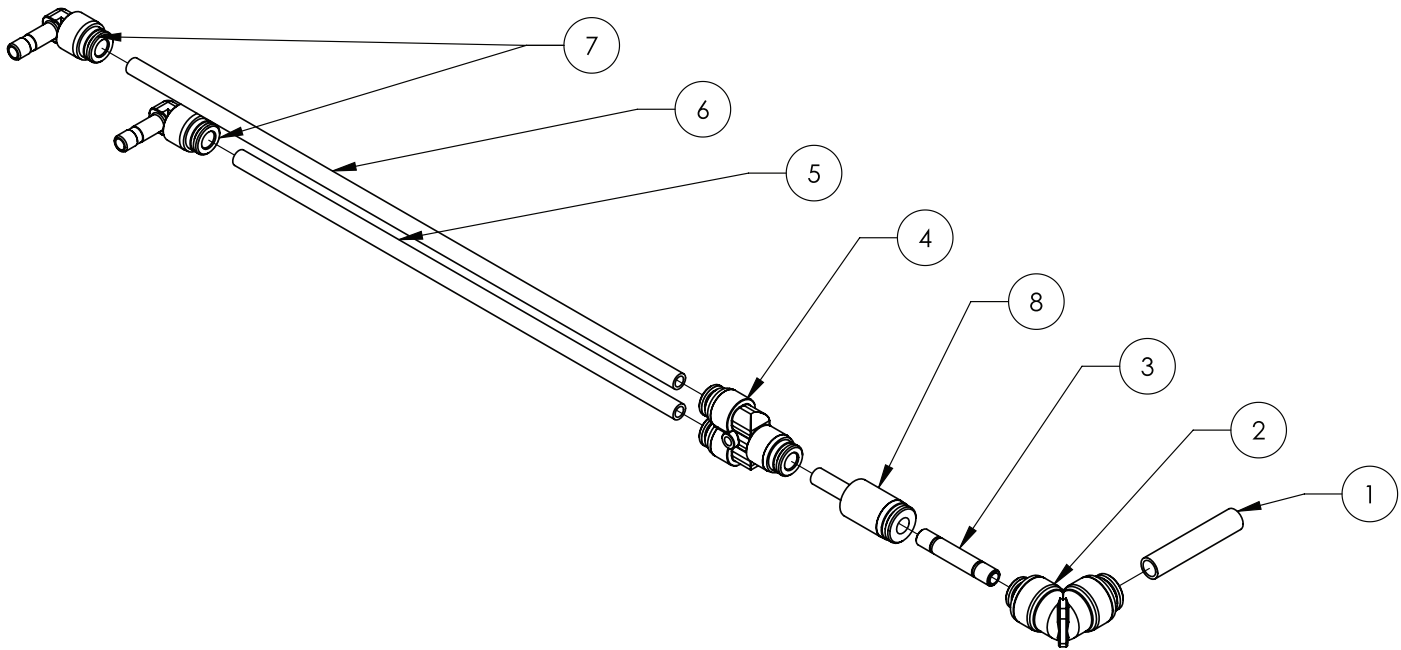
ITEM	QTY	DESCRIPTION	PART NO.	NOTES
29	1	PUCK EJECTOR ASSY	54802.0002	
3	1	SWIPER, WIPER ANTIMICROBIAL	54506.0103	
5	2	SCREW, TRH SLTD SST 8-32 x .25LKG	01311.0001	
6	1	WIRE, EXTENDED SWIPER HANDLE SST	56720.0001	
8	-	KIT, NONREMOVABLE SWIPER WITH INSTRUCTIONS	58751.1100	No longer to be removed for cleaning



55419.0000 01

## UPPER PISTON ASSEMBLY

ITEM	QTY	DESCRIPTION	PART NO.	NOTES
11	1	PISTON, UPPER	54508.0005	
12	4	SCREW, HEX HD 8-15 THD FORMING	<a href="#">56647.0000</a>	
13	1	BEZEL, FILTER SCREEN	46412.0003	
15	1	FITTING, ELBOW 8MM X G18 BSPP	<a href="#">53421.0000</a>	
	1	FITTING, 90 SWIVEL ELBOW ADAPTOR MALE	<a href="#">53414.0000</a>	Later
16	1	O-RING, 334 SILICONE	<a href="#">55166.0000</a>	
18	1	PLATE, SUPPORT FAST CUP UPPER PISTON	<a href="#">55359.0002</a>	
19	1	SCREEN, SST FAST CUP UPPER PISTON	<a href="#">55360.0005</a>	
22	-	BEZEL WRENCH	<a href="#">55419.0000</a>	Early Style
23	-	KIT TOOL, BREW MODULE FAST	58868.1000	Designed to Loosen/ Tghten Bezel



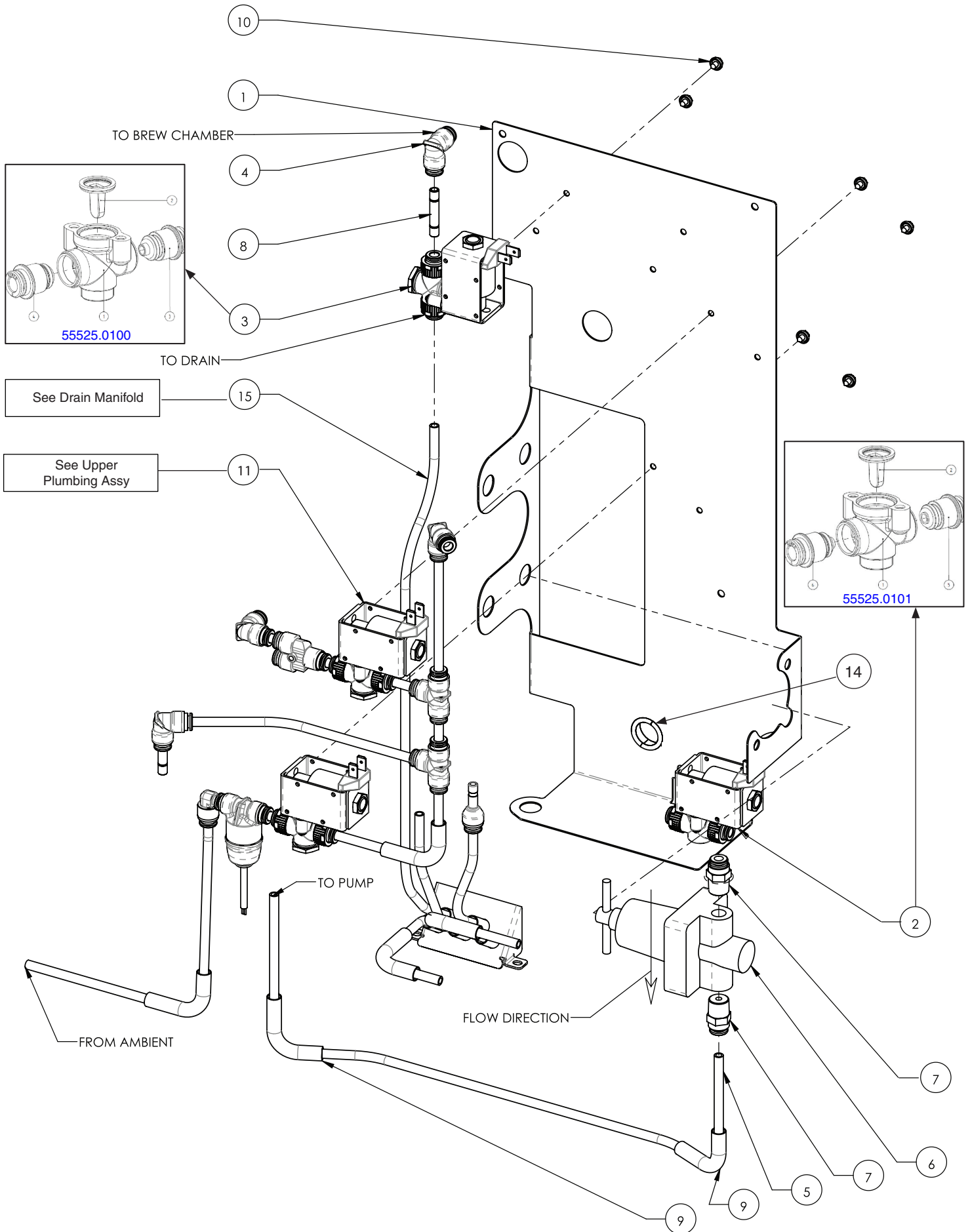
## BREW CHAMBER PLUMBING

ITEM	QTY	DESCRIPTION	PART NO.	NOTES
1	1	TUBE, PVDF 8MM OD X 1.5 LG	55177.0003	
2	1	ELBOW, 90° CONNECTOR PPSU 6/8MM	55541.0000	
3	3	FITTING, UNION STEM SST	53409.0000	
4	1	FITTING, Y 6MM PPSU	53416.0000	
5	1	TUBE, PVDF 6MM OD X 8.25 LG		Order #10
6	1	TUBE, PVDF 6MM OD X 10.25 LG		Order #10
7	2	FITTING, ELBOW 6MM TUBE 6MM STEM PPSU	53998.0000	
8	1	FILTER, SCREEN UNION 6MM	54091.0000	
9	1	TUBING, 1 FOOT - 8mm	55177.1000	Not illustrated
	1	TUBING, 3 FEET - 8mm	55177.1001	Not illustrated
	1	TUBING, 10 FEET - 8mm	55177.1002	Not illustrated
10	1	TUBING, 1 FOOT - 6mm	55176.1000	Not illustrated
	1	TUBING, 3 FEET - 6mm	55176.1001	Not illustrated
	1	TUBING, 10 FEET - 6mm	55176.1002	Not illustrated



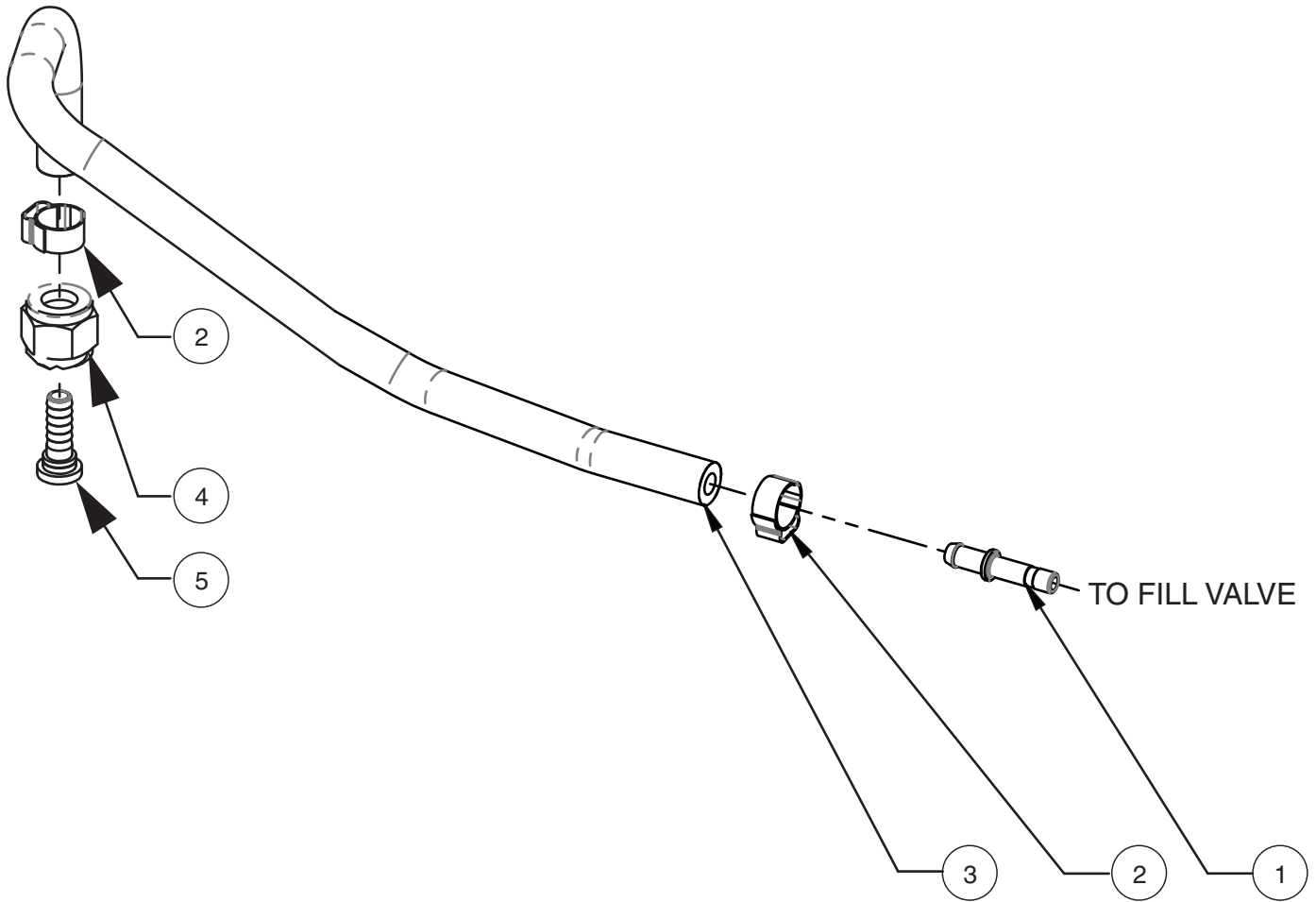
# VALVE PANEL ASSEMBLY (CONTINUED)

Fast Cup®



## VALVE PANEL ASSEMBLY (CONTINUED)

ITEM	QTY	DESCRIPTION	PART NO.	NOTES
1	1	BRACKET, VALVE MOUNT		
2	1	VALVE, SOLENOID 24V 2 WAY N.C.	55525.0001	
	1	VALVE KIT, SOLENOID 24V 2 WAY N.C.	55525.0101	Valve Kit (Re-build) Includes The Following Four items
	1	1. 2/2 WAY COMPLETE VALVE BODY		
	1	2. DIAPHRAM		
	1	5. CONNECTION UNIT		
	1	6. CONNECTION UNIT		
3	1	VALVE, SOLENOID 2 WAY N.O.	55525.0000	
	1	VALVE KIT, SOLENOID 24V 2 WAY N.O.	55525.0100	Valve Kit (Re-build) Includes The Following Four items
	1	1. 2/2 WAY COMPLETE VALVE BODY		
	1	2. DIAPHRAM		
	1	3. CONNECTION UNIT		
	1	4. CONNECTION UNIT		
4	1	ELBOW, 90° 6MM CONNECTOR	55523.0000	
5	1	TUBE, 6MM OD X 20.3 LG		Order #17
6	1	REGULATOR, PRESSURE	54491.0000	
7	2	FITTING, 1/4 NPT TAPED TO 6MM SST	57870.0000	
8	1	FITTING, UNION STEM SST	53409.0000	
9	2	FLOW BEND TUBE, SURE TAMP	34282.0003	
10	6	SCREW,HEX CRIMPTITE"AB"#6x.25	02332.0001	
11	1	ASSY, PLUMBING UPPER FAST BREW		Page 42-43, Upper Plumbing Assy
	1	ASSY, PLUMBING LOWER FAST BREW		Page 46-47, Lower Plumbing Assy
	1	ASSY, PLUMBING VALVE CLUSTER FAST BREW		Page 48-49, Valve Cluster Plumbing Assy
14	1	BUSHING, OCB-875 NYL BLK .671 ID	00606.0000	
15	1	BRACKET ASSY, WLDMT & TUBES		See Drain Manifold
16	1	WIRING HARN, MAIN VALVE	55237.0000	Not illustrated
17	-	TUBING, 1 FOOT - 6mm	55176.1000	Not illustrated
	-	TUBING, 3 FEET - 6mm	55176.1001	Not illustrated
	-	TUBING, 10 FEET - 6mm	55176.1002	Not illustrated



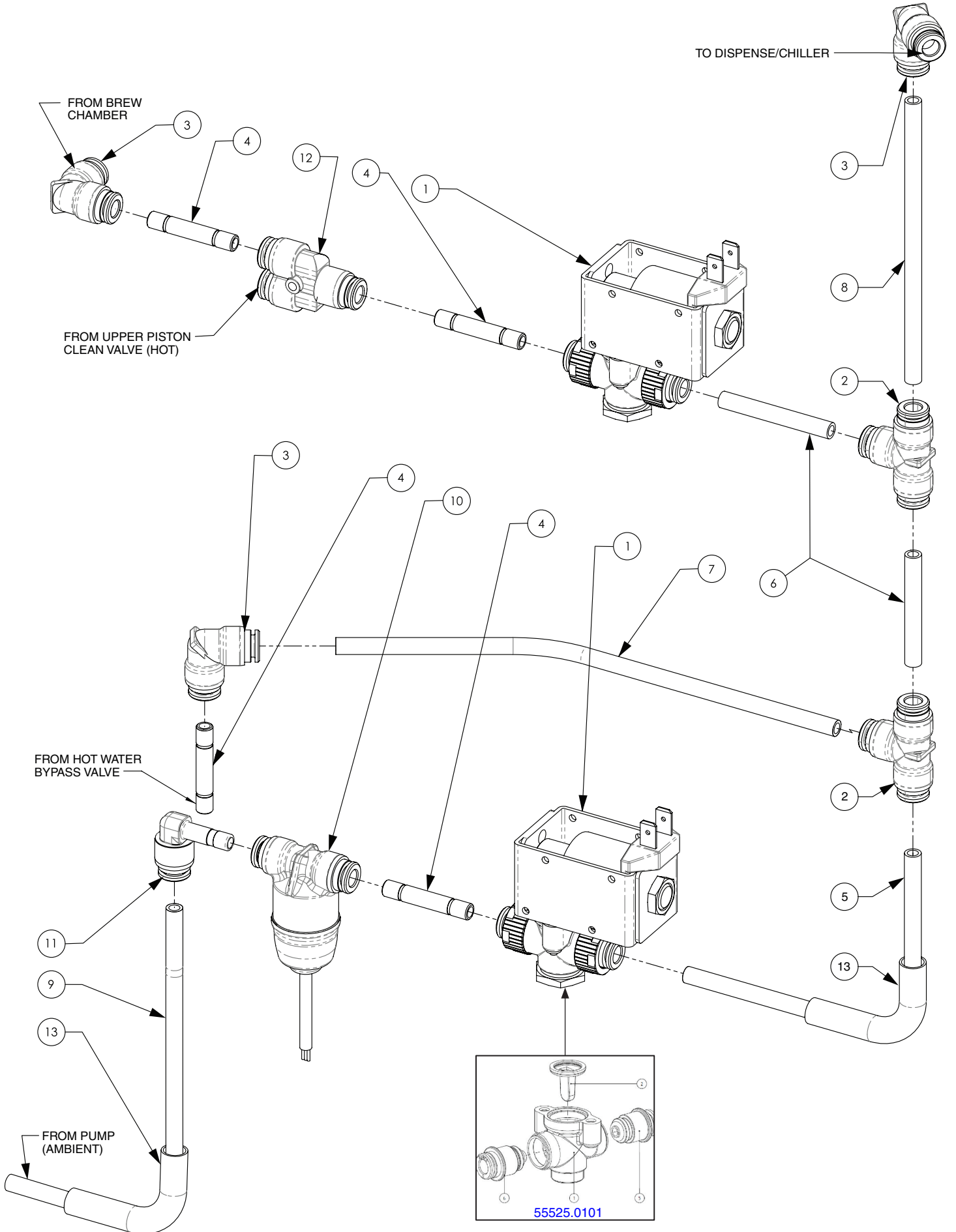
## INLET TUBE TO FILL VALVE (CONTINUED)

ITEM	QTY	DESCRIPTION	PART NO.	NOTES
1	1	FITTING, 6MM PPSU TUBE 4MM ID	<a href="#">53408.0001</a>	
2	2	CLAMP, SST-.406/.504 DIA#12.8	<a href="#">21275.0006</a>	
3	1	HOSE, .25 ID X 15.0 LG BRAID		Order #6
4	1	NUT,HEX .38 FLARE	<a href="#">33150.0000</a>	
5	1	NIPPLE, SST .25 BARB X .375 FEMALE FLARE		
6	-	HOSE, .25 ID x 120 LG BRAID	<a href="#">32745.1002</a>	Not illustrated



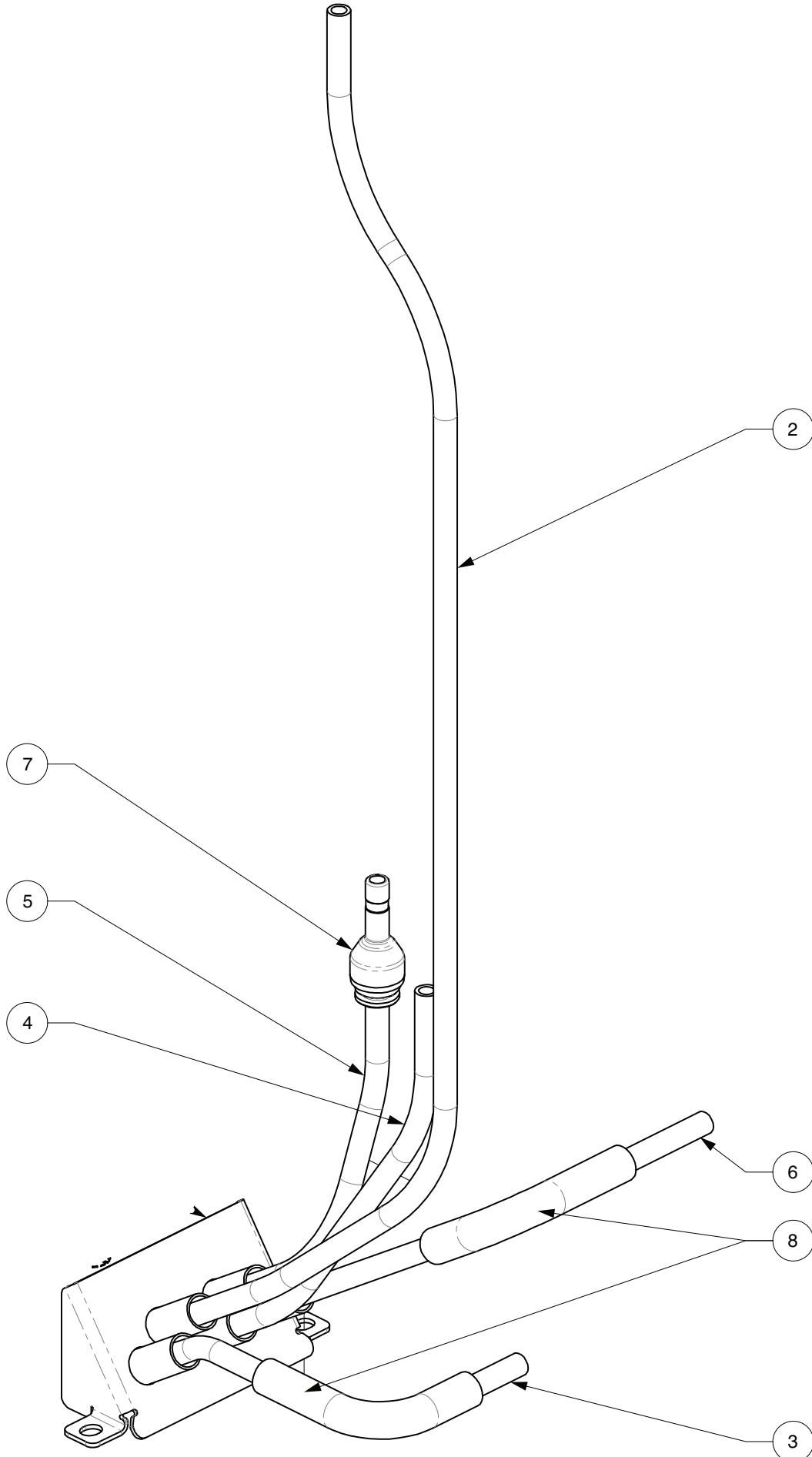
# UPPER PLUMBING ASSEMBLY (CONTINUED)

Fast Cup®



## UPPER PLUMBING ASSEMBLY (CONTINUED)

ITEM	QTY	DESCRIPTION	PART NO.	NOTES
1	2	VALVE, SOLENOID 24V 2 WAY N.C.	<a href="#">55525.0001</a>	
	1	VALVE KIT, SOLENOID 24V 2 WAY N.C.	<a href="#">55525.0101</a>	Valve Kit (Re-build) Includes The Following Four items
	1	1. 2/2 WAY COMPLETE VALVE BODY		
	1	2. DIAPHRAM		
	1	5. CONNECTION UNIT		
	1	6. CONNECTION UNIT		
2	2	FITTING, TEE 6MM PPSU	<a href="#">53411.0000</a>	
3	3	ELBOW, 90° 6MM CONNECTOR	<a href="#">55523.0000</a>	
4	4	FITTING, UNION STEM SST	<a href="#">53409.0000</a>	
5	1	TUBE, PVDF 6MM OD X 6.0 LG		Order #14
6	2	TUBE, PVDF 6MM OD X 1.75 LG		Order #14
7	1	TUBE, PVDF 6MM OD X 8.25 LG		Order #14
8	1	TUBE, PVDF 6MM OD X 4.5 LG		Order #14
9	1	TUBE, PVDF 6MM OD X 11.2 LG		Order #14
10	1	PRESSURE SENSOR ASSY, 6MM TUBE	<a href="#">54004.0001</a>	
11	1	FITTING, ELBOW 6MM TUBE 6MM STEM PPSU	<a href="#">53998.0000</a>	
12	1	FITTING, Y 6MM PPSU	<a href="#">53416.0000</a>	
13	2	FLOW BEND TUBE	<a href="#">34282.0003</a>	
14	-	TUBING, 1 FOOT - 6mm	<a href="#">55176.1000</a>	Not illustrated
	-	TUBING, 3 FEET - 6mm	<a href="#">55176.1001</a>	Not illustrated
	-	TUBING, 10 FEET - 6mm	<a href="#">55176.1002</a>	Not illustrated



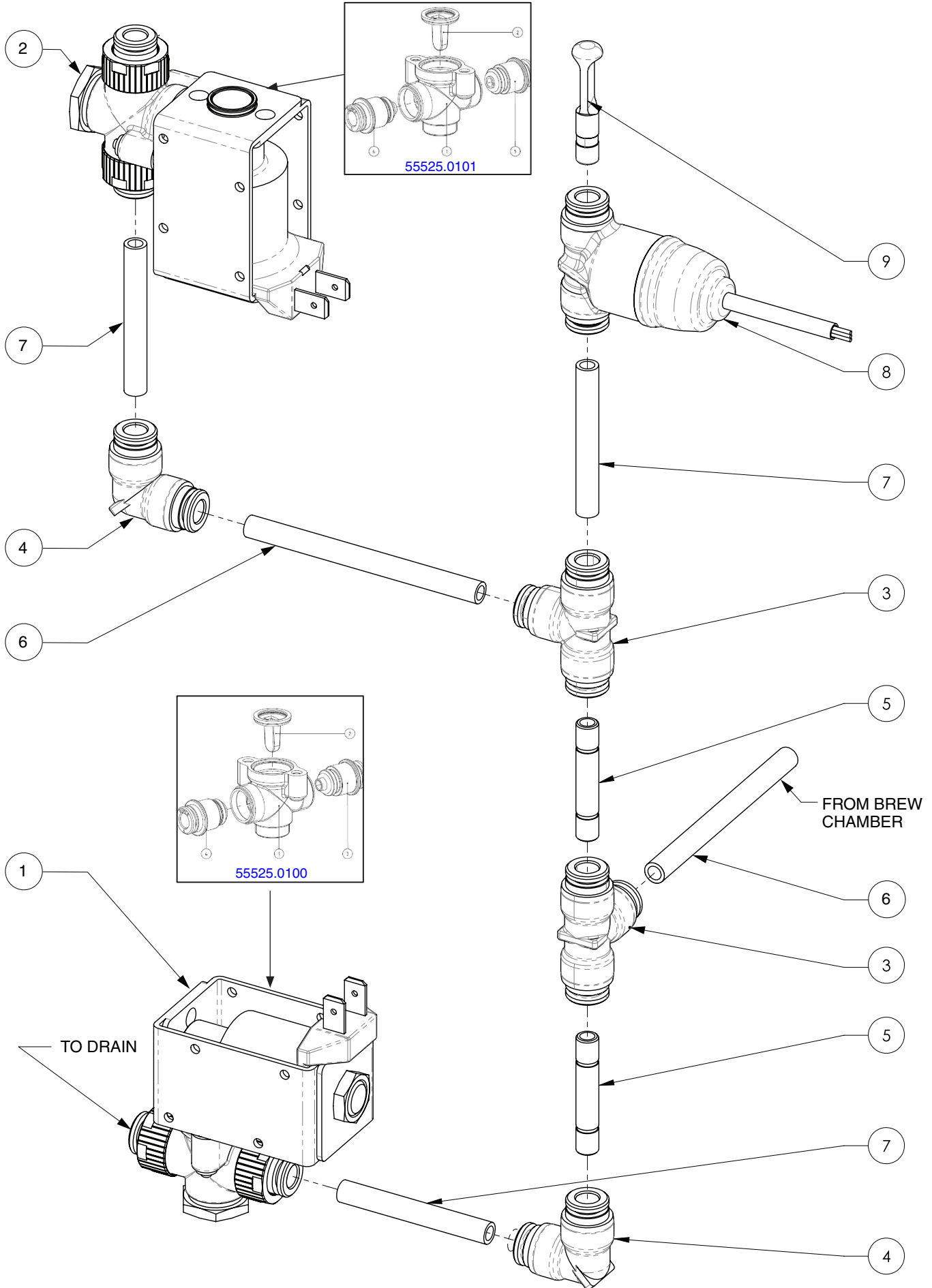
## DRAIN MANIFOLD (CONTINUED)

ITEM	QTY	DESCRIPTION	PART NO.	NOTES
2	1	TUBE, PVDF 6MM OD X 18.6 LG		Order #9
3	1	TUBE, PVDF 6MM OD X 6.0 LG		Order #9
4	1	TUBE, PVDF 6MM OD X 8.25 LG		Order #9
5	1	TUBE, PVDF 6MM OD X 6.6 LG		Order #9
6	1	TUBE, PVDF 6MM OD X 8.25 LG		Order #9
7	1	THROTTLE, FIXED PPSU 6MM	<a href="#">55546.0000</a>	
8	2	FLOW BEND TUBE	<a href="#">34282.0003</a>	
9	-	TUBING, 1 FOOT - 6mm	<a href="#">55176.1000</a>	Not illustrated
	-	TUBING, 3 FEET - 6mm	<a href="#">55176.1001</a>	Not illustrated
	-	TUBING, 10 FEET - 6mm	<a href="#">55176.1002</a>	Not illustrated



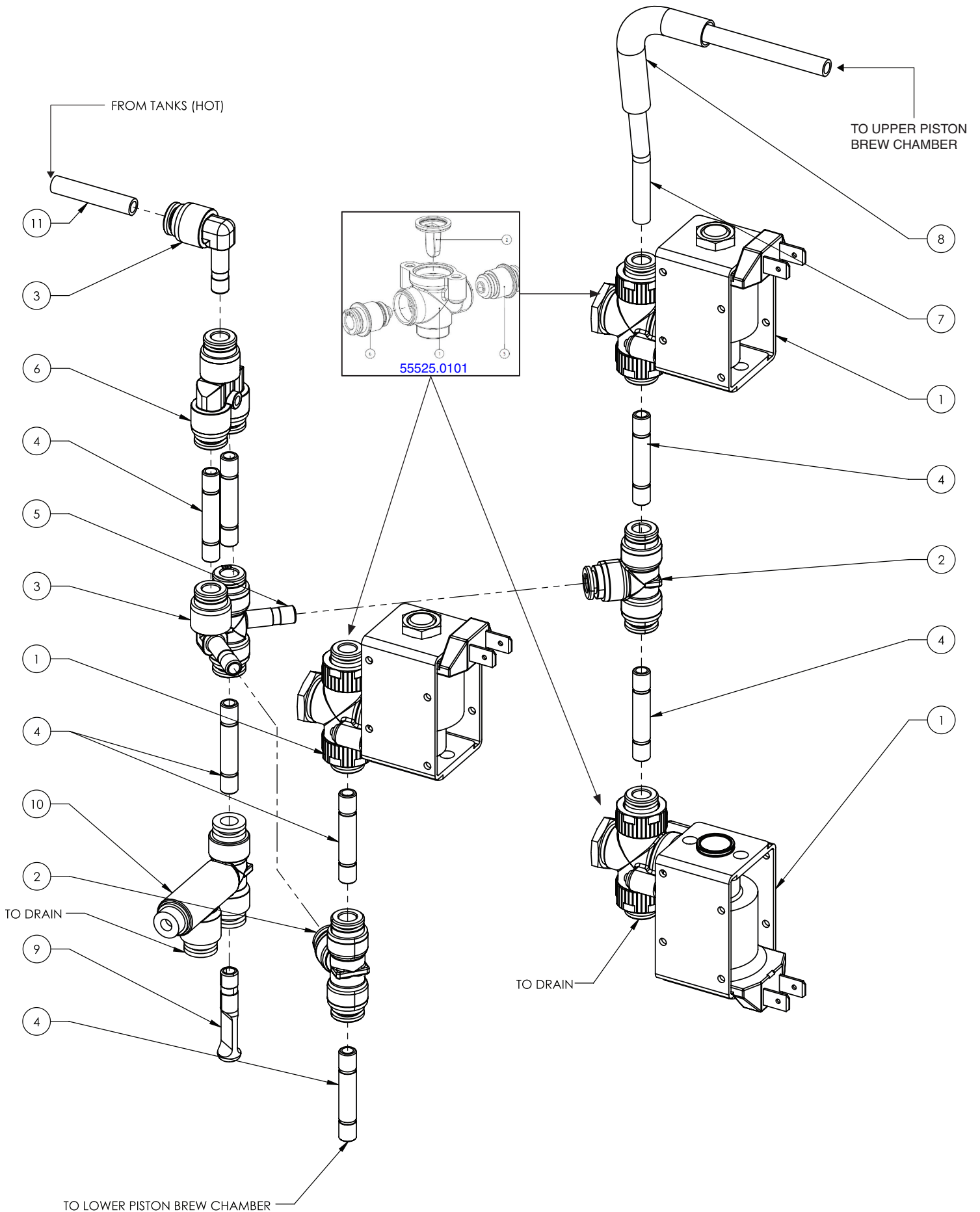
# LOWER PLUMBING ASSEMBLY (CONTINUED)

Fast Cup®



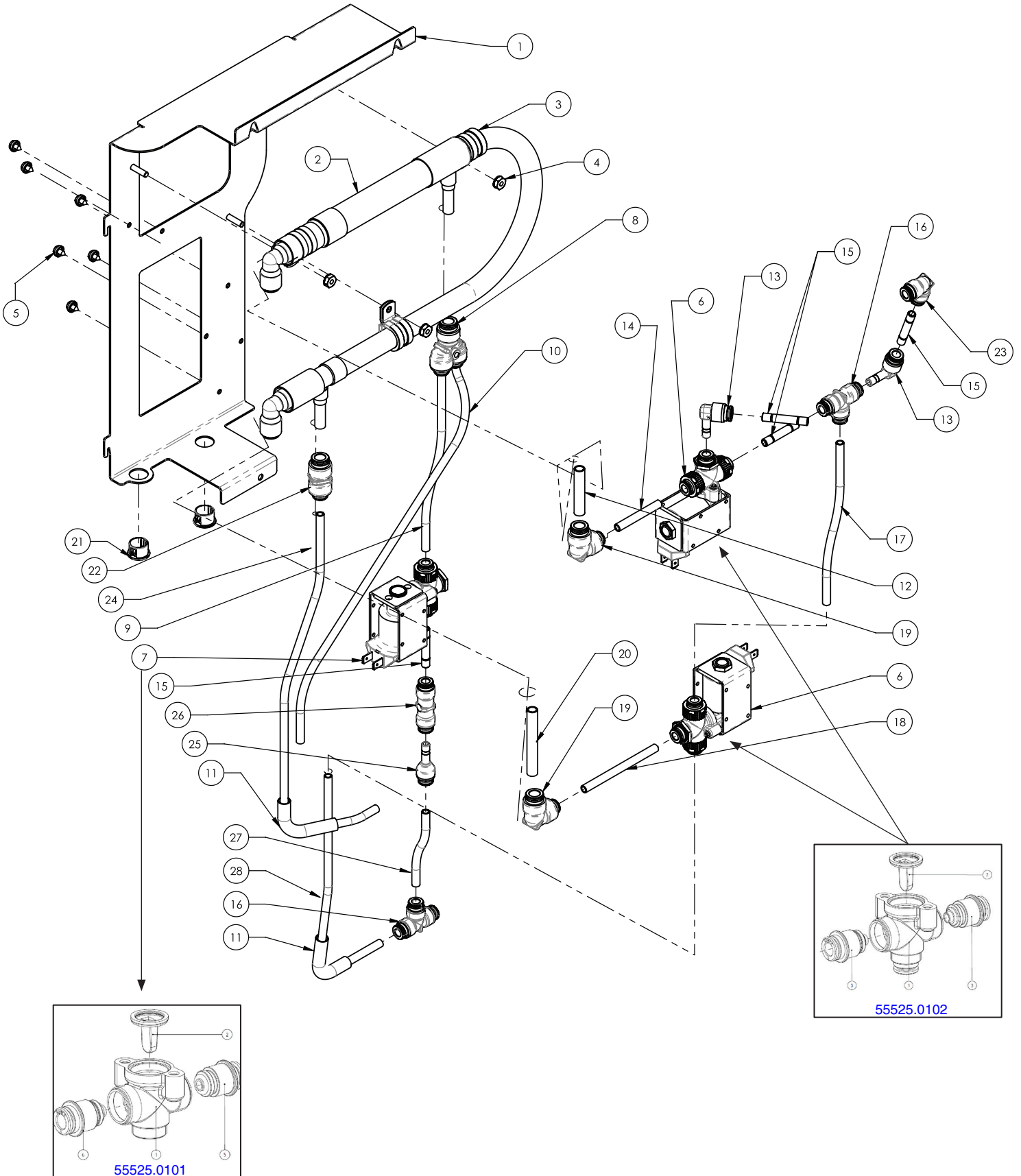
## LOWER PLUMBING ASSEMBLY (CONTINUED)

ITEM	QTY	DESCRIPTION	PART NO.	NOTES
1	1	VALVE, SOLENOID 2 WAY N.O.	<a href="#">55525.0000</a>	
	1	VALVE KIT, SOLENOID 24V 2 WAY N.O.	<a href="#">55525.0100</a>	Valve Kit (Re-build) Includes The Following Four items
	1	1. 2/2 WAY COMPLETE VALVE BODY		
	1	2. DIAPHRAM		
	1	3. CONNECTION UNIT		
	1	4. CONNECTION UNIT		
2	1	VALVE, SOLENOID 24V 2 WAY N.C.	<a href="#">55525.0001</a>	
	1	VALVE KIT, SOLENOID 24V 2 WAY N.C.	<a href="#">55525.0101</a>	Valve Kit (Re-build) Includes The Following Four items
	1	1. 2/2 WAY COMPLETE VALVE BODY		
	1	2. DIAPHRAM		
	1	5. CONNECTION UNIT		
	1	6. CONNECTION UNIT		
3	2	FITTING, TEE 6MM PPSU	<a href="#">53411.0000</a>	
4	2	ELBOW, 90° 6MM CONNECTOR	<a href="#">55523.0000</a>	
5	2	FITTING, UNION STEM SST	<a href="#">53409.0000</a>	
6	2	TUBE, PVDF 6MM OD X 2.75 LG		Order #10
7	3	TUBE, PVDF 6MM OD X 1.75 LG		Order #10
8	1	PRESSURE SENSOR ASSY, 6MM TUBE	<a href="#">54004.0001</a>	
9	1	PLUG, PUSH TO CONN 6MM OD	<a href="#">54811.0000</a>	
10	1	TUBING, 1 FOOT - 6mm	<a href="#">55176.1000</a>	Not illustrated
	1	TUBING, 3 FEET - 6mm	<a href="#">55176.1001</a>	Not illustrated
	1	TUBING, 10 FEET - 6mm	<a href="#">55176.1002</a>	Not illustrated



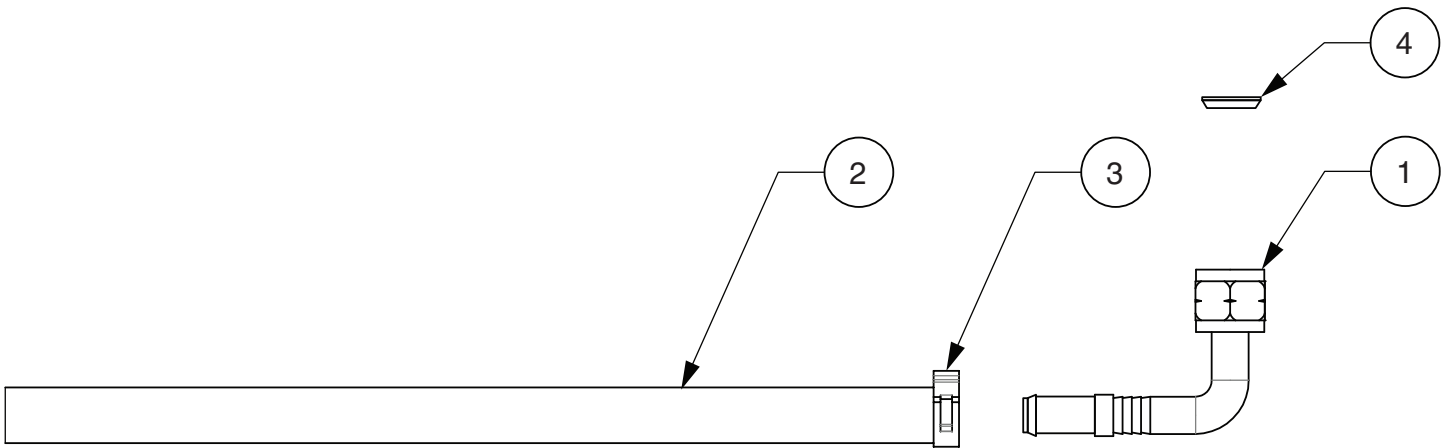
## VALVE CLUSTER PLUMBING ASSEMBLY (CONTINUED)

ITEM	QTY	DESCRIPTION	PART NO.	NOTES
1	3	VALVE, SOLENOID 24V 2 WAY N.C.	<a href="#">55525.0001</a>	
	1	VALVE KIT, SOLENOID 24V 2 WAY N.C.	<a href="#">55525.0101</a>	Valve Kit (Re-build) Includes The Following Four items
	1	1. 2/2 WAY COMPLETE VALVE BODY		
	1	2. DIAPHRAM		
	1	5. CONNECTION UNIT		
	1	6. CONNECTION UNIT		
2	2	FITTING, TEE 6MM PPSU	<a href="#">53411.0000</a>	
3	2	FITTING, ELBOW 6MM TUBE 6MM STEM PPSU	<a href="#">53998.0000</a>	
4	7	FITTING, UNION STEM SST	<a href="#">53409.0000</a>	
5	1	FITTING, T-STEM 6MM PPSU	<a href="#">53410.0000</a>	
6	1	FITTING, Y 6MM PPSU	<a href="#">53416.0000</a>	
7	1	TUBE, PVDF 6MM OD X 6.6 LG		Order #12
8	1	FLOW BEND TUBE, SURE TAMP	<a href="#">34282.0003</a>	
9	1	PLUG, PUSH TO CONN 6MM OD	<a href="#">54811.0000</a>	
10	1	VALVE, PRESSURE CONTROL 6MM	<a href="#">55524.0000</a>	
11	1	TUBE, PVDF 6MM OD X 4.0 LG		Order #12
12	-	TUBING, 1 FOOT - 6mm	<a href="#">55176.1000</a>	Not illustrated
	-	TUBING, 3 FEET - 6mm	<a href="#">55176.1001</a>	Not illustrated
	-	TUBING, 10 FEET - 6mm	<a href="#">55176.1002</a>	Not illustrated



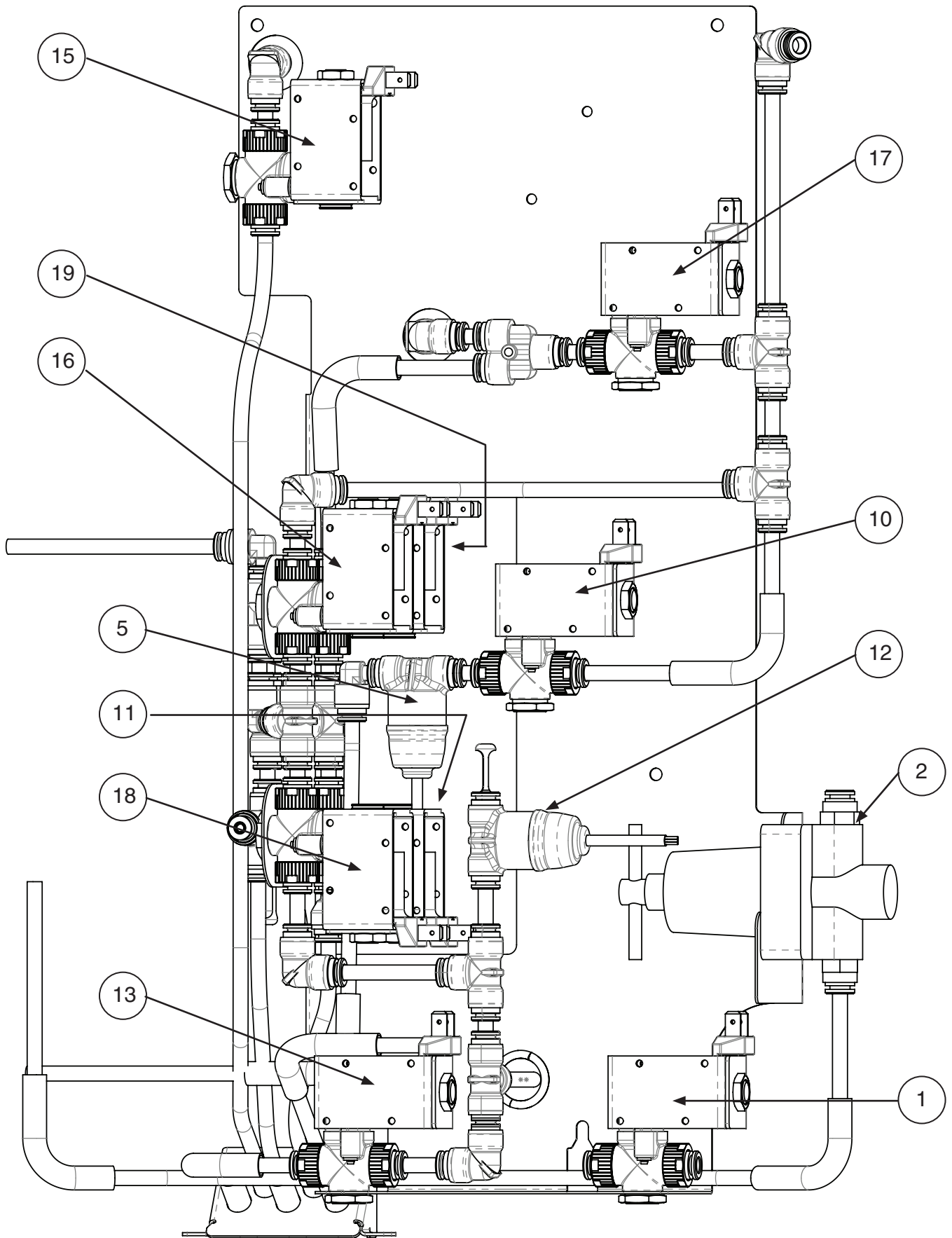
## CHILLER & VALVES PLUMBING ASSEMBLY

ITEM	QTY	DESCRIPTION	PART NO.	NOTES
1	1	WLDMT, CHILLER BRACKET		
2	1	COFFEE CHILLER ASSY	55584.1000	
3	3	CLAMP,SST-BLK RBR CTG .63ID	32360.0001	
4	3	NUT, KEPS #8-32 ZINC PL	00970.0000	
5	6	SCREW,HEX CRIMPTITE"AB"#6x.25	02332.0001	
6	2	VALVE, SOLENOID 24V 3 WAY	55525.0002	
	1	VALVE KIT, SOLENOID 24V 3 WAY	55525.0102	Valve Kit (Re-build) Includes The Following Three items
	1	1. 3/2 WAY COMPLETE VALVE BODY		
	2	2. DIAPHRAM 3. CONNECTION UNIT		
7	1	VALVE, SOLENOID 24V 2 WAY N.C.	55525.0001	
	1	VALVE KIT, SOLENOID 24V 2 WAY N.C.	55525.0101	Valve Kit (Re-build) Includes The Following Four items
	1	1. 2/2 WAY COMPLETE VALVE BODY		
	1	2. DIAPHRAM		
	1	5. CONNECTION UNIT 6. CONNECTION UNIT		
8	1	CONNECTOR, Y PLSTIC 6/8MM	55539.0000	
9	1	TUBE, PVDF 6MM OD X 7.0 LG		Order #31
10	1	TUBE, PVDF 6MM OD X 15.0 LG		Order #31
11	2	FLOW BEND TUBE, SURE TAMP	34282.0003	
12	1	TUBE, PVDF 8MM OD X 1.5 LG		Order #30
13	2	FITTING, ELBOW 6MM TUBE 6MM STEM PPSU	53998.0000	
14	1	TUBE, PVDF 6MM OD X 1.75 LG		Order #31
15	4	FITTING, UNION STEM SST	53409.0000	
16	2	FITTING, TEE 6MM PPSU	53411.0000	
17	1	TUBE, PVDF 6MM OD X 5.5 LG		Order #31
18	1	TUBE, PVDF 6MM OD X 3.0 LG		Order #31
19	2	ELBOW, 90° CONNECTOR PPSU 6/8MM	55541.0000	
20	1	TUBE, PVDF 8MM OD X 2.3 LG		Order #30
21	2	BUSHING, SNAP .562 HOLE DIA	33549.0000	
22	1	CONNECTOR, STRAIGHT 6/8MM	55540.0000	
23	1	ELBOW, 90° 6MM CONNECTOR	55523.0000	
24	1	TUBE, PVDF 6MM OD X 14.0 LG		Order #31
25	1	THROTTLE, FIXED PPSU 6MM	55546.0000	
26	1	CHECK VALVE, 6MM TUBE IN OUT PPSU	55042.0000	
27	1	TUBE, PVDF 6MM OD X 3.0 LG		Order #31
28	1	TUBE, PVDF 6MM OD X 10.0 LG		Order #31
29	1	WIRING HARNESS, CHILLER	55662.0000	Not illustrated
30	-	TUBING, 1 FOOT - 8mm	55177.1000	Not illustrated
	-	TUBING, 3 FEET - 8mm	55177.1001	Not illustrated
	-	TUBING, 10 FEET - 8mm	55177.1002	Not illustrated
31	-	TUBING, 1 FOOT - 6mm	55176.1000	Not illustrated
	-	TUBING, 3 FEET - 6mm	55176.1001	Not illustrated
	-	TUBING, 10 FEET - 6mm	55176.1002	Not illustrated

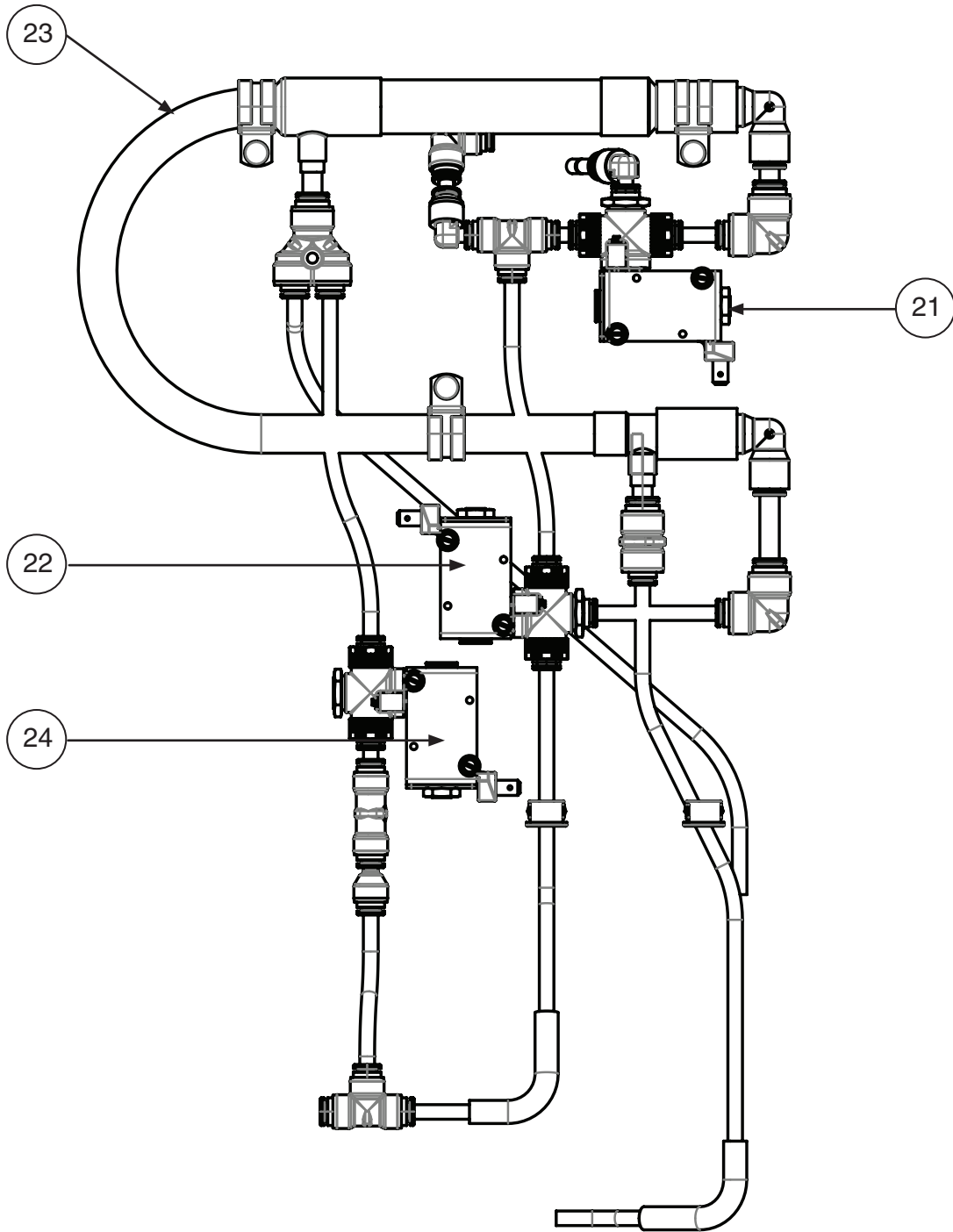


## SUPPLY LINE TUBE ASSEMBLY

ITEM	QTY	DESCRIPTION	PART NO.	NOTES
1	1	FITTING, 90° .38 BARB X .38 SW NUT	<a href="#">33151.0000</a>	
2	1	HOSE, FLEX .375 ID X 1.75 BRAID		Order #5
3	1	CLAMP, SST- .571 - .699 DIA. #17.0	<a href="#">21275.0003</a>	
4	1	GASKET, .375 FLARE - COPPER	<a href="#">32359.0000</a>	
5	-	HOSE, .38 ID X 12.0 LG BRAIDED WHT LINE	<a href="#">54496.1000</a>	Not Illustrated
	-	HOSE, .38 ID X 36.0 LG BRAIDED WHT LINE	<a href="#">54496.1001</a>	Not Illustrated
	-	HOSE, .38 ID X 120.0 LG BRAIDED WHT LINE	<a href="#">54496.1002</a>	Not Illustrated

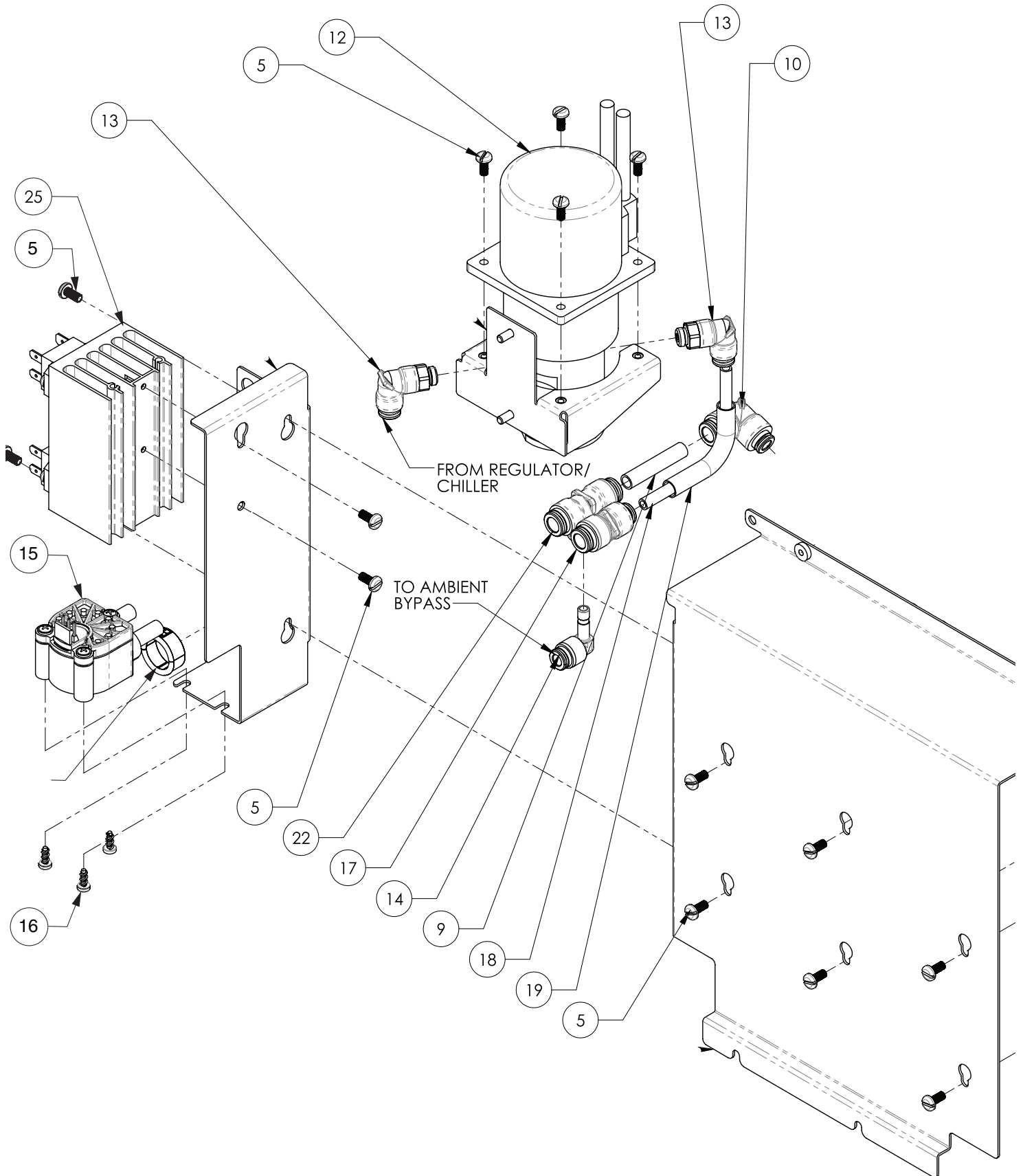






## CHILLER VALVE PANEL NOMENCLATURE

ITEM	QTY	DESCRIPTION	NOTES
21		Chiller Coffee Input Valve, 3 Way	
22		Chiller Coffee Output Valve, 3 Way	
23		Coffee Chiller (Heat Exchanger)	02308.0000
24		Chiller Ambient Drain Valve	Normally Closed



## TANK BRACKET ASSEMBLY (CONTINUED)

ITEM	QTY	DESCRIPTION	PART NO.	NOTES
5	15	SCREW, PNH SLTD W/SERR #8-32X.38	02308.0000	
9	1	TUBE, PVDF 8MM OD X 1.5 LG		Order #31
10	2	ELBOW, 90° CONNECTOR PPSU 6/8MM	55541.0000	
12	1	KIT, PUMP ASSY W/TERM FAST CUP	55758.1002	
13	2	FITTING, ELBOW 6MM GI8 BSP PPSU	53414.0000	
14	1	FITTING, ELBOW 6MM TUBE 6MM STEM PPSU	53998.0000	
15	1	METER, FLOW 4.0mm ORF JOHN GUEST	40752.0006	
16	3	SCREW, PNH PHH #8 HI - LO X .38	41103.0000	
17	1	CONNECTOR, STRAIGHT 6/8MM	55540.0000	
18	1	TUBE, PVDF 6MM OD X 4.5 LG		Order #32
19	1	FLOW BEND TUBE, SURE TAMP	34282.0003	
22	1	FITTING, TEE PUSH-IN 8MM 6MM TUBE PPSU	53988.0000	
25	1	SSR ASSY, 3x230VAC 25AMP	56786.0000	
	1	WIRING HARN, TANK MODULE	55206.0001	Not Illustrated
31	-	TUBING, 1 FOOT - 8mm	55177.1000	Not Illustrated
	-	TUBING, 3 FEET - 8mm	55177.1001	Not Illustrated
	-	TUBING, 10 FEET - 8mm	55177.1002	Not Illustrated
32	-	TUBING, 1 FOOT - 6mm	55176.1000	Not Illustrated
	-	TUBING, 3 FEET - 6mm	55176.1001	Not Illustrated
	-	TUBING, 10 FEET - 6mm	55176.1002	Not Illustrated



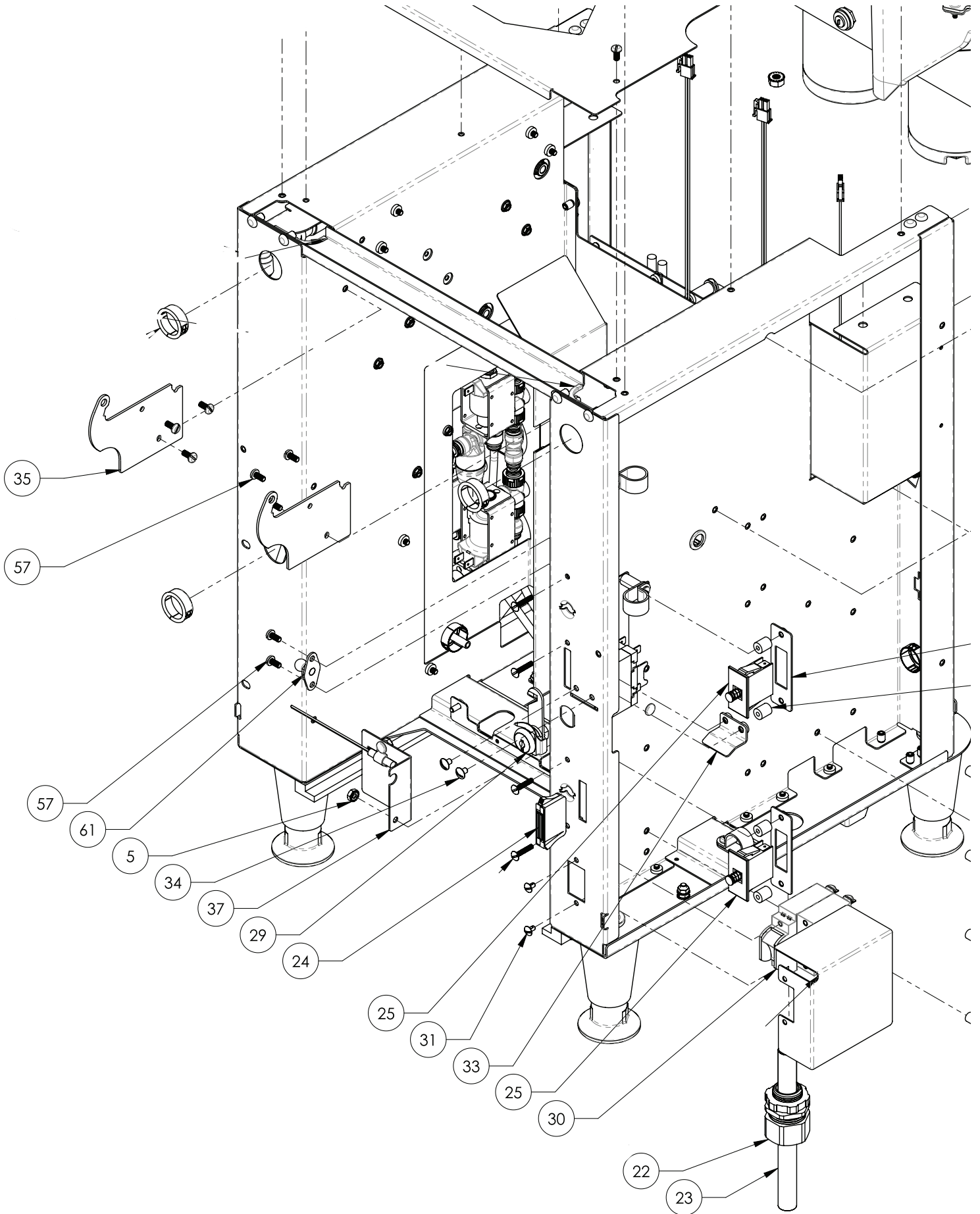
## TANK BRACKET ASSEMBLY

ITEM	QTY	DESCRIPTION	PART NO.	NOTES
2	1	HOT WATER TANK ASSY - 3000W	50402.1002 Closeout	Replace with .1008
	1	HOT WATER TANK ASSY - 2500W	50402.1004 Closeout	Replace with .1008
3	1	HOT WATER TANK ASSY - 3000W	50402.1002 Closeout	Replace with .1008
	1	HOT WATER TANK ASSY - 2500W	50402.1004 Closeout	Replace with .1008
4	1	HOT WATER TANK ASSY - 3000W	50402.1001 Closeout	Replace with .1007
	1	HOT WATER TANK ASSY - 2500W	50402.1003 Closeout	Replace with .1007
5	15	SCREW, PNH SLTD W/SERR #8-32X.38	02308.0000	
6	1	TUBE, PVDF 8MM OD X 9.0 LG		Order #31
7	1	TUBE, PVDF 8MM OD X 8.0 LG		Order #31
9	1	TUBE, PVDF 8MM OD X 1.5 LG		Order #31
10	2	ELBOW, 90° CONNECTOR PPSU 6/8MM	55541.0000	
20	1	TUBE, PVDF 6MM OD X 4.0 LG		Order #32
21	1	TUBE, PVDF 6MM OD X 9.4 LG		Order #32
	1	WIRING HARN, TANK MODULE	55206.0001	Not Illustrated
27	3	TEMP PROBE ASSEMBLY	12568.1016	
28	6	HIGH LIMIT THERMOSTAT	50291.0000	
	1	KIT, THERMOSTATS W/TIES	54360.0000	Not illustrated
	6	TIE, METAL	37061.0000	Not illustrated
31	-	TUBING, 1 FOOT - 8mm	55177.1000	Not illustrated
	-	TUBING, 3 FEET - 8mm	55177.1001	Not illustrated
	-	TUBING, 10 FEET - 8mm	55177.1002	Not illustrated
32	-	TUBING, 1 FOOT - 6mm	55176.1000	Not illustrated
	-	TUBING, 3 FEET - 6mm	55176.1001	Not illustrated
	-	TUBING, 10 FEET - 6mm	55176.1002	Not illustrated



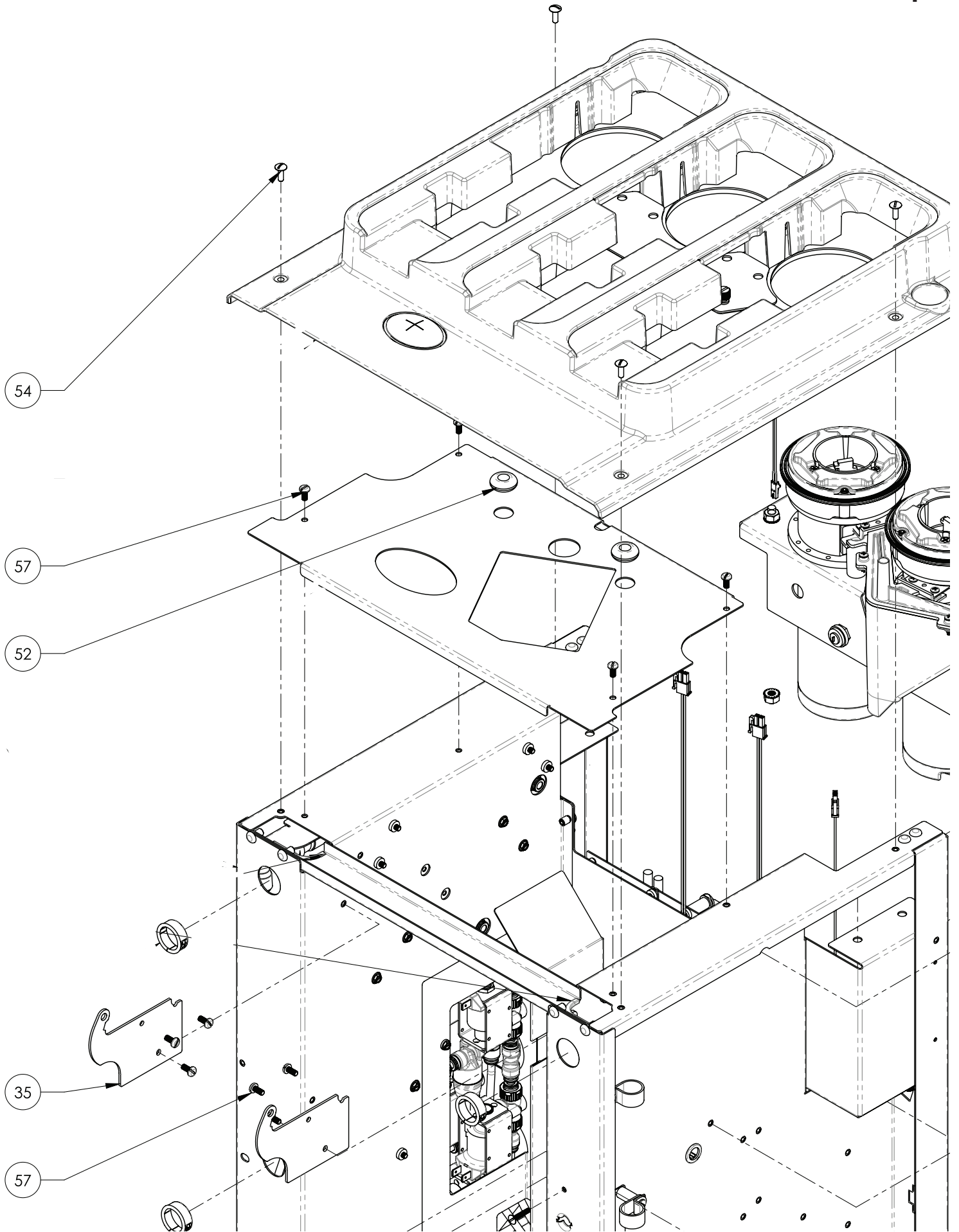
# CHASSIS COMPONENTS - 1 (CONTINUED)

Fast Cup®



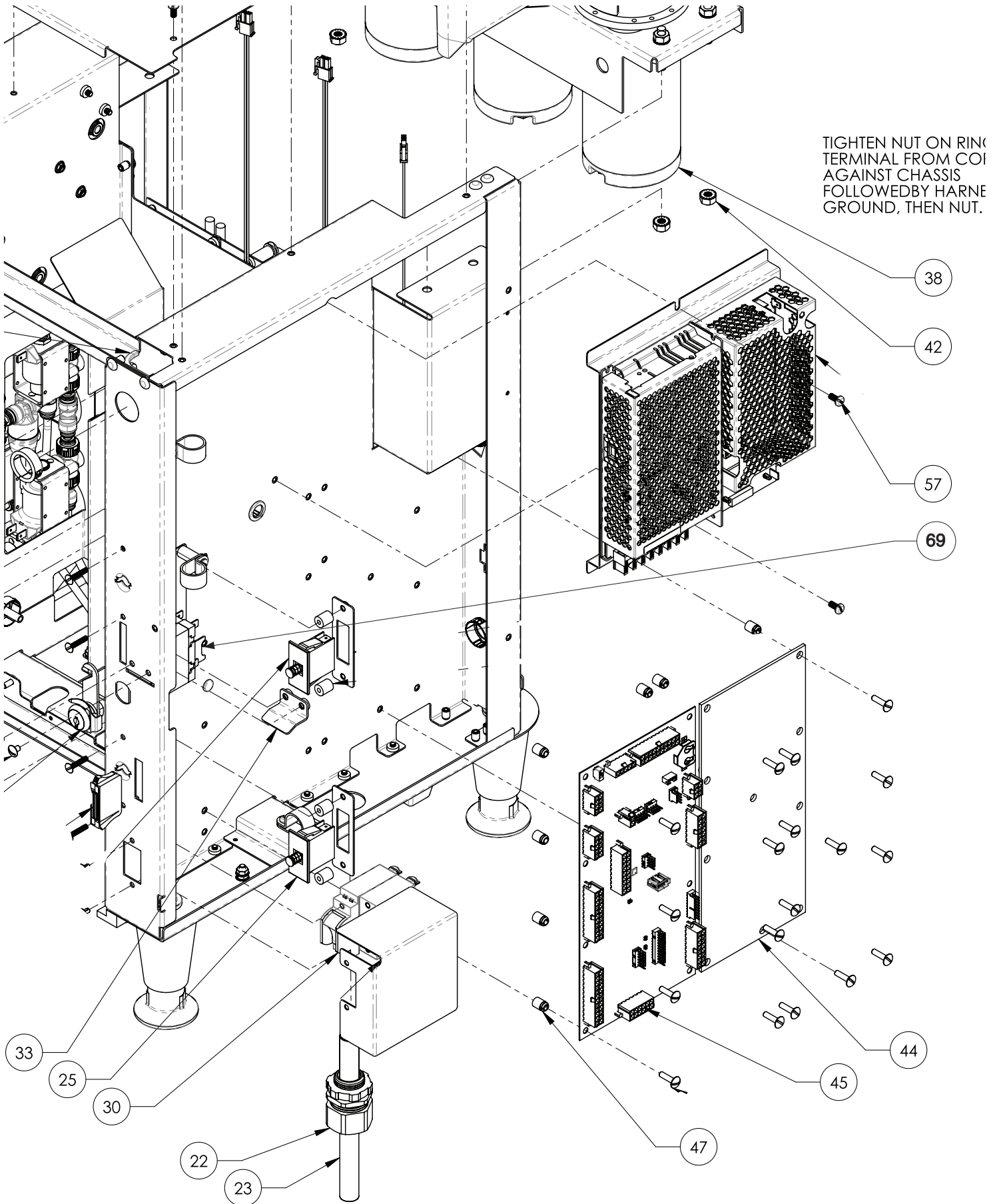
## CHASSIS COMPONENTS - 1 (CONTINUED)

ITEM	QTY	DESCRIPTION	PART NO.	NOTES
5	8	NUT, KEPS #8-32 ZINC PL	<a href="#">00970.0000</a>	
22	1	BUSHING, STRAIN RELIEF (LTCG M25)	<a href="#">05746.0001</a>	
23	1	POWER CORD, 10-3 30A/250V FAST CUP	50211.0001	
24	1	MAGNETIC CATCH - SNAP IN	<a href="#">25899.0000</a>	
25	2	SWITCH, INTERRUPT DPST-NO+SPST-NC	<a href="#">50573.0002</a>	
29	2	LOCK ASSEMBLY, 1.555x.437 BODY	<a href="#">34472.0000</a>	
30	1	SWITCH, 125/250V 50A DBL POLE	<a href="#">38894.0001</a>	
31	2	SCREW, TRH SLTD SST 6-32 x .25 LKG	<a href="#">01308.0002</a>	
33	1	BRACKET WLDMT, DOOR SAG	<a href="#">54996.0010</a>	
34	2	SCREW, TRH SLTD SST 8-32x.25	<a href="#">01311.0000</a>	
35	2	BRACKET, DOOR HINGE	<a href="#">55725.0001</a>	
37	1	REED SWITCH ASSY, FAST CUP	<a href="#">53459.1001</a>	
57	27	SCREW, PNH SLTD W/SERR #8-32X.38	<a href="#">02308.0000</a>	
61	1	WLDMT, LOWER DOOR PROP	57501.0000	
	1	WIRING HARN, COMMUNICATION	<a href="#">55209.0000</a>	Not illustrated
	1	WIRING HARN, BREW MODULE PASS THRU	55220.0001	Not illustrated
	1	WIRING HARN, DOOR SWITCH	<a href="#">55221.0000</a>	Not illustrated
	1	WIRING HARN, GROUNDS BIN/DRIP TRAY	<a href="#">55223.0000</a>	Not illustrated
	1	WIRING HARN, FAN	<a href="#">55187.0001</a>	Not illustrated
	1	HARNESS, LED POWER FAST BREW	<a href="#">56449.0001</a>	Not illustrated
	1	WIRING HARN, CBA TO BULKHEAD	56795.0000	Not illustrated



## CHASSIS COMPONENTS - 1 (CONTINUED)

ITEM	QTY	DESCRIPTION	PART NO.	NOTES
35	2	BRACKET, DOOR HINGE	55725.0001	
52	2	GROMMET, SILICONE-.375 ID	02536.0000	
54	4	SCREW,TRH-SLT-BLK OXD 8-32x.5	02322.0000	
57	27	SCREW, PNH SLTD W/SERR #8-32X.38	02308.0000	

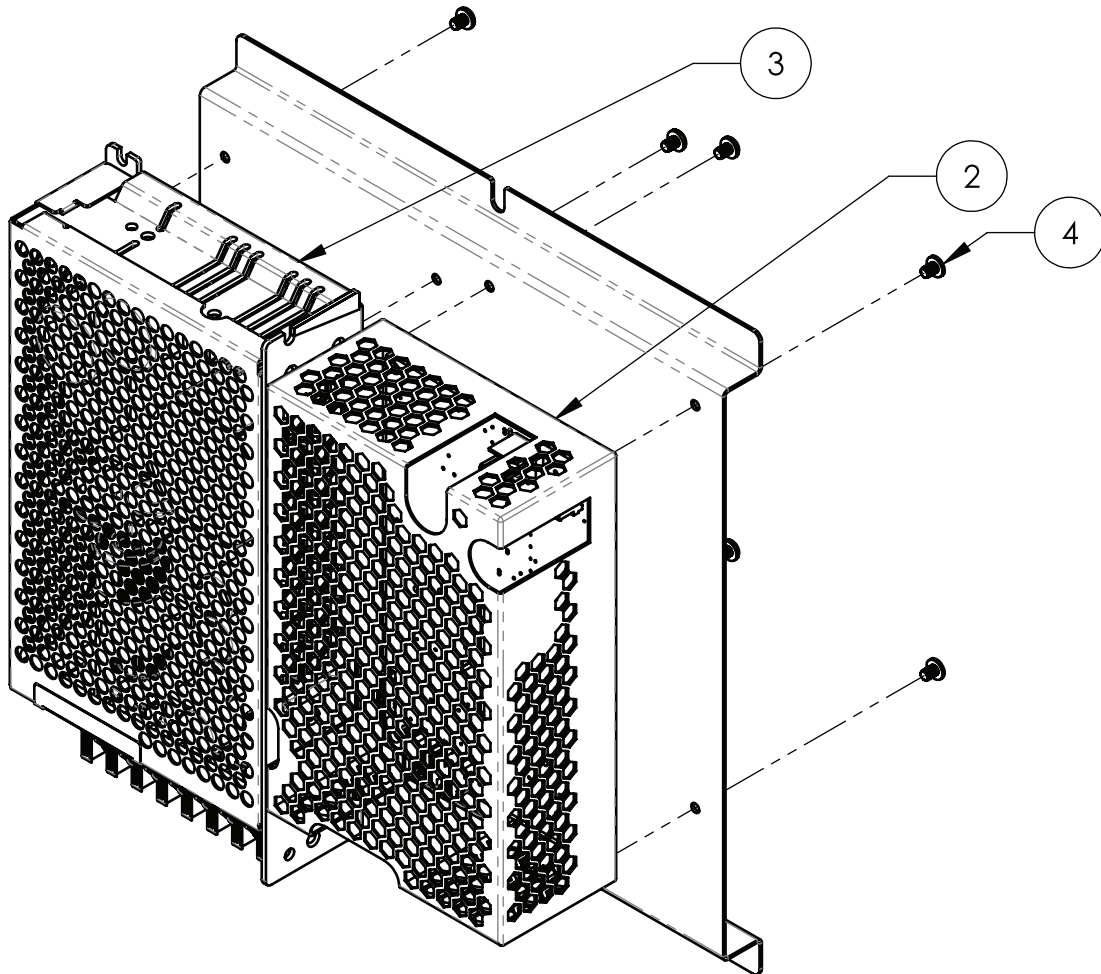


## CHASSIS COMPONENTS - 1 (CONTINUED)

ITEM	QTY	DESCRIPTION	PART NO.	NOTES
22	1	BUSHING, STRAIN RELIEF (LTCG M25)	<a href="#">05746.0001</a>	
23	1	POWER CORD, 10-3 30A/250V FAST CUP	50211.0001	
25	2	SWITCH, INTERRUPT SPST - NO SPST-NC	<a href="#">50573.0001</a>	
30	1	SWITCH, 125/250V 50A DBL POLE	<a href="#">38894.0001</a>	
33	1	BRACKET WLDMT, DOOR SAG	<a href="#">54996.0010</a>	
38	1	GRINDER MODULE ASSY, BTC FAST	55318.0000	
42	4	NUT, KEPS .25-20 ZINC PLTD	<a href="#">23700.0000</a>	
44	1	CBA, FAST BREW POWER	<a href="#">55253.1000</a>	
45	1	CBA, FAST BREW I/O	<a href="#">55195.1000</a>	
47	18	SPACER, NYLON-SELF RETNG STACK	<a href="#">32530.0000</a>	
57	27	SCREW, PNH SLTD W/SERR #8-32X.38	<a href="#">02308.0000</a>	
69	1	RELAY, 240V DPST	<a href="#">37711.0001</a>	

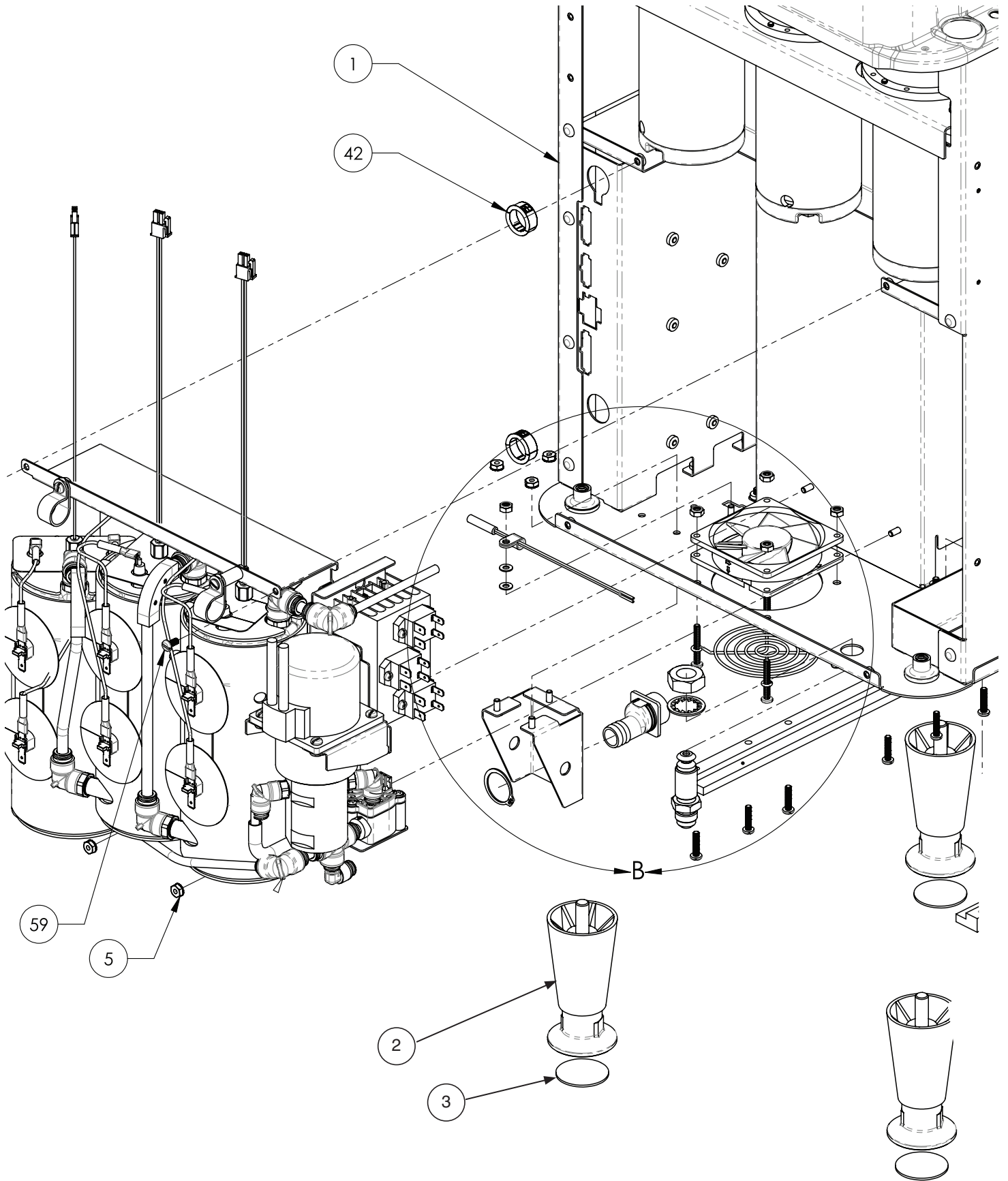


Early Style



## CHASSIS COMPONENTS - 1

ITEM	QTY	DESCRIPTION	PART NO.	NOTES
2	1	POWER SUPPLY, 48V DC 4.0A 300W	<a href="#">33363.0010</a>	
3	1	POWER SUPPLY, 24V DC 6.5A 150W 1 PHASE	<a href="#">33363.1006</a>	
4	8	SCREW, PAN HEAD M3 X 4 ZP	<a href="#">24003.0201</a>	
	1	WIRING HARN, 24V, POWER SUPPLY	<a href="#">55222.0000</a>	Not illustrated
	1	WIRING HARN, MAIN BTC FAST CUP	<a href="#">55226.0001</a>	Not illustrated

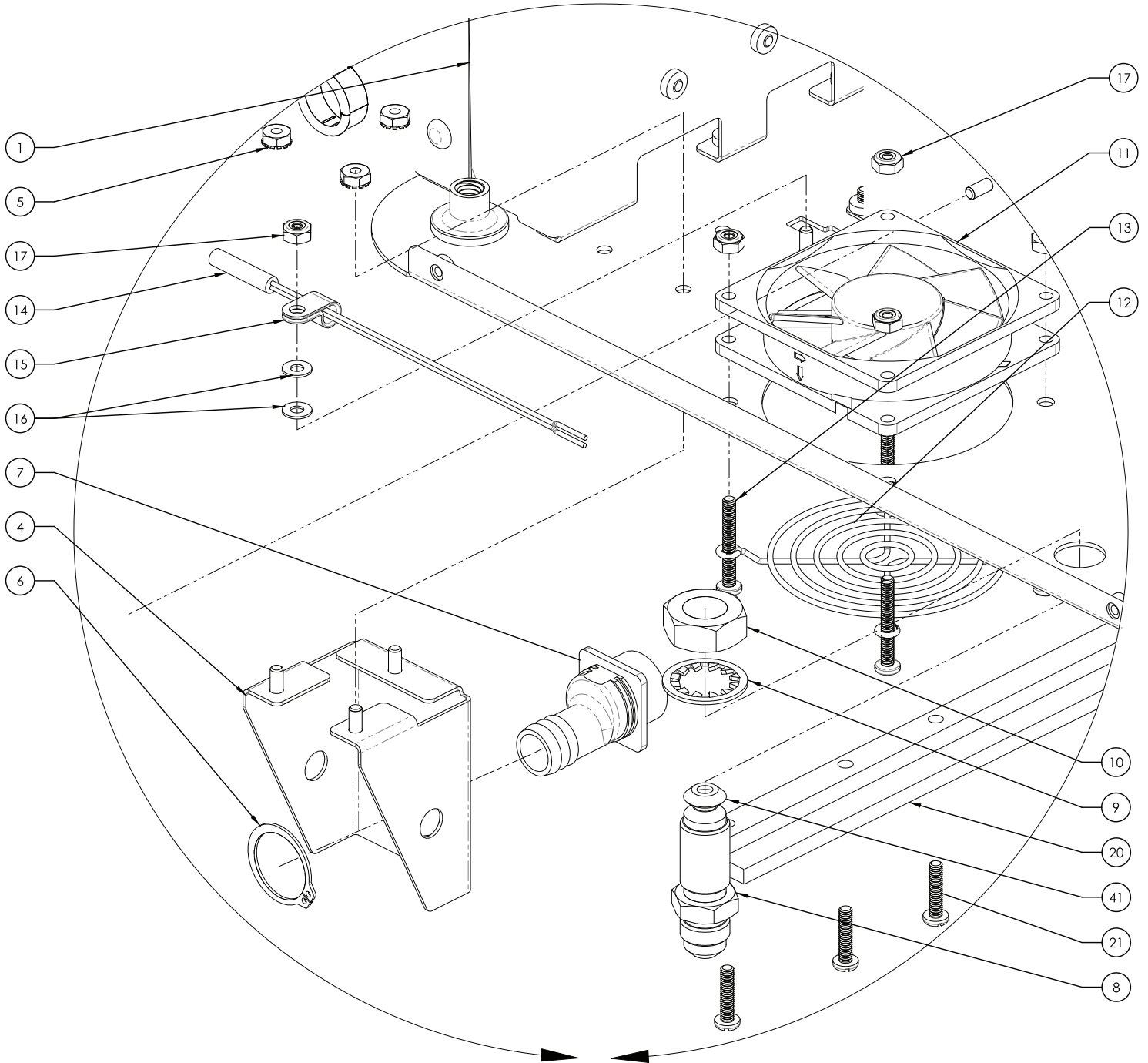


## CHASSIS COMPONENTS - 2 (CONTINUED)

ITEM	QTY	DESCRIPTION	PART NO.	NOTES
1	1	ASSY, CHASSIS		
2	4	LEG, NICKEL PLATED	40041.0000	
	4	LEG, BLK/NICKEL PLATED	40041.0002	
3	4	PAD, ANTI SKID	40042.0000	
5	8	NUT, KEPS #8-32 ZINC PL	00970.0000	
42	2	BUSHING, OCB-875 NYL BLK.671ID	00606.0000	
59	27	SCREW, PNH SLTD W/SERR #8-32X.38	02308.0000	

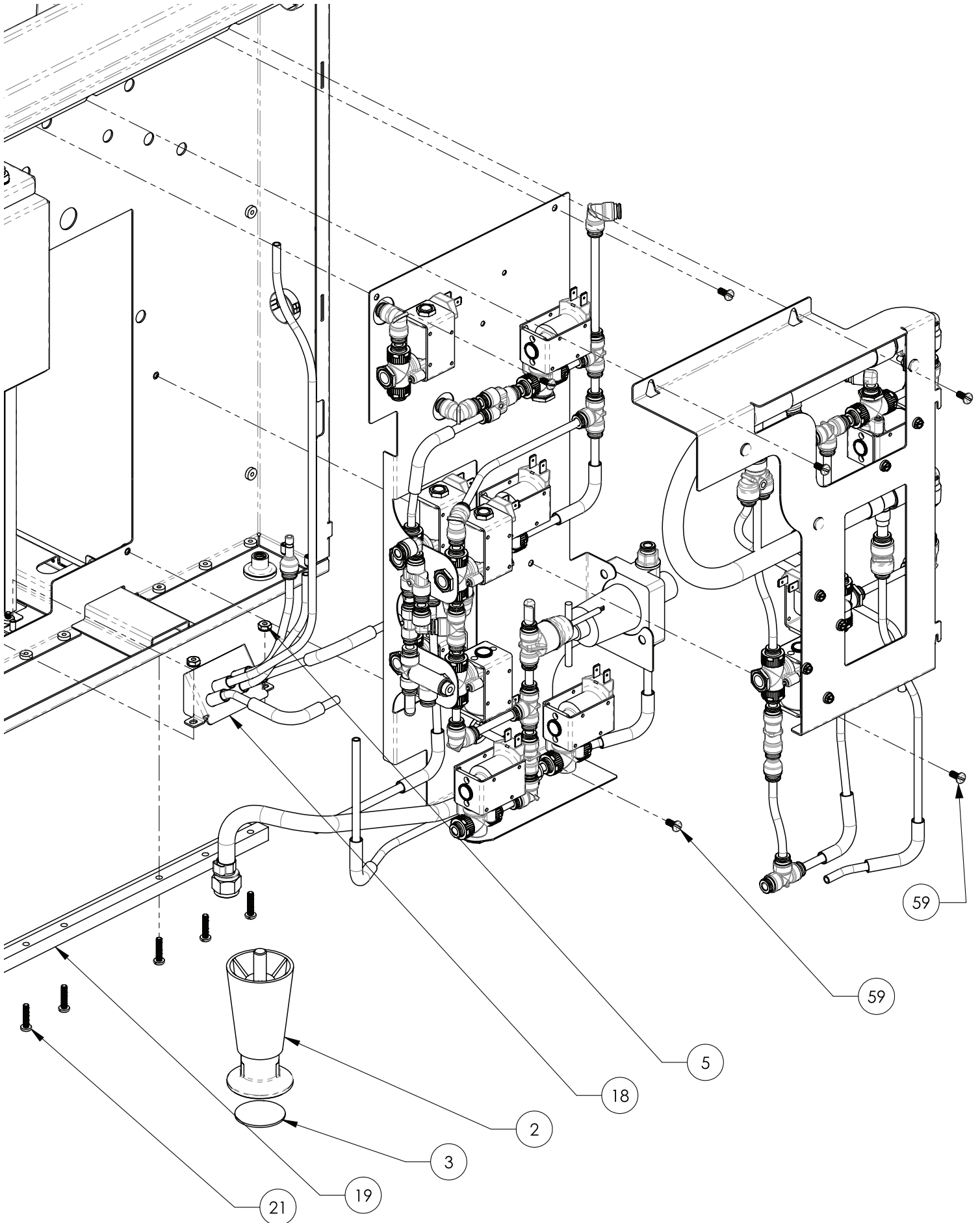


(DETAIL)



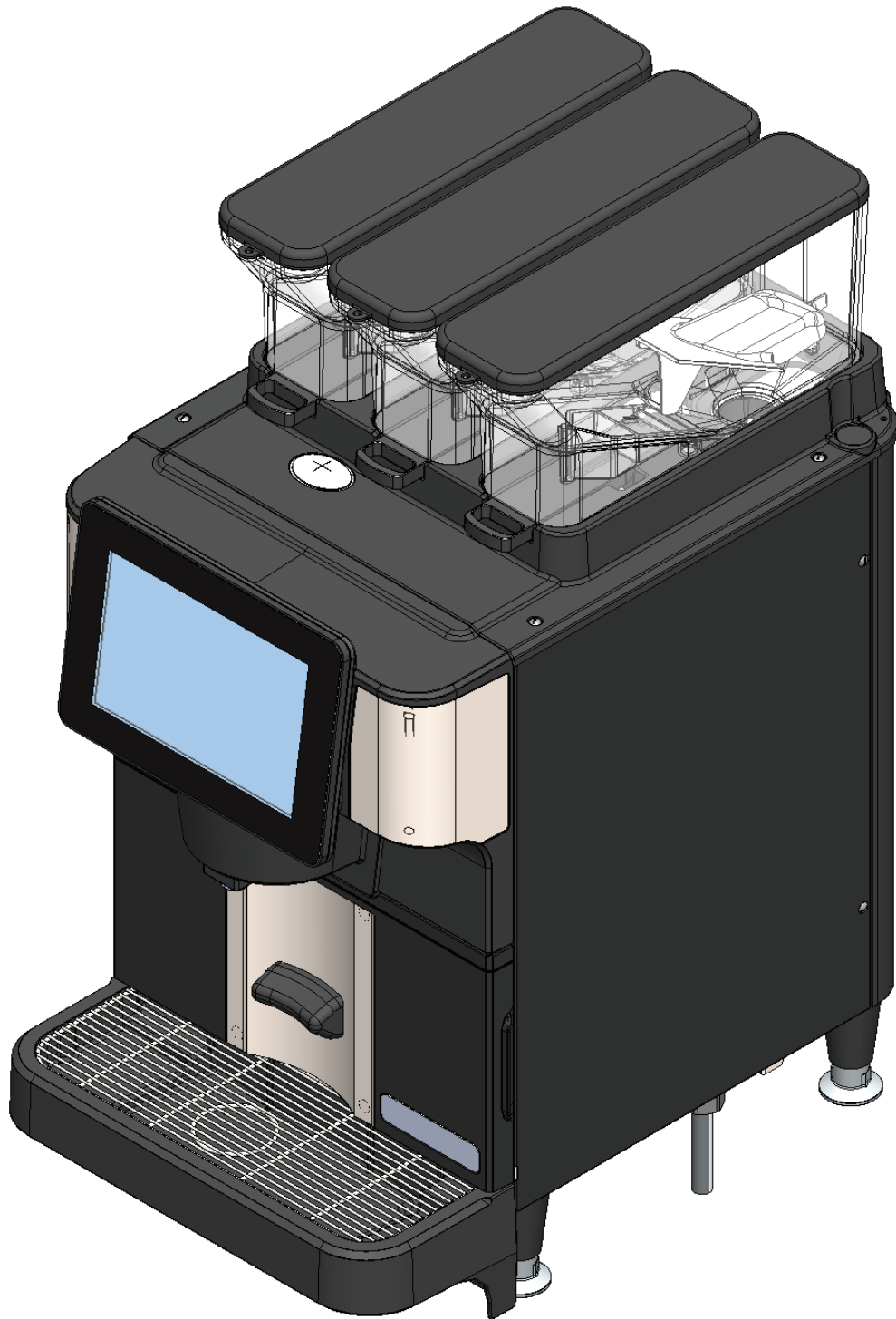
## CHASSIS COMPONENTS - 2 (CONTINUED)

ITEM	QTY	DESCRIPTION	PART NO.	NOTES
4	1	BRACKET WLDMT, WATER INLET BULKHEAD	55349.0001	
5	8	NUT, KEPS #8-32 ZINC PL	00970.0000	
6	1	RING, RETAINING 63/64 SST	56760.0000	
7	1	FITTING, DRAIN SST	55726.0001	
8	1	FITTING, BULKHEAD-MALE.38FLARE	12756.0000	
9	1	LOCK WASHER, INTL T-.625-ZINC	01514.0000	
10	1	NUT, HEX- .625-18 BRASS	12757.0000	
11	1	FAN ASSY, 24V DC 80MM W/LOCK SIGNAL	56239.0010	
12	1	GUARD, CABINET FAN 80MM	34010.0003	
13	6	SCREW, PAN SLTD SST 8-32X1.25	55666.0000	
14	1	REED SWITCH ASSY, MCR	49078.0000	
15	1	CLAMP, CABLE - NYLON NAT .250 ID	05920.0000	
16	2	WASHER,FLAT-.174IDx.375OD-SST	01501.0000	
17	5	NUT, ELASTIC LOCK #8-32 SST	00991.0006	
20	1	SLIDE, DRIP TRAY	55724.0002	
21	12	SCREW, PNH SLTD SST 8-32x.75	01370.0000	
41	1	GASKET, .375 FLARE - COPPER	32359.0000	



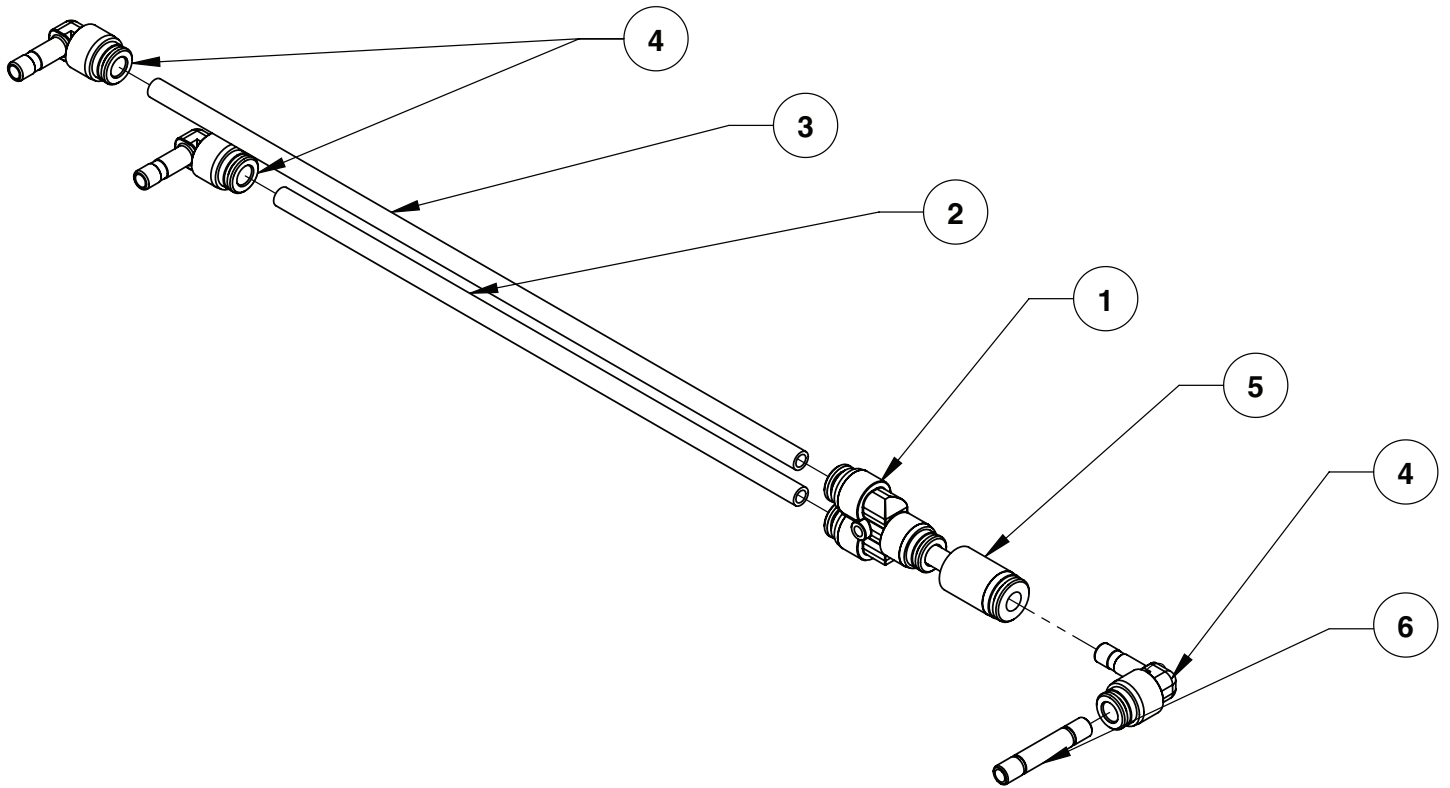
## CHASSIS COMPONENTS - 2

ITEM	QTY	DESCRIPTION	PART NO.	NOTES
2	4	LEG, NICKEL PLATED	<a href="#">40041.0000</a>	
	4	LEG, BLK/NICKEL PLATED	40041.0002	
3	4	PAD, ANTI SKID	<a href="#">40042.0000</a>	
5	8	NUT, KEPS #8-32 ZINC PL	<a href="#">00970.0000</a>	
18	1	BRACKET ASSY, WLDMT & TUBES	56464.0000	
19	1	SLIDE, DRIP TRAY	<a href="#">55724.0002</a>	
21	12	SCREW, PNH SLTD SST 8-32x.75	<a href="#">01370.0000</a>	
59	27	SCREW, PNH SLTD W/SERR #8-32X.38	<a href="#">02308.0000</a>	



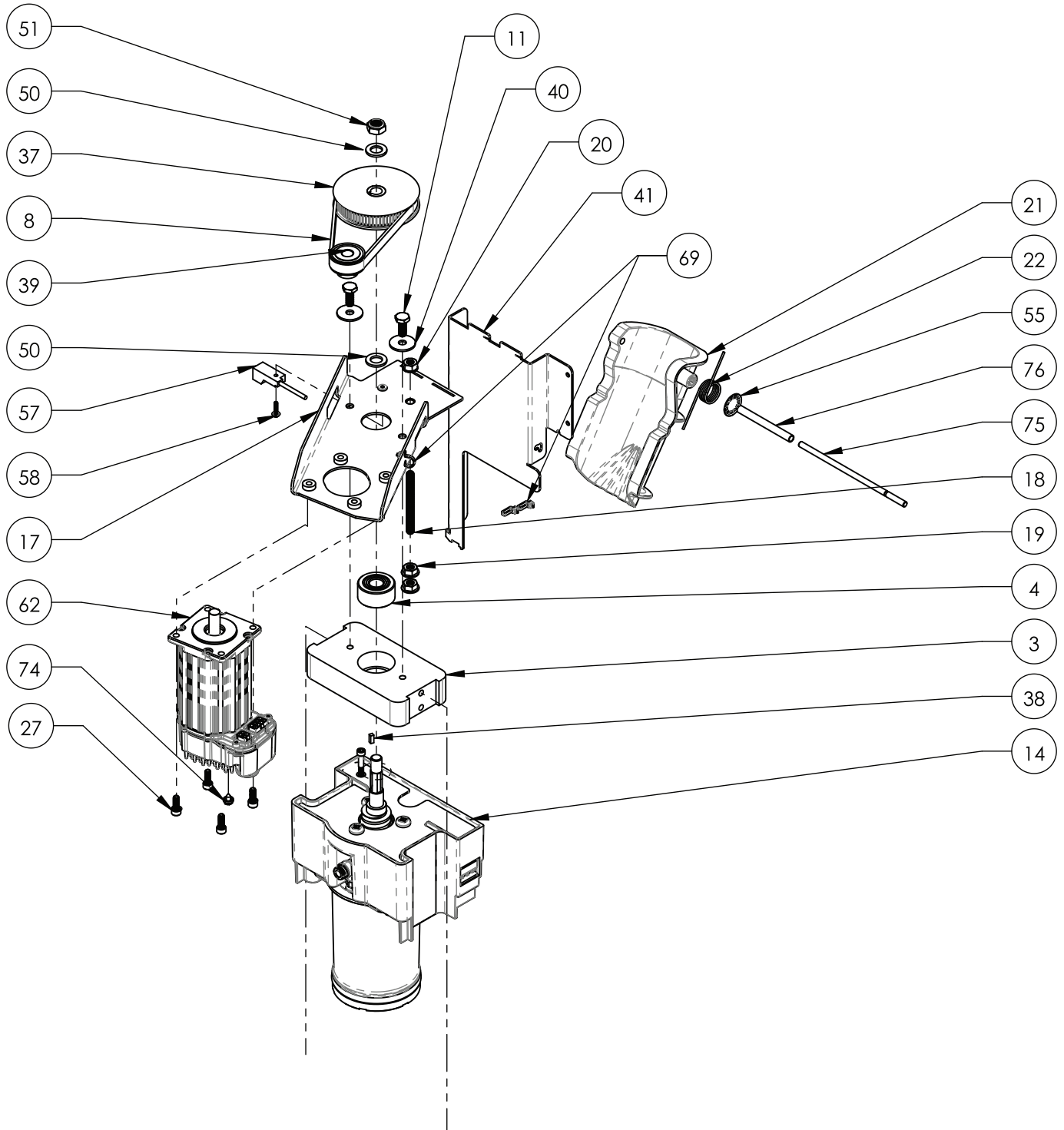
## TABLE OF CONTENTS - LATER STYLE

Brew Chamber Plumbing - Generation 3 Later Style).....	78
Brew Module - Generation 3 (Later Style).....	80
Valve Panel Assembly (Later Style).....	86
Valve Cluster Plumbing Assembly (Later Style).....	88
Plumbing Assembly Upper Fast Brew (Later Style).....	90
Plumbing Assembly Chiller Drain (Later Style).....	92
Plumbing Chiller Assembly (Later Style).....	94
Plumbing Inlet/Drain Valve Assembly (Later Style).....	96
Drain Manifold (Later Style).....	98
Valve Panel Nomenclature (Later Style).....	100
Tank Bracket Assembly (Later Style).....	102
Chassis Components - 1 (Later Style).....	106
Chassis Components - 2 (Later Style).....	114



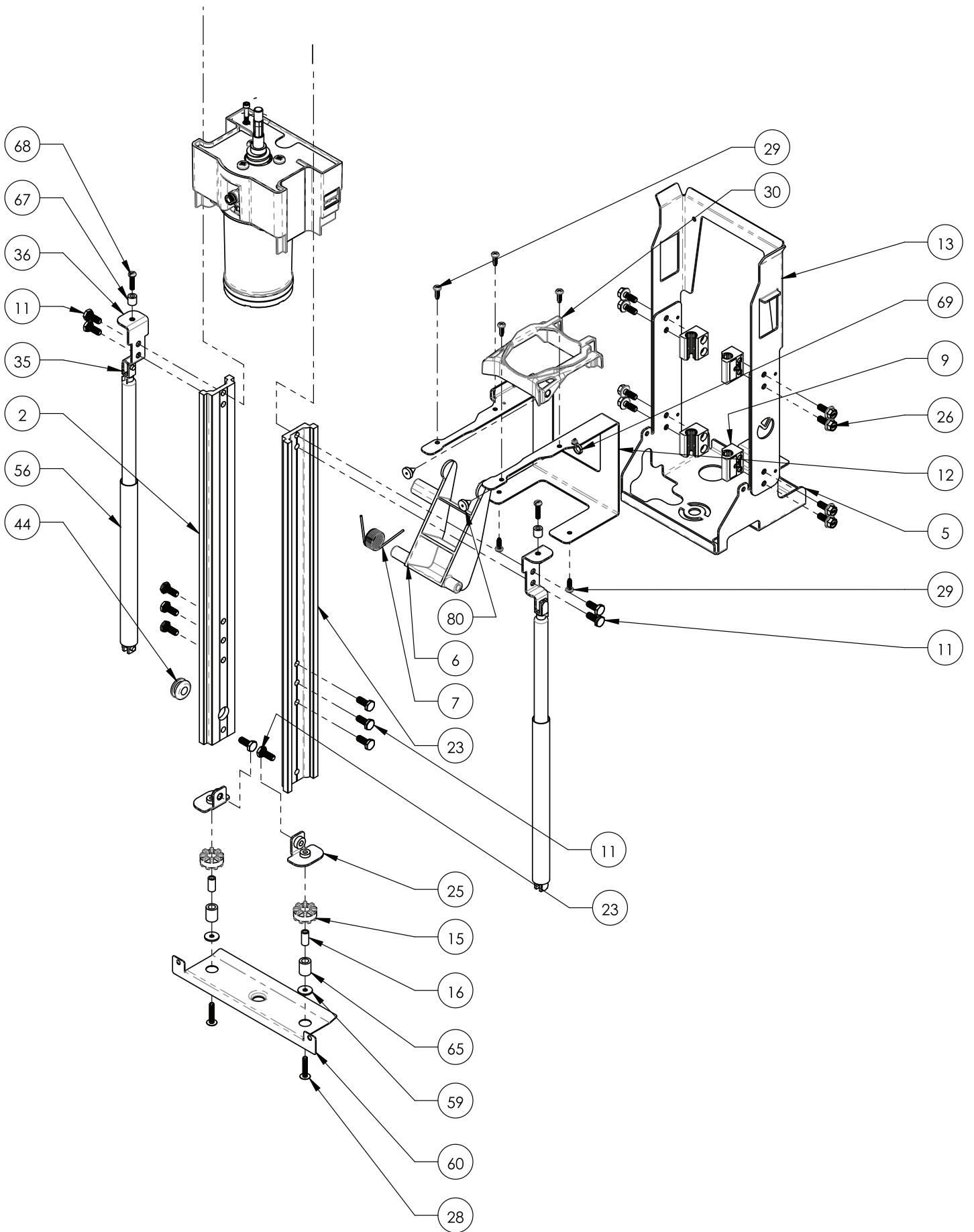
### BREW CHAMBER PLUMBING - GENERATION 3

ITEM	QTY	DESCRIPTION	PART NO.	NOTES
1	1	FITTING, Y 6MM PPSU	<a href="#">53416.0000</a>	
2	1	TUBE, 6MM OD X 8.25 LG		Order #7
3	1	TUBE, 6MM OD X 10.25 LG		Order #7
4	3	FITTING, ELBOW 6MM TUBE 6MM STEM PPSU	<a href="#">53998.0000</a>	
5	1	FILTER, SCREEN UNION 6MM	<a href="#">54091.0000</a>	
6	1	FITTING, UNION STEM SST	<a href="#">53409.0000</a>	
7	1	TUBING, 1 FOOT - 6mm	<a href="#">55176.1000</a>	Not illustrated
	1	TUBING, 3 FEET - 6mm	<a href="#">55176.1001</a>	Not illustrated
	1	TUBING, 10 FEET - 6mm	<a href="#">55176.1002</a>	Not illustrated



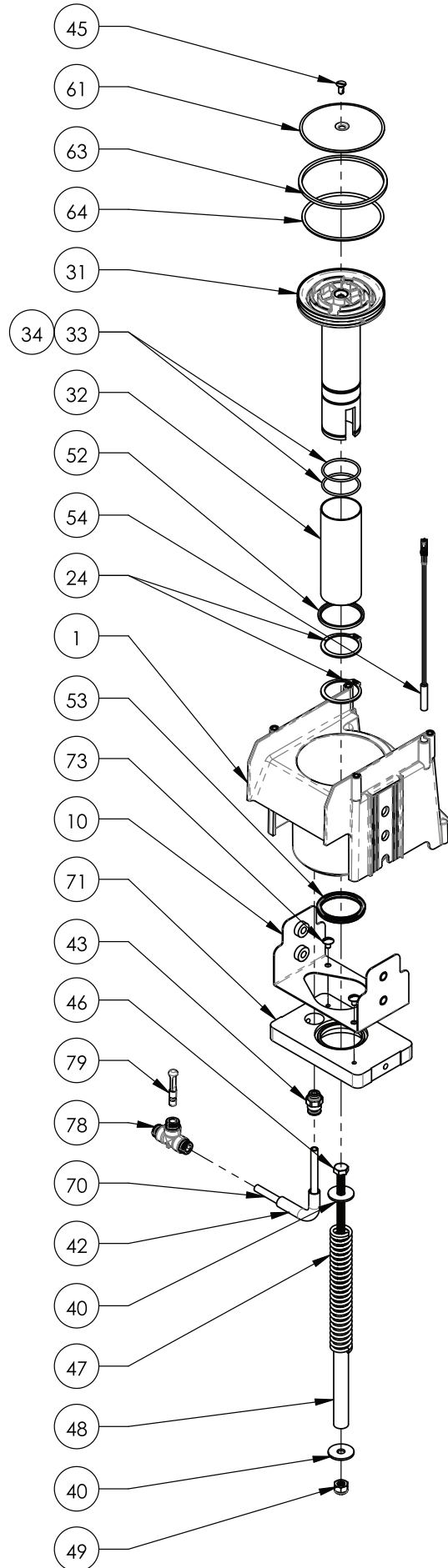
**BREW MODULE & PM KITS - GENERATION 3 (CONTINUED)**

ITEM	QTY	DESCRIPTION	PART NO.	NOTES
3	1	PLATE, BEARING SUPPORT		
4	1	BEARING, 12MM ID DBL ROW SEALED		
8	1	BELT, TIMING GT113 3 TOOTH		
11	14	SCREW, HEX HD .25 20X .63 LOCK	58693.0000	
14	1	LATCH ASSEMBLY		
17	1	BRACKET ASSY, FUNNEL		
18	1	SET SCREW, SST 1/4-20	55162.0000	
19	2	NUT, FLANGE 1/4 - 20	55854.0000	
20	1	NUT, KEPS .25 - 20 ZINC PLTD	23700.0000	
21	1	FUNNEL, GROUNDS FLUTED		
22	1	SPRING, TORSION		
27	4	SCREW,, SKT SST. LKG 10-32 X .5	55865.0001	
37	1	PULLEY, TIMINGBELT 72 TEETH 10MM BORE	57544.0001	
38	1	KEY, 3MM SQ X .5 UNDERSIZED		
39	1	PULLEY, TIMING BELT 24 TEETH .375 MM BORE		
40	4	WASHER, FLAT .266 X .875 SST	57954.0000	
41	1	BRACKET FUNNEL SUPPORT		
50	2	WASHER, M10 X 19 MM OD SST		
51	1	NUT, 3/8 - 16 LOCKING	55047.0002	
55	1	PUSH RING, EXTERNAL 1.0 DIA SHAFT		
57	1	SENSOR ASSY, PROXIMITY	48985.0000	
58	1	SCREW, #4-40 X .50 PH W.ISP LOCK WASHER	48817.0000	
62	1	MOTOR, DC SERVO W/SOFTWARE	54658.1003	
69	2	TIE, CABLE NYLON BLK 4.04 LG	36329.0000	
74	1	SCREW. HEX CRIMPTITE #6X.25	02332.0001	
75	1	SHAFT, GROUNDS FUNNEL		
76	1	SLEEVE, GROUNDS FUNNEL SHAFT		
	1	WIRING HARN, BREW MODULE	55235.0001	Not Illustrated
	1	KIT, FAST CUP 20K PM	55400.2004	Not Illustrated
	1	Includes:		
	1	O-RING, 334 SILICONE	55166.0000	
	1	SCREEN, SST FAST CUP UPPER PISTON	55360.0005	
	1	NOZZLE, LAMINAR FLOW DISPENSE	55664.0000	
	1	O-RINGS, FAST CUP DRIP TRAY	56269.1000	
	1	INSTRUCTIONS, 20K PM KIT FAST CUP	57538.0004	
	1	KIT, NONREMOVABLE SWIPER	58751.1100	
	1	PM KIT, FAST CUP 80K	55400.2005	Not Illustrated
	1	Includes:		
	1	NOZZLE, LAMINAR FLOW DISPENSE	55664.0000	
	1	O-RINGS, FAST CUP DRIP TRAY	56269.1000	
	1	KIT, NEW FC BREW MODULE ASSY COMPLETE	54532.1040	



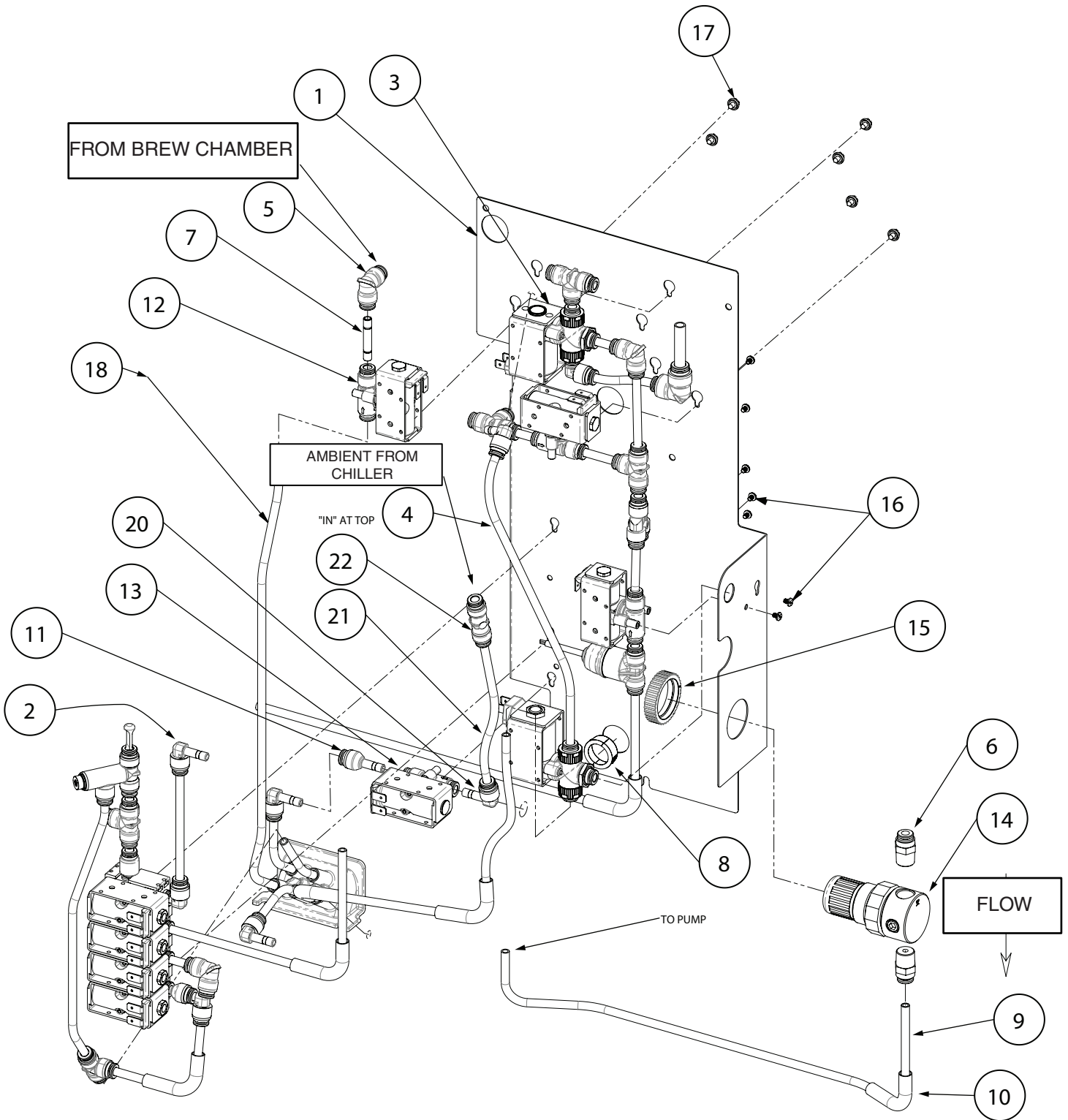
### BREW MODULE- GENERATION 3 (CONTINUED)

ITEM	QTY	DESCRIPTION	PART NO.	NOTES
2	1	RAIL, LEFT HAND	54527.0002	
5	1	BRACKET, LOWER SLIDE		
6	1	LEVER, PUCK EJECTOR	54510.0000	
7	1	SPRING, TORSION 7.5 IN-LBS SST		
9	4	BEARING, LINEAR GUIDE		
11	14	SCREW, HEX HD .25-20 X .63 LOCK	58693.0000	
12	1	BRACKET, SWIPER		
13	1	BRACKET, UPPER SLIDE	54524.0000	
15	2	BUSHING, VIBRATION DAMPING		
16	2	SPACER, VIBRATION MOUNT		
23	1	RAIL, RIGHT HAND	54528.0002	
25	2	BRACKET WELDMENT, LOWER MOUNT		
26	8	BOLT, M6 X 1 X 16MM	54661.0001	
28	2	SCREW	54844.0000	
29	6	SCREW, #8 X .50 TYPE 25	55855.0000	
30	1	KIT, NONREMOVABLE SWIPER	58751.1100	
35	2	SPRING ASSY GAS 150MM	54806.0001	
36	2	BRACKET ASSY, GAS SPRING		
44	2	GROMMET, .375 ID		
56	2	KIT, TUBE POLYETHYLENE 8.00IN LG	55175.1000	
59	2	WASHER, .188 ID X .625 OD SST	43951.0000	
60	1	BRACKET, BREW CHAMBER MOUNT		
65	2	TUBE, SPACER VIBRATION DAMPER 0.62 IN LG		
67	2	SPACER, NYL .19 ID X .37 ODX .375	01533.0005	
68	2	SCREW, PNH SLTED SST 8-32 X .75	01370.0000	
69	2	TIE, CABLE - NYLON BLK 4.04 LG	36329.0000	



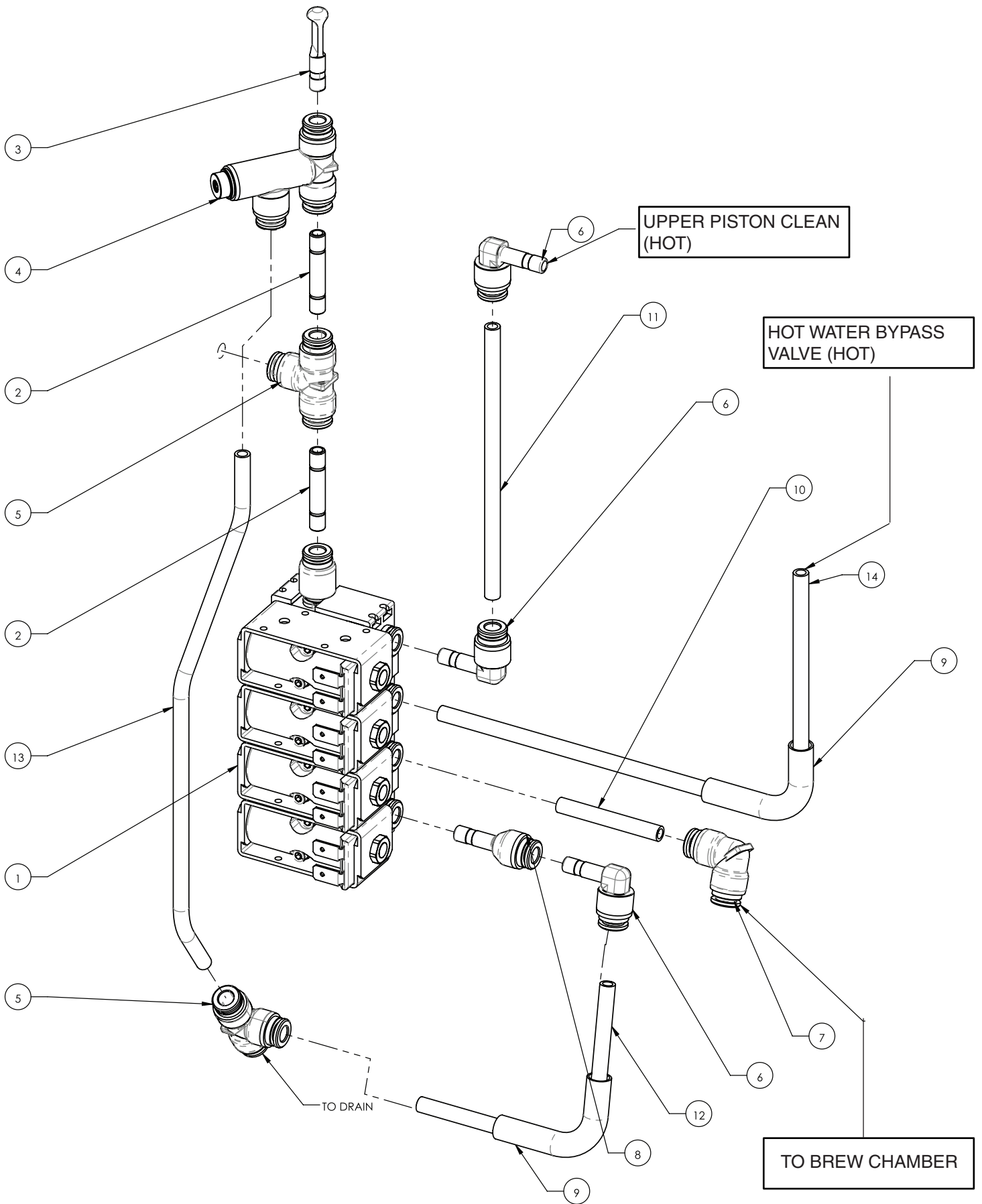
### BREW MODULE - GENERATION 3

ITEM	QTY	DESCRIPTION	PART NO.	NOTES
1	1	CHAMBER, BREW		
10	1	WELDMENT, BREW CHAMBER SUPPORT		
24	2	RING, RETAINING 1.156	57955.0000	
31	1	PISTON, LOWER	54507.0010	
32	1	TUBE, LOWER PISTON 1.375 OD SST		
33	2	O-RING #025 BUNA-N 70 DUR	57953.0000	
34		LUBRIFILM TUBES, 4OZ HAYNES	M2550.0000	
40	4	WASHER, FLAT .266 X .875 SST	57954.0000	
42	1	FLOW BEND TUBE, SURE TAMP	34282.0003	
43	1	FITTING, 6MM	55171.0000	
45	1	SCREW, FLH SLTD SST 8-32x.38 W/ LOCK	01359.0002	
46	1	SCREW, HEX 1/4 - 20 X 5		
47	1	SPRING, LOWER PISTON		
48	1	SPACER, NYLON TUBE .5 OD X 4.5 IN LG		
49	1	NUT, ELASTIC LOCK .25 - 20 ZINC	00987.0001	
52	1	SEAL, SHAFT SCRAPER	58723.0000	
53	1	SEAL, ENERGIZED	57881.0000	
54	1	REED SWITCH ASSY	49078.0000	
61	1	SCREEN, SST FAST CUP LOWER PISTON	55361.0000	
63	1	SEAL, PISTON SCRAPER	57683.0000	
64	1	SEAL, PISTON ENERGIZER	57684.0001	
70	1	TUBE, 6MM OD X 5.5 LG		Order #80
71	1	BLOCK, CHAMBER MOUNT		
73	2	SCREW, TRH SLTD SST 8-32 X .25 LG	01311.0001	
78	1	FITTING, TEE 6MM PPSU	53411.0000	
79	1	PLUG, PUSH TO CONN 6MM OD	54811.0000	
80	-	TUBING, 1 FOOT - 6mm	55176.1000	Not Illustrated
	-	TUBING, 3 FOOT - 6mm	55176.1001	Not Illustrated
	-	TUBING, 10 FOOT - 6mm	55176.1002	Not Illustrated



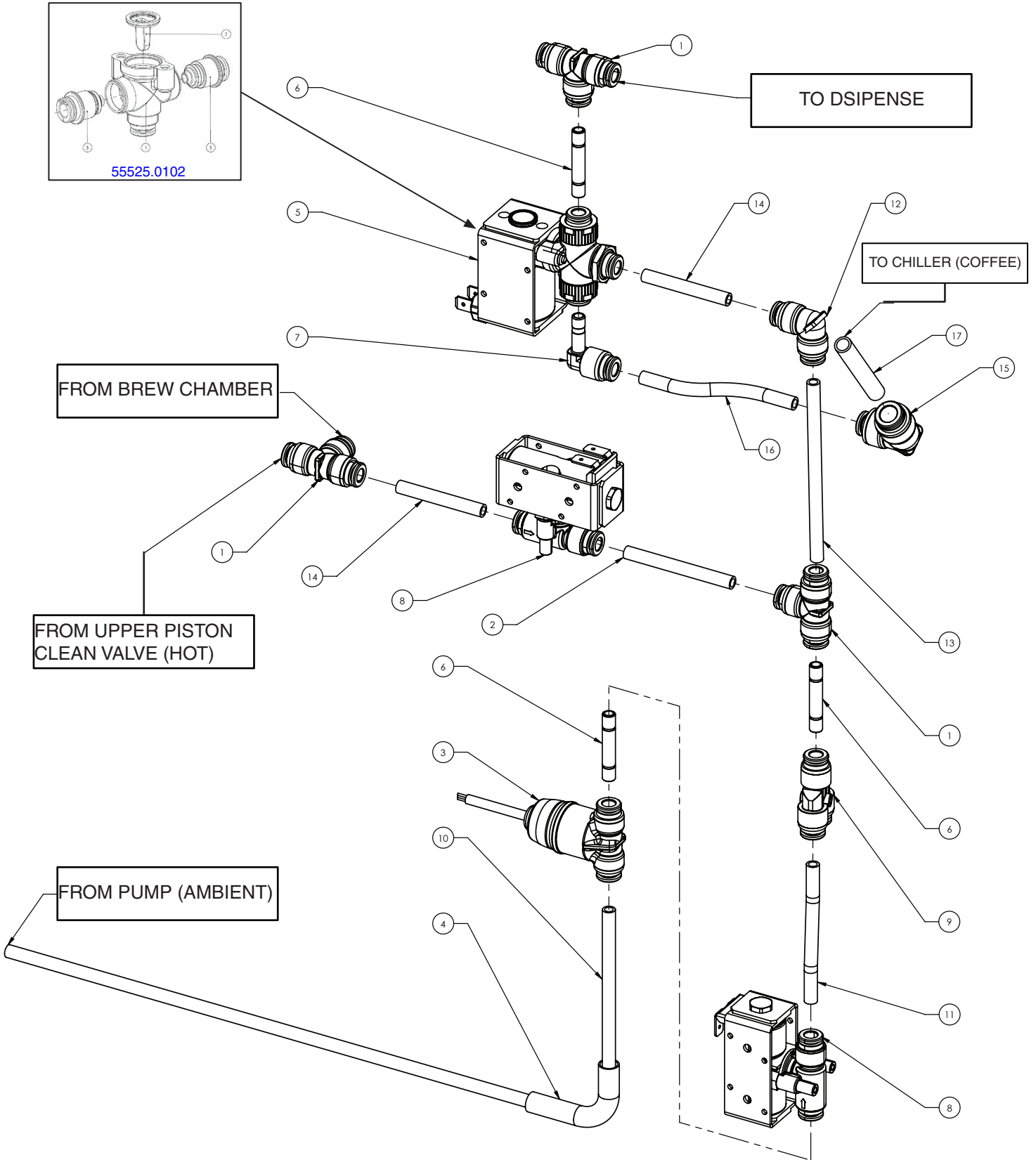
## VALVE PANEL ASSEMBLY LATER STYLE

ITEM	QTY	DESCRIPTION	PART NO.	NOTES
1	1	BRACKET, VALVE MOUNT		
2	1	ASSY, PLUMBING VALVE CLUSTER		
3	1	ASSY, PLUMBING UPPER FAST BREW		
4	1	ASSY, PLUMBING CHILLER DRAIN		
5	1	ELBOW, 90° 6MM CONNECTOR	55523.0000	
6	2	FITTING, 1/4 NPT TAPED TO 6MM SST	57870.0000	
7	1	FITTING, UNION STEM SST	53409.0000	
8	1	BUSHING, OCB-875 NYL BLK .671 ID	00606.0000	
9	1	TUBE, 6MM OD X 17.0 LG		Order #23
10	1	FLOW BEND TUBE, SURE TAMP	34282.0003	
11	1	THROTTLE, FIXED PPSU 6MM	55546.0000	
12	1	VALVE, 24V 2.0MM ORIFICE 2WAY N.O.	57869.0000	
13	1	VALVE, 24V 2.5MM ORIFICE 2WAY N.C.	57869.0001	
14	1	REGULATOR, WATER 0-125 PSIG BRASS	53762.0000	
15	1	NUT, PLASTIC MOUNTING NORGREN	54572.0000	
16	7	SCREW, PAN HEAD M3 X 4 ZP	24003.0201	
17	6	SCREW,HEX CRIMPTITE"AB"#6x.25	02332.0001	
18	1	TUBE ASSY, MANIFOLD & TUBES		
19	1	WIRING HARN, MAIN VALVE	55237.0001	Not Illustrated
20	1	FITTING, ELBOW 6MM TUBE 6MM STEM PPSU	53998.0000	
21	1	TUBE, 6MM OD X 7.0 LG		Order #23
22	1	CHECK VALVE, 6MM TUBE IN OUT PPSU	55042.0000	
23	-	TUBING, 1 FOOT - 6mm	55176.1000	Not Illustrated
	-	TUBING, 3 FOOT - 6mm	55176.1001	Not Illustrated
	-	TUBING, 10 FOOT - 6mm	55176.1002	Not Illustrated



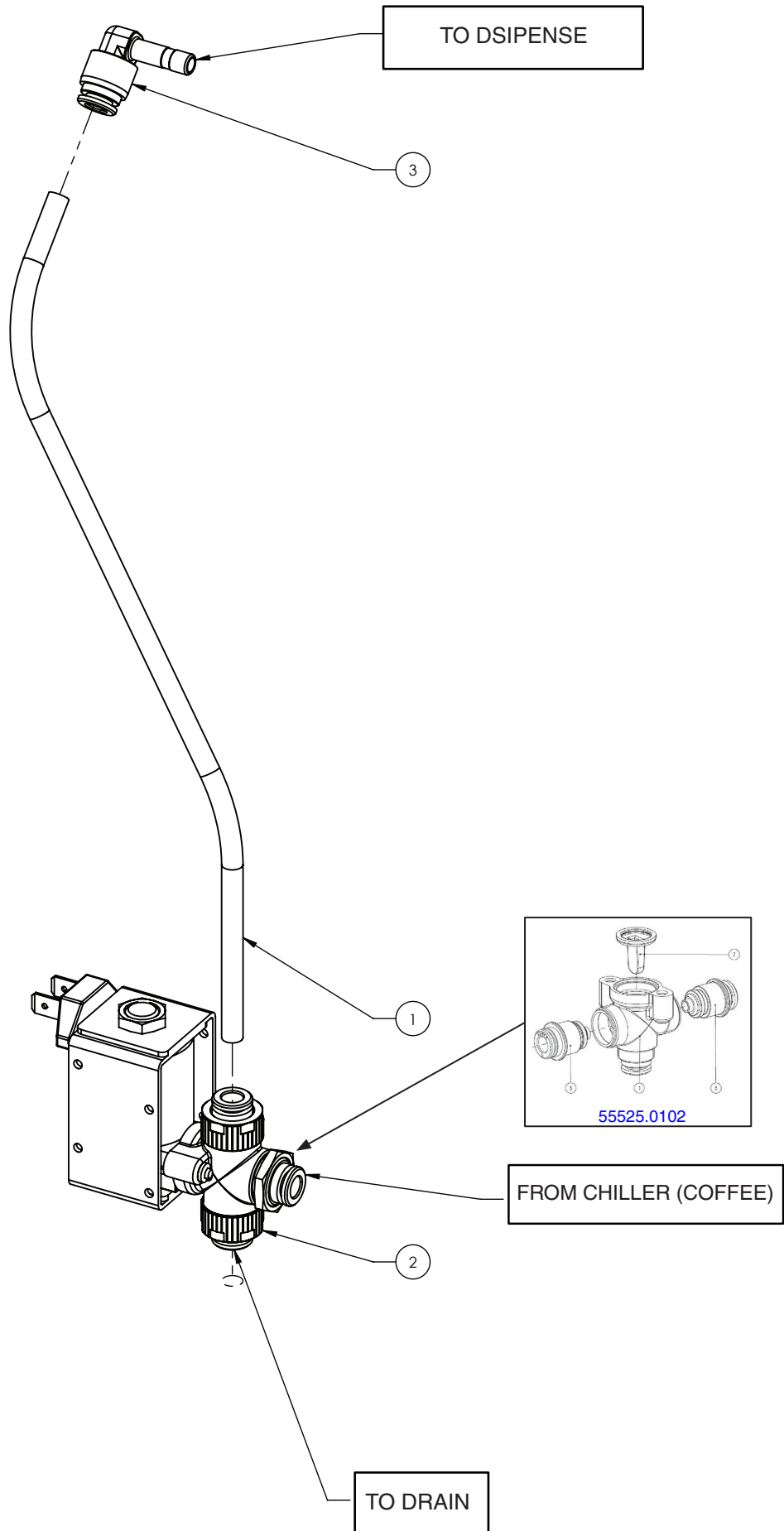
## VALVE CLUSTER PLUMBING ASSEMBLY LATER STYLE

ITEM	QTY	DESCRIPTION	PART NO.	NOTES
1	1	VALVE, BATTERY 4 SOLENOID	57868.0000	
2	2	FITTING, UNION STEM SST	<a href="#">53409.0000</a>	
3	1	PLUG, PUSH TO CONN 6MM OD	54811.0000	
4	1	VALVE, PRESSURE CONTROL 6MM	<a href="#">55524.0000</a>	
5	2	FITTING, TEE 6MM PPSU	<a href="#">53411.0000</a>	
6	3	FITTING, ELBOW 6MM TUBE 6MM STEM PPSU	<a href="#">53998.0000</a>	
7	1	ELBOW, 90° 6MM CONNECTOR	<a href="#">55523.0000</a>	
8	1	THROTTLE, FIXED PPSU 6MM	<a href="#">55546.0000</a>	
9	2	FLOW BEND TUBE, SURE TAMP	<a href="#">34282.0003</a>	
10	1	TUBE, 6MM OD X 1.75 LG	55176.0007	Order #15
11	1	TUBE, 6MM OD X 4.7 LG	55176.0009	Order #15
12	1	TUBE, 6MM OD X 5.5 LG	55176.0016	Order #15
13	1	TUBE, 6MM OD X 9.2 LG	55176.0025	Order #15
14	1	TUBE, 6MM OD X 10.25 LG	55176.0017	Order #15
15	-	TUBING, 1 FOOT - 6mm	<a href="#">55176.1000</a>	Not Illustrated
	-	TUBING, 3 FOOT - 6mm	<a href="#">55176.1001</a>	Not Illustrated
	-	TUBING, 10 FOOT - 6mm	<a href="#">55176.1002</a>	Not Illustrated

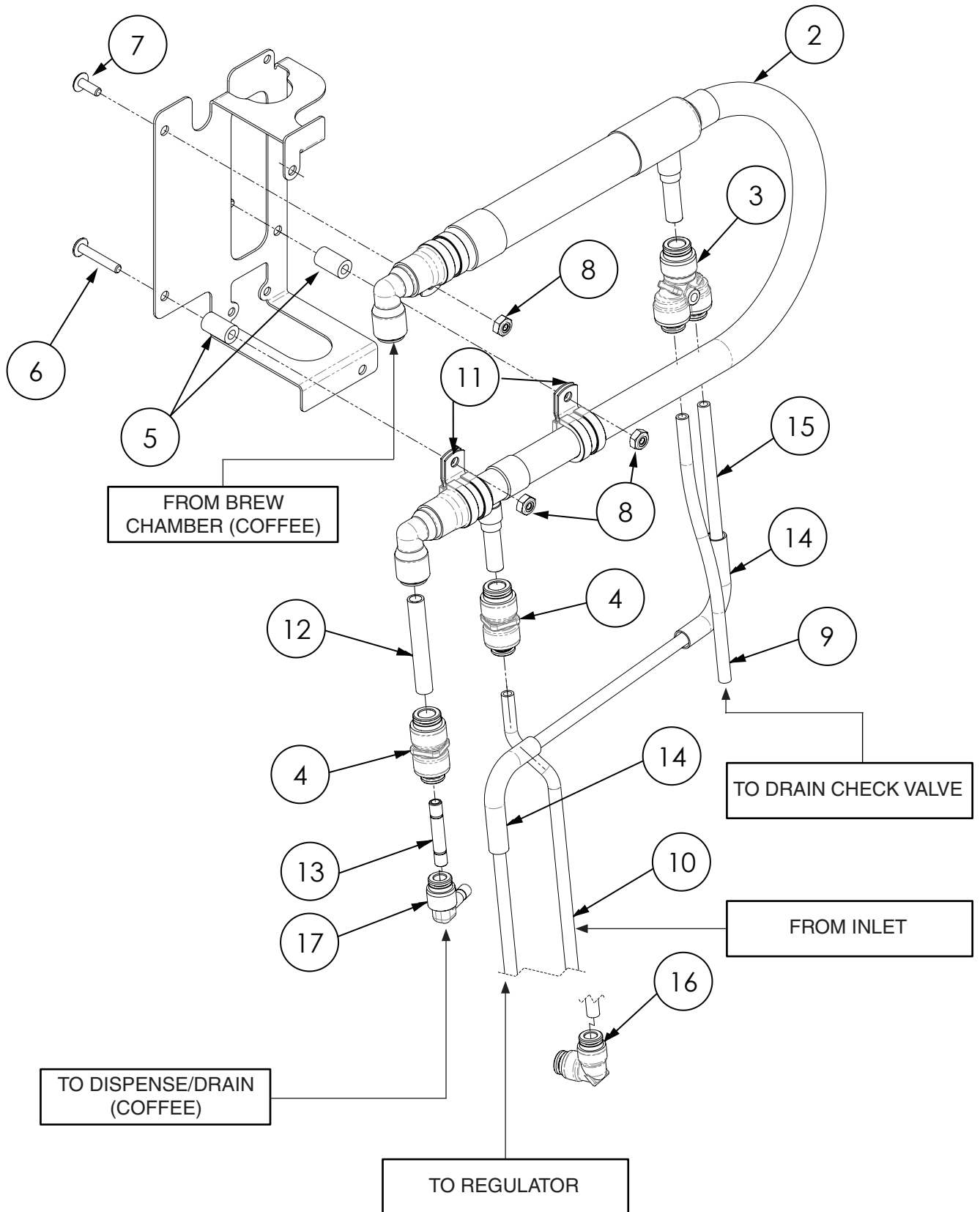


## PLUMBING ASSEMBLY UPPER FAST BREW LATER STYLE

ITEM	QTY	DESCRIPTION	PART NO.	NOTES
1	3	FITTING, TEE 6MM PPSU	<a href="#">53411.0000</a>	
2	1	TUBE, 6MM OD X 2.2 LG		Order #18
3	1	PRESSURE SENSOR ASSY, 6MM TUBE	<a href="#">54004.0001</a>	
4	1	FLOW BEND TUBE, SURE TAMP	<a href="#">34282.0003</a>	
5	1	VALVE, SOLENOID 24V 3 WAY	<a href="#">55525.0002</a>	
	1	VALVE KIT, SOLENOID 24V 3 WAY	<a href="#">55525.0102</a>	Valve Kit (Re-build) Includes The Following Three items
	1	1. 3/2 WAY COMPLETE VALVE BODY		
	2	2. DIAPHRAM 3. CONNECTION UNIT		
6	3	FITTING, UNION STEM SST	<a href="#">53409.0000</a>	
7	1	FITTING, ELBOW 6MM TUBE 6MM STEM PPSU	<a href="#">53998.0000</a>	
8	2	VALVE, 24V 2.5MM ORIFICE 2WAY N.C.	57869.0001	
9	1	FITTING, Y 6MM PPSU	<a href="#">53416.0000</a>	
10	1	TUBE, 6MM OD X 17.0 LG		Order #18
11	1	TUBE, 6MM OD X 2.75 LG		Order #18
12	1	ELBOW, 90° 6MM CONNECTOR	<a href="#">55523.0000</a>	
13	1	TUBE, 6MM OD X 3.75 LG		Order #18
14	2	TUBE, 6MM OD X 1.75 LG		Order #18
15	1	ELBOW, 90° CONNECTOR PPSU 6/8MM	<a href="#">55541.0000</a>	
16	1	TUBE, PVDF 6MM OD X 3.0 LG		Order #18
17	1	TUBE, 8MM OD X 2.0 LG		Order #19
18	-	TUBING, 1 FOOT - 6mm	<a href="#">55176.1000</a>	Not Illustrated
	-	TUBING, 3 FOOT - 6mm	<a href="#">55176.1001</a>	Not Illustrated
	-	TUBING, 10 FOOT - 6mm	<a href="#">55176.1002</a>	Not Illustrated
19	-	TUBING, 1 FOOT - 8mm	<a href="#">55177.1000</a>	Not Illustrated
		TUBING, 3 FOOT - 8mm	<a href="#">55177.1001</a>	Not Illustrated
		TUBING, 10 FOOT - 8mm	<a href="#">55177.1002</a>	Not Illustrated





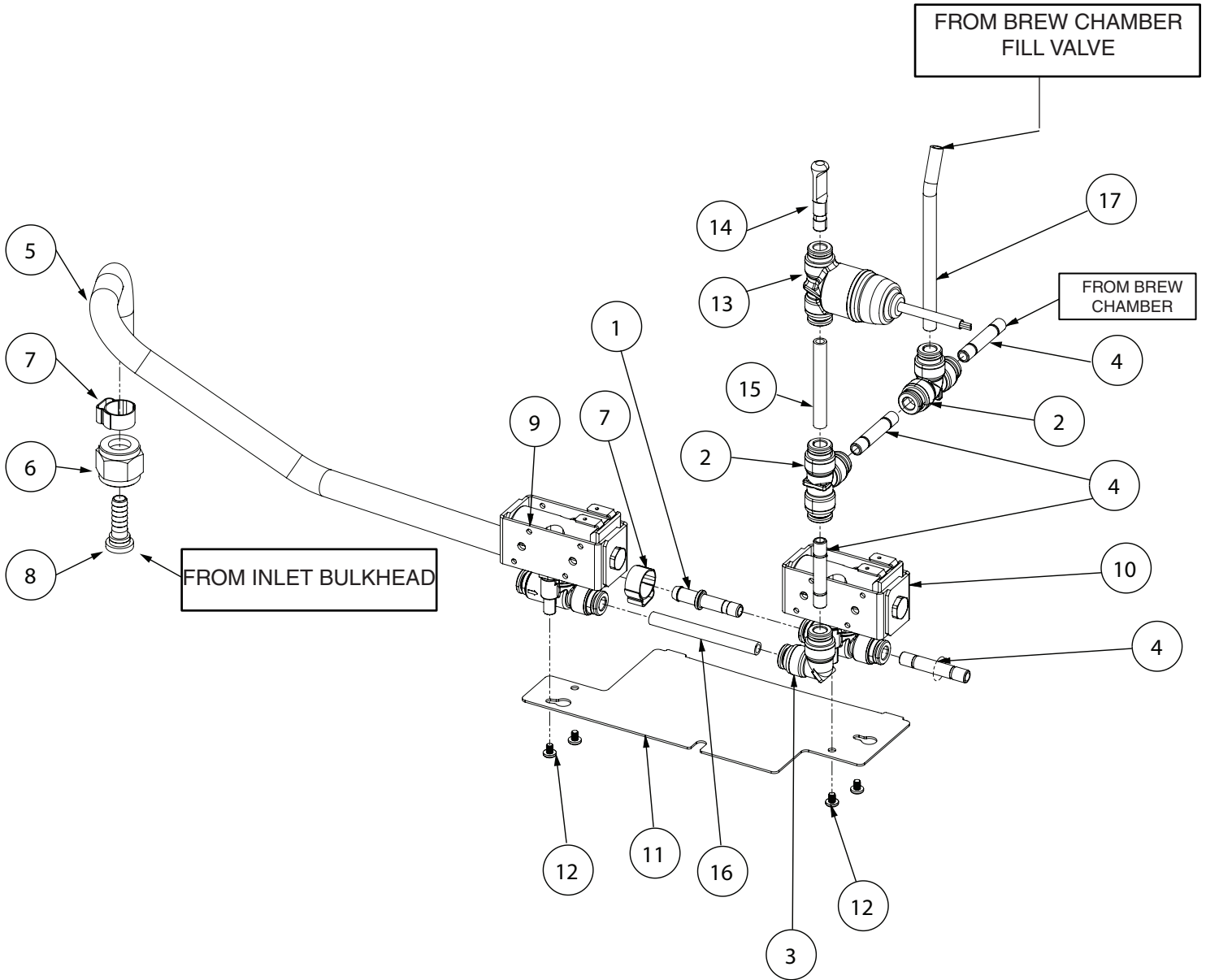


## PLUMBING CHILLER ASSEMBLY LATER STYLE

ITEM	QTY	DESCRIPTION	PART NO.	NOTES
1	1	BRACKET, CHILLER		
2	1	COFFEE CHILLER ASSY, W/ FITTING	55584.0011	
3	1	CONNECTOR, Y PLSTIC 6/8MM	<a href="#">55539.0000</a>	
4	2	CONNECTOR, STRAIGHT 6/8MM	<a href="#">55540.0000</a>	
5	2	SPACER, NYL .375ODX.19IDX.625	<a href="#">01533.0006</a>	
6	2	SCREW, TRH SLTD 8-32 X 1.0 SST	<a href="#">01321.0000</a>	
7	1	SCREW, TRH SLTD SST 8-32x.50	<a href="#">01317.0000</a>	
8	3	NUT, ELASTIC LOCK #8-32 SST	<a href="#">00991.0006</a>	
9	1	TUBE, 6MM OD X 5.5 LG	55176.0016	Order #18
10	1	TUBE, 6MM OD X 11.0 LG	55176.0022	Order #18
11	3	CLAMP,SST-BLK RBR CTG .63ID	<a href="#">32360.0001</a>	
12	1	TUBE, 8MM OD X 2.0 LG	55177.0002	Order #19
13	1	FITTING, UNION STEM SST	<a href="#">53409.0000</a>	
14	2	FLOW BEND TUBE, SURE TAMP	<a href="#">34282.0003</a>	
15	1	TUBE, 6MM OD X 17.0 LG	55176.0013	Order #18
16	1	ELBOW, 90° 6MM CONNECTOR	<a href="#">55523.0000</a>	
17	1	FITTING, ELBOW 6MM TUBE 6MM STEM PPSU	<a href="#">53998.0000</a>	
18	-	TUBING, 1 FOOT - 6mm	<a href="#">55176.1000</a>	Not Illustrated
	-	TUBING, 3 FOOT - 6mm	<a href="#">55176.1001</a>	Not Illustrated
	-	TUBING, 10 FOOT - 6mm	<a href="#">55176.1002</a>	Not Illustrated
19	-	TUBING, 1 FOOT - 8mm	<a href="#">55177.1000</a>	Not Illustrated
		TUBING, 3 FOOT - 8mm	<a href="#">55177.1001</a>	Not Illustrated
		TUBING, 10 FOOT - 8mm	<a href="#">55177.1002</a>	Not Illustrated

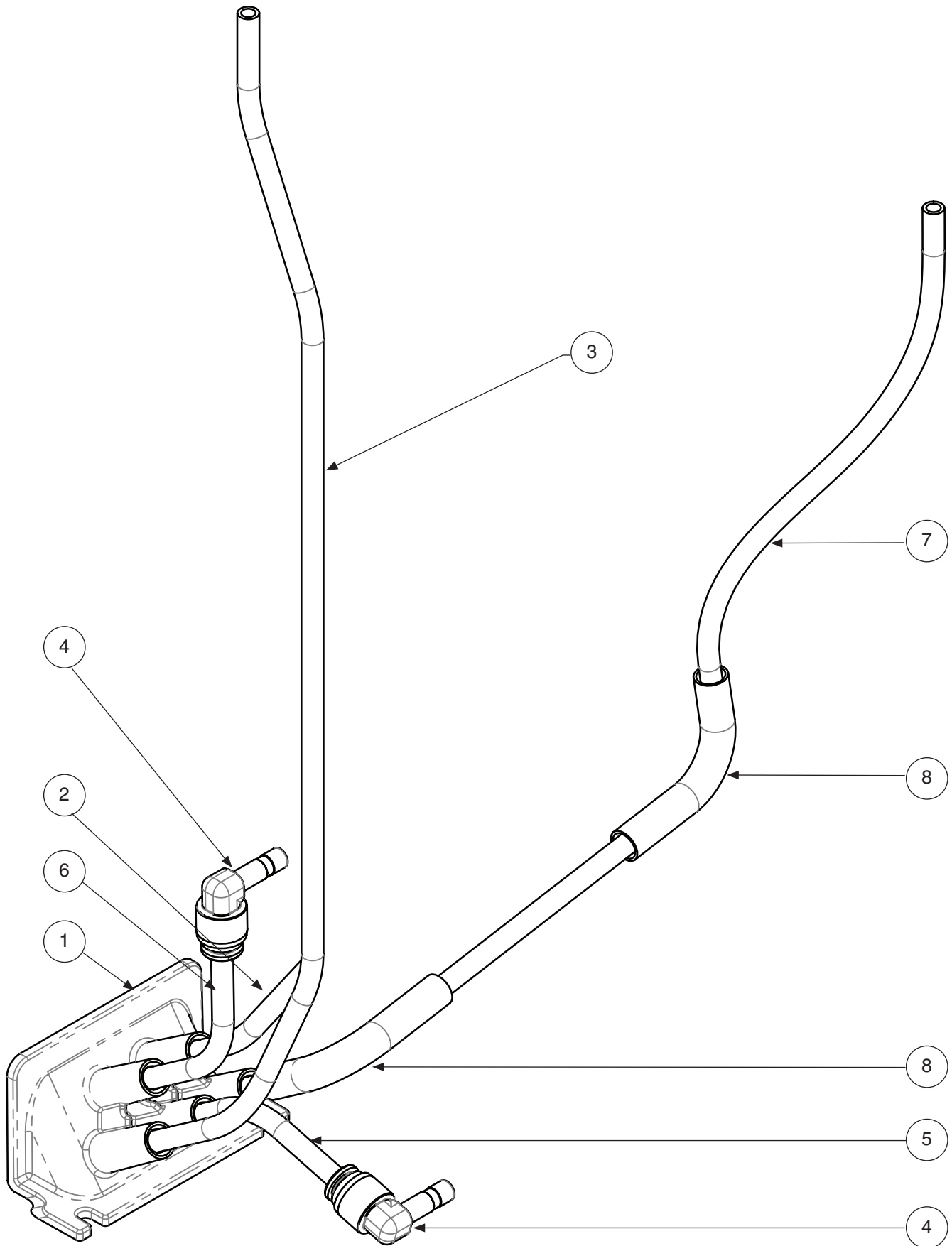


# PLUMBING INLET/DRAIN VALVE ASSEMBLY LATER STYLE | Fast Cup®



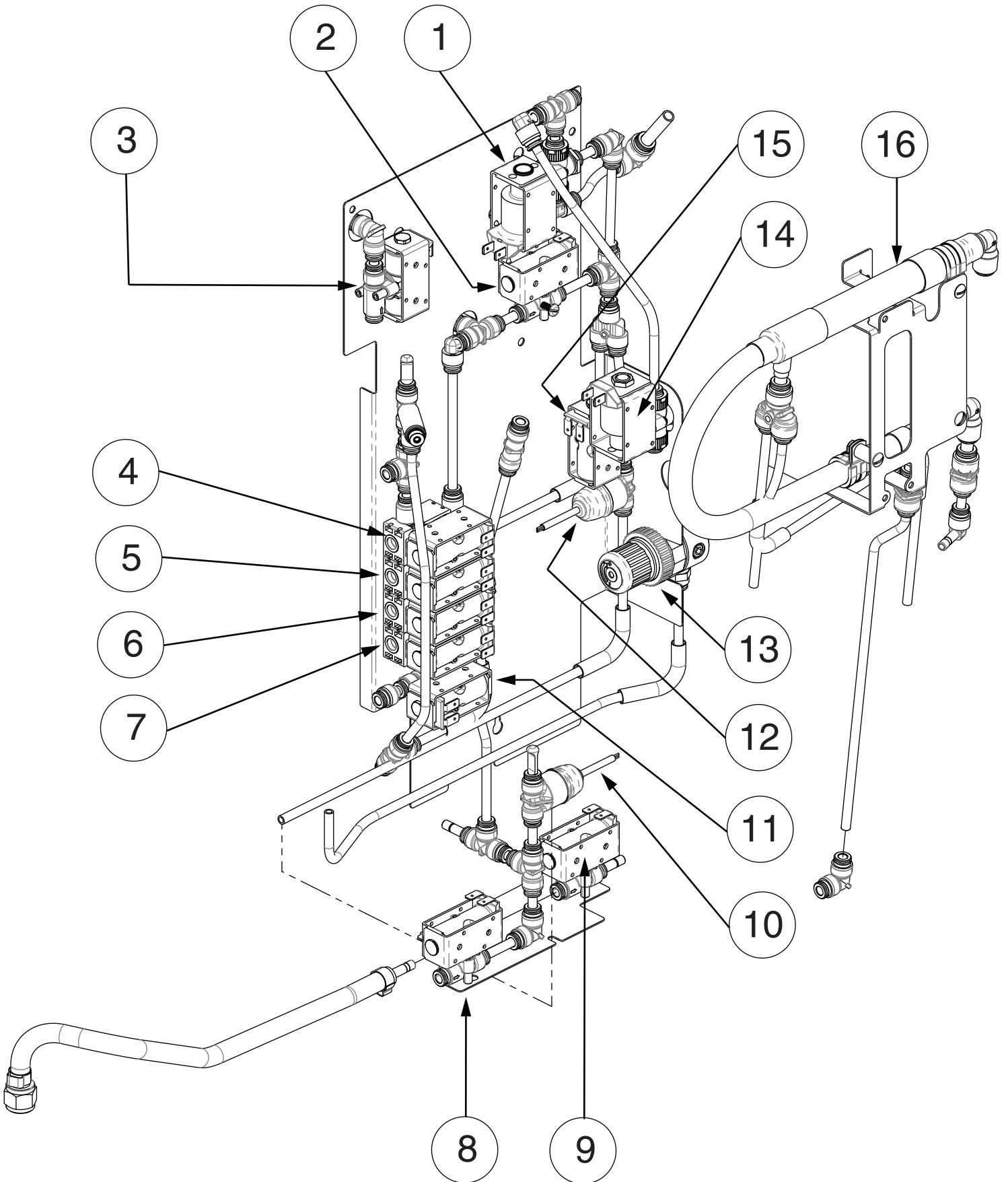
## PLUMBING INLET/DRAIN VALVE ASSEMBLY LATER STYLE

ITEM	QTY	DESCRIPTION	PART NO.	NOTES
1	1	FITTING, 6MM PPSU TUBE 4MM ID	<a href="#">53408.0001</a>	
2	2	FITTING, TEE 6MM PPSU	<a href="#">53411.0000</a>	
3	1	ELBOW, 90° 6MM CONNECTOR	<a href="#">55523.0000</a>	
4	4	FITTING, UNION STEM SST	<a href="#">53409.0000</a>	
5	1	HOSE, .25 ID X 15.0 LG BRAID		Order #19
6	1	NUT, HEX .38 FLARE	<a href="#">33150.0000</a>	
7	2	CLAMP, SST-.406/.504 DIA#12.8	<a href="#">21275.0006</a>	
8	1	NIPPLE, SST .25 BARB X .375 FEMALE FLARE		
9	1	VALVE, 24V 2.0MM ORIFICE 2WAY N.O.	<a href="#">57869.0000</a>	
10	1	VALVE, 24V 2.5MM ORIFICE 2WAY N.C.	<a href="#">57869.0001</a>	
11	1	PLATE, INLET/DRAIN VALVE		
12	4	SCREW, PAN HEAD M3 X 4 ZP	<a href="#">24003.0201</a>	
13	1	PRESSURE SENSOR ASSY, 6MM TUBE	<a href="#">54004.0001</a>	
14	1	PLUG, PUSH TO CONN 6MM OD	<a href="#">54811.0000</a>	
15	1	TUBE, 6MM OD X 1.75 LG		Order #18
16	1	TUBE, 6MM OD X 2.2 LG		Order #18
17	1	TUBE, 6MM OD X 3.75 LG		Order #18
18	-	TUBING, 1 FOOT - 6mm	<a href="#">55176.1000</a>	Not Illustrated
	-	TUBING, 3 FOOT - 6mm	<a href="#">55176.1001</a>	Not Illustrated
	-	TUBING, 10 FOOT - 6mm	<a href="#">55176.1002</a>	Not Illustrated
19	-	HOSE, .25 ID x 120" LG BRAID	<a href="#">32745.1002</a>	Not Illustrated



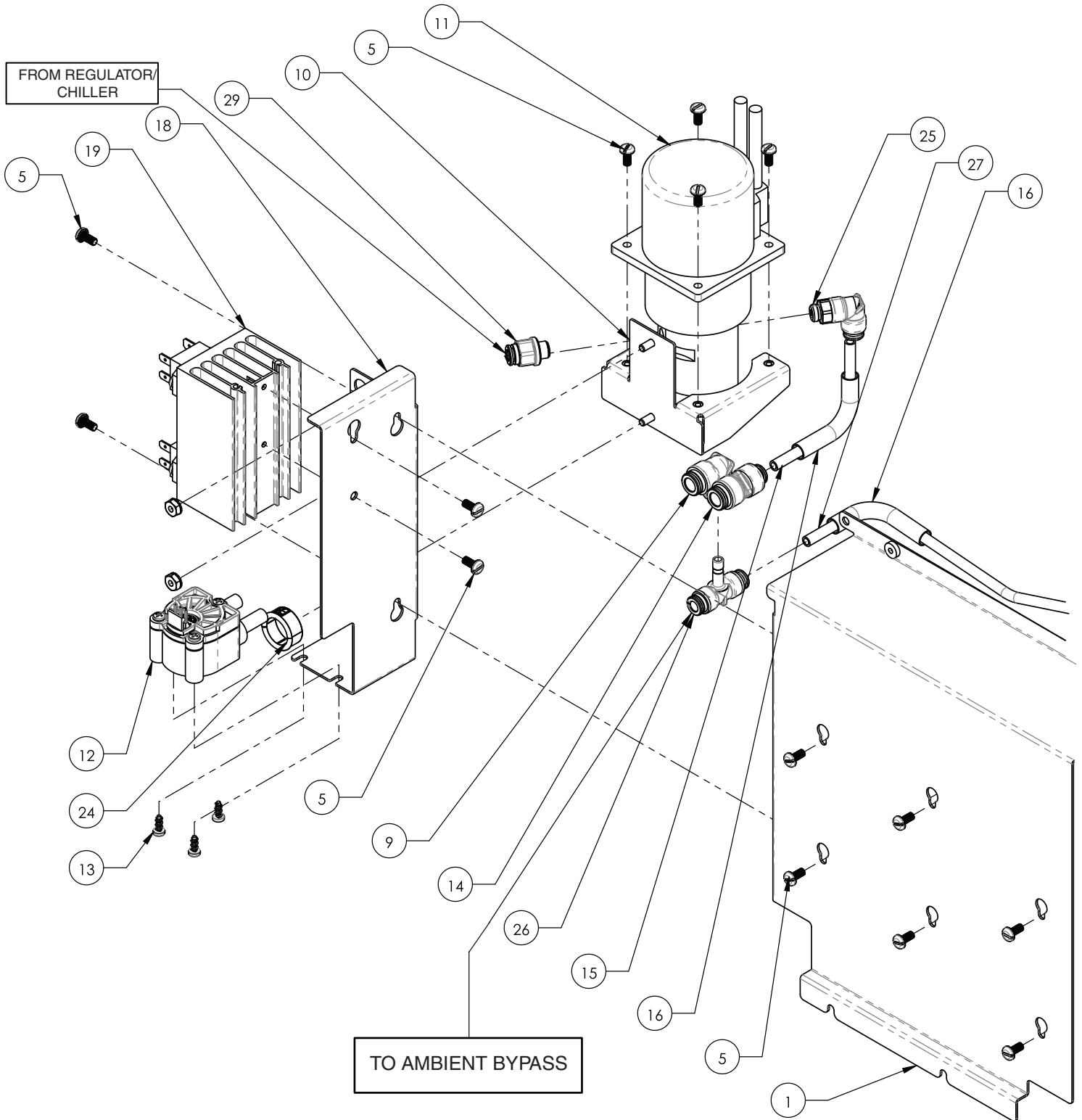
## DRAIN MANIFOLD LATER STYLE

ITEM	QTY	DESCRIPTION	PART NO.	NOTES
1	1	MANIFOLD, DRAIN TUBE SILICONE	55833.0002	
2	1	TUBE, 6MM OD X 4.0 LG		Order #9
3	1	TUBE, 6MM OD X 17.0 LG		Order #9
4	2	FITTING, ELBOW 6MM TUBE 6MM STEM PPSU	53998.0000	
5	1	TUBE, 6MM OD X 4.0 LG		Order #9
6	1	TUBE, 6MM OD X 4.5 LG		Order #9
7	1	TUBE, 6MM OD X 18.2 LG		Order #9
8	2	FLOW BEND TUBE, SURE TAMP	34282.0003	
9	-	TUBING, 1 FOOT - 6mm	55176.1000	Not Illustrated
		TUBING, 3 FOOT - 6mm	55176.1001	Not Illustrated
		TUBING, 10 FOOT - 6mm	55176.1002	Not Illustrated



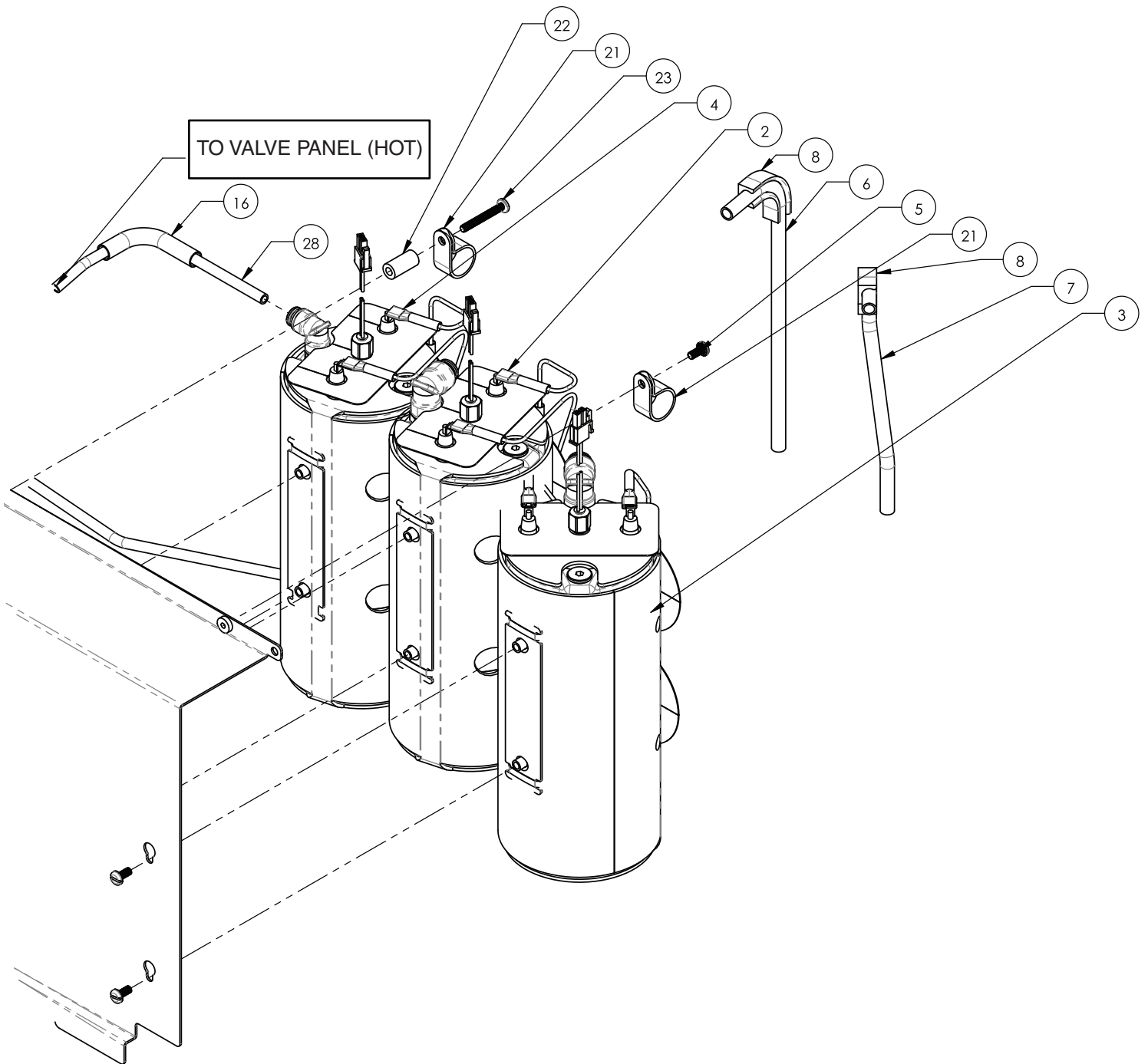
## VALVE PANEL NOMENCLATURE LATER STYLE

ITEM	QTY	DESCRIPTION	NOTES
1		Chiller Coffee Input Valve, 3 Way	
2		Brew Chamber Dispense Valve	Normally Closed
3		Brew Chamber Vent Valve (N/O - Normally Open)	Normally Open
4		Brew Chamber Cleaning Valve	Normally Closed
5		Hot Water By-Pass Valve (Front)	Normally Closed
6		Brew Chamber Fill Valve	Normally Closed
7		Brew Tank Drain Valve (Rear)	Normally Closed
8		Brew Chamber Drain Valve (N/O - Normally Open)	Normally Open
9		Inlet Water Valve	Normally Closed
10		Water Inline Pressure Sensor (Ambient Side)	02308.0000
11		Chiller Ambient Drain Valve	Normally Closed
12		Brew Inline Pressure Sensor (Hot Side)	
13		Water Pressure Regulator	
14		Ambient Water By-Pass Valve	Normally Closed
15		Chiller Coffee Output Valve, 3 Way	
16		Chiller	



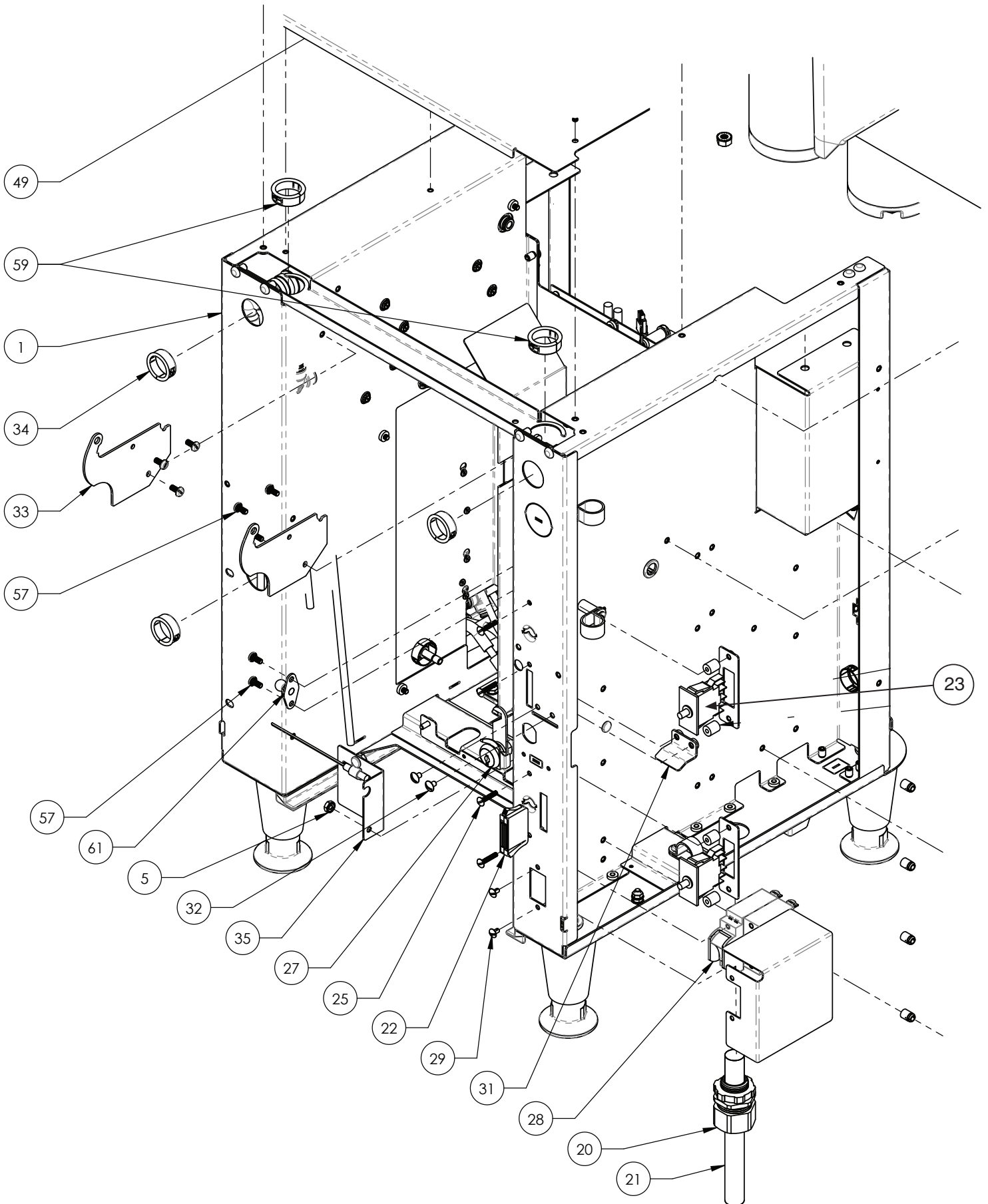
## TANK BRACKET ASSEMBLY LATER STYLE (CONTINUED)

ITEM	QTY	DESCRIPTION	PART NO.	NOTES
1	1	WLDMT, TANK BRACKET		
5	1	SCREW, PNH SLTD W/SERR 8-32X.38	02308.0000	
9	1	ELBOW, 90° CONNECTOR PPSU 6/8MM	55541.0000	
10	1	WLDMT, PUMP BRACKET		
11	1	PUMP ASSY, W/TERM FAST CUP	55758.0003	nd make .1003
12	1	METER, FLOW 4.0MM ORF	40752.0006	
13	3	SCREW, PNH PHH #8 HI - LO X .38	41103.0000	
14	1	CONNECTOR, STRAIGHT 6/8MM	55540.0000	
15	1	TUBE, 6MM OD X 4.5 LG		Order #30
16	3	FLOW BEND TUBE, SURE TAMP	34282.0003	
18	1	BRACKET, HEAT SINK	55061.0003	
19	1	SSR ASSY, 3x230VAC 25AMP	56786.0000	
24	1	BUSHING, OCB-875 NYL BLK .671 ID	00606.0000	
25	1	FITTING, ELBOW 6MM G18 BSP PPSU	53414.0000	
26	1	FITTING, T-STEM 6MM PPSU	53410.0000	
27	1	TUBE, 6MM OD X 13.0 LG		Order #30
29	1	FITTING, PPSU 6MM TUBE TO 1/8 BSPP	54090.0000	
30	-	TUBING, 1 FOOT - 6mm	55176.1000	Not Illustrated
		TUBING, 3 FOOT - 6mm	55176.1001	Not Illustrated
		TUBING, 10 FOOT - 6mm	55176.1002	Not Illustrated



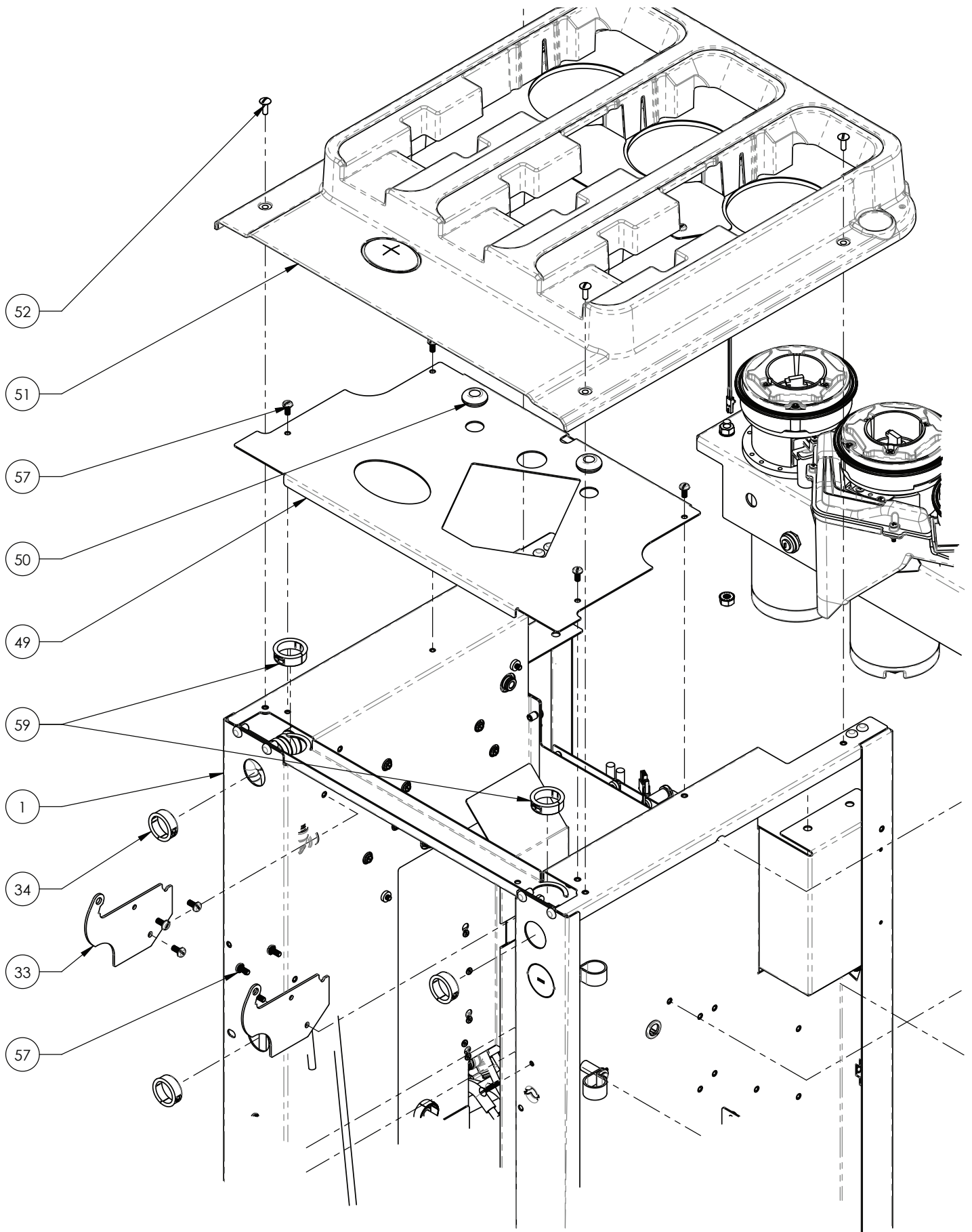
## TANK BRACKET ASSEMBLY LATER STYLE

ITEM	QTY	DESCRIPTION	PART NO.	NOTES
2	1	HOT WATER TANK ASSY, FAST CUP 2500W	<a href="#">50402.1004</a> Closeout	Replace with 50402.1008
3	1	HOT WATER TANK ASSY, FAST CUP 2500W	<a href="#">50402.1003</a> Closeout	Replace with 50402.1007
4	1	HOT WATER TANK ASSY, FAST CUP 2500W	50402.1005 Closeout	Replace with 50402.1009
5	1	SCREW, PNH SLTD W/SERR 8-32X.38	<a href="#">02308.0000</a>	
6	1	TUBE, 8MM OD X 9.0 LG		Order #31
7	1	TUBE, 8MM OD X 8.0 LG		Order #31
8	2	BEND CLIP, FLOW 8MM 5/16 TUBE		
16	3	FLOW BEND TUBE, SURE TAMP	<a href="#">34282.0003</a>	
21	2	CLAMP, CABLE-NYLON NAT .687 ID	<a href="#">00620.0000</a>	
22	1	SPACER,NYL-.194IDx.375 ODx.75	<a href="#">01533.0010</a>	nd =make saleable
23	1	SCREW, PAN SLTD SST 8-32X1.25	<a href="#">55666.0000</a>	
28	1	TUBE, 6MM OD X 6.6 LG 55176.0018	55176.0018	Order #30
30	-	TUBING, 1 FOOT - 6mm	<a href="#">55176.1000</a>	Not Illustrated
		TUBING, 3 FOOT - 6mm	<a href="#">55176.1001</a>	Not Illustrated
		TUBING, 10 FOOT - 6mm	<a href="#">55176.1002</a>	Not Illustrated
31	-	TUBING, 1 FOOT - 8mm	<a href="#">55177.1000</a>	Not Illustrated
		TUBING, 3 FOOT - 8mm	<a href="#">55177.1001</a>	Not Illustrated
		TUBING, 10 FOOT - 8mm	<a href="#">55177.1002</a>	Not Illustrated



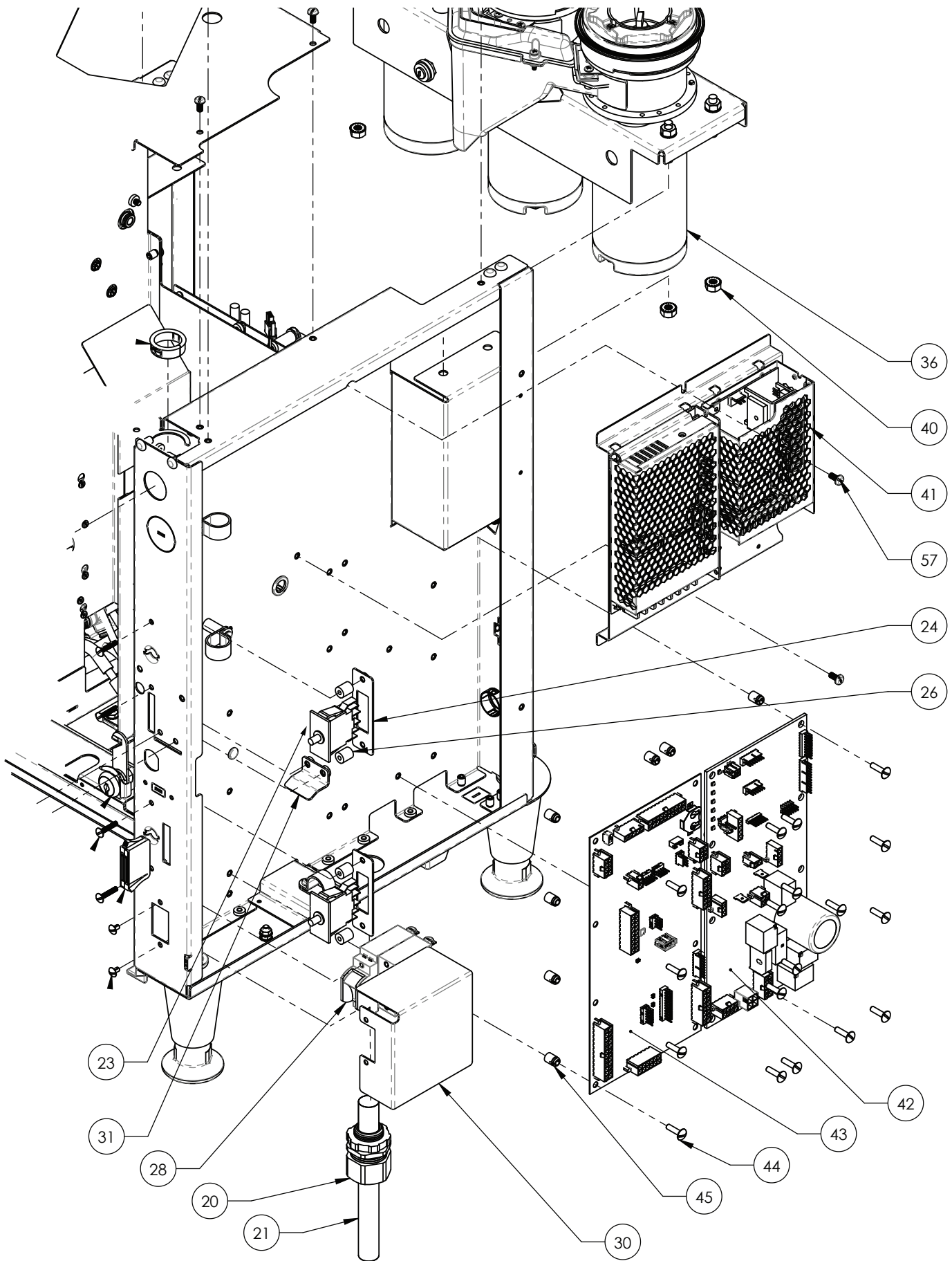
## CHASSIS COMPONENTS - 1 LATER STYLE (CONTINUED)

ITEM	QTY	DESCRIPTION	PART NO.	NOTES
1	1	ASSY, CHASSIS		
5	8	NUT, KEPS #8-32 ZINC PL	<a href="#">00970.0000</a>	
20	1	BUSHING, STRAIN RELIEF LTCG M25	<a href="#">05746.0001</a>	
21	1	POWER CORD ASSY, 30A 208V NEMA L6-30P	50211.0001	
22	1	MAGNETIC CATCH, SNAP-IN	<a href="#">25899.0000</a>	
23	2	SWITCH, INTERRUPT DPST-NO+SPST-NC	<a href="#">50573.0002</a>	
25	4	SCREW, TRH SLOTTED 6-32x.75	<a href="#">01388.0000</a>	
27	1	LOCK ASSEMBLY, 1.555x.437 BODY	<a href="#">34472.0000</a>	
28	1	SWITCH, 125/250V 50A DBL POLE	<a href="#">38894.0001</a>	
29	2	SCREW, TRH SLTD SST 6-32 x .25 LKG	<a href="#">01308.0002</a>	
31	1	BRACKET WLDMT, DOOR SAG	<a href="#">54996.0010</a>	
32	2	SCREW, TRH SLTD SST 8-32x.25	<a href="#">01311.0000</a>	
33	2	BRACKET, DOOR HINGE	55725.0002	
34	3	BUSHING, OPEN SNAP NYL BLK .81 ID	46872.0000	nd-make saleable
35	1	REED SWITCH ASSY, FAST CUP	<a href="#">53459.1001</a>	
49	1	BRACKET, TOP CHAMBER MOUNT		
57	23	SCREW, PNH SLTD W/SERR 8-32X.38	<a href="#">02308.0000</a>	
59	2	BUSHING, SPLIT SNAP-1.093 DIA MTG HL	58190.0000	nd-make saleable
61	1	WLDMT, LOWER DOOR PROP	57501.0000	
62	1	WIRING HARN, COMMUNICATION	<a href="#">55209.0000</a>	Not illustrated
63	1	WIRING HARN, BREW MODULE PASS THRU	55220.0001	Not illustrated
64	1	WIRING HARN, DOOR SWITCH	<a href="#">55221.0000</a>	Not illustrated
65	1	WIRING HARN, GROUNDS BIN/DRIP TRAY	<a href="#">55223.0000</a>	Not illustrated
66	1	WIRING HARN, FAN	<a href="#">55187.0001</a>	Not illustrated
67	1	HARNESS, LED POWER FAST BREW	<a href="#">56449.0001</a>	Not illustrated
68	1	WIRING HARN, CBA TO BULKHEAD	56795.0000	Not illustrated



## CHASSIS COMPONENTS - 1 LATER STYLE (CONTINUED)

ITEM	QTY	DESCRIPTION	PART NO.	NOTES
1	1	ASSY, CHASSIS		
33	2	BRACKET, DOOR HINGE	55725.0002	
34	3	BUSHING, OPEN SNAP NYL BLK .81 ID	46872.0000	nd-make saleable
49	1	BRACKET, TOP CHAMBER MOUNT		
50	2	GROMMET, SILICONE .375 ID	02536.0000	
51	1	ASSY, HOUSING TOP COVER	55296.0003	nd-make .1003
52	4	SCREW,TRH-SLT-BLK OXD 8-32x.5	02322.0000	
57	23	SCREW, PNH SLTD W/SERR 8-32X.38	02308.0000	
59	2	BUSHING, SPLIT SNAP-1.093 DIA MTG HL	58190.0000	nd-make saleable

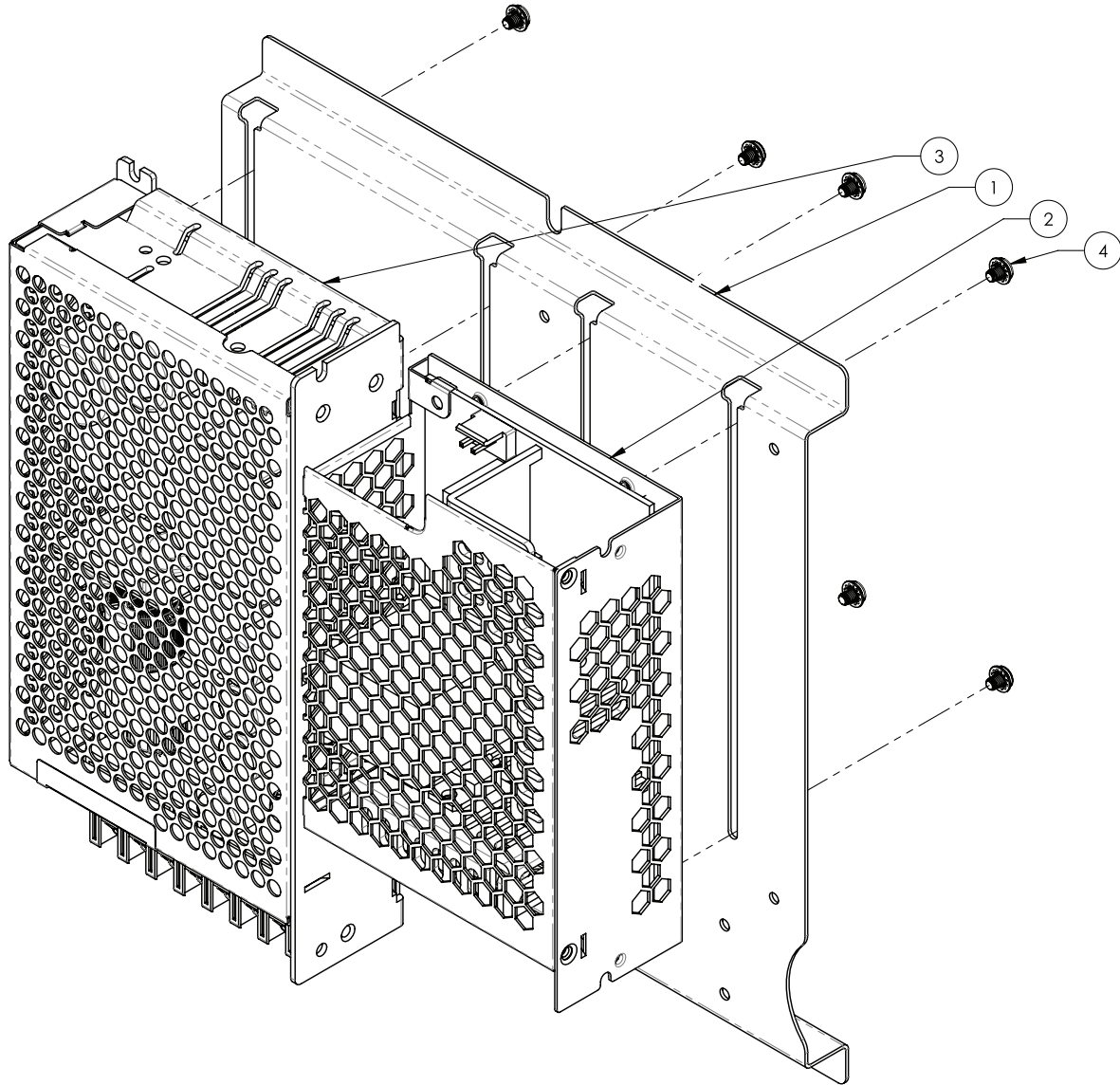


## CHASSIS COMPONENTS - 1 LATER STYLE (CONTINUED)

ITEM	QTY	DESCRIPTION	PART NO.	NOTES
20	1	BUSHING, STRAIN RELIEF LTCG M25	05746.0001	
21	1	POWER CORD ASSY, 30A 208V NEMA L6-30P	50211.0001	
23	2	SWITCH, INTERRUPT DPST-NO+SPST-NC	50573.0002	
24	2	WLDMT, SWITCH HOLDER PLATE	56999.0001	
26	4	SPACER, NYL .140x.375ODx.43L	01533.0017	
28	1	SWITCH, 125/250V 50A DBL POLE	38894.0001	
30	1	SHIELD, POWER SWITCH	43713.0008	
31	1	BRACKET WLDMT, DOOR SAG	54996.0010	
36	1	GRINDER MODULE ASSY, BTC FAST		
40	4	NUT, KEPS .25-20 ZINC PLTD	23700.0000	
41	1	ASSY, POWER SUPPLIES FAST CUP		
42	1	CBA, FAST BREW POWER	55253.1000	
43	1	CBA, FAST BREW I/O	55195.1000	
44	18	SCREW, TRH SLTD SST 8-32x.62	01338.0000	
45	18	SPACER, NYLON-SELF RETNG STACK	32530.0000	
57	23	SCREW, PNH SLTD W/SERR 8-32X.38	02308.0000	

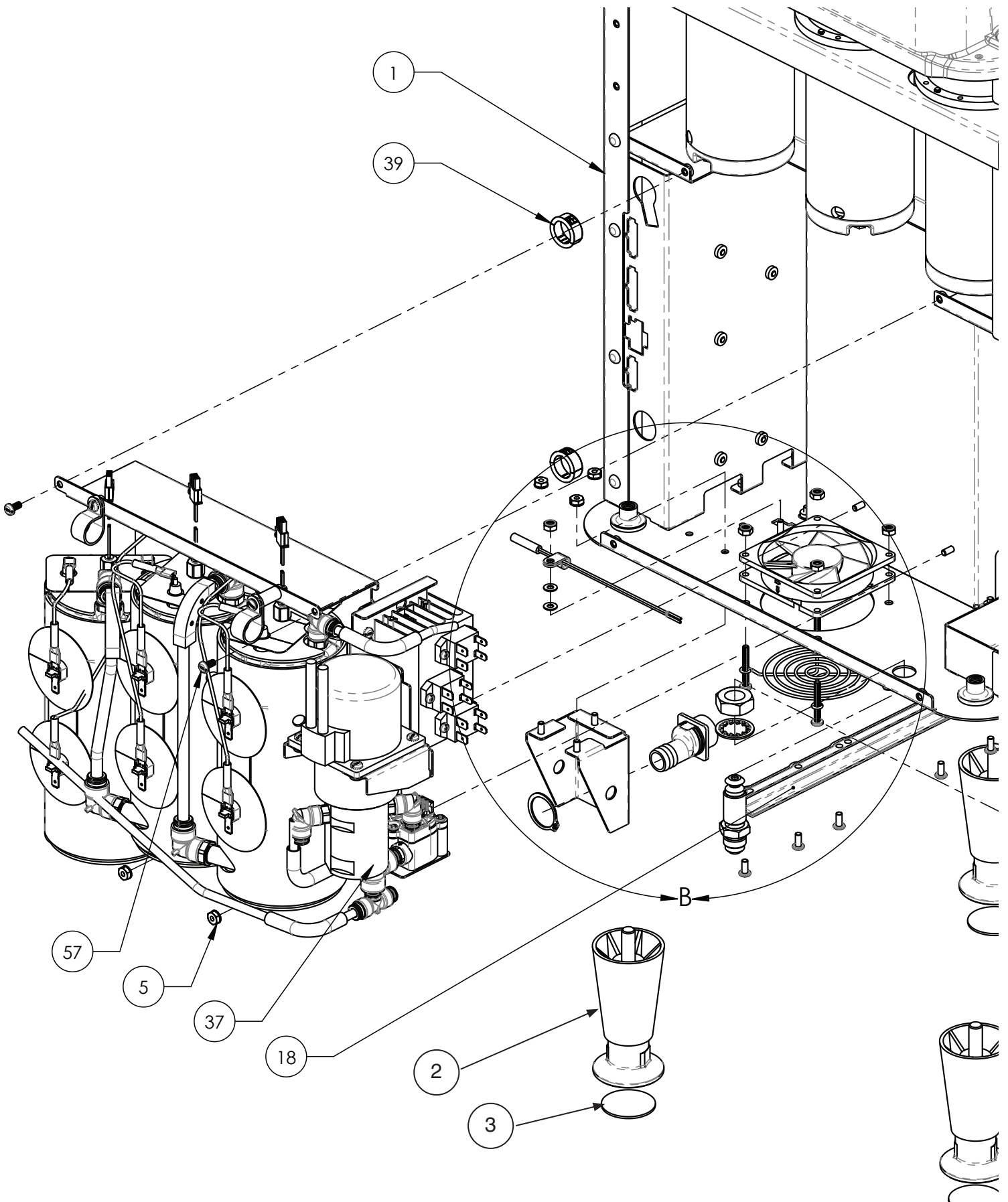


Later Style



## CHASSIS COMPONENTS - 1 LATER STYLE

ITEM	QTY	DESCRIPTION	PART NO.	NOTES
1	1	BRACKET, POWER SUPPLY	<a href="#">54994.0002</a>	
2	1	POWER SUPPLY, 48V DC 8.4A 400W	33363.0015	
3	1	POWER SUPPLY, 24V DC 6.5A 150W 1 PHASE	<a href="#">33363.0016</a>	
4	6	SCREW, PAN HEAD M3 X 4 ZP	<a href="#">57887.0000</a>	
	1	WIRING HARN, POWER SUPPLY	<a href="#">55222.0001</a>	Not illustrated
	1	WIRING HARN, MAIN BTC FAST CUP	<a href="#">55226.0005</a>	Not illustrated

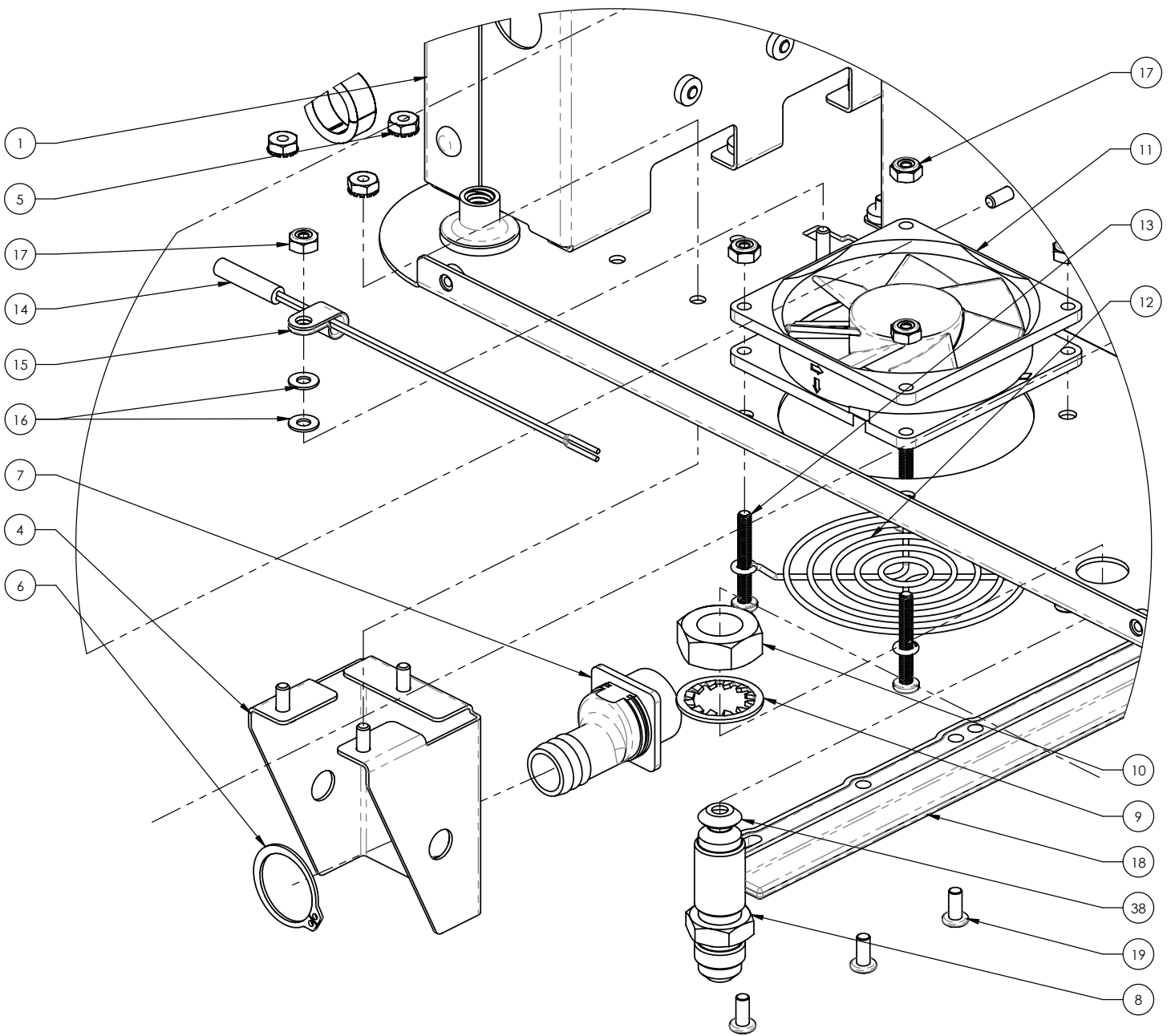


## CHASSIS COMPONENTS - 2 LATER STYLE (CONTINUED)

ITEM	QTY	DESCRIPTION	PART NO.	NOTES
1	1	ASSY, CHASSIS		
2	4	LEG, BLK/NICKEL PLATED	40041.0002	
		LEG, NICKEL PLATED	<a href="#">40041.0000</a>	
3	4	PAD, ANTI SKID	<a href="#">40042.0000</a>	
5	8	NUT, KEPS #8-32 ZINC PL	<a href="#">00970.0000</a>	
18	2	SLIDE, DRIP TRAY	<a href="#">55724.0002</a>	
37	1	ASSY, TANK BRACKET 9000W		
39	2	BUSHING, OCB-875 NYL BLK .671 ID	<a href="#">00606.0000</a>	
57	23	SCREW, PNH SLTD W/SERR 8-32X.38	<a href="#">02308.0000</a>	

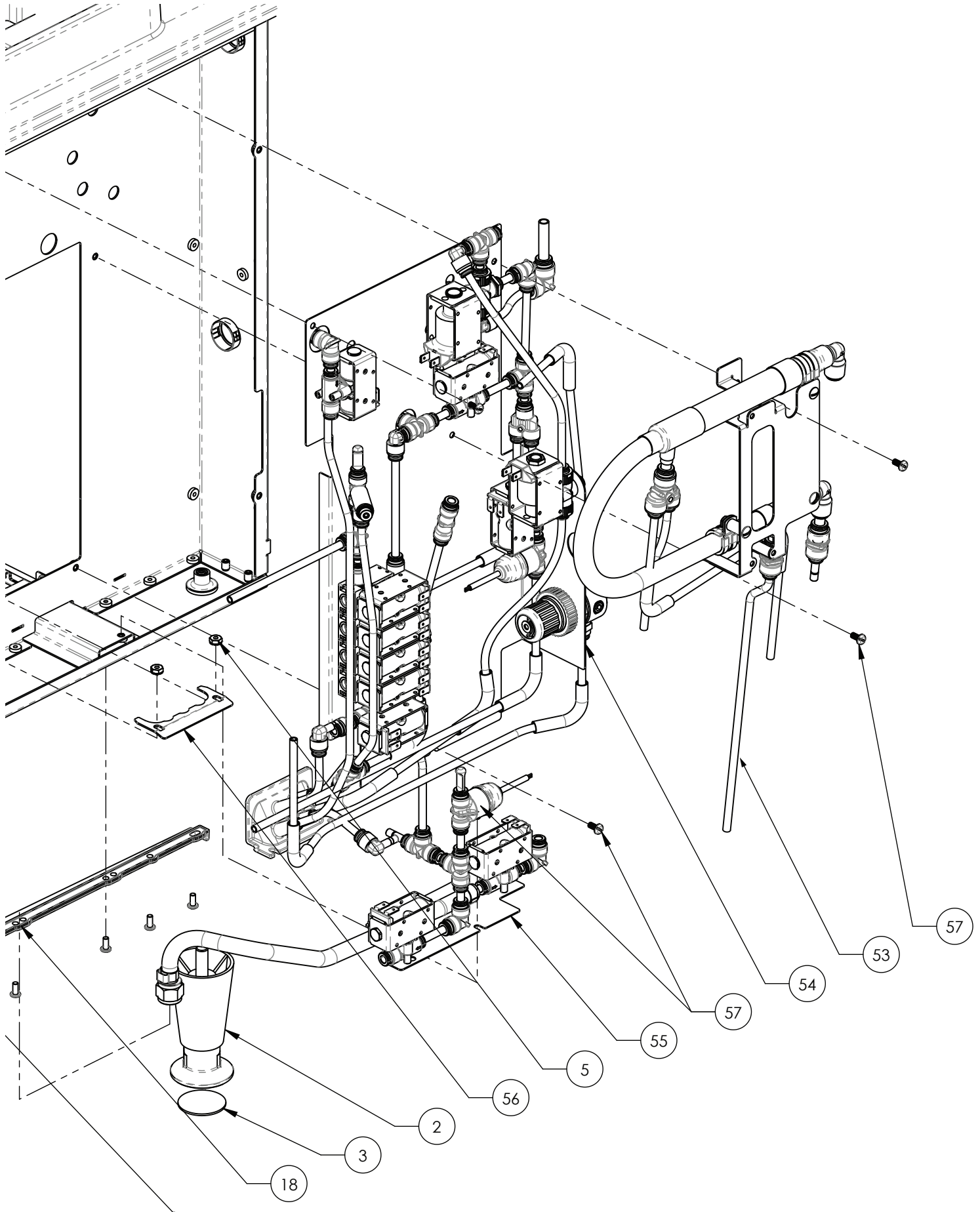


AIRFLOW  
TO BE  
DIRECTED  
DOWN



## CHASSIS COMPONENTS - 2 LATER STYLE (CONTINUED)

ITEM	QTY	DESCRIPTION	PART NO.	NOTES
1	1	ASSY, CHASSIS		
4	8	BRACKET WLDMT, WATER INLET BULKHEAD	55349.0001	
5	1	NUT, KEPS #8-32 ZINC PL	00970.0000	
6	1	RING, RETAINING 63/64 SST	56760.0000	
7	1	FITTING, DRAIN SST	55726.0001	
8	1	FITTING,BULKHEAD-MALE.38FLARE	12756.0000	
9	1	LOCK WASHER, INTL T-.625-ZINC	01514.0000	
10	1	NUT, HEX- .625-18 BRASS	12757.0000	
11	1	FAN ASSY, 24V DC 80MM W/LOCK SIGNAL	56239.0010	
12	6	GUARD, CABINET FAN 80MM	34010.0003	
13	1	SCREW, PAN SLTD SST 8-32X1.25	55666.0000	
14	1	REED SWITCH ASSY, MCR	49078.0000	
15	2	CLAMP, CABLE - NYLON NAT .250 ID	05920.0000	
16	5	WASHER,FLAT-.174IDx.375OD-SST	01501.0000	
17	1	NUT, ELASTIC LOCK #8-32 SST	00991.0006	
18	12	SLIDE, DRIP TRAY	55724.0002	
19	1	SCREW, PNH PHH 8-32X.38 LKG	57737.0000	
38	1	GASKET, .375 FLARE - COPPER	32359.0000	



## CHASSIS COMPONENTS - 2 LATER STYLE

ITEM	QTY	DESCRIPTION	PART NO.	NOTES
2	4	LEG, BLK/NICKEL PLATED	40041.0002	
3	4	PAD, ANTI SKID	40042.0000	
5	8	NUT, KEPS #8-32 ZINC PL	00970.0000	
18	2	SLIDE, DRIP TRAY	55724.0002	
53	1	ASSY, PLUMBING CHILLER		
54	1	ASSY, VALVE PANEL		
55	1	ASSY, PLUMBING INLET/DRAIN VALVE		
56	1	PLATE, DRAIN MANIFOLD	58003.0000	
57	23	SCREW, PNH SLTD W/SERR 8-32X.38	02308.0000	

