



# **DUAL<sup>®</sup> TF DBC<sup>®</sup>** **W/SMART FUNNEL<sup>®</sup>**



## **ILLUSTRATED PARTS CATALOG**

Designs, materials, weights, specifications, and dimensions for equipment or replacement parts are subject to change without notice.

### **BUNN-O-MATIC CORPORATION**

POST OFFICE BOX 3227

SPRINGFIELD, ILLINOIS 62708-3227

PHONE: (217) 529-6601 FAX: (217) 529-6644

[www.bunn.com](http://www.bunn.com)

## BUNN-O-MATIC COMMERCIAL PRODUCT WARRANTY

Warranty statements and information can be found on our website. Please visit <https://commercial.bunn.com/support/warranty-lookup> for further details.

# TABLE OF CONTENTS

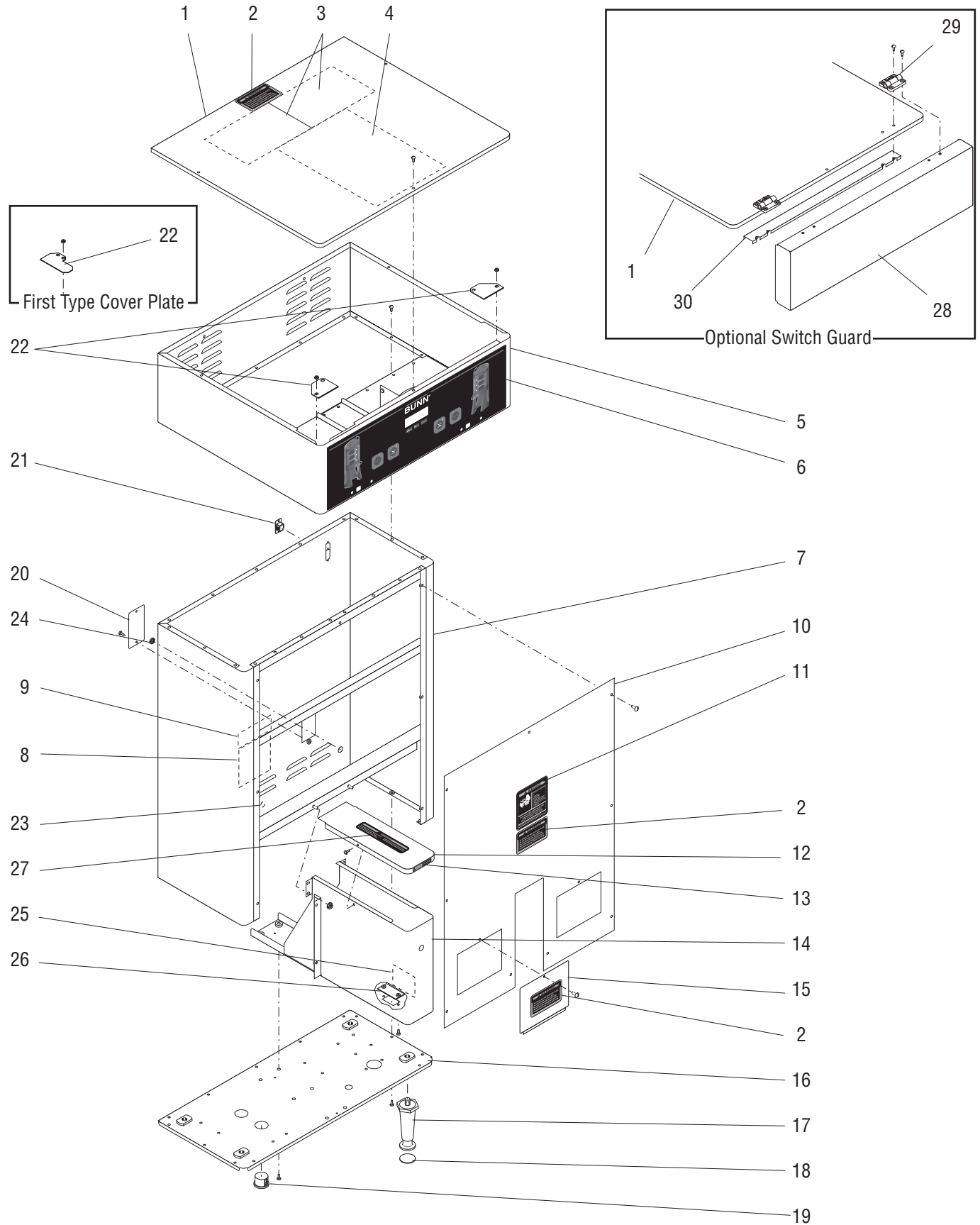
Base - Trunk - Hood - Covers & Panels .....	4
Electrical Controls .....	22
Faucet.....	20
Funnel.....	28
Inlet Valve and Line .....	16
Numerical Index .....	30
Sprayhead Valve, Water By-Pass Valve and Sprayhead.....	18
Strainer, Solenoid & Lines (Models with .25" Tubing).....	12
Strainer, Solenoid & Lines (Models with .38" Tubing).....	14
Tank and Mounting Brackets .....	10
Tank Heater & Overflow Protection Devices .....	8

**To search this document electronically, press “control” + “F” (on P.C.) or “command” + “F” on Mac, then type in description or part number, press “enter”.**



# BASE - TRUNK - HOOD - COVERS & PANELS

## DUAL TF



P2718.30

## BASE - TRUNK - HOOD - COVERS & PANELS

ITEM	PART NO.	QTY.	DESCRIPTION
1	34555.1001	1	Cover Assy, Top BLK (Includes item 2, 3 & 4) (120/240V)
	34555.1002	1	Cover Assy, Top BLK (Includes item 2, 3 & 4) (120/240V 3 Phase)
	34555.1003	1	Cover Assy, Top BLK (Includes item 2 & 3)
	34555.1005	1	Cover Assy, Top BLK (Includes item 2 & 3) (Optional Switch Guard)
	01308.0003	3	Screw, Truss Head BLK #6 - 32 x .25" Locking
2	37881.0000	4	Decal, "No Serviceable Parts"
3	25151.0000	2	Shield, Insulator
4	34916.0005	1	Schematic, 120/240V Single Phase
	34916.0001	1	Schematic, 120/240V 3 Phase
	34916.0003	1	Schematic, 120/240V Multi Phase 4 Wire
	34916.0004	1	Schematic, 208/240V Multi Phase 3 Wire W/O Neutral
5	34550.1004	1	Hood SST (Includes item 6)
	34550.1005	1	Hood BLK (Includes item 6)
	02308.0000	19	Screw, Pn-Hd #8 - 32 x .375"
6	34802.0000	1	Switch, Membrane
7	34630.1000	1	Trunk W/Decals SST (Includes items 8 & 9)
	34630.1001	1	Trunk W/Decals BLK (Includes items 8 & 9)
	34630.1002	1	Trunk W/Decals SST 230V (Includes items 8, 9 & 23)
	34630.1003	1	Trunk W/Decals BLK 230V (Includes items 8, 9 & 23)
8	00986.0000	1	Decal, Warning - Electrical
9	00656.0001	1	Decal, Comply to Plumbing Code
10	34953.1000	1	Panel W/Decals, Trunk SST (Includes items 2 & 11)
	34953.1001	1	Panel W/Decals, Trunk BLK (Includes items 2 & 11)
	01311.0000	9	Screw, Truss Head SST #8 - 32 x .25"
	01311.0004	9	Screw, Truss Head BLK #8 - 32 x .25"
11	00658.0000	1	Decal, Caution - Decanter/Funnel
12	34603.1001	1	Cover W/Decal, Faucet BLK (Includes item 13 and 27)
	01303.0002	2	Screw, Pn-Hd BLK #4 - 40 x .50"
13	36302.0000	1	Decal, Caution Hot Water
14	34920.0002	1	Support, Center SST } Models Without Main Power Switch
	34920.0004	1	Support, Center SST } Models With Main Power Switch
	34920.0005	1	Support, Center BLK } Models With Main Power Switch
	20631.0000	6	Screw, Pn-Hd .25"-20 x .75" (Early Units)
	00970.0000	4	Nut, Keps #8-32 Zinc PL (Late Units)
15	34948.1000	2	Plate, Access SST (Includes item 2)
	34948.1001	2	Plate, Access BLK (Includes item 2)
	01308.0002	2	Screw, Truss Head SST #6 - 32 x .25" Locking
	01308.0003	2	Screw, Truss Head BLK #6 - 32 x .25" Locking
16	34613.0004	1	Base Housing SST } Models with Inlet Valve
	34613.0005	1	Base Housing BLK } mounted in Hood
	34613.0008	1	Base Housing SST } Models with Inlet Valve
	34613.0009	1	Base Housing BLK } mounted in Base
	34613.0015	1	Base Housing SST (208/240V 3 Wire Multi Phase models)
	34613.0016	1	Base Housing SST (120/208 - 120/240V 4 Wire Multi Phase models)
	34613.0021	1	Base Housing SST (230/400V 3 Phase models)
	02308.0000	13	Screw, Pan Head #8 - 32 x .375"

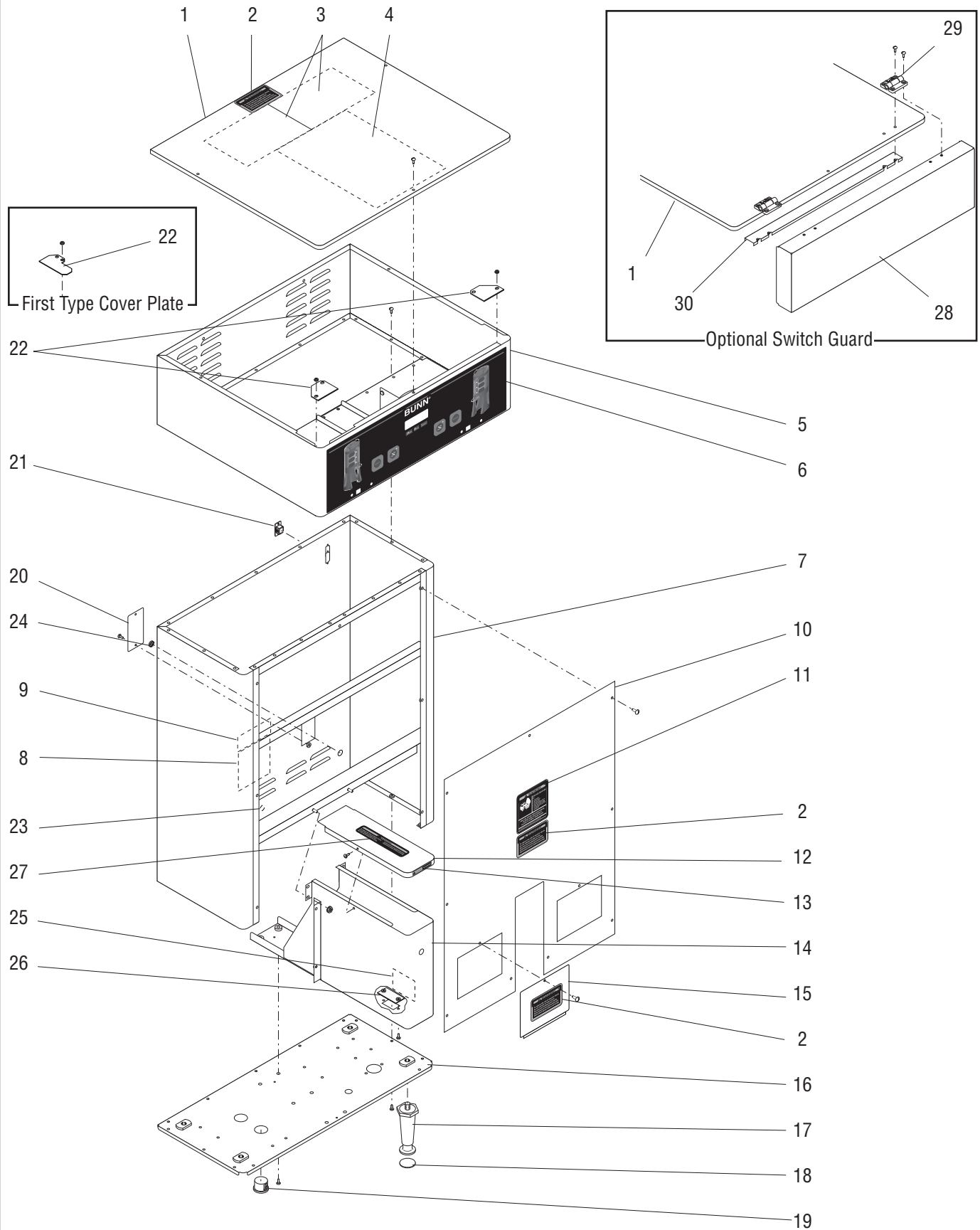
(continued)

\* Indicates the part number listed is for reference only. See DESCRIPTION for possible service replacement.



# BASE - TRUNK - HOOD - COVERS & PANELS

## DUAL TF



P2718.30

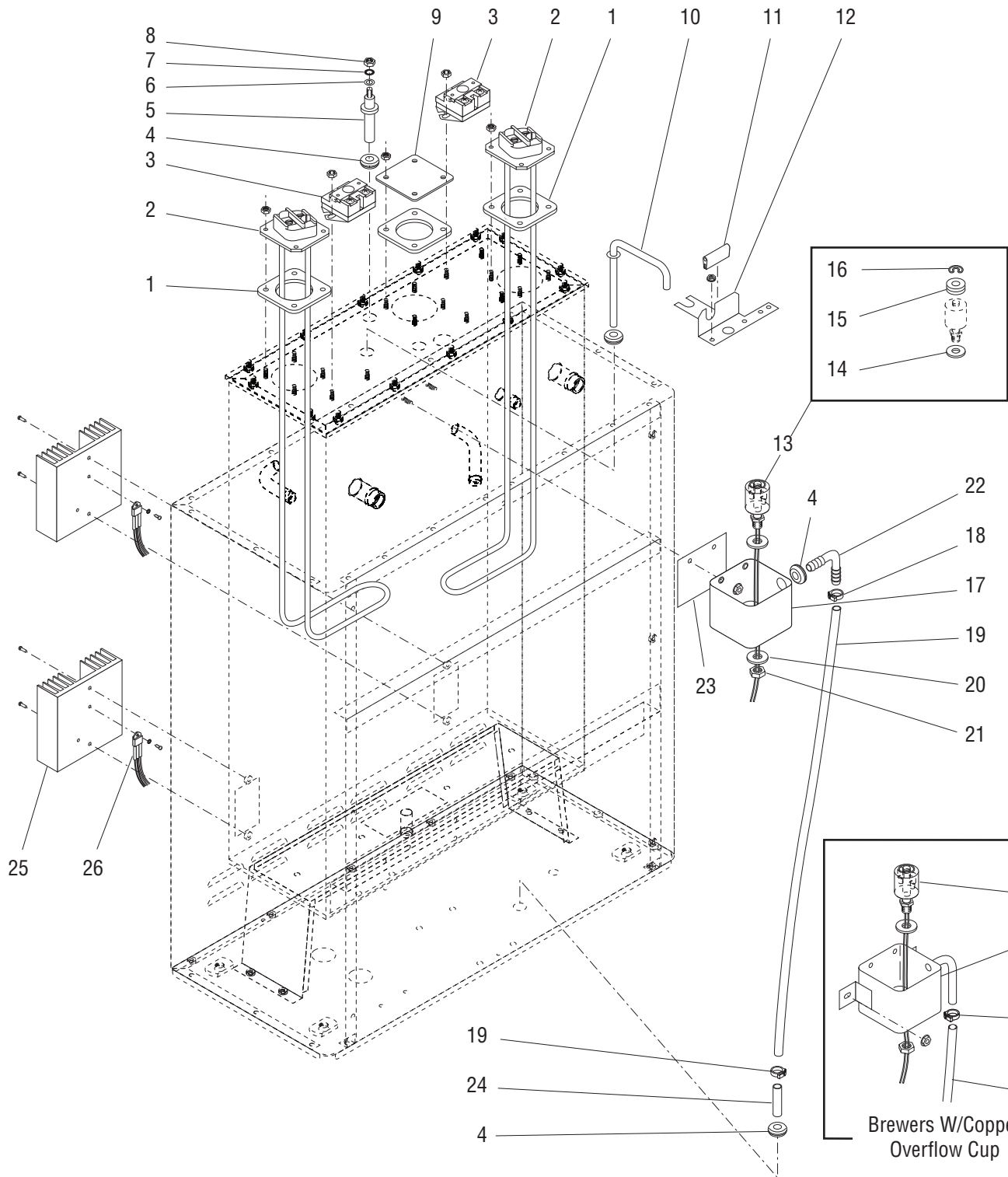
## BASE - TRUNK - HOOD - COVERS & PANELS

ITEM	PART NO.	QTY.	DESCRIPTION	
17	26528.0000	5	Leg, 4.0" Plastic (See item 31)	
	00502.0000	5	Leg, 4.0" Metal (See item 31)	
18	03996.0000	5	Pad, Anti Skid	
19	03011.0000	1	Plug, Vent	
20	35291.0000	1	Cover, Rear SST	} 3 Phase Brewers only
	35291.0001	1	Cover, Rear BLK	
	01347.0000	2	Screw, Truss Head #6 - 32 x .375" SST	
	01347.0002	2	Screw, Truss Head #6 - 32 x .375" BLK	
21	36398.0000	1	Hole Plug, DB-9 (Early models)	
22	32649.0000	2	Cover Plate, Funnel Lock (Early models)	} Models without Funnel Locks
	32649.0001	2	Cover Plate, Funnel Lock (Late models)	
	00970.0000	4	Nut, Keps #8-32	
23	00824.0002	1	Decal, Ground	
24	00619.0007	1	Plug, Hole .50" Dia. (SST models)	} Not used on 230V/400V models
	05749.0004	1	Plug, Hole .50" Dia. (Black models)	
25	39803.0000	1	Decal, Main Switch (Models with Main Switch only)	
26	38820.0000	1	Plate, Switch Hole Cover	} Models Without Main Power Switch
	01347.0000	2	Screw, Truss Head #6 - 32 x .375"	
27	37881.0002	1	Decal, "No Serviceable Parts"	
28	32323.1004	1	Guard Kit, Hinged Switch Cover (Includes items 29 and 30)	
29	26504.0000	2	Hinge, Adjustable	
	01382.0003	8	Screw, Truss Head W/Nyl Patch #6 - 32 x .375" BLK	
30	29384.0002	1	Channel, Hinge	
31	13255.0007	-	Leg Kit, Plastic (Includes 5 each of items 17 & 18) (Not illustrated)	
	13255.0002	-	Leg Kit, Metal (Includes 5 each of items 17 & 18) (Not illustrated)	



# TANK HEATER & OVERFLOW PROTECTION DEVICES

## DUAL TF



## TANK HEATER & OVERFLOW PROTECTION DEVICES

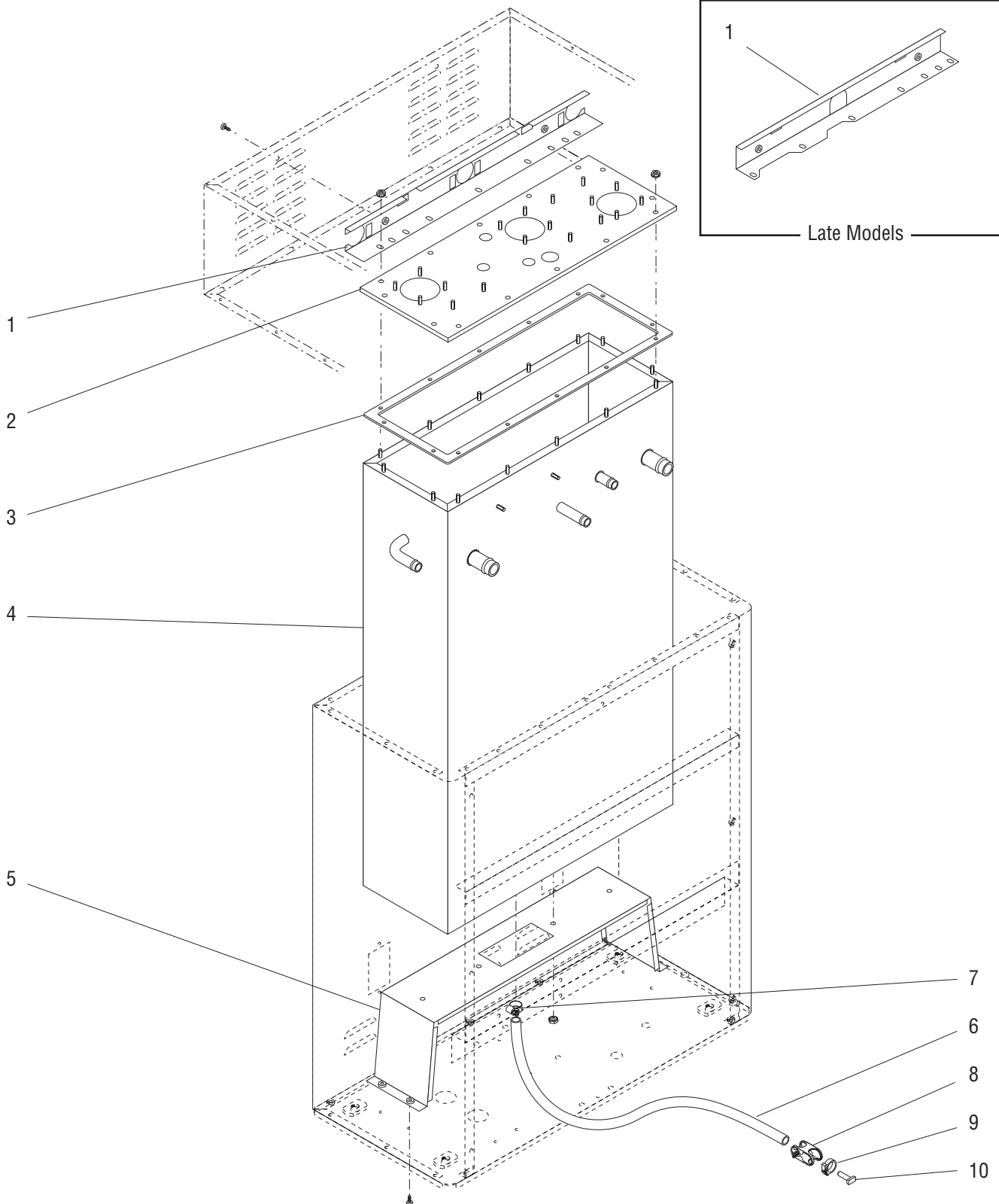
ITEM	PART NO.	QTY.	DESCRIPTION
1	12398.0002	3	Gasket, Tank Heater
2	20922.1000	2	Tank Heater, 3300W @ 240V (Includes item 1) (1 additional for 3 phase brewers)
	20922.1002	2	Tank Heater, 2850W @ 208V (Includes item 1) (200V Models)
	12305.1000	2	Tank Heater, 4000W @ 208V (Includes item 1)
	00908.0000	8	Nut, Hex #8 - 32 (4 additional for 3 phase brewers)
3	23717.0003	2	Thermostat, Limit (1 additional for 3 phase brewers)
	00908.0000	4	Nut, Hex #8 - 32 (2 additional for 3 phase brewers)
4	02536.0000	3	Grommet .375" I.D.
5	20936.1000	1	Probe Kit (Includes items 6, 7 & 8)
6	01501.0000	1	Washer .164" I.D. x .375" O.D.
7	20203.0100	1	Lockwasher, Internal Tooth #8
8	00908.0000	1	Nut, Hex #8 - 32
9	34664.0000	1	Cover, Tank Heater
	00908.0000	4	Nut, Hex #8 - 32 } Not used on 3 phase brewers
10	26622.0001	1	Tube Assy, Vent
11	02434.0010*	1	U-Channel 2.0" (Order item 28)
12	27473.0000	1	Bracket, Overflow Cup Mounting
13	03803.0000	1	Switch Assy, Liquid Level (120/208V, 120/240V & 240V models)
	03803.0002	1	Switch Assy, Liquid Level (200V, 230V & 230/400V models)
	04797.0000	1	Washer, Celcon .520" I.D. x 1.0" O.D.
	00946.0000	1	Nut, Hex .125" FPT } Includes items 14, 15 & 16
14	03633.0000	2	Gasket, Float Switch (Only 1 used in this application)
15	01527.0000*	3	Washer, Adjusting (DO NOT USE IN THIS APPLICATION)
16	03807.0000	1	Clip, Spring
17	22728.0000	1	Overflow Cup Assy Copper (Second type) (Also replaces aluminum cup)
	41259.1003	1	Kit, Overflow Cup (Aluminum) (Includes items 4, 20, 22 & 23)
	00971.0000	2	Nut, Keps #10-32
18	12422.0000	2	Clamp, Hose .47"/.54" I.D.
19	03236.0023*	1	Tube, Silicone .312" I.D. x 27.5" (Order item 29)
20	04797.0000	1	Washer, Celcon .520" I.D. x 1.0" O.D.
21	00946.0000	1	Nut, Hex .125" FPT
22	41280.0001	1	Elbow, .375" Multi Barb
23	41266.0000	1	Film, Insulating
24	21801.0002	1	Tube .375" O.D.
25	20541.0001	2	Heat Sink (Also order item 27) (Only 1 used on 120/208V 3 phase brewers)
	01382.0007	4	Screw, Truss Head 6-32 x .38" (Only 2 used on 120/208V 3 phase brewers)
26	12565.0011	2	Triac Assy, 40 amp
	02328.0003	2	Screw, Pan Head #6-32 x .312" } Only 1 used on 120/208V
	01520.0000	2	Lockwasher #6 } 3 phase brewers
27	M2522.1000	-	Heat Sink Compound
28	02434.1000	-	U-Channel 18.0" (Use as required)
29	03236.1001	-	Tube, Silicone .312" I.D. x 36.0" } Not illustrated
	03236.1003	-	Tube, Silicone .312" I.D. x 60.0" }
	03236.1002	-	Tube, Silicone .312" I.D. x 120.0" }

\* Indicates the part number listed is for reference only. See DESCRIPTION for possible service replacement.



# TANK AND MOUNTING BRACKETS

DUAL TF



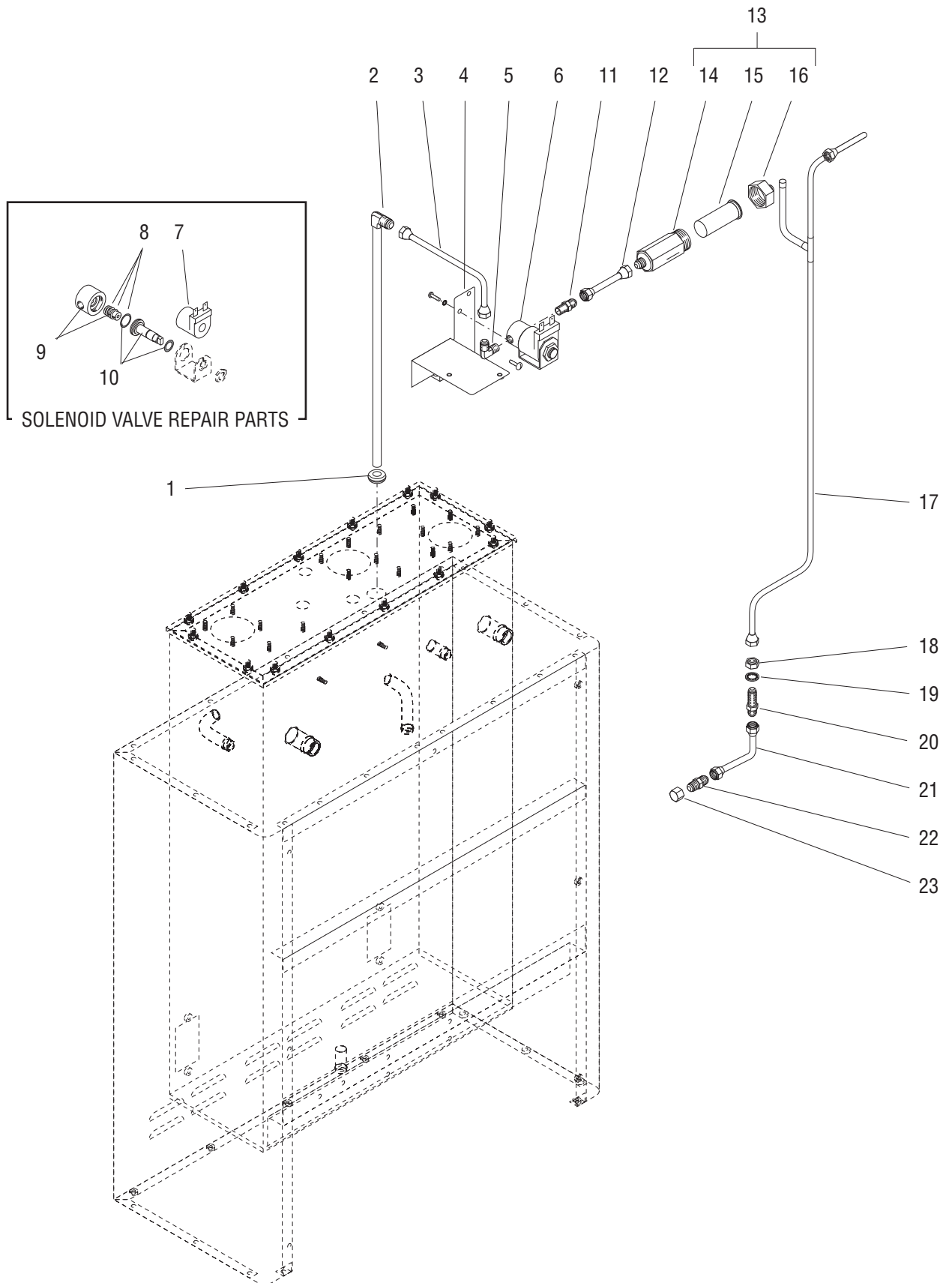
## TANK AND MOUNTING BRACKETS

ITEM	PART NO.	QTY.	DESCRIPTION
1	37526.0000	1	Bracket, Tank Support (Top)
	01315.0005	2	Screw, Truss Head BLK #8 - 32 x .375"
	00908.0000	4	Nut, Hex #8 - 32
2	34753.0000	1	Lid, Tank
	00908.0000	14	Nut, Hex #8 - 32
3	34758.0000	1	Gasket, Tank
4	34750.1001	1	Tank
5	34663.0000	1	Bracket, Tank Mounting (Bottom)
	02308.0000	4	Screw, Pan Head #8 - 32 x .375"
6	32591.0008*	1	Tube, Silicone .50" I.D. x .75" O.D. x 31.0" (Order item 11)
7	29421.0000	1	Clamp, Hose-Worm Drive .625"/.75"
8	11630.0002	1	Clamp Shut Off, Tube
9	12422.0005	1	Clamp, Hose - Snap Type .62/.71 I.D.
10	35086.0000	1	Plug, .50" I.D. Hose
11	32591.1002	1	Tube, Silicone .50" I.D. x 36.0" (Not illustrated)



# STRAINER, SOLENOID & LINES (Models with .25" Tubing)

DUAL TF



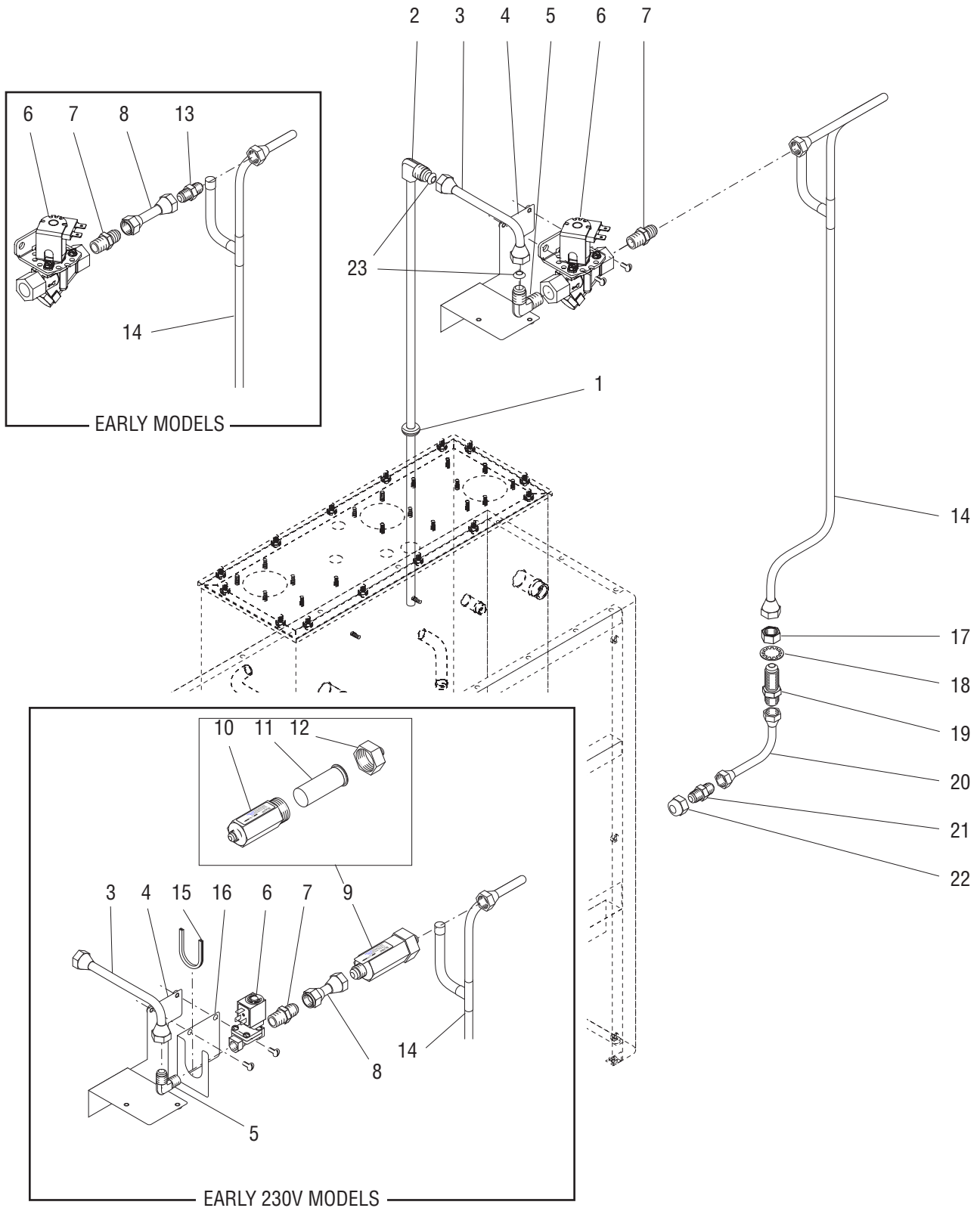
**STRAINER, SOLENOID & LINES**  
(Models with .25" Tubing)

ITEM	PART NO.	QTY.	DESCRIPTION
1	02536.0000	1	Grommet .375" I.D.
2	20937.0001	1	Tube, Tank Fill .25" O.D.
3	21812.0007	1	Tube Assembly, Solenoid to Tank .25" O.D.
4	02308.0000	2	Bracket, Solenoid Mounting Screw, Pan Head #8 - 32 x .375"
5	00400.0001	1	Elbow, Male .250" Flare x .125" MPT
6	01085.0002	1	Solenoid Valve Assy, 120V (Includes items 7 thru 10)
	28005.1001	1	Solenoid Valve Assy, 200/230V (Includes items 7 thru 9)
	01327.0000	2	Screw, Pan Head #10 - 32 x .375"
	01502.0000	2	Lockwasher, Split #10
7	28480.0000	1	Solenoid Valve Coil, 120V
	28020.0000	1	Solenoid Valve Coil, 200/230V
8	01111.0002	1	Solenoid Valve Repair Kit, 120V (Includes Plunger, Spring and O-ring)
9	28479.0000	1	Solenoid Valve Base Kit, 120V (Includes O-ring)
	28021.0000	1	Solenoid Valve Base Kit, 200/230V (Includes O-ring)
10	28481.0000	1	Guide Kit
11	00402.0001	1	Connector .250" Flare x .125" MPT
12	34969.0000	1	Tube Assy, Strainer to Solenoid .25" O.D.
13	23820.1000	1	Strainer Assy (Includes items 14 thru 16)
14	-----	1	Body (Not Available order item 13)
15	23721.0000	1	Screen
16	22249.0000	1	End Cap, Water Strainer
17	35085.0000	1	Tube Assy, Bulkhead to Strainer
18	00463.0000	1	Nut, Hex .438" - 20
19	01532.0000	1	Lockwasher, Internal Tooth .438" I.D.
20	00459.0000	1	Bulkhead Fitting .250" Flare
21	00310.0002	1	Tube Assembly, Bulkhead to Supply .25" O.D.
22	00436.0001	1	Union .250" Male Flare
23	00935.0000	1	Cap (For shipping purposes only)
24	M2517.0000	-	Sealant, Pipe 6 ml (Not illustrated)



# STRAINER, SOLENOID & LINES (Models with .38" Tubing)

DUAL TF



## STRAINER, SOLENOID & LINES

(Models with .38" Tubing)

ITEM	PART NO.	QTY.	DESCRIPTION
1	02536.0000	1	Grommet .375" I.D.
2	20937.0004	1	Tube, Tank Fill .38" O.D.
3	36089.0000	1	Tube Assembly, Solenoid to Tank .38" O.D.
4	36083.0000	1	Bracket, Solenoid Mounting
	36083.0001	1	Bracket, Solenoid Mounting (230/400V 3 Phase models only)
	02308.0000	2	Screw, Pan Head #8 - 32 x .375"
5	34768.0001	1	Elbow, Male .375" Flare x .125" MPT
6	36088.0000	1	Solenoid Valve Assy, 120V (Includes items 5 & 7)
	36088.0001	1	Solenoid Valve Assy, 200V (Includes items 5 & 7)
	36088.0005	1	Solenoid Valve Assy, 240V (Includes items 5 & 7)
	01317.0003	2	Screw, Truss Head #8 - 32 x .38" Locking
7	36085.0000	1	Connector .375" Flare x .125" MPT
8	35840.0000	1	Connector, Strainer to Solenoid (Early 230V models)
9	23720.0000	1	Strainer Assy, 230V (Includes items 10 thru 12)
10	-----	1	Body (Not Available order item 9)
11	23721.0000	1	Screen
12	22249.0000	1	End Cap, Water Strainer
13	36081.0000	1	Union, 120V and 200V
14	35085.0001*	1	Tube Assy, Bulkhead to Strainer .38" O.D. (Order <a href="#">35085.0004</a> , discard items 8 & 13)
	35085.0004	1	Tube Assy, Bulkhead to Strainer .38" O.D. (Late 200V and 230V models)
15		1	Gasket, U-channel 3.5" (Order item 25)
16		1	Bracket
	01315.0000	2	Screw, Truss Head #8-32 x .375"
17	12757.0000	1	Nut, Hex .625" - 20
18	01514.0000	1	Lockwasher, Internal Tooth .625" I.D.
19	12756.0000	1	Bulkhead Fitting .375" Flare
20	00310.0008	1	Tube Assembly, Bulkhead to Supply
21	36081.0000	1	Union .375" Male Flare
22	12919.0001	1	Cap (For shipping purposes only)
23	32359.0000	2	Gasket, .375" Flare Copper
Items 24 - 26 are not illustrated			
24	M2517.0000	-	Sealant, Pipe 6 ml (Not illustrated)
25	02434.1000	-	Gasket, U-channel 18.0" (Cut to required length)
26	36086.0000	1	Lead, GRN 10.0" (Ground for 230V Solenoid)

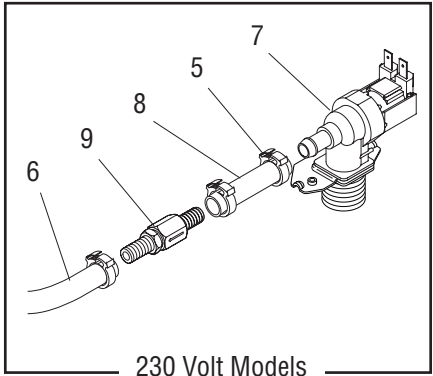
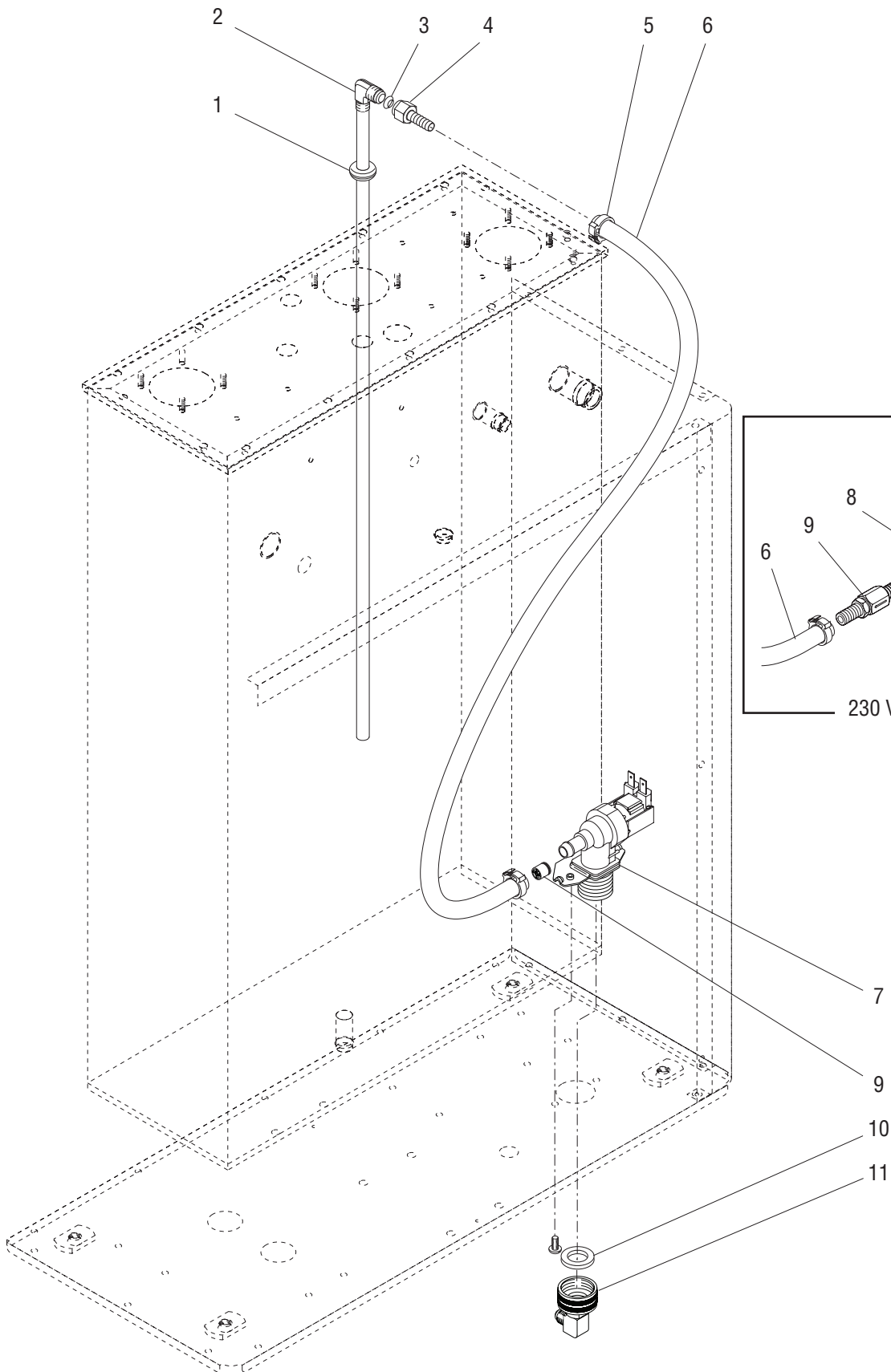
} Early 230V Models

\* Indicates the part number listed is for reference only. See DESCRIPTION for possible service replacement.



# INLET VALVE AND LINE

# DUAL TF



230 Volt Models

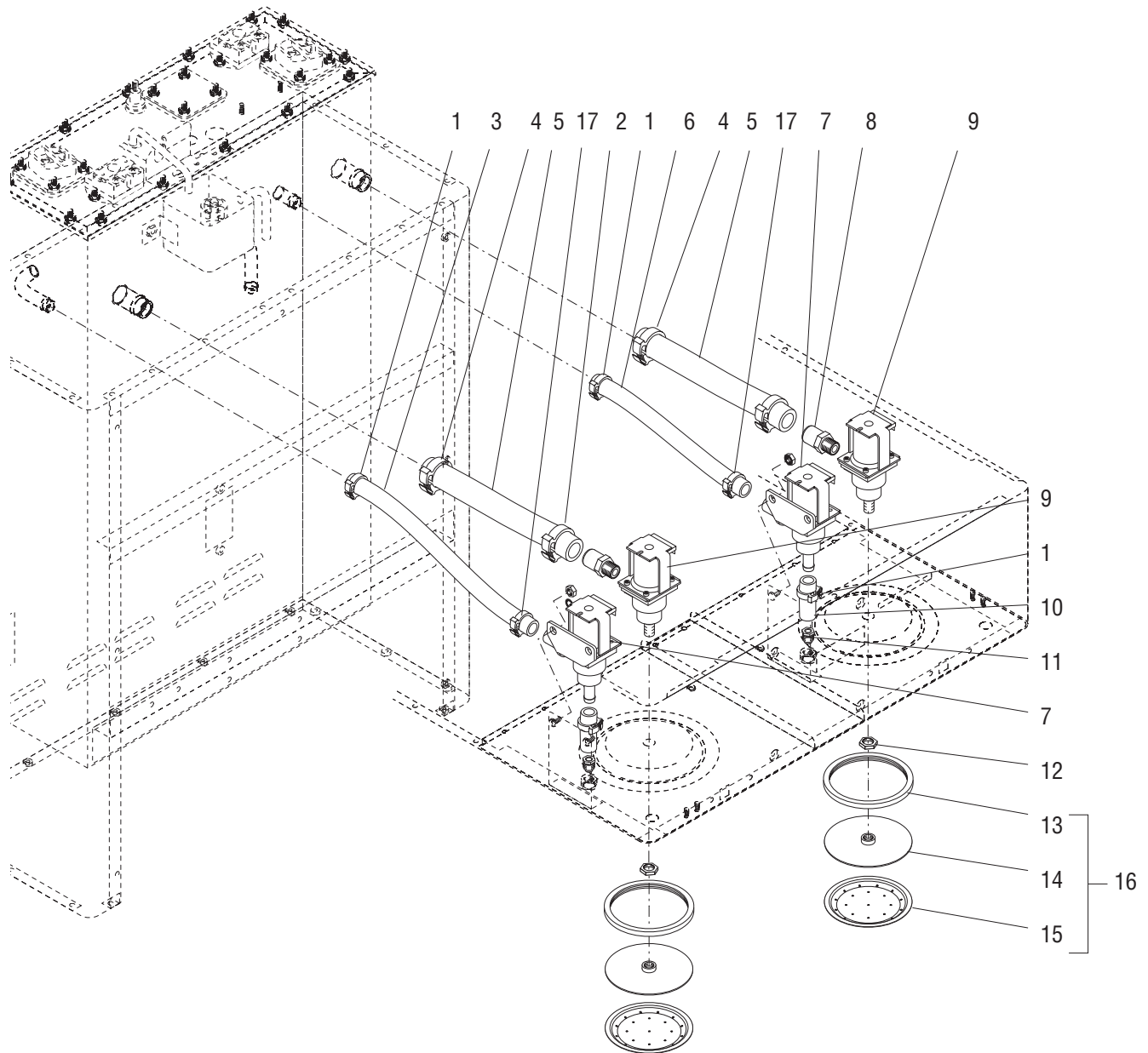
## INLET VALVE AND LINE

ITEM	PART NO.	QTY.	DESCRIPTION
1	02536.0000	1	Grommet .375" I.D.
2	20937.0004	1	Tube, Tank Fill
3	32359.0000	1	Gasket, .375" Flare Copper
4	12418.0001	1	Fitting, Swivel .375" Barb
5	12422.0001	2	Clamp, Hose .59"/.66" I.D
6	20976.0036*	1	Tube, Silicone .375" I.D. x .625" O.D. x 36.0" (Order item 12)
7	36233.0005	1	Valve, Water Inlet 120V
	36233.1006	1	Valve, Water Inlet 230V
	32283.0000	2	Screw, Pan Head M4 x 6MM
8	20976.0017*	1	Tube .375" ID x .625" OD x 2.0" (Order item 12) (230V Models)
9	36378.0001	1	Check Valve (Installed in item 6) (208V, 240V, 120/208V, 120/240V Models)
	40071.0001	1	Check Valve, .38" Barb (230V Models)
10	41640.0000	1	Gasket, .75" Hose Fitting
11	37297.1001	1	Elbow, .375" FLR x .75" FTNR
	37297.0004	1	Elbow, .375" Compression x .75" FTNR
12	20976.1000	-	Tube .375" ID x .625" OD x 12.0" (Use as required)
	20976.1001	-	Tube .375" ID x .625" OD x 36.0" (Use as required)
	20976.1002	-	Tube .375" ID x .625" OD x 120.0" (Use as required)



# SPRAYHEAD VALVE, WATER BY-PASS VALVE & SPRAYHEAD

## DUAL TF



## SPRAYHEAD VALVE, WATER BY-PASS VALVE & SPRAYHEAD

ITEM	PART NO.	QTY.	DESCRIPTION
1	12422.0005	2	Clamp, Hose .62"/.71" I.D.
2	12422.0005	4	Clamp, Hose .62"/.71" I.D.
3		1	Tube, Silicone .50" I.D. x .75" O.D. x 8.75" (Order item 18)
4	12422.0008	4	Clamp, Hose .93"/1.10" I.D.
5		2	Tube, Silicone .75" I.D. x 1.0" O.D. x 6.25" (Order item 19)
6		1	Tube, Silicone .50" I.D. x .75" O.D. x 6.50" (Order item 18)
7	27370.0008	2	Valve, Bypass 120V
	27370.0001	2	Valve, Bypass 200V
	27370.0005	2	Valve, Bypass 240V
	11517.0008	-	Repair Kit (Includes plunger, spring & diaphragm)
	23255.0000	-	Diaphragm Only
	22305.0001	2	Coil 120VAC
	22305.0002	2	Coil 240VAC
	22305.0003	2	Coil 200VAC
	23254.0000	8	Screw
	23256.0000	2	Spacer Plate
	00970.0000	4	Nut, KEPS #8-32
8	34956.0000	2	Fitting, .250" NPT x .75" I.D. Hose
9	26846.0000	2	Valve Assembly, Sprayhead 120V <b>(Discontinued, use 56771.0000)</b>
	26846.0001	2	Valve Assembly, Sprayhead 200V <b>(Discontinued, use 56771.0001)</b>
	26846.0002	2	Valve Assembly, Sprayhead 240V <b>(Discontinued, use 56771.0002)</b>
	11517.0008	-	Repair Kit (Includes plunger, spring & diaphragm)
	23255.0000	-	Diaphragm Only
	23254.0000	8	Screw
	23256.0000	2	Spacer Plate
	56771.0000	2	Valve Assembly, Sprayhead 120V
	56771.0001	2	Valve Assembly, Sprayhead 200V
	56771.0002	2	Valve Assembly, Sprayhead 240V
	56815.0000	-	Repair Kit (Includes plunger, spring & diaphragm)
	56816.0000	-	Diaphragm Only
	22305.0001	2	Coil 120VAC (used in both styles)
	22305.0002	2	Coil 240VAC (used in both styles)
10		2	Tube, Silicone .50" I.D. x .75" O.D. x 1.30" (Order item 18)
11	34801.0001	2	Fitting, Bypass Restrictor
12	01075.0000	2	Nut, Hex .438" - 20
13	34868.0000	2	Seal, Sprayhead
14	35070.0001	2	Sprayhead Back
15	34867.0004	2	Sprayhead
16	35308.1004	-	Sprayhead Assy
17	12422.0009	2	Clamp, Hose Snap .71/.80ID

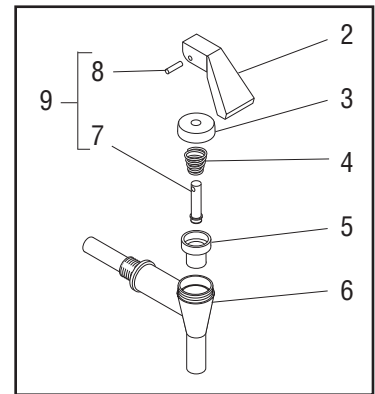
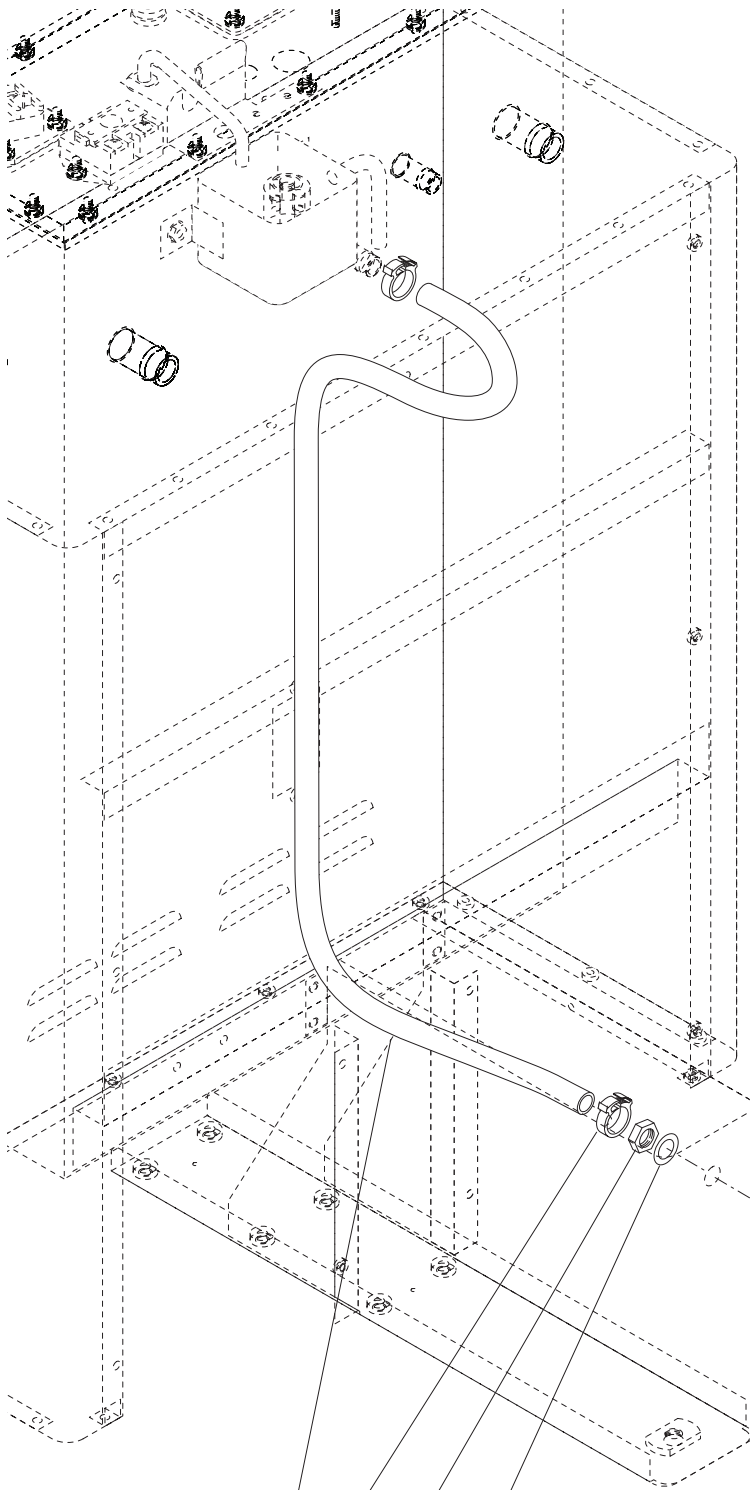
**The following items are not illustrated**

18	32591.1001	1	Tube, Silicone .50" I.D. x .75" O.D. x 12.0"
	32591.1002	1	Tube, Silicone .50" I.D. x .75" O.D. x 36.0"
19	35052.1000	1	Tube, Silicone .75" I.D. x 1.0" O.D. x 12.0"



# FAUCET

# DUAL TF



11 10 14 15

1

## FAUCET

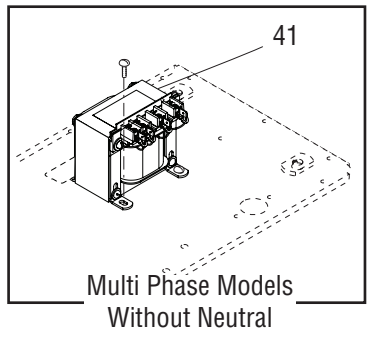
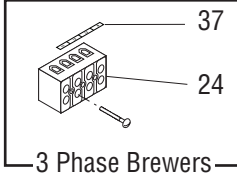
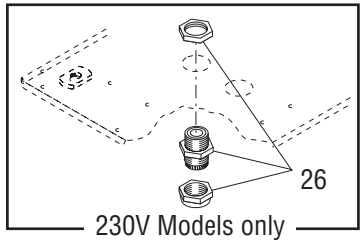
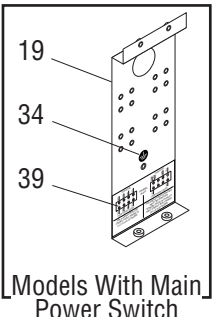
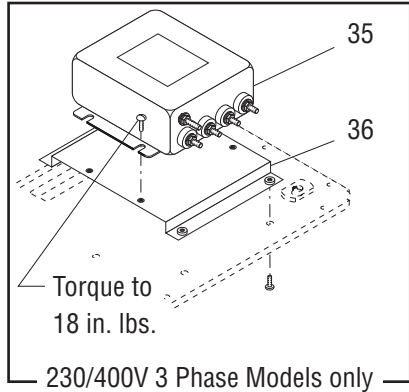
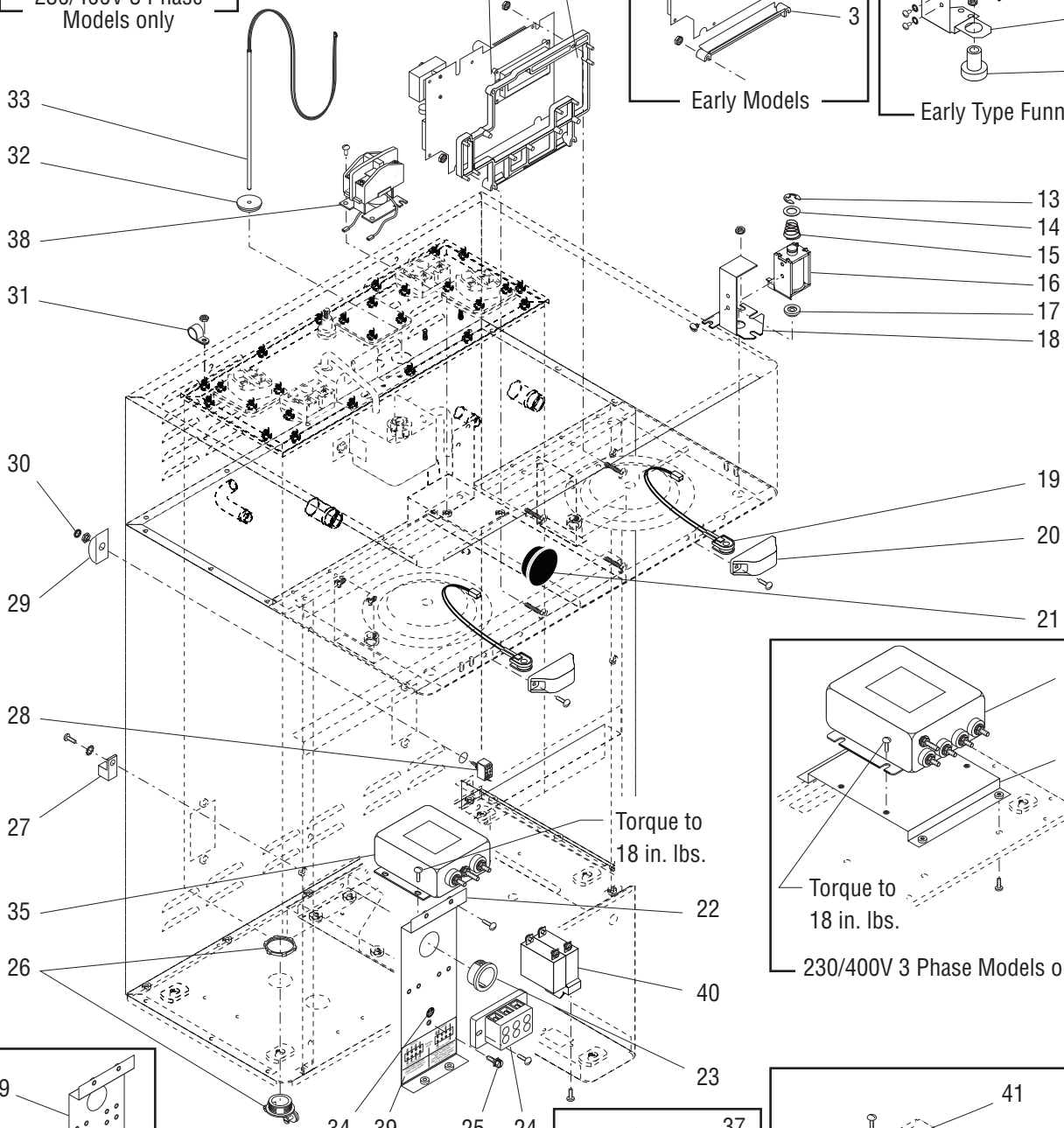
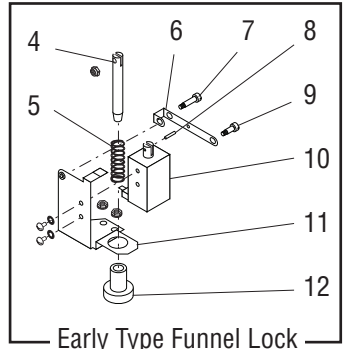
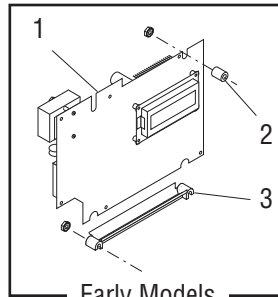
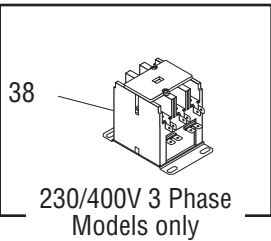
ITEM	PART NO.	QTY.	DESCRIPTION
1	29075.0002	1	Faucet Assy (Includes items 2 thru 8)
2	02861.0103	1	Handle, Faucet
3	02854.0000	1	Bonnet, Faucet
4	02595.0000	1	Spring, Faucet
5	02766.0000	1	Seat Cup, Faucet
6	-----	1	Body, Faucet (Not available, order item 1)
7	13054.0000	1	Stem, Faucet
8	02858.0000	1	Pin, Spring .125" Dia. x .50"
9	02594.0000	1	Faucet Stem W/Pin (Includes items 7 & 8)
10	12422.0001	2	Clamp, Hose .59"/.66" I.D.
11	20976.0071*	1	Tube, Silicone .375" I.D. x .625" O.D. x 42.0" (Order item 18) (Late models)
12		1	
13		1	
14	29264.0000	1	Nut, Faucet Retaining (Late Models)
15	01532.0005	1	Washer, Intl Tooth .50" Lock
16	28706.0004	-	Faucet Kit (Includes items 2,4 ,5 ,8 & 9)
17	28526.1001	1	Tube, Silicone .313" I.D. x .562" O.D. x 36.0"
	28526.1002	1	Tube, Silicone .313" I.D. x .562" O.D. x 60.0"
18	20976.1001	-	Tube .375" ID x .625" OD x 36.0" (Use as required)
	20976.1002	-	Tube .375" ID x .625" OD x 120.0" (Use as required)

} Not Illustrated



# ELECTRICAL CONTROLS

# DUAL TF



## ELECTRICAL CONTROLS

ITEM	PART NO.	QTY.	DESCRIPTION	
1	29969.1000	1	Circuit Board, Main control (120/208V & 120/240V models)	
	29969.1003	1	Circuit Board, Main control (200V & 240V models)	
	29969.1161	1	Circuit Board, Main control (120/240V) ((Brewers with Product # 34600.0036 only)	
	38358.1000	1	Circuit Board, Main control (230V models)	
	38358.1001	1	Circuit Board, Main control (230/400V models)	
	00973.0000	2	Nut, Keps #6-32	
2	01533.0010	2	Spacer (Early models)	
3	29970.0000	1	Mount, Circuit Board (Early models)	
	40726.0000	1	Mount, Circuit Board (Late models)	
	00973.0000	2	Nut, Keps #6-32	
4	29494.0000	2	Pin, Funnel Stop	} Early Type Funnel Lock
5	28897.0000	2	Spring, Compression	
6	29493.0000	2	Lever	
7	29504.0001	2	Shoulder Screw	
8	26247.0001	2	Pin, Spring	
9	29504.0000	2	Shoulder Screw	
	00991.0000	2	Nut, Elastic Lock #8-32	
10	29503.0000	2	Coil, Solenoid, 120V	
	29503.0001	2	Coil, Solenoid, 230V	
	01519.0000	4	Lockwasher, Split #8	
	33613.0000	4	Screw, Truss Head #8-32 x .25"	
11	29492.0000	2	Bracket, Solenoid	} Late Type Funnel Lock Also see item 53
	00970.0000	4	Nut, Keps #8-32	
12	29495.0000	2	Guide, Pin	
13	39981.0000	2	Ring, Solenoid	
14	-----	2	Washer, Nylon .44" ID x .68" OD	
15	39982.0000	2	Spring, Solenoid	
16	35955.0000	2	Coil, Solenoid, 120V	
	35955.0001	2	Coil, Solenoid, 230V	
	35955.0002	2	Coil, Solenoid, 200V	
	33613.0000	4	Screw, Truss Head #8-32 x .25"	
	01519.0000	4	Lockwasher, Split #8	
17	35953.0000	2	Guide, Pin	
18	38280.0000	2	Bracket, Solenoid	
	00970.0000	4	Nut, Keps #8-32	
19	-----	2	Sensing Coil WO/Leads (Early models) (Not available order item 52)	} Late models
	32572.1001	1	Sensing Coil W/Violet Leads (Includes plug below)	
	32572.1002	1	Sensing Coil W/Yellow Leads (Includes plug below)	
	20621.0000	2	Plug, hole .203" Dia. (Not illustrated)	
20	32573.0000	2	Cover, Sensing Coil	
	01382.0007	4	Screw, Truss Head #6-32 x .38"	
21	32018.0000	1	Bumper (Early models)	

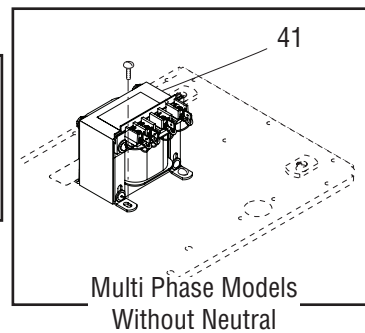
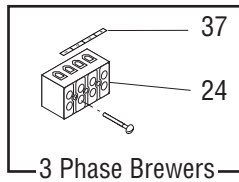
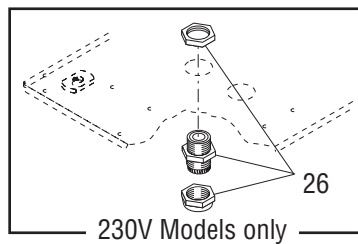
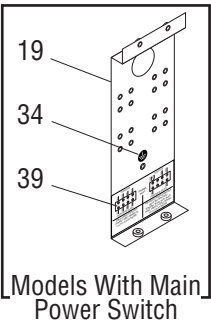
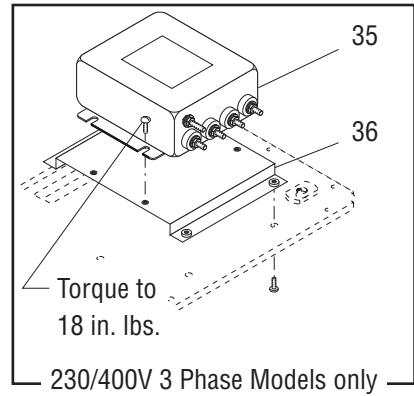
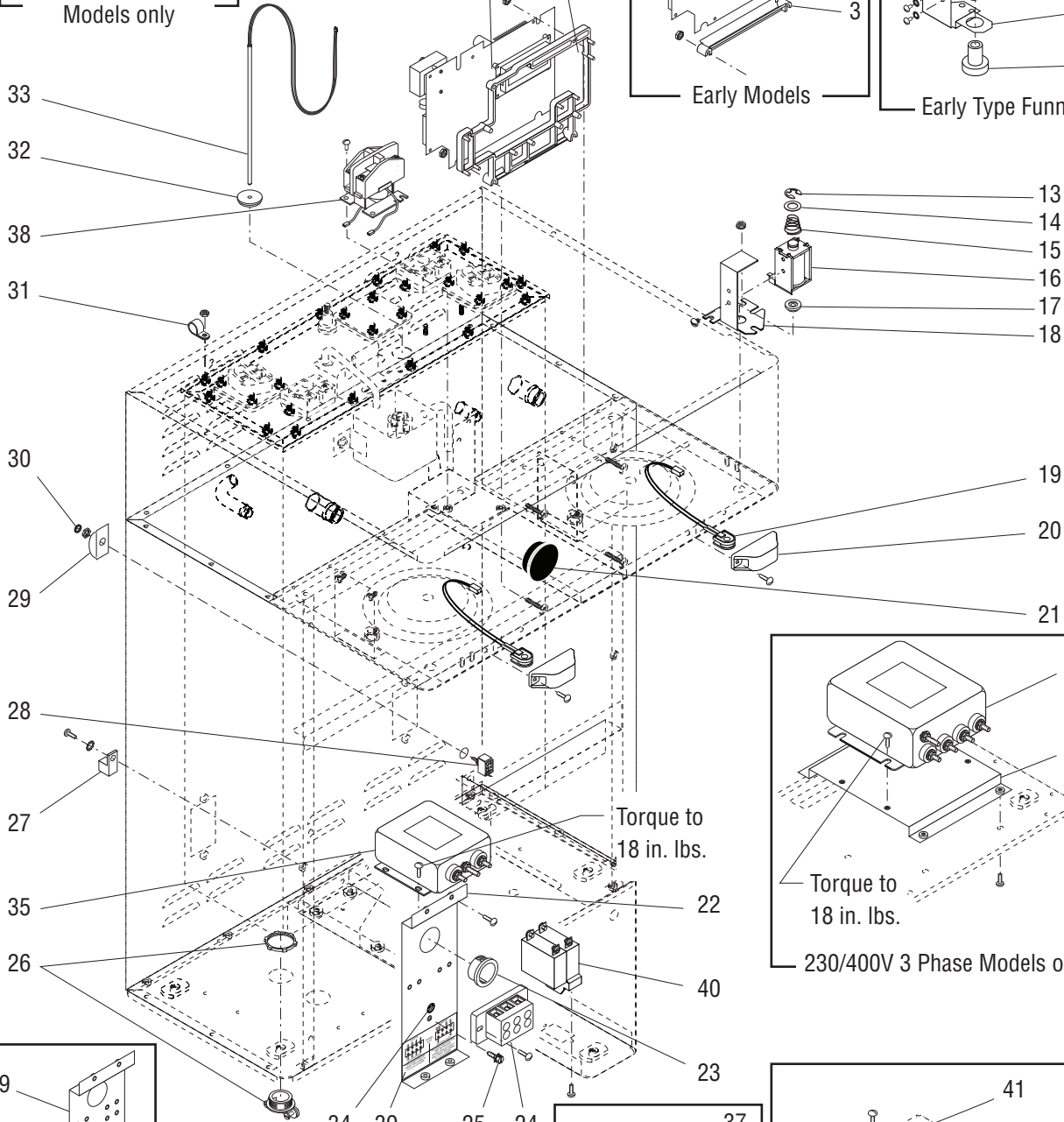
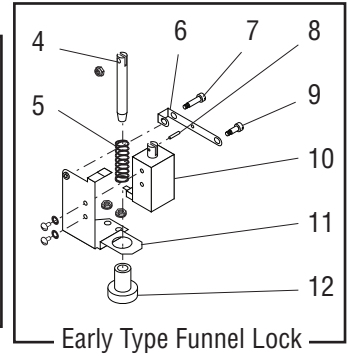
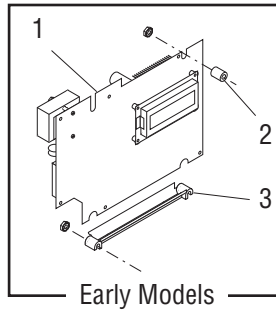
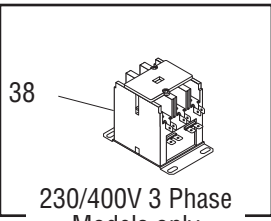
(Continued)

\* Indicates the part number listed is for reference only. See DESCRIPTION for possible service replacement.



# ELECTRICAL CONTROLS

# DUAL TF



## ELECTRICAL CONTROLS

ITEM	PART NO.	QTY.	DESCRIPTION
22	34675.0000	1	Bracket, Terminal Block Mounting
	34675.0001	1	Bracket, Terminal Block Mounting (Models with Main On/Off Switch)
	02308.0000	4	Screw, Pan Head #8-32 x .38"
23	01592.0001	1	Bushing, Snap 1.188" Dia. hole
24	01106.0000	1	Terminal Block, 2 Pole WHITE/BLACK
	01106.0001	1	Terminal Block, 2 Pole RED/BLACK
	01106.0003	1	Terminal Block, 2 Pole BLUE/BROWN
	07038.0000	1	Terminal Block, 3 Pole RED/WHITE/BLACK
	07038.0001	1	Terminal Block, 3 Pole RED/BLUE/BLACK
	07038.0002	1	Terminal Block, 3 Pole BLACK /RED/BLUE
	21869.0000	1	Terminal Block, 4 Pole
	01317.0000	2	Screw, Truss Head #8-32 x .50" (2 & 3 pole terminal blocks)
38030.0000	2	Screw, FilisterHead #8 - 32 x 1.25" (4 pole terminal block)	
25	01309.0000	1	Ground Screw W/Terminal Washer #10-32 x .50"
26	01590.0000	1	Connector, Cable .75" NPS
	01590.0001	1	Connector, Cable 1.0" NPS
	32833.0000	1	Strain Relief, Cord (230V models only)
	01531.0000	1	Reducing Washer (230V)
27	27705.0000	1	Terminal Lug, #4-14AWG (200V & 230V models)
	01375.0000	1	Screw, Pan Head #10-32 x .50"
	01512.0000	1	Lockwasher, Ext. Tooth #10
28	55439.0000	1	Switch, Toogle DPST On/Off, 250V 20A
29	25102.0000	1	Bracket, Switch Indicator/Guard
30	23696.0000	1	Facenut, Hex .469" - 32
31	04831.0000	1	Clamp, Cable .438" I.D.
32	12570.0000	1	Grommet, Temperature Sensor
33	29327.0000	1	Probe Kit, Temperature/Dry Plug
34	00824.0002	1	Decal, Ground
35	29446.0002	1	EMI Filter, European Appr 30 amp (200V & 230V models)
	01347.0000	4	Screw, Truss Head #6 - 32 x .375"
	00973.0000	4	Nut, Keps #6-32
	29446.0005	1	EMI Filter, European Appr 36 amp (Brewer Model #34600.0020 only)
	01327.0000	4	Screw, Pan Head #10-32 x .38"
36	38108.0000	1	Bracket, EMI Filter Mounting (Brewer Model #34600.0020 only)
	01327.0000	2	Screw, Pan Head #10-32 x .38"
37	34588.0001	1	Decal, Terminal Block (L1-L2-L3-N)
38	06335.1000	1	Contact, 120V Coil
	38045.0000	1	Contact, 3-pole 208/240V
	02308.0000	2	Screw, Pan Head #8 - 32 x .375"
39	37947.0000	1	Decal, Field Wiring 3PH/1PH (Brewer Model #34600.0020 only)
	37947.0004	1	Decal, Field Wiring 3PH/1PH (Brewer Model #34600.0029 only)
40	38894.0001	1	Switch, Main Power
	38894.0002	1	Switch, Main Power (120/208V 3 Phase models only)
	01308.0002	2	Screw, Truss Head #6-32 x .25" (Switch Mounting)
	01327.0000	4	Screw, Pan Head #10-32 x .375"
	01512.0000	4	Lockwasher, External Tooth #10

} Brewer Model #34600.0020 only

} 3 Phase Brewers only

} Terminals

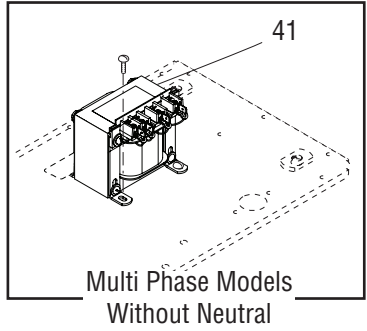
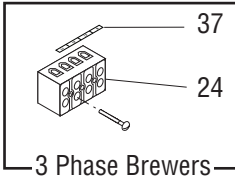
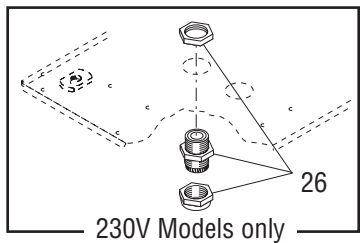
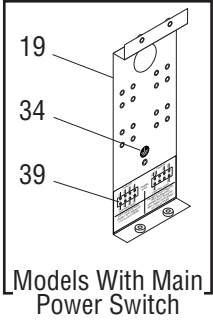
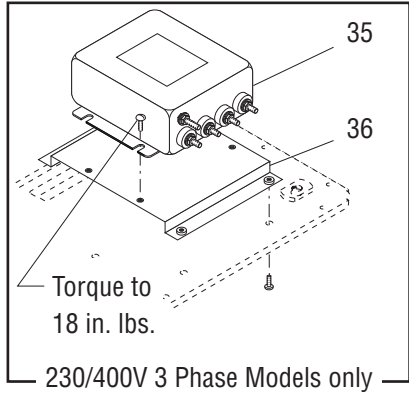
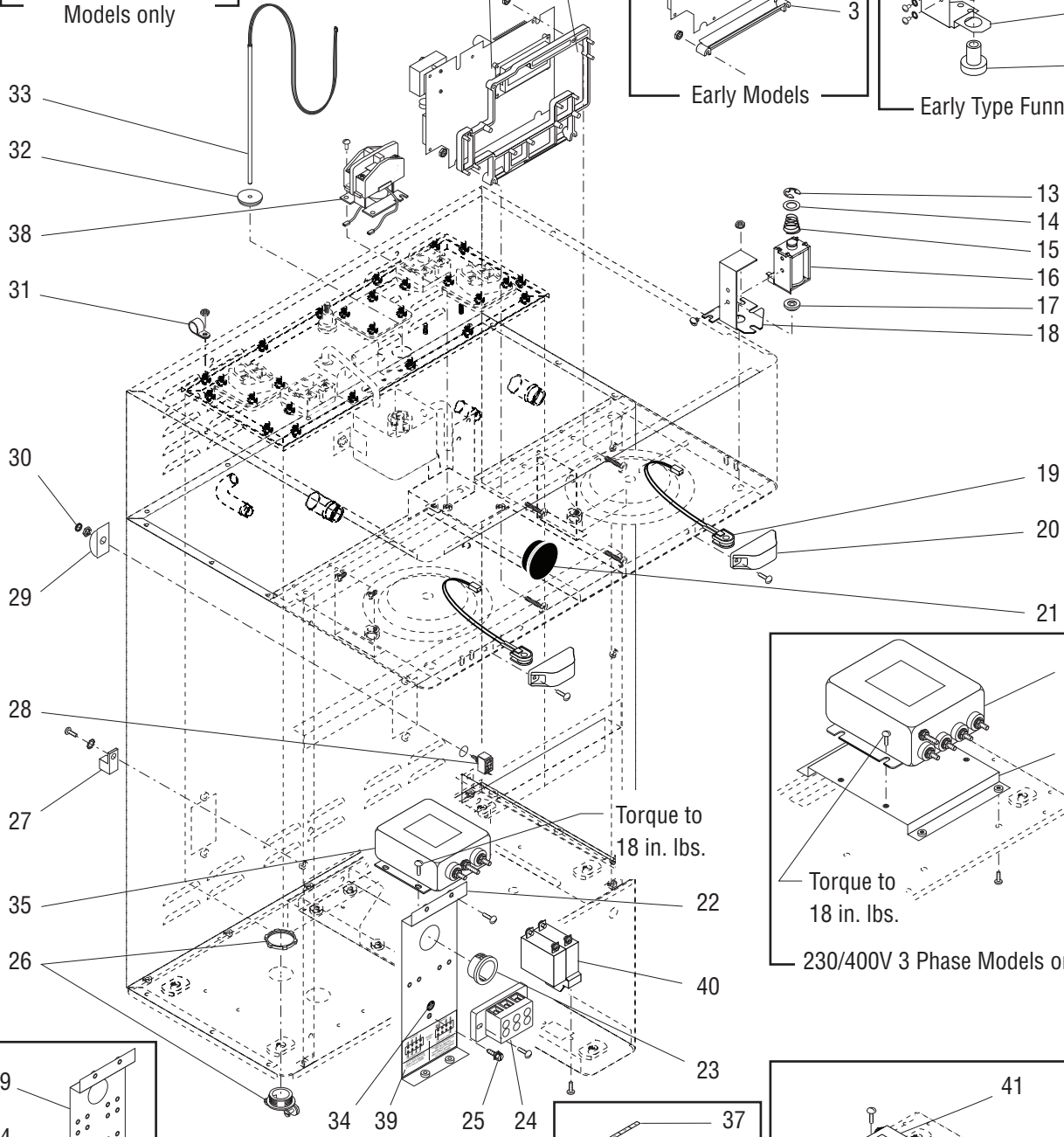
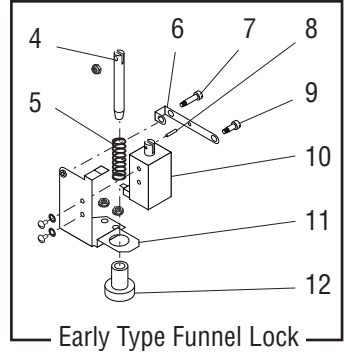
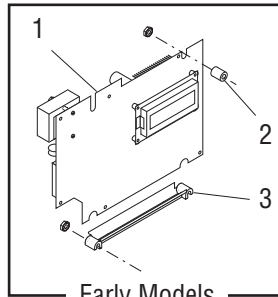
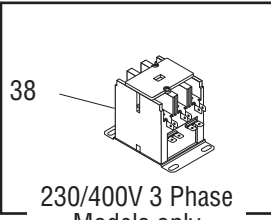
(Continued)

\* Indicates the part number listed is for reference only. See DESCRIPTION for possible service replacement.



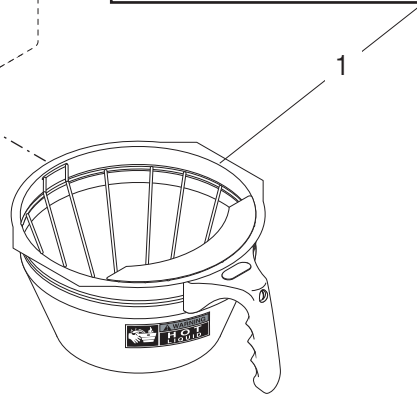
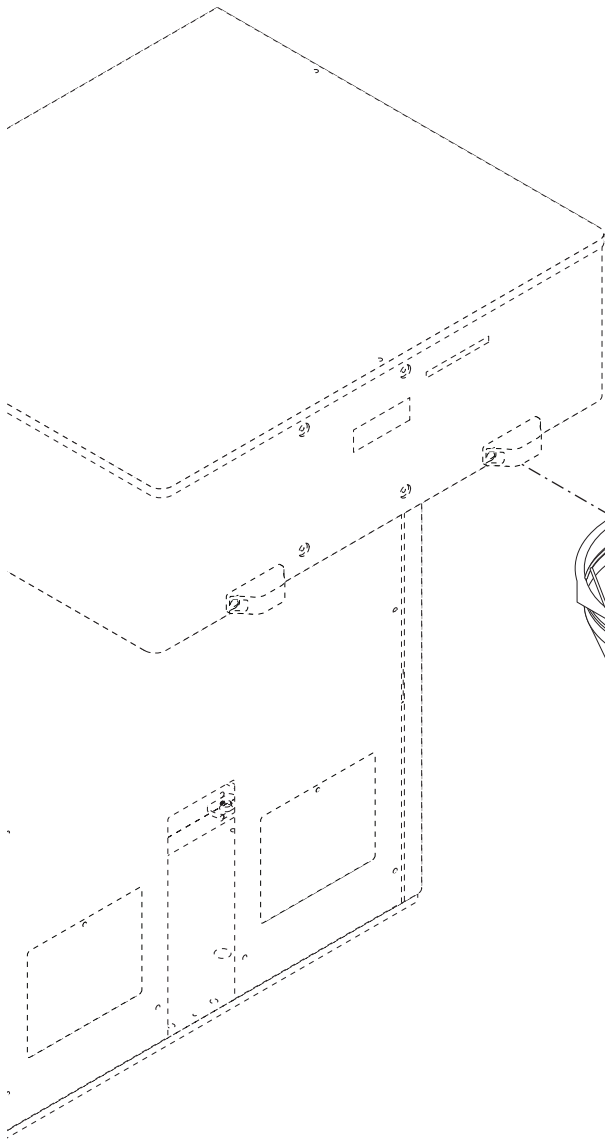
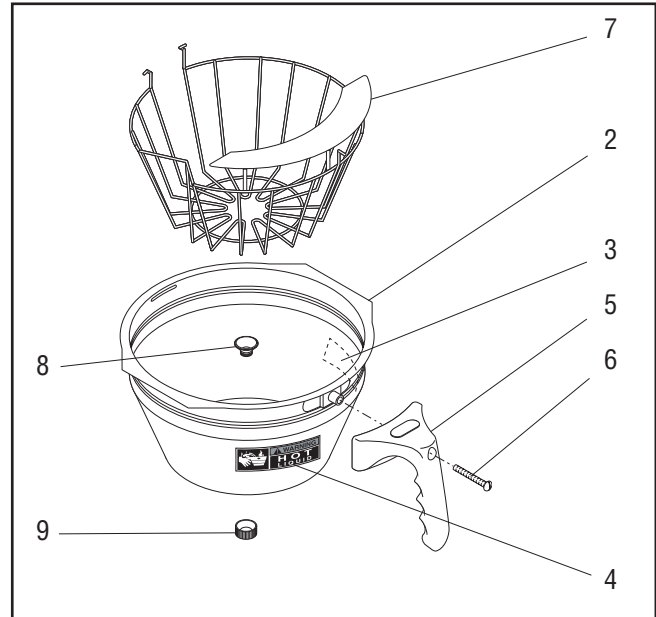
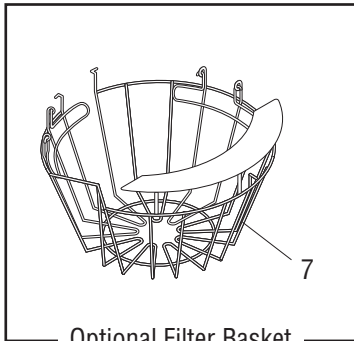
# ELECTRICAL CONTROLS

# DUAL TF



## ELECTRICAL CONTROLS

ITEM	PART NO.	QTY.	DESCRIPTION
41	42738.1001	1	Transformer, Stepdown 208-240 to 120V (Multi Phase Models Without Neutral)
	01330.0000	2	Screw, Washer Head #10-32 x .38"
NOTE: The following items are not illustrated			
42	35069.0000	1	Wiring Harness, Contactor (120/208V 3 Phase models only)
	37862.0003	1	Wiring Harness, Contactor (Used with Brewer Product #34600.0020 only)
43	33634.0003	1	Wiring Harness, Main (120/208V & 120/240V models) (Brewers prior to 08/05/05)
	33634.0018	1	Wiring Harness, Main (120/208V & 120/240V models) (Brewers after 08/05/05)
	33634.0028	1	Wiring Harness, Main 120/208V & 120/240V models (Models W/Inlet Valve in Base)
	33634.0004	1	Wiring Harness, Main (200V & 230V models) (Brewers prior to 08/05/05)
	33634.0019	1	Wiring Harness, Main (200V & 230V models) (Brewers after 08/05/05)
	33634.0011	1	Wiring Harness, Main (240V models) (Brewers prior to 08/05/05)
	33634.0023	1	Wiring Harness, Main (240V models) (Brewers after 08/05/05)
	33634.0029	1	Wiring Harness, Main (240V models) (Models W/Inlet Valve in Base)
	33634.0012	1	Wiring Harness, Main (Used with Brewer Product #34600.0020 only)
	33634.0024	1	Wiring Harness, Main (Used with Brewer Product #34600.0010 & 34600.0011 only)
44	34707.0000	1	Wiring Harness, EMI Filter/Term Block (200V & 230V models)
	37859.0001	1	Wiring Harness, EMI Filter/Term Block (230/400V 3 Phase models)
45	38166.0000	1	Wiring Harness, ON/OFF Switch (Brewer Model #34600.0020 only)
46	37859.0002	1	Wiring Harness, Main Power Switch
	37859.0003	1	Wiring Harness, Main Power Switch (230/240V 3 Phase except #34600.0020)
47	42739.0000*	1	Wiring Harness, Transformer to Terminal Block (208-240V 3 Phase models only)
48	38444.0000	1	Lead Assy, 18 AWG White 6.0" (120/208V 3 Phase models only)
49	21012.0132	3	Lead, Assy, 12 AWG Red 5.5"
50	21003.0416	1	Lead Assy, 18 AWG Red 13.5"
51	34808.0002	1	Capacitor Assy, EMI Filter
52	38338.0000	-	Kit, Funnel Sensors (Includes left and right Funnel Sensor Coils W/Leads)
53	35952.1003	-	Solenoid Assy, Funnel Lock 120V (Includes items 13 thru 18)
	35952.1004	-	Solenoid Assy, Funnel Lock 200V (Includes items 13 thru 18)
	35952.1005	-	Solenoid Assy, Funnel Lock 230V (Includes items 13 thru 18)



## FUNNEL

ITEM	PART NO.	QTY.	DESCRIPTION
1	32643.0000	2	Funnel Assy, SST
	32643.0010	2	Funnel Assy W/D-Ring Basket, SST (Optional)
			] Each includes Items 2 thru 9
2	24462.0002	1	Funnel W/Decals (Includes items 3 & 4)
3	03408.0004	1	Decal, Warning-Remove Funnel
4	03409.0004	1	Decal, Warning-Hot Liquid
5	32595.0000	1	Handle, Funnel-Black
6	12499.0002	1	Screw, Round Head .25" - 20 x 1.50" BLK
7	33089.0000	1	Filter Basket w/Splash Guard
	33089.0001	1	Filter Basket w/Splash Guard & D-Rings (Optional)
8	32139.0000	1	Insert, Funnel Tip - Male (Refer to item 10)
9	32140.0000	1	Insert, Funnel Tip - Female (Refer to item 10)
10	01031.0001	-	Funnel Tip Kit (Includes items 8 & 9)