



BUNN[®]
Quality Since 1840

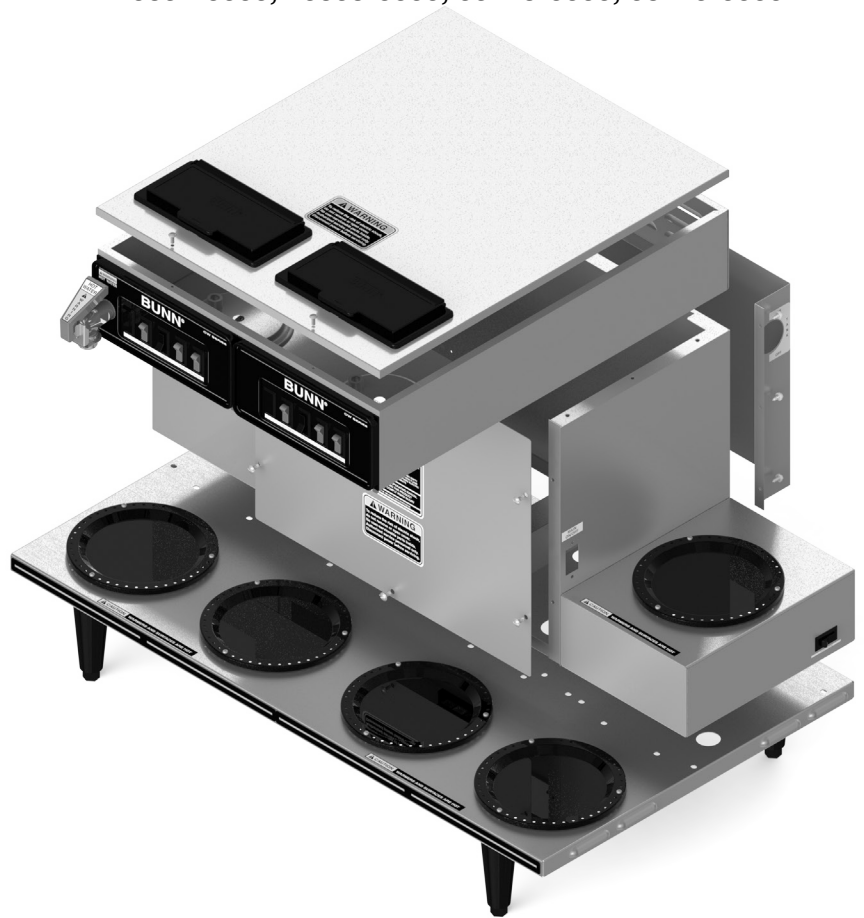
C, CT, CW, CWTF
Series

***Including DV, MV, Pourover,
APS/TC/TS, Twins & Single CW***

Supersedes Illustrated Parts Catalogs:

10716.###; 10789.###; 10790.0000;

10834.0000; 10895.0000; 33175.0000; 35279.0000



ILLUSTRATED PARTS CATALOG

Designs, materials, weights, specifications, and dimensions for equipment or replacement parts are subject to change without notice.

BUNN-O-MATIC CORPORATION
POST OFFICE BOX 3227
SPRINGFIELD, ILLINOIS 62708-3227
PHONE: (217) 529-6601 FAX: (217) 529-6644



BUNN-O-MATIC COMMERCIAL PRODUCT WARRANTY

Bunn-O-Matic Corp. ("BUNN") warrants equipment manufactured by it as follows:

- 1) Airpots, thermal carafes, decanters, GPR servers, iced tea/coffee dispensers, MCR/MCP/MCA single cup brewers, thermal servers and ThermoFresh® servers (mechanical and digital) 1 year parts and 1 year labor.
- 2) All other equipment - 2 years parts and 1 year labor plus added warranties as specified below:
 - a) Electronic circuit and/or control boards - parts and labor for 3 years.
 - b) Compressors on refrigeration equipment - 5 years parts and 1 year labor.
 - c) Grinding burrs on coffee grinding equipment to grind coffee to meet original factory screen sieve analysis - parts and labor for 4 years or 40,000 pounds of coffee, whichever comes first.

These warranty periods run from the date of installation BUNN warrants that the equipment manufactured by it will be commercially free of defects in material and workmanship existing at the time of manufacture and appearing within the applicable warranty period. This warranty does not apply to any equipment, component or part that was not manufactured by BUNN or that, in BUNN's judgment, has been affected by misuse, neglect, alteration, improper installation or operation, improper maintenance or repair, non periodic cleaning and descaling, equipment failures related to poor water quality, damage or casualty. In addition, the warranty does not apply to replacement of items subject to normal use including but not limited to user replaceable parts such as seals and gaskets. This warranty is conditioned on the Buyer 1) giving BUNN prompt notice of any claim to be made under this warranty by telephone at (217) 529-6601 or by writing to Post Office Box 3227, Springfield, Illinois 62708-3227; 2) if requested by BUNN, shipping the defective equipment prepaid to an authorized BUNN service location; and 3) receiving prior authorization from BUNN that the defective equipment is under warranty.

THE FOREGOING WARRANTY IS EXCLUSIVE AND IS IN LIEU OF ANY OTHER WARRANTY, WRITTEN OR ORAL, EXPRESS OR IMPLIED, INCLUDING, BUT NOT LIMITED TO, ANY IMPLIED WARRANTY OF EITHER MERCHANTABILITY OR FITNESS FOR A PARTICULAR PURPOSE. The agents, dealers or employees of BUNN are not authorized to make modifications to this warranty or to make additional warranties that are binding on BUNN. Accordingly, statements by such individuals, whether oral or written, do not constitute warranties and should not be relied upon.

If BUNN determines in its sole discretion that the equipment does not conform to the warranty, BUNN, at its exclusive option while the equipment is under warranty, shall either 1) provide at no charge replacement parts and/or labor (during the applicable parts and labor warranty periods specified above) to repair the defective components, provided that this repair is done by a BUNN Authorized Service Representative; or 2) shall replace the equipment or refund the purchase price for the equipment.

THE BUYER'S REMEDY AGAINST BUNN FOR THE BREACH OF ANY OBLIGATION ARISING OUT OF THE SALE OF THIS EQUIPMENT, WHETHER DERIVED FROM WARRANTY OR OTHERWISE, SHALL BE LIMITED, AT BUNN'S SOLE OPTION AS SPECIFIED HEREIN, TO REPAIR, REPLACEMENT OR REFUND.

In no event shall BUNN be liable for any other damage or loss, including, but not limited to, lost profits, lost sales, loss of use of equipment, claims of Buyer's customers, cost of capital, cost of down time, cost of substitute equipment, facilities or services, or any other special, incidental or consequential damages.

392, A Partner You Can Count On, Air Infusion, AutoPOD, AXIOM, BrewLOGIC, BrewMETER, Brew Better Not Bitter, BrewWISE, BrewWIZARD, BUNN Espresso, BUNN Family Gourmet, BUNN Gourmet, BUNN Pour-O-Matic, BUNN, BUNN with the stylized red line, BUNNlink, Bunn-O-Matic, Bunn-O-Matic, BUNNserve, BUNNSERVE with the stylized wrench design, Cool Froth, DBC, Dr. Brew stylized Dr. design, Dual, Easy Pour, EasyClear, EasyGard, FlavorGard, Gourmet Ice, Gourmet Juice, High Intensity, iMIX, Infusion Series, Intellisteam, My Café, Phase Brew, PowerLogic, Quality Beverage Equipment Worldwide, Respect Earth, Respect Earth with the stylized leaf and coffee cherry design, Safety-Fresh, savemycoffee.com, Scale-Pro, Silver Series, Single, Smart Funnel, Smart Hopper, SmartWAVE, Soft Heat, SplashGard, The Mark of Quality in Beverage Equipment Worldwide, ThermoFresh, Titan, trifacta, TRIFECTA (stylized logo), Velocity Brew, Air Brew, Beverage Bar Creator, Beverage Profit Calculator, Brew better, not bitter., Build-A-Drink, BUNNSource, Coffee At Its Best, Cyclonic Heating System, Daypart, Digital Brewer Control, Element, Milk Texturing Fusion, Nothing Brews Like a BUNN, Picture Prompted Cleaning, Pouring Profits, Signature Series, Sure Tamp, Tea At Its Best, The Horizontal Red Line, Ultra are either trademarks or registered trademarks of Bunn-O-Matic Corporation. The commercial trifacta® brewer housing configuration is a trademark of Bunn-O-Matic Corporation.

TABLE OF CONTENTS

TOP COVERS	4
HOOD ASSEMBLIES	8
TRUNKS.....	10
BASES.....	16
TANK AND COMPONENTS	20
FILL BASIN	24
MANIFOLDS-LATER TWINS.....	26
STRAINER/FLOW CONTROLS-EARLY TWINS.....	28
MANIFOLDS-LATER SINGLES.....	30
STRAINER/FLOW CONTROLS-SECOND STYLE SINGLES.....	32
STRAINER/FLOW CONTROLS-FIRST STYLE SINGLES.....	34
FILL SOLENOIDS	36
FAUCET	38
WARMER ASSEMBLIES.....	40
ELECTRICAL AND OPERATING CONTROLS	42
FUNNELS	52
NUMERICAL INDEX	54

Explanation of codes:

- 15** - All components in machine are rated for 120 Volts ac, (15 Amps)
- 20** - All components in machine are rated for 120 Volts ac, (20 Amps)
- 35 (120/240V)** - Tank heater rated for 240 volts ac, all other components rated for 120 volts ac (20 Amps)
- DV** - Dual Voltage. 2 tank heaters with toggle switch
- MV** - Multi Voltage. 2 tank heaters with terminal block. (Replaced by DV)
- A** - All components in machine are rated for 240 volts ac.
- B** - All components are rated for either 100 volts ac, or 200 volts ac.
- C** - Canadian models only
- CE** - European models only.
- TWIN** - 2 brewers in 1 chassis.
- APS** - Airpot Server (No warmers)
- TC** - Thermal Carafe (No warmers)
- TS** - Thermal Server (No warmers)

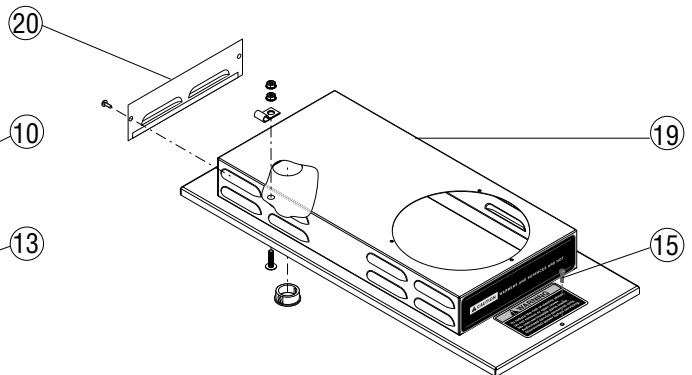
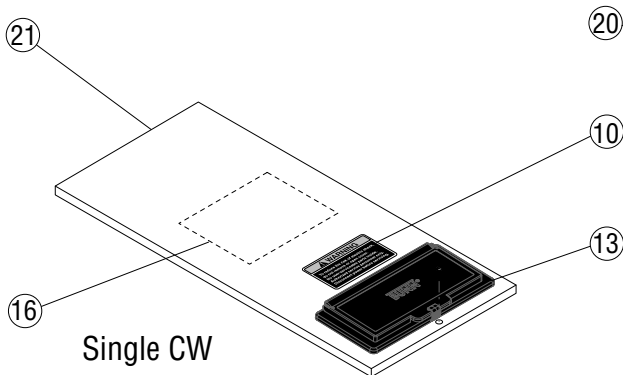
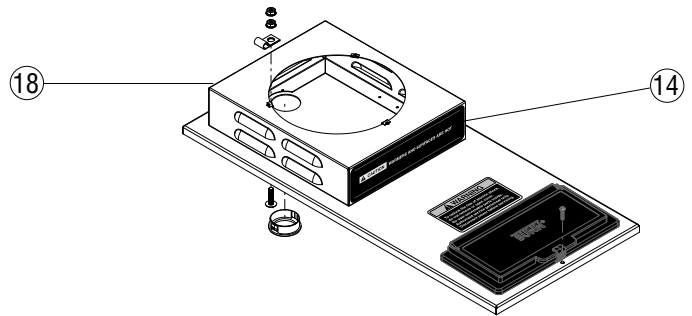
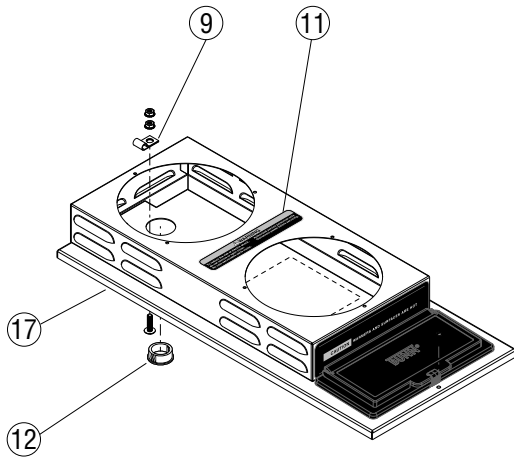
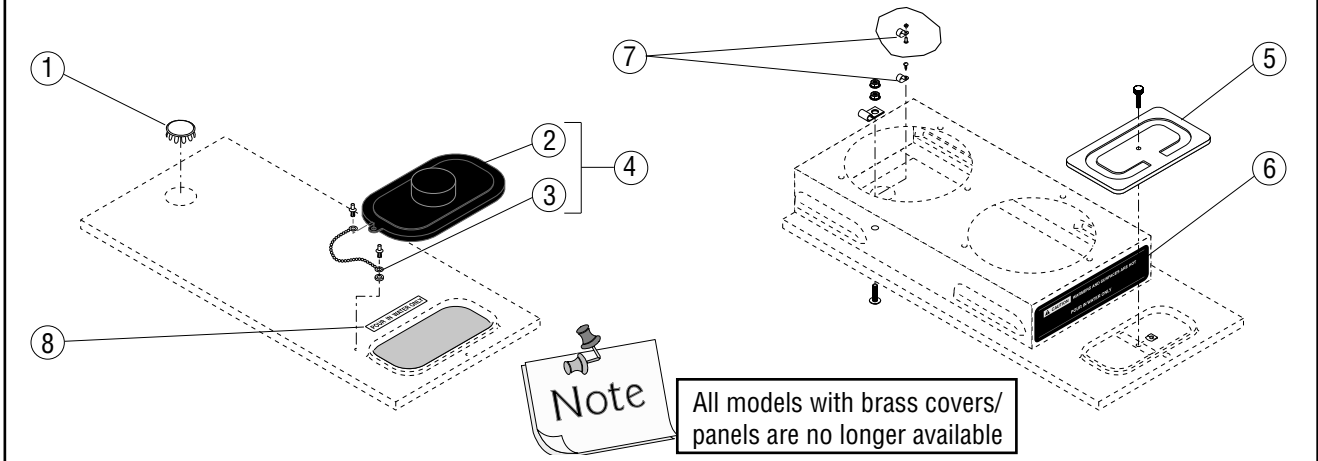
Fraction	Decimal		Fraction	Decimal
1/16	0.063		9/16	0.563
1/8	0.125		5/8	0.625
3/16	0.188		11/16	0.688
1/4	0.250		3/4	0.750
5/16	0.313		13/16	0.813
3/8	0.375		7/8	0.875
7/16	0.438		15/16	0.938
1/2	0.500		1	1.000



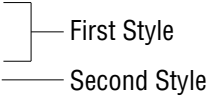

TOP COVER ASSEMBLIES-SINGLES

C/CT/CWTF
Series

Pour in lids for earlier models



TOP COVER ASSEMBLIES-SINGLES

ITEM	PART NO.	QTY. TWIN	QTY. SINGLE	DESCRIPTION
1	02999.0000	-	1	Plug, SST 1.19" Dia.
2	13110.0000	-	1	Lid
3	12978.0000	-	1	Chain Assembly
4	12981.0001	-	1	Lid/Chain Kit (Includes # 2-3)
5	02722.0000	2	1	Lid, Pour-in SST
	02722.0001	2	1	Lid, Pour-in BLK
	01319.0000	2	1	SST thumbscrew # 8-32 x .75"
	01319.0000	2	1	BLK thumbscrew # 8-32 x .75"
	00912.0000	2	1	Fastener, "J" Type # 8-32
6	02763.0000	-	1	Decal, Caution-Warmers and Surfaces are Hot - Pour in Water Only
7	04831.0000	1	1	Clamp
	01315.0000	1	1	Screw, Truss Head #8-32 x .375"
	00908.0000	1	1	Nut #8-32
	02332.0002	1	1	Screw, Hex-crimptite #6-32 X .375"
				
8	00833.0000	-	1	Decal, Pour in Water Only
9	41760.0000	2	1	Clip, Cable - SST
	01326.0007	2	1	Screw, TRH SLTD 10-32x.75LG
	00971.0000	4	2	Nut, Keps #10-32 Zinc Pl
				
10	37881.0000	1	1	Decal, No User Serviceable Parts
11	37881.0002	-	1	Decal, No User Serviceable Parts
12	01592.0000	2	1	Bushing, Snap 1" Dia.
	01592.0001	1	1	Bushing, Snap 1.188" Dia.
13	38498.1000	2	1	Flip Lid Assembly w/Clip
14	02765.0000	1	-	Decal, Caution-Warmers are Hot
15	01303.0000	2	1	Screw, SST Panhead #4-40 x .5"
	01303.0002	2	1	Screw, BLK Panhead #4-40 x .5"
	00916.0000	2	1	Fastener, "J" Type # 4-40
16	28180.0000	-	1	Decal, Multi Volt Heater Terminal Block Wiring Diagram
17	38496.1002	-	1	Top Cover Assy. 2 Warmer SST (Includes # 11-14)
	40085.1000*	-	1	Top Cover Assy. 2 Warmer BLK (OBS)
18	38496.1000	-	1	Top Cover Assy. 1 Warmer Rear SST (Includes # 11-14)
19	25633.0002	-	1	Top Cover Assy. 1 Warmer Front SST (Includes # 10, 12, 14)
20	02732.0000	-	1	Panel, Rear SST
	01315.0000	-	1	Screw, Truss Head #8-32 x .375"
21	38503.1000	-	1	Top Cover Assy. No Warmer SST (Includes # 10, 13)
	38504.1000	-	1	Top Cover Assy. No Warmer BLK (Includes # 10, 13)

* Indicates the part number listed is for reference only.

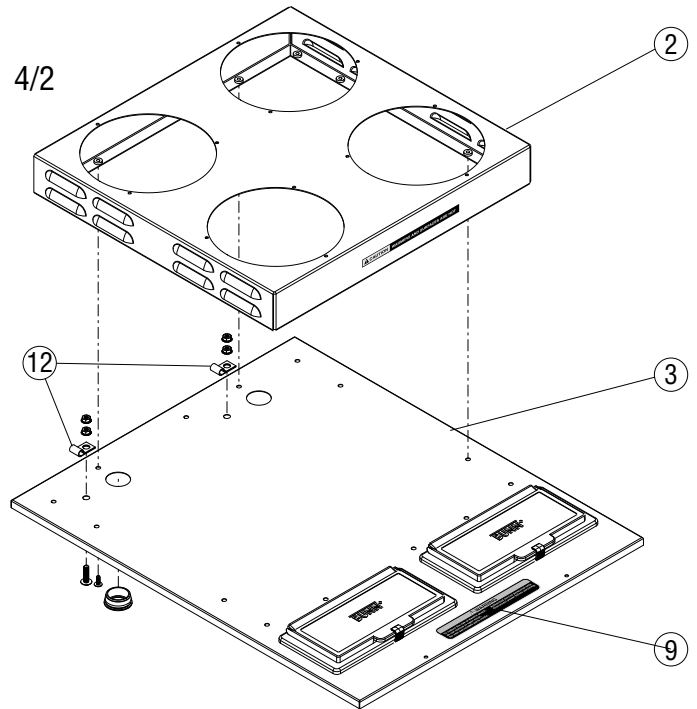
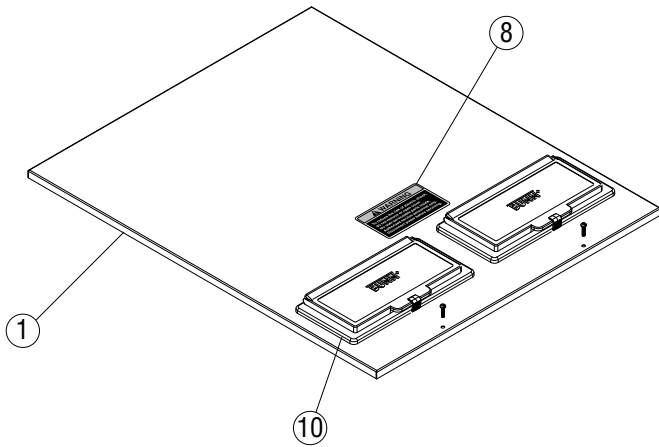


TOP COVER ASSEMBLIES-TWINS

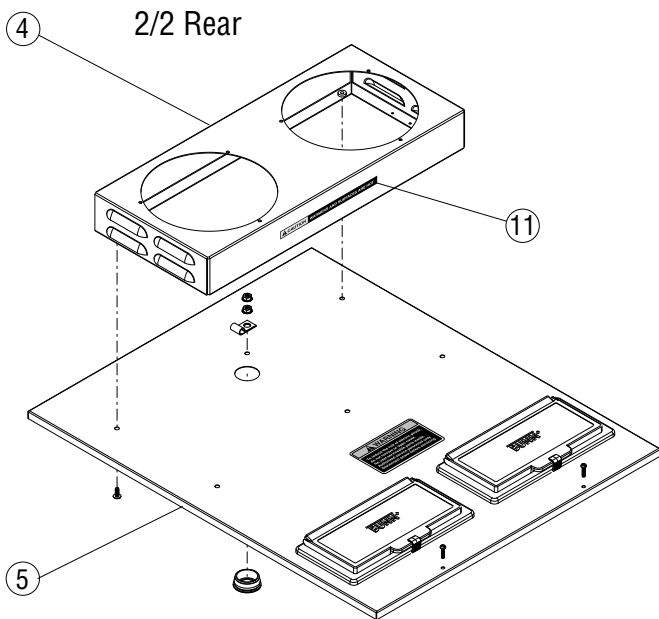
C/CT/CWTF
Series

All covers/housings include flip
lids &/or decals as required.

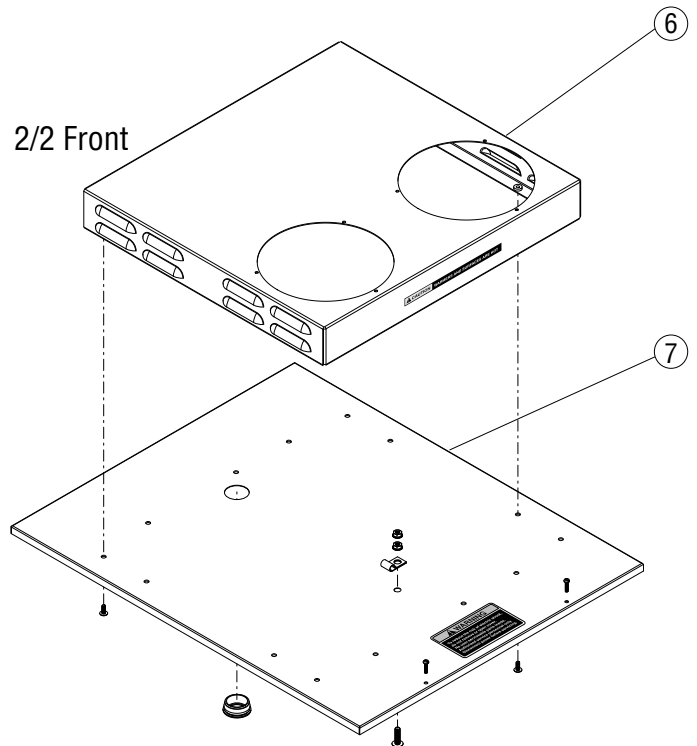
APS/TC & 0/6



2/2 Rear



2/2 Front



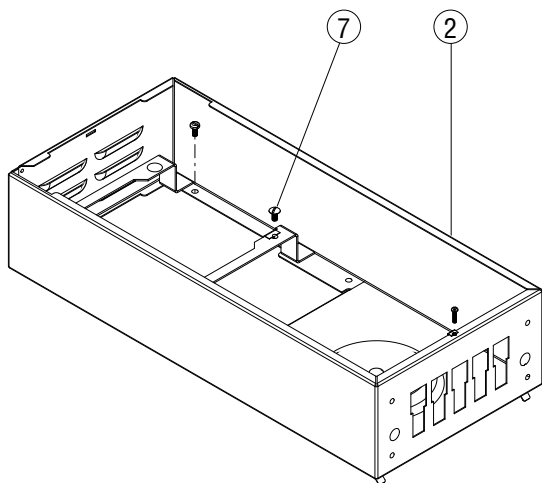
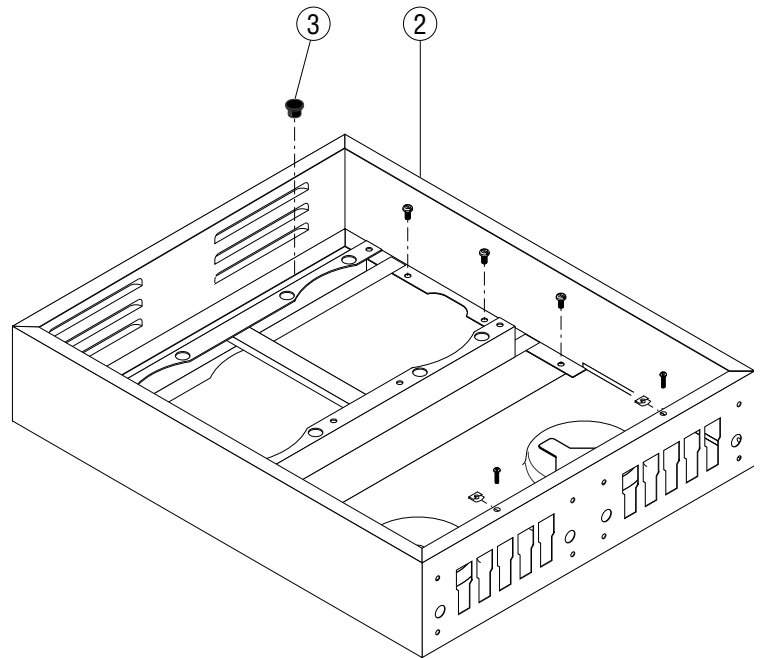
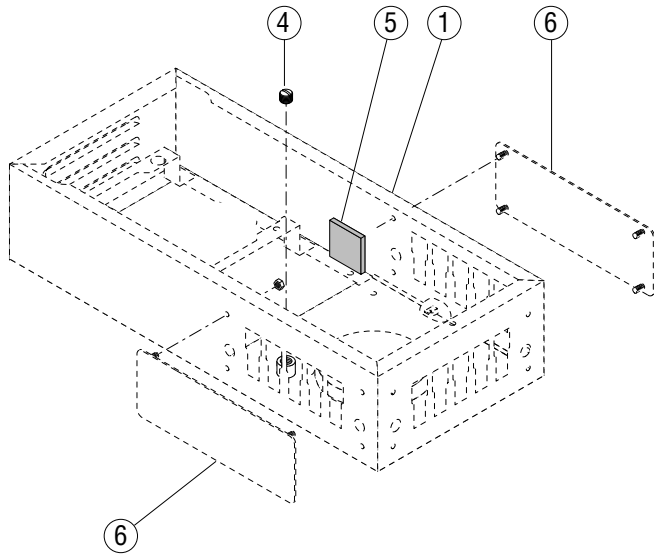
TOP COVER ASSEMBLIES-TWINS

ITEM	PART NO.	QTY. TWIN	QTY. SINGLE	DESCRIPTION
1	38707.1000	1	-	Cover Assembly SST No Warmers (Incl # 8, 10)
	38707.1003	1	-	Cover Assembly BLK No Warmers (Incl # 8, 10)
2	24254.0001	1	-	Housing Assembly, SST 4/2 (Incl # 11)
	01347.0000	10	-	Screw, Truss Head #6-32 x .375"
3	38707.1001	1	-	Cover Assembly SST 4/2 (Incl # 9, 10)
4	24254.0000	1	-	Housing Assembly, SST 2/2 Rear (Incl # 11)
	01347.0000	6	-	Screw, Truss Head #6-32 x .375"
5	38707.1002	1	-	Cover Assembly SST 2/2 Rear (Incl # 8, 10)
6	24254.0002	1	-	Housing Assembly, SST 2/2 Front (Incl # 11)
	01347.0000	10	-	Screw, Truss Head #6-32 x .375"
7	25864.0000	1	-	Cover Assembly SST 2/2 Front (Incl # 8)
8	37881.0000	1	1	Decal, No User Serviceable Parts
9	37881.0002	1	1	Decal, No User Serviceable Parts
10	38498.1000	2	1	Flip Lid Assembly w/Clip
11	12364.0000	1	-	Decal, Caution-Warmers Are Hot
12	41760.0000	2	1	Clip, Cable - SST
	01326.0007	2	1	Screw, TRH SLTD 10-32x.75LG
	00971.0000	4	2	Nut, Keps #10-32 Zinc Pl



HOOD ASSEMBLIES

C/CT/CWTF
Series



HOOD ASSEMBLIES

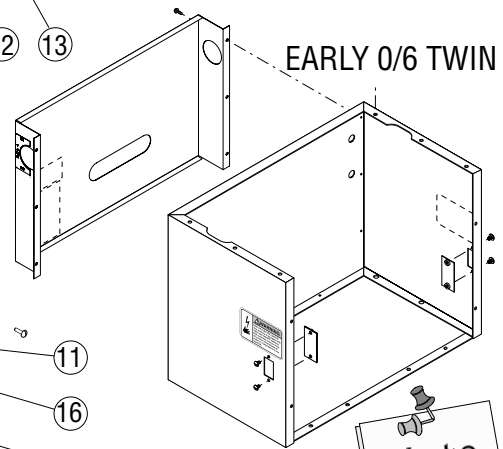
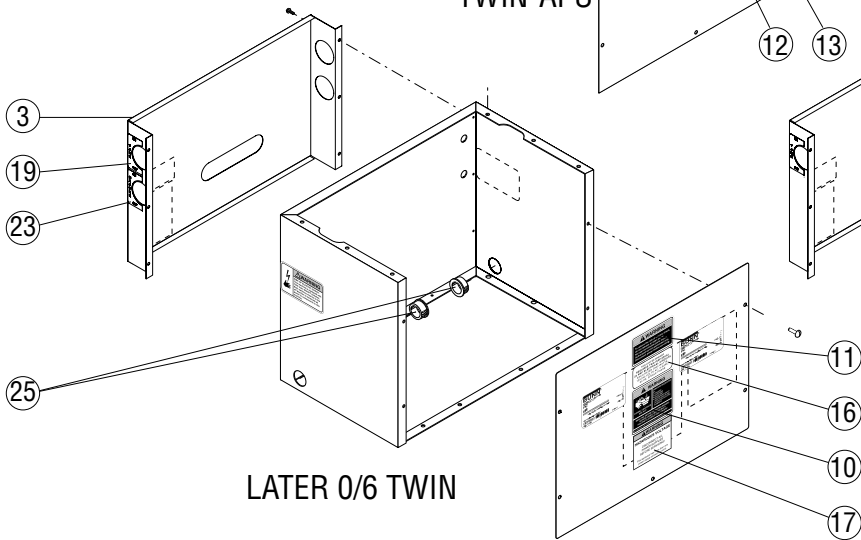
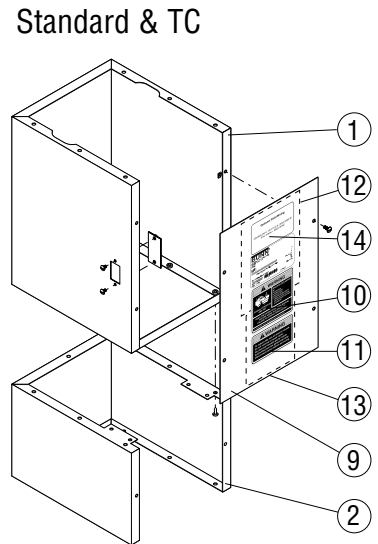
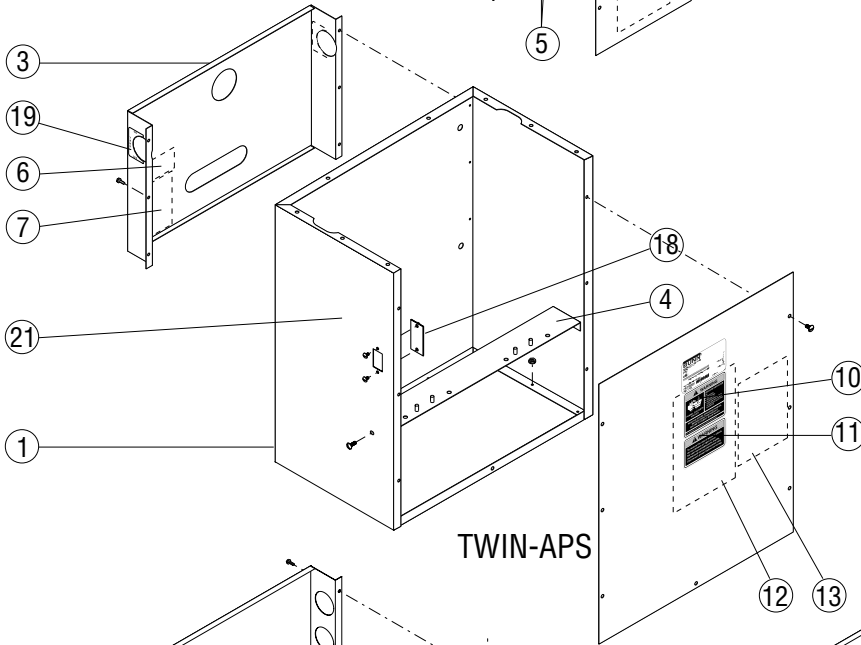
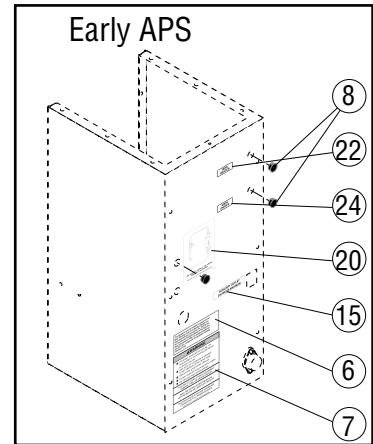
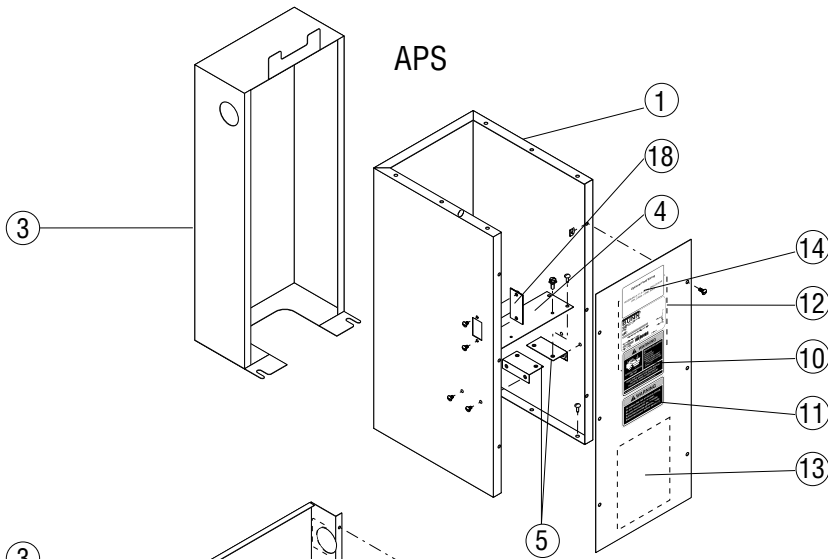
ITEM	PART NO.	QTY. TWIN	QTY. SINGLE	DESCRIPTION
1	13350.0008*	-	1	Housing, Hood SST (Early Style No Longer Available, Order # 2) Screw #8-32 x .375" (Hood to Trunk)
	02308.0000	-	6	
2	13350.0006	-	1	Housing, Hood SST (7.125" Narrow Funnel) CWTF, Single CW
	13350.0016	-	1	Housing, Hood BLK (7.125" Narrow Funnel)
	13350.0011	-	1	Housing, Hood SST (7.625" Wide Funnel)
	23232.0000 *	1	-	Housing, Hood SST (7.125" Narrow Funnel)
	23232.0002 *	1	-	Housing, Hood BLK (7.125" Narrow Funnel)
	23232.0004	1	-	Housing, Hood BLK (7.625" Wide Funnel)
	23232.0005	1	-	Housing, Hood SST (7.625" Wide Funnel)
	02308.0000	6	6	Screw #8-32 x .375" PNHD (Hood to Trunk)
	01303.0000	2	1	Screw #4-40 x .50" PNHD (Cover to Hood)
	00916.0000	2	1	Clip J-Type #4-40
3	00669.0003	1	-	Plug BLK Nylon .438" Dia. (Brewers w/o Faucet)
4	00462.0001	-	1	Plug, Slotted Head .125" NPT (Early Models w/Vent Tube)
5	03263.0002	-	1	Sponge Pad w/Adhesive (First Type w/Top Mount Thermostat)
6	12683.0000*	-	2	Cover, Blank (No Longer Available)
	12683.0002*	-	1	Cover, w/Faucet Hole (No Longer Available)
	02371.0000*	-	8	Nut, Thumb #6-32 (No Longer Available)
	00973.0000	-	8	Nut, Keps #6-32 (Later Models)
7	01315.0000	4	2	Screw #8-32 x .375" TRSHD (Tank Mount) Clip, J-Type #8-32
	00912.0000	4	2	

* Indicates the part number listed is for reference only.



TRUNKS

C/CT/CWTF
Series



Note

All models with receptacle and/or fuse (MV) are no longer available

TRUNKS

ITEM	PART NO.	QTY. TWIN	QTY. SINGLE	DESCRIPTION
1	34061.1006	-	1	Trunk, SST, 11.69" Standard
	34061.1000	-	1	Trunk, BLK, 11.69" Standard
	25352.0007	-	1	Trunk, SST, 12.39" TC
	34208.1002	-	1	Trunk, SST, 18.15" APS
	23320.1004	-	1	Trunk, BLK, 18.15" APS
	34061.0013	-	1	Trunk, BLK, 22.16" TS
	34061.1004	-	1	Trunk, SST, 22.16" TS
	26285.0000	1	-	Trunk, SST, TWIN APS
	26285.0001	1	-	Trunk, BLK, TWIN APS
	26285.0002	1	-	Trunk, SST, TWIN TC
	23294.0000	1	-	Trunk, SST, 0/6, 4/2, 2/2 TWINS w/1 Power Cord
	23294.0002	1	-	Trunk, BLK, 0/6, 4/2, 2/2 TWINS w/1 Power Cord
	23294.0001*	1	-	Trunk, SST, 0/6 TWINS (w/2 Power Cords Only) (DISCONTINUED)
	34061.1022	-	1	Trunk, SST, 11.69" Standard (Left Mounted Switch)
	34061.1035	-	1	Trunk, SST, 11.69" Standard (Right Mounted Switch)
	34061.1023	-	1	Trunk, BLK, 11.69" Standard
	34061.1025	-	1	Trunk, SST, 12.39" TC
34061.1003	-	1	Trunk, SST, 16.69" Single CW	
34208.1011	-	1	Trunk, SST, 18.15" APS	
23320.1012	-	1	Trunk, BLK, 18.15" APS	
34061.0026	-	1	Trunk, BLK, 22.16" TS	
26285.0006	1	-	Trunk, SST, TWIN APS	
26285.0008	1	-	Trunk, BLK, TWIN APS	
26285.0007	1	-	Trunk, SST, TWIN TC	
23294.0011	1	-	Trunk, SST, 0/6, 4/2, 2/2 TWINS w/1 Power Cord	
23294.0008	1	-	Trunk, SST, 0/6 TWINS (w/2 Power Cords) (2 Switches)	
23294.1015	1	-	Trunk, SST, 0/6 TWINS (w/1 Power Cord Only) (New Style w/Bushings)	
41402.1000	-	1	Trunk, SST, 11.69" Standard	
41402.1001	-	1	Trunk, BLK, 11.69" Standard	
41402.1003	-	1	Trunk, SST, 12.39" TC	
41402.1008	-	1	Trunk, SST, 16.69" Single CW	
41417.1000	-	1	Trunk, SST, 18.15" APS (120V)	
41417.1001	-	1	Trunk, SST, 18.15" APS (230V CE)	
41417.1002	-	1	Trunk, BLK, 18.15" APS (Domestic)	
23294.1010	1	-	Trunk, SST, 0/6 TWINS (Includes # 21) (w/2 Cords) (4 Switches)	
02308.0000	12	9	Screw, PNHD #8-32 x .375" (Trunk to Base)	
00970.0000	8	-	Nut, Keps #8-32 (Trunk to Base) (TWIN - APS Only)	
00988.0000	7	6	Fastener, (Tinnerman) "U" Type #6-32	
2	22748.0000	-	1	Extension, SST, 6.5"
	22748.0001	-	1	Extension, SST, 10.5"
	22748.0002	-	1	Extension, BLK, 10.5"
3	28233.0000	-	1	Optional Utility Cover (Fits 18.15" APS Trunks Only)
	23270.0000	1	-	Utility Cover w/Decals (All Short Twins) (Includes # 6,7,19)
	41426.1000	1	-	Utility Cover w/Decals (0/6 Twins w/ 2 cords) (Includes # 6,7,19, 23)
02332.0002	6	-	Screw, Hex-Crimptite #6 x .38"	
4	26287.0000	1	-	Bracket, Support (APS Only)
	22733.0000	-	1	Bracket, Support (APS Only)
	02308.0000	2	4	Screw #8-32 x .375"



All trunks include decals
 00656.0000 & 00831.0000
 except 0/6 w/ 2 cords.

No Master
ON/OFF
Switch

With Side Mounted Rocker
Type Master ON/OFF Switch

With Rear Mounted Master
ON/OFF Toggle Switch

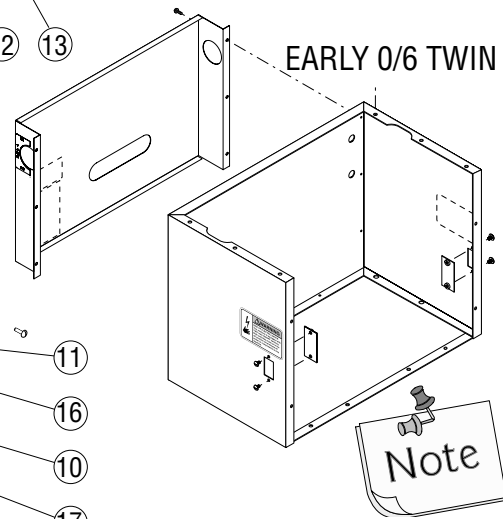
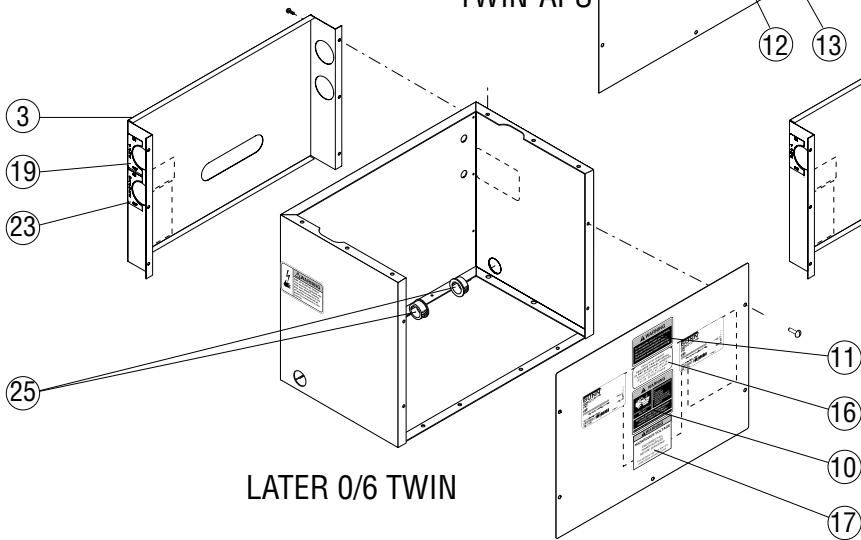
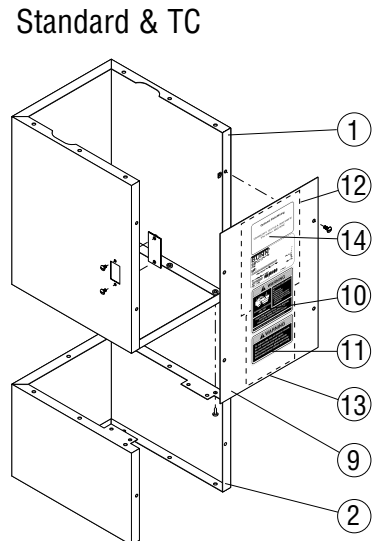
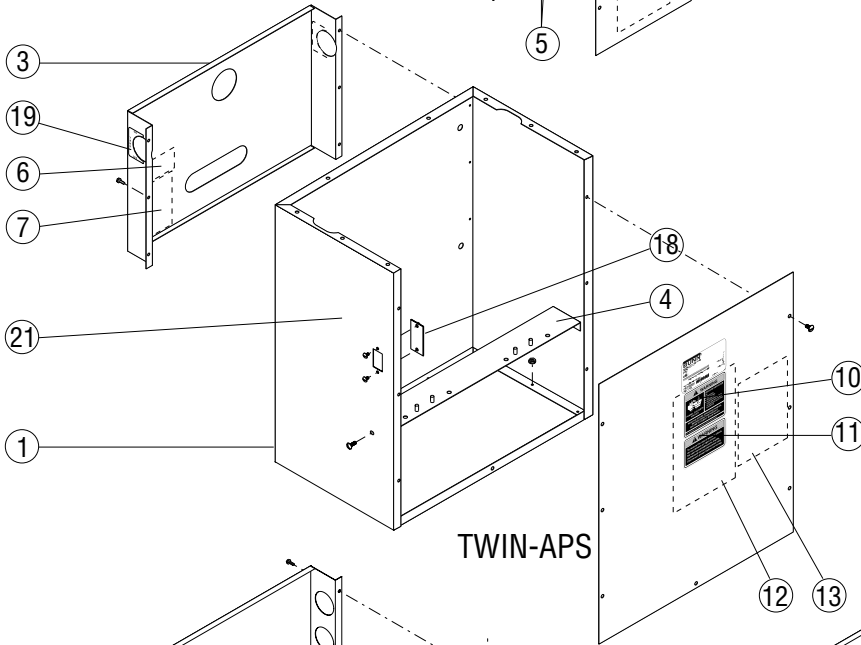
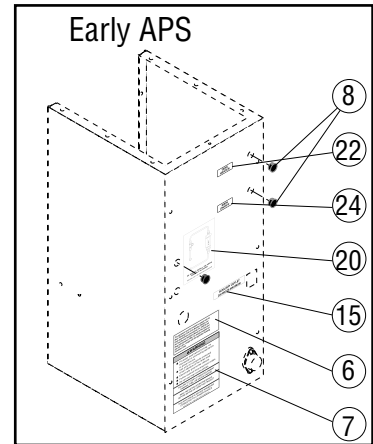
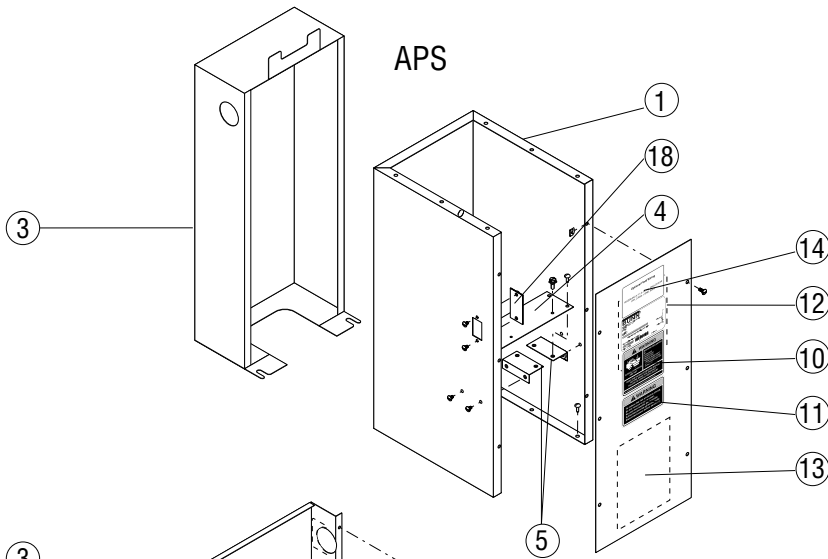
Continued on next page

* Indicates the part number listed is for reference only.



TRUNKS

C/CT/CWTF
Series



Note

All models with receptacle and/or fuse (MV) are no longer available

TRUNKS

ITEM	PART NO.	QTY. TWIN	QTY. SINGLE	DESCRIPTION
5	27929.0000	-	2	Bracket, (APS Only)
	02308.0000	-	4	Screw #8-32 x .375"
6	00656.0001	1	1	Decal, Compliance To Plumbing Code
7	00831.0000	1	1	Decal, Warning-Electrical
8	00669.0003	-	2	Plug
9	11408.1002	-	1	Panel, SST, 11.625" Standard (Includes # 10-11)
	11408.1005	-	1	Panel, BLK, 11.625" Standard (Includes # 10-11)
	11408.1006	-	1	Panel, SST, 12.375" TC (Includes # 10-11)
	22730.1007	-	1	Panel, SST, 15.63" Single CW (Includes # 10-11)
	22730.1002	-	1	Panel, SST, 18.125" APS (Includes # 10-11)
	22730.1005	-	1	Panel, BLK, 18.125" APS (Includes # 10-11)
	22730.1003	-	1	Panel, SST, 22.125" TS (Includes # 10-11)
	22730.1009	-	1	Panel, BLK, 22.125" TS (Includes # 10-11)
	01382.0000	-	4-6	Screw, SST #6-32 x .375"
	01382.0002	-	4-6	Screw, BLK #6-32 x .375"
	26283.1000	1	-	Panel, SST, TWIN APS (Includes # 10-11)
	26283.1001	1	-	Panel, BLK, TWIN APS (Includes # 10-11)
	23267.1000	1	-	Panel, SST, All Other TWINS w/One Power Cord (Includes # 10-11)
	24249.0003	1	-	Panel, SST, All 0/6 TWINS w/Two Power Cords (Includes # 10-12,16,17)
	23267.1001	1	-	Panel, BLK, All Other TWINS (Includes # 10-11)
	01315.0000	5-7	-	Screw, SST #8-32 x .375"
	01315.0005	5-7	-	Screw, BLK #8-32 x .375"
	10	00658.0000	1	1
11	37881.0000	1	1	Decal, No User Serviceable Parts
12	10836.0000	-	1	Schematic, C, CWT, CWTF-15, 20, 35, 120V, 120/208-240V
	10836.0005	-	1	Schematic, C, CWT, CWTF-MV
	10836.0009	-	1	Schematic, C, CWT, CWTF-DV
	10836.0010	-	1	Schematic, APS/TC/TS-DV
	10836.0011	-	1	Schematic, Single CW
	10693.0000	-	1	Schematic, APS/TC/TS-12, 20, 35 (Mechanical T'Stat)
	10693.0001	-	1	Schematic, APS/TC/TS-12, 20, 35 (Electronic T'Stat)
	10693.0002	-	1	Schematic, APS/TC/TS-MV
	10867.0000	1	-	Schematic, 2/2,4/2 Twins w/Optional Recovery Booster
	27693.0000	1	-	Schematic, 0/6 Twins (Mechanical T'Stat, Fresh Timer & Booster)
	10847.0000	1	-	Schematic, 0/6 Twins w/Two Power Cords
	10736.0000	1	-	Schematic, All Other Twins
	13	32540.0000	1	1
14	28181.0000	-	1	Decal, Optional Field Wiring (3 Warmer) (MV Only)
	28181.0001	-	1	Decal, Optional Field Wiring (1 Warmer) (MV Only)
	28181.0002	-	1	Decal, Optional Field Wiring (APS-MV Only)
	34955.0000	-	1	Decal, Optional Field Wiring (TC/APS-DV Only)
	34955.0001	-	1	Decal, Optional Field Wiring (1 Warmer) (DV Only)
	34955.0002	-	1	Decal, Optional Field Wiring (2 Warmer) (DV Only)
	34955.0003	-	1	Decal, Optional Field Wiring (3 Warmer) (DV Only)
15	02822.0000	-	1	Decal, 200 Watts Maximum
16	12183.0002	1	-	Decal, 20 amp Electrical Circuit (Brewers with two Power Cords Only)



All front panels include decals
00658.0000 & 37881.0000

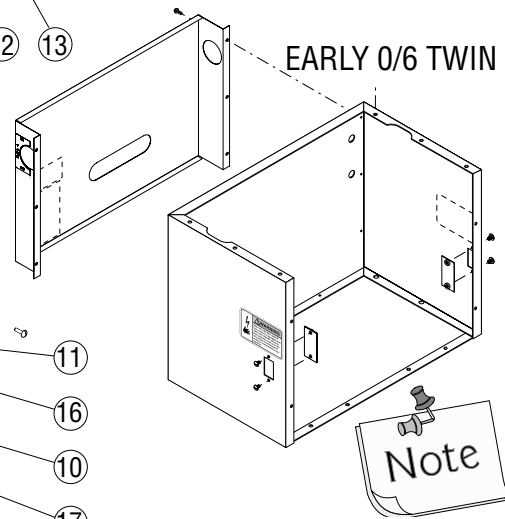
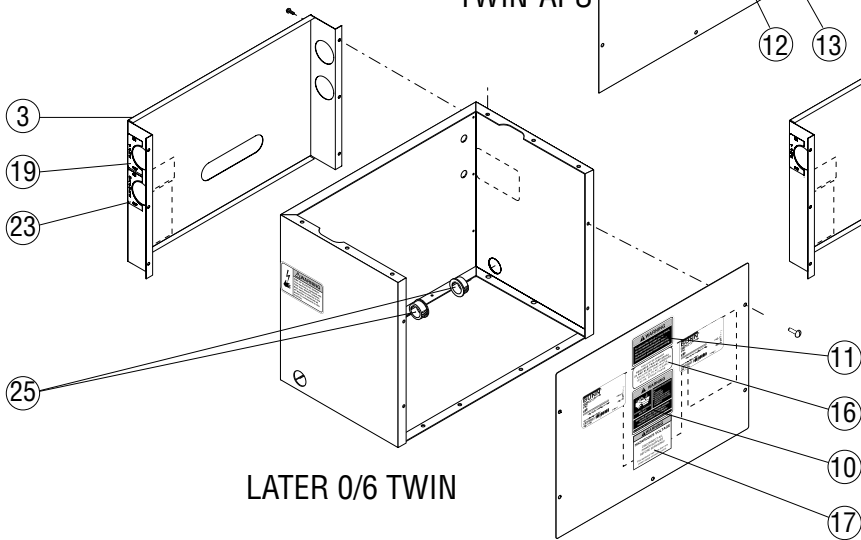
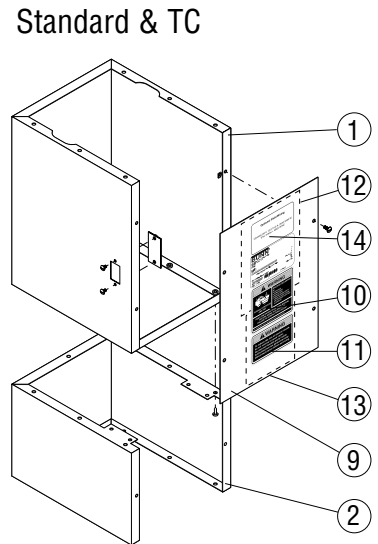
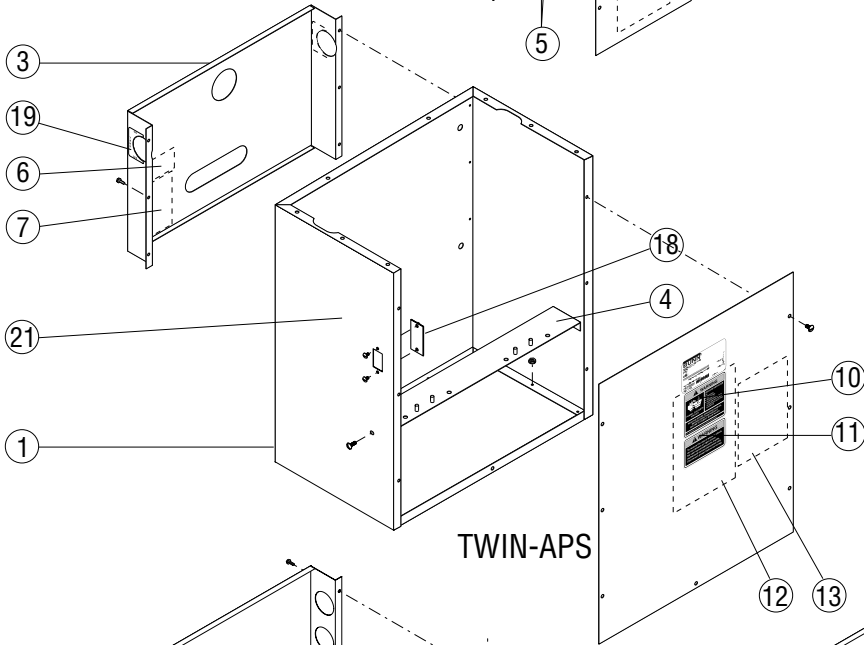
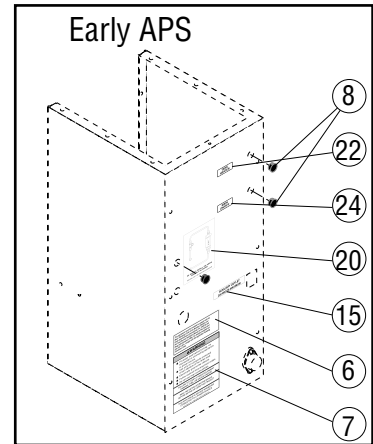
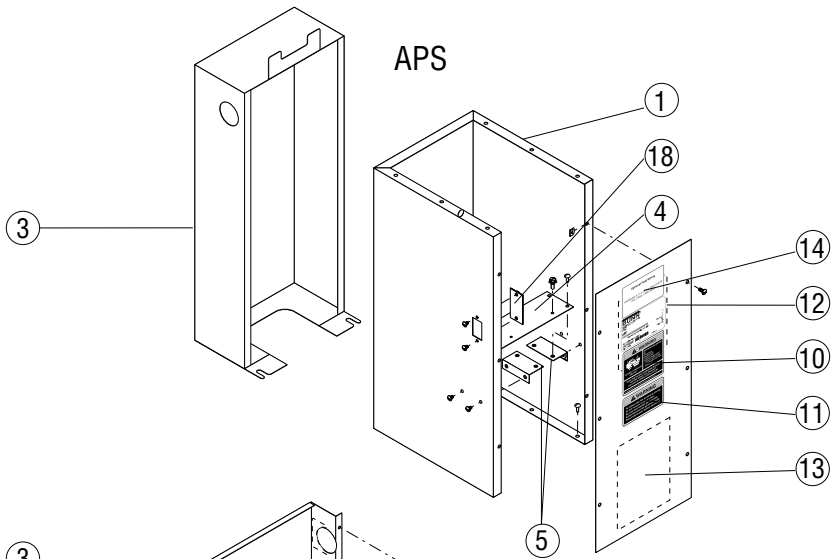
Continued on next page

* Indicates the part number listed is for reference only.



TRUNKS

C/CT/CWTF
Series



All models with receptacle and/or fuse (MV) are no longer available

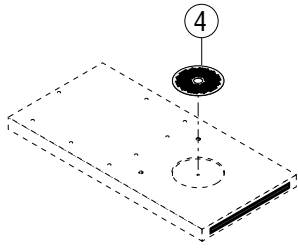
TRUNKS

ITEM	PART NO.	QTY. TWIN	QTY. SINGLE	DESCRIPTION
17	12104.0000	1	-	Decal, Warning-Power Supply (Brewers with two Power Cords Only)
18	38820.0000	1	1	Plate, Switch Cover (Models w/out Power Switch)
	01308.0002	2	2	Screw SST #6-32 x .25"
	01308.0003	2	2	Screw BLK #6-32 x .25"
19	24213.0000	1	-	Decal, Tank Heater (Includes Left & Right Decals)
20	10165.0000	-	1	Decal, Strainer/Flow Control (w/o Needle Valve)
	10447.0000	-	1	Decal, Strainer/Flow Control (w/Needle Valve)
	24540.0000	-	1	Decal, Strainer/Flow Control 2nd Type (Center Tap & Needle Valve)
	26225.0000	-	1	Decal, Strainer/Flow Control 3rd type (One Piece Strainer/Flow Control)
21	40124.0000	(2)	-	Decal, Warning-ON/OFF Switch x 2 (0/6 Twins with two Power Cords Only)
22	39806.0000	-	1	Decal, Tank Heater
23	41427.0000	2	-	Decal, Master ON/OFF (Includes Left & Right Decals)
24	41405.0000	-	1	Decal, Master ON/OFF
25	01592.0000	2	-	Bushing

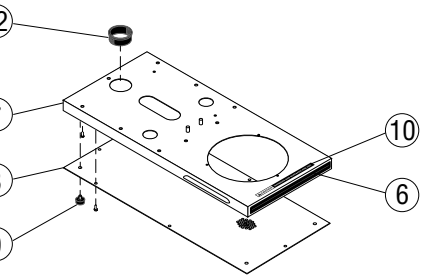
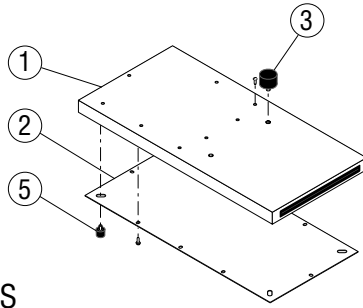


BASES

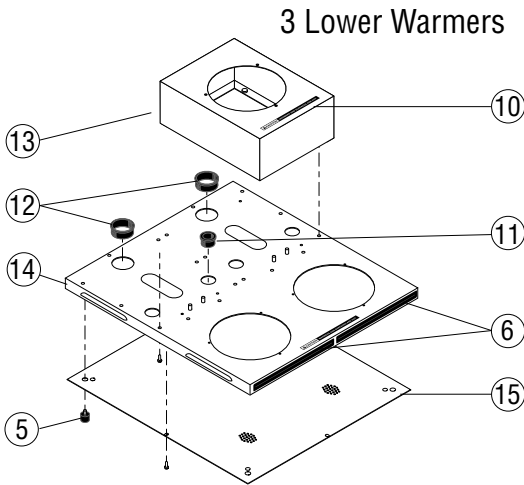
C/CT/CWTF
Series



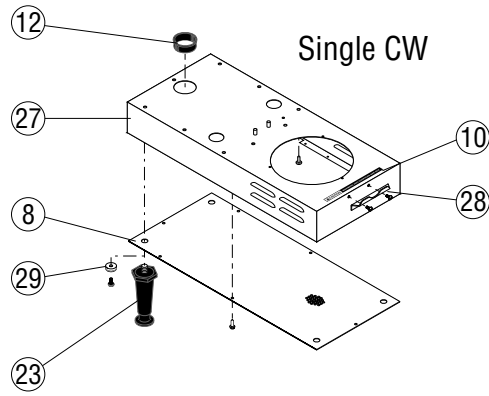
APS/TC/TS



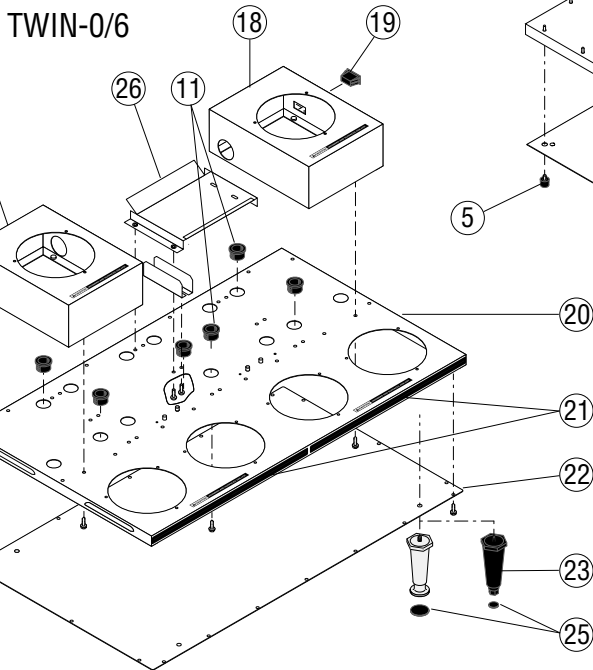
1 Lower Warmer



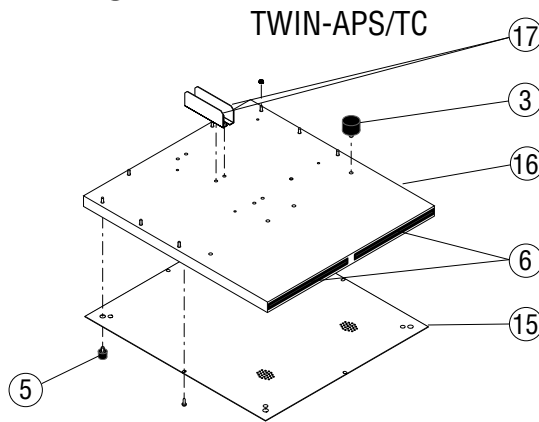
3 Lower Warmers



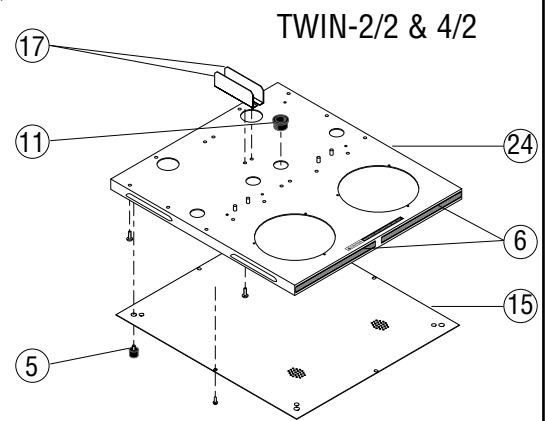
Single CW



TWIN-0/6



TWIN-APS/TC



TWIN-2/2 & 4/2

BASES

ITEM	PART NO.	QTY. TWIN	QTY. SINGLE	DESCRIPTION
1	23321.0000	-	1	Base W/decals, Sst (Includes Item 6) Aps
	23321.0001	-	1	Base W/decals, Sst (Includes Item 6) Ts
	23321.0002	-	1	Base W/decals, Sst (Includes Item 6) Aps (Ce)
	23321.0003	-	1	Base W/decals, Sst (Includes Item 6) Ts (Ce)
	23321.0004	-	1	Base W/decals, Blk (Includes Item 6) Aps
2	22999.0000	-	1	Plate, Base APS/TC/TS
	02332.0002	-	8	Screw, Hex-crimptite #6-32 X .375"
3	00754.0001	4	2	Locator
4	22740.0000	-	1	Drip Shield, (Early Models Only)
5	25137.0001	-	4	Foot .75od X .48ht X .25thd
	24600.0000	-	-	Set Of 4 Feet
6	22306.0000	2	1	Decal, Red Decorative Stripe
7	25351.0000	-	1	Base, 1 Warmer W/decals, Sst (Includes Items 6 & 10)
	25351.0001	-	1	Base, 1 Warmer W/decals, Sst (Includes Items 6 & 10) (Ce)
	25351.0002*	-	1	Base, 1 Warmer W/decals, Blk (Includes Items 6 & 10)
8	24805.0000	-	1	Plate, Base 1 Warmer
	24805.0002	-	1	Plate, Base 1 Warmer (Single CW)
	02332.0002	-	6	Screw, Hex-crimptite #6-32 X .375"
9	25137.0000	-	4	Foot .75od X .25ht X .25thd
	35712.0000	-	-	Set Of 4 Feet
10	12364.0000	#	#	Decal, Caution-warmers/surfaces Are Hot (Refer To Illustration For Qty.)
11	01592.0000	#	#	Bushing, Snap 1" (Refer To Illustration For Qty.)
12	01593.0000	#	#	Bushing, Snap 1.5" (Refer To Illustration For Qty.)
13	25658.0000	-	1	Housing, Side Warmer Sst (Includes Item 10)
	25658.0002	-	1	Housing, Side Warmer Blk (Includes Item 10)
	02308.0000	-	7	Screw, #8-32 X .375"
14	25657.0000	-	1	Base, 3 Warmers W/decals, Sst (Includes Items 6 & 10)
	25657.0001	-	1	Base, 3 Warmers W/decals, Sst (Includes Items 6 & 10) Ce
	25657.0002	-	1	Base, 3 Warmers W/decals, Blk (Includes Items 6 & 10)
15	12667.0001	-	1	Plate, Base 3 Warmers
16	26413.0000	1	-	Base W/decals, Sst (Includes Item 6) Twin-aps
	26413.0001	1	-	Base W/decals, Blk (Includes Item 6) Twin-aps
17	26953.0000	2	-	Guard, Wiring
	02308.0000	4	-	Screw, #8-32 X .375"
18	23698.1002	1	-	Housing, Side Warmer Sst Left (Includes Item 10) w/o Switch Cut Out
	23698.1003	1	-	Housing, Side Warmer Sst Right (Includes Item 10) w/o Switch Cut Out
	23698.1004	1	-	Housing, Side Warmer Sst Right (Includes Item 10) w/Switch Cut Out
	23698.1005	1	-	Housing, Side Warmer Sst Left (Includes Item 10) w/Switch Cut Out
	02308.0000	14	-	Screw, #8-32 X .375"
19	12921.0000	2	-	Switch Blank

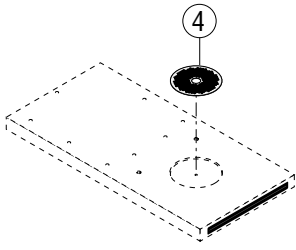
Continued on next page

* Indicates the part number listed is for reference only.

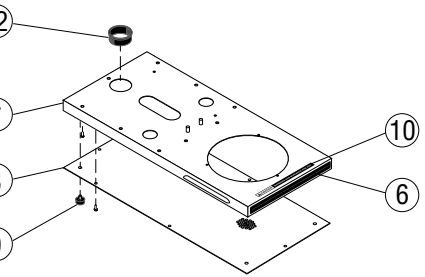
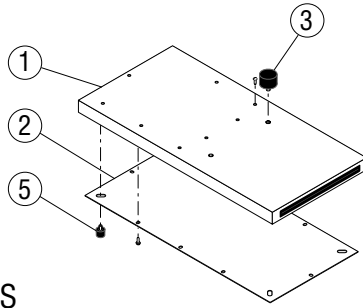


BASES

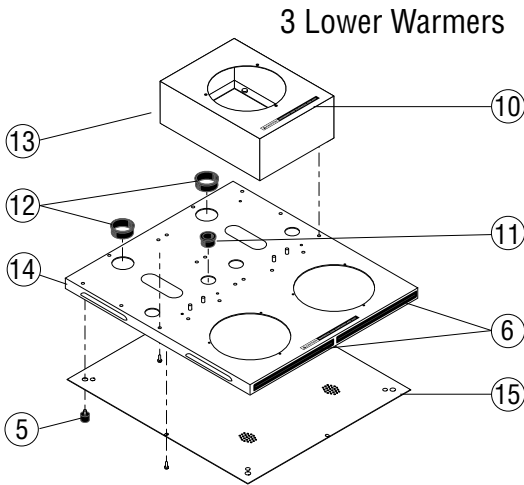
C/CT/CWTF
Series



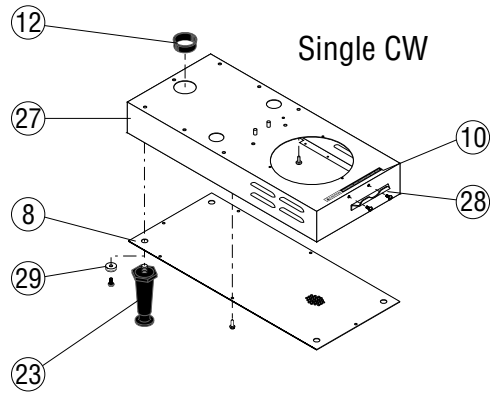
APS/TC/TS



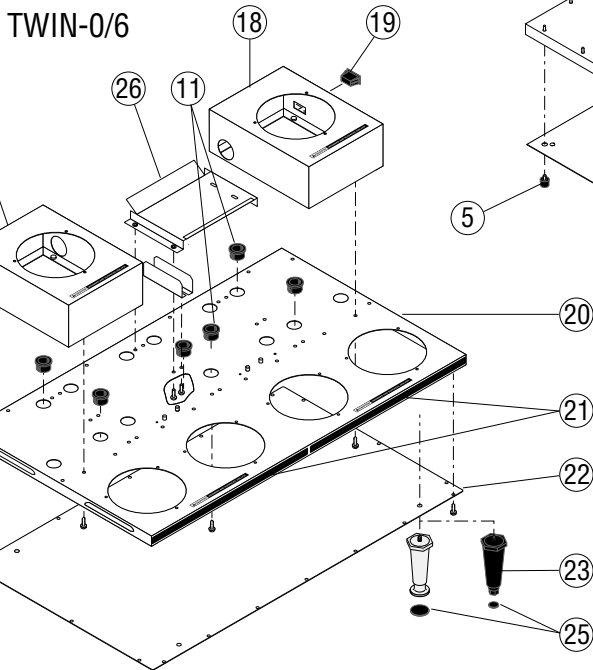
1 Lower Warmer



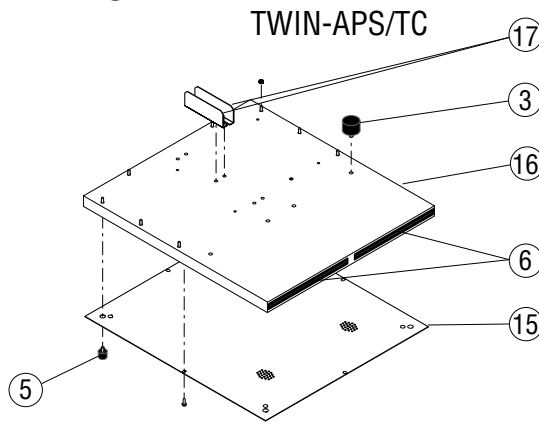
3 Lower Warmers



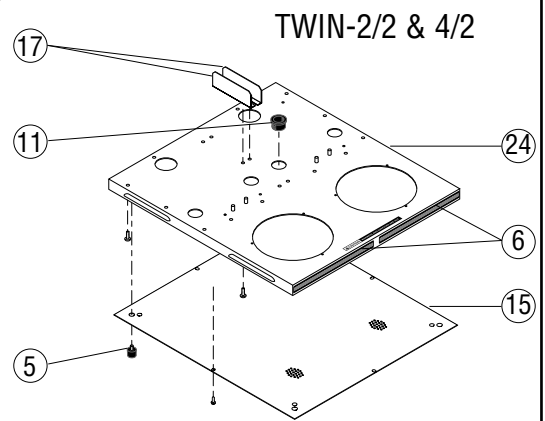
Single CW



TWIN-0/6



TWIN-APS/TC



TWIN-2/2 & 4/2

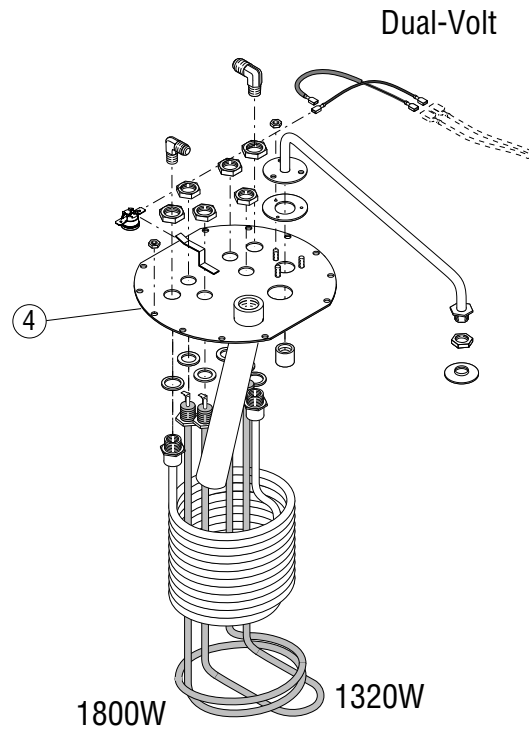
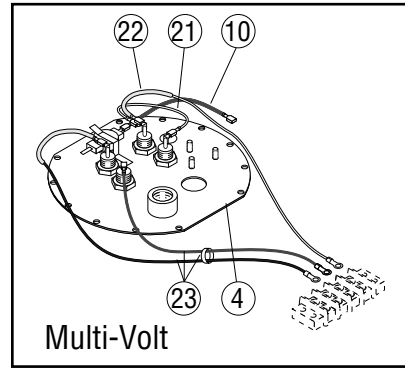
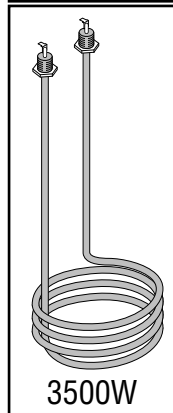
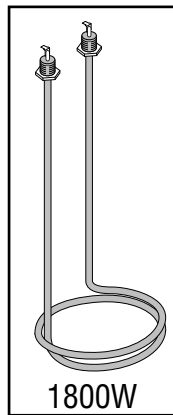
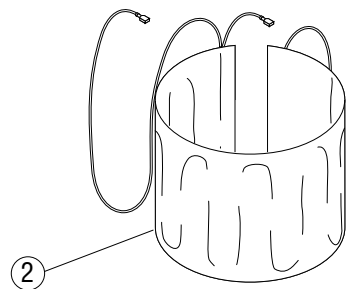
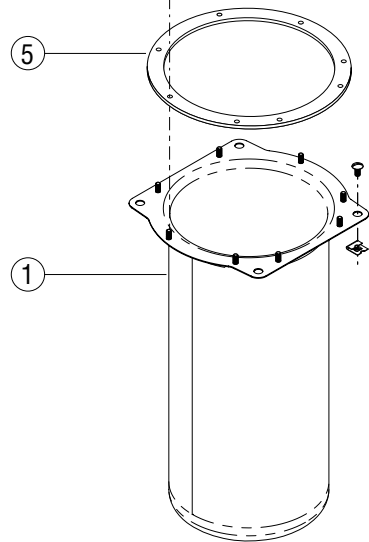
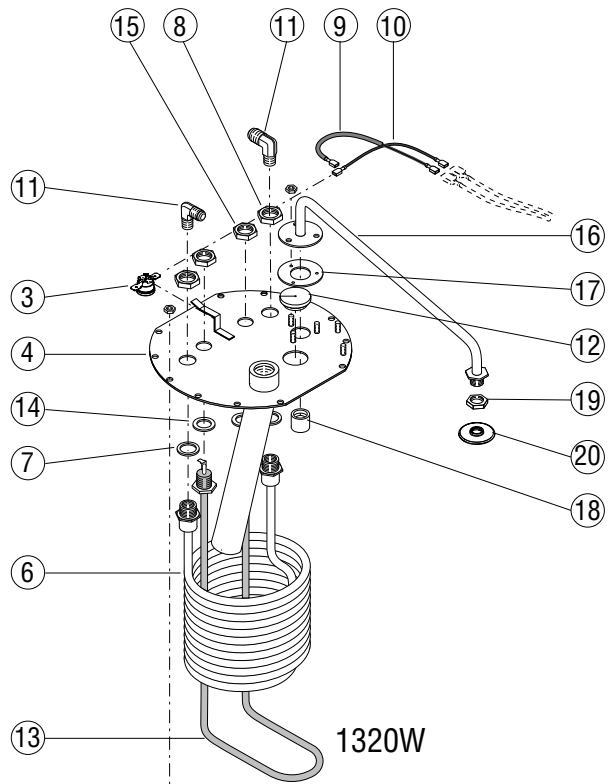
BASES

ITEM	PART NO.	QTY. TWIN	QTY. SINGLE	DESCRIPTION
20	24253.0001	1	-	Base W/decals, Sst (Includes # 10 & 21) Twin 0/6
	24253.0002	1	-	Base W/decals, Blk (Includes # 10 & 21) Twin 0/6
	02308.0000	12	-	Screw, #8-32 X .375"
21	24230.0000	2	-	Decal, Red Decorative Stripe (Twins Only)
22	23329.0000	1	-	Plate, Base, Twin 0/6
	02332.0002	18	-	Screw, Hex-crimptite #6-32 X .375"
23	00511.1000	1 Set	-	Legs, 4" Adjustable, Satin Nickel, .25"-20 (Includes # 25)
	13255.0005	1 Set	-	Legs, 4" Adjustable, Black Plastic, .25"-20 (Includes # 25)
	26528.0001	-	4	Legs, 4" Adjustable, Black Plastic, .25"-20 (Single CW)
24	24253.0000	1	-	Base W/decals, Sst (Includes Items 6 & 10) Twin 2/2 & 4/2
	24253.0003	1	-	Base W/decals, Blk (Includes Items 6 & 10) Twin 2/2 & 4/2
	02308.0000	12	-	Screw, #8-32 X .375"
25	03996.0000	4	-	Pad, 1.25"
	03993.0000	4	-	Pad, .70"
26	27623.0000	1	-	Guard, Wiring - Right (Brewers with two Power Cords Only)
	02308.0000	2	-	Screw, #8-32 X .375"
27	34065.1001	-	1	Base W/decals, Sst (Includes # 10 & 28) Single CW
28	21104.0003	-	1	Server Stop (Single CW Only)
	01347.0000	-	2	Screw, Truss Head #6-32 x .375"
29	11435.0000	-	4	Foot
	02308.0000	-	4	Screw, #8-32 X .375"
	22568.0000	-	-	Kit, Foot (Set of 4 with screws) For early singles only.



TANK AND COMPONENTS

C/CT/CWTF
Series



TANK AND COMPONENTS

ITEM	PART NO.	QTY. TWIN	QTY. SINGLE	DESCRIPTION
1	04118.0000	2	1	Tank
	20201.3000	-	1	Tank (Single CW)
	01315.0000	4	2	Screw #8-32 x .375" TRSHD
	00912.0000	4	2	Clip, J-Type #8-32
2	04260.0000	2	1	Blanket Warmer 50W, 120V
	01927.0000	2	1	Blanket Warmer 50W, 220V
3	29329.1000	2	1	Thermostat, Limit
4	25158.0000	1	1	Tank Lid (1 HTR, No Faucet) (Twin Right)
	25158.0001	1	1	Tank Lid (1 HTR, w/Faucet) (Twin Left) (Single CW)
	25158.0002	-	1	Tank Lid (1 HTR, No Faucet) (Single CW)
	25158.0004	-	1	Tank Lid (DV/MV, w/Faucet)
	00908.0000	16	8	Nut, Hex #8-32
5	04221.0000	2	1	Gasket, Tank Lid
6	12689.1000	1	1	Coil Assy, Faucet (Includes # 7)
7	12688.0000	2	2	Gasket, Water Coil
8	12687.0000	2	2	Nut, Hex Brass .562"-24 (Water Coil)
9	20211.0100	1	1	Thermal Cut Off (TCO) (Thermostat to Heater) w/Faucet
	23769.0000	1	1	Lead, Electrical BLK (Thermostat to Heater) w/o Faucet
10	23768.0000	2	1	Lead, Electrical BLU (Thermostat to Limit)
11	00400.0001	4	2	Elbow, Male .250" Flare x .125" MPT
12	-----	-	-	(See Electrical Section)
13	03070.1001	-	1	Tank Heater, 1500W 120V (Single CW-15)
	04236.1000	-	1	Tank Heater, 1320W 120V (CWTF-15)
	04636.1000	-	1	Tank Heater, 1800W 120V (CWTF-20 & MV/DV)
	01925.1000	-	1	Tank Heater, 1850W 220V (CWTF-20)
	04637.1000	2	1	Tank Heater, 3500W 240V (CWTF-35 & Twins)
	20201.0750	-	1	Tank Heater, 3500W 240V (Single CW-35)
	20941.1000	-	1	Tank Heater, 3500W 200V (CWTFB-35)
	23929.1000	2	-	Tank Heater, 1600W 200V (CWTFB-2/2 Twin)
	24217.1000	2	-	Tank Heater, 1800W 230V (CWTF-2/2 Twin)
23930.1000	2	-	Tank Heater, 3000W 240V (Twins-CE)	
14	00943.0000	4	2	Gasket, Tank Heater
15	00942.0000	4	2	Nut, Brass .5"-20 (Tank Heater)
16	11431.0002	2	1	Sprayhead Tube Kit (Includes 3 mounting nuts below & # 17 & 18)
	00908.0000	6	3	Nut, Hex #8-32
17	05515.0000	2	1	Gasket, Sprayhead tube
18	05518.0000	2	1	Hub, Syphon
19	01075.0000	2	1	Nut, Hex .438"-20, Sprayhead tube

Includes # 14

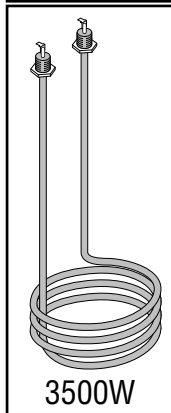
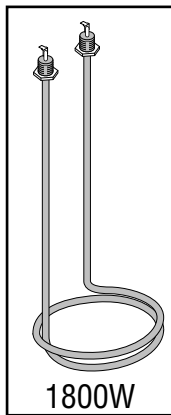
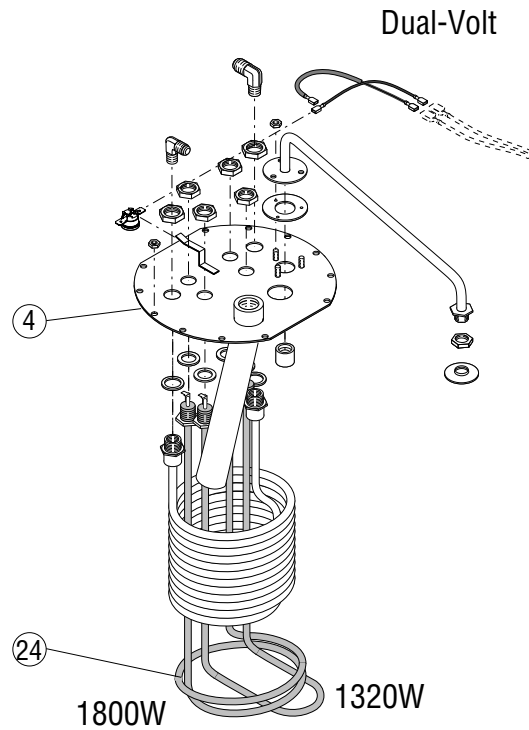
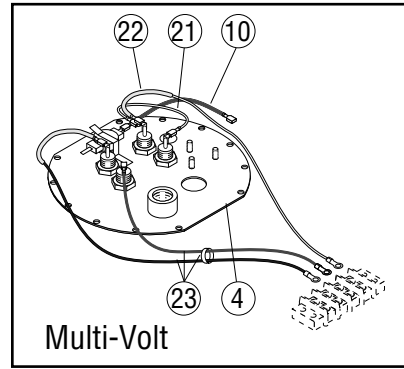
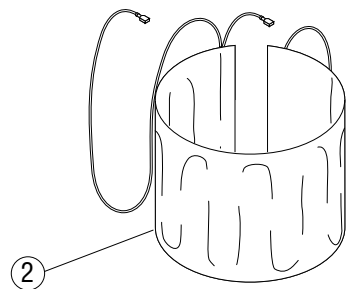
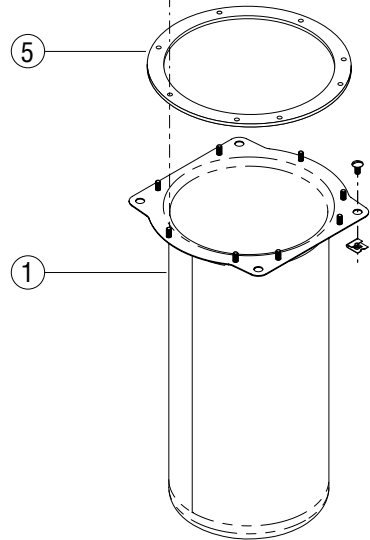
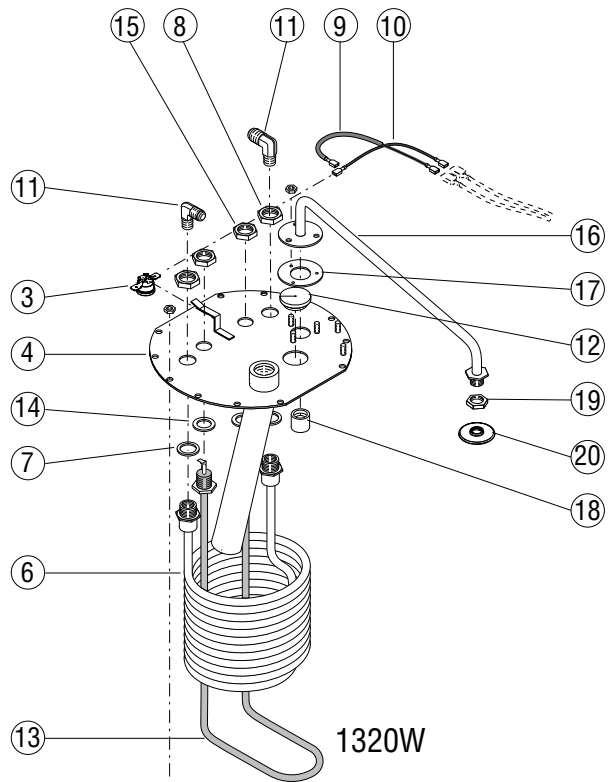
Continued on next page

* Indicates the part number listed is for reference only.



TANK AND COMPONENTS

C/CT/CWTF
Series



TANK AND COMPONENTS

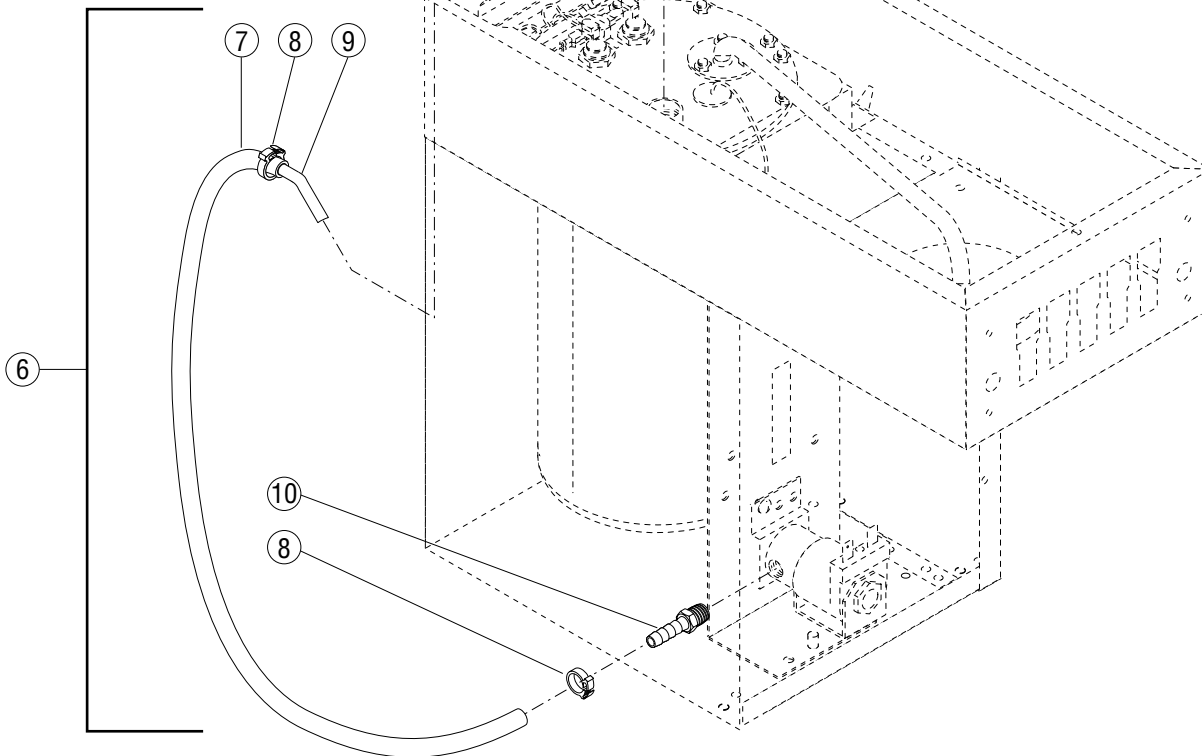
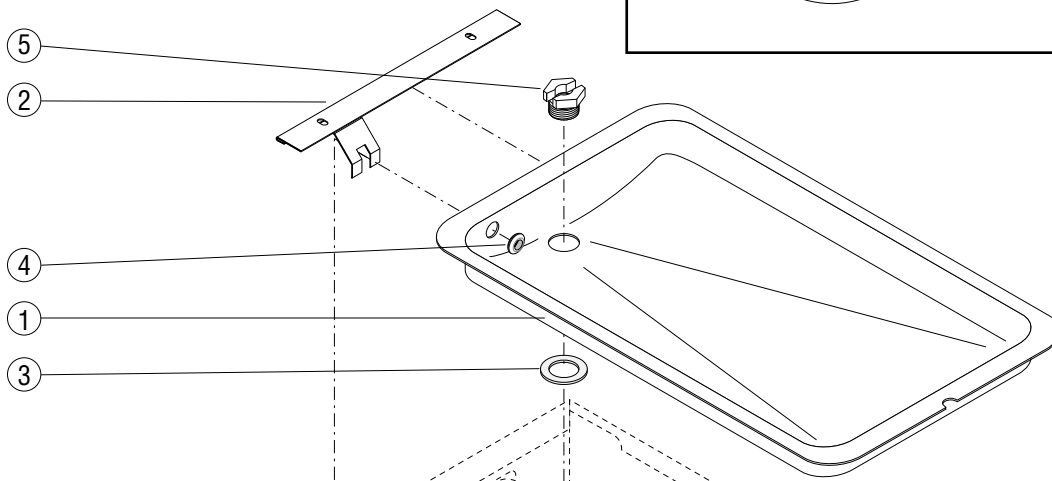
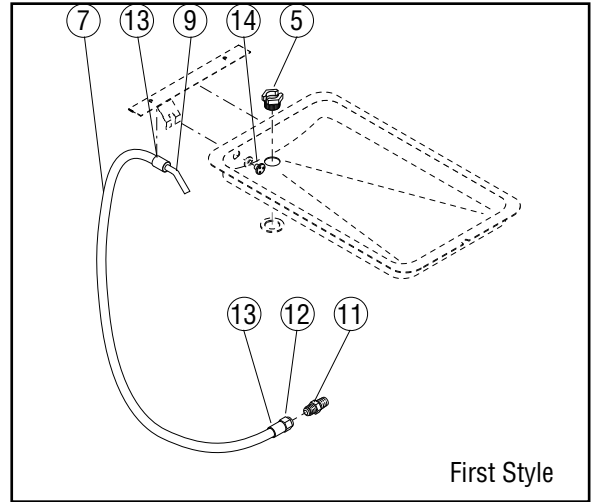
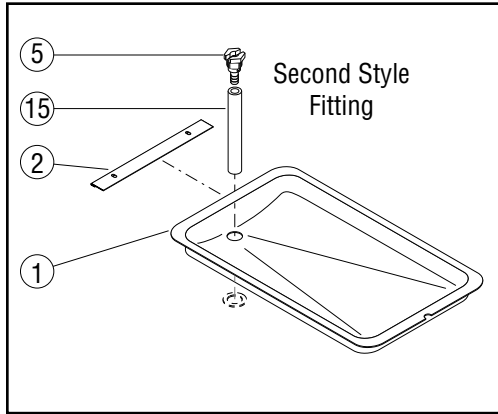
ITEM	PART NO.	QTY. TWIN	QTY. SINGLE	DESCRIPTION
20	01082.0000	2	1	Sprayhead, 6-Hole (6-.078 Standard)
	01082.1000	#	#	3 Pack, 6-Hole (6-.078 Standard)
	01082.0004	2	1	Sprayhead, 5-Hole (5-.070 Optional)
	01082.0005	2	1	Sprayhead, 5-Hole (5-.057 Optional)
	01082.0007	2	1	Sprayhead, 1-Hole (1-.182 Pouch-Pack Funnel)
21	28242.0000	-	1	Lead, Electrical WHI (Tank Heater Jumper)
22	28173.0000	-	1	Thermal Cut Off (Tank Heater to Upper Terminal Block)
23	28174.0000	-	1	Thermal Cut Off Harness (Tank Heater to Upper Terminal Block)
24	28226.1000	-	1	Tank Heater, 1320W 120V (MV/DV Only)
The Following Items Are Not Illustrated				
25	22918.0000	-	1	TCO 128°C Male - Female (CE)
	22918.0001	-	1	TCO 291°C Male - Female (CE)
				} Includes # 1 & 2
26	04776.0000	-	1	TCO 128°C Male - Female (CE)
	20211.0100	-	1	TCO 167°C Female - Female BLK (CE)
27	04119.0000	1	1	Tank W/Blanket Warmer, 120V
	04133.0000	1	1	Tank W/Blanket Warmer, 220V
28	25319.1000	-	1	Tank Assy, 1320W 120V (Includes # 1-5,9,10,13-18) w/o Faucet
	25319.1001	-	1	Tank Assy, 1800W 120V (Includes # 1-5,9,10,13-18) w/o Faucet
	25319.1002	1	1	Tank Assy, 3500W 120/240V (Includes # 1-5,9,10,13-18) w/o Faucet
	25319.1010	1	-	Tank Assy, 3000W 120/240V (Includes # 1-5,9,10,13-18) w/o Faucet
	-----*	-	1	Tank Assy, 1850W 220V (Includes # 1-5,9,10,13-18) w/o Faucet
	-----*	1	1	Tank Assy, 3500W 240V (Includes # 1-5,9,13-18) w/o Faucet
	25320.1000	-	1	Tank Assy, 1320W 120V (Includes # 1-11,13-18) w/Faucet
	25320.1001	-	1	Tank Assy, 1800W 120V (Includes # 1-11,13-18) w/Faucet
	25320.1002	1	1	Tank Assy, 3500W 240V (Includes # 1-11,13-18) w/Faucet
	25320.1007	1	1	Tank Assy, 3000W 120/240V (Includes # 1-11,13-18) w/Faucet
	25320.1012	-	1	Tank Assy, 3500W 240V (Includes # 1-11,13-18) w/Faucet
	25320.1017	-	1	Tank Assy, 1320/1800W DV (Includes # 1-11,13-18, 24-25) w/Faucet

* Indicates the part number listed is for reference only.



FILL BASIN AND LINES

C/CT/CWTF
Series



P3914

FILL BASIN AND LINES

ITEM	PART NO.	QTY. TWIN	QTY. SINGLE	DESCRIPTION
1	04270.0002	2	1	Fill Basin (Automatics)
	04270.0000	-	1	Fill Basin (Pour Overs)
2	27514.0000	2	1	Plate, Splash Guard (Automatics and Early Model Pour Overs)
	11424.0000	-	1	Plate, Splash Guard (Late Model Pour Overs)
3	01201.0000	2	1	Gasket, Tank Inlet
4	12928.0000	2	1	Grommet, Pour-In Basin (Automatics and Early Model Pour Overs)
5	01200.0000	2	1	Fitting, Tank Inlet .562" Opening (First Style)
	32063.0000*	2	1	Fitting, Tank Inlet .312" Opening (Second Style) (Obsolete)
	01212.0000	2	1	Fitting, Tank Inlet .382" Opening (Third Style)
	01212.0001*	2	1	Fitting, Tank Inlet Tapered Opening (Obsolete)
6	12914.0002	2	1	Tube Assy. Fill 21.5" Second Style (Includes # 4, 7-10)
7	11707.0003*	2	1	Tube, .25" Dia. x 21.5" (Order # 16)
8	12422.0000	4	2	Clamp, SNP - 6
9	12913.0000	2	1	Tube
10	22397.0001	2	1	Fitting, .25" Barb x .125" MPT (Late Models)
11	00402.0001	2	1	Fitting, .25" Flare x .125" MPT (Early Models)
12	00425.1000	2	1	Fitting, Swivel Nut
13	00419.0000	4	2	Ferrule, Crimp Type .25"
14	01426.0000*	-	1	Weld Pin, .25" Dia. (Early Model Pour Overs Only)
15	28526.0021*	2	1	Tube, .313" Dia. x 4.0" (Order 17)

The Following Items Are Not Illustrated

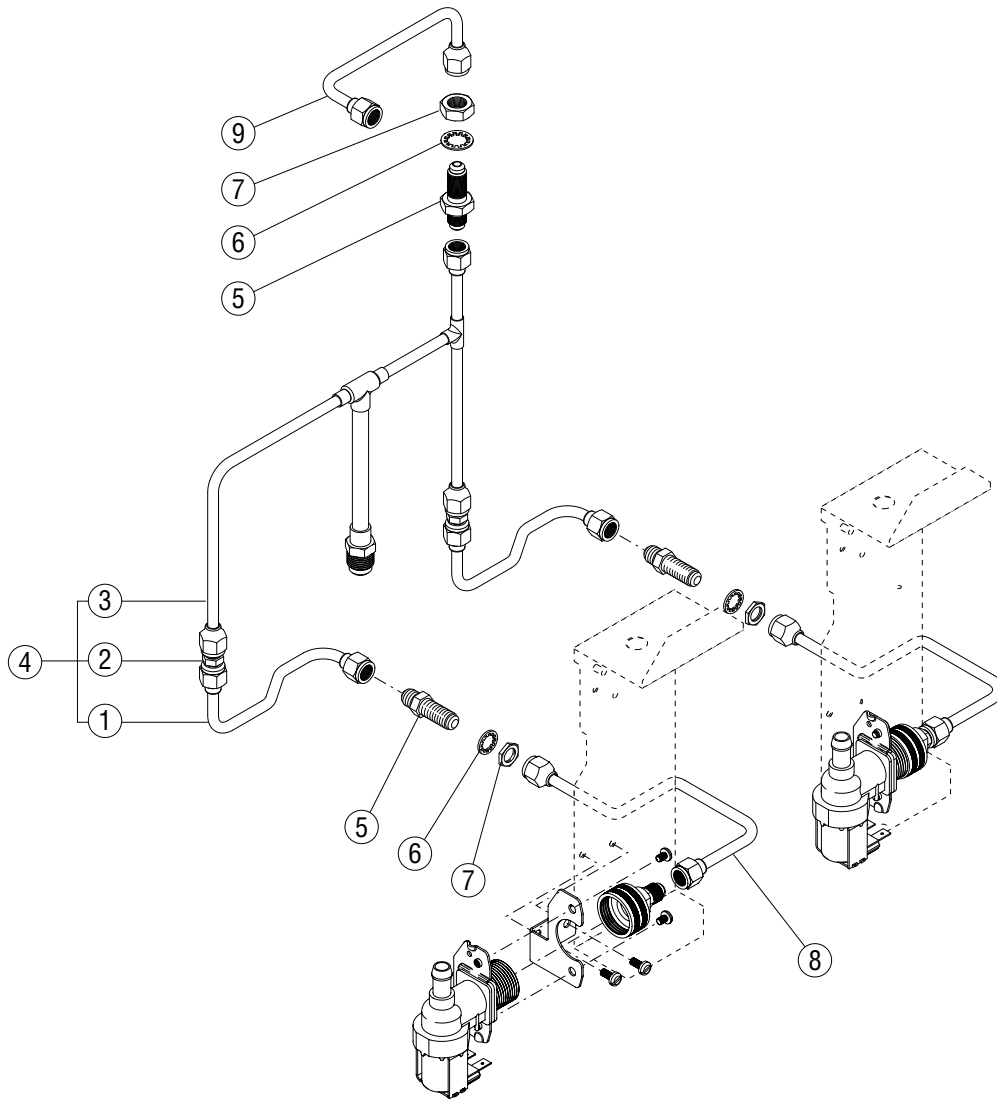
16	11707.1000	-	-	Tube, .25" Dia. x 12"
	11707.1001	-	-	Tube, .25" Dia. x 36"
	11707.1002	-	-	Tube, .25" Dia. x 120"
17	28526.1000	-	-	Tube, .313" Dia. x 12"
	28526.1001	-	-	Tube, .313" Dia. x 36"
	28526.1002	-	-	Tube, .313" Dia. x 60"
	28526.1003	-	-	Tube, .313" Dia. x 120"

* Indicates the part number listed is for reference only.



MANIFOLD AND LINES - LATER TWINS

C/CT/CWTF
Series



MANIFOLD AND LINES - LATER TWINS

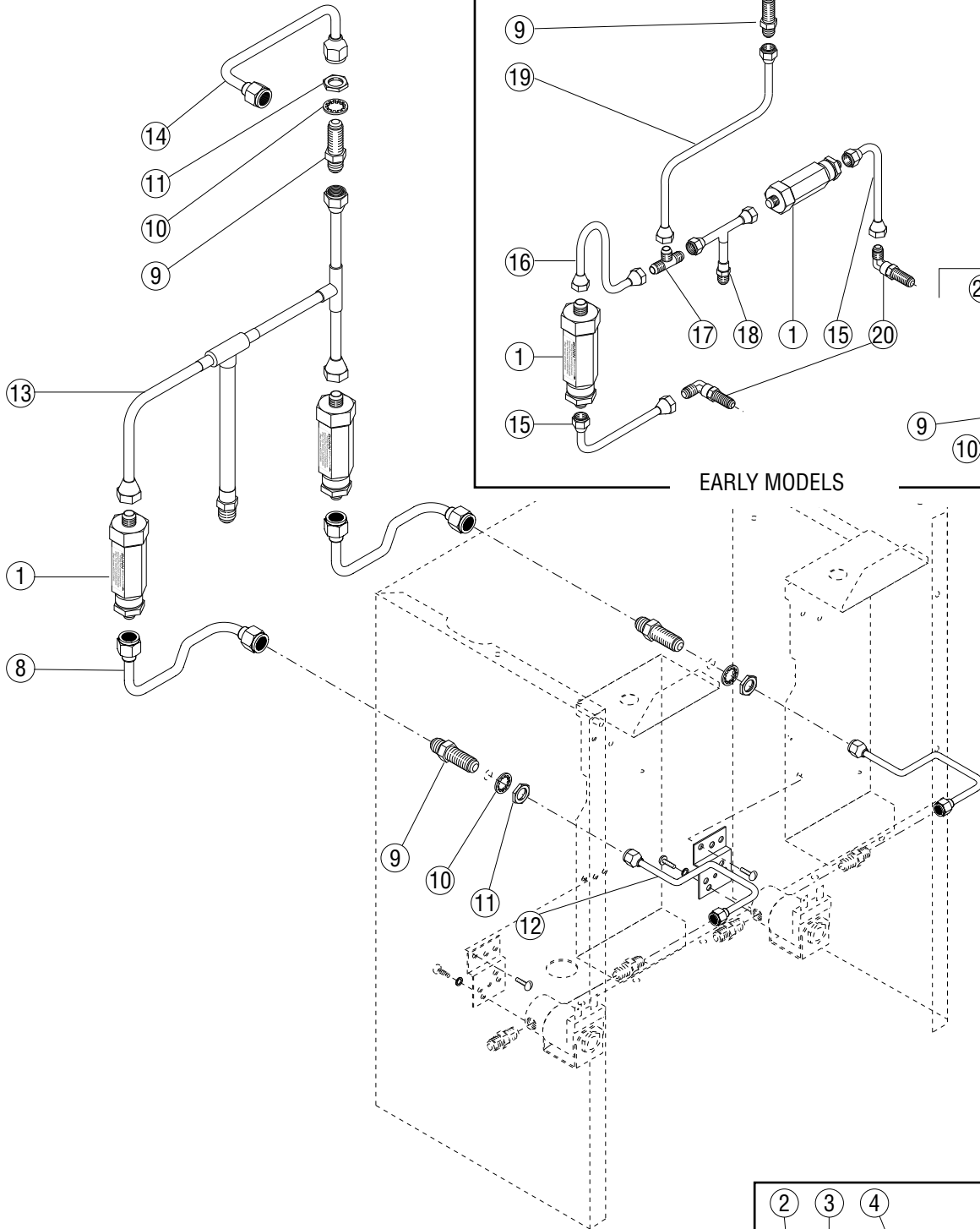
ITEM	PART NO.	QTY. TWIN	QTY. SINGLE	DESCRIPTION
1	33643.0000	2	-	Tube, Manifold to Bulkhead
2	00436.0001	2	-	Union, Tn PI-.250 Flare Male
3	41268.0000*	1	-	Tube Assy, Manifold (Not available, order item 4)
4	41267.0000	1	-	Tube Assy, Manifold (Late Models)
5	00459.0000	3	-	Fitting, Bulkhead .250" Flare
6	01532.0000	3	-	Lockwasher, Internal Tooth .438" I.D.
7	00463.0000	3	-	Nut, Hex .438"-20
8	41281.0000	2	-	Tube, Bulkhead to Solenoid
9	23413.0000	1	-	Tube Assy, Bulkhead to Coil (Faucet)

* Indicates the part number listed is for reference only.



STRAINER/FLOW CONTROL AND LINES - EARLY TWINS

C/CT/CWTF
Series



EARLY MODELS

STRAINER/FLOW CONTROL AND LINES - EARLY TWINS

ITEM	PART NO.	QTY.	QTY.	DESCRIPTION
		TWIN	SINGLE	
1	22300.0222	2	1	Strainer/Flow Control Assy .222 GPM (Includes # 2 - 7)
2	22249.0000	2	1	Cap
3	23721.0000	2	1	Screen
4	22312.0000*	2	1	Housing (Order # 1)
5	20526.1222	2	1	Flow Washer/Gasket Set, .222 GPM (Includes # 6)
6	01155.0000	2	1	Gasket
7	01154.0000	2	1	Fitting, Flow Control Outlet
8	33643.0000	2	-	Tube, Strainer/Flow Control to Bulkhead (Late Models)
9	00459.0000	3	1	Fitting, Bulkhead .250" Flare
10	01532.0000	3	1	Lockwasher, Internal Tooth .438" I.D.
11	00463.0000	3	1	Nut, Hex .438"-20
12	41281.0000	2	-	Tube, Bulkhead to Solenoid
13	33637.0000	1	-	Tube Assy, Manifold (Late Models)
14	23413.0000	1	-	Tube Assy, Bulkhead to Coil (Late Models)
15	21814.0011	2	-	Tube Assy, Strainer/Flow Control to Bulkhead Fittings (Early Models)
16	26318.0000	1	-	Tube Assy, Tee to Left Strainer/Flow Control (Early Models)
17	20577.0001	1	-	Tee .25" Flare (Early Models)
18	24220.0000	1	-	Tube Assy (Early Models)
19	26301.0000	1	-	Tube Assy, Tee to Bulkhead (Early Models)
20	23924.0000	2	-	Fitting Assy, 90° Bulkhead .250" Flare (Early Models)
21	23925.0000	2	-	Elbow, 90° Tube .25"OD to .25" Fem Flare
22	24684.0000	2	-	Gasket, .25" Flare (Copper)

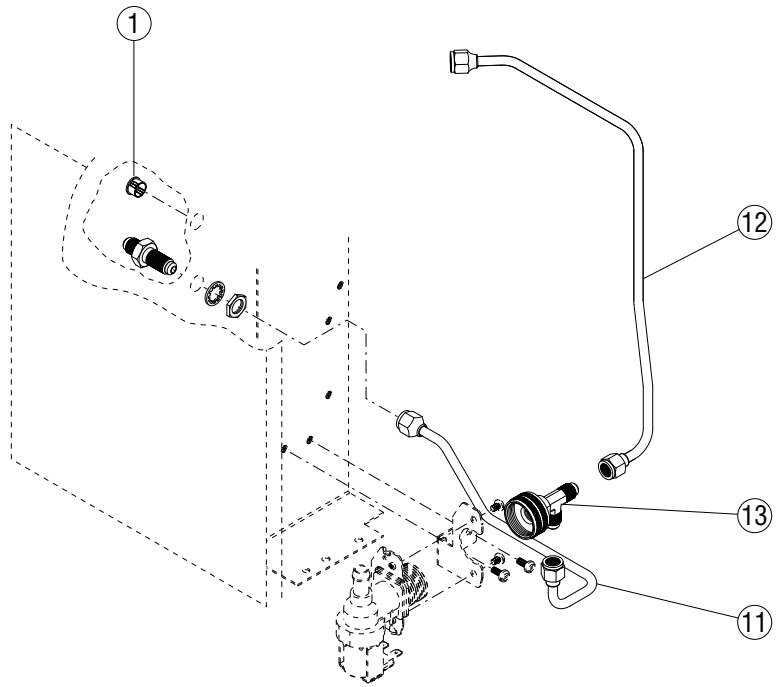
* Indicates the part number listed is for reference only.



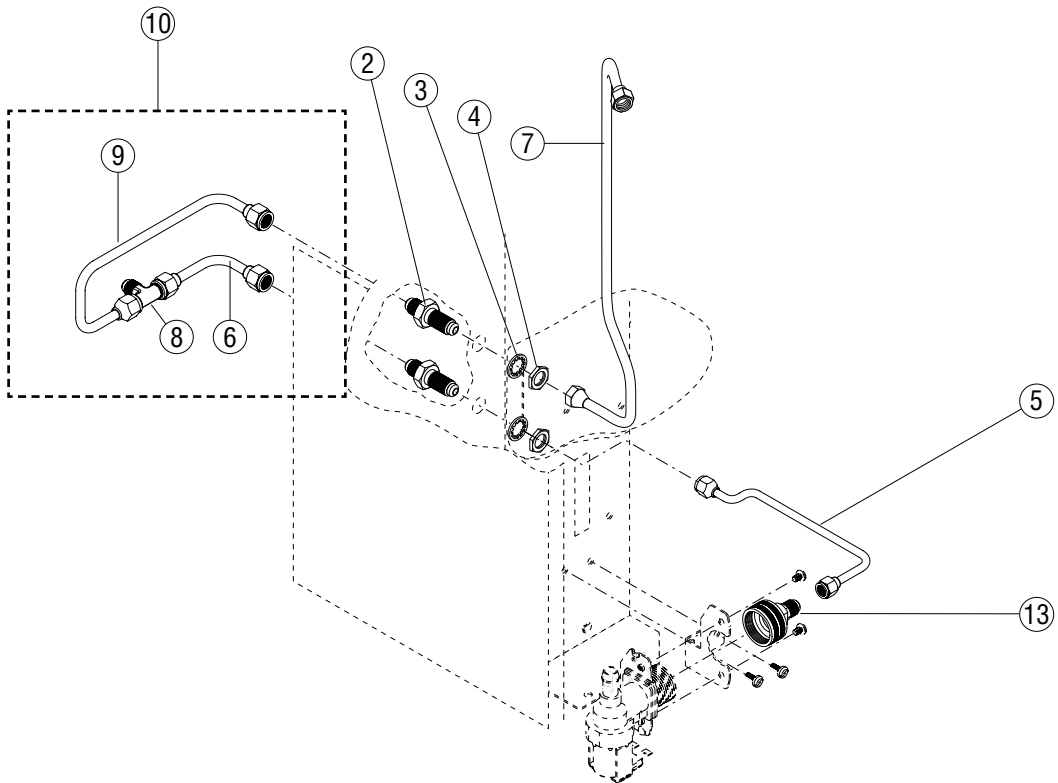
MANIFOLD ASSEMBLIES - LATER SINGLES

C/CT/CWTF
Series

3rd STYLE

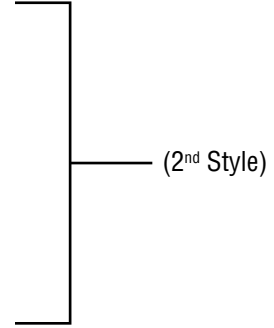


2nd STYLE



MANIFOLD ASSEMBLIES - LATER SINGLES

ITEM	PART NO.	QTY.	QTY.	DESCRIPTION
		TWIN	SINGLE	
1	00669.0003	-	1	Plug, Hole-Nyl Blk .43 Hole Dia
2	00459.0001	-	1	Fitting, Bulkhead .250" Flare (1 Additional used on 2 nd Style)
3	01532.0000	-	1	Lockwasher, Internal Tooth .438" I.D. (1 Additional used on 2 nd Style)
4	00463.0000	-	1	Nut, Hex .438"-20 (1 Additional used on 2 nd Style)
5	41252.0000	-	1	Tube, Bulkhead to Solenoid
6	21814.0016	-	1	Tube
7	20690.0000	-	1	Tube Assy, Bulkhead to Coil
8	20577.0001	-	1	Tee .25" Flare
9	41257.0000	-	1	Tube Assy,
10	41254.0000	-	1	Tube Assy,
11	41252.0001	-	1	Tube Assy, Bulkhead To Tee (3 rd Style)
12	20690.0003	-	1	Tube Assy, Tee To Tank Coil (3 rd Style)
13	37297.1002	-	1	Fitting, 1/4" Flare X 3/4" Fthrd (2 nd Style)
	37297.1005	-	1	Tee,.125 Mpt X .75 Hose (3 rd Style)

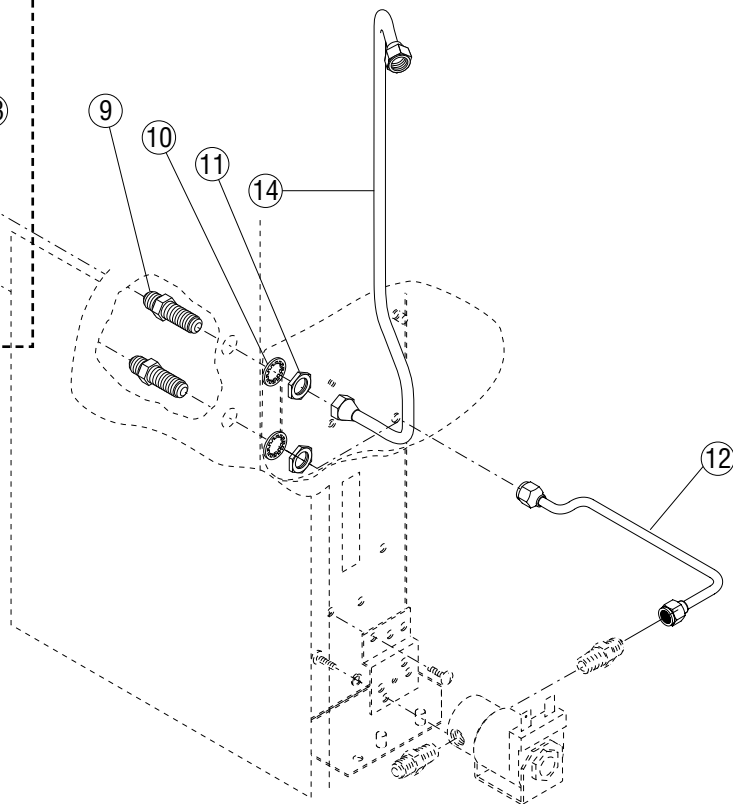
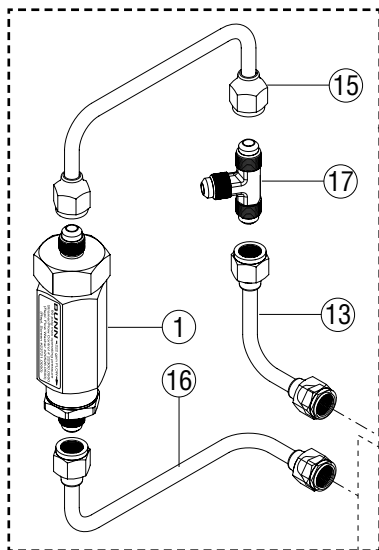
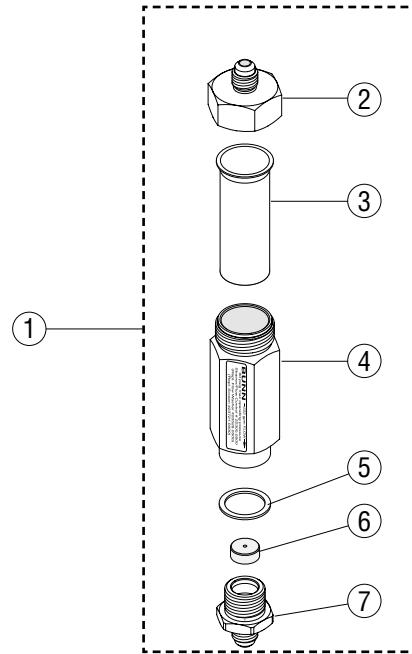
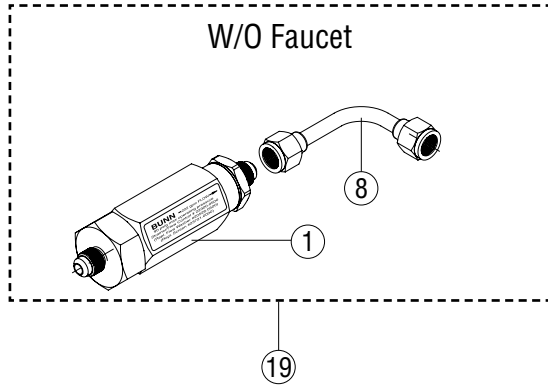


* Indicates the part number listed is for reference only.



STRAINER/FLOW CONTROL - SECOND STYLE SINGLES

C/CT/CWTF
Series



STRAINER/FLOW CONTROL - SECOND STYLE SINGLES

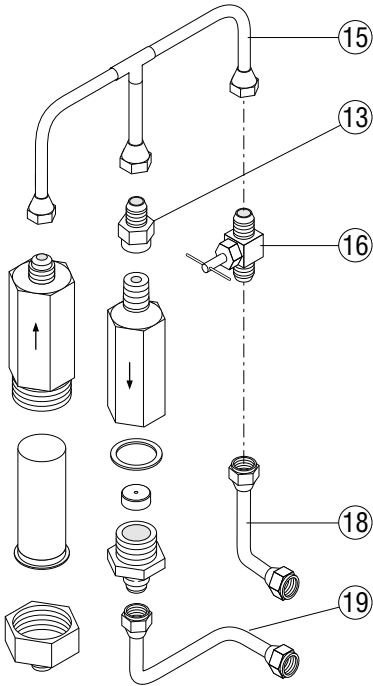
ITEM	PART NO.	QTY.	QTY.	DESCRIPTION
		TWIN	SINGLE	
1	22300.0222	2	1	Strainer/Flow Control Assy .222 GPM (Includes # 2 - 7)
2	22249.0000	2	1	Cap
3	23721.0000	2	1	Screen
4	22312.0000*	2	1	Housing (Order # 1)
5	01155.0000	2	1	Gasket
6	20526.1222	2	1	Flow Washer/Gasket Set, .222 GPM (Includes # 5)
7	01154.0000	2	1	Fitting, Flow Control Outlet
8	00310.0000	-	1	Tube, Strainer/Flow Control to Bulkhead
9	00459.0000	3	1	Fitting, Bulkhead .250" Flare
10	01532.0000	3	1	Lockwasher, Internal Tooth .438" I.D.
11	00463.0000	3	1	Nut, Hex .438"-20
12	41252.0000	-	1	Tube, Bulkhead to Solenoid
13	21814.0016	1	-	Tube
14	20690.0000	-	1	Tube Assy, Bulkhead to Coil
15	26216.0000	-	1	Tube Assy,
16	26217.0000	-	1	Tube Assy
17	20577.0001	1	-	Tee .25" Flare
18	24394.0222	1	-	Manifold Assy (With Faucet)
19	24356.0222	1	-	Manifold Assy (W/O Faucet)

* Indicates the part number listed is for reference only.

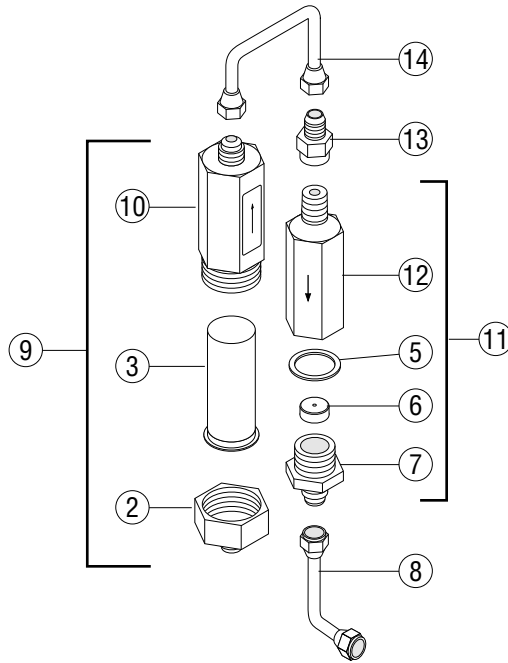


STRAINER/FLOW CONTROL - FIRST STYLE SINGLES

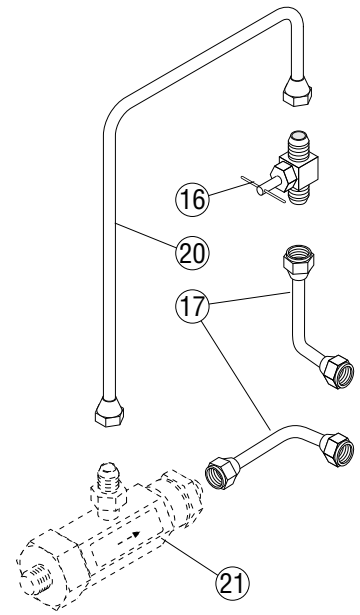
C/CT/CWTF
Series



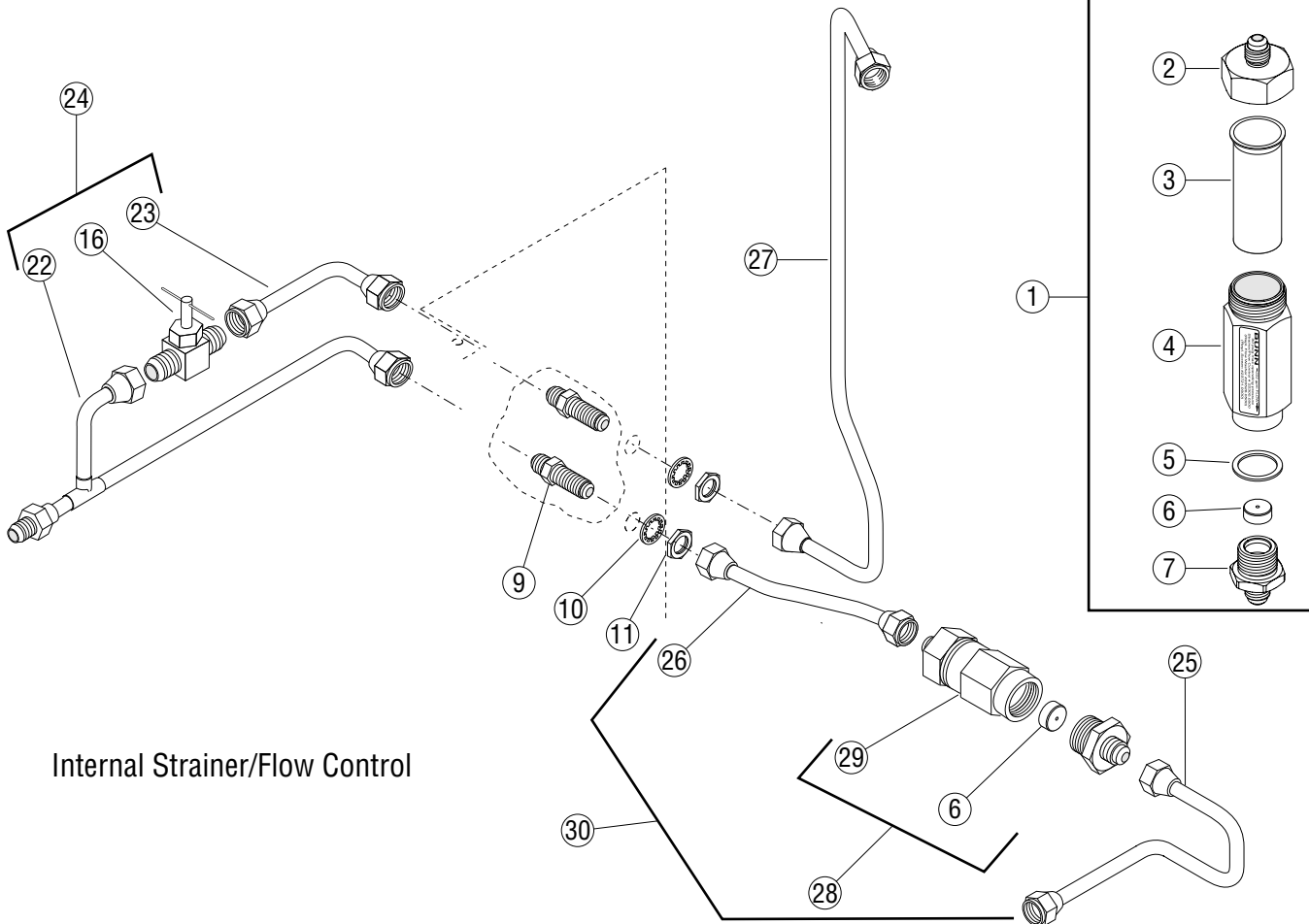
FIRST TYPE W/FAUCET



FIRST TYPE W/O FAUCET



SECOND TYPE W/FAUCET



Internal Strainer/Flow Control

P3917

STRAINER/FLOW CONTROL - FIRST STYLE SINGLES

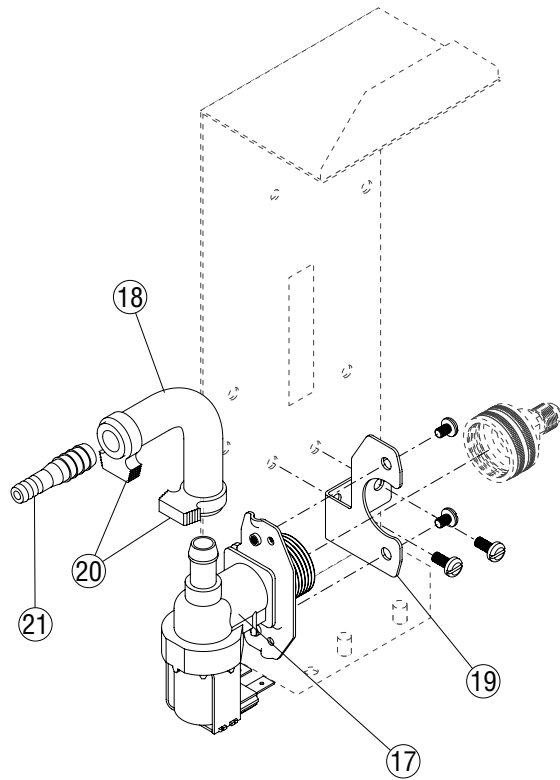
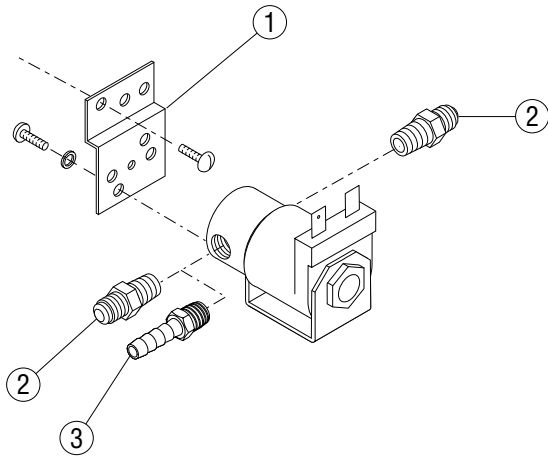
ITEM	PART NO.	QTY.	QTY.	DESCRIPTION
		TWIN	SINGLE	
1	22300.0222	2	1	Strainer/Flow Control Assy. .222 GPM (Includes # 2 - 7)
2	22249.0000	2	1	Cap
3	23721.0000	2	1	Screen
4	22312.0000*	2	1	Housing (Order # 1)
5	01155.0000	2	1	Gasket
6	20526.1222	2	1	Flow Washer/Gasket Set, .222 GPM (Includes # 5)
7	01154.0000	2	1	Fitting, Flow Control Outlet
8	00310.0000	-	1	Tube Assy. Strainer/Flow Control to Bulkhead
9	23820.1000	-	1	Strainer Assy. .250" Flare (Includes # 2,3,10)
10	23819.0000*	-	1	Housing (Order # 9)
11	20528.1222	-	1	Flow Control Assy. .222 GPM (Includes # 5,6,7,12)
12	20527.0001*	-	1	Housing (Order # 11)
13	00445.0001	-	1	Connector, .250" Flare x .125" FPT
14	04572.0000	-	1	Tube Assy.
15	12909.0000	-	1	Tube Assy. Manifold
16	00484.0001	-	1	Needle Valve, .25" Flare
17	21812.0002	-	2	Tube Assy.
18	00310.0002	-	1	Tube Assy.
19	12908.0000	-	1	Tube Assy.
20	24393.0000	-	1	Tube Assy.
21	22312.0001*	-	1	Strainer/Flow Control Assy. NOT AVAILABLE (Refer to # 24394.0222)
22	20785.0000	-	1	Tube Assy. Manifold
23	21812.1006	-	1	Tube Assy.
24	20784.0000	-	1	Manifold/ Needle Valve Assy.
25	20786.1000	-	1	Tube Assy.
26	20782.1000	-	1	Tube Assy.
27	20690.0000	-	1	Tube Assy, Bulkhead to Coil
28	01148.0001	-	1	Strainer/Flow Control Assy. .222 GPM
29	01148.0000	-	1	Strainer/Flow Control Assy. .175 GPM
30	20783.0000	-	1	Strainer/Flow Control Assy. .222 GPM (Includes # 25,26,28)

* Indicates the part number listed is for reference only.

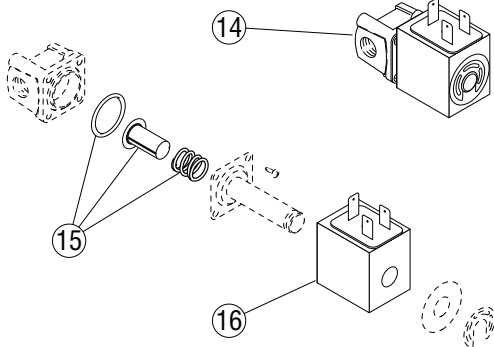


FILL SOLENOIDS

C/CT/CWTF
Series

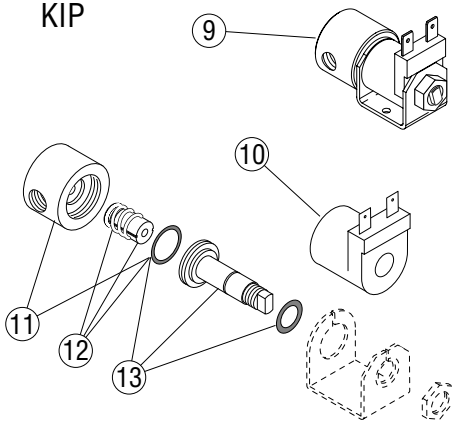


ASCO

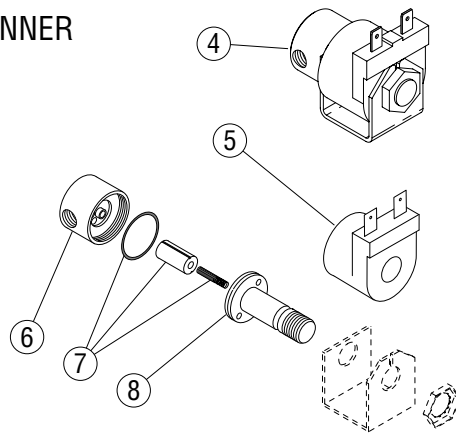


ELTEK

KIP



SKINNER



FILL SOLENOIDS

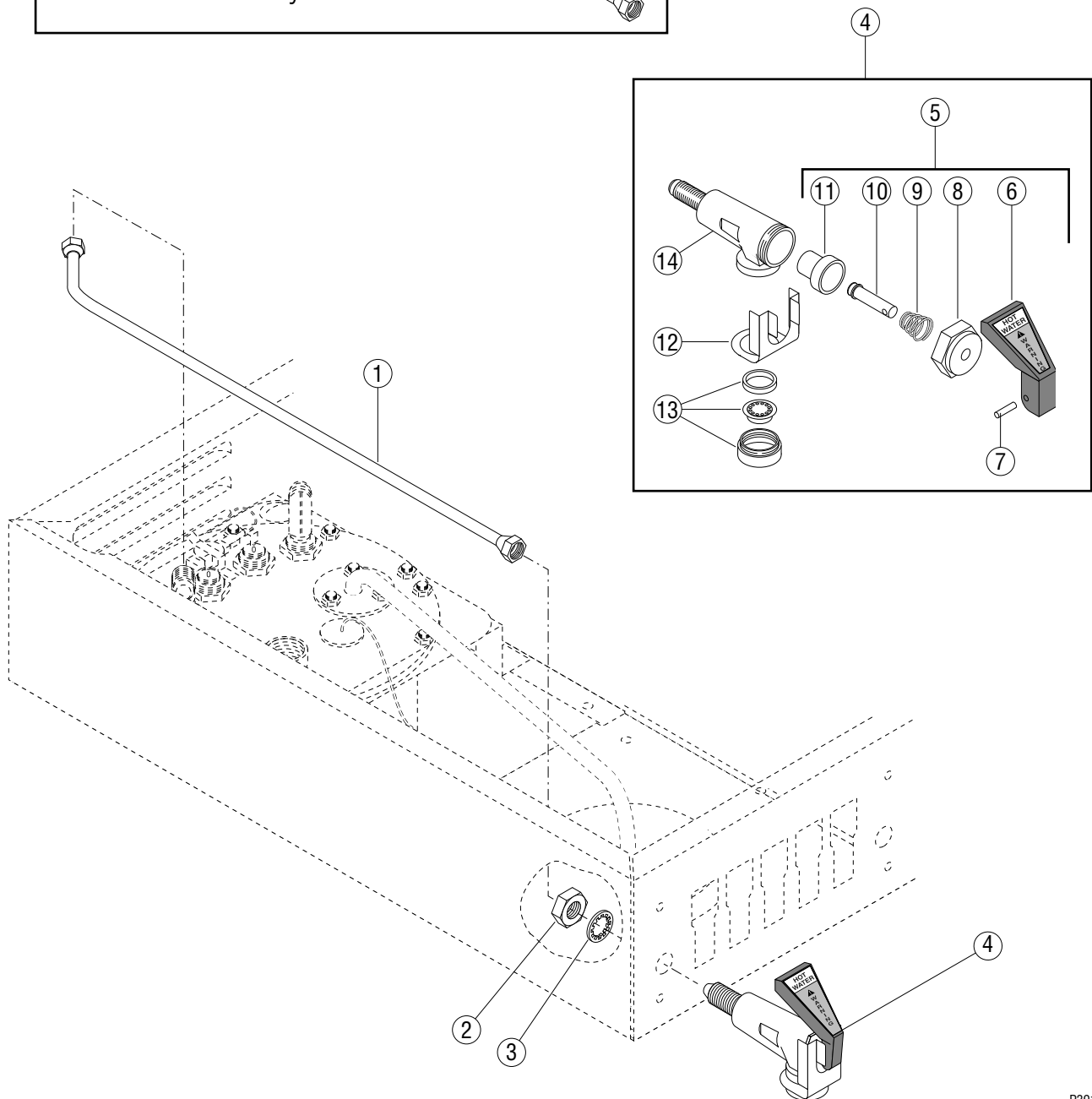
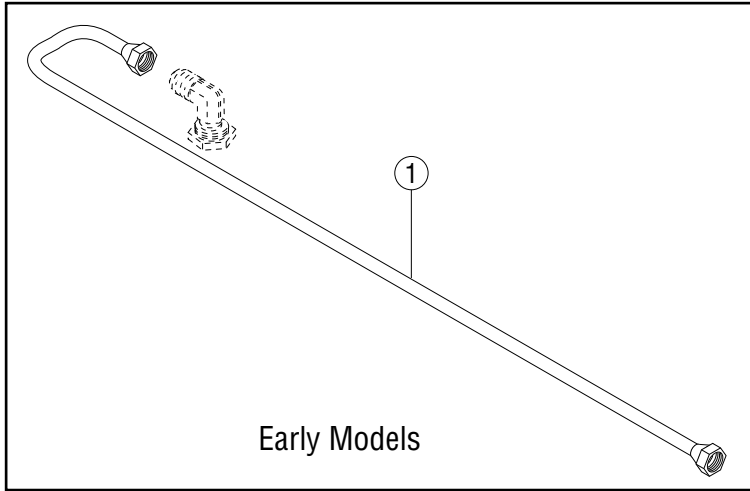
ITEM	PART NO.	QTY. TWIN	QTY. SINGLE	DESCRIPTION
1	07441.0000	2	1	Bracket, Solenoid Mounting
	02308.0000	4	2	Screw, #8-32 X .375" (Bracket - Bracket)
	01327.0000	4	2	Screw, Pan Head #10-32 x .375" (Bracket - Solenoid)
	01502.0000	4	2	Lockwasher, Split #10 (Bracket - Solenoid)
2	00402.0001	2	1	Connector, Male .25" Flare x .125" MPT (2 Used On Early Models)
3	22397.0001	2	1	Fitting, .25" Barb x .125" MPT (Current Models)
4	01085.0000	2	1	Solenoid Valve, 120V - 1.48" Dia Coil
	01975.0000	2	1	Solenoid Valve, 240V - 1.48" Dia Coil
	21180.0000	2	1	Solenoid Valve, 200V - 1.48" Dia Coil
5	01100.0000	2	1	Coil - 240V
	01101.0000	2	1	Coil - 120V
	21181.0000	2	1	Coil - 200V
6	01079.0000	2	1	Base
7	01111.0000	2	1	Repair Kit
8	01116.0000	-	1	Guide
9	01085.0002	2	1	Solenoid Valve, 120V - 1.0" Dia Coil
10	28480.0000	2	1	Coil - 120V
11	28479.0000	1	1	Solenoid Valve Base Kit - 1" Dia Coil (Includes O-ring)
12	01111.0002	1	1	Repair Kit - 1" Dia Coil (Includes Plunger, Spring and O-ring)
13	28481.0000	1	1	Guide Kit - 1" Dia Coil (Includes Washer & O-ring)
14	28005.0000	2	1	Solenoid Valve, 240V
15	28021.0000	2	1	Repair Kit
16	28020.0000	2	1	Coil - 240V
17	42025.0000	2	1	Kit, Universal Replacement Solenoid, 120V
	42025.0001	2	1	Kit, Universal Replacement Solenoid, 230V
	41255.0002	-	1	Solenoid Valve 200V
	41255.0003	-	1	Solenoid Valve 100V
	32283.0000	4	2	Screw, Sst Sltd Pnh M4 X 6MM
	41935.0000	2	1	Kit, Solenoid Retrofit, 120V (Includes 17 - 22)
	41935.0001	2	1	Kit, Solenoid Retrofit, 230V (Includes 17 - 22)
	46884.0000	2	1	Strainer
18	20976.0006*	2	1	Tube, Silicone .38ID x .62OD x 4.50 (Order # 22)
19	41256.0000	2	1	Bracket
	02308.0000	4	2	Screw, #8-32 X .375" (Bracket - Bracket)
20	12422.0001	4	2	Clamp, SNP - 10
21	26443.0001	2	1	Reducer, SST Hose Barb .38X.25
The Following Items Are Not Illustrated				
22	20976.1000	-	-	Tube, .375" ID x 12" (Use as required)
	20976.1001	-	-	Tube, .375" ID x 36" (Use as required)
	20976.1002	-	-	Tube, .375" ID x 120" (Use as required)

* Indicates the part number listed is for reference only.



FAUCET AND TUBING

C/CT/CWTF
Series



P3919

FAUCET AND TUBING

ITEM	PART NO.	QTY.		DESCRIPTION
		TWIN	SINGLE	
1	20691.0001	1	1	Tube Assembly, Coil to Faucet (Early Models)
	20691.0000	1	1	Tube Assembly, Coil to Faucet (Late Models)
2	00463.0000	1	1	Faucet Jam Nut
3	01532.0000	1	1	Lockwasher, Internal Tooth .438" I.D.
4	12915.0000	1	1	Faucet, Hot Water (Includes items 5 thru 14)
5	13061.0000	1	1	Faucet Handle/Stem Assembly (Includes items 6 thru 11)
6	13053.0000	1	1	Faucet Handle Kit (Includes item 7)
7	02858.0000	1	1	Pin, Spring .125" Dia x .50"
8	13060.0000	1	1	Faucet Bonnet Nut
9	13055.0000	1	1	Faucet Spring
10	13054.0000	1	1	Faucet Stem
11	13056.0000	1	1	Faucet Seat Cup
12	13057.0000	1	1	Faucet Safety Clip
13	13058.1000	1	1	Kit, Faucet Aerator
14	35129.0000	1	1	Body, Faucet (Not available. Order item 4)

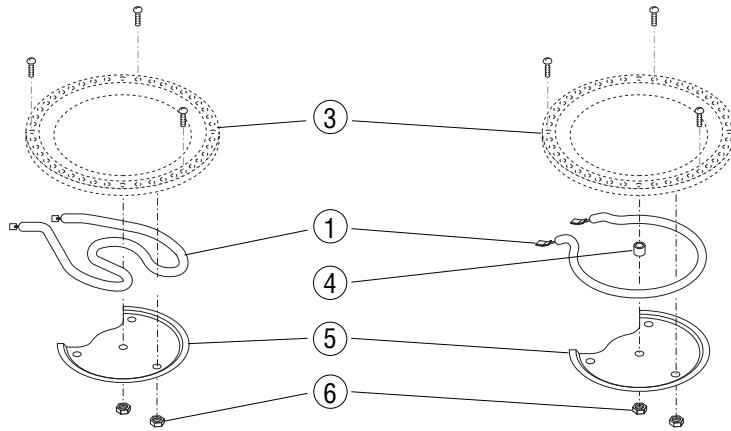
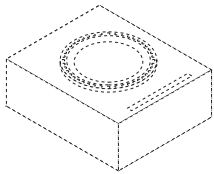
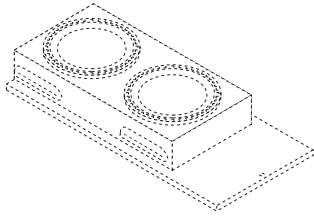


WARMER ASSEMBLIES

C/CT/CWTF
Series

UPPER & SIDE HOUSING WARMERS

(A)

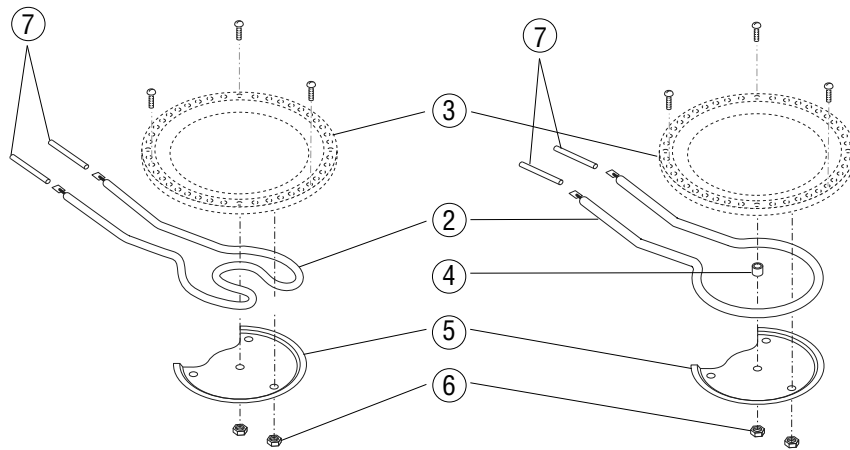
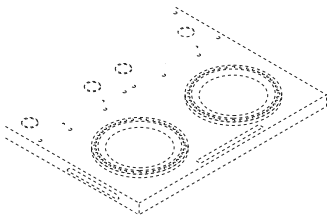
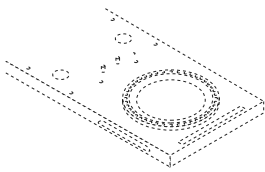


'A" &"B" MODELS ONLY

120V & 120/240V MODELS ONLY

BASE WARMERS

(B)



'A" &"B" MODELS ONLY

120V & 120/240V MODELS ONLY

WARMER ASSEMBLIES

ITEM	PART NO.	QTY. TWIN	QTY. SINGLE	DESCRIPTION	
A	03652.0000	1		Warmer Assembly 120V, Top & Side Warmers (Includes items 1, & 3 - 6)	
	11440.0009	1		Warmer Assembly 220V, Top & Side Warmers (Includes items 1, 3, 5, & 6)	
	11440.0011	1		Warmer Assembly 200V, Top & Side Warmers (Includes items 1, 3, 5, & 6)	
	01303.0000	3		Screw, Pan Head - SST #4-40 x .5"	
	00916.0000	3		Fastener, J-Type #4-40	
	1	01227.0000	1		Warmer Element 120V Top & Side Warmers
		01951.0000	1		Warmer Element 220V Top & Side Warmers ("A" Models)
		01951.0001	1		Warmer Element 200V Top & Side Warmers ("B" Models)
	B	11440.0005	1		Warmer Assembly 120V, Base Warmers (Includes items 2-7) (Single CW)
		11440.0008	1		Warmer Assembly 220V, Base Warmers (Includes items 2, 3, 5, & 6)
11440.0010		1		Warmer Assembly 200V, Base Warmers (Includes items 2, 3, 5, & 6)	
01303.0000		3		Screw, Pan Head - SST #4-40 x .5"	
00916.0000		3		Fastener, J-Type #4-40	
2		11442.0000	1		Warmer Element 120V Base Warmers (Single CW)
		11438.0000	1		Warmer Element 220V Base Warmers ("A" Models)
		11438.0001	1		Warmer Element 200V Base Warmers ("B" Models)
3		03656.0000	1		Warmer Dish, Blk 45 Hole
4		13042.0001	1		Spacer, (120V Models Only)
5	05212.0000	1		Plate, Element Retaining	
6	00970.0000	2		Nut, Keps #8-32	
7	04828.0001*	2		Tube, Silicone .25" Dia x 1.875" LG. (Order Item 8)	
The Following Items Are Not Illustrated					
8	04828.1001	-		Tube, Silicone .25" Dia. x 24" LG (Use as required)	
9	24785.0002	1		Galley Kit, "C" Series, 3 Warmers	
10	21016.0011	1		Ground Wire, 15.0" LG.- Lower Warmer to Ground Screw	
11	21016.0012	1		Ground Wire, 10.0" LG.- Upper Warmer to Upper Warmer	
12	21016.0027	1		Ground Wire, 26.0" LG.- Lower Warmer to Ground Screw	



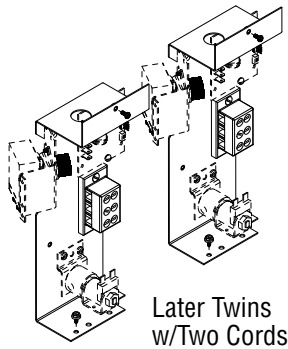
All warmers listed above are rated @ 100 watts

* Indicates the part number listed is for reference only.

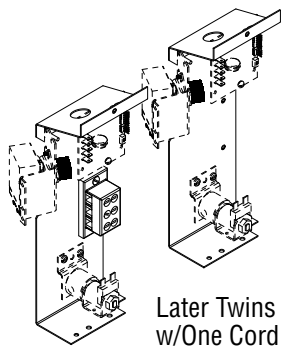


ELECTRICAL AND OPERATING CONTROLS

C/CT/CWTF Series

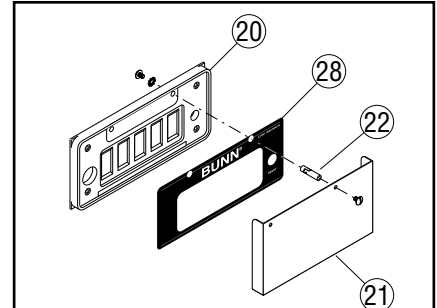
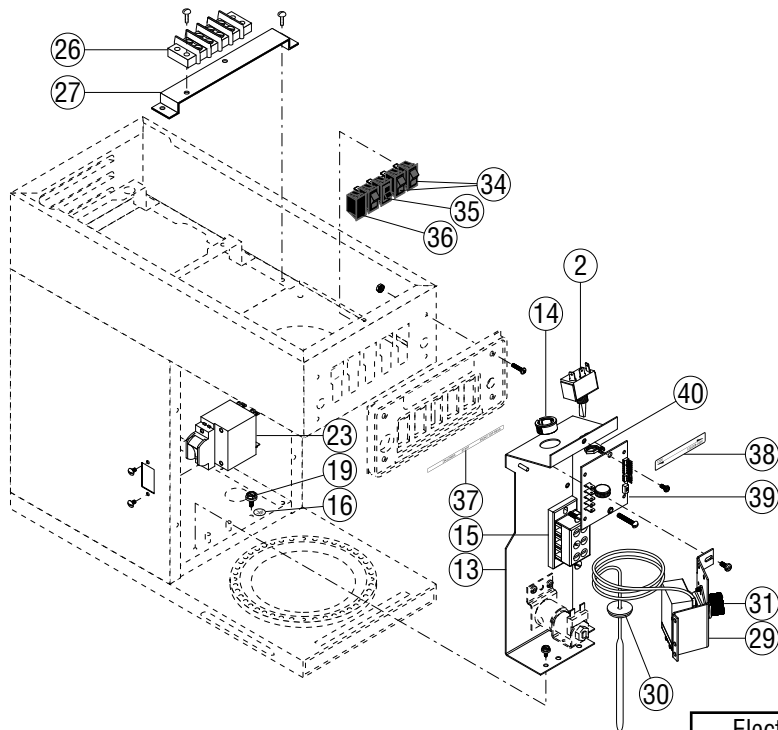
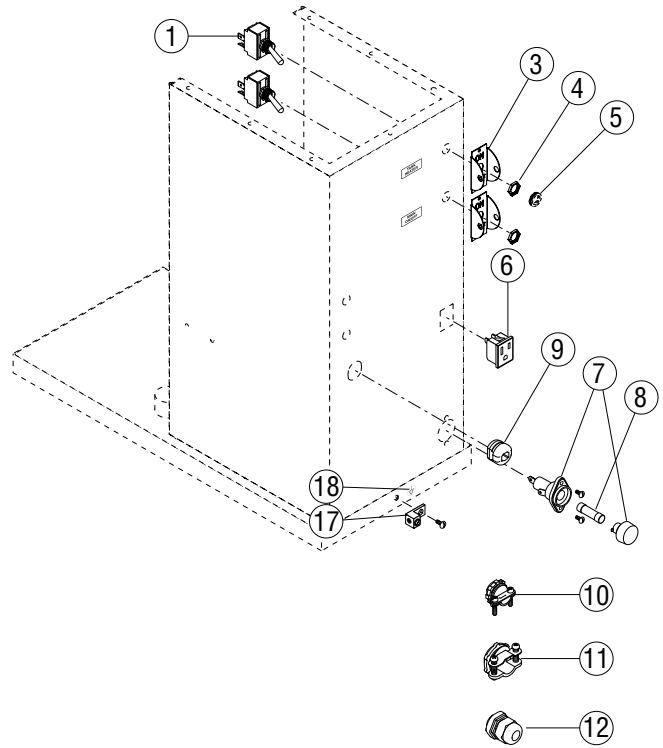
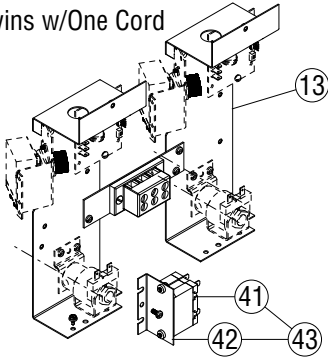


Later Twins
w/Two Cords

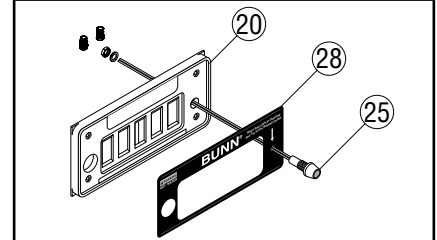


Later Twins
w/One Cord

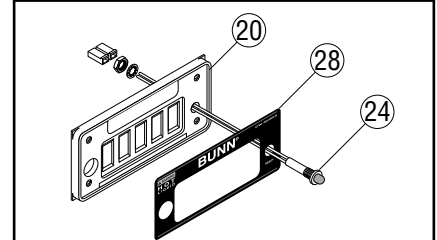
Early Twins w/One Cord



Brewers w/Switch Cover

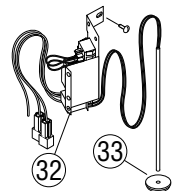


Brewers w/Fresh Timer



Brewers w/Ready Light

Electronic
Thermostat



ELECTRICAL AND OPERATING CONTROLS

ITEM	PART NO.	QTY.		DESCRIPTION
		TWIN	SINGLE	
1	28004.0000	-	2	Toggle Switch, (DPST) (Includes Hex Nut) (A Models)
	40763.0001	-	2	Toggle Switch, (DPST) (Includes Hex Nut) (4 Used on 0/6 Twin w/2 Cords)
2	23522.1001	-	1	Toggle Switch, (Dual Volt, SPDT) (Includes Hex Nut)
3	25102.0000	-	1	Bracket, Switch Guard (ON/OFF)
	25102.0001	-	1	Bracket, Switch Guard (I/O)
4	23696.0000	2	1	Hex Nut (2 Used on DV)
5	23697.0000	2	1	Plastic Face Nut
6	03628.0000	-	1	Receptacle, Grounded
7	28176.0000	-	1	Fuse Holder
	02308.0000	-	2	Screw, Pan Head #8-32 x .375"
8	22012.0002	-	1	Fuse, 20 amp
9	01686.0000	-	1	Bushing, Strain Relief (15A Models only)
10	01685.0000	-	1	Bushing, Strain Relief (20/35 & MV/DV Models)
11	01590.0000	1	-	Bushing, Strain Relief (2 Used on 2 Cord TWIN's)
12	05746.1000	1	1	Bushing, Strain Relief (A Models)
13	12698.0005	2	1	Bracket, Component Mounting (All Models Except 2 Cord Twins)
	12698.0004	2	-	Bracket, Component Mounting (2 Cord Twins Only)
	12698.0003	-	-	Bracket, Component Mounting (Single CW Only)
	02308.0000	2	1	Screw, Pan Head #8-32 x .375"
	02332.0001	2	1	Screw, Hex CrimpTite #6-32 x .25"
14	00606.0000	2	1	Bushing .875 Dia.
15	01106.0000	-	1	Terminal Block, 2-pole 120V (Black-White)
	01106.0001	-	1	Terminal Block, 2-pole 240V (Black-Red)
	01106.0003	-	1	Terminal Block, 2-pole 230V (Brown-Blue) (CE)
	07038.0000	3	1	Terminal Block, 3-pole 120/240V (Black-White-Red)
	01317.0000	4	2	Screw #8-32 x .5"
16	00824.0002	1	1	Decal, Ground (One Additional w/Two Cords)
17	27705.0000	-	1	Terminal Lug (CE)
	01327.0000	-	1	Screw, PNH 10-32 x .375"
18	00824.0001	1	1	Decal, Equipotentiality (CE Only)
19	02337.0001	2	1	Ground Screw, Hex Head #10 x .375" (Self Tap)
	01309.0000	2	1	Ground Screw, Pan Head #10-32 x .5" (Square Washer)
20	13352.0008	2	1	Control Panel
	13352.0011	2	1	Control Panel (w/Switch Cover)
	02301.0000	8	4	Screw, Phillips Pan Head #6-32 x .625"
	00973.0000	8	4	Nut, KEPS #6-32
21	27429.0000	2	1	Switch Cover (Brass)
	27429.0002	2	1	Switch Cover (SST)
	01308.0000	4	2	Screw, SST Truss Head #6-32 x .25" (Brass Screw No Longer Available)
22	12148.0000	2	1	Spacer, Hinged
	01308.0000	4	2	Screw, SST Truss Head #6-32 x .25"
	01510.0000	4	2	Lockwasher, #6 External Tooth
23	38894.0001	1	1	Switch, On/Off (One Additional w/ Two Power Cord Twins)
	01308.0002	2	2	Screw, TRH #6-32 x .25"

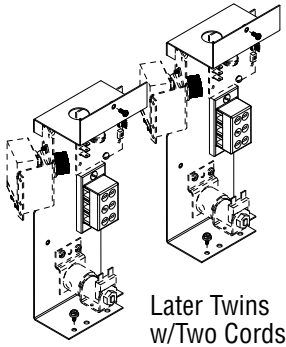
Continued on next page

* Indicates the part number listed is for reference only.

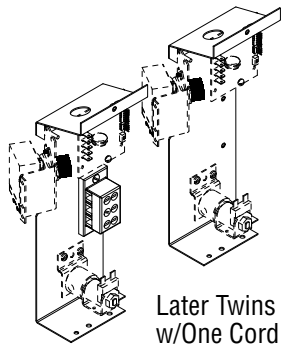


ELECTRICAL AND OPERATING CONTROLS

C/CT/CWTF Series

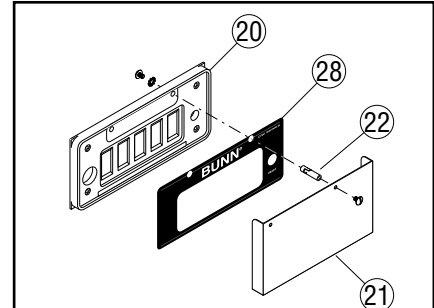
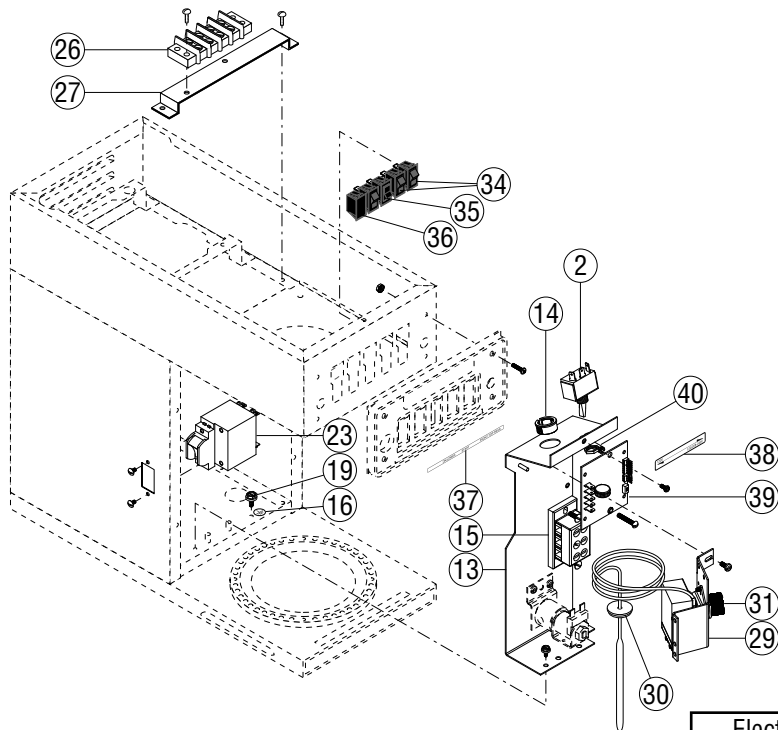
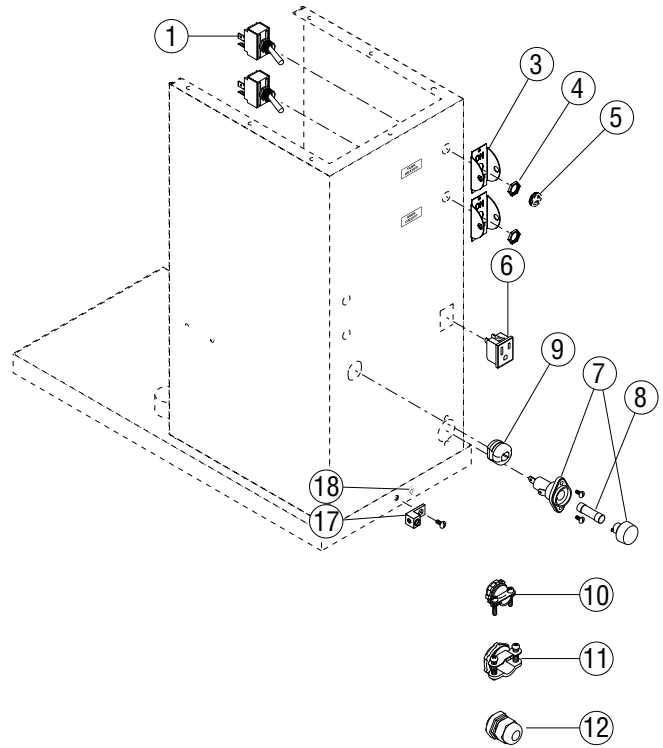
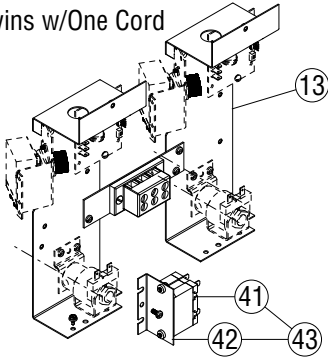


Later Twins
w/Two Cords

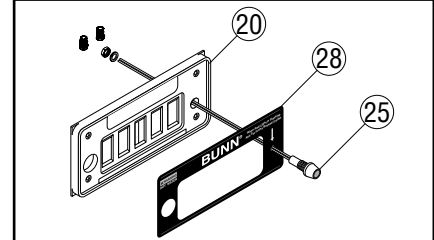


Later Twins
w/One Cord

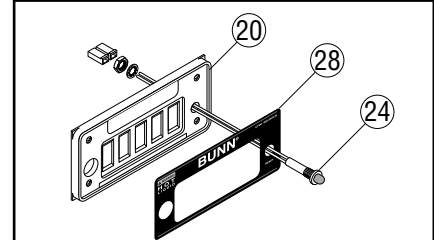
Early Twins w/One Cord



Brewers w/Switch Cover

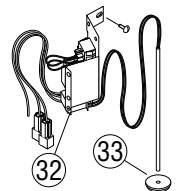


Brewers w/Fresh Timer



Brewers w/Ready Light

Electronic
Thermostat



ELECTRICAL AND OPERATING CONTROLS

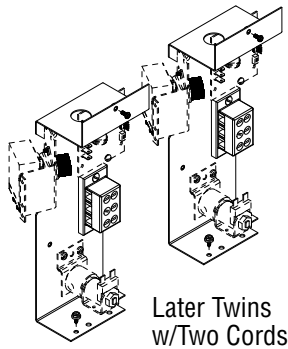
ITEM	PART NO.	QTY.		DESCRIPTION
		TWIN	SINGLE	
24	47575.1000	2	1	Ready Light, 120V Green LED (Includes Hardware as Shown)
	47575.1001	2	1	Ready Light, 240V Green LED (Includes Hardware as Shown)
	04243.0000	4	2	Terminal Housing, Plastic
25	12517.0003	2	1	LED, Fresh Timer (Includes Hardware as Shown)
	25292.0000	2	1	Lock Washer, M6
	34130.0000	2	1	Nut, M6
	03851.0000	4	2	Wire Nut
26	28177.0000	-	1	Terminal Block
	01317.0004	-	2	Screw, Truss Head #8-32 x .625"
27	28179.0000	-	1	Bracket, Term. Block Mounting
28	22289.0000	2	1	Decal, Control Panel (No Faucet, No Light)
	22289.0001	1	1	Decal, Control Panel (No Faucet, w/Ready Light)
	22289.0002	-	1	Decal, Control Panel (w/Faucet, No Light)
	22289.0003	1	1	Decal, Control Panel (w/Faucet, w/Ready Light)
	22289.0005	1	-	Decal, Control Panel (No Faucet, w/Fresh LED)
	22289.0006	1	1	Decal, Control Panel (w/Faucet, w/Fresh LED)
	22289.0012	1	-	Decal, Control Panel (No Faucet, w/Ready Light & Switch Cover)
	22289.0013	1	1	Decal, Control Panel (w/Faucet, w/Ready Light & Switch Cover)
29	04314.0001	2	1	Mechanical Thermostat Kit, w/Leads (Includes Knob & Grommet)
	28319.0000	2	1	Mechanical Thermostat Kit, w/o Leads (Includes Knob & Grommet)
	02308.0000	2	1	Screw, Pan Head #8-32 x .375"
	20762.0000	4	2	Terminal Screws, Brass #8-32 x .25"
30	07073.1000	2	1	Kit, Grommet, Thermostat (Includes 1ea, early/new style)
31	00720.0000	2	1	Knob
32	26527.1000	2	1	Electronic Thermostat Kit, 120V (Includes Grommet)
33	12570.0000	2	1	Grommet, Electronic Thermostat
34	12920.0000	#	#	Warmer Switch, 120V
	12920.0002	#	#	Warmer Switch, 240V
	27727.0001	#	#	Warmer Switch, 230V (A Models)
	20637.0000	-	1	½ Batch Switch (Single CW Only)
35	01063.0000	2	1	Start Switch, Momentary
	27904.0001	2	1	Start Switch, Momentary (A Models)
36	12921.0000	#	#	Switch Blank
	27691.0002	-	1	Ready Light (A Models Only)
37	22295.0000	-	1	Decal, Pour In (No Warmers)
	22295.0001	-	1	Decal, Pour In (One Top Warmer)
	22295.0002	-	1	Decal, Pour In (Three Lower Warmers)
	22295.0003	-	1	Decal, Pour In (One Top, Three Lower Warmers)
	22295.0004	2	1	Decal, Automatic (One Lower Warmer)
	22295.0005	2	1	Decal, Automatic (One Lower, One Top Warmer)
	22295.0006	2	1	Decal, Automatic (Three Lower Warmers)
	22295.0007	-	1	Decal, Automatic (One Top, Three Lower Warmers)
	22295.0010	2	1	Decal, Automatic (One Lower, Two Top Warmers)
	22295.0011	2	1	Decal, Automatic (No Warmers) APS, TC, TS
	22295.0012	-	1	Decal, Pour In (One Lower, Two Top Warmers)
	28010.0000	-	1	Decal, Automatic (One Lower Warmer) (CE Only)
	28010.0001	-	1	Decal, Automatic (One Lower, One Top Warmer) (CE Only)
	28010.0002	-	1	Decal, Automatic (Three Lower Warmers) (CE Only)
	28010.0003	-	1	Decal, Automatic (One Lower, Two Top Warmers) (CE Only)
	28010.0004	-	1	Decal, Automatic (No Warmers) APS, TC (CE Only)
28010.0005	-	1	Decal, Pour In (No Warmers) (CE Only)	
20603.0001	-	1	Decal, Switches 1 Gal. - ½ Batch (Single CW Only)	

* Indicates the part number listed is for reference only.

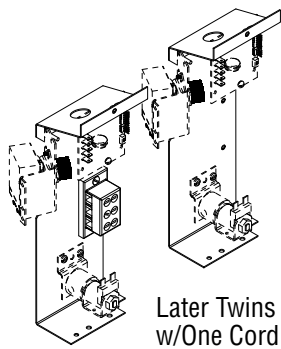


ELECTRICAL AND OPERATING CONTROLS

C/CT/CWTF Series

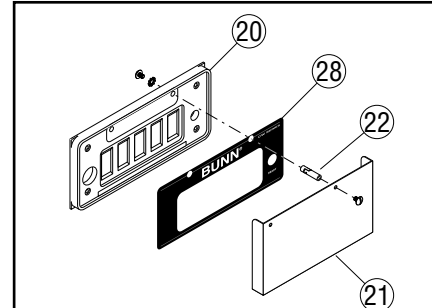
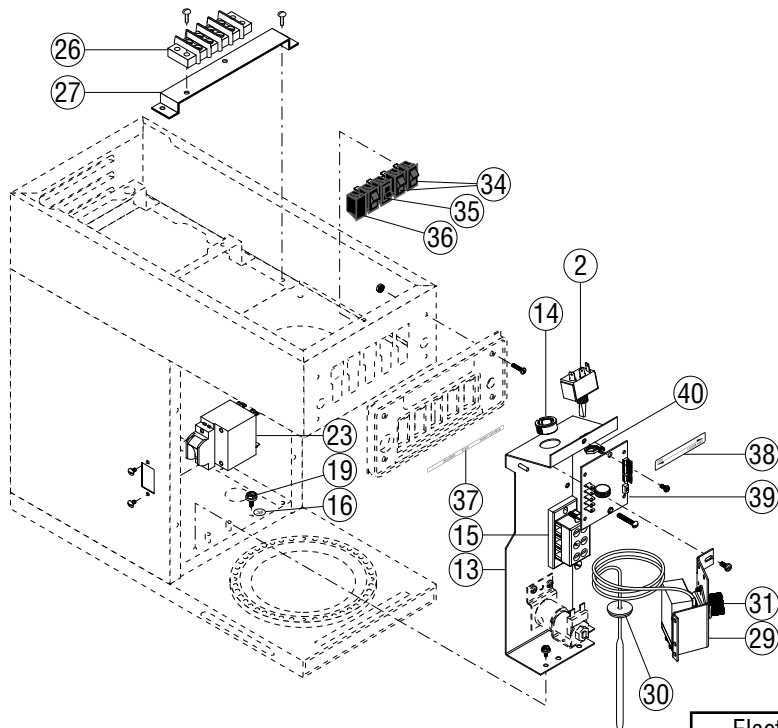
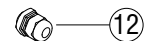
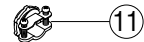
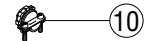
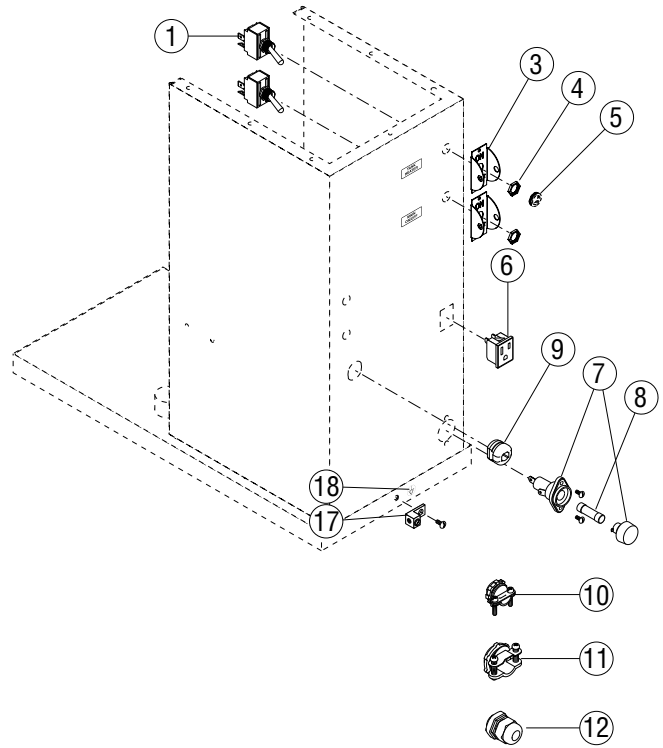
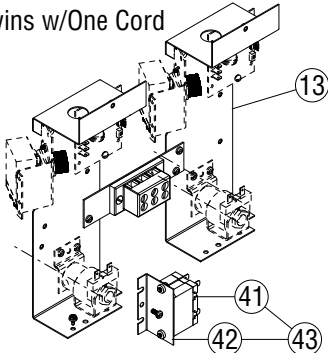


Later Twins
w/Two Cords

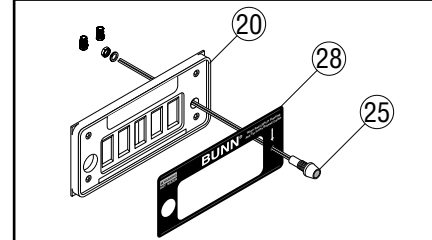


Later Twins
w/One Cord

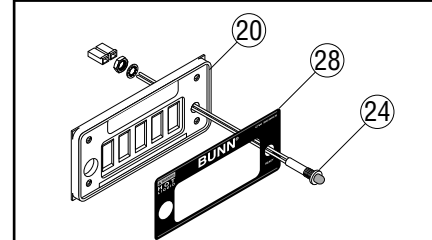
Early Twins w/One Cord



Brewers w/Switch Cover

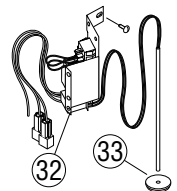


Brewers w/Fresh Timer



Brewers w/Ready Light

Electronic
Thermostat



ELECTRICAL AND OPERATING CONTROLS

ITEM	PART NO.	QTY.		DESCRIPTION
		TWIN	SINGLE	
38	34056.0000	-	1	Decal, Dual Volt
39	32400.0000	2	1	Digital Timer Kit, 120V
	32400.0001	2	1	Digital Timer Kit, 240V
	01320.0000	2	1	Screw, Round Head #8-32 x 1.0" (Late Models)
40	32530.0001	2	1	Spacer
41	37711.0000	2	1	Relay, 120V
	37711.0001	2	1	Relay, 240V
	02308.0000	4	2	Screw, Pan Head #8-32 x .375"
42	36256.0000	2	1	Bracket
	02308.0000	2	1	Screw, Pan Head #8-32 x .375"
43	38326.0000	2	1	Kit, Recovery Booster Relay w/Hardware 120V
	38326.0001	2	1	Kit, Recovery Booster Relay w/Hardware 240V

The Following Items Are Not Illustrated

44	01719.1000	-	1	Power Cord, 120V 15A (Model 15 Only)
	23799.0001	-	1	Power Cord, 120V 20A (Model 20 Only)
	28111.0007	-	1	Power Cord, 230V 13A Plug (UK) CWA-APS
	27728.0011	-	1	Power Cord, 230V 16A (CE Only) CWTF35A No Plug
	32832.0000	1	-	Power Cord, 230V (CE Only) CWTF Twin-APS No Plug
	33529.0002	-	1	Power Cord, 230V 10A Euro Plug (CE Only) CWA/CWTF-APS

Models without Master ON/OFF Switch

45	12985.0000	2	1	Wiring Harness, Thermostat to Ready Light (CWTF & Single CW)
	12985.0003	2	1	Wiring Harness, Thermostat to Ready Light (A Models)
46	25347.0000	2	1	Wiring Harness, Thermostat to Tank
47	29445.1000	2	1	Wiring Harness, Digital Timer Adaptor (Early Models)
48	27018.0000	2	1	Wiring Harness, Thermostat to Relay
	25907.0000	2	1	Lead Assembly, Black (Relay to Solenoid)
	25907.0001	2	1	Lead Assembly, White (Relay to Solenoid)
49	21002.1120	-	1	Lead Assembly, Blue (T. Stat. to Upper Term. Block) MV Models
50	28175.0000	-	1	Wiring Harness, (T. Stat. to Upper Term. Block) MV Models
51	24204.0000	1	-	Wiring Harness, Left Side Wrmr to 3 Pin Connector (Early 0/6 Twin) 120V
	24204.0001	1	-	Wiring Harness, Right Side Wrmr to 3 Pin Connector (Early 0/6 Twin) 240V
	23268.0000	1	-	Wiring Harness, Center Wrmrs to 3 Pin Connector (Early 0/6 Twin) 120V
	23268.0001	1	-	Wiring Harness, Center Wrmrs to 3 Pin Connector (Early 0/6 Twin) 240V
52	25326.0000	-	1	Wiring Harness, One Top Wrmr (Switches to 3 Pin Connector) 120V
	25326.0001	-	1	Wiring Harness, One Top Wrmr (Switches to 3 Pin Connector) 240V
53	23331.0002	-	1	Wiring Harness, Main APS/TC/TSR 240V & CE
54	23953.0000	1	-	Wiring Harness, Main 0/6 Twin 120/240V
55	23989.0000	1	-	Wiring Harness, Main 4/2, 2/2, 0/2 Twin-APS 120/240V
	23989.0001	1	-	Wiring Harness, Main 4/2 - 2/2 Twin 200V
56	23990.0000	1	-	Wiring Harness, Main 4/2, 2/2, Twin 230V (3 Phase)
	23990.0001	1	-	Wiring Harness, Main 2/2 Twin 240V & CE
57	25328.0001	-	1	Wiring Harness, Main (3 Warmers) 240V

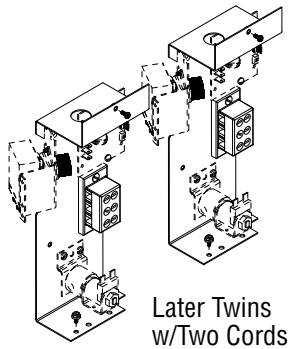
Continued on next page

* Indicates the part number listed is for reference only.

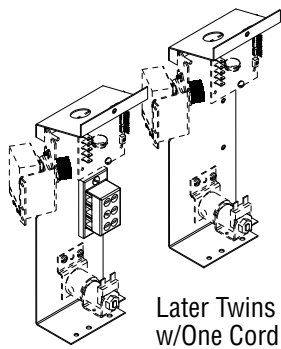


ELECTRICAL AND OPERATING CONTROLS

C/CT/CWTF Series

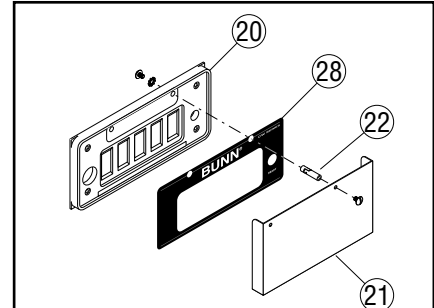
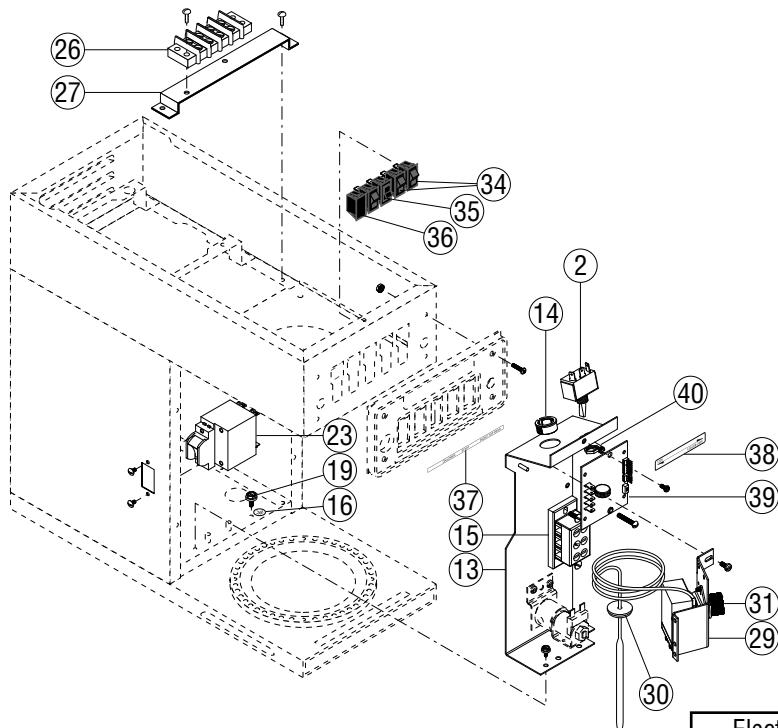
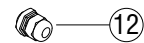
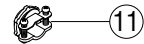
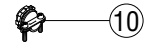
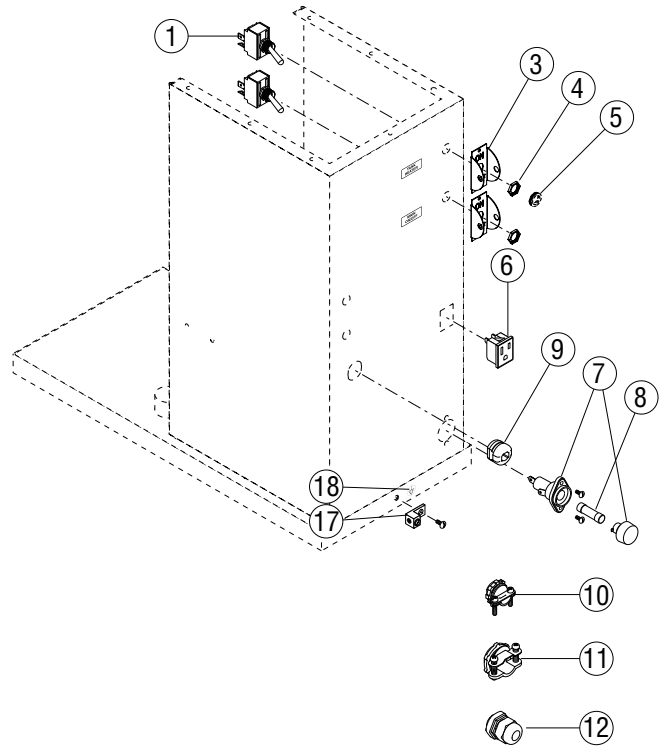
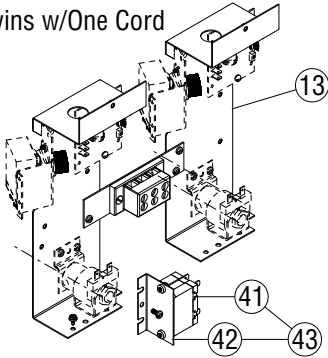


Later Twins
w/Two Cords

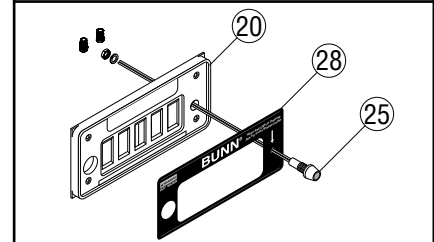


Later Twins
w/One Cord

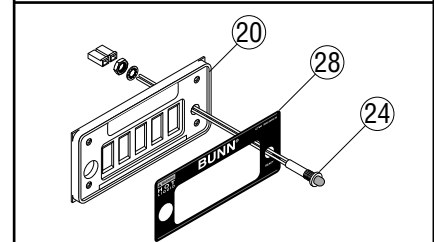
Early Twins w/One Cord



Brewers w/Switch Cover

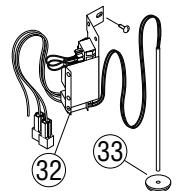


Brewers w/Fresh Timer



Brewers w/Ready Light

Electronic
Thermostat



ELECTRICAL AND OPERATING CONTROLS

ITEM	PART NO.	QTY.		DESCRIPTION
		TWIN	SINGLE	
58	25329.0000	-	1	Wiring Harness, Main (3L/NoUp) & (1L/2Up) 120/240V
	25329.0001	-	1	Wiring Harness, Main (1L/2Up) No Heater Switch 120/240V
	25329.0002	-	1	Wiring Harness, Main APS/TC 120/240V
59	27946.0000	-	1	Wiring Harness, Main (2 Warmers) 240V
60	28051.0000	-	1	Wiring Harness, Main APS/TC 240V & CE
61	33985.0000	-	1	Wiring Harness, Main (3 Warmers) 120V & Single CW-15
62	34005.0000	-	1	Wiring Harness, Main APS/TC (Pour In Only) 120V
63	34023.0000	-	1	Wiring Harness, Main (Single CW-15) 120/240V
	34023.0002	-	1	Wiring Harness, Main (4 Warmers) 120/240V
64	34023.0008	1	-	Wiring Harness, Main Twin-APS (CE) 230V
65	34026.0002	-	1	Wiring Harness, Main APS-DV
	34026.0003	-	1	Wiring Harness, Main APS 120/240V
66	34111.0000	-	1	Wiring Harness, Main (MV Models)
67	34981.0001	-	1	Wiring Harness, Main APS/TC 120V
68	34602.0000	-	1	Wiring Harness, Selector Switch (Single CW Only)
Models with ON/OFF Rocker Switch				
69	23331.0009	-	1	Wiring Harness, Main APS/TS 120V
70	23953.0003	1	-	Wiring Harness, Main 0/6 Twin 120/240V
71	23989.0004	1	-	Wiring Harness, Main Twin-APS 120/240V
	23989.0005	1	-	Wiring Harness, Main 2/2 Twin 120/240V
	23989.0006	1	-	Wiring Harness, Main 4/2 Twin 120/240V
72	28051.0001	-	1	Wiring Harness, Main APS/TC 240V
73	38920.0000	-	1	Wiring Harness, Switch to Terminal Block 240V
	38920.0010	(1)	-	Wiring Harness, Switch to Terminal Block 240V (1 Per Power Cord)
	38920.0004	-	1	Wiring Harness, Switch to Terminal Block 120V
74	34023.0004	2	-	Wiring Harness, Main 0/6 Twin (2 Power Cords)
75	34023.0005	-	1	Wiring Harness, Main (3 Lower Warmers) 120/240V
76	34023.0006	-	1	Wiring Harness, Main (1 Lower, 2 Top Warmers) 120/240V & Sngl CW-35
77	34023.0007	-	1	Wiring Harness, Main (1 Top, 3 Lower Warmers) 120/240V
Models with ON/OFF Toggle Switch				
78	41390.0009	-	1	WIRING HARN, Main CWTF -35 3 lwr
79	41390.0010	-	1	WIRING HARN, Main CWTF -20 3 lwr
80	41390.0011	-	1	WIRING HARN, Main CWTF -35 1 lwr/2 upr & SINGLE CWTF35 1 lwr
81	41390.0012	-	1	WIRING HARN, Main CWTF -35 3 lwr left
82	41390.0014	-	1	WIRING HARN, Main CWTF-20 1 lwr/2 upr
83	41390.0015	-	1	WIRING HARN, Main CWTF-35 TC
84	41390.0016	-	1	WIRING HARN, Main CWTF-20 TC/APS

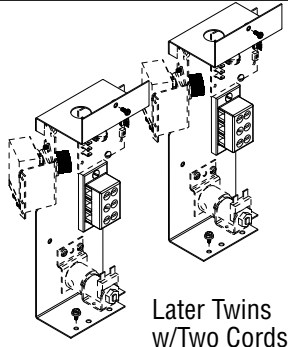
Continued on next page

* Indicates the part number listed is for reference only.

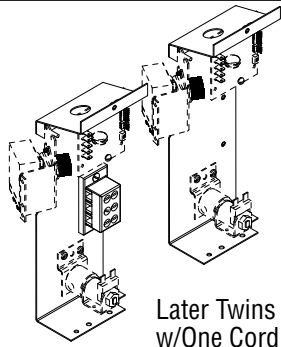


ELECTRICAL AND OPERATING CONTROLS

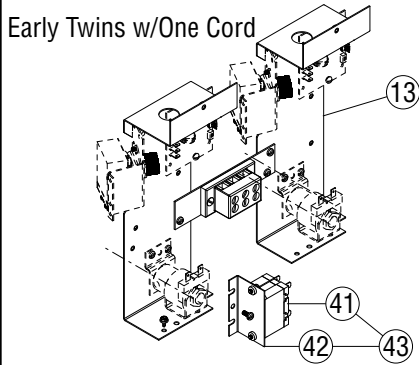
C/CT/CWTF Series



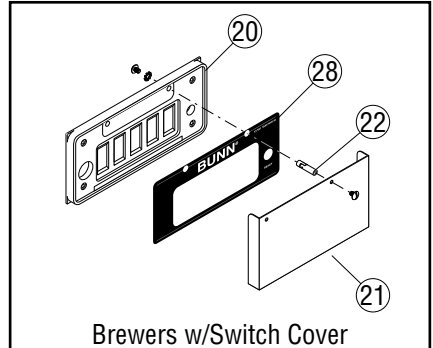
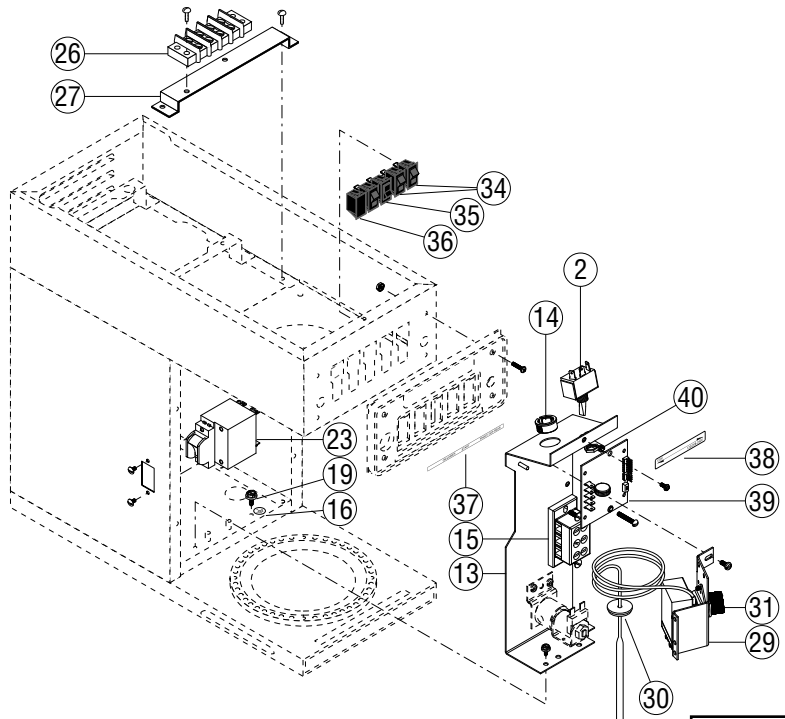
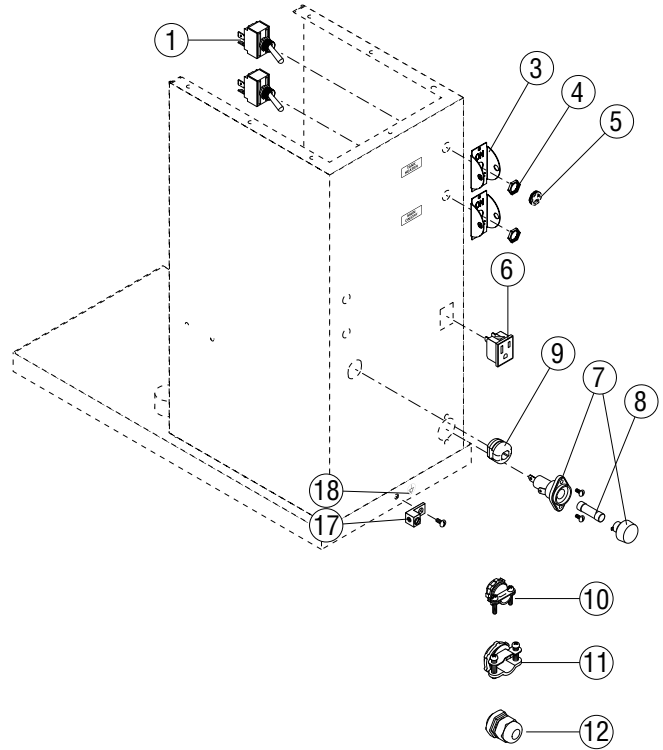
Later Twins
w/Two Cords



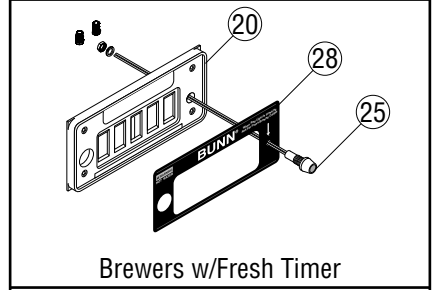
Later Twins
w/One Cord



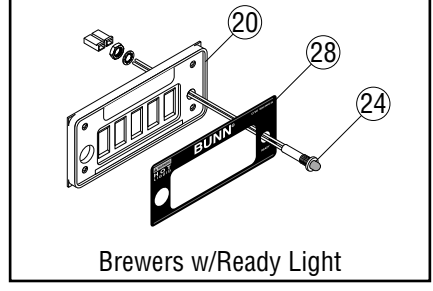
Early Twins w/One Cord



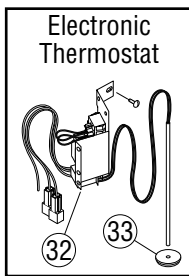
Brewers w/Switch Cover



Brewers w/Fresh Timer



Brewers w/Ready Light



Electronic
Thermostat

ITEM	PART NO.	QTY. TWIN	QTY. SINGLE	DESCRIPTION
85	41390.0017	-	1	WIRING HARN, Main CWTF-DV 1 lwr/2 upr
86	41390.0018	-	1	WIRING HARN, Main CWTF-DV 3 lwr
87	41390.0019	-	1	WIRING HARN, Main CWTF-DV 1 lwr
88	41390.0020	-	1	WIRING HARN, Main CWTF-35 TS/APS
89	41390.0021	-	1	WIRING HARN, Main CWTF-20 TS/APS
90	41390.0022	-	1	WIRING HARN, Main CWTF – APS 230v CE
91	41390.0023	-	1	WIRING HARN, Main CW-20 APS
92	41390.0024	-	1	WIRING HARN, Main CWTF -DV TC/APS
93	41390.0028	-	1	WIRING HARN, Main CWTF35A 230V 3LOWER/1UPPER
94	34023.0009	2	-	Wiring Harness, Main 0/6 Twin (2 Power Cords)
95	40081.0003	2	-	Wiring Harness, Switch to Term Block 0/6 Twin (2 Power Cords)

Harnesses from Upper Warmers to the 3 pin connector

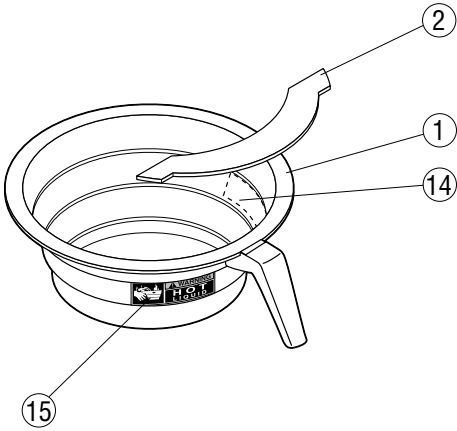
96	02812.0001	-	1	WIRING HARN, Standard 2 Wmr, 2 Switches 120V
	12922.0002	-	1	WIRING HARN, Standard 2 Wmr, 2 Switches 240V
	25348.0003	-	1	WIRING HARN, 2 Wmr, 1 Switch 120V (CK Only)
97	25348.0000	-	1	WIRING HARN, 1 Wmr, (Rear) 2 Switches 120V
	25348.0001	-	1	WIRING HARN, 1 Wmr, (Rear) 2 Switches 240V
	25348.0002	-	1	WIRING HARN, 1 Wmr, (Front) 2 Switches 120V
98	23950.0000	1	-	WIRING HARN, 2 Wmr, (Rear) 2 Switches 120V (2/2 Twin Only)
	23950.0001	1	-	WIRING HARN, 2 Wmr, (Rear) 2 Switches 240V (2/2 Twin Only)
	23950.0002	1	-	WIRING HARN, 2 Wmr, (Front) 2 Switches 120V (2/2 Twin Only)
99	23949.0000	1	-	WIRING HARN, 4 Wmr, 4 Switches 120V (4/2 Twin Only)
	23949.0001	1	-	WIRING HARN, 4 Wmr, 4 Switches 240V (4/2 Twin Only)



FUNNELS

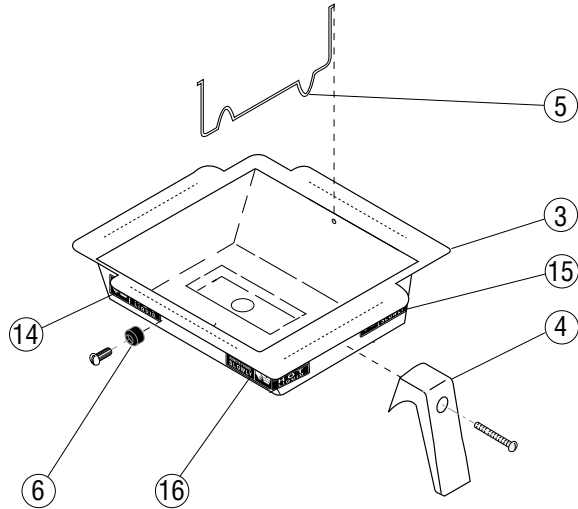
C/CT/CWTF
Series

A



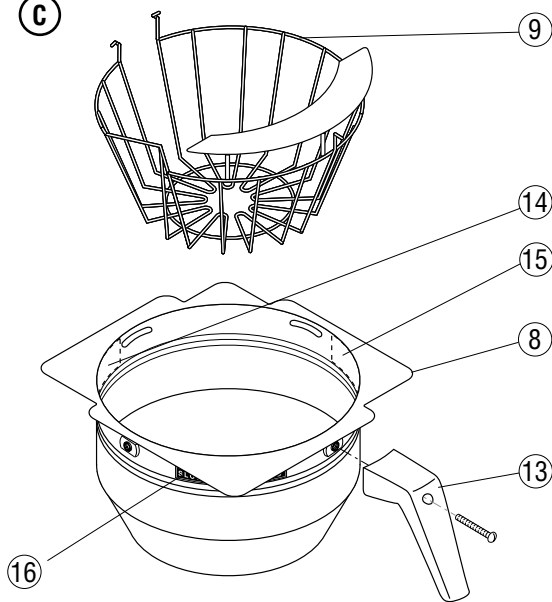
Plastic 'C' Funnel

B



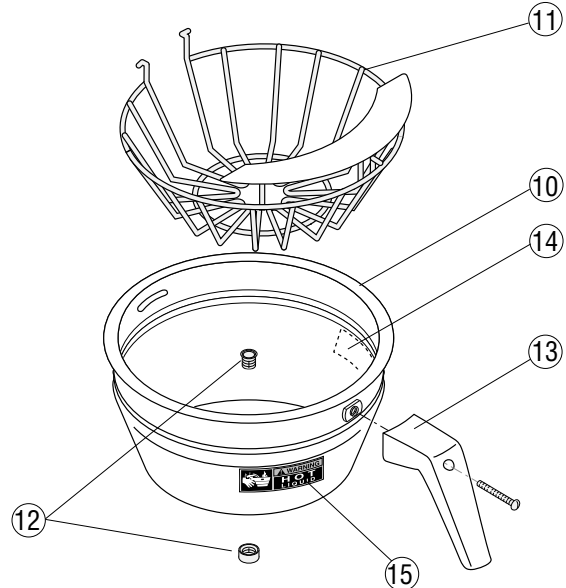
Pouch Pack Funnel

C



SST Gourmet 'C' Funnel

D



SST 'C' Funnel

FUNNELS

ITEM	PART NO.	QTY. TWIN	QTY. SINGLE	DESCRIPTION
A	20583.0002	-	1	Funnel Assy, Smoke Plastic (Includes items 2, 14, & 15)
	20583.0003	-	1	Funnel Assy, Black Plastic (Includes items 2, 14, & 15)
	20583.0006	-	1	Funnel Assy, Orange Plastic (Includes items 2, 14, & 15)
	1 33119.0000*	-	1	Funnel Body, Black Plastic (Order item A)
	1 33127.0000*	-	1	Funnel Body, Orange Plastic (Order item A)
2	32964.0000	-	1	Splashgard, Black Plastic
B	29151.0000	2	1	Funnel Assy, Pouch Pack Blk Handle (Includes items 3-6 & 14-16)
	29151.0001	2	1	Funnel Assy, Pouch Pack Orn Handle (Includes items 3-6 & 14-16)
	04274.0010	2	1	Funnel Assy, Pouch Pack Brown Plastic (Includes item 16)
	04274.0012	2	1	Funnel Assy, Pouch Pack Black Plastic (Includes item 16)
	3 29150.0000*	2	1	Funnel Body, Pouch Pack 'C Series' SST (Order item B)
	4 29152.1000	2	1	Handle Kit, Pouch Pack, Black (Includes mounting screw below)
	29152.1001	2	1	Handle Kit, Pouch Pack, Orange (Includes mounting screw below)
	01331.0002	2	1	Screw, Round Head 10-32 x 1.5"
	5 29845.0000	2	1	Insert, Pouch Pack Funnel
	6 35302.0000	2	1	Keeper, Insert
	01331.0000	2	1	Screw, Round Head 10-32 x .5"
	C	34559.0000	-	1
8 34558.0000*		2	1	Funnel Body, Gourmet SST (Order item C)
9 34546.0000		2	1	Filter Basket, Gourmet 'C'
D	20216.0000	-	1	Funnel Assy, 7.12" SST Blk Handle (Includes items 10, 11 & 13-16)
	20216.0001	-	1	Funnel Assy, 7.12" SST Orn Handle (Includes items 10, 11 & 13-16)
	20217.0000	2	-	Funnel Assy, 7.62" SST Blk Handle (Includes items 10, 11 & 13-16)
	20217.0001	2	-	Funnel Assy, 7.62" SST Orn Handle (Includes items 10, 11 & 13-16)
	10 28553.0000	-	1	Funnel Body, W/Decals, 7.12" SST (Includes items 14 & 15)
	28554.0000	2	1	Funnel Body, W/Decals, 7.62" SST (Includes items 14 & 15)
	11 33088.0000	-	1	Filter Basket, 7.12" SST
	33090.0000	2	1	Filter Basket, 7.62" SST
	12 01031.0000	2	1	Funnel Tip Kit
	13 20244.1000	2	1	Handle Kit, Black (Includes mounting screw below)
	20244.1001	2	1	Handle Kit, Orange (Includes mounting screw below)
	01331.0002	2	1	Screw, Round Head 10-32 x 1.5"
	14 03408.0002	2	1	Decal, Warning - Remove Funnel
	15 03409.0002	2	1	Decal, Warning - Hot Liquid
	16 28694.0000	2	1	Decal, Warning - Hot Liquid/Remove Funnel

D does not include tip kit



* Indicates the part number listed is for reference only.

NUMERICAL INDEX

PART NO.	PAGE NO.	PART NO.	PAGE NO.	PART NO.	PAGE NO.	PART NO.	PAGE NO.
00310.0000	33,35	01148.0000	35	02337.0001	43	10836.0005	13
00310.0002	35	01148.0001	35	02371.0000	9	10836.0009	13
00400.0001	21	01154.0000	29,33,35	02722.0000	5	10836.0010	13
00402.0001	25,37	01155.0000	29,33,35	02722.0001	5	10836.0011	13
00419.0000	25	01200.0000	25	02732.0000	5	10847.0000	13
00425.1000	25	01201.0000	25	02763.0000	5	10867.0000	13
00436.0001	27	01212.0000	25	02765.0000	5	11408.1002	13
00445.0001	35	01212.0001	25	02812.0001	51	11408.1005	13
00459.0000	27,29,33	01227.0000	41	02822.0000	13	11408.1006	13
00459.0001	31	01303.0000	5,9,41	02858.0000	39	11424.0000	25
00462.0001	9	01303.0002	5	02999.0000	5	11431.0002	21
00463.0000	27,29,39	01308.0000	43	03070.1001	21	11435.0000	19
00463.0000	31,33	01308.0002	15,43	03263.0002	9	11438.0000	41
00484.0001	35	01308.0003	15	03408.0002	53	11438.0001	41
00511.1000	19	01309.0000	43	03409.0002	53	11440.0005	41
00606.0000	43	01315.0000	5,9	03628.0000	43	11440.0008	41
00656.0001	13	01315.0000	13,21	03652.0000	41	11440.0009	41
00658.0000	13	01315.0005	13	03656.0000	41	11440.0010	41
00669.0003	9,13,31	01317.0000	43	03851.0000	45	11440.0011	41
00720.0000	45	01317.0004	45	03993.0000	19	11442.0000	41
00754.0001	17	01319.0000	5	03996.0000	19	11707.0003	25
00824.0001	43	01320.0000	47	04118.0000	21	11707.1000	25
00824.0002	43	01326.0007	5,7	04119.0000	23	11707.1001	25
00831.0000	13	01327.0000	37	04133.0000	23	11707.1002	25
00833.0000	5	01327.0000	43	04221.0000	21	12104.0000	15
00908.0000	5,21	01331.0000	53	04236.1000	21	12148.0000	43
00912.0000	5,9,21	01331.0002	53	04243.0000	45	12183.0002	13
00916.0000	5,9,41	01347.0000	7,19	04260.0000	21	12364.0000	17
00942.0000	21	01382.0000	13	04270.0000	25	12364.0000	7
00943.0000	21	01382.0002	13	04270.0002	25	12422.0000	25
00970.0000	11,41	01426.0000	25	04274.0010	53	12422.0001	37
00971.0000	5,7	01502.0000	37	04274.0012	53	12517.0003	45
00973.0000	43	01510.0000	43	04314.0001	45	12570.0000	45
00973.0000	9	01532.0000	27,29,31	04572.0000	35	12667.0001	17
00988.0000	11	01532.0000	33,39	04636.1000	21	12683.0000	9
01031.0000	53	01590.0000	43	04637.1000	21	12683.0002	9
01063.0000	45	01592.0000	5,15,17	04776.0000	23	12687.0000	21
01075.0000	21	01592.0001	5	04828.0001	41	12688.0000	21
01079.0000	37	01593.0000	17	04828.1001	41	12689.1000	21
01082.0000	23	01685.0000	43	04831.0000	5	12698.0003	43
01082.0004	23	01686.0000	43	05212.0000	41	12698.0004	43
01082.0005	23	01719.1000	47	05515.0000	21	12698.0005	43
01082.0007	23	01925.1000	21	05518.0000	21	12908.0000	35
01082.1000	23	01927.0000	21	05746.1000	43	12909.0000	35
01085.0000	37	01951.0000	41	07038.0000	43	12913.0000	25
01085.0002	37	01951.0001	41	07073.1000	45	12914.0002	25
01100.0000	37	01975.0000	37	07441.0000	37	12915.0000	39
01101.0000	37	02301.0000	43	10165.0000	15	12920.0000	45
01106.0000	43	02308.0000	9,11,13	10447.0000	15	12920.0002	45
01106.0001	43	02308.0000	17,19,37	10693.0000	13	12921.0000	17,45
01106.0003	43	02308.0000	43,45,47	10693.0001	13	12922.0002	51
01111.0000	37	02332.0001	43	10693.0002	13	12928.0000	25
01111.0002	37	02332.0002	5,11	10736.0000	13	12978.0000	5
01116.0000	37	02332.0002	17,19	10836.0000	13	12981.0001	5

NUMERICAL INDEX

12985.0000.....	47	21016.0012.....	41	23267.1001.....	13	24204.0001.....	47
12985.0003.....	47	21016.0027.....	41	23268.0000.....	47	24213.0000.....	15
13042.0001.....	41	21104.0003.....	19	23268.0001.....	47	24217.1000.....	21
13053.0000.....	39	21180.0000.....	37	23270.0000.....	11	24220.0000.....	29
13054.0000.....	39	21181.0000.....	37	23294.0000.....	11	24230.0000.....	19
13055.0000.....	39	21812.0002.....	35	23294.0001.....	11	24249.0003.....	13
13056.0000.....	39	21812.1006.....	35	23294.0002.....	11	24253.0000.....	19
13057.0000.....	39	21814.0011.....	29	23294.0008.....	11	24253.0001.....	19
13058.1000.....	39	21814.0016.....	31,33	23294.0011.....	11	24253.0002.....	19
13060.0000.....	39	22012.0002.....	43	23294.1010.....	11	24253.0003.....	19
13061.0000.....	39	22249.0000.....	29,33,35	23294.1015.....	11	24254.0000.....	7
13110.0000.....	5	22289.0000.....	45	23320.1004.....	11	24254.0001.....	7
13255.0005.....	19	22289.0001.....	45	23320.1012.....	11	24254.0002.....	7
13350.0006.....	9	22289.0002.....	45	23321.0000.....	17	24356.0222.....	33
13350.0008.....	9	22289.0003.....	45	23321.0001.....	17	24393.0000.....	35
13350.0011.....	9	22289.0005.....	45	23321.0002.....	17	24394.0222.....	33
13350.0016.....	9	22289.0006.....	45	23321.0003.....	17	24540.0000.....	15
13352.0008.....	43	22289.0012.....	45	23321.0004.....	17	24600.0000.....	17
13352.0011.....	43	22289.0013.....	45	23329.0000.....	19	24684.0000.....	29
20201.0750.....	21	22295.0000.....	45	23331.0002.....	47	24785.0002.....	41
20201.3000.....	21	22295.0001.....	45	23331.0009.....	49	24805.0000.....	17
20211.0100.....	21,23	22295.0002.....	45	23413.0000.....	27,29	24805.0002.....	17
20216.0000.....	53	22295.0003.....	45	23522.1001.....	43	25102.0000.....	43
20216.0001.....	53	22295.0004.....	45	23696.0000.....	43	25102.0001.....	43
20217.0000.....	53	22295.0005.....	45	23697.0000.....	43	25137.0000.....	17
20217.0001.....	53	22295.0006.....	45	23698.1002.....	17	25137.0001.....	17
20244.1000.....	53	22295.0007.....	45	23698.1003.....	17	25158.0000.....	21
20244.1001.....	53	22295.0010.....	45	23698.1004.....	17	25158.0001.....	21
20526.1222.....	29,33,35	22295.0011.....	45	23698.1005.....	17	25158.0002.....	21
20527.0001.....	35	22295.0012.....	45	23721.0000.....	29,33,35	25158.0004.....	21
20528.1222.....	35	22300.0222.....	29,33,35	23768.0000.....	21	25292.0000.....	45
20577.0001.....	29,31,33	22306.0000.....	17	23769.0000.....	21	25319.1000.....	23
20583.0002.....	53	22312.0000.....	29,33,35	23799.0001.....	47	25319.1001.....	23
20583.0003.....	53	22312.0001.....	35	23819.0000.....	35	25319.1002.....	23
20583.0006.....	53	22397.0001.....	25,37	23820.1000.....	35	25319.1010.....	23
20603.0001.....	45	22568.0000.....	19	23924.0000.....	29	25320.1000.....	23
20637.0000.....	45	22730.1002.....	13	23925.0000.....	29	25320.1001.....	23
20690.0000.....	31,33,35	22730.1003.....	13	23929.1000.....	21	25320.1002.....	23
20690.0003.....	31	22730.1005.....	13	23930.1000.....	21	25320.1007.....	23
20691.0000.....	39	22730.1007.....	13	23949.0000.....	51	25320.1012.....	23
20691.0001.....	39	22730.1009.....	13	23949.0001.....	51	25320.1017.....	23
20762.0000.....	45	22733.0000.....	11	23950.0000.....	51	25326.0000.....	47
20782.1000.....	35	22740.0000.....	17	23950.0001.....	51	25326.0001.....	47
20783.0000.....	35	22748.0000.....	11	23950.0002.....	51	25328.0001.....	47
20784.0000.....	35	22748.0001.....	11	23953.0000.....	47	25329.0000.....	49
20785.0000.....	35	22748.0002.....	11	23953.0003.....	49	25329.0001.....	49
20786.1000.....	35	22918.0000.....	23	23989.0000.....	47	25329.0002.....	49
20941.1000.....	21	22918.0001.....	23	23989.0001.....	47	25347.0000.....	47
20976.0006.....	37	22999.0000.....	17	23989.0004.....	49	25348.0000.....	51
20976.1000.....	37	23232.0000.....	9	23989.0005.....	49	25348.0001.....	51
20976.1001.....	37	23232.0002.....	9	23989.0006.....	49	25348.0002.....	51
20976.1002.....	37	23232.0004.....	9	23990.0000.....	47	25348.0003.....	51
21002.1120.....	47	23232.0005.....	9	23990.0001.....	47	25351.0000.....	17
21016.0011.....	41	23267.1000.....	13	24204.0000.....	47	25351.0001.....	17

NUMERICAL INDEX

PART NO.	PAGE NO.	PART NO.	PAGE NO.	PART NO.	PAGE NO.	PART NO.	PAGE NO.
25351.0002	17	28051.0000	49	34005.0000	49	38707.1000	7
25352.0007	11	28051.0001	49	34023.0000	49	38707.1001	7
25633.0002	5	28111.0007	47	34023.0002	49	38707.1002	7
25657.0000	17	28173.0000	23	34023.0004	49	38707.1003	7
25657.0001	17	28174.0000	23	34023.0005	49	38820.0000	15
25657.0002	17	28175.0000	47	34023.0006	49	38894.0001	43
25658.0000	17	28176.0000	43	34023.0007	49	38920.0000	49
25658.0002	17	28177.0000	45	34023.0008	49	38920.0004	49
25864.0000	7	28179.0000	45	34023.0009	51	38920.0010	49
25907.0000	47	28180.0000	5	34026.0002	49	39806.0000	15
25907.0001	47	28181.0000	13	34026.0003	49	40081.0003	51
26216.0000	33	28181.0001	13	34056.0000	47	40085.1000	5
26217.0000	33	28181.0002	13	34061.0013	11	40124.0000	15
26225.0000	15	28226.1000	23	34061.0026	11	40763.0001	43
26283.1000	13	28233.0000	11	34061.1000	11	41252.0000	31,33
26283.1001	13	28242.0000	23	34061.1003	11	41252.0001	31
26285.0000	11	28319.0000	45	34061.1004	11	41254.0000	31
26285.0001	11	28479.0000	37	34061.1006	11	41255.0002	37
26285.0002	11	28480.0000	37	34061.1022	11	41255.0003	37
26285.0006	11	28481.0000	37	34061.1023	11	41256.0000	37
26285.0007	11	28526.0021	25	34061.1025	11	41257.0000	31
26285.0008	11	28526.1000	25	34061.1035	11	41267.0000	27
26287.0000	11	28526.1001	25	34065.1001	19	41268.0000	27
26301.0000	29	28526.1002	25	34111.0000	49	41281.0000	27,29
26318.0000	29	28526.1003	25	34130.0000	45	41390.0009	49
26413.0000	17	28553.0000	53	34208.1002	11	41390.0010	49
26413.0001	17	28554.0000	53	34208.1011	11	41390.0011	49
26443.0001	37	28694.0000	53	34546.0000	53	41390.0012	49
26527.1000	45	29150.0000	53	34558.0000	53	41390.0014	49
26528.0001	19	29151.0000	53	34559.0000	53	41390.0015	49
26953.0000	17	29151.0001	53	34559.0001	53	41390.0016	49
27018.0000	47	29152.1000	53	34602.0000	49	41390.0017	51
27429.0000	43	29152.1001	53	34955.0000	13	41390.0018	51
27429.0002	43	29329.1000	21	34955.0001	13	41390.0019	51
27514.0000	25	29351.0001	53	34955.0002	13	41390.0020	51
27623.0000	19	29445.1000	47	34955.0003	13	41390.0021	51
27691.0002	45	29845.0000	53	34981.0001	49	41390.0022	51
27693.0000	13	32063.0000	25	35129.0000	39	41390.0023	51
27705.0000	43	32283.0000	37	35302.0000	53	41390.0024	51
27727.0001	45	32400.0000	47	35712.0000	17	41390.0028	51
27728.0011	47	32400.0001	47	36256.0000	47	41402.1000	11
27904.0001	45	32530.0001	47	37297.1002	31	41402.1001	11
27929.0000	13	32540.0000	13	37297.1005	31	41402.1003	11
27946.0000	49	32832.0000	47	37711.0000	47	41402.1008	11
28004.0000	43	32964.0000	53	37711.0001	47	41405.0000	15
28005.0000	37	32966.0000	53	37881.0000	5,7,13	41417.1000	11
28010.0000	45	33088.0000	53	37881.0002	5,7	41417.1001	11
28010.0001	45	33090.0000	53	38326.0000	47	41417.1002	11
28010.0002	45	33119.0000	53	38326.0001	47	41426.1000	11
28010.0003	45	33127.0000	53	38496.1000	5	41427.0000	15
28010.0004	45	33529.0002	47	38496.1002	5	41760.0000	5,7
28010.0005	45	33637.0000	29	38498.1000	5,7	41935.0000	37
28020.0000	37	33643.0000	27,29	38503.1000	5	41935.0001	37
28021.0000	37	33985.0000	49	38504.1000	5	42025.0000	37

42025.0001.....	37
46884.0000.....	37
47575.1000.....	45
47575.1001.....	45