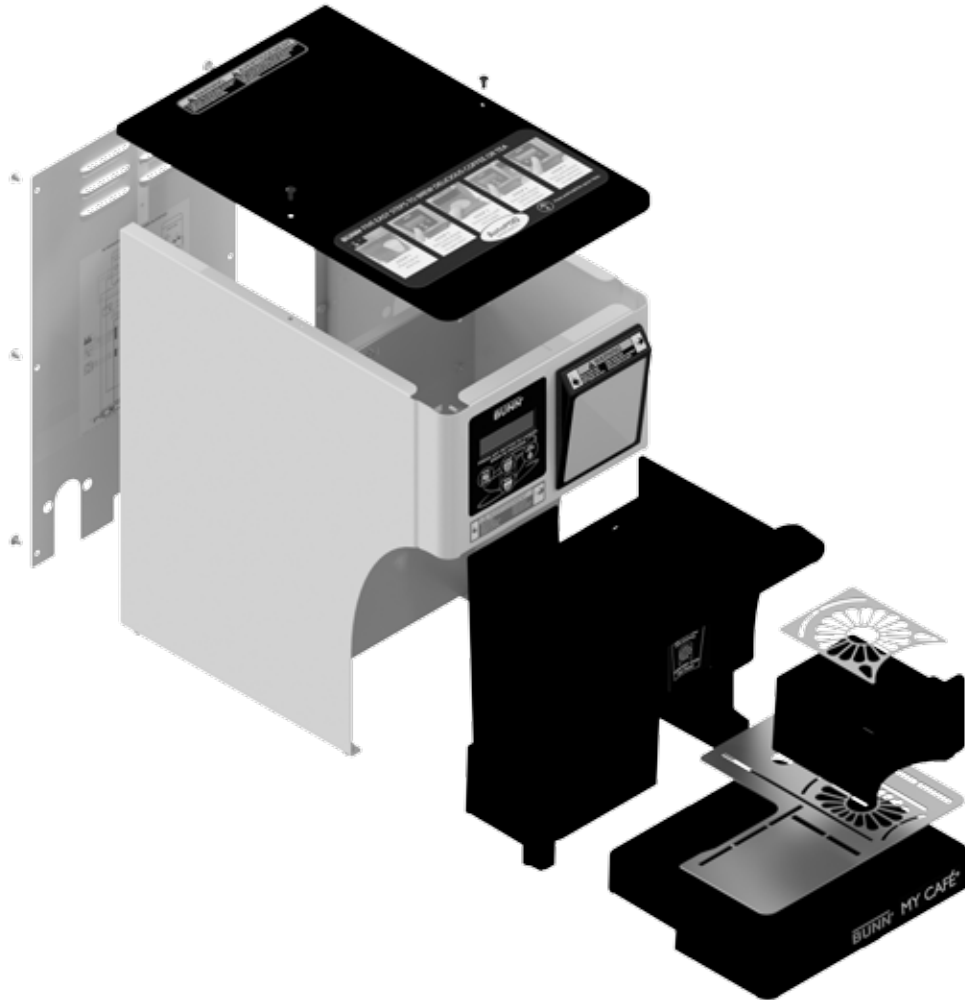




# My Café® AP



## ILLUSTRATED PARTS CATALOG

Designs, materials, weights, specifications, and dimensions for equipment or replacement parts are subject to change without notice.

### BUNN-O-MATIC CORPORATION

POST OFFICE BOX 3227  
SPRINGFIELD, ILLINOIS 62708-3227  
PHONE: (217) 529-6601 FAX: (217) 529-6644

To ensure you have the latest revision of the Operating Manual, Illustrated Parts Catalog, Programming Manual, or Service Manual, please visit the Bunn-O-Matic website, at [www.bunn.com](http://www.bunn.com). This is absolutely FREE, and the quickest way to obtain the latest catalog and manual updates. For Technical Service, contact Bunn-O-Matic Corporation at 1-800-286-6070.



## BUNN-O-MATIC COMMERCIAL PRODUCT WARRANTY

Bunn-O-Matic Corp. ("BUNN") warrants equipment manufactured by it as follows:

- 1) Airpots, thermal carafes, decanters, GPR servers, iced tea/coffee dispensers, MCR/MCP/MCA single cup brewers, thermal servers and ThermoFresh® servers (mechanical and digital) 1 year parts and 1 year labor.
- 2) All other equipment - 2 years parts and 1 year labor plus added warranties as specified below:
  - a) Electronic circuit and/or control boards - parts and labor for 3 years.
  - b) Compressors on refrigeration equipment - 5 years parts and 1 year labor.
  - c) Grinding burrs on coffee grinding equipment to grind coffee to meet original factory screen sieve analysis - parts and labor for 4 years or 40,000 pounds of coffee, whichever comes first.

These warranty periods run from the date of installation BUNN warrants that the equipment manufactured by it will be commercially free of defects in material and workmanship existing at the time of manufacture and appearing within the applicable warranty period. This warranty does not apply to any equipment, component or part that was not manufactured by BUNN or that, in BUNN's judgment, has been affected by misuse, neglect, alteration, improper installation or operation, improper maintenance or repair, non periodic cleaning and descaling, equipment failures related to poor water quality, damage or casualty. In addition, the warranty does not apply to replacement of items subject to normal use including but not limited to user replaceable parts such as seals and gaskets. This warranty is conditioned on the Buyer 1) giving BUNN prompt notice of any claim to be made under this warranty by telephone at (217) 529-6601 or by writing to Post Office Box 3227, Springfield, Illinois 62708-3227; 2) if requested by BUNN, shipping the defective equipment prepaid to an authorized BUNN service location; and 3) receiving prior authorization from BUNN that the defective equipment is under warranty.

**THE FOREGOING WARRANTY IS EXCLUSIVE AND IS IN LIEU OF ANY OTHER WARRANTY, WRITTEN OR ORAL, EXPRESS OR IMPLIED, INCLUDING, BUT NOT LIMITED TO, ANY IMPLIED WARRANTY OF EITHER MERCHANTABILITY OR FITNESS FOR A PARTICULAR PURPOSE.** The agents, dealers or employees of BUNN are not authorized to make modifications to this warranty or to make additional warranties that are binding on BUNN. Accordingly, statements by such individuals, whether oral or written, do not constitute warranties and should not be relied upon.

If BUNN determines in its sole discretion that the equipment does not conform to the warranty, BUNN, at its exclusive option while the equipment is under warranty, shall either 1) provide at no charge replacement parts and/or labor (during the applicable parts and labor warranty periods specified above) to repair the defective components, provided that this repair is done by a BUNN Authorized Service Representative; or 2) shall replace the equipment or refund the purchase price for the equipment.

**THE BUYER'S REMEDY AGAINST BUNN FOR THE BREACH OF ANY OBLIGATION ARISING OUT OF THE SALE OF THIS EQUIPMENT, WHETHER DERIVED FROM WARRANTY OR OTHERWISE, SHALL BE LIMITED, AT BUNN'S SOLE OPTION AS SPECIFIED HEREIN, TO REPAIR, REPLACEMENT OR REFUND.**

In no event shall BUNN be liable for any other damage or loss, including, but not limited to, lost profits, lost sales, loss of use of equipment, claims of Buyer's customers, cost of capital, cost of down time, cost of substitute equipment, facilities or services, or any other special, incidental or consequential damages.

392, A Partner You Can Count On, Air Infusion, AutoPOD, AXIOM, BrewLOGIC, BrewMETER, Brew Better Not Bitter, BrewWISE, BrewWIZARD, BUNN Espresso, BUNN Family Gourmet, BUNN Gourmet, BUNN Pour-O-Matic, BUNN, BUNN with the stylized red line, BUNNlink, Bunn-O-Matic, Bunn-O-Matic, BUNNserve, BUNNSERVE with the stylized wrench design, Cool Froth, DBC, Dr. Brew stylized Dr. design, Dual, Easy Pour, EasyClear, EasyGard, FlavorGard, Gourmet Ice, Gourmet Juice, High Intensity, iMIX, Infusion Series, Intellisteam, My Café, Phase Brew, PowerLogic, Quality Beverage Equipment Worldwide, Respect Earth, Respect Earth with the stylized leaf and coffee cherry design, Safety-Fresh, savemycoffee.com, Scale-Pro, Silver Series, Single, Smart Funnel, Smart Hopper, SmartWAVE, Soft Heat, SplashGard, The Mark of Quality in Beverage Equipment Worldwide, ThermoFresh, Titan, trifacta, TRIFECTA (stylized logo), Velocity Brew, Air Brew, Beverage Bar Creator, Beverage Profit Calculator, Brew better, not bitter., Build-A-Drink, BUNNSource, Coffee At Its Best, Cyclonic Heating System, Daypart, Digital Brewer Control, Element, Milk Texturing Fusion, Nothing Brews Like a BUNN, Picture Prompted Cleaning, Pouring Profits, Signature Series, Sure Tamp, Tea At Its Best, The Horizontal Red Line, Ultra are either trademarks or registered trademarks of Bunn-O-Matic Corporation. The commercial trifacta® brewer housing configuration is a trademark of Bunn-O-Matic Corporation.

# TABLE OF CONTENTS

COVERS AND PANELS.....4

DRIP TRAY AND BIN.....6

EJECTOR ASSEMBLY.....8

TANK (EARLY MODELS) ..... 12

TANK (LATE MODELS)..... 14

PLUMBING.....16

ELECTRICAL COMPONENTS.....18

NUMERICAL INDEX ..... 20

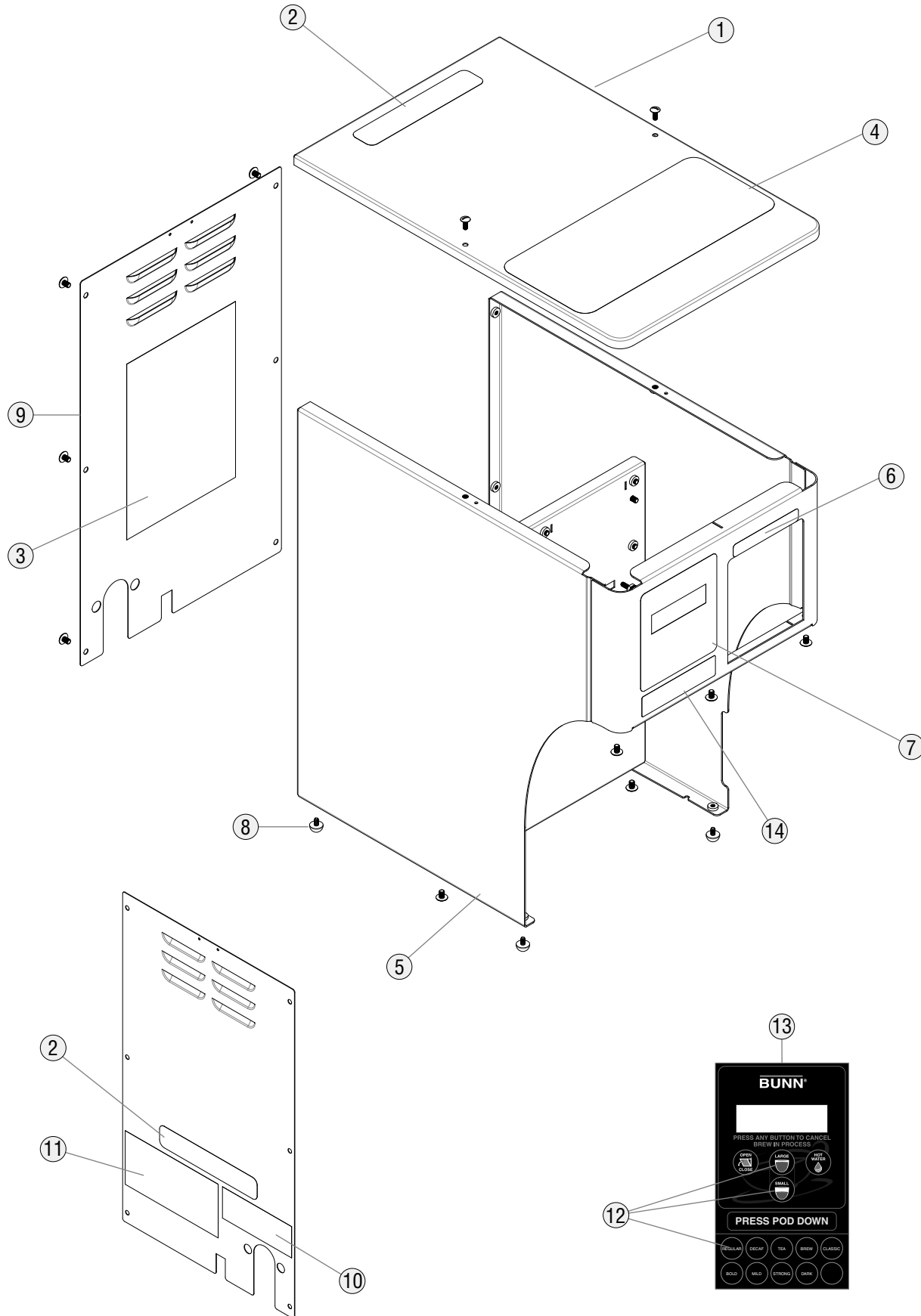
**To order coffee filters, water filters, or other accessories, refer to Specification Sheets at [www.bunn.com](http://www.bunn.com)**

Fraction	Decimal	Fraction	Decimal
<b>1/16</b>	0.063	<b>9/16</b>	0.563
<b>1/8</b>	0.125	<b>5/8</b>	0.625
<b>3/16</b>	0.188	<b>11/16</b>	0.688
<b>1/4</b>	0.250	<b>3/4</b>	0.750
<b>5/16</b>	0.313	<b>13/16</b>	0.813
<b>3/8</b>	0.375	<b>7/8</b>	0.875
<b>7/16</b>	0.438	<b>15/16</b>	0.938
<b>1/2</b>	0.500	<b>1</b>	1.000



# COVERS AND PANELS

My Café® AP



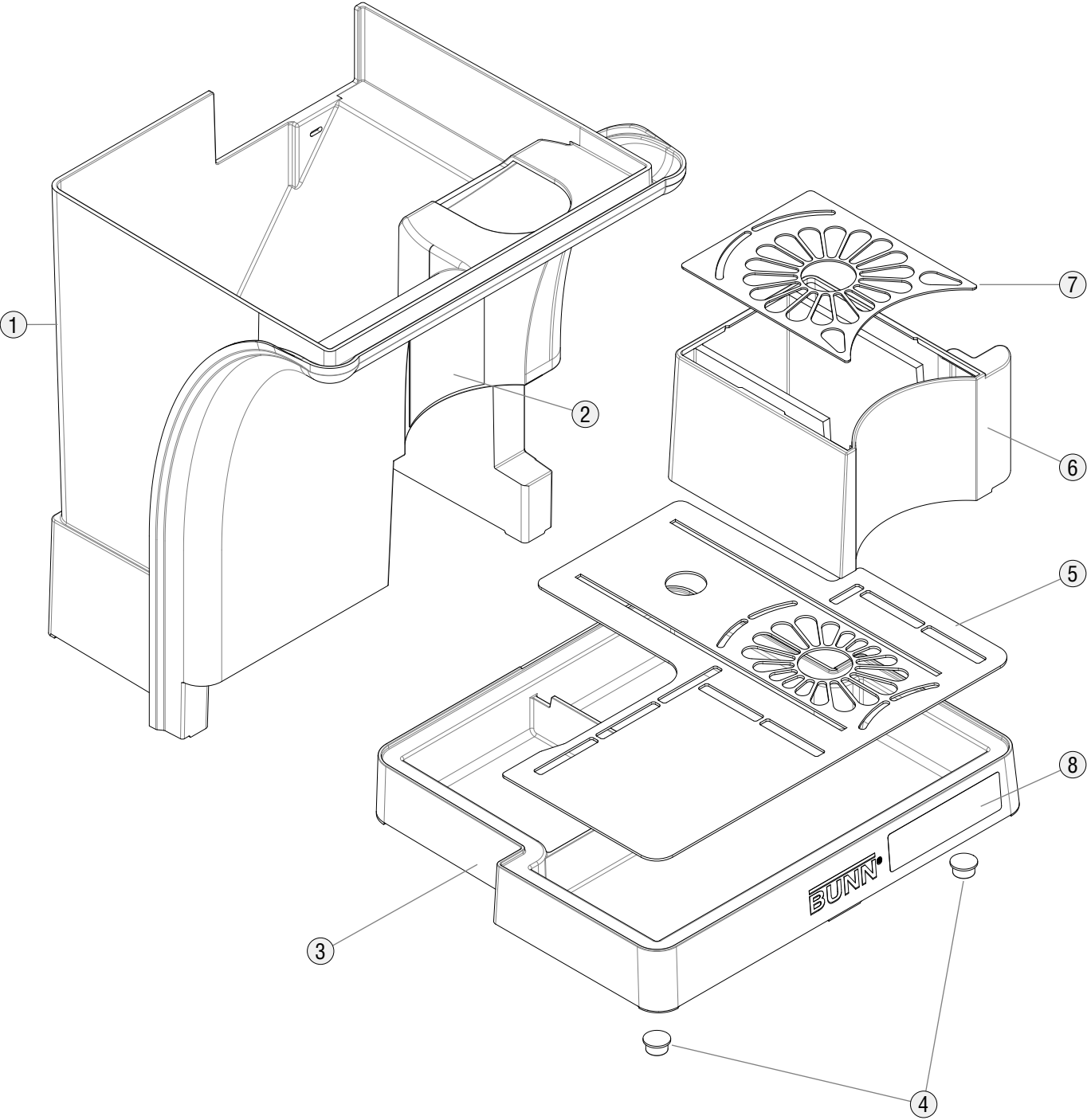
## COVERS AND PANELS

ITEM	PART NO.	QTY.	DESCRIPTION
1	43427.1001	1	Cover, Top (Includes Item # 2)
	01382.0002	2	Screw,Trh Sst Blk Oxd 6-32x.38
2	37881.7002	2	Decal, No User Serviceable Parts
3	41164.1002	1	Schematic 120v
4	41176.0000	1	Decal, Removable, 5-Step (Optional)
5	43418.1000	1	Housing (Includes # 6, 14)
	01382.0000	5	Screw, Trh Sltd Sst 6-32x.38
6		1	Decal, Press Pod Down (Not Available Order # 13)
7		1	Decal, Switch (Not Available Order # 13)
8	47979.0002	4	Bumper
9	43540.1001	1	Cover, Back (Includes Item # 2,10,11)
	01308.0000	6	Screw, Trh Sltd Sst 6-32x.38
10	00656.0001	1	Decal, Comply To Plumbing Code
11	00986.7000	1	Decal, Warning Electrical
12		1	Decals, Flavor Labels (Not Available Order # 13)
13	41145.0000	1	Decal Sheet, Switch/Flavor Labels
14	41177.7000	1	Decal, Warning-Pinch (French)



# DRIP TRAY AND BIN

My Café® AP



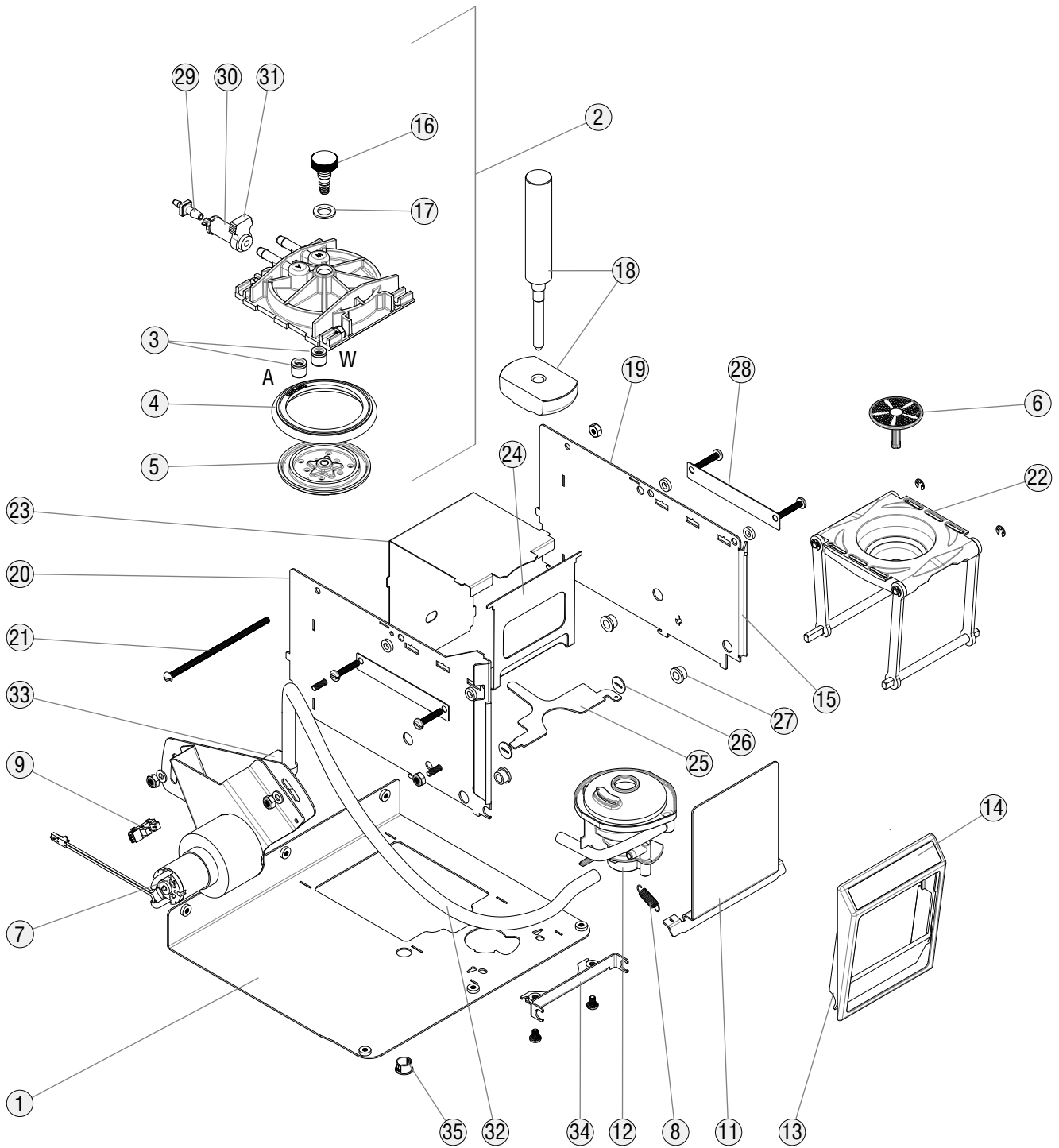
## DRIP TRAY AND BIN

ITEM	PART NO.	QTY.	DESCRIPTION
1	41156.1001	1	Bin Assembly (Includes Item # 2)
2	39474.0001	1	Decal, Cup Placement
3	41166.1000	1	Drip Tray Assy, With Feet (Includes Item # 4)
4	34466.0000	2	Foot, Rubber
5	40597.0002	1	Grate, Drip Tray
6	40595.0001	1	Booster
7	40646.0002	1	Grate, Booster
8	44169.1000	1	Decal, My Café



# EJECTOR ASSEMBLY

My Café® AP



## EJECTOR ASSEMBLY

ITEM	PART NO.	QTY.	DESCRIPTION
1	43851.1000*	1	Floor Weldment (w/o Hinge Bracket) (No longer available)
	43851.1001	1	Floor Weldment (w/Hinge Bracket) Not Interchangeable
	01308.0000	6	Screw, Trh Sltd Sst 6-32x.25
2	43619.1000	1	Sprayhead Assy. (Includes # 3 - 5, 16, 17)
	00908.0000	4	Nut, Hex Sst 8-32
3	36379.1001	1	Check Valve, Air (White)
	36379.1002	1	Check Valve, Water (Black)
4	42310.0000	1	Seal, Sprayhead
5	36384.1001	1	Sprayhead
6	40806.1000	1	Pod Screen Assy
7	43802.1000	1	Gearmotor Assembly ( <b>NOT for use in AutoPOD</b> )
	01522.0001	2	Washer
	00991.0006	2	Nut
8	41038.1000	2	Spring
9	40601.0001	1	Photointerruptor
10		1	Decal, Press Pod Down (Not Available, Order <a href="#">41145.0000</a> )
11	40585.1002	1	Door
12	42476.1000	1	Kit, Stream Guide
	41113.0001*	1	Tubing, .188" x 4.0" (Not Available, Order # 36)
13	42525.1000	1	Kit, Bezel (Includes Decal)
14	41177.0001	1	Decal, Warning-Pinch/Hot Liquid
15	28366.0004*	2	Gasket 3.5" Lg. (Not Available, Order # 36)
16	43550.1000	1	Kit, Sprayhead Screw .25-20 UNC (Includes o-rings)
17	44167.1000	1	Kit, Washer/O-Ring (Includes o-rings for item 16)
18	43891.1000	1	Kit, Alignment w/Instructions
19	43848.1000*	1	Kit, Right Side Panel (w/o Hinge Bracket) (No longer available)
	43848.1002	1	Kit, Right Side Panel (w/Hinge Bracket) Not Interchangeable
20	43849.1000*	1	Kit, Left Side Panel (w/o Hinge Bracket) (No longer available)
	43849.1001	1	Kit, Left Side Panel (w/Hinge Bracket) Not Interchangeable
21	01371.0000	1	Screw, RDH SLTD SST 8-32x4.0
	00991.0006	1	Nut
22	41141.1001	1	Pod Holder Assy, w/Linkage
	01403.0000	4	E-Ring, Ext.
23	40583.1003	1	Cover, Back-Ejector Assy.
24	40582.1001	1	Wiper
25	41046.1002	1	Lifter
26	41107.1001	2	Washer
27	40821.1000	4	Bearing

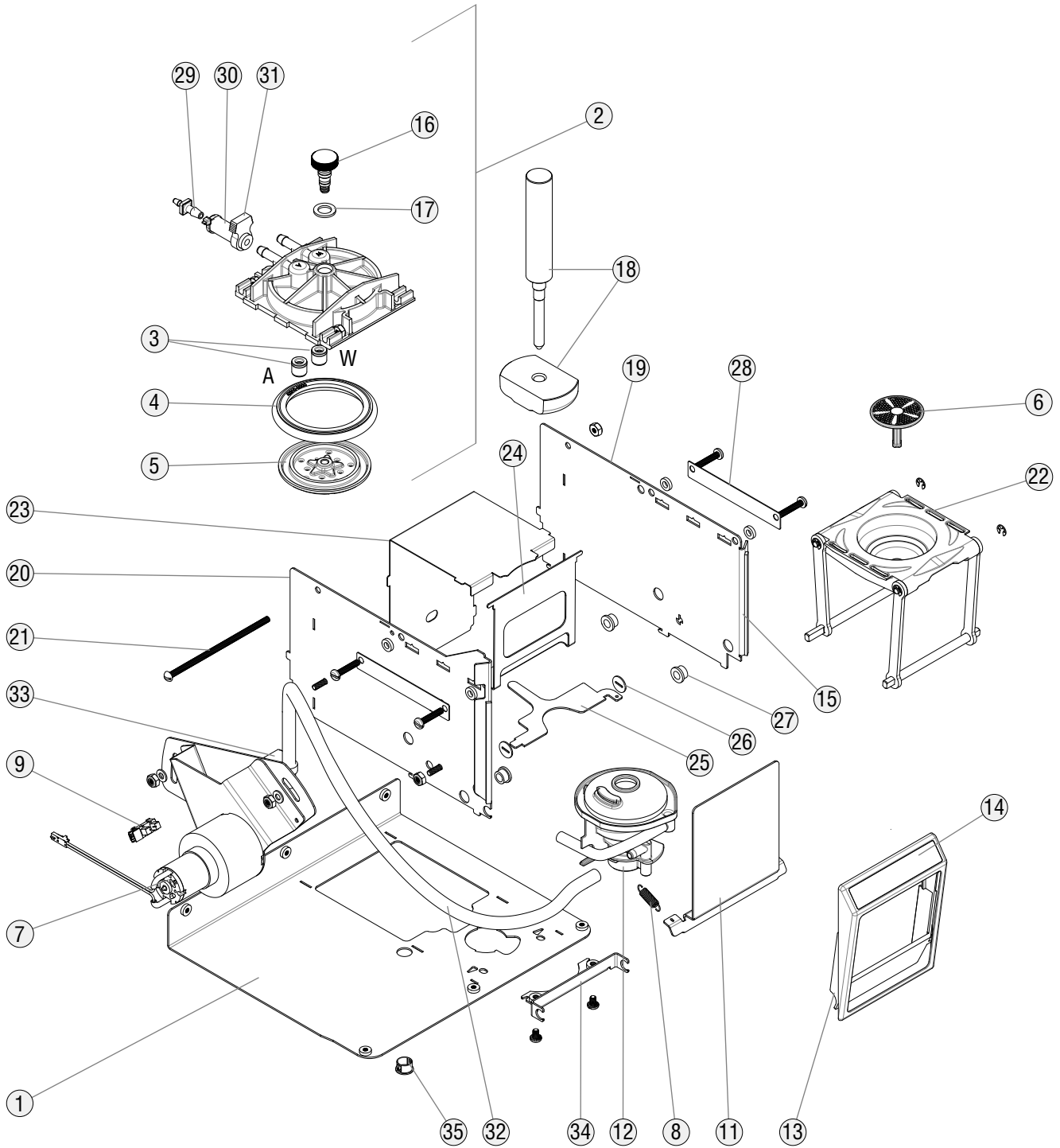
**CONTINUED**

\* Indicates the part number listed is for reference only. See DESCRIPTION for possible service replacement.



# EJECTOR ASSEMBLY

My Café® AP



## EJECTOR ASSEMBLY

ITEM	PART NO.	QTY.	DESCRIPTION
28	41053.1000	2	Deflector
	01370.0002	4	Screw, Pnh Sltd Sst 8-32x.88
	20616.0000	4	Washer, Nyl-.194 Idx.093 thk
29	43803.0001	1	Connector, Barbed
30		1	Tube, Sil Bd Pt .188ID 1.4 LG (N/A Order Item # 38)
31	12422.0000	1	Clamp, Snp-6
32		1	Tube, Sil Pt .188ld X 17.0Lg (N/A Order Item # 39)
33	12422.0003	1	Clamp, Snp-2
34	44789.1000	1	Bracket, Door Hinge (Later Models)
	45303.1000	2	SCREW, PNH SLTD W/SERR 8-32x.25 LKG
35	00669.0003	1	Plug, Hole-Nyl Blk .43 Hole Dia

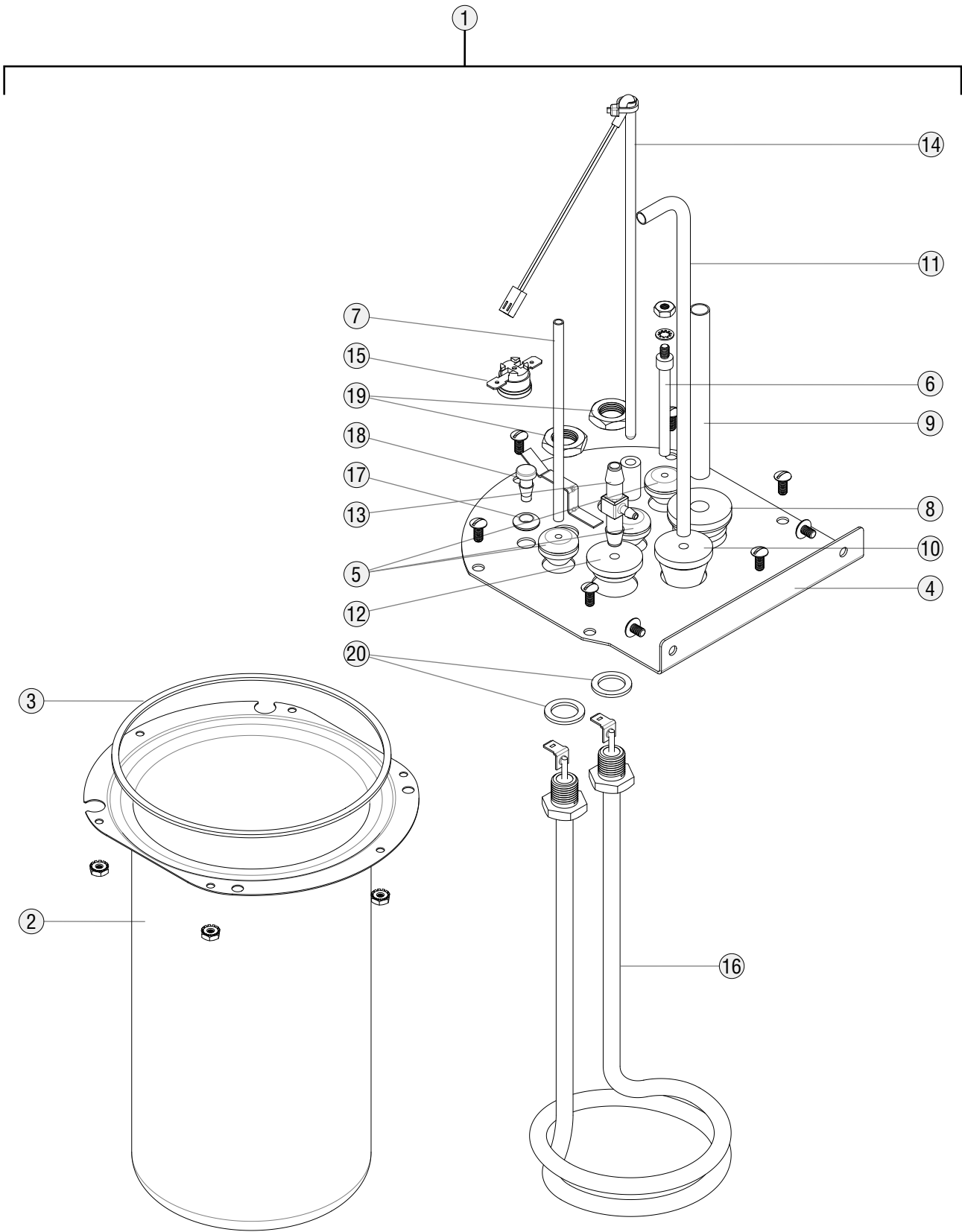
**The Following Items Are Not Illustrated**

36	41113.1000	-	Tubing, .188" ID x .313" OD x 1 Foot
	41113.1001	-	Tubing, .188" ID x .313" OD x 3 Feet
	41113.1002	-	Tubing, .188" ID x .313" OD x 10 Feet
37	28366.1000	-	Gasket 1 Foot
	28366.1001	-	Gasket 3 Feet
	28366.1002	-	Gasket 10 Feet
38	36629.1000	-	Tubing, Braided .188" ID x .462" OD x 1 Foot
	36629.1001	-	Tubing, Braided .188" ID x .462" OD x 3 Feet
	36629.1002	-	Tubing, Braided .188" ID x .462" OD x 10 Feet
39	36631.1000	-	Tubing, .188" ID x .375" OD x 1 Foot
	36631.1001	-	Tubing, .188" ID x .375" OD x 3 Feet
	36631.1002	-	Tubing, .188" ID x .375" OD x 10 Feet
40	40603.1005	1	Ejector Assy (Includes Items 1 - 31) (w/Hinge Bracket)



# TANK ASSEMBLY - EARLY MODELS

My Café® AP



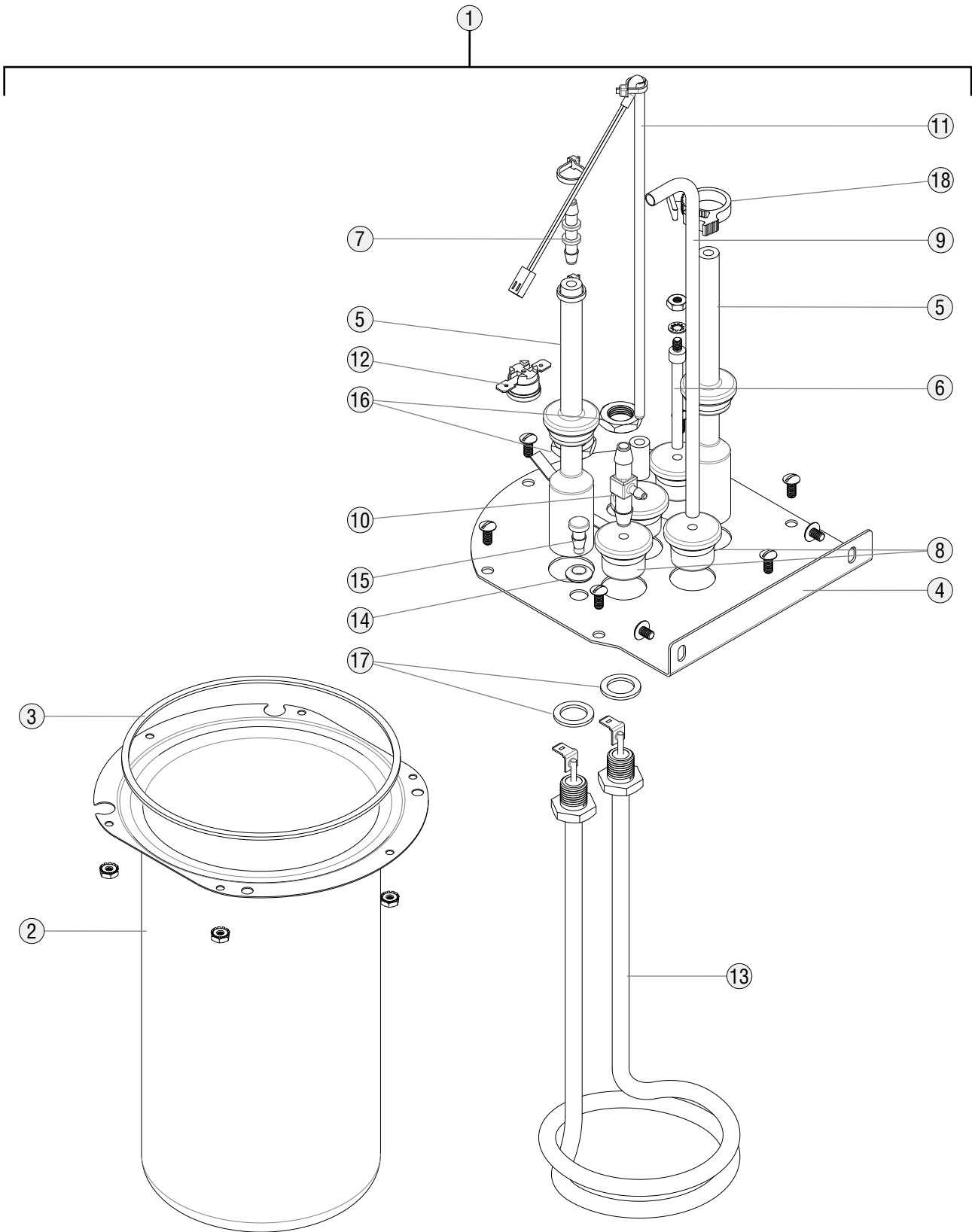
## TANK ASSEMBLY - EARLY MODELS

ITEM	PART NO.	QTY.	DESCRIPTION
1	43652.1000	1	Tank Assy.
2	35430.0000	1	Tank
	00973.0000	6	Nut, Keps 6-32
3	04844.0000	1	Gasket
4	43434.1000	1	Tank Lid
	01382.0000	6	Screw, Trh Sltd Sst 6-32X.38
	01308.0000	2	Screw, Trh Sltd Sst 6-32X.25
5	33201.0000	3	Grommet
6	43468.1000	1	Level Probe (Includes Lock Washer & Nut)
	20203.0100	1	Lock Washer, Intl Tooth-Sst #8
	00908.0000	1	Nut, Hex Sst 8-32
7	41101.0000	1	Tube, SST
8	43103.1000	1	Grommet
9	43650.1000*	1	Kit, Brew Tube (Obs. Order 44304.1000)
10	33801.0001	1	Grommet
11	43908.1000	1	Kit, Tank Fill Tube
12	12570.0000	1	Grommet
13	42781.1000	1	Tee, .25 x .25 x .125 Kynar
14	28891.1010	2	Temp Probe Kit
	01533.0010	1	Spacer
15	29329.1000	1	Limit Thermostat Kit
16	43649.1000	1	Kit, Tank Heater 1425W 120V
17	12928.0000	1	Grommet
18	42806.1000	1	Plug
19	00942.0000	2	Nut, Hex Brass .500-20
20	00943.0000	2	Gasket, Tank Heater



# TANK ASSEMBLY - LATE MODELS

My Café® AP



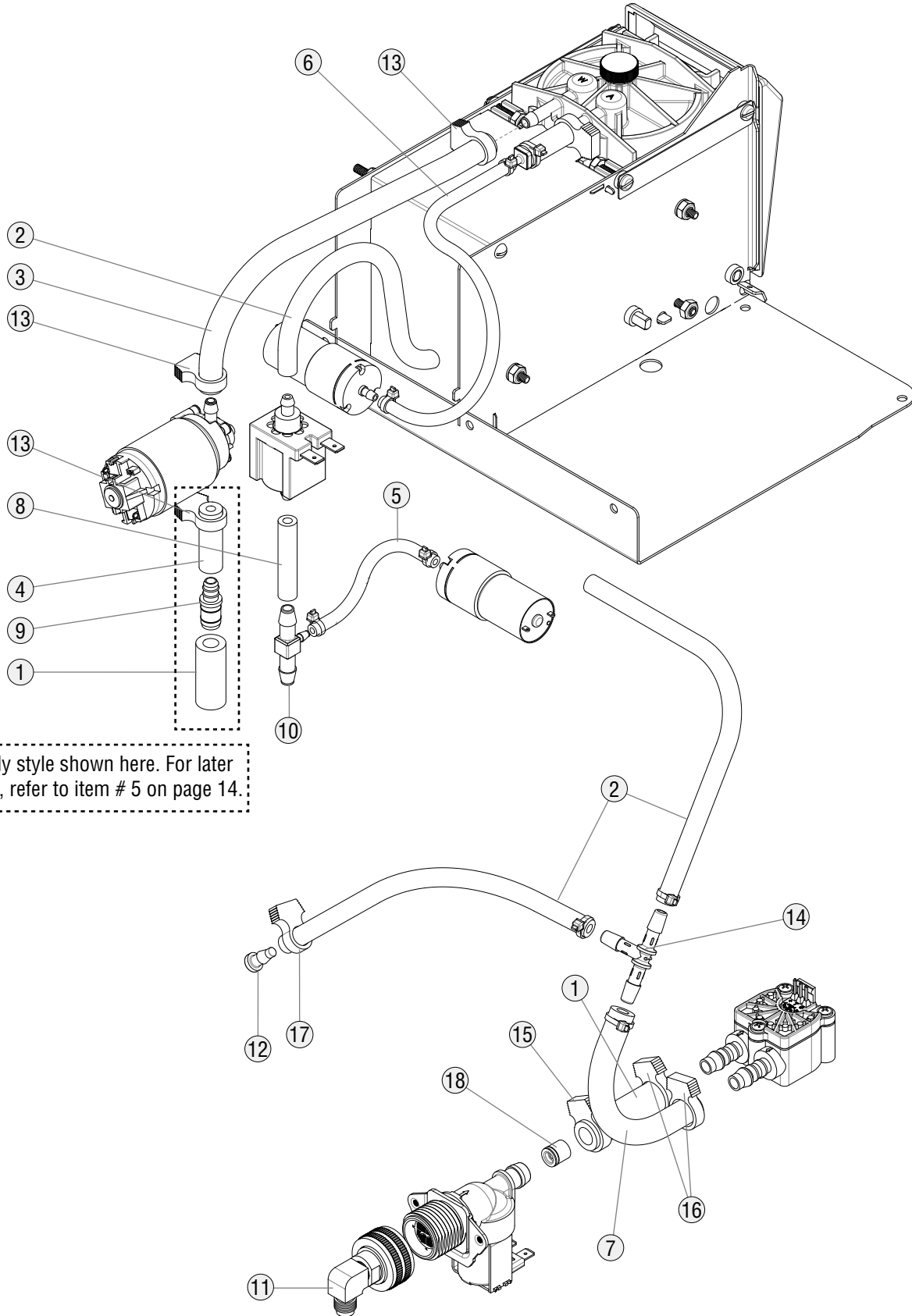
## TANK ASSEMBLY - LATE MODELS

ITEM	PART NO.	QTY.	DESCRIPTION
1	43652.1001	1	Tank Assy.
2	35430.0000	1	Tank
	00973.0000	6	Nut, Keps 6-32
3	04844.0000	1	Gasket
4	43434.1001	1	Tank Lid
	01382.0000	6	Screw, Trh Sltd Sst 6-32X.38
	01308.0000	2	Screw, Trh Sltd Sst 6-32X.25
5	44304.1000	2	Tube, Hot Water Pickup
6	43468.1000	1	Level Probe
	20203.0100	1	Lock Washer, Intl Tooth-Sst #8
	00908.0000	1	Nut, Hex Sst 8-32
7	45515.1000	1	Kit, Kynar Union Connector .188X.188
8	33801.0003	4	Grommet
9	43908.1000	1	Kit, Tank Fill Tube
10	42781.1000	1	Tee, .25 x .25 x .125 Kynar
11	28891.1010	2	Temp Probe Kit
	01533.0010	1	Spacer
12	29329.1000	1	Limit Thermostat Kit
13	43649.1000	1	Kit, Tank Heater 1425W 120V
14	12928.0000	1	Grommet
15	42806.1000	1	Plug
16	00942.0000	2	Nut, Hex Brass .500-20
17	00943.0000	2	Gasket, Tank Heater
18	12422.0011	1	Clamp, SNP-4



# PLUMBING

My Café® AP



Early style shown here. For later style, refer to item # 5 on page 14.

## PLUMBING

ITEM	PART NO.	QTY.	DESCRIPTION
1		2	Tube, Braided .312Id x 1.5Lg (N/A Order Item # 23) (Not used on latest style tank)
2		3	Tube, Sil Bd Pt .250Id x 7.7 Lg (N/A Order Item # 21)
3		1	Tube, Sil Bd Pt .188Id x 9.2 Lg (N/A Order Item # 20)
4		1	Tube, Sil Bd Pt .188Id x 1.4 Lg (N/A Order Item # 20) (Not used on latest style tank)
5		1	Tube, Sil Pt .125Id x 4.0 Lg (N/A Order Item # 22)
6		1	Tube, Sil Pt .125Id x 8.5 Lg (N/A Order Item # 22)
7		1	Tube, Silicone .25Id x 5.0Lg (N/A Order Item # 19)
8		1	Tube, Sil Pt .188Id x 1.8Lg (N/A Order Item # 21)
9	27170.1001	1	Reducer, Barb.25 x .38 Brs Tnpl (Not used on latest style tank)
10	42781.1000	1	Tee, .25 x .25 x .125 Kynar
11	37297.0006	1	Elbow, .25 Flr x .75 Hose Thd
12	42806.0000	1	Plug, Barbed .188 pp
13	12422.0000	3	Clamp, Snp-6 (NOTE: One less used on new style)
14	42775.1000	1	Tee, .25 x .25 x .25 Kynar
15	12422.0005	4	Clamp, Snp-12
16	12422.0006	6	Clamp, Snp-8
17	12422.0011	4	Clamp, Snp-4
18	36378.0001	1	Check Valve

**NOTE:** Zip ties not available, purchase locally.

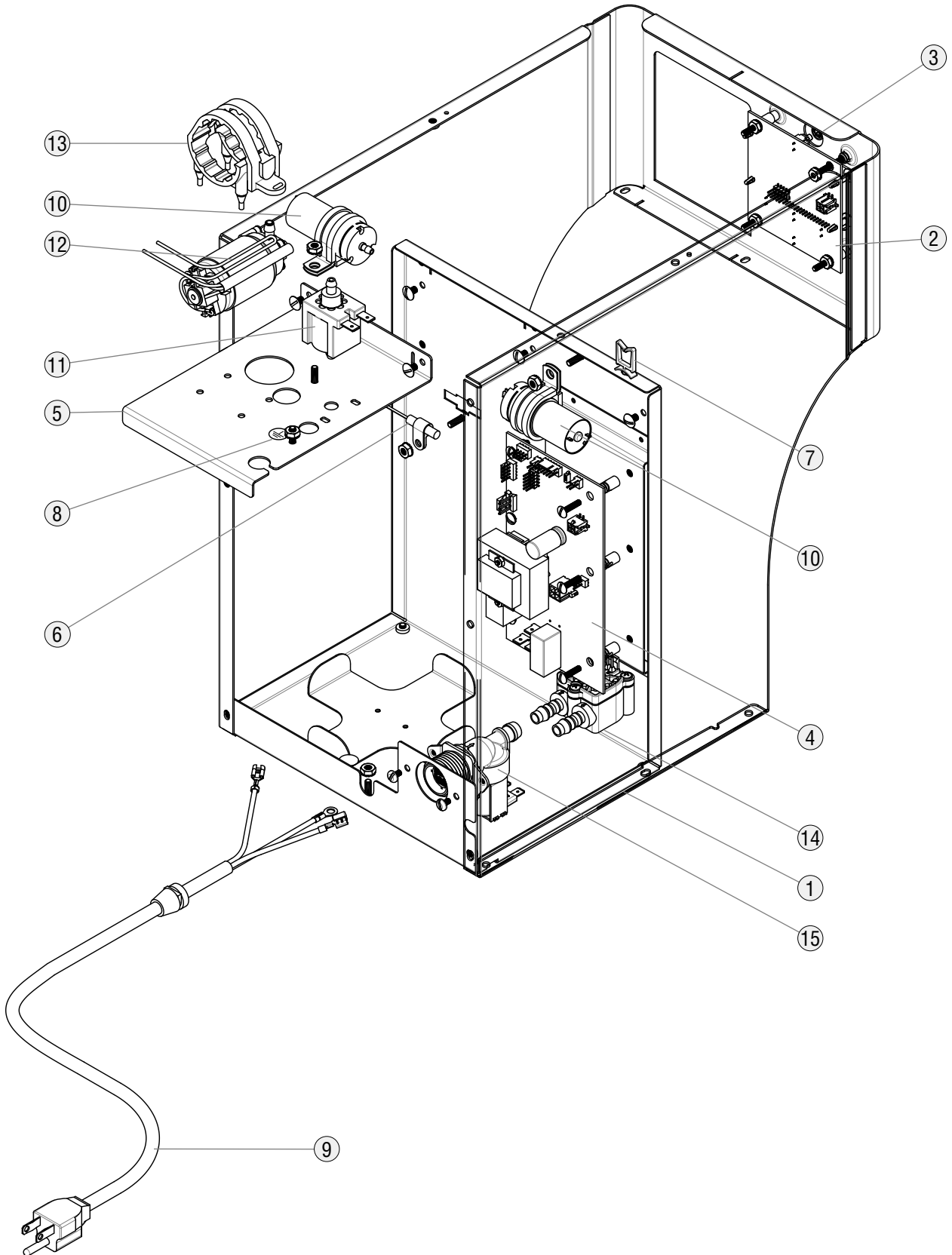
### The Following Items Are Not Illustrated

19	11707.1000	-	Tubing .250" I.D. x .5" OD x 1 Foot
	11707.1001	-	Tubing .250" I.D. x .5" OD x 3 Feet
	11707.1002	-	Tubing .250" I.D. x .5" OD x 10 Feet
20	36629.1000	-	Tubing, Braided .188" ID x .462" OD x 1 Foot
	36629.1001	-	Tubing, Braided .188" ID x .462" OD x 3 Feet
	36629.1002	-	Tubing, Braided .188" ID x .462" OD x 10 Feet
21	42916.1000	-	Tubing, .125" ID x .25" OD x 1 Foot
	42916.1001	-	Tubing, .125" ID x .25" OD x 3 Feet
	42916.1002	-	Tubing, .125" ID x .25" OD x 10 Feet
	42916.1004	-	Tubing, .125" ID x .25" OD x 250 Feet
22	42918.1000	-	Tubing, .188" ID x .375" OD x 1 Foot
	42918.1001	-	Tubing, .188" ID x .375" OD x 3 Feet
	42918.1002	-	Tubing, .188" ID x .375" OD x 10 Feet
	42918.1004	-	Tubing, .125" ID x .25" OD x 250 Feet
23	41115.1000	-	Tube, Braided .312Id x .592" OD x 1 Foot
	41115.1001	-	Tube, Braided .312Id x .592" OD x 3 Feet
	41115.1002	-	Tube, Braided .312Id x .592" OD x 10 Feet
	41115.1004	-	Tube, Braided .312Id x .592" OD x 250 Feet



# ELECTRICAL COMPONENTS

My Café® AP



## ELECTRICAL COMPONENTS

ITEM	PART NO.	QTY.	DESCRIPTION
1	43412.1001 01308.0000	1 3	Kit, Panel Wldmt Component Mtg Screw, Trh Sltd Sst 6-32X.25
2	40151.1000 29081.0001 01533.0004 00973.0000	1 4 4 4	CBA Display Assy. RoHS (Includes Spacers and Nuts) Spacer, #8x.375 Spacer, Nyl-.14ld X.25 Odx.19L Nut, Keps 6-32 Zinc Plate
3	41131.1000	5	Kit, Tactile Switch Key Top
4	43666.1000 43666.1001 02367.0000 29081.0001	1 1 6 6	Cba, Main 120V RoHS (Includes Spacers and Screws) Cba, Main 230V RoHS (Includes Spacers and Screws) Screw, Trh Sltd Sst 6-32x.625 Spacer, #8x.375
5	43476.1000 01308.0000	1 2	Kit, Bracket Screw, Trh Sltd Sst 6-32X.25
6	36390.0000* 05920.0000 00970.0000	1 1 1	Reed Switch (Not Available, Order Harness <a href="#">43478.0004</a> ) Clamp, Cable Nut, Keps #8-32 Zinc Pl
7	40934.0000	1	Saddle, Wire
8	00824.0002 00970.0000	2 2	Decal, Ground Nut, Keps #8-32
9	36381.0005	1	Power Cord, 120V
10	38316.1000 40935.0000 00970.0000	2 2 2	Pump Assy, Air With Leads Kit, Loop Clamp 1.00" w/Nut Nut, Keps #8-32 Zinc Pl
11	39984.1001	1	Valve, Vent W/Cable Ties
12	43879.1000 43879.1001 37841.1000	1 1 1	Kit, Brew Water Pump Assy. w/Tubes Kit, Replacement Pump w/Sprayhead Kit, Pump Seal Replacement
13	43925.1000	1	Kit, Water Pump Motor Saddle
14	40752.1001	1	Kit, Flow Meter 02.5Mm Orifice
15	40693.1006 32283.0000	1 2	Kit, 120V Inlet Valve Assy w/.195 Flow Control Screw, M4 x 6MM

**The Following Items Are Not Illustrated**

16	40357.0000	1	Wiring Harness, CBA to Flow Meter
17	43478.1001	1	Lead Assy, Blk Tank Heater to Limit
18	43478.0002	1	Wiring Harness, CBA to Display Module
19	43478.0003	1	Wiring Harness, CBA to Air Vent Solenoid
20	43478.0004	1	Wiring Harness, CBA to Bin Sensor/Level Probe
21	43478.0005	1	Wiring Harness, CBA to Motor Position Sensor
22	43478.0006	1	Wiring Harness, CBA to Index Motor/Pod Air Pump
23	43478.1007	1	Wiring Harness, CBA to Limit/Tank Heater
24	43478.1009	1	Wiring Harness, Hot Water Air Pump

\* Indicates the part number listed is for reference only. See DESCRIPTION for possible service replacement.

NUMERICAL INDEX

PART NO.	PAGE NO.	PART NO.	PAGE NO.	PART NO.	PAGE NO.	PART NO.	PAGE NO.
00656.0001	5	36390.0000	19	42775.1000	17	44789.1000	11
00669.0003	11	36629.1000	11,17	42781.1000	13,15,17	45303.1000	11
00824.0002	19	36629.1001	11,17	42806.0000	17	45515.1000	15
00908.0000	9,13,15	36629.1002	11,17	42806.1000	13,15	47979.0002	5
00942.0000	13,15	36631.1000	11	42916.1000	17		
00943.0000	13,15	36631.1001	11	42916.1001	17		
00970.0000	19	36631.1002	11	42916.1002	17		
00973.0000	13,15,19	37297.0006	17	42916.1004	17		
00986.7000	5	37841.1000	19	42918.1000	17		
00991.0006	9	37881.7002	5	42918.1001	17		
01308.0000	5,9	38316.1000	19	42918.1002	17		
01308.0000	13,15,19	39474.0001	7	42918.1004	17		
01370.0002	11	39984.1001	19	43103.1000	13		
01371.0000	9	40151.1000	19	43412.1001	19		
01382.0000	5,13,15	40357.0000	19	43418.1000	5		
01382.0002	5	40582.1001	9	43427.1001	5		
01403.0000	9	40583.1003	9	43434.1000	13		
01522.0001	9	40585.1002	9	43434.1001	15		
01533.0004	19	40595.0001	7	43468.1000	13,15		
01533.0010	13,15	40597.0002	7	43476.1000	19		
02367.0000	19	40601.0001	9	43478.0002	19		
04844.0000	13,15	40603.1005	11	43478.0003	19		
05920.0000	19	40646.0002	7	43478.0004	19		
11707.1000	17	40693.1006	19	43478.0005	19		
11707.1001	17	40752.1001	19	43478.0006	19		
11707.1002	17	40806.1000	9	43478.1001	19		
12422.0000	11,17	40821.1000	9	43478.1007	19		
12422.0003	11	40934.0000	19	43478.1009	19		
12422.0005	17	40935.0000	19	43540.1001	5		
12422.0006	17	41038.1000	9	43550.1000	9		
12422.0011	15,17	41046.1002	9	43619.1000	9		
12570.0000	13	41053.1000	11	43649.1000	13		
12928.0000	13,15	41101.0000	13	43649.1000	15		
20203.0100	13,15	41107.1001	9	43650.1000	13		
20616.0000	11	41113.0001	9	43652.1000	13		
27170.1001	17	41113.1000	11	43652.1001	15		
28366.0004	9	41113.1001	11	43666.1000	19		
28366.1000	11	41113.1002	11	43666.1001	19		
28366.1001	11	41115.1000	17	43802.1000	9		
28366.1002	11	41115.1001	17	43803.0001	11		
28891.1010	13,15	41115.1002	17	43848.1000	9		
29081.0001	19	41115.1004	17	43848.1002	9		
29329.1000	13,15	41131.1000	19	43849.1000	9		
32283.0000	19	41141.1001	9	43849.1001	9		
33201.0000	13	41145.0000	5	43851.1000	9		
33801.0001	13	41156.1001	7	43851.1001	9		
33801.0003	15	41164.1002	5	43879.1000	19		
34466.0000	7	41166.1000	7	43879.1001	19		
35430.0000	13,15	41176.0000	5	43891.1000	9		
36378.0001	17	41177.0001	9	43908.1000	13,15		
36379.1001	9	41177.7000	5	43925.1000	19		
36379.1002	9	42310.0000	9	44167.1000	9		
36381.0005	19	42476.1000	9	44169.1000	7		
36384.1001	9	42525.1000	9	44304.1000	15		

