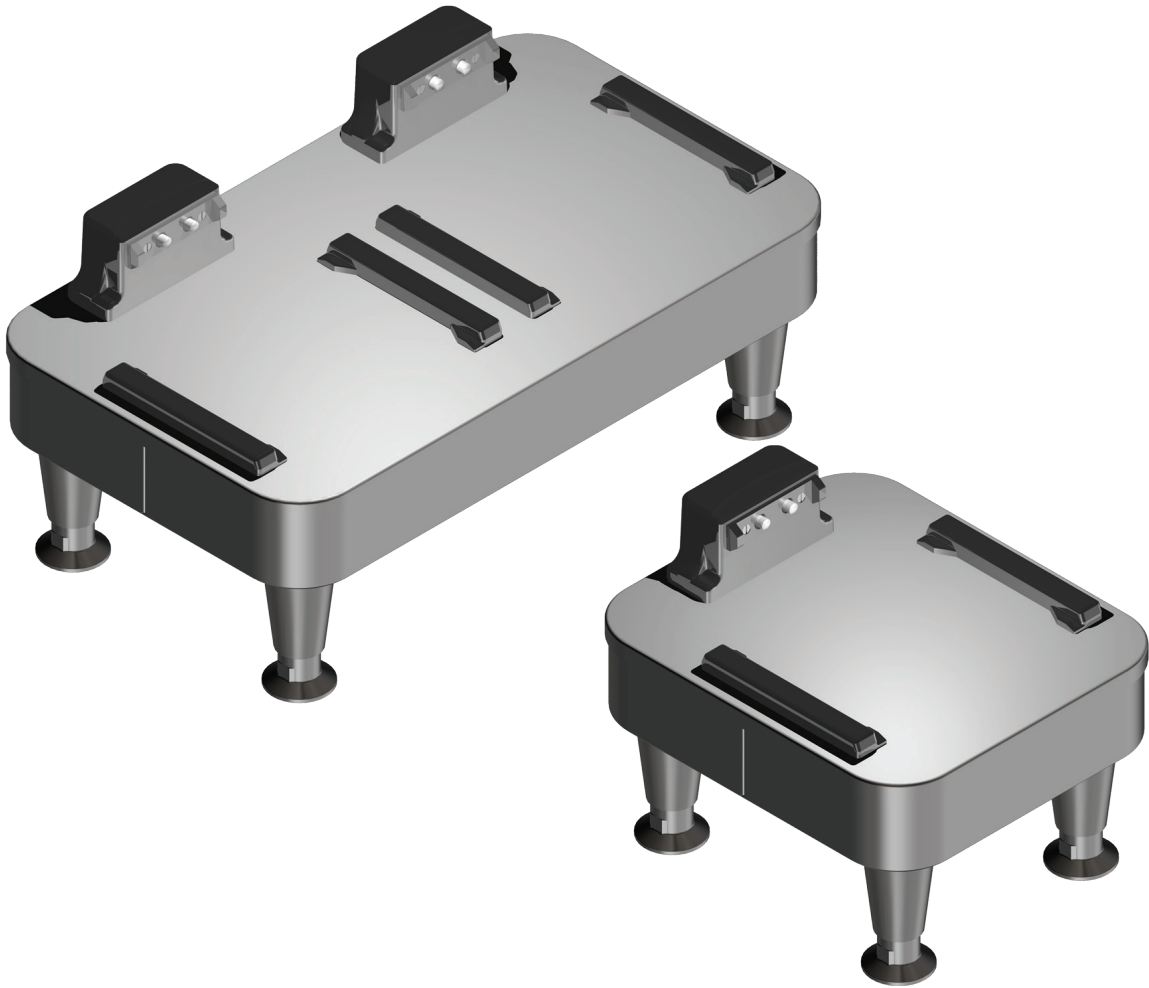


**1SH Stand, 2SH Stand**



## ILLUSTRATED PARTS CATALOG

Designs, materials, weights, specifications, and dimensions for equipment or replacement parts are subject to change without notice.

**Bunn-O-Matic Corporation**

Post Office Box 3227, Springfield, Illinois 62708-3227

Phone (217) 529-6601 | Fax (217) 529-6644

Technical Support Phone (800) 420-2866

## **BUNN-O-MATIC COMMERCIAL PRODUCT WARRANTY**

Warranty statements and information can be found on our website. Please visit <https://commercial.bunn.com/support/warranty-lookup> for further details.

# CONTENTS

Warranty.....	2
1 SH Server Stand .....	4
2 SH Server Stand .....	6
Numerical Index .....	8

## TIPS:

---



To **Search/Find** content in this document, use "**Ctrl+F**" (PC)

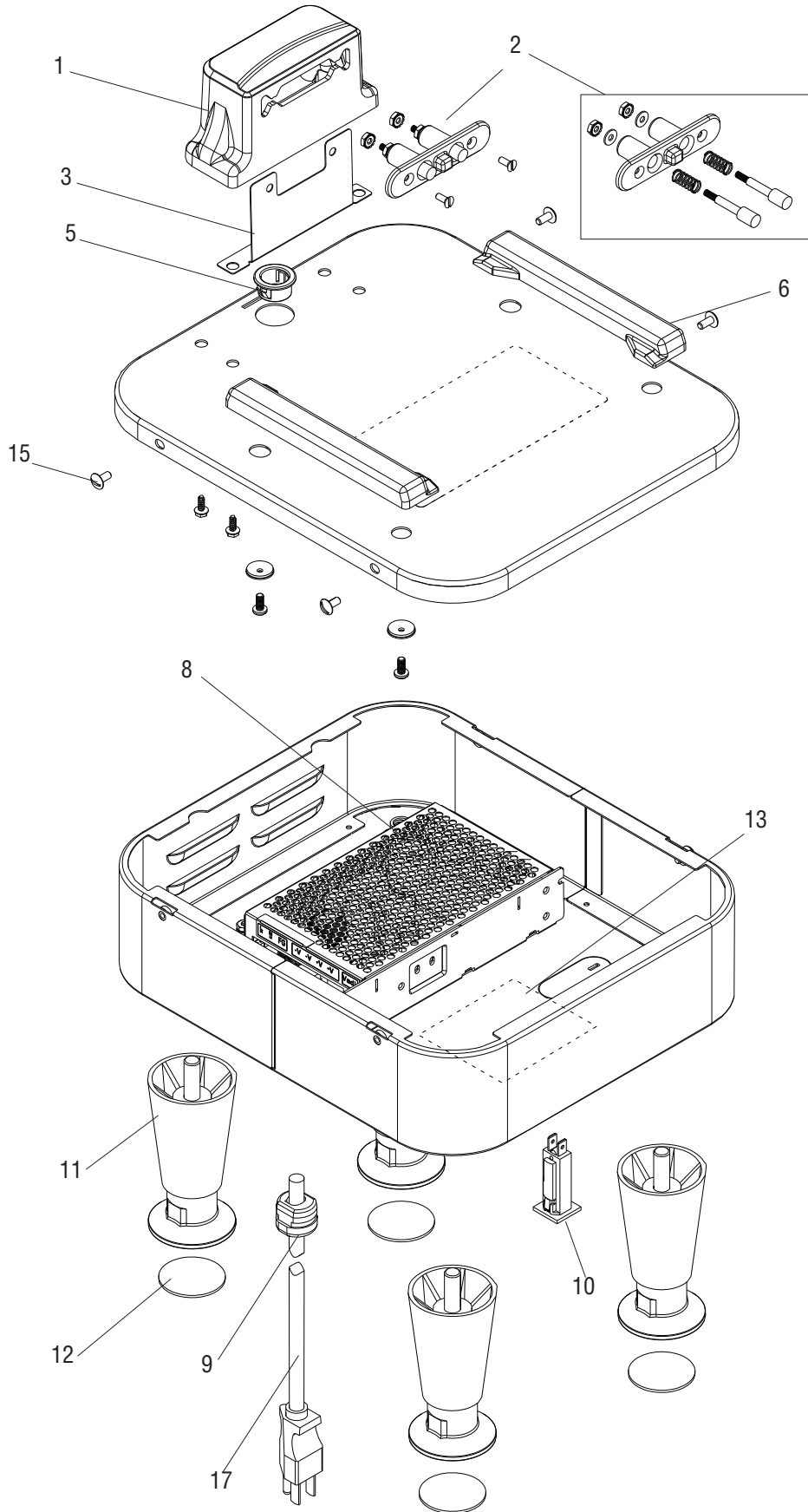


To **Search/Find** content in this document, use "**Command+F**" (Mac)



# 1 SH SERVER STAND COMPONENTS

1 SH  
2 SH



P4398.70

## 1 SH SERVER STAND COMPONENTS

ITEM	PART NO.	QTY.	DESCRIPTION
1	<a href="#">52019.0000</a>	1	Contact Box, Server Stand
2	<a href="#">53450.1000</a>	1	Receptacle Assy, Spring Contact
3	<a href="#">52018.0000</a>	1	Wldmt, Server Contact Riser
4			
5	<a href="#">01663.0000</a>	1	Bushing, Snap (.875" Dia. hole)
6	<a href="#">51506.0000</a>	2	Guide, Server Infusion 3.0
7			
8	<a href="#">33363.1052</a>	1	Kit, Power Supply, UL 1 SH (120V)
	<a href="#">33363.1053</a>	1	Kit, Power Supply, CE 1SH (220V-240V)
9	<a href="#">01686.0000</a>	1	Bushing, Strain Relief
10	<a href="#">27181.0001</a>	1	Circuit Breaker, Reset-4Amp (120V Stand Only)
11	<a href="#">40041.0000</a>	4	Leg
12	<a href="#">40042.0000</a>	4	Pad, Anti Skid
13	<a href="#">00986.0000</a>	1	Decal, Warning - Electrical
14			
15	<a href="#">53433.0000</a>	4	Screw, Hex #6-19X.375 LG-THD Forming
17	<a href="#">20630.0025</a>	1	Cord Assy, Power 18/3 5-15P SH Stand
	<a href="#">38074.0034</a>	1	Cord Assy, Power 16A/250V SH Stand

### Optional Accessories

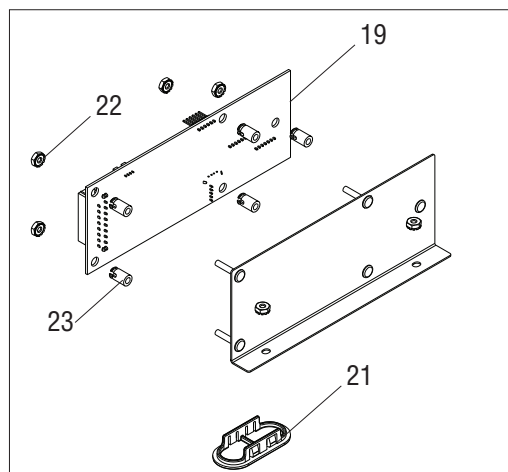
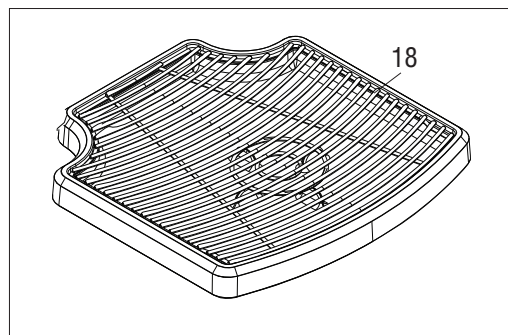
18	<a href="#">53452.0001</a>	1	Kit, Drip Tray Single Sh
----	----------------------------	---	--------------------------

BLE Communications Kit for 1-SH Stand [53872.0000](#)  
(includes items 19 thru 23)

19	<a href="#">53390.1002</a>	1	Circuit Board, BLE Comm
20			
21	<a href="#">53456.0000</a>	1	Plug, Base
22	<a href="#">00973.0000</a>	7	Nut, Keps 6-32
23	<a href="#">29081.0000</a>	5	Spacer, CBA Mounting

Note: The following part(s) are not illustrated

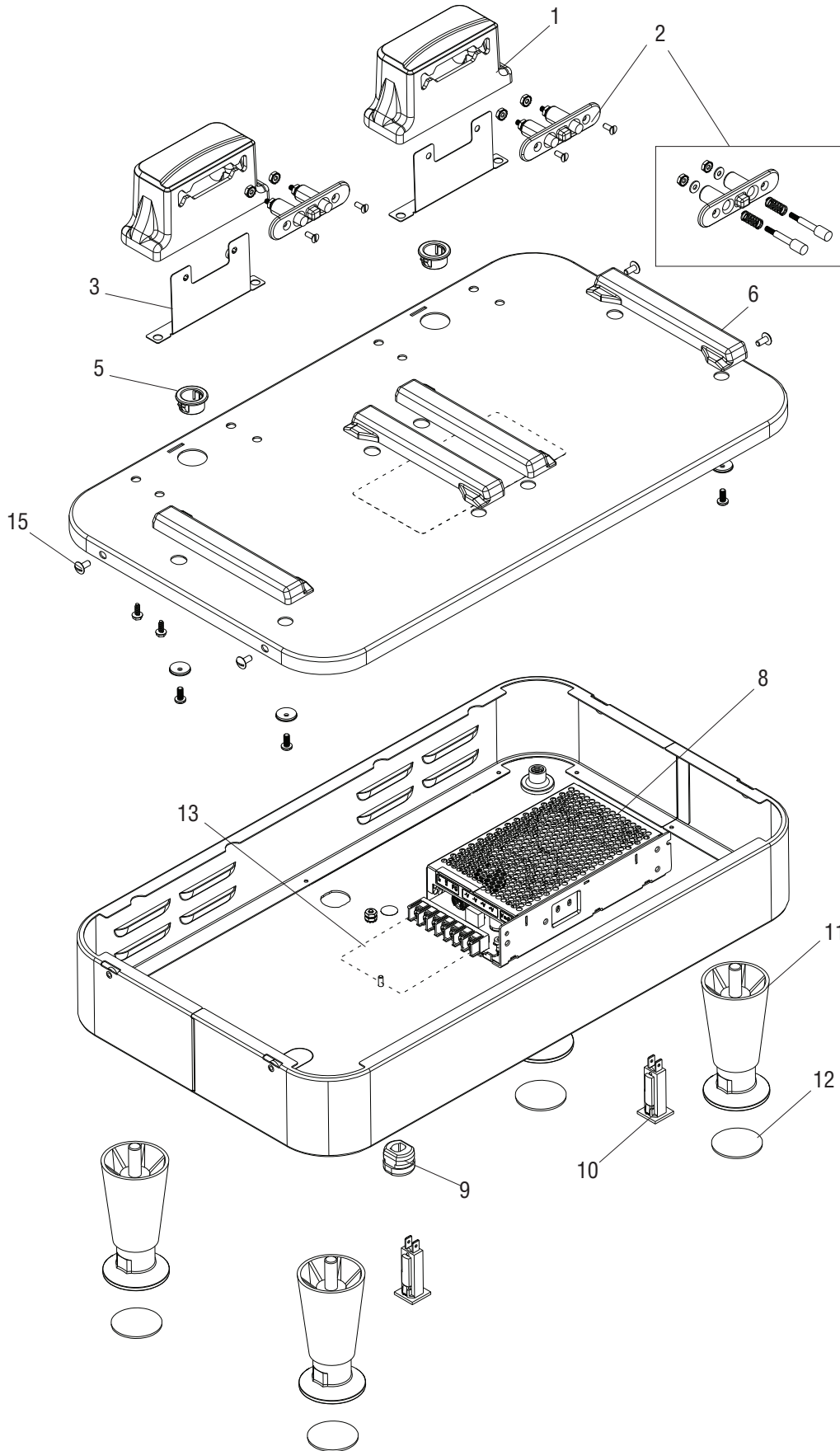
<a href="#">53284.0001</a>	1	Wiring Harness, Wireless Comm 1-SH Stand
----------------------------	---	---





## 2 SH SERVER STAND COMPONENTS

1 SH  
2 SH



P4399.70

## 2 SH SERVER STAND COMPONENTS

ITEM	PART NO.	QTY.	DESCRIPTION
1	<a href="#">52019.0000</a>	2	Contact Box, Server Stand
2	<a href="#">53450.1000</a>	2	Receptacle Assy, Spring Contact
3	<a href="#">52018.0000</a>	2	Wldmt, Server Contact Riser
4			
5	<a href="#">01663.0000</a>	2	Bushing, Snap (.875" Dia. hole)
6	<a href="#">51506.0000</a>	4	Guide
7			
8	<a href="#">33363.1050</a>	1	Kit, Power Supply, 24VDC 6.5A, UL 2 SH (120V)
	<a href="#">33363.1051</a>	1	Kit, Power Supply, 24VDC 6.3A 151W, CE 2 SH (220V-240V)
9	<a href="#">01686.0000</a>	1	Bushing, Strain Relief
10	<a href="#">27181.0001</a>	2	Circuit Breaker, Reset-4Amp
11	<a href="#">40041.0000</a>	4	Leg
12	<a href="#">40042.0000</a>	4	Pad, Anti Skid
13	<a href="#">00986.0000</a>	1	Decal, Warning - Electrical
14			
15	<a href="#">53433.0000</a>	8	Screw, Hex #6-19X.375 LG-THD Forming

Note: The following part(s) are not illustrated

17	<a href="#">20630.0025</a>	1	Cord Assy, Power 18/3 5-15P SH Stand
----	----------------------------	---	--------------------------------------

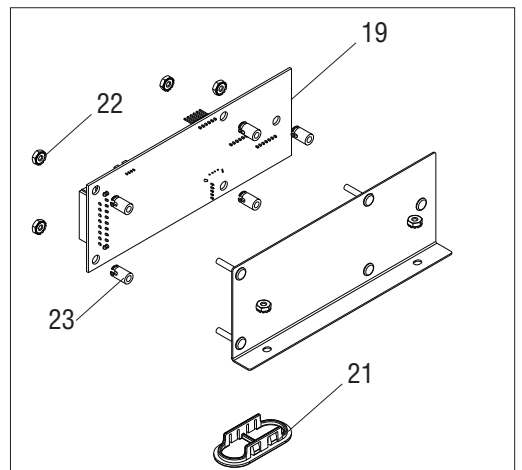
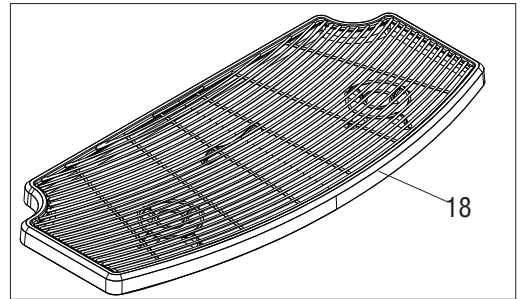
### Optional Accessories

18	<a href="#">53452.0000</a>	1	Kit, Drip Tray Twin Sh
----	----------------------------	---	------------------------

BLE Communications Kit for 2-SH Stand [53872.0001](#)  
(includes items 19 thru 23)

19	<a href="#">53390.1002</a>	1	Circuit Board, BLE Comm
20			
21	<a href="#">53456.0000</a>	1	Plug, Base
22	<a href="#">00973.0000</a>	7	Nut, Keps 6-32
23	<a href="#">29081.0000</a>	5	Spacer, CBA Mounting

Note: The following part(s) are not illustrated



# NUMERICAL INDEX

PART NO.	PAGE NO.
00986.0000.....	5,7
00973.0000.....	5,7
01663.0000.....	5,7
01686.0000.....	5,7
20630.0025.....	5,7
27181.0001.....	5,7
29081.0000.....	5,7
33363.1050.....	7
33363.1051.....	7
33363.1052.....	5
33363.1053.....	5
38074.0034.....	5,7
40041.0000.....	5,7
40042.0000.....	5,7
51506.0000.....	5,7
52014.0000.....	7
52018.0000.....	5,7
52019.0000.....	5,7
53284.0001.....	5
53390.0000.....	5,7
53390.1002.....	5,7
53456.0000.....	5,7
53433.0000.....	5,7
53450.1000.....	5,7
53452.0000.....	7
53452.0001.....	5
53872.0000.....	5