



G 500 220/60Hz

LIST OF THE EXPLODED VIEWS



SHELL ASSY

COOLING SYSTEM

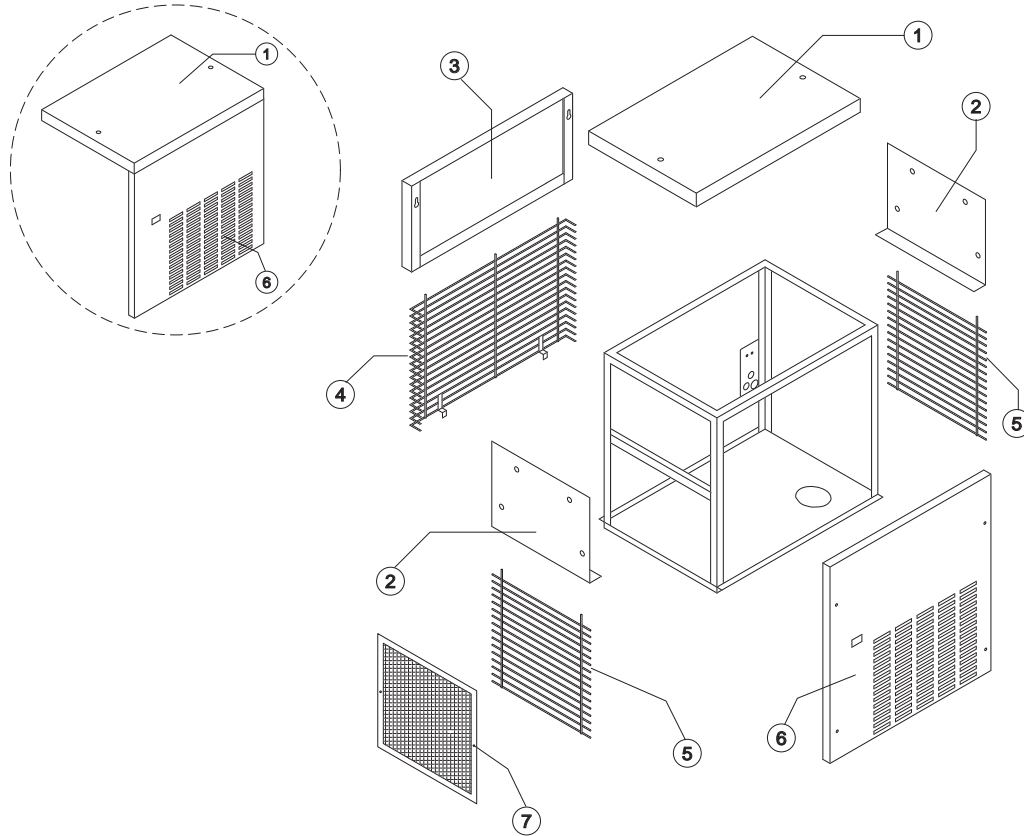
EVAPORATOR

HYDRAULIC CIRCUIT

ELECTRIC PARTS



Till s/n. 449326



Common Parts

Ref.	Spare Description	Code	
1	Top	Current Version	221122
1	Top	Till s/n. 449326	22667
2	Right/Left Side Panel		22663
3	Rear Panel		22665
4	Rear Grid		D12060
5	Lateral Grid		D12061
6	Front Panel Assembly	Current Version	221138
6	Front Panel Assembly	Till s/n. 449326	22662

Parts for Air-Cooled Version Only

Ref.	Spare Description	Code
7*	Filter	18163



Common Parts

Ref.	Spare Description	Code
1	Compressor	23642
2	Vacuum-Charge Valve Body	14007
3*	Vacuum-Charge Valve Device	14005
4*	Vacuum-Charge Valve Plug	14006
7*	Solid Core Drier	14084

Parts for Air-Cooled Version Only

Ref.	Spare Description	Code
6	Sucking Fan	20407
8	Air Condenser	20675

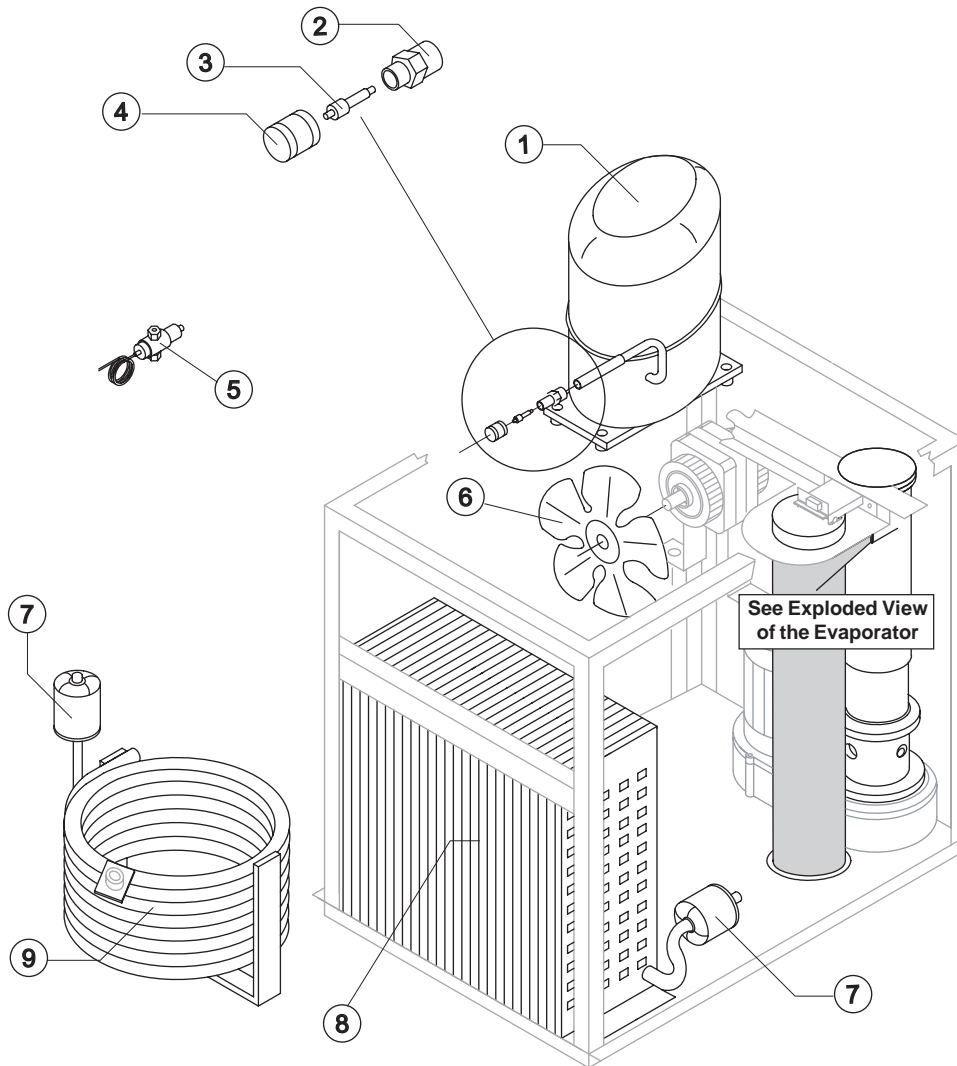
Parts for Water-Cooled Version Only

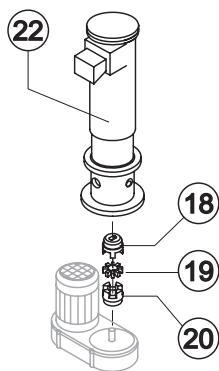
Ref.	Spare Description	Code
5	Pressostatic Valve	20210
6	Sucking Fan	10213
9	Water Condenser	14507

Ref. 1 - Compressor

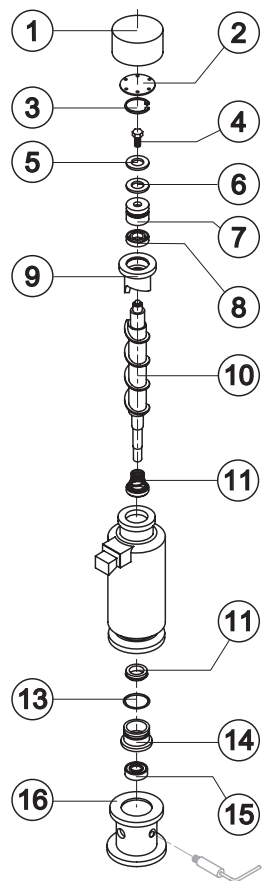
Voltage	Code
T11	23543
T12	23642
T15	23588
T18	23642

Rev. 00 - 24/01/2013





C11113.
KITNEVG500
till s/n.
230442.



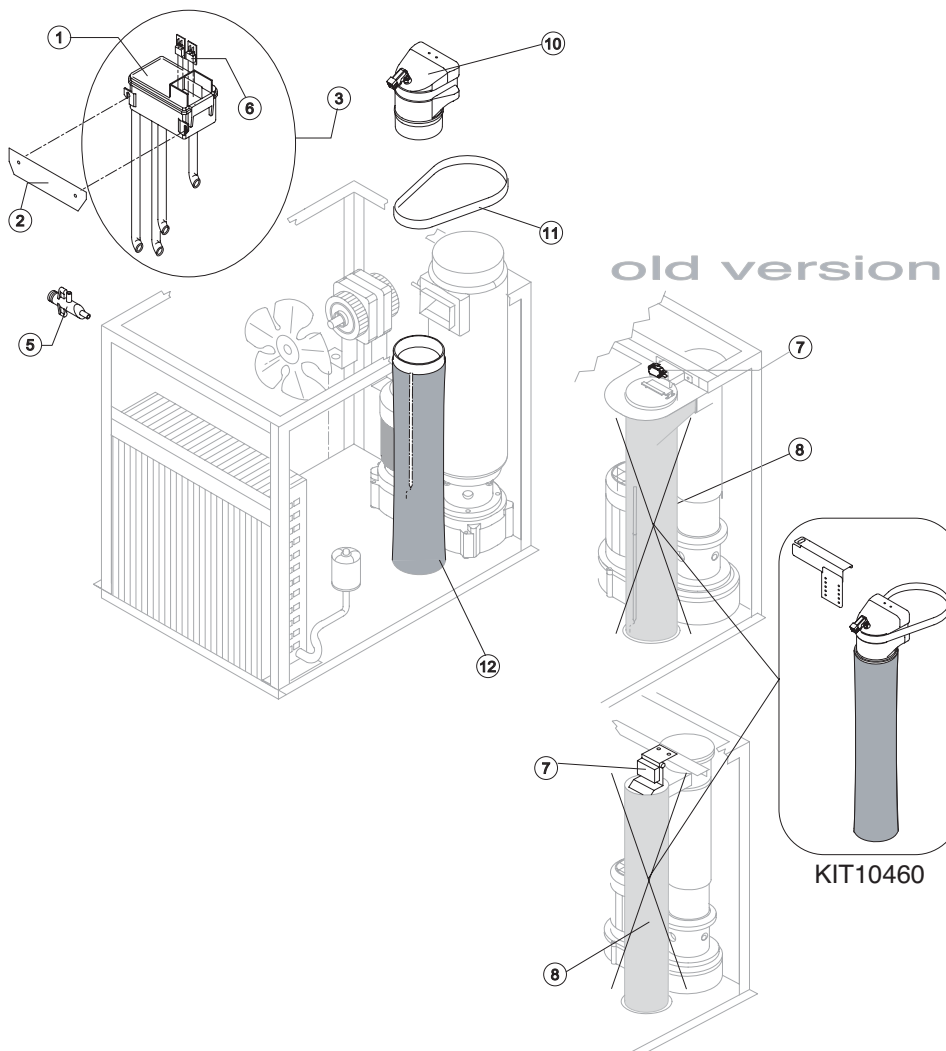
For Complete
Evaporator, order
C11113

Ref.	Spare Description (from s/n. 219168)	Code
1	Insulating Cap	18165
2	Closing Disk	22670
3	Seeger	20116
4	Stainless Steel Screw	20664
5	Shimming Disk	22829
6	Self-Lubricating Disk	20639
7	Stainless Steel Thrust Bearing	20685
8	OR Gasket 4137	20689
9	Ice Breaker	20781
10	Auger	20780
11	Ceramic Seal	20643
13	OR Gasket 4312 NBR	20205
14	Reduction Ring	20647
15	Stainless Steel Bearing	20113
16	Flange	20644
18	Semi-Joint Upper	D20642
19	Vibration-Damping Elastomer	20494
20	Semi-Joint Lower	D20493
22	Evaporator Assy	Current Version C11113
22	Evaporator Assy	Till s/n. 230442 KITNEVG500



G 500 220/60Hz

HYDRAULIC CIRCUIT



For ice makers till s/n. 230442 if you must substitute both ref. 7 and ref. 8 order the KIT10460.

Common Parts

Ref.	Spare Description	Code
1	Double Switch Basin	10145
2	Basin Support Plate	21133
3*	Double Switch Basin Assembly	C10314
6	Microswitch	23055
7	Bin Level Control Microswitch	From s/n. 230443 till s/n. 497567 23930
7	Bin Level Control Switch	Till s/n. 230442 C22099
8	Complete Ice Outlet Pipe Assy	Till s/n. 497567 KIT10460
10*	Ice Exhaust Assy with Micro	Current Version C10585
11	Locking Exhaust Strip	Current Version 25049
12	Ice Outlet Pipe with Bin bulbo holder	Current Version C10657
12	Ice Outlet Pipe with Bin bulbo holder	Till s/n. 603755 K10588

Parts for Air-Cooled Version Only

Ref.	Spare Description	Code
5	Discharges Manifold	10579

Parts for Water-Cooled Version Only

Ref.	Spare Description	Code
5	Discharges Manifold	C10053



G 500 220/60Hz

ELECTRIC PARTS

Common Parts

Ref.	Spare Description	Code
2	Anti Radio Interference Filter	C23457
5*	1 Way- Water Inlet Valve	23115
7*	Green Light Switch (On-Off)	23327
10	Low pressure safety switch	Current Version 23909
10	Evaporator Thermostat	Till s/n. 449471 R23034
11*	Contactors	23963
12*	Rotation Sensor	R23676
13*	Bin Thermostat	Current Version R231035
13*	Bin Thermostat	Till s/n. 603755 R23421
17	Gearmotor	23853
19	Safety Pressure Switch	23342

Parts for Air-Cooled Version Only

Ref.	Spare Description	Code
6*	Fan Motor	23121
8	Anti Radio Interference Filter	C23459
9*	Condenser Pressure Switch	23680

Parts for Water-Cooled Version Only

Ref.	Spare Description	Code
6*	Fan Motor	23682
18	1 Way- Water Inlet Nipple	10368

Rev. 00 - 24/01/2013

