



CB 674 USA

LIST OF THE EXPLODED VIEWS



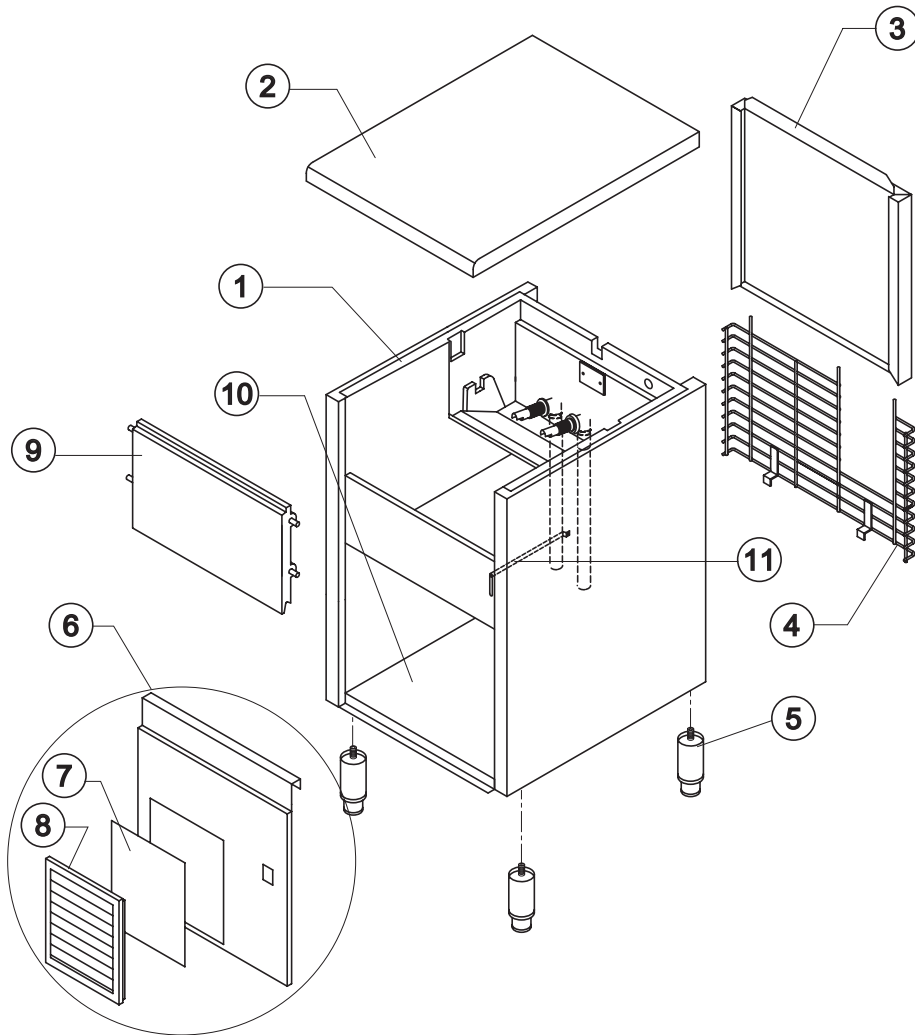
SHELL ASSY

COOLING SYSTEM

HYDRAULIC CIRCUIT

ELECTRIC PARTS

Rev. 00 - 24/01/2013

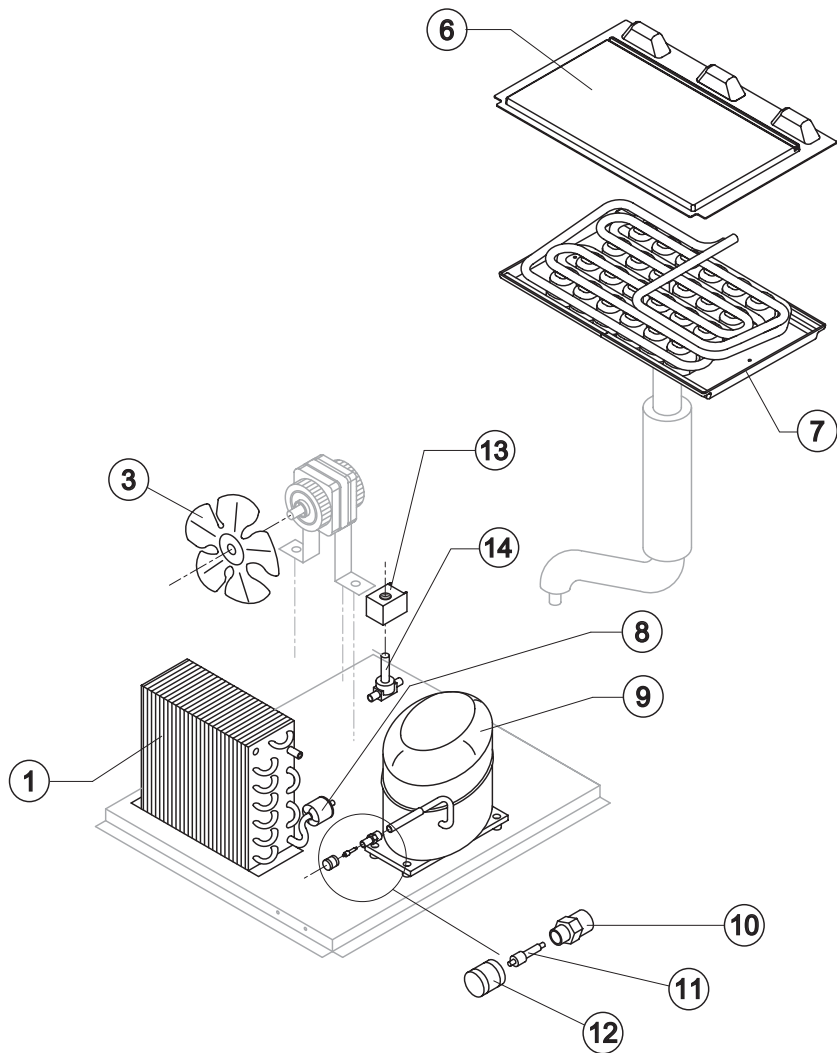


Ref.	Spare Description	Code
1	Foamed Cabinet Assy	C11009A
2	Top Assembly	C22673
3	Rear Panel Assembly	C21184
4	Rear Grid	D12015
5	Adjustable Stainless Steel Foot	20668
6	Front Grid Panel	C22509
7*	Filtering Panel	18106
8	Frame + Grid & Filter	C10205
9	Door Assy	C10275
10	Base Plate	21280
11	Bulb-holder Pipe	20521



Common Parts

Ref.	Spare Description	Code
1	Air Condenser	20558
3	Sucking Fan	20031
4	Sucking Fan	10213
5	Fan Fixing Hub	10014
6	Evaporator Cover Panel	10448
7	Evaporator	D10047
8*	Solid Core Drier	14089
9	Compressor	23679
10	Vacuum-Charge Valve Body	14007
11*	Vacuum-Charge Valve Device	14005
12*	Vacuum-Charge Valve Plug	14006
13*	Hot Gas Valve Coil	23256
14*	Hot Gas Valve Body	20410

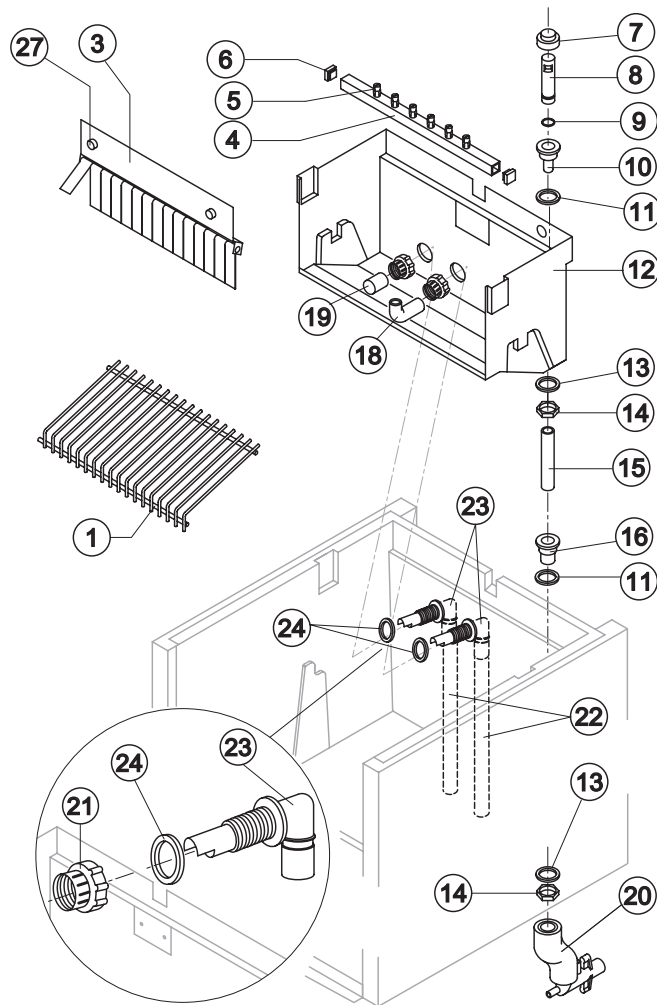


Rev. 00 - 24/01/2013



CB 674 USA

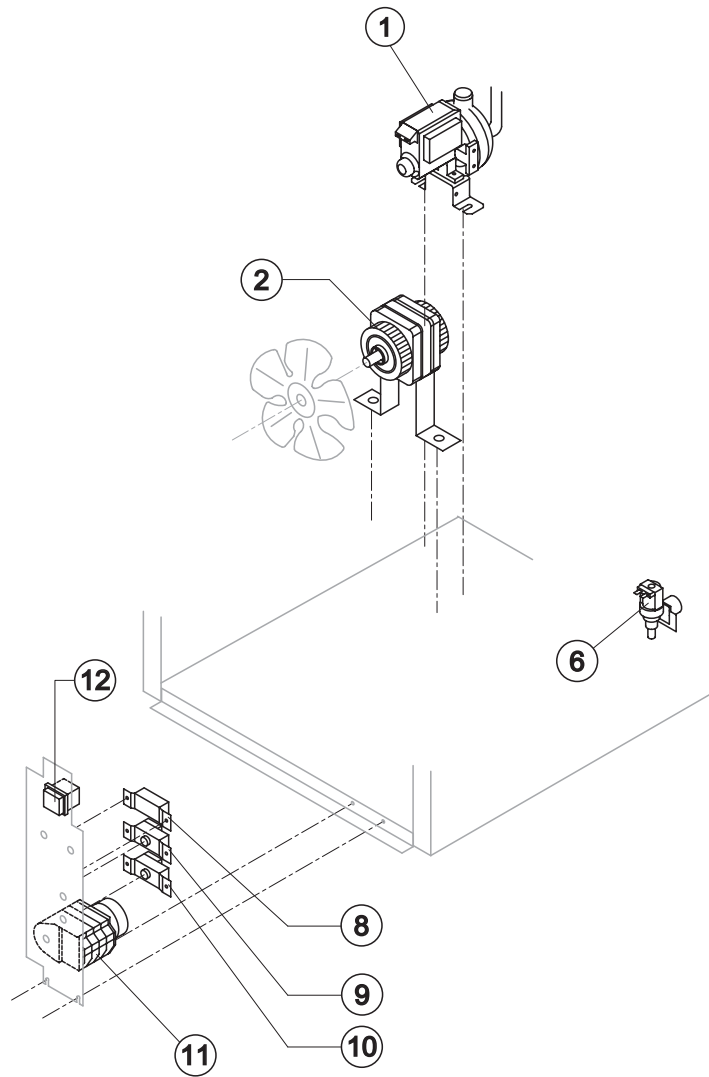
HYDRAULIC CIRCUIT



Common Parts

Ref.	Spare Description	Code
1	Ice Cubes Slide	D12017
3	Flags Support Assy	C22059
4*	Sprayers Bar Assembly	C20058
5	Sprayer	D20002
6	Sprayers Bar Plug	10012
7*	Overflow Cap	10305
8*	Overflow Pipe	10133
9*	OR Gasket for Overflow Pipe	20233
10	Overflow Pipe Nipple	10471
11	Silicone Gasket	13006
12	Inner Basin	10034
13	Semirigid Polyethylene Gasket	13007
14	Bin Discharge Nut	10096
15*	Overflow Pipe	13109
16	Water Outlet Nipple	10472
18	Sprayers Feeding Pipe	13005
19*	Pump Suction Filter	20005
20	Discharge Manifold	C10006
21	Fittings Locking Ring	10405
22	Pump Suction/Delivery Pipe	13140
23	Fitting of the Pump Suction/Delivery Pipes	10404
24	Gasket for Pump Suction/Delivery Pipes	13143
27	Fixing Screw	20009

Rev. 00 - 24/01/2013



Common Parts

Ref.	Spare Description	Code
1*	Pump Assy	231038
2*	Fan Motor	23621
6*	1 Way- Water Inlet Valve	23410
8*	Condenser Pressure Switch	23680
9*	Bin Thermostat	R23005
10*	Evaporator Thermostat	R23591
11*	Timer	23833
12*	Green Light Switch (On-Off)	23327