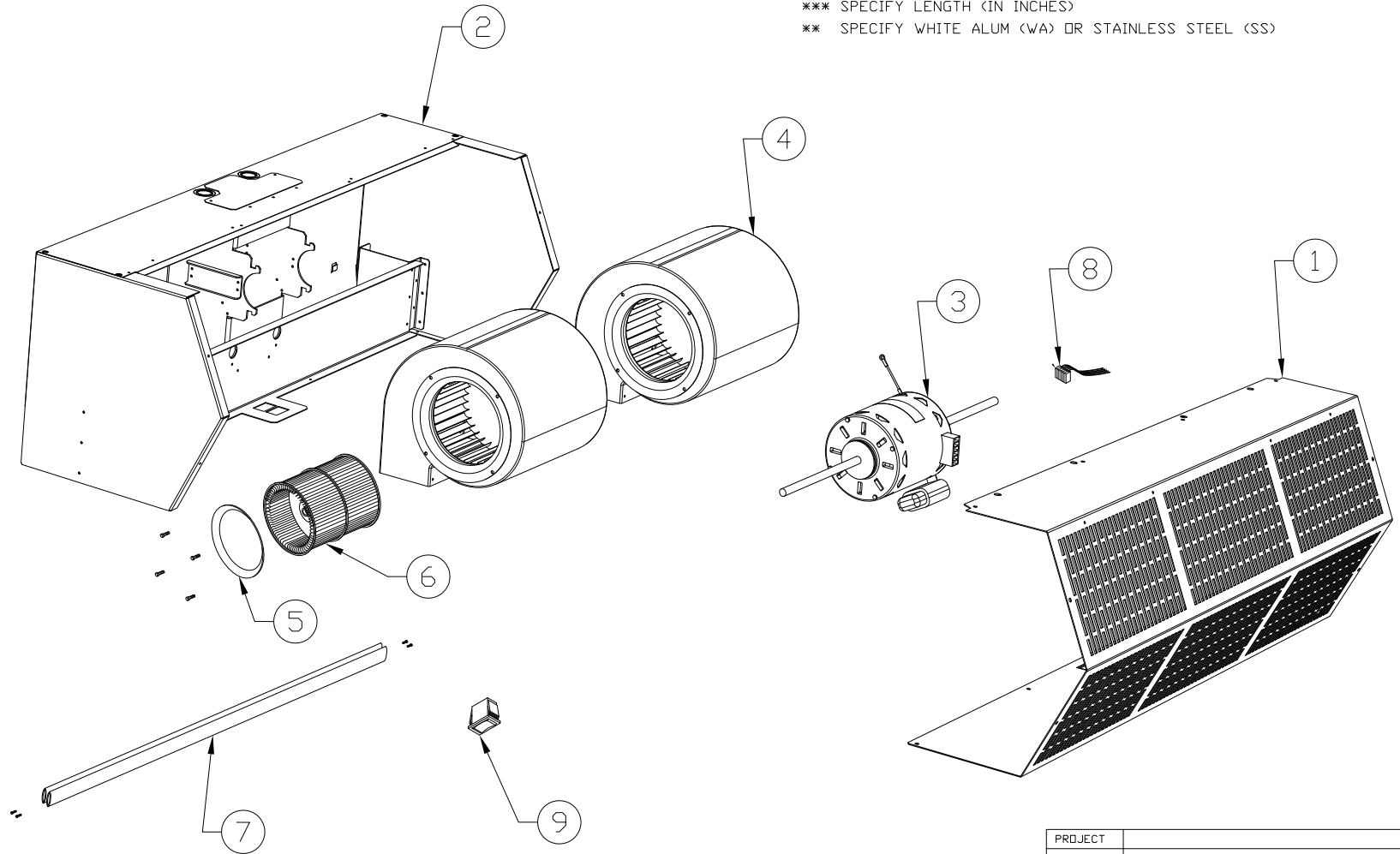


SHD07 REPLACEMENT PARTS

ITEM	DESCRIPTION	PART #
1	COVER	40LWD***IS-**
2	FRAME ASSEMBLY (1 MOTOR)	43LWD***MC-1A1
2	FRAME ASSEMBLY (2 MOTOR)	43LWD***MC-1A2
2	FRAME ASSEMBLY (3 MOTOR)	43LWD***MC-1A3
3	MOTOR, 3/4 HP, (120/208/240, 1 PH)	013F4048F1X18C
3	MOTOR, 3/4 HP, (480V, 1 PH)	013F4048F1X18H
4	BLOWER ASSEMBLY - REAR DOOR & NSF	29B631S012G-L
5	VENTURI RING	20B631-G
6	BLOWER WHEEL - REAR DOOR	0204063112L
7	NOZZLE VANE (specify vane length - inches)	06ALM516ARF-121
8	WIRE HARNESS (120V, 1 PH)	505WH115LWA
8	WIRE HARNESS (208-240/480V, 1 PH)	505WH230LWA
9	ROCKER SWITCH, SNGL-20A, BEZEL MNT, DPST, (FAN ON/OFF)	33A020B-DS

*** SPECIFY LENGTH (IN INCHES)

** SPECIFY WHITE ALUM (WA) OR STAINLESS STEEL (SS)



PROJECT		
LOCATION		
ARCHITECT		
ENGINEER		REV. -
DWG. NO.	SHD07-RP	TITLE: BERNER
DATE	5DEC2017	MODEL SHD07 AIR DOOR
BY	K. KAUFMAN	REPLACEMENT PARTS
REPLACES		BERNER INTERNATIONAL CORP.
BY		NEW CASTLE, PA.