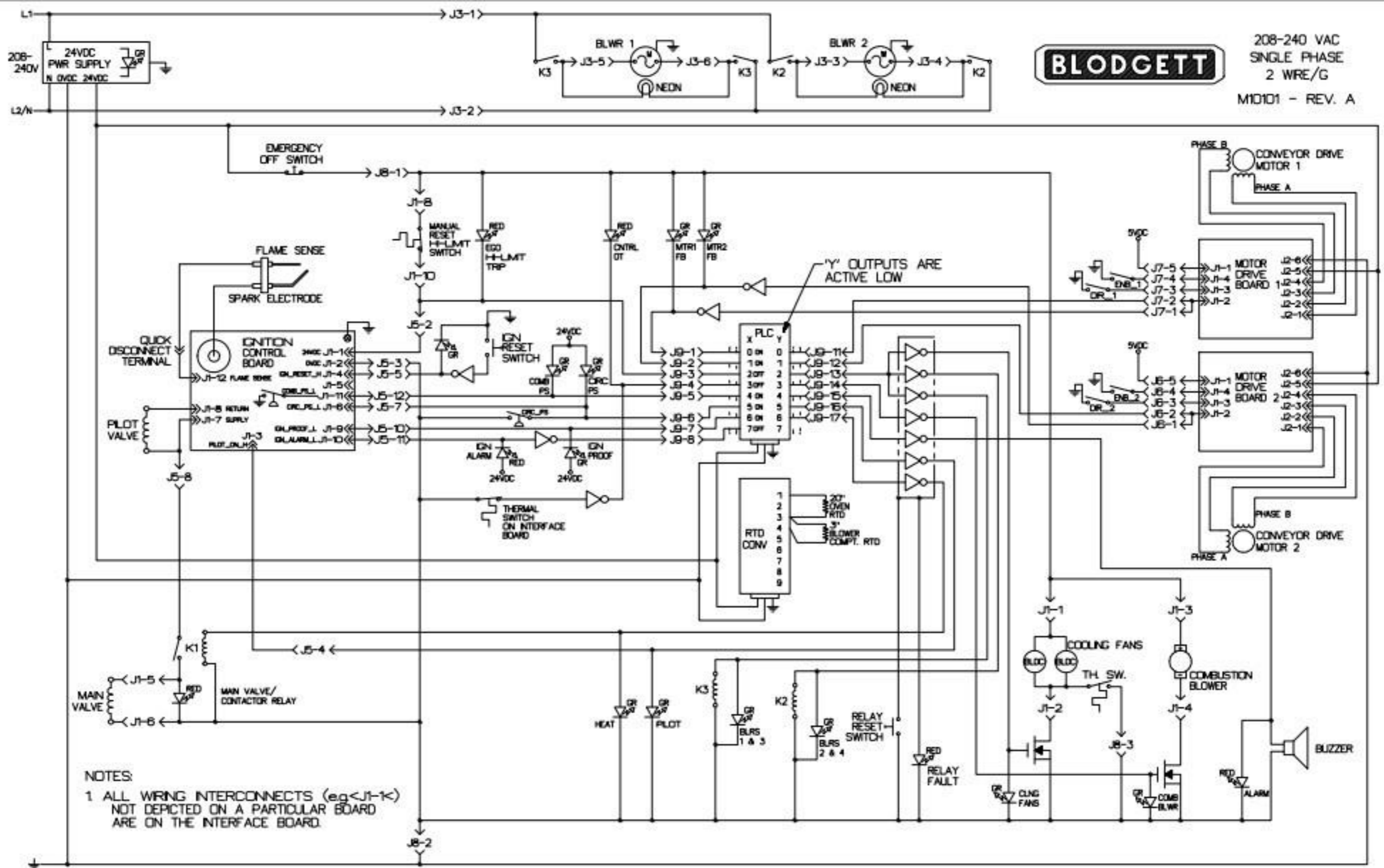


BLODGETT

208-240 VAC
 THREE PHASE
 3 WRE/G
 MID126 - REV. A

NOTES:
 1. ALL WIRING INTERCONNECTS (eg J1-K) NOT DEPICTED ON A PARTICULAR BOARD ARE ON THE INTERFACE BOARD.

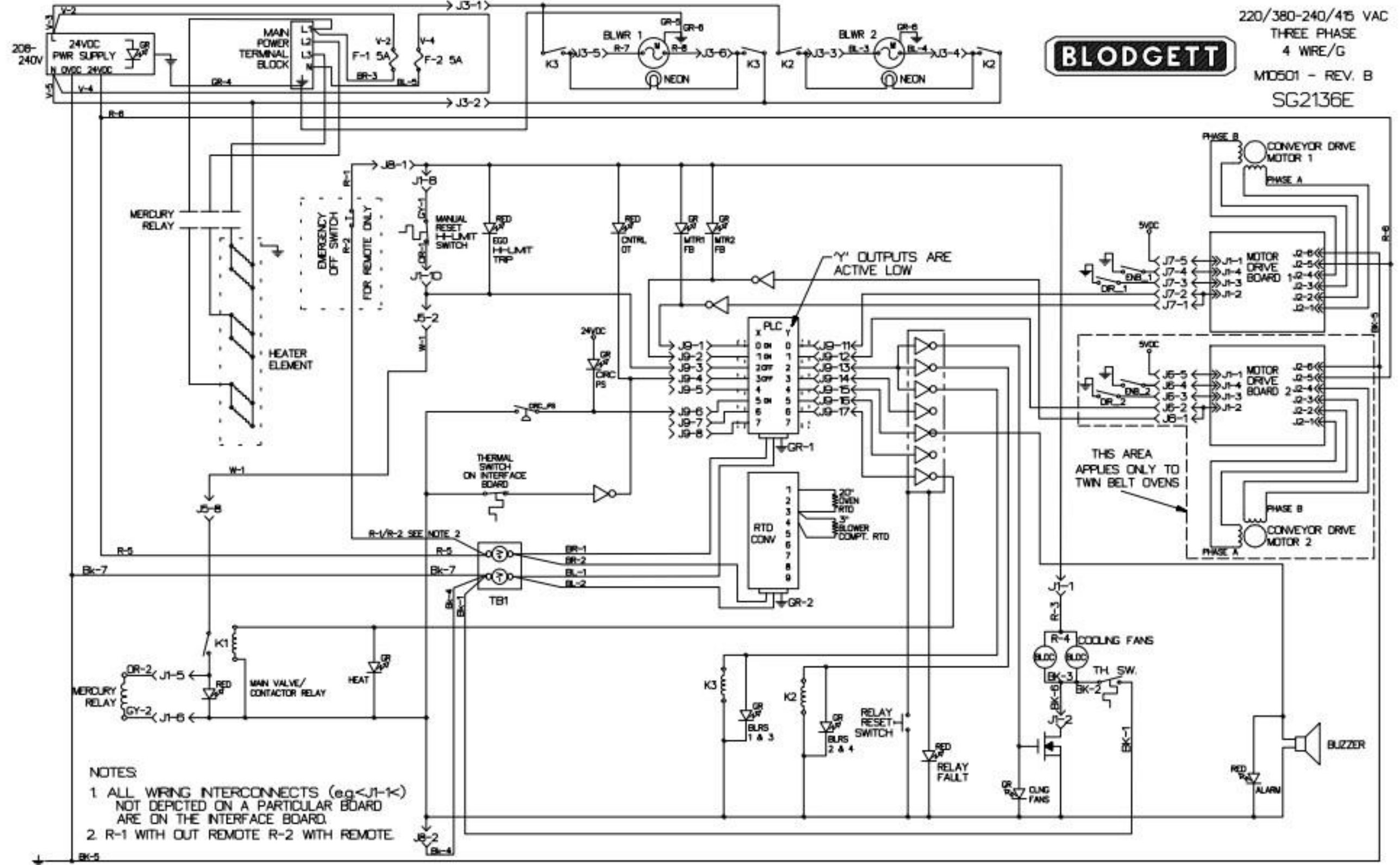


BLODGETT

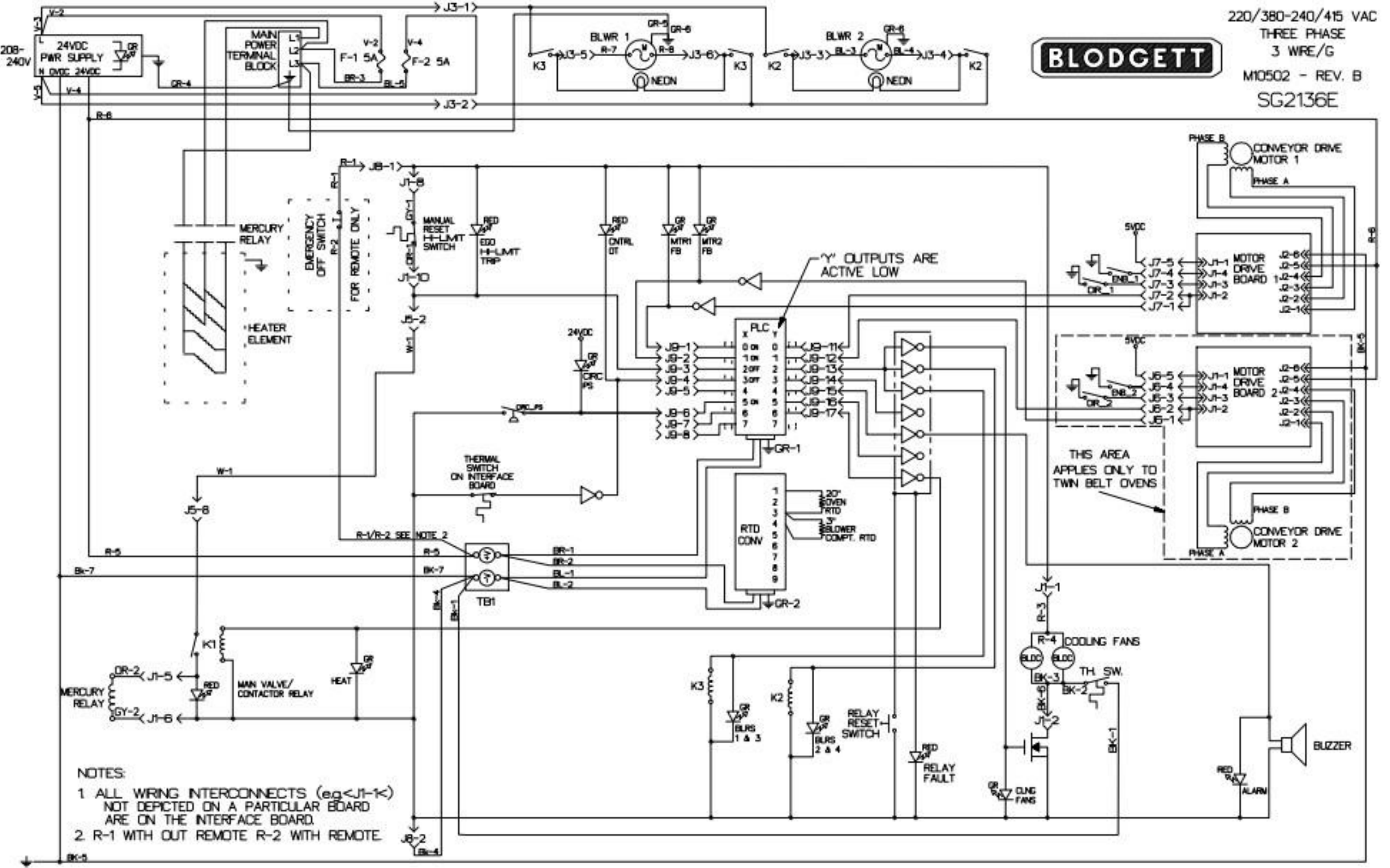
208-240 VAC
SINGLE PHASE
2 WRE/G
MID101 - REV. A

'Y' OUTPUTS ARE ACTIVE LOW

NOTES:
1 ALL WIRING INTERCONNECTS (eg J1-K)
NOT DEPICTED ON A PARTICULAR BOARD
ARE ON THE INTERFACE BOARD.



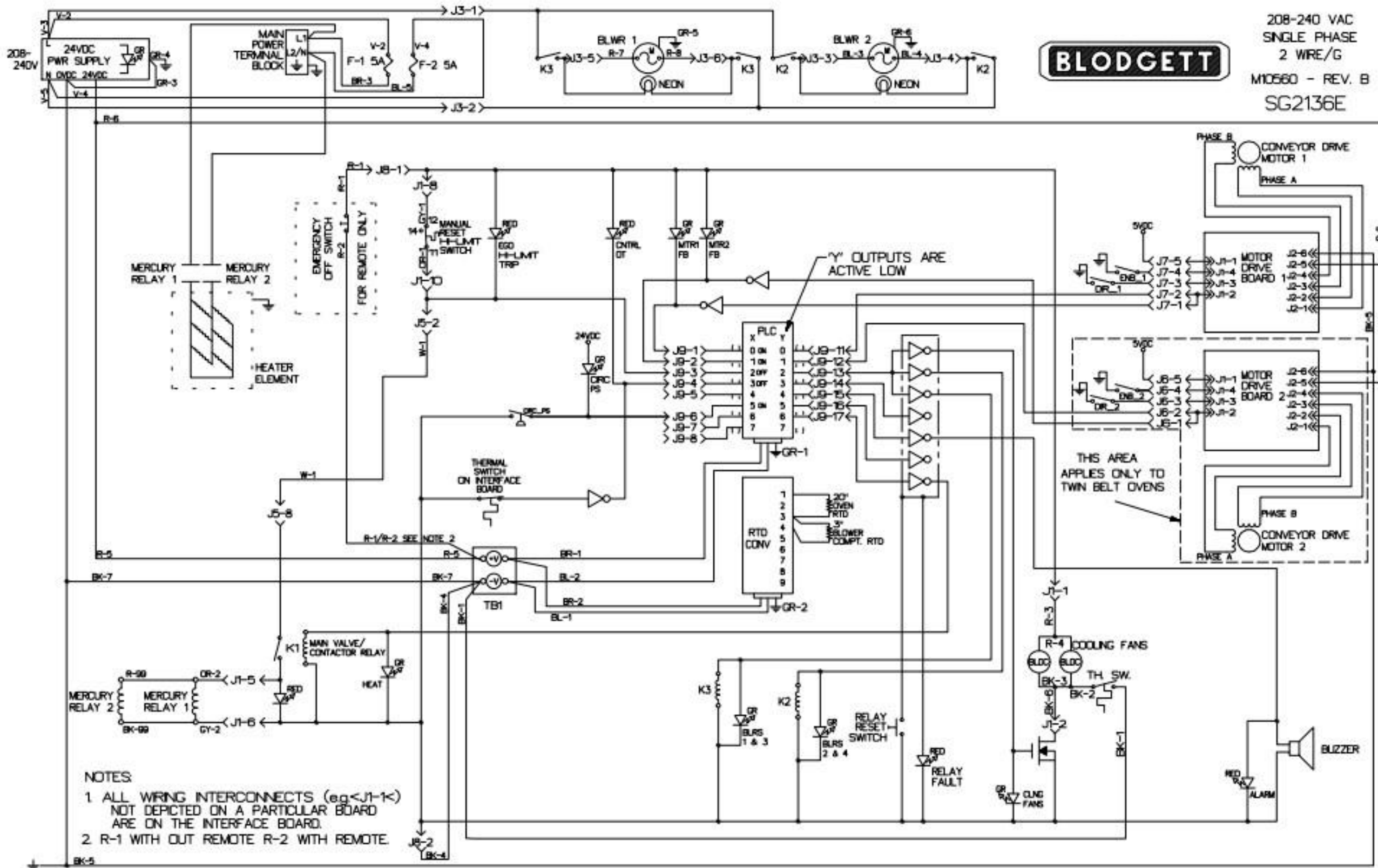
- NOTES:
- 1 ALL WIRING INTERCONNECTS (eg <J1-K>) NOT DEPICTED ON A PARTICULAR BOARD ARE ON THE INTERFACE BOARD.
 - 2 R-1 WITH OUT REMOTE R-2 WITH REMOTE.



Y OUTPUTS ARE ACTIVE LOW

THIS AREA APPLIES ONLY TO TWIN BELT OVENS

- NOTES:
 1 ALL WIRING INTERCONNECTS (eg <J1-1>) NOT DEPICTED ON A PARTICULAR BOARD ARE ON THE INTERFACE BOARD.
 2 R-1 WITH OUT REMOTE R-2 WITH REMOTE.



BLODGETT

208-240 VAC
 SINGLE PHASE
 2 WIRE/G
 M10560 - REV. B
 SG2136E

NOTES

- 1 ALL WIRING INTERCONNECTS (eg <J1-1>) NOT DEPICTED ON A PARTICULAR BOARD ARE ON THE INTERFACE BOARD.
- 2 R-1 WITH OUT REMOTE R-2 WITH REMOTE.

Y OUTPUTS ARE ACTIVE LOW

THIS AREA APPLIES ONLY TO TWIN BELT OVENS

RED ALARM

RELAY FAULT

RELAY RESET SWITCH

COOLING FANS

CONVEYOR DRIVE MOTOR 2
 PHASE A
 PHASE B

CONVEYOR DRIVE MOTOR 1
 PHASE A
 PHASE B

MOTOR DRIVE BOARD 2

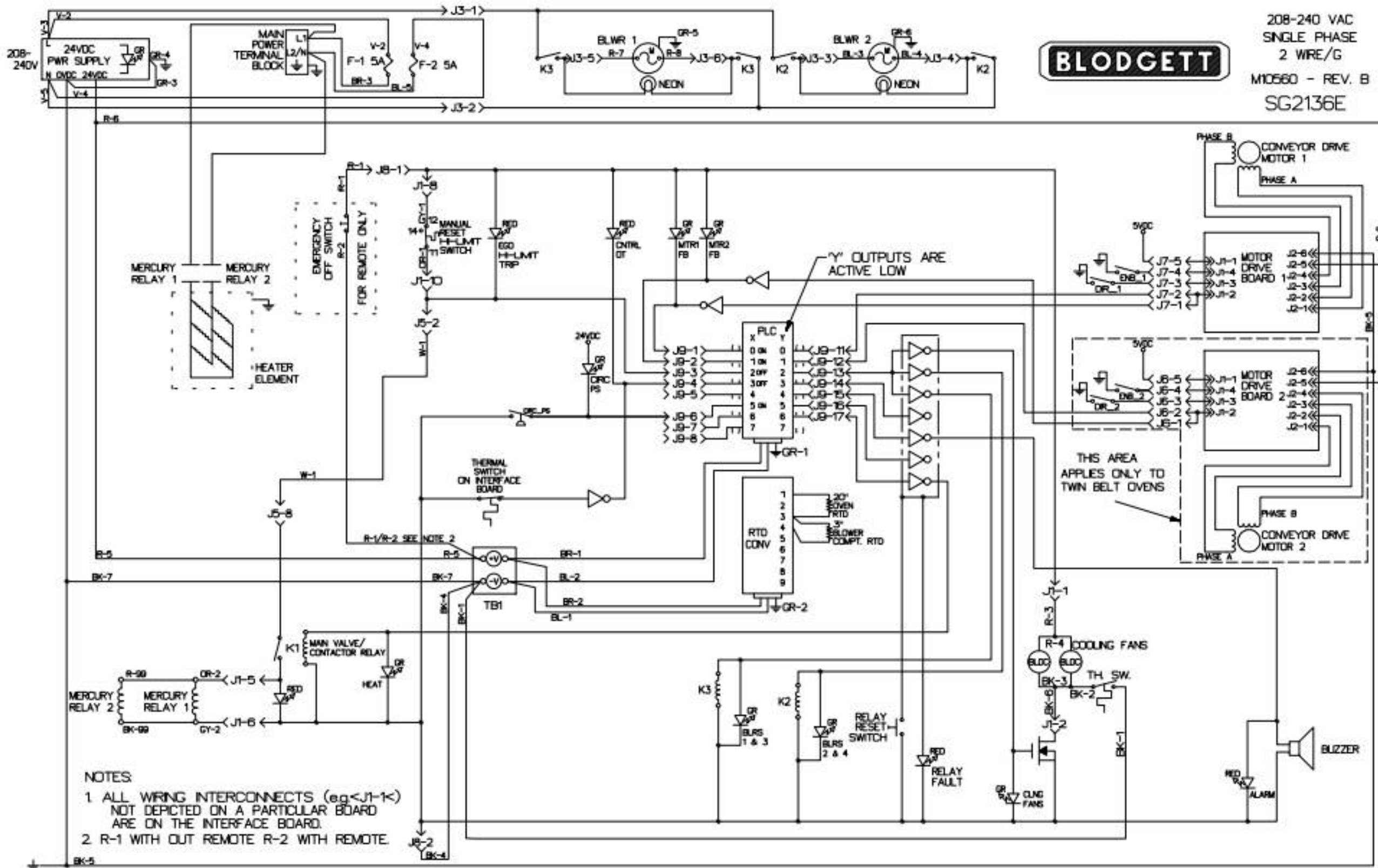
MOTOR DRIVE BOARD 1

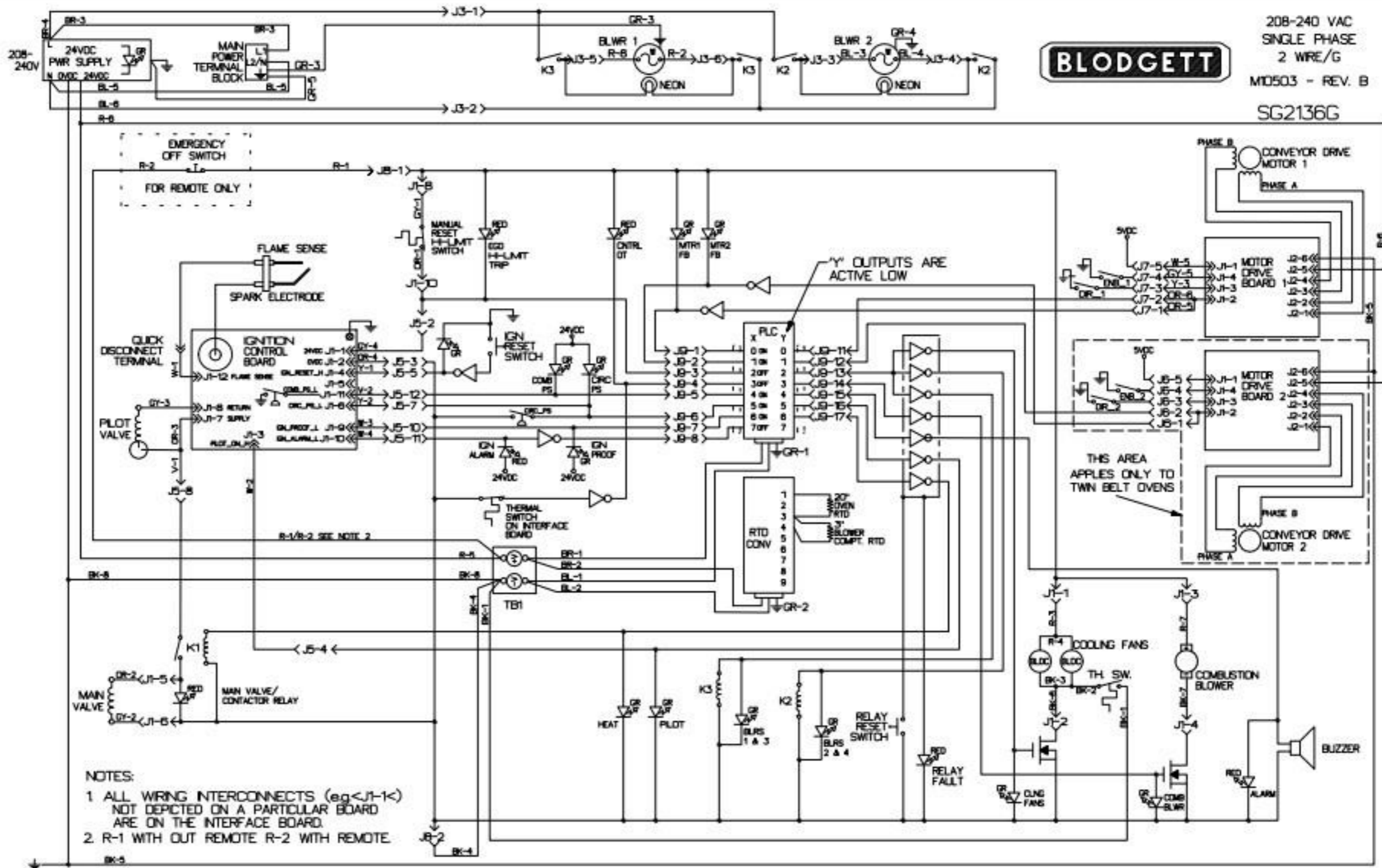
RTD CONV

THERMAL SWITCH ON INTERFACE BOARD

PLC

MERCURY RELAY 1
 MERCURY RELAY 2
 HEATER ELEMENT





BLODGETT

208-240 VAC
SINGLE PHASE
2 WIRE/G
MID503 - REV. B

SG2136G

- NOTES:
- 1 ALL WIRING INTERCONNECTS (eg <J1-1>) NOT DEPICTED ON A PARTICULAR BOARD ARE ON THE INTERFACE BOARD.
 - 2 R-1 WITH OUT REMOTE R-2 WITH REMOTE.

Y OUTPUTS ARE ACTIVE LOW

THIS AREA APPLIES ONLY TO TWIN BELT OVENS