



**COS-5HA
HATCHABLE COMBI OVEN
REPLACEMENT PARTS LIST**

EFFECTIVE FEBRUARY 22, 2012

Superseding All Previous Parts Lists.

The Company reserves the right to make substitution in the event that items specified are not available.

ERRORS: Descriptive and/or typographic errors are subject to correction.

BLODGETT OVEN COMPANY

44 Lakeside Avenue, Burlington, Vermont 05401 USA Telephone: (802) 658-6600 Fax: (802) 860-3732
www.blodgett.com

P/N R11326 Rev G

SERIAL NUMBER LOCATION / KEY:

IMPORTANT: When ordering parts, please provide the model, gas type, voltage and serial number of the oven. The identification plate is located on the front side of the control compartment.

SERIAL NUMBERS CONTAINING:

JR

JS

EXAMPLE:

030102JR023T OR

030102JS023T

Ovens shipped after 1/1/2002 (designated COS-5HA)

TO OBTAIN LITERATURE:

Email: literature@blodgett.com

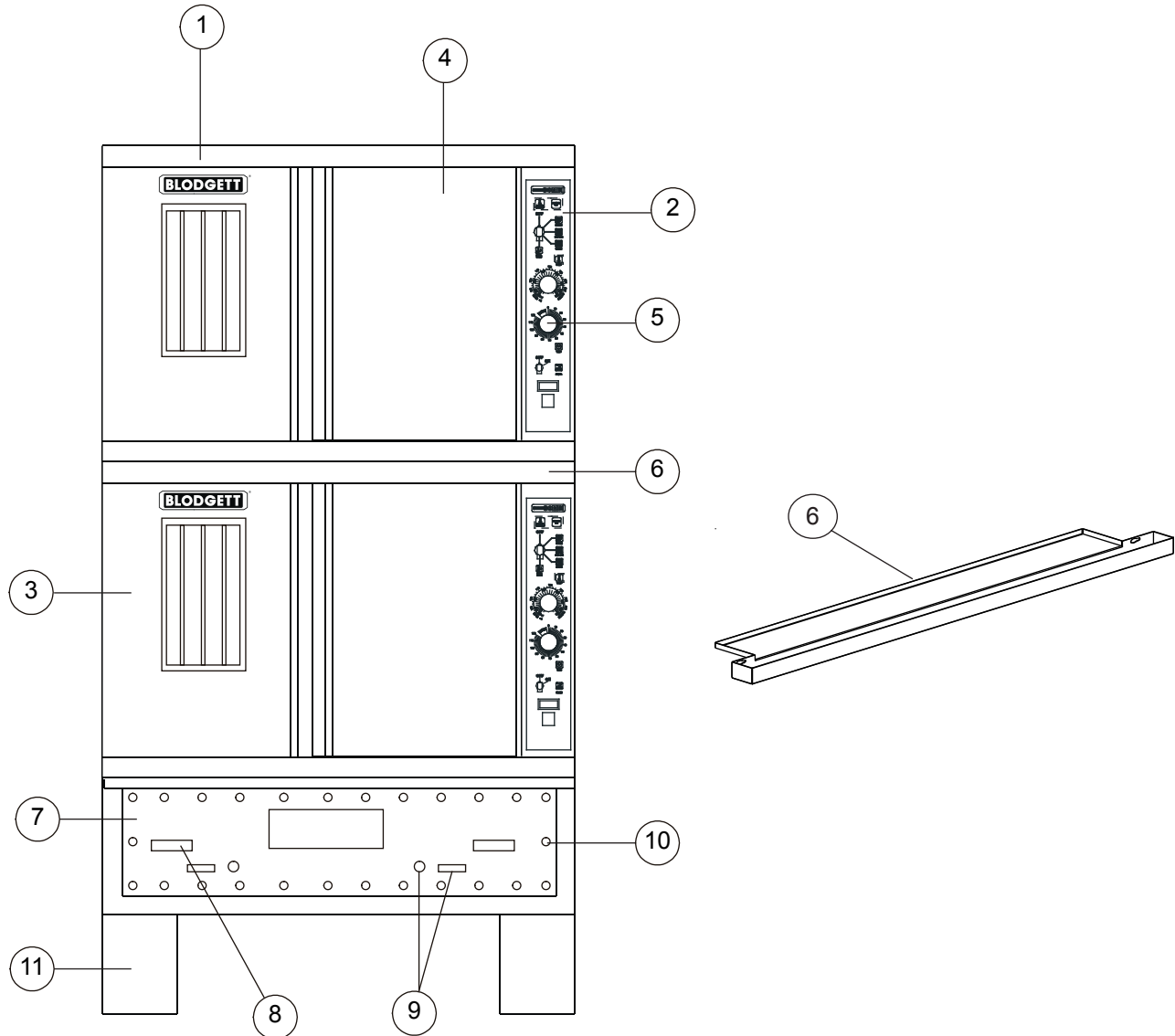
or visit

www.blodgett.com

TABLE OF CONTENTS

| | |
|---------------------------------------|---------|
| EXTERIOR COMPONENTS | PAGE 4 |
| OVEN CONTROLS..... | PAGE 5 |
| DOOR COMPONENTS..... | PAGE 6 |
| ELECTRIC & STEAM SUPPLY | PAGE 10 |
| MOTOR & HOT AIR ELEMENTS | PAGE 11 |
| INTERIOR COMPONENTS | PAGE 12 |
| SLIDE TRAY COMPONENTS | PAGE 13 |
| DELIMITING HAND PUMP COMPONENTS | PAGE 14 |
| INSTALLATION BASE COMPONENTS | PAGE 15 |
| PLUMBING & VENTING COMPONENTS | PAGE 16 |
| SCHEMATICS | PAGE 17 |

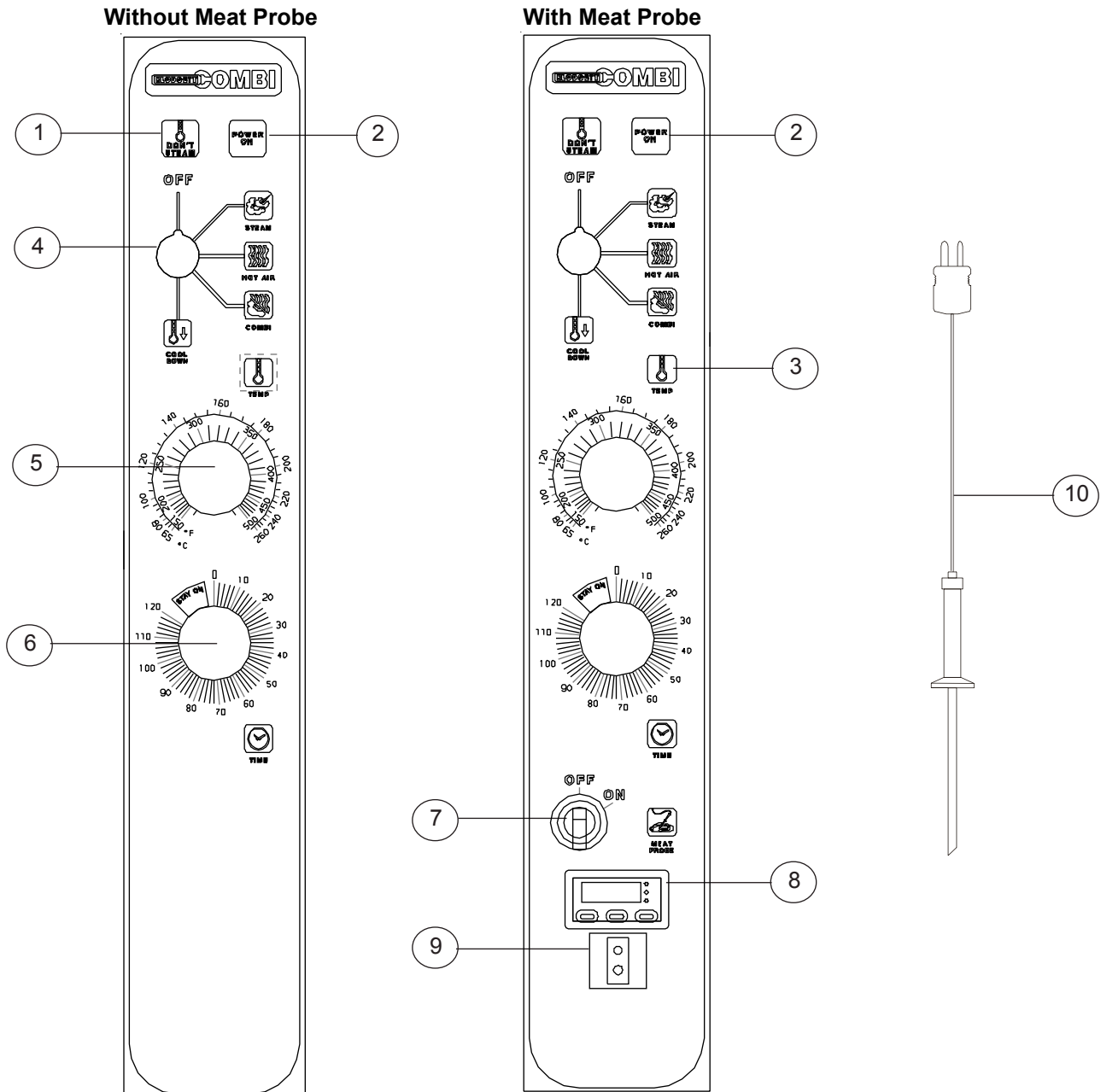
EXTERIOR COMPONENTS



| Ref. No. | Part No. | Description |
|----------|----------|-------------------------------------|
| 1 | R11290 | Body top, top section s/s |
| | R10044 | Body top, botm/base sections s/s |
| | R10250 | Crown, trim piece, top section s/s |
| 2 | R7564 | Body side, RH |
| 3 | R10811 | Door assy, LH Solid |
| | R10810 | Door assy, LH Glass |
| 4 | R10528 | Door assy, RH Solid |
| 5 | R7046 | Control panel w/mp |
| | R7471 | Control panel w/o mp |
| 6 | R7033 | Drip pan |
| 7 | R11037 | Slide tray, assembled |
| | R11274 | Cover, slide tray |
| | R11308 | Cover, access |
| | R4872 | Gasket, cover slide tray (per foot) |

| Ref. No. | Part No. | Description |
|----------|----------|----------------------------------|
| 8 | R4413 | Handle, slide tray |
| 9 | R3011 | Cap, delimiting |
| | R2998 | Decalcifier, inlet threaded |
| | R2895 | Handle, valve decalcifier |
| | R10215 | Valve, decalcifier with fittings |
| | R3042 | Washer, plastic |
| | R11277 | Bracket, delimiting ball valve |
| | R2812 | Hose |
| 10 | 16384 | Screw, cover slide tray |
| 11 | R7882 | Install base, 18" leg option |
| | R7876 | Install base, 14" leg option |
| | R7875 | Install base, 8" leg option |
| | R7881 | Install base, 6" leg option |
| | R7596 | Install base, floor option |

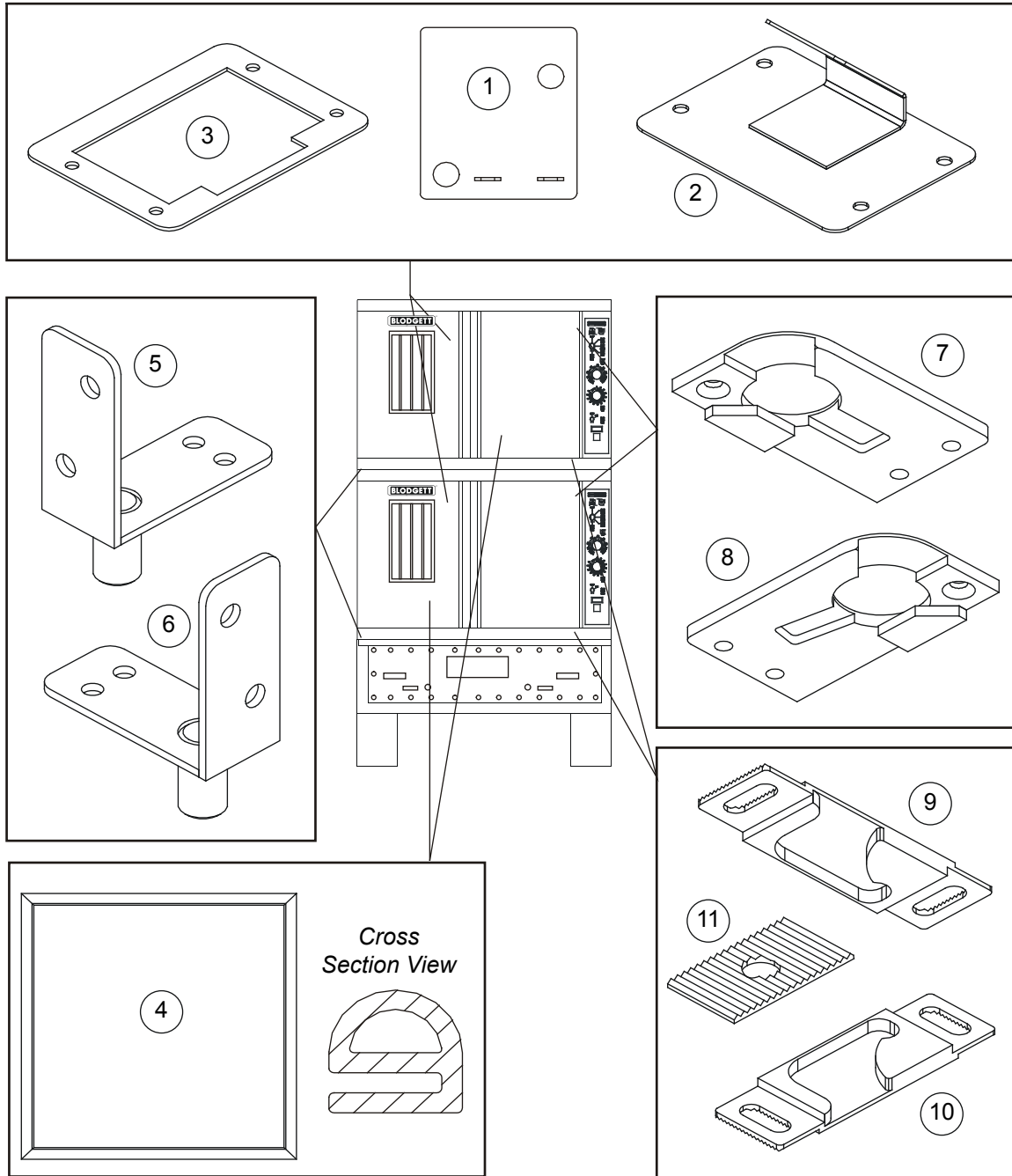
OVEN CONTROLS



| Ref. No. | Part No. | Description |
|----------|----------|---|
| | R7450 | Decal, standard with out meat probe |
| | R7027 | Decal, standard with meat probe |
| 1 | R0226 | Indicator light, clear "Don't Steam" |
| 2 | R1318 | Indicator light, green "Power On" |
| 3 | R0226 | Indicator light, clear "Temp" |
| 4 | R4623 | Switch, mode 4 position |
| | R8515 | Knob & shaft assy, mode switch |
| 5 | R2666 | Timer, 120 minute, 230V, 60hz |
| | 16686 | Knob, timer |
| 6 | R6407 | Controller kit, hot air, 150-500 degrees P5 |
| | 16686 | Knob, hot air controller |
| | R7319 | Probe, thermistor hot air controller |
| | R3992 | Gasket, hot air probe |

| Ref. No. | Part No. | Description |
|----------|----------|-----------------------------------|
| 7 | R7198 | Switch, on/off meat probe |
| 8 | R5242 | Controller, meat probe |
| 9 | R5219 | Connector, panel jack, meat probe |
| 10 | R5315 | Probe, meat plug in type |
| | R5218 | Harness, meat probe |
| | R5325 | Wire, thermocouple |
| | R6988 | Suppressor, arc |
| | R6987 | Harness, control panel |
| | R2792 | Relay, SPST 240V (not shown) |
| | R7519 | Varistor assy, 275V |
| | R9498 | Buzzer, 240V |
| | R8592 | Timer, Combi |

DOOR COMPONENTS

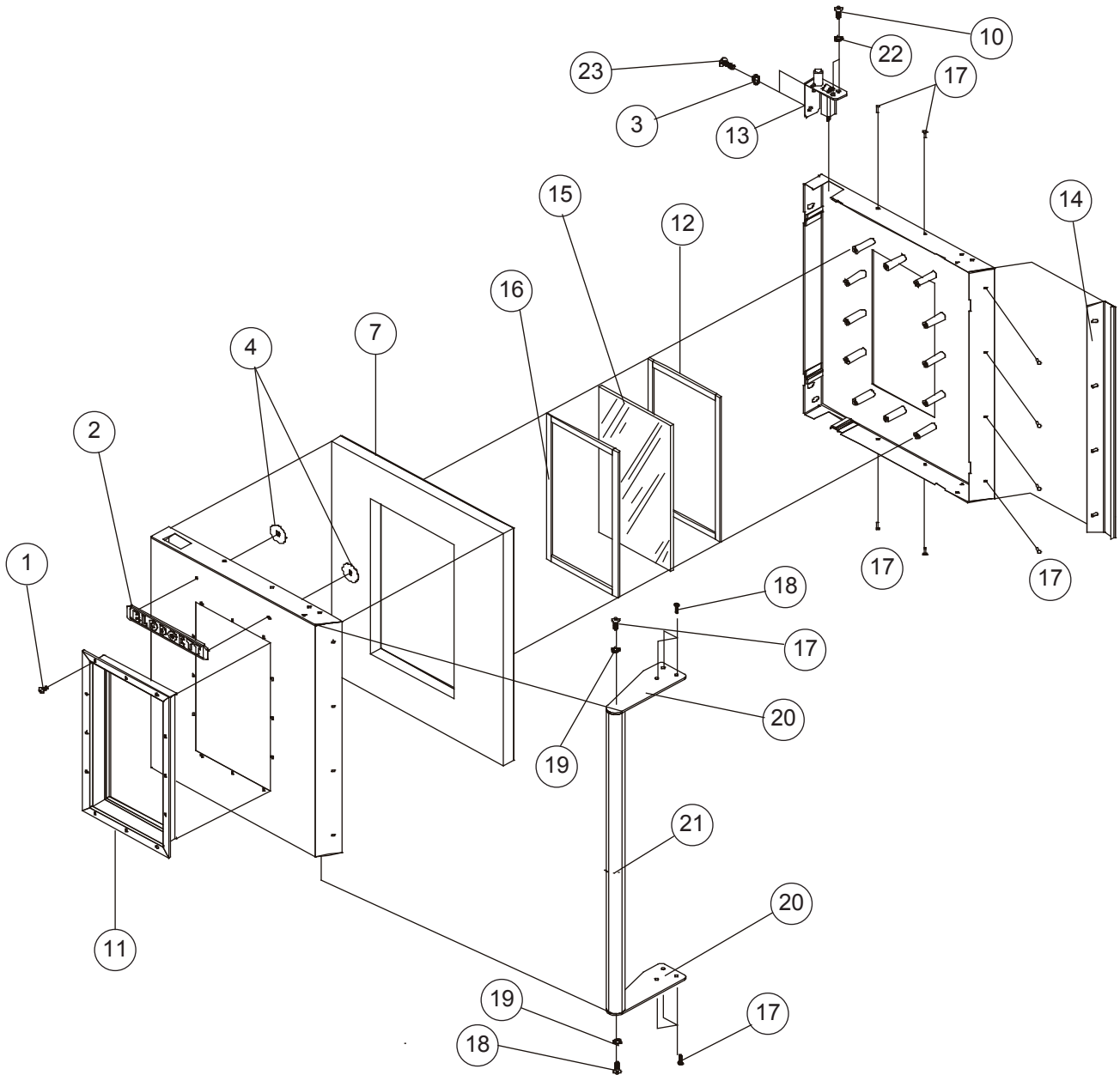


| Ref. No. | Part No. | Description |
|----------|----------|--|
| 1 | 31485 | Switch, door proximity |
| 2 | R6825 | Plate assy, switch |
| 3 | R7321 | Gasket, door switch |
| 4 | R6722 | Gasket, door cavity |
| | R3774 | Retainer strip, gasket mounting horizontal |
| | R6770 | Retainer strip, gasket mounting vertical |
| 5 | R6756 | Bracket assy, LH Botm |
| 6 | R6758 | Bracket assy, RH Botm |
| | R9889 | Bushing |
| 7 | R6760 | Plate assy, LH Top |

| Ref. No. | Part No. | Description |
|----------|----------|-----------------------------|
| 8 | R6763 | Plate assy, RH Top |
| 9 | R10319 | Latch, Botm RH door |
| 10 | R10320 | Latch, Top RH door |
| 11 | R10318 | Receiver, latch |
| | R7199 | Bushing, spacer |
| | R7297 | Shim, door catch .03 |
| | R7299 | Shim, door catch .06 |
| | R7748 | Spacer, door pivot |
| | 15932 | Bearing, .627 ID x 3/4 long |
| | R9890 | Shim, stop |

DOOR COMPONENTS

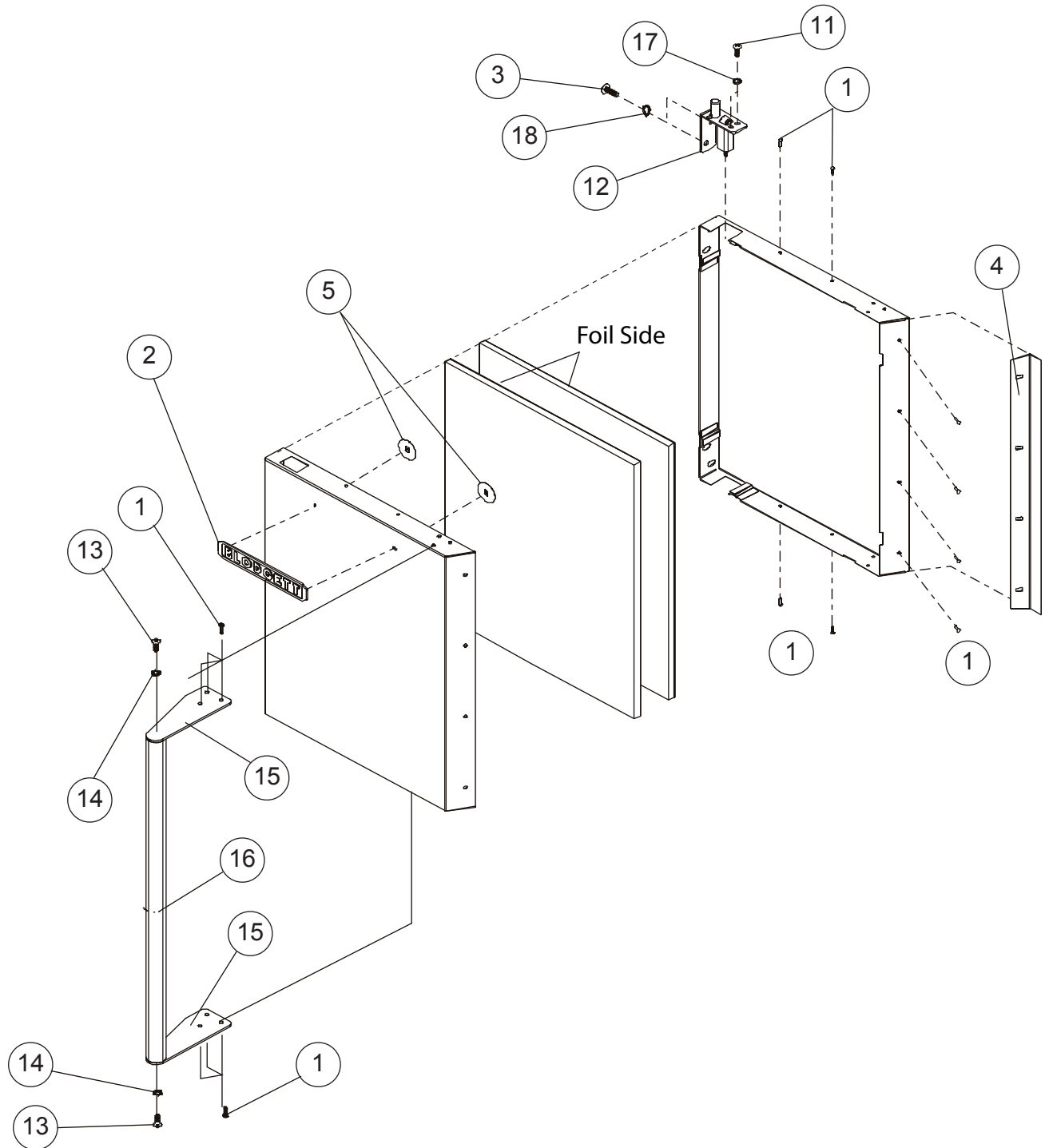
LEFT HAND GLASS DOOR ONLY



| <u>Ref. No.</u> | <u>Part No.</u> | <u>Description</u> | <u>Ref. No.</u> | <u>Part No.</u> | <u>Description</u> |
|-----------------|-----------------|-----------------------------------|-----------------|-----------------|---|
| 1 | 16384 | Screw, machine #10-24 x 0.50 | 16 | R8421 | Gasket, silicone 0.50 x 0.18 |
| 2 | 16469 | Nameplate, Blodgett | 17 | R0759 | Rivet, monobolt |
| 3 | R7586 | Screw, truss head 5/16-18 x 1.00 | 18 | R9885 | Screw, machine 5/16-18 x 1" phl oval head |
| 4 | R2160 | Nut, speed | 19 | R9886 | Washer, countersunk finishing |
| 7 | R8414 | Insulation | 20 | R9806 | Bracket, LH door handle |
| 10 | R7589 | Screw, truss head 1/4-20 x 0.75 | 21 | R9811 | Handle, LH door |
| 11 | R8298 | Window trim assembly | 22 | R9292 | Washer, bellville 1/4 |
| 12 | R8819 | Gasket, window silicone .50 x .13 | 23 | R9541 | Washer, bellville 5/16 |
| 13 | R7037 | Door bracket assy, LH top | | R10193 | Guard, window |
| 14 | R7121 | Gasket assy, center door | | R10200 | Clip, RH2 |
| 15 | R8304 | Glass, window | | R10194 | Clip, LH 2 |

DOOR COMPONENTS

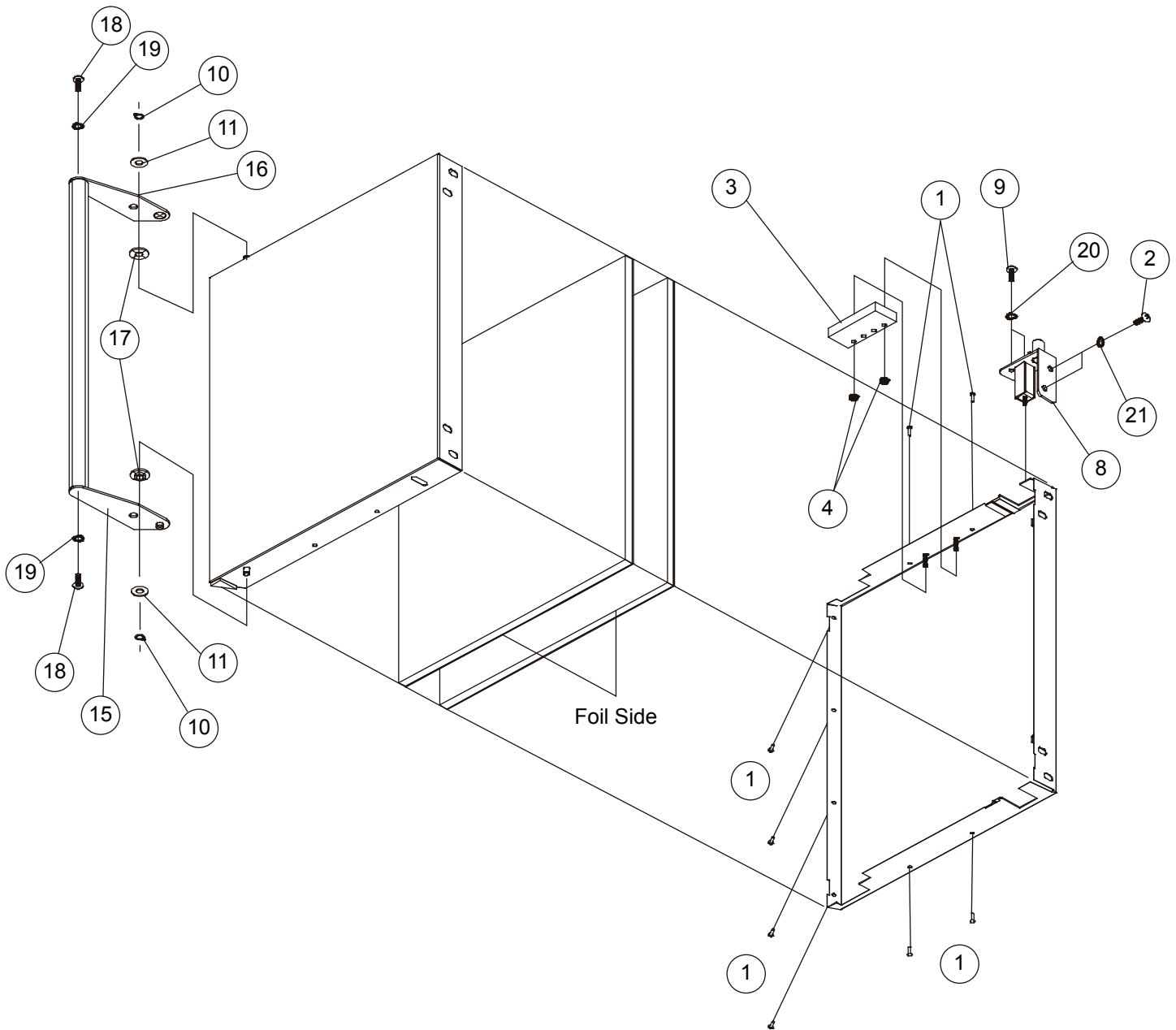
LEFT HAND SOLID DOOR ONLY



| Ref. No. | Part No. | Description | Ref. No. | Part No. | Description |
|----------|----------|----------------------------------|----------|----------|--|
| 1 | R0759 | Rivet, monobolt | 13 | R9885 | Screw, machine 5/16-18 x 1" ph oval head |
| 2 | 16469 | Nameplate, Blodgett | 14 | R9886 | Washer, countersunk finishing |
| 3 | R7586 | Screw, truss head 5/16-18 x 1.00 | 15 | R9806 | Bracket, LH door handle |
| 4 | R7121 | Gasket assy., center door | 16 | R9811 | Handle, LH door |
| 5 | R2160 | Nut, speed | 17 | R9292 | Washer, bellville 1/4 |
| 11 | R7589 | Screw, truss head 1/4-20 x 0.75 | 18 | R9541 | Washer, bellville 5/16 |
| 12 | R7037 | Door bracket assy., LH top | | | |

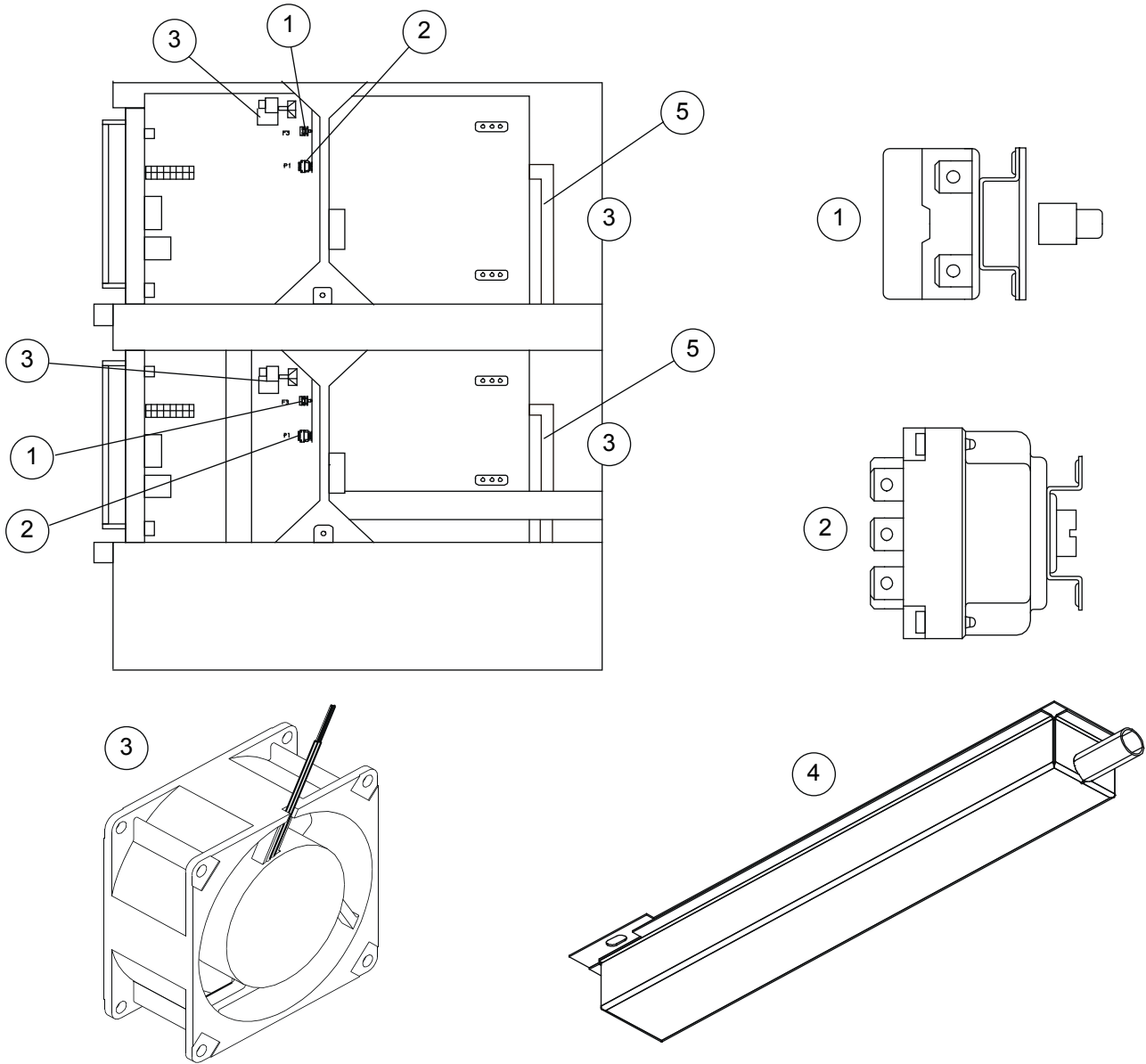
DOOR COMPONENTS

RIGHT HAND SOLID DOOR ONLY



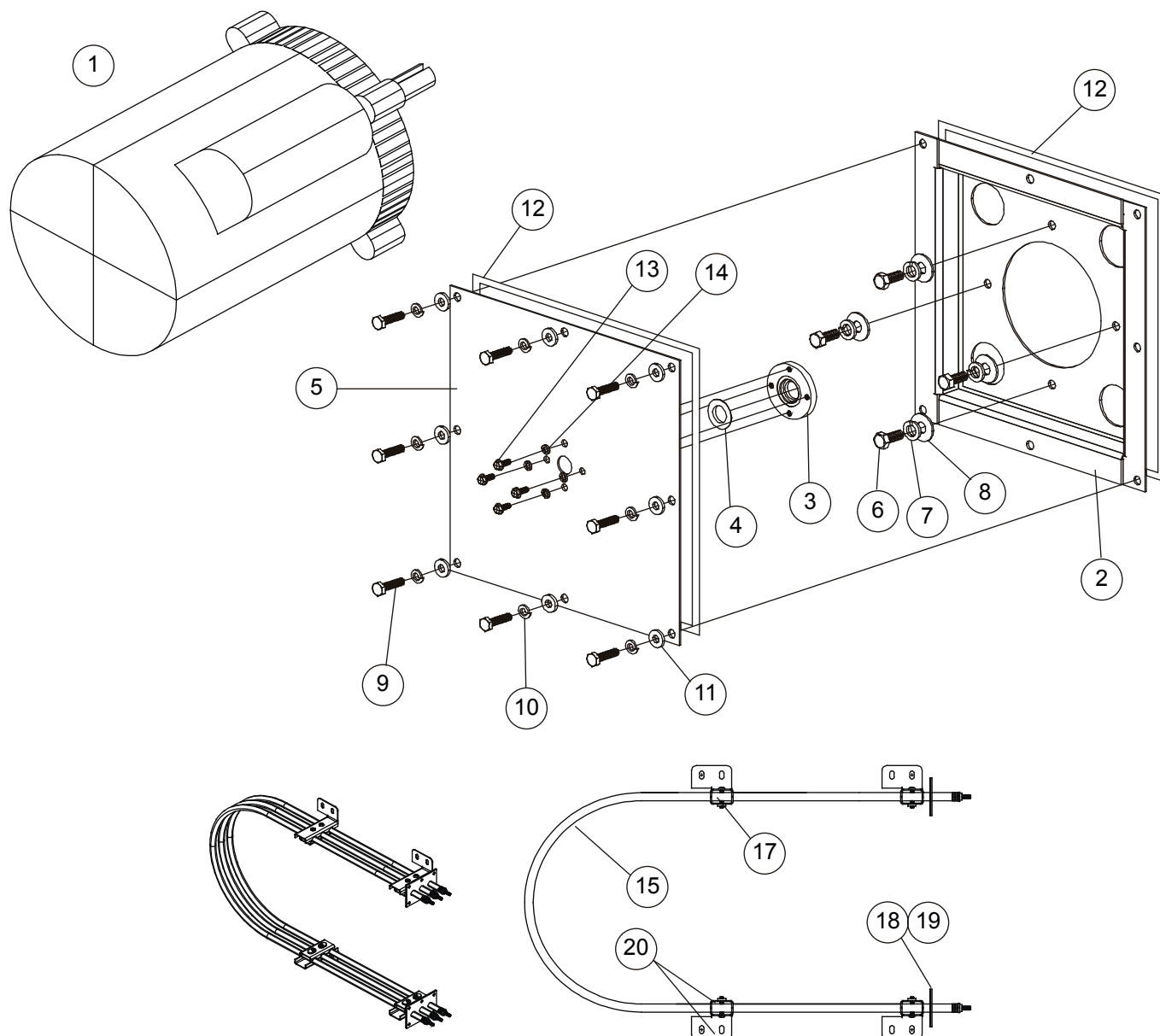
| Ref. No. | Part No. | Description | Ref. No. | Part No. | Description |
|-----------------|-----------------|----------------------------------|-----------------|-----------------|---|
| 1 | R0759 | Rivet monobolt | 15 | R9810 | Bracket assy., RH bottom door |
| 2 | R7586 | Screw, truss head 5/16-18 x 1.00 | 16 | R9809 | Bracket assy., RH top door |
| 3 | 31486 | Actuator, proximity switch | 17 | R9874 | Bearing, door handle pivot |
| 4 | M3649 | Nut, keps #10-24 | 18 | R9885 | Screw, machine 5/16-18 x 1.00 phl. oval |
| 8 | R6757 | Door bracket assy., RH top | 19 | R9886 | Washer, countersunk finishing |
| 9 | R7589 | Screw, truss head 1/4-20 x 0.75 | 20 | R9292 | Washer, Bellville 1/4 |
| 10 | R9896 | Ring, retaining | 21 | R9541 | Washer, Bellville 5/16 |
| 11 | R9876 | Washer, door pivot | | | |

ELECTRIC & STEAM SUPPLY COMPONENTS



| Ref. No. | Part No. | Description |
|-----------------|-----------------|--------------------------------------|
| 1 | R1573 | Thermostat, cooking compartment F3 |
| 2 | R2801 | Thermostat, too hot to steam P1 |
| 3 | 23034 | Cooling fan, 230V 4" axial (in rear) |
| 4 | R6780 | Quench box assy. |
| 5 | R2868 | Drain gasket, cavity |
| | R9569 | Steam line, bottom oven |
| | R10459 | Steam line, top oven |

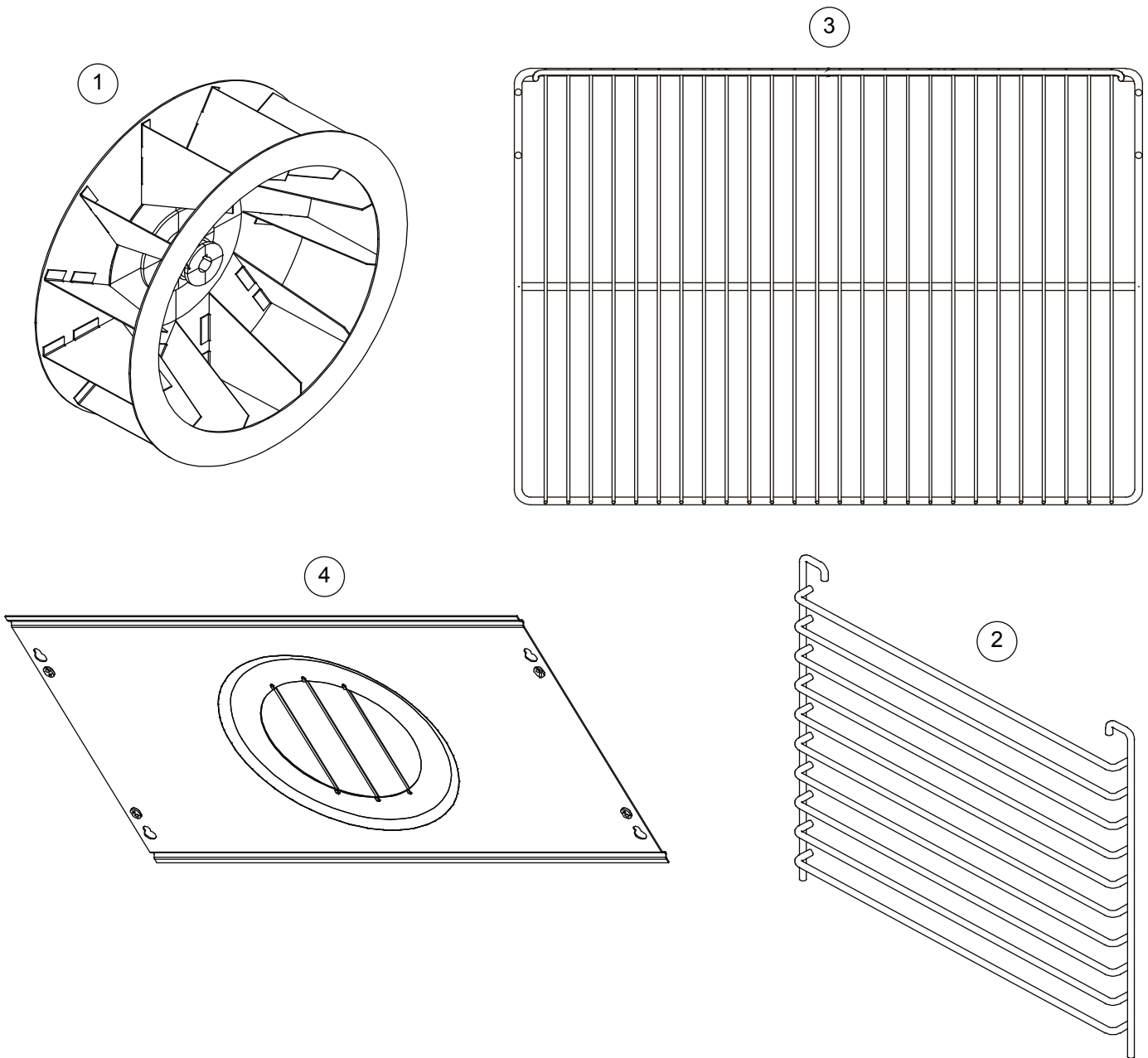
MOTOR & HOT AIR ELEMENTS



| Ref. No. | Part No. | Description |
|----------|----------|--------------------------------------|
| 1 | R5840 | Motor & plate assy |
| | R4920 | Motor, 480V |
| | R8154 | Bracket, motor mount |
| | R8955 | Retainer, seal |
| | R4244 | Seal, motor shaft |
| | R8205 | Plate, insulation cover |
| | 20559 | Bolt, 3/8-16 x 3/4 hex head |
| | M0229 | Washer, 3/8 lock |
| | R2292 | Washer, 3/8 flat |
| | R3932 | Bolt, 1/4-20 x 1 hex head |
| | M0417 | Washer, 1/4 lock |
| | R0733 | Washer, 1/4 flat |
| | R8423 | Sealant, 1/4-3/16 goretex (per foot) |

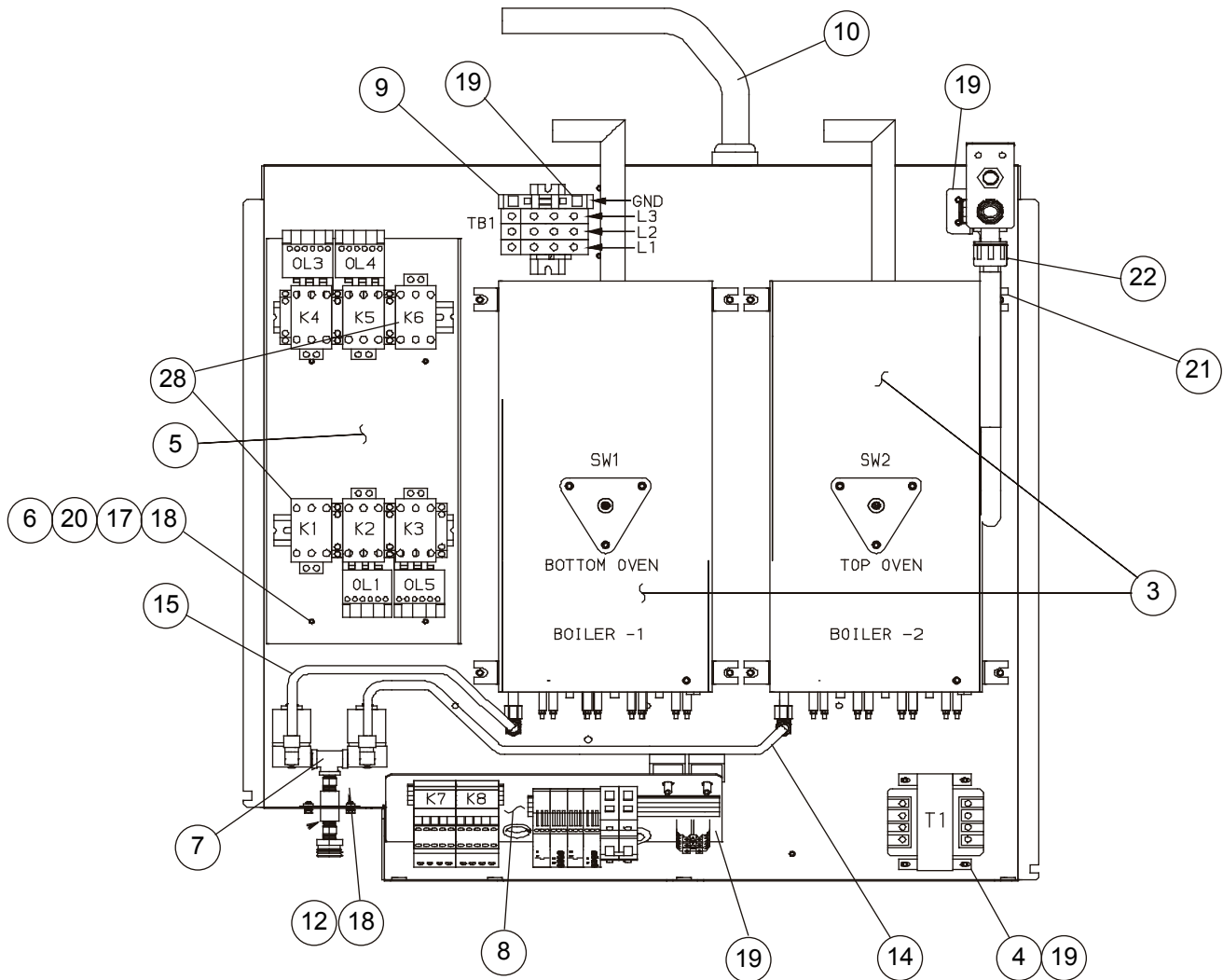
| Ref. No. | Part No. | Description |
|----------|----------|---|
| 13 | R1539 | Screw, machine 10-32 x .5 phillips head |
| 14 | R0726 | Washer, #10 lock |
| | R5769 | Tool, motor shaft alignment |
| 15 | R9743 | Element assy, hot air |
| 16 | R11073 | Bracket, element mounting top |
| | R11074 | Bracket, element mounting bottom |
| 17 | R6697 | Bracket assy, clamp |
| 18 | R7288 | Plate, element |
| 19 | R7289 | Gasket, element plate |
| 20 | R7313 | Screw, machine #8-32 x 1 |
| | R11328 | Harness, hot air element |
| | R11296 | Harness, motor |

INTERIOR COMPONENTS



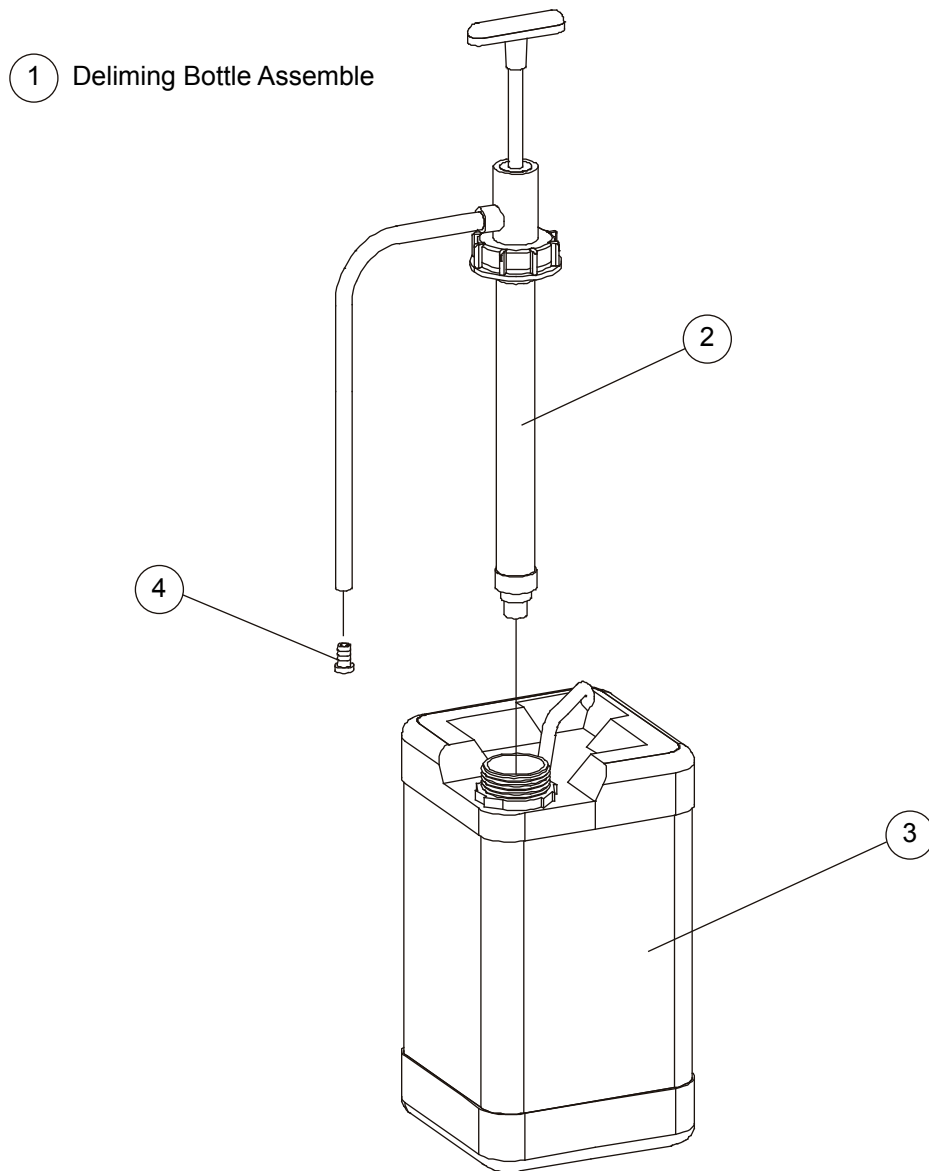
| Ref. No. | Part No. | Description |
|----------|----------|-------------------------------|
| 1 | R7049 | Blower wheel, s/s |
| | R4771 | Gasket, blower wheel mounting |
| 2 | R7219 | Rack holder |
| 3 | R3664 | Wire rack |
| 4 | R7213 | Baffle assy |

SLIDE TRAY COMPONENTS



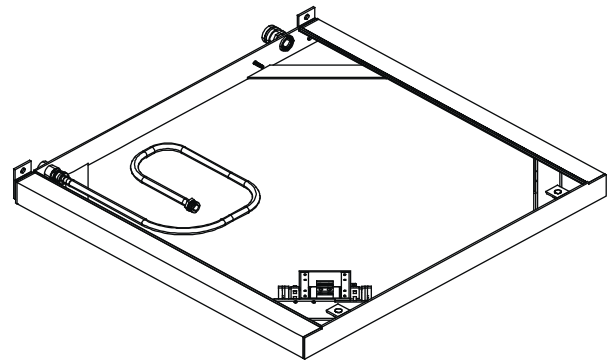
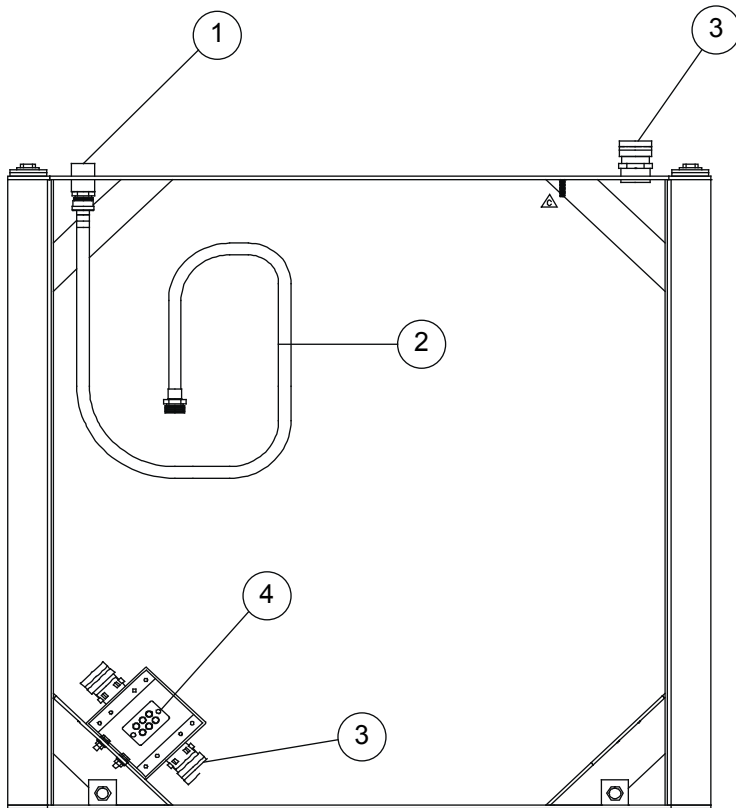
| Ref. No. | Part No. | Description | Ref. No. | Part No. | Description |
|----------|----------|---|----------|----------|--|
| 2 | R11269 | Assy, pressure regulator | 15 | R6328 | Tube, flex 18" |
| 3 | R10017 | Assembly, boiler complete | 16 | R1270 | Screw, machine M4 x 70 |
| | M0231 | Nut, hex 1/4-20 S/S | 17 | R9618 | Screw, 10 - 32 x .5 machine |
| | M0417 | Washer, lock 1/4 split | 18 | R0726 | Washer, #10 lock |
| | R0733 | Washer, flat 1/4 S/S | 19 | M3950 | Nut, 10-24 s/s flanged hex |
| | R10012 | Boiler assy., welded | 20 | M1820 | Washer, flat #10 |
| | R10029 | Ball float assy., S/S | 8 | R11253 | Motor high limit assembly & water level timers |
| | R10047 | Insulation, boiler | | R11235 | Motor contactor |
| | R6562 | Steam element | | 54889 | Motor overload protector |
| | R8071 | Probe retainer | | R11271 | Float debounce timer |
| | R10547 | Gasket, steam inlet | | R11270 | Boiler duty cycle control |
| | R8986 | Fitting, compression elbow | | R2630 | Boiler high limit |
| 4 | R2051 | Transformer, 480/240 | | R11255 | Terminal block |
| 5 | R11251 | Assembly, bracket mechanical contactors | | R11259 | Circuit breaker |
| | R11087 | Contactors, 40 amp | 26 | R10176 | Harness, steam cont. w/ground |
| | R11233 | Current protector | 27 | R11297 | Harness, base control |
| 6 | R9836 | Standoff, 10-32 x 0.75 | | R11276 | Assy., conduit wiring oven to base |
| 7 | R11386 | Solenoid assy., 208/240 1/2 way | | R11254 | Harness, motor power distribution |
| 9 | R11116 | Assembly, distribution block | 28 | R11112 | Contactors, 65 amp |
| 10 | R11231 | Cordset | | | |
| 14 | R8799 | Tube, flex 24' | | | |

DELIMING HAND PUMP COMPONENTS



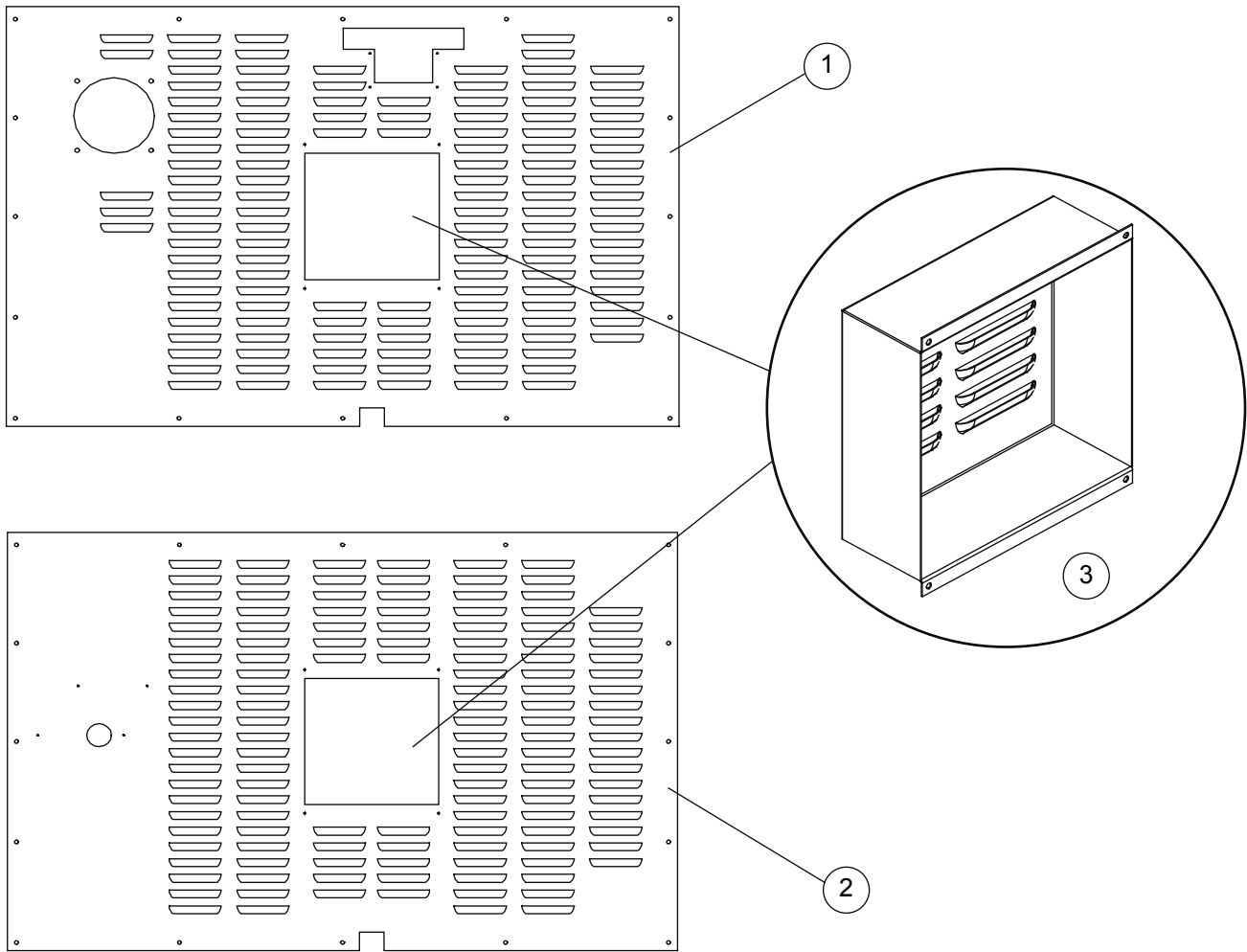
| Ref. No. | Part No. | Description |
|-----------------|-----------------|-----------------------|
| 1 | R10280 | Deliming bottle assy. |
| 2 | R8860 | Hand pump assy |
| 3 | R8861 | Bottle, deliming |
| 4 | R2999 | Filling, swivel |
| | R7750 | Washer |

INSTALLATION BASE COMPONENTS



| Ref. No. | Part No. | Description |
|-----------------|-----------------|----------------------------|
| 1 | R7749 | Fitting, male 3/4" |
| 2 | R10889 | Hose, water inlet |
| 3 | R10563 | Fitting, liquid tight cord |
| 4 | R10565 | Box, electrical |
| | R7817 | Cover, electrical box |
| | R10550 | Terminal block |
| | R10550 | Block, terminal |
| | R10564 | Box, electrical |
| | R10971 | Bracket, t-block |
| | R9586 | Nut, hex 6-32 |
| | R9588 | Screw, machine 6-32 |
| | R7599 | Spacer |
| | R7600 | Tab locking |
| | R7737 | Base, install, welded |

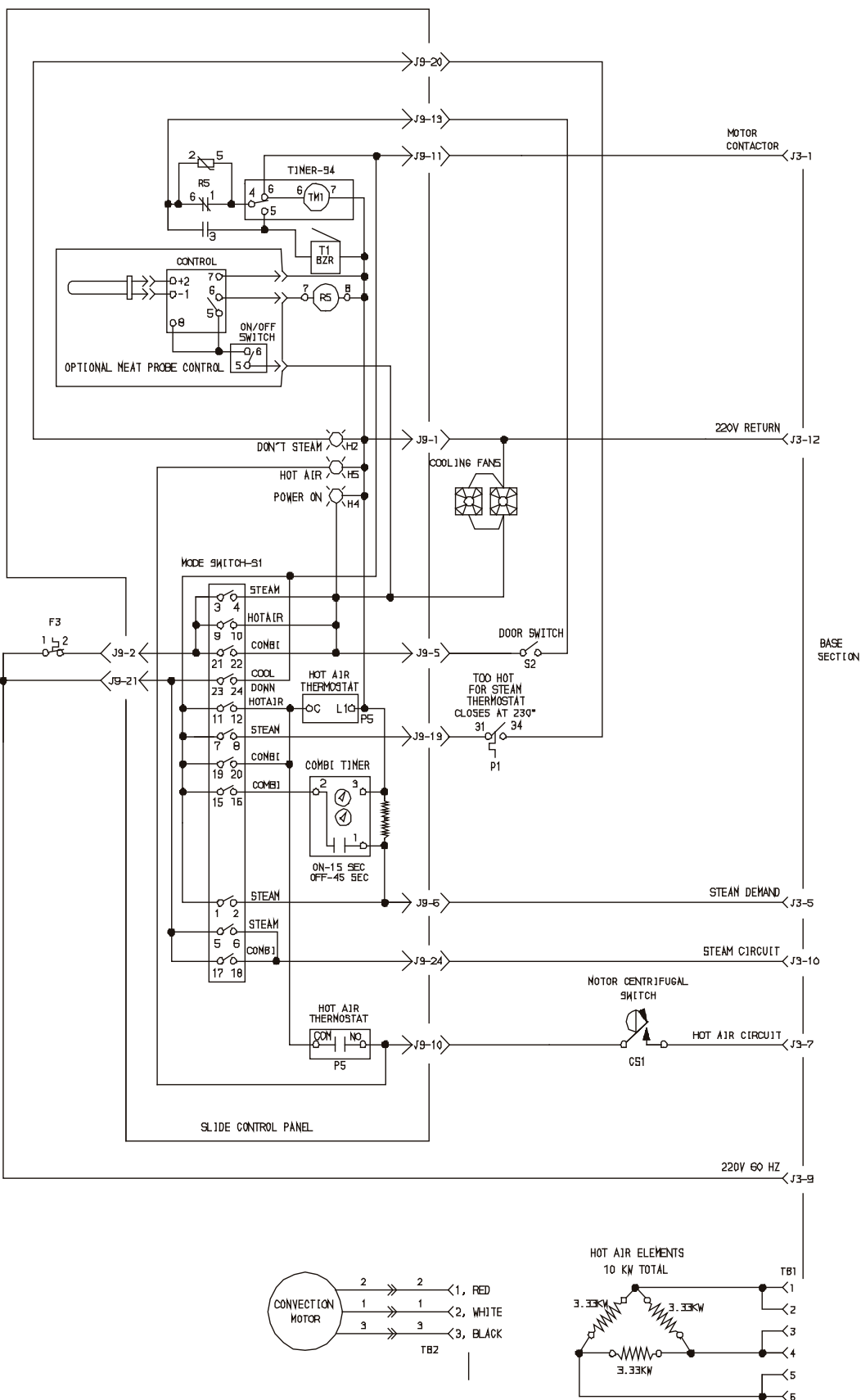
PLUMBING & VENTING COMPONENTS



| Ref. No. | Part No. | Description |
|-----------------|-----------------|------------------------------|
| 1 | R11295 | Bodyback, top oven |
| 2 | R10401 | Plate, bottom oven body back |
| 3 | R7295 | Cover, motor |
| | R10830 | Drain tube, bottom oven |
| | R10831 | Drain tube, top oven |

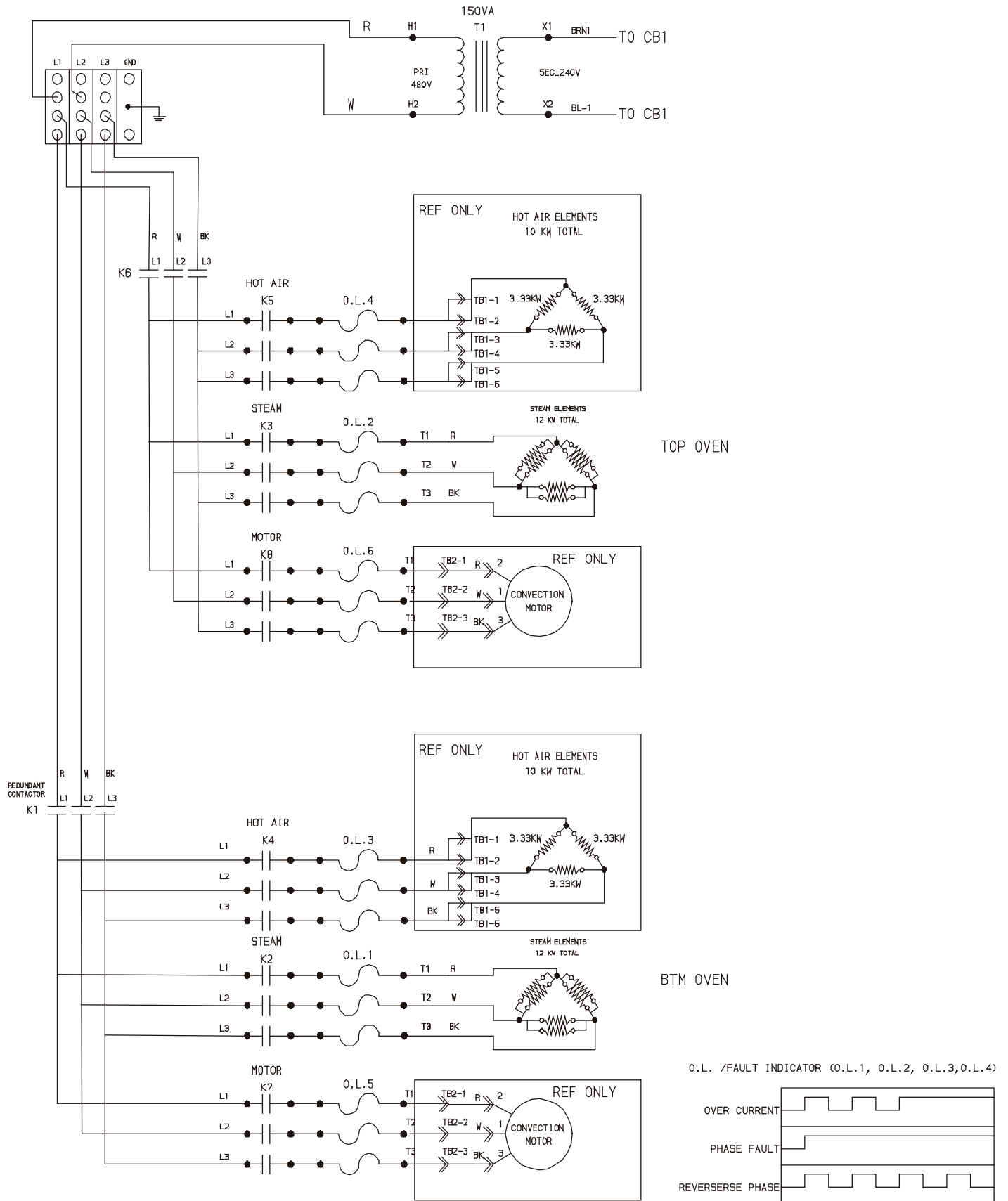
SCHEMATICS

TOP OVEN



SCHEMATICS

OVEN BASE CONTROL



SCHEMATICS

OVEN BASE POWER

