



**COS-101S
NON-SELF FLUSHING COMBI OVEN
REPLACEMENT PARTS LIST**

EFFECTIVE FEBRUARY 15, 2012

Superseding All Previous Parts Lists.

The Company reserves the right to make substitution in the event that items specified are not available.

ERRORS: Descriptive and/or typographic errors are subject to correction.

BLODGETT OVEN COMPANY

44 Lakeside Avenue, Burlington, Vermont 05401 USA Telephone: (802) 658-6600 Fax: (802) 860-3732
www.blodgett.com

P/N 55185 Rev A

SERIAL NUMBER LOCATION / KEY:

IMPORTANT: When ordering parts, please provide the model, gas type, voltage and serial number of the oven. The identification plate is located on the left side of the control compartment.

SERIAL NUMBERS CONTAINING:

F

HF

EXAMPLE:

021896HF023S

TO OBTAIN LITERATURE:

Email: literature@blodgett.com

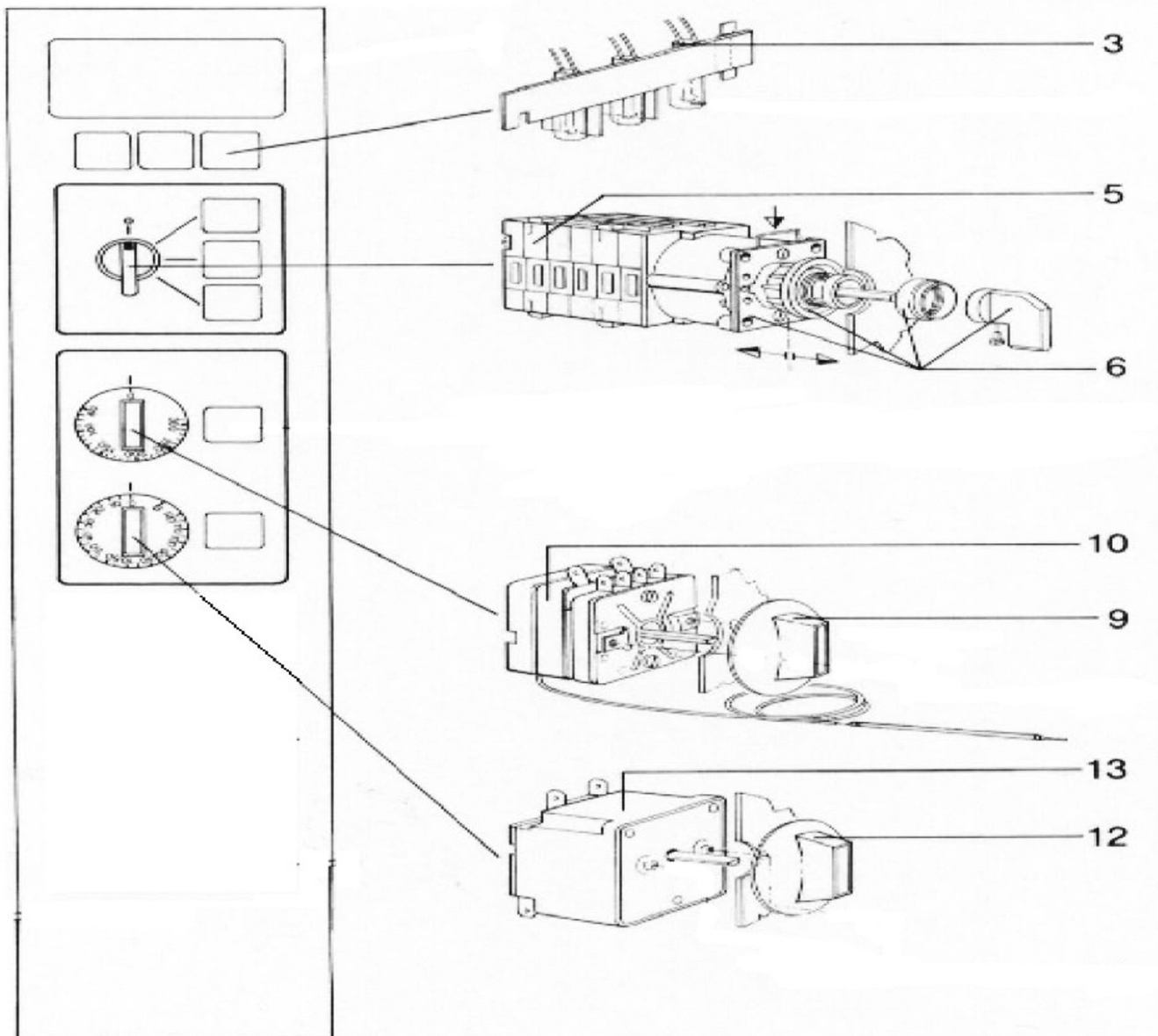
or visit

www.blodgett.com

TABLE OF CONTENTS

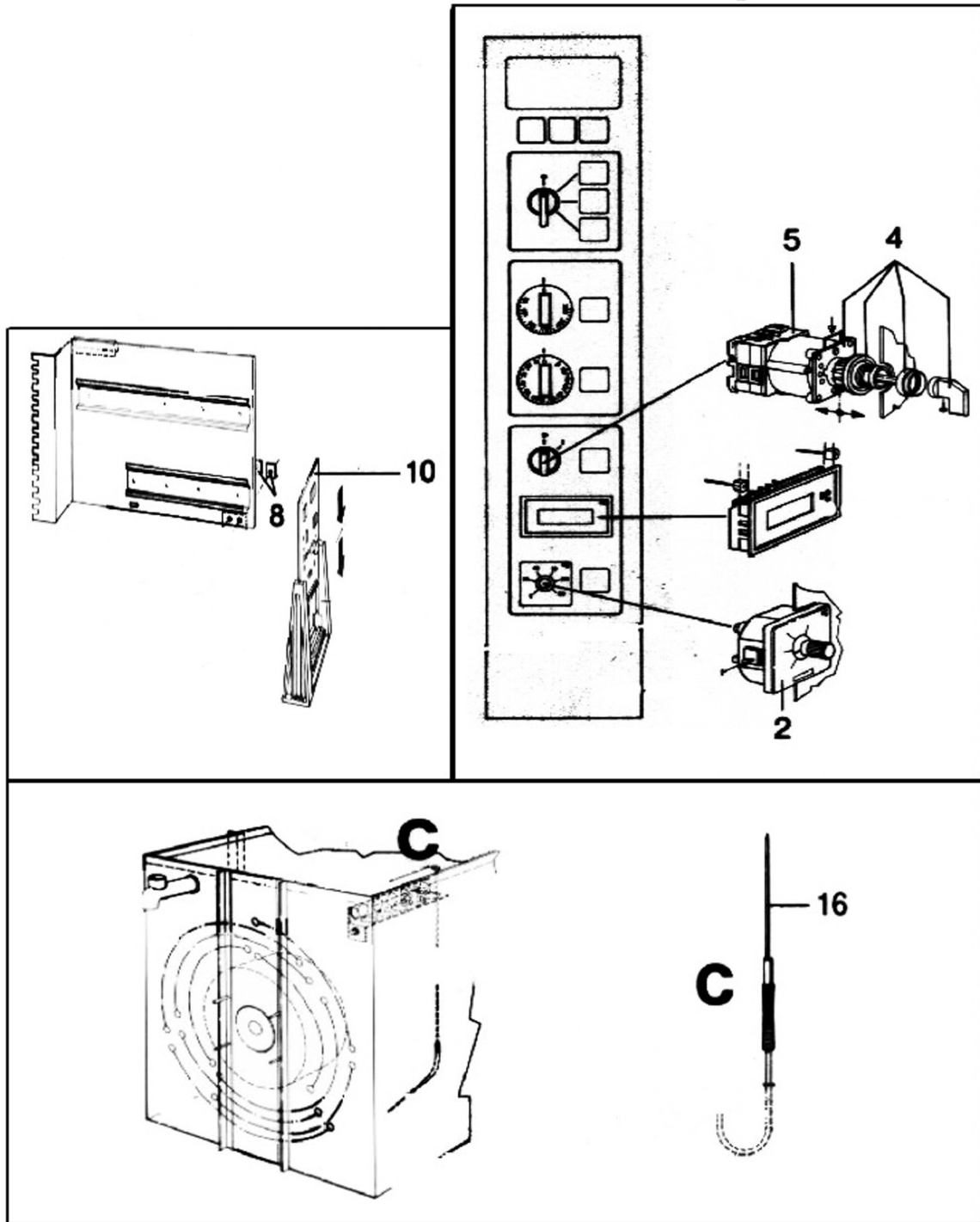
CONTROL PANEL	PAGE 4
STANDARD CONTROL W/OPTIONAL MEAT PROBE	PAGE 5
ELECTRICAL COMPONENTS	PAGE 6
DOOR COMPONENTS	PAGE 8
MOTOR COMPONENTS	PAGE 9
INTERIOR COMPONENTS	PAGE 10
STEAM GENERATOR COMPONENTS	PAGE 12
PLUMBING COMPONENTS	PAGE 14

CONTROL PANEL



Ref. No.	Part No.	Description
3	R0135	Socket, control lamp (for use on very early models)
	R0226	Indicator light, clear
	R1318	Indicator light, green
5	R0069	Mode Switch, 4 position, S2
	R0074	Shaft assy, mode switch
6	R0364	Knob, mode switch w/ring
9	R0116	Knob, Thermostat
10	R1178	Thermostat, hot air w/knob & screws P5
12	R0115	Knob, Timer
13	R1182	Timer, 120 minutes w/knob & screws S3

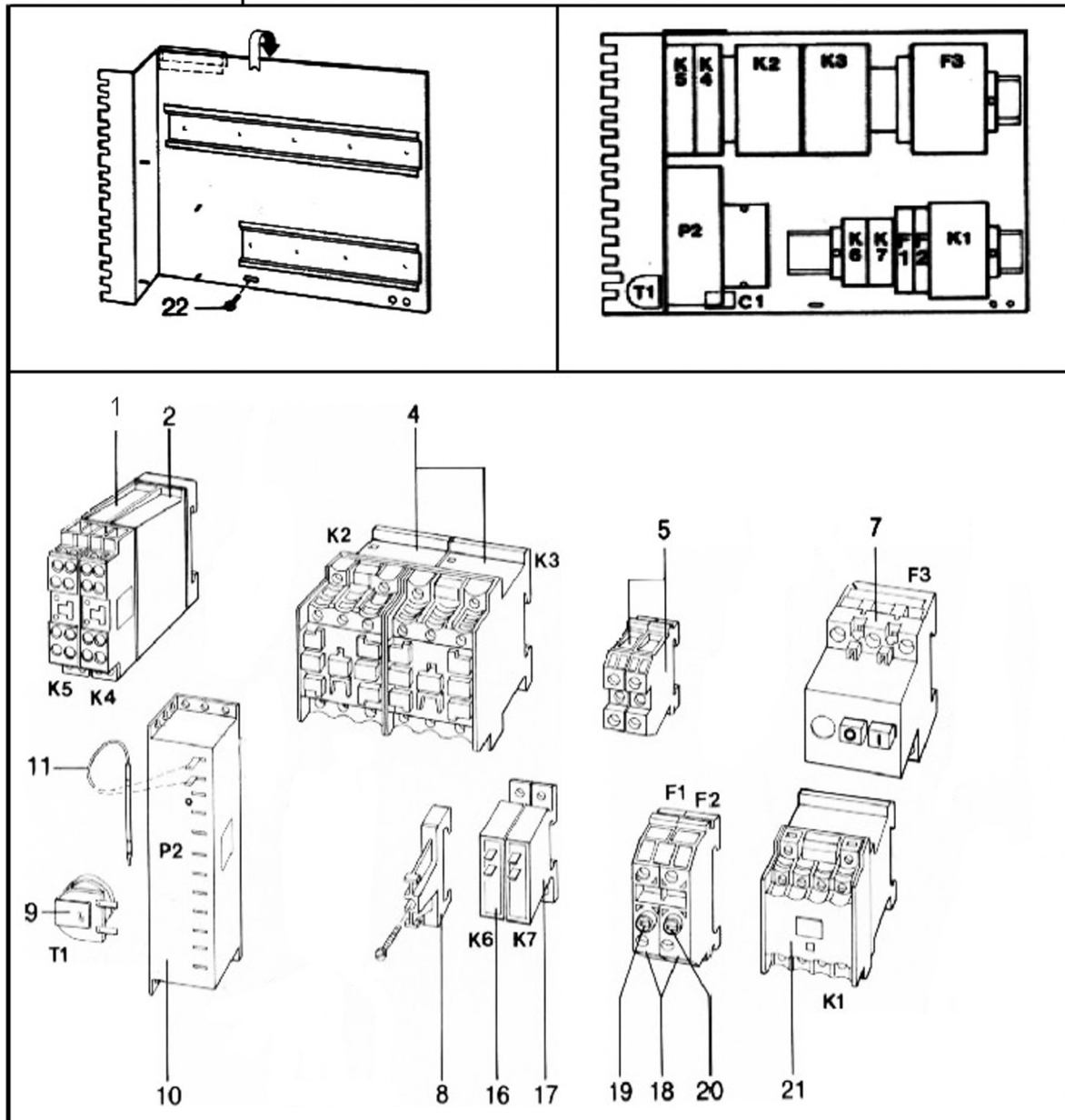
STANDARD CONTROL W/OPTIONAL MEAT PROBE



Ref. No.	Part No.	Description
4	R0364	Knob assy, on/off switch (Pre 1986)
5	R4622	Switch, on/off meat probe S5 (Pre 1986)
5	R5686	Switch, on/off meat probe (After 1986)
10	R0148	Thermostat, meat probe 208V (Pre 1986)
10	R0149	Thermostat, meat probe 240V (Pre 1986)
10	R6746	Retrofit kit, meat probe controller (Pre 1986)

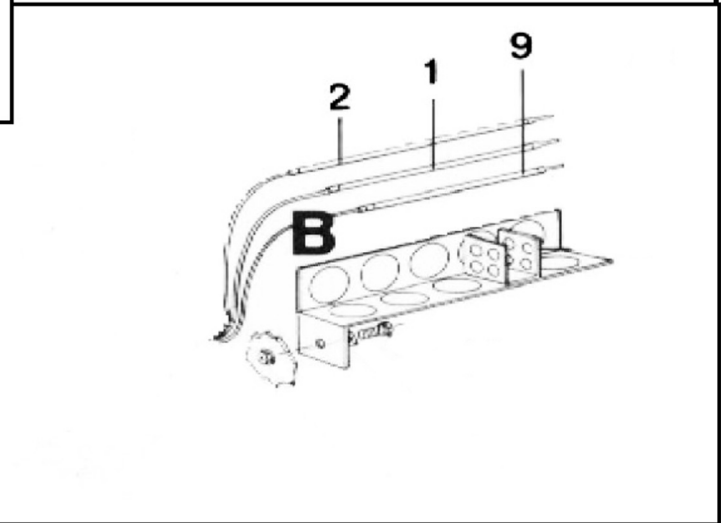
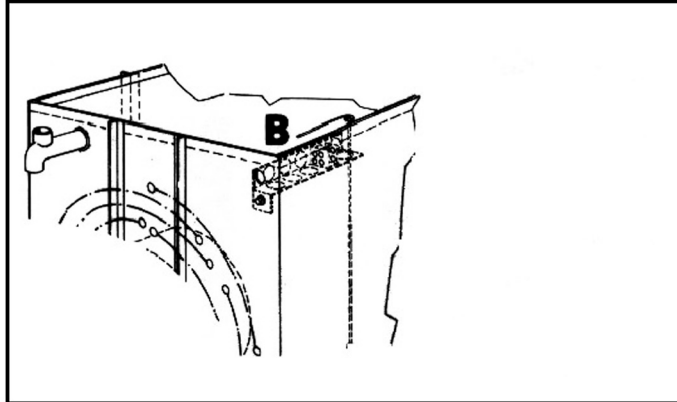
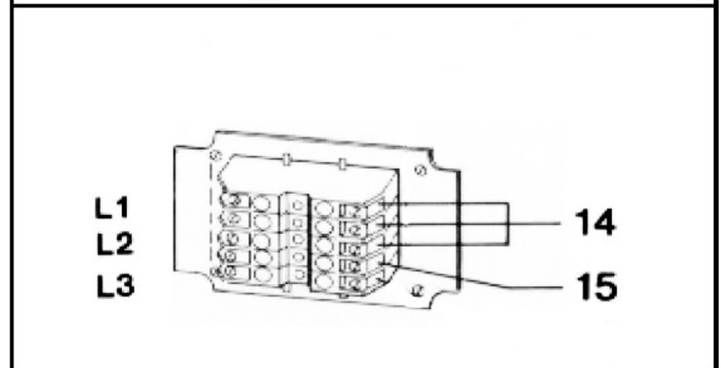
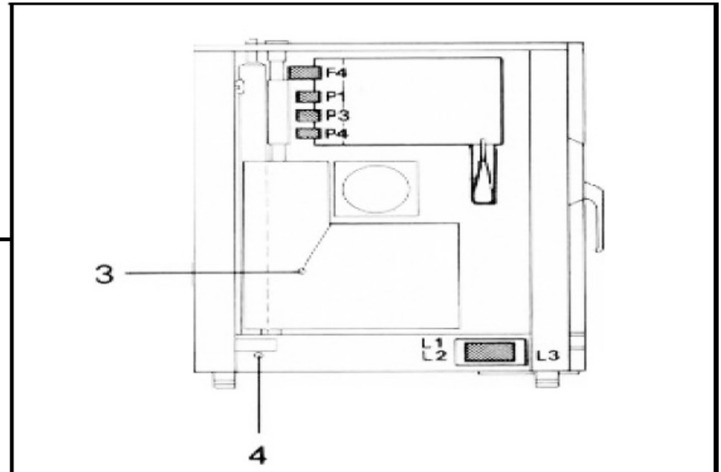
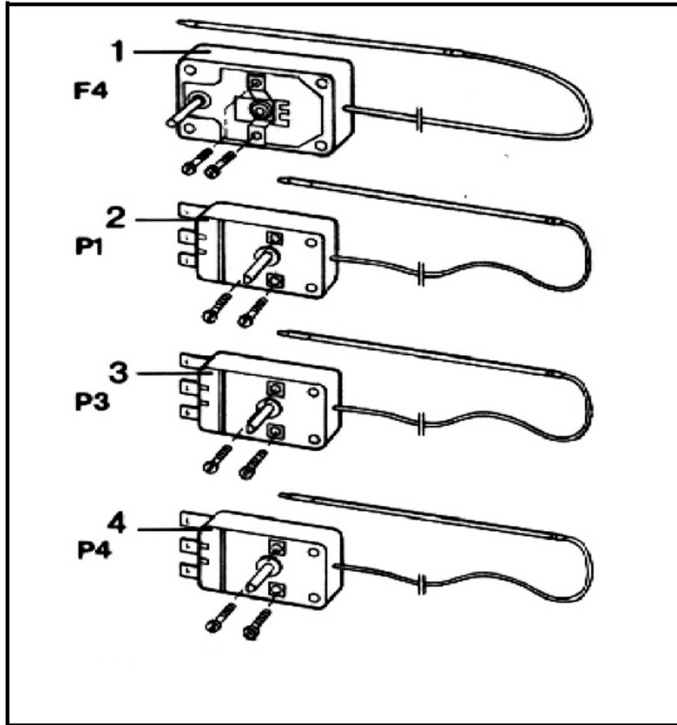
Ref. No.	Part No.	Description
16	R5242	Controller only, meat probe (After 1986)
16	R0247	Sensor, meat probe s/s spiral (Pre 1986) E4
16	R5317	Retrofit kit, sensor spiral to plug in type
16	R5315	Sensor, meat probe plug in type (After 1986)
16	R5219	Panel jack, sensor plug in
16	R6988	Suppressor arc, meat probe

ELECTRICAL COMPONENTS



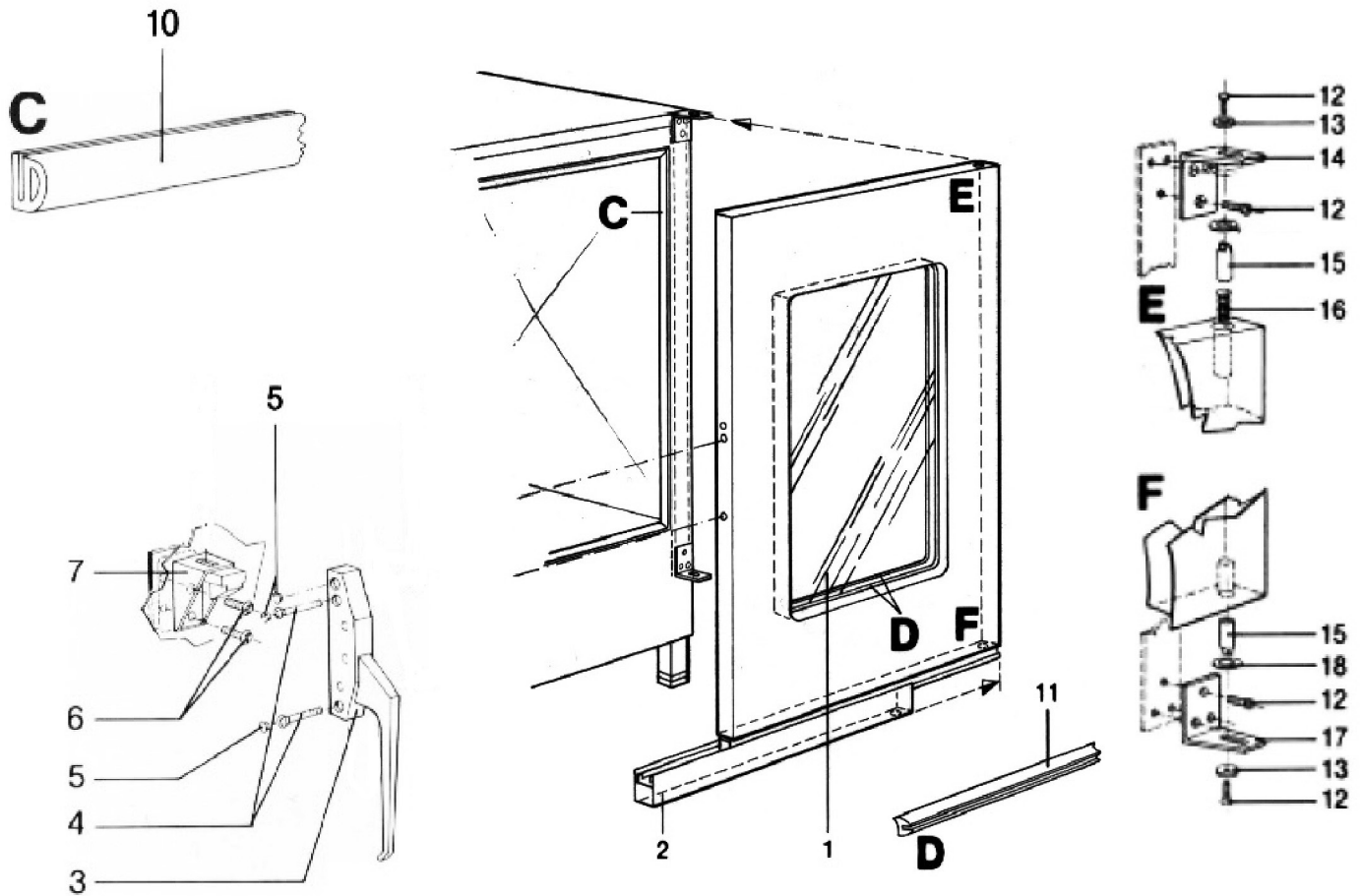
Ref. No.	Part No.	Description	Ref. No.	Part No.	Description
1	R2506	Relay, time delay (Generator Fill) K5	11	R0022	Sensor, temperature, steam P2
2	R2506	Relay, time delay (Low Water) K4	16	R7652	Relay, time delay (Blinker) K6
	R0143	Contactora, mechanical, air or steam, 240V, K2 K3	17	R2506	Relay, time delay (Motor Start Delay) K7
	R1571	Retrofit kit, mechanical to mercury K2 K3	18	R1581	Holder, fuse 2 and 3 amp push in type
	38559	Contactora, mercury, hot air or steam, 60 amp		20163	Holder, fuse 3 amp twist lock type
	R1808	Auxillary contactora, mercury		R0029	Holder, fuse 6 amp
5	R1586	Terminal block, grey power	19	R0030	Fuse, 6 amp KTNR6, F2
7	R0291	Protector, motor PKZ00 Auto Reset F3 Pre'91	20	R0032	Fuse, 3 amp SC3, F1
	R0261	Protector, motor PKZM On/Off Reset F3 After'91		R0043	Fuse, 3 amp KTKR3, F1 (Canada Only)
9	R9498	Buzzer		R5774	Fuse, 2 amp 600V
10	R1443	Controller, solid state steam P2		R5773	Fuse, 1 amp 600V FNQR1
	R1440	Plastic channel, P2	21	51692	Contactora, motor 208V, K1
				51693	Contactora, motor 240V, K1
				23034	Cooling fan, axial
				M0572	Plug/cord, cooling fan

ELECTRICAL COMPONENTS



Ref. No.	Part No.	Description
1	R1573	Thermostat, Cooking Compartment F4
2	R0121	Thermostat, Too Hot To Steam, P1
3	R0118	Thermostat, Pre Heat Priority, P3
4	R0122	Thermostat, Quench, P4
9	R1178	Thermostat, hot air P5
14	R1586	Terminal Block, Power
15	R1586	Terminal Block, Power
	R2039	Thermostat, fan control high limit
	R2040	Thermostat, stack high limit
	R2051	Transformer, 480V

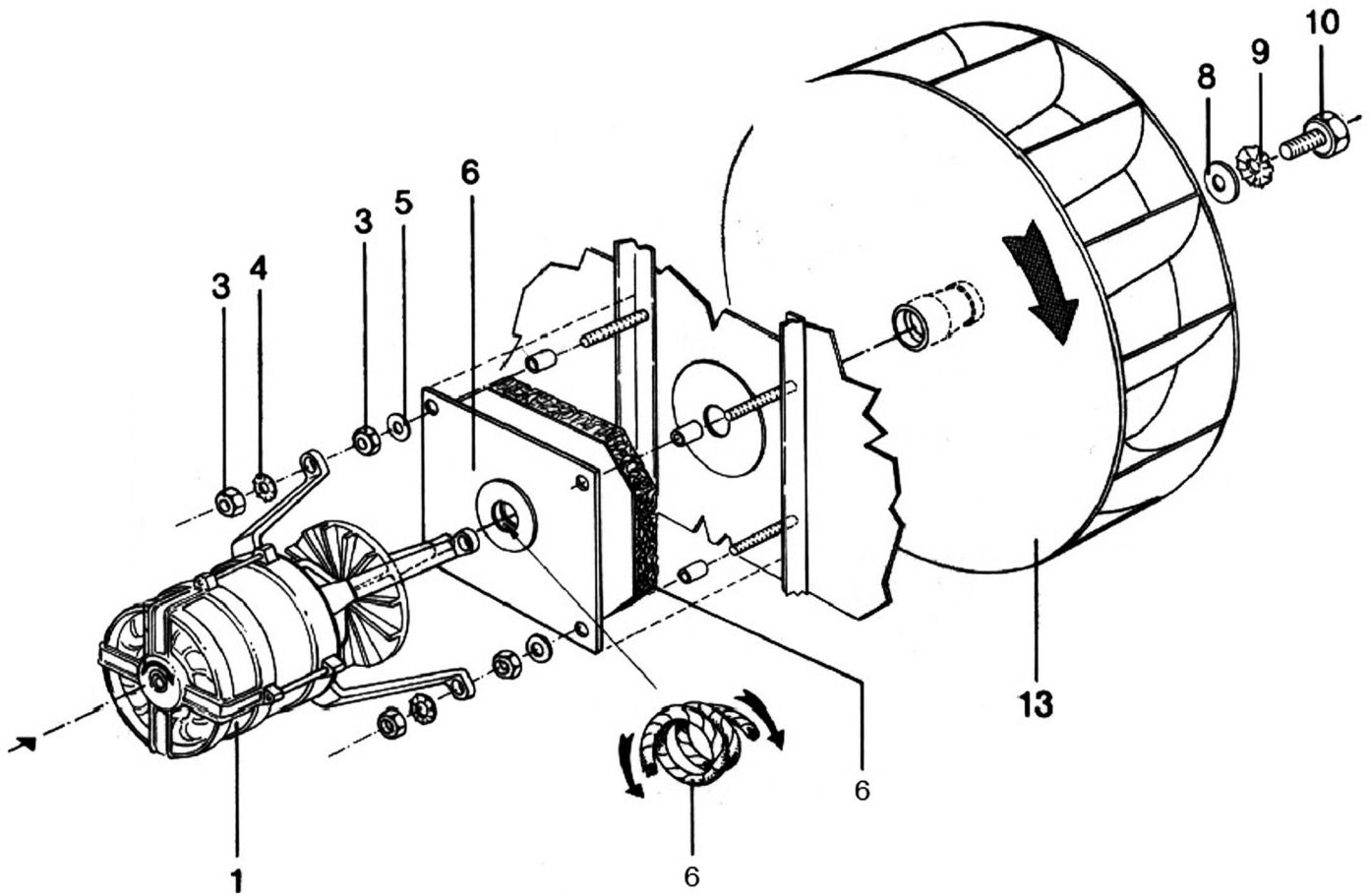
DOOR COMPONENTS



Ref. No.	Part No.	Description
1	R5797	Glass, door
2	R1409	Trough, door drip
	R3090	Holder, drip trough
	R1278	Rivets, trough holder
3	R6313	Handle, door (after 120198)
	R7833	Handle Retrofit, door (before 120198)
	R7830	Plate, handle (after 120198)
	R2369	Plate, handle (before 120198) (stripped hole)
	R1452	Plate, shim handle (before 120198)
4	R1286	Screw, handle (before 120198)
5	R1795	Cap, handle screw (before 120198)

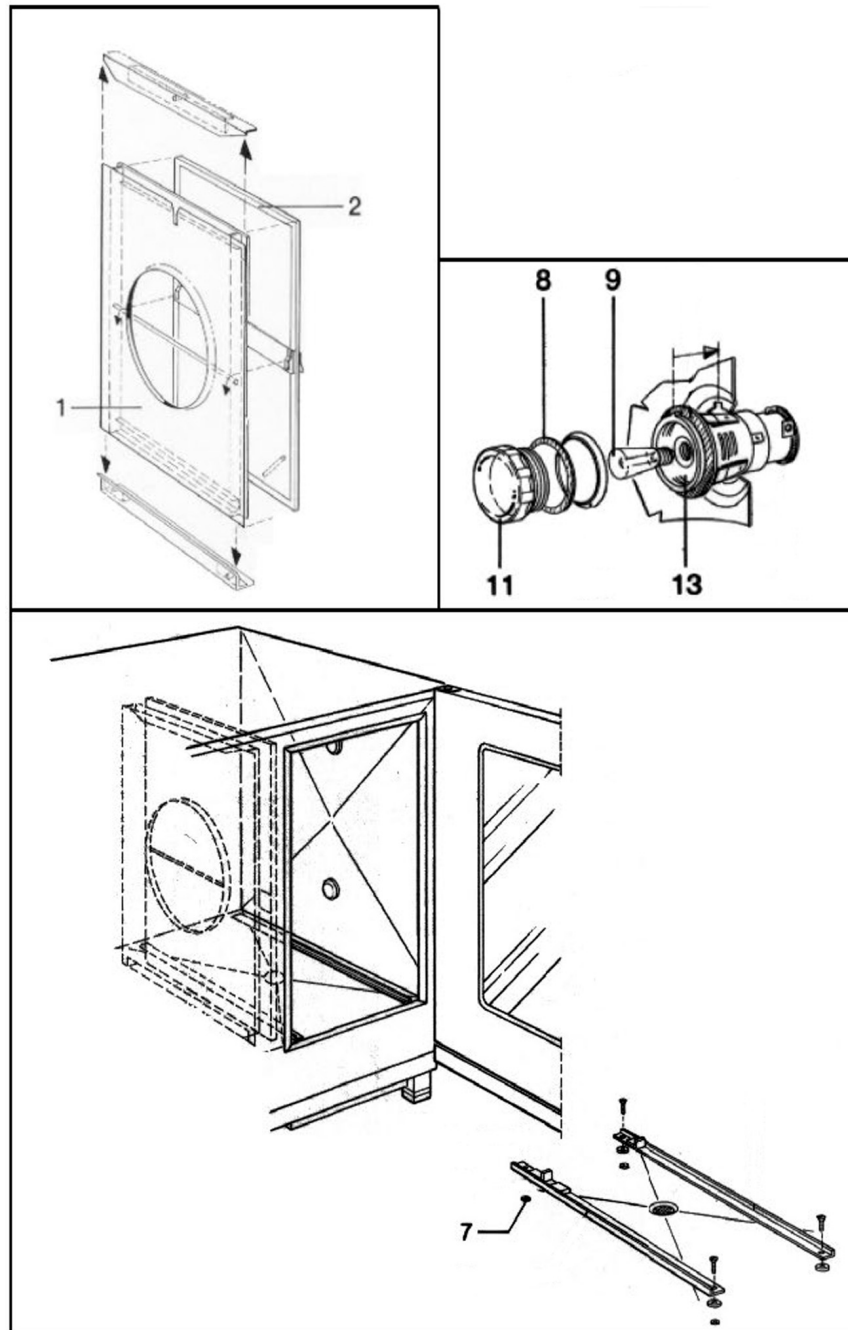
Ref. No.	Part No.	Description
6	R0025	Screw, door catch
7	R2296	Catch, door (w/hardware)
10	R3015	Gasket, door
11	R2105	Gasket, door glass (per foot)
	R1472	Rivets, 1/8" for window frame
12	R2398	Screw, socket head cap
13	R2292	Washer, hinge
14	R1339	Bracket, hinge top
15	R3397	Pin, hinge
16	R0047	Spring, compression, hinge pin
17	R1340	Bracket, hinge bottom

MOTOR COMPONENTS



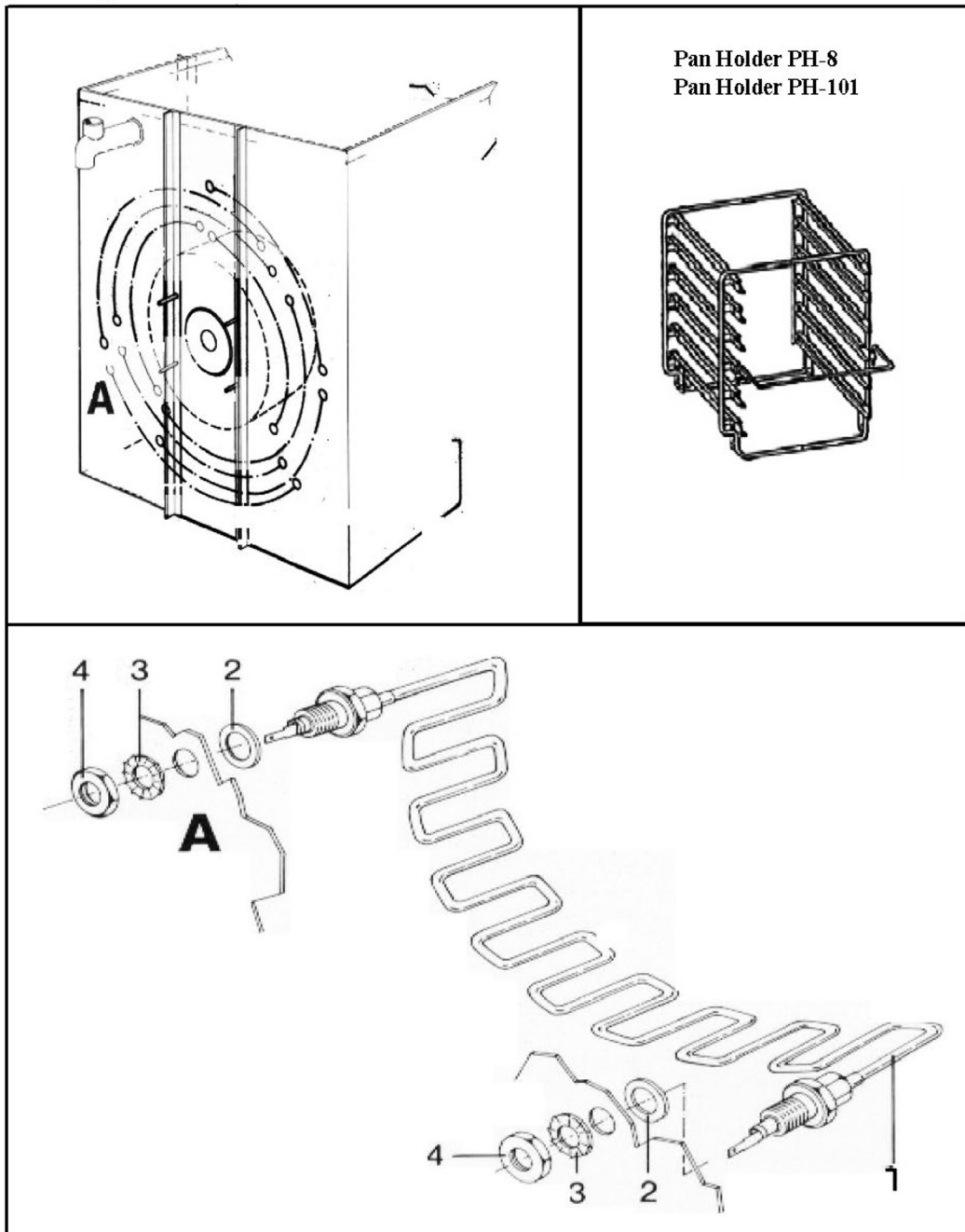
Ref. No.	Part No.	Description
1	R0092	Motor, 208/240V, 3ph
	R0079	Motor, 240V, 1ph
	R0081	Motor, 480V, 3ph
	R3025	Heat slinger, motor
3	R0714	Nut, hex motor mounting
4	8532	Washer, toothed lock
5	R0231	Washer
6	R2328	Packing, motor shaft
8	R0232	Washer, blower wheel
9	R0233	Washer, toothed lock, blower wheel
10	R0034	Screw, hex, blower wheel
13	R3699	Blower wheel
	R2425	Capacitor, motor start 6mfd
	R2012	Cover, capacitor
	R2010	Bracket
	15882	Nut, 1/4-20
	1265	Washer, lock

INTERIOR COMPONENTS



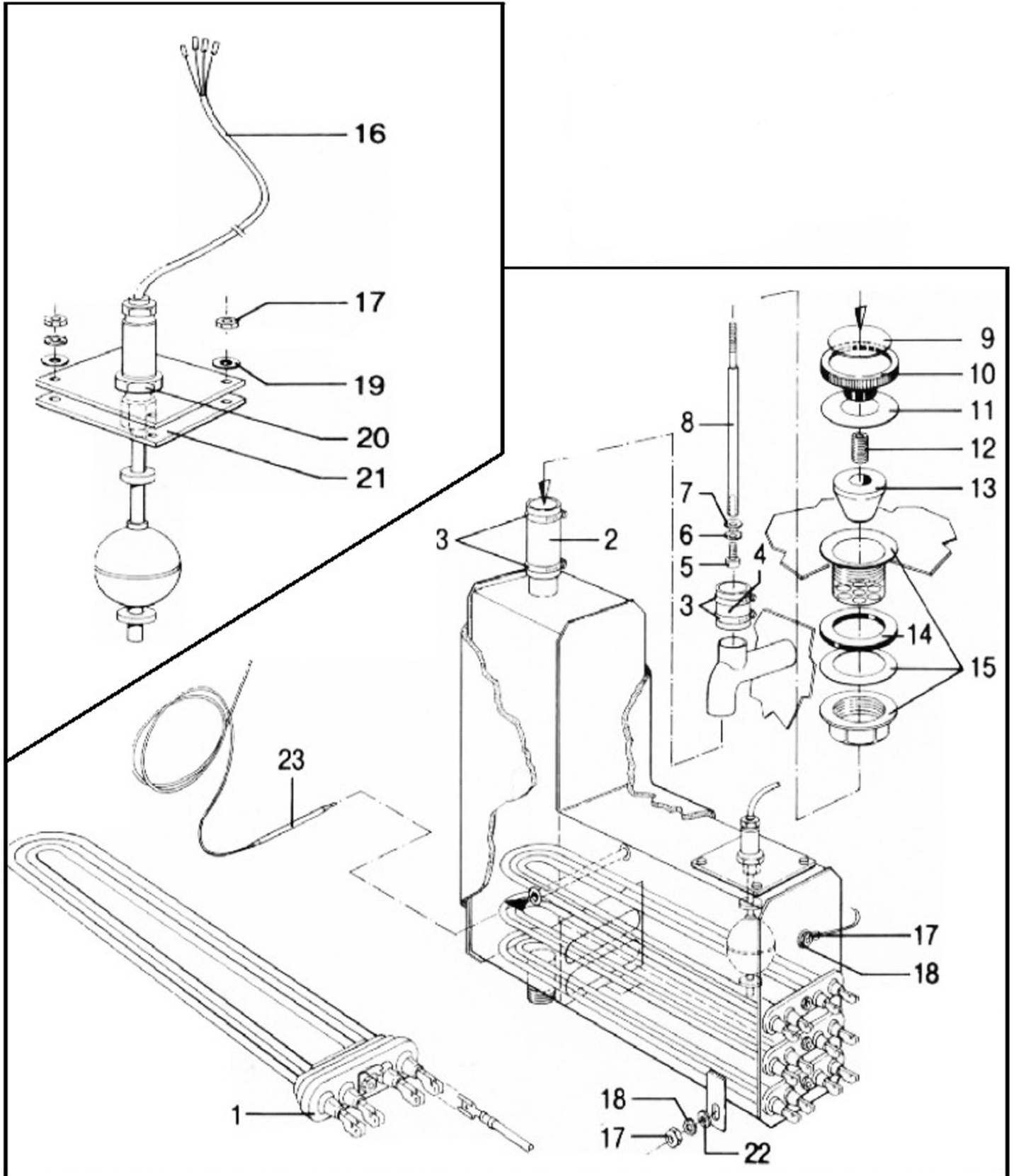
Ref. No.	Part No.	Description
1	R0131	Interior lamp, complete
	R1522	Baffle, air, w/out meat probe holder
	3136	Bolt, air baffle
	R0733	Washer, air baffle
2	R3760	Filter, grease (12"x12")
	R8129	Retrofit kit, filter and baffle
7	R0712	Nut, rivet
8	R1497	Gasket, lamp lens
9	R0133	Bulb, heat-resistant
11	R1496	Lens, lamp
	R1498	Lens Assy, w/gasket
13	R0132	Socket, lamp

INTERIOR COMPONENTS



Ref. No.	Part No.	Description
	R7869	Pan Holder PH-8
	R7870	Pan Holder PH-101
1	R3649	Elements, hot air 208V
	R3650	Elements, hot air 240V
	R3651	Elements, hot air 480V
2	R0100	Nut, element mounting
3	R0098	Washer, element hot air
4	R0099	Washer, external tooth hot air

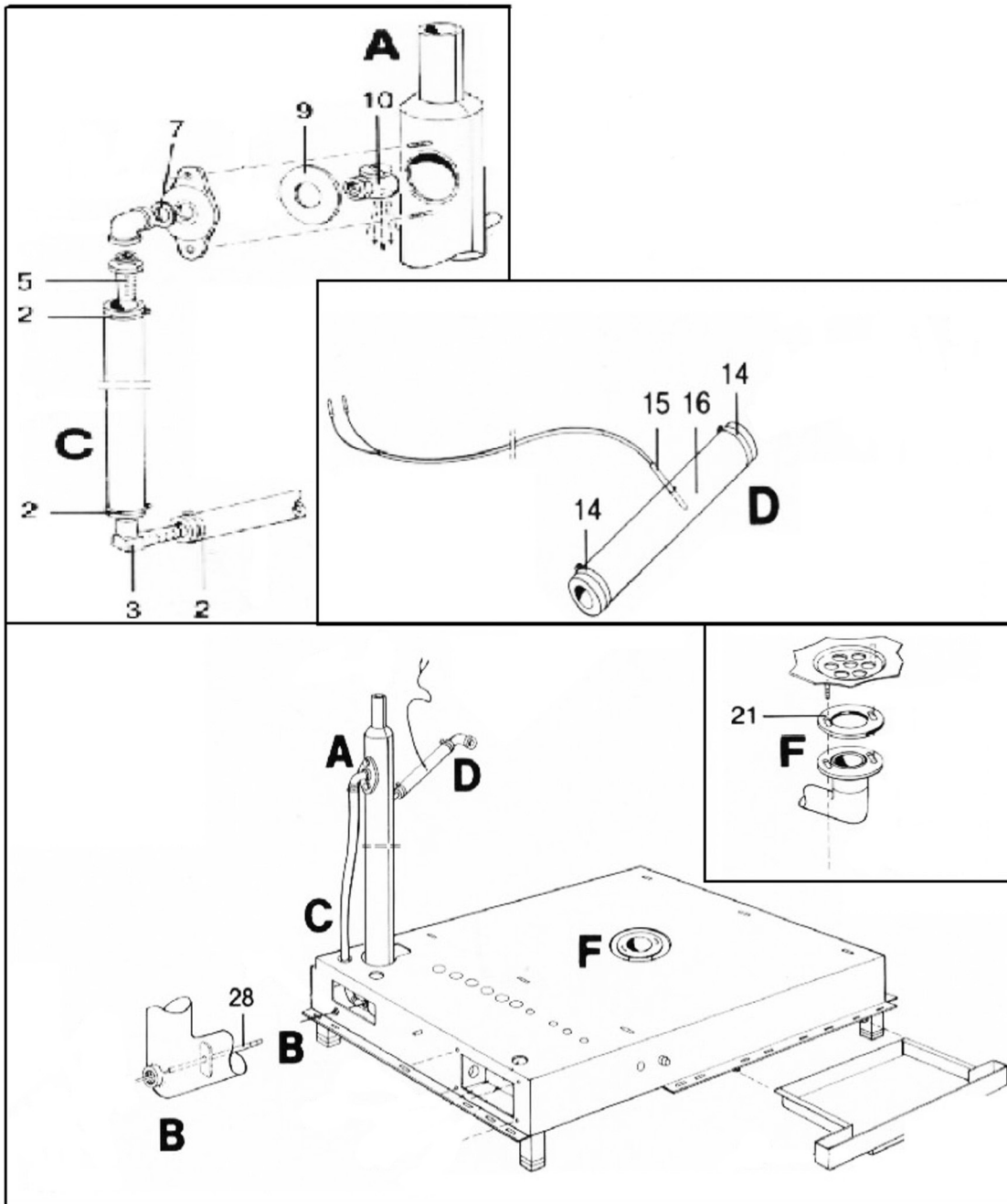
STEAM GENERATOR COMPONENTS



STEAM GENERATOR COMPONENTS

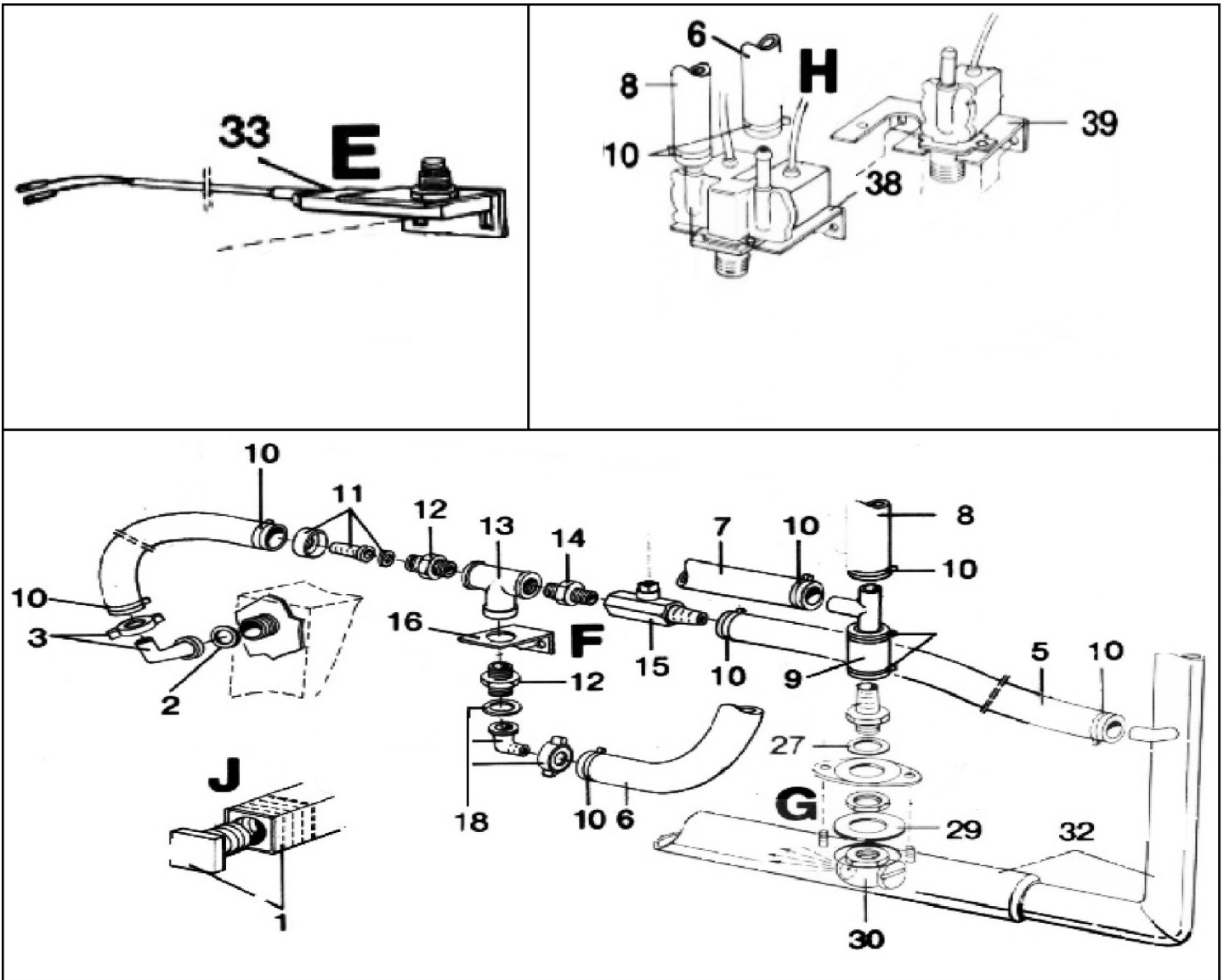
Ref. No.	Part No.	Description
	R0207	Valve assy, decalcifier inlet
	R0203	Steam generator w/insulation & hi limit
1	R2768	Element Assy, Steam 208V3kw
	R2771	Element Assy, Steam 240V 3kw
	R2770	Element Assy, Steam 480V 3kw
2	R2814	Hose, steam outlet 1-3/8" ID (per foot)
3	R0082	Clamp, hose
4	R2814	Hose, 1-3/8" ID (per foot)
	NOTE:	Items 5-15 are included in assembly R0207
5		Screw, hex socket head
6		Washer, spring
7		Washer
8		Guide bar
9		Cover, plate aluminum
10		Handle, plastic, safety valve
11		Gasket
12		Thread insert
13		Cone, safety valve
14		Gasket
15		Valve body, safety
	R8397	Level Switch Assy Retrofit
16	R2329	Float Switch Assy
	R0920	Plate, float switch
17	R0035	Nut, hex switch plate
	15882	Nut, hex 1/4-20 level switch plate
19	1265	Washer
20	R0071	Nut, hex switch plate
21	R1491	Gasket, float switch
22	R0733	Washer, flat strap
23	R1480	Thermostat, high limit

PLUMBING COMPONENTS



<u>Ref. No.</u>	<u>Part No.</u>	<u>Description</u>
2	R0080	Clamp, hose
3	R1086	Elbow, fitting
	R1085	Washer, elbow
5	R5071	Fitting, hose 3/8"
7	R0068	Gasket
9	R3755	Gasket
10	R3643	Nozzle, quench
14	R0080	Clamp, hose
15	R0022	Sensor, steam controller P2
16	R2814	Hose, silicon 42mm (per foot)
	R0082	Clamp, hose
21	R1672	Gasket, drain
28	R0122	Thermostat, quench

PLUMBING COMPONENTS



Ref. No.	Part No.	Description	Ref. No.	Part No.	Description
1	R0070	Foot, adjustable	16	R2017	Holder, T-fitting
2	R1086	Seal ring, elbow fitting	18		Elbow, fitting 3/4"
3	R1085	Elbow, fitting 3/4"	27	R0068	Gasket
5	R2812	Hose, 10mm (per foot)	29	R3755	Gasket
6	R2812	Hose, 10mm (per foot)	30	R3643	Nozzle, quench
7	R2812	Hose, 10mm (per foot)	32	R1037	Drain system complete (atmospheric vented)
8	R2812	Hose, 10mm (per foot)	33	R0225	Switch, door
9	R2812	Hose, 10mm (per foot)		R2844	Pin, actuator
10	R0080	Clamp, hose		R1417	Screw, shoulder 1/4-20 x 5/16" (kit)
				R0391	Insert, 1/4-20 (kit)
				R1585	Insert, 1/4-20 (kit)
				R2522	Solenoid Valve, dual
				R2997	Solenoid Valve, Conversion kit single to double
			38	R2567	Holder, double solenoid valve
				R2202	Boot, drain manifold connecting 2"
				R2207	Clamps, drain boot
				R11210	Pressure regulator
11		Fitting, 3/4"			
12		Nipple, 1/2" x 3/4"			
13	R1901	T-Fitting 1/2"			
14	R1918	Double nipple, 1/2"			
15	R0076	Ball Valve			
		Elbow, generator drain valve			

NOTE: Items 11, 12, 13 and 16 are included in assembly R1918